

NE59J7750WS

5.9 cu. ft. Freestanding Flex Duo™ Electric Range

Features

- Flex Duo™ Technology – Large 5.9 cu. ft. Convection Oven Splits into Two Cavities with a Removable Smart Divider™
- Soft Close and Clean View Door
- Dual Convection Oven
 - Top: Fan Convection
 - Bottom: True Convection
- Large Oven Capacity – 5.9 cu. ft.
- Five Electric Cooktop Elements
 - One Triple Burner (6"/9"/12")
 - Two Bridged (7")
 - One Single Burner (6")
 - Warming Center (7")
- SteamQuick™ (20 min. oven cleaning) and Self Clean
- Warming Drawer: High, Medium, Low

Convenience

- Auto Oven Light
- Proofing
- Sabbath Mode
- Kitchen Timer
- Delay Start
- Child Safety Lock
- Three Preset Easy Cook Options



Flex Duo™ Oven



Soft Close and Clean View Door

Available Color:

Stainless Steel

AjMadison
Your Appliance Authority™

800-370-3355

Signature Features

FLEX DUO™ OVEN

- The spacious 5.9 cu. ft. oven splits into two ovens with the Smart Divider™ to cook at two different temperatures at the same time.
- Two temperature controls.
- No noticeable transfer of aroma.

SOFT CLOSE AND CLEAN VIEW DOOR

- Whisper-Quiet Soft Close Door.
- Get a corner-to-corner, panoramic wide view of everything that's cooking.

5.9 CU. FT. LARGE CAPACITY

- Cook a big roast, multiple casserole dishes or several racks of cookies at once.
- Three oven racks let you prepare enough food for large gatherings.
- Split rack on top for taller dishes.

FIVE-BURNER COOKTOP

- Cook with different-sized pans simultaneously.
- The triple burner has three different-sized heating elements in one.
- Smooth ceramic surface allows for convenient cleaning.
- Bridge capability creates an extra-large cooking surface for oversized pots and pans.



Ranked **"Highest in Customer Satisfaction with Ranges, Cooktops and Ovens."***

—J.D. Power

SAMSUNG

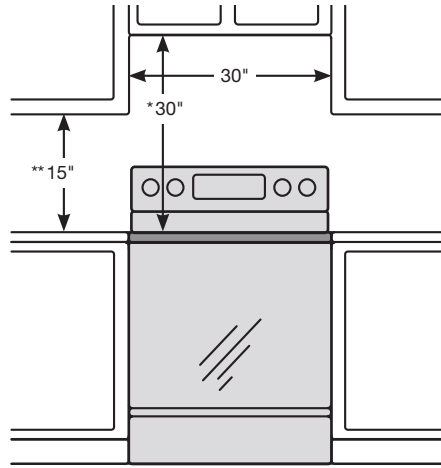
NE59J7750WS

5.9 cu. ft. Freestanding Flex Duo™ Electric Range

Installing Your Range

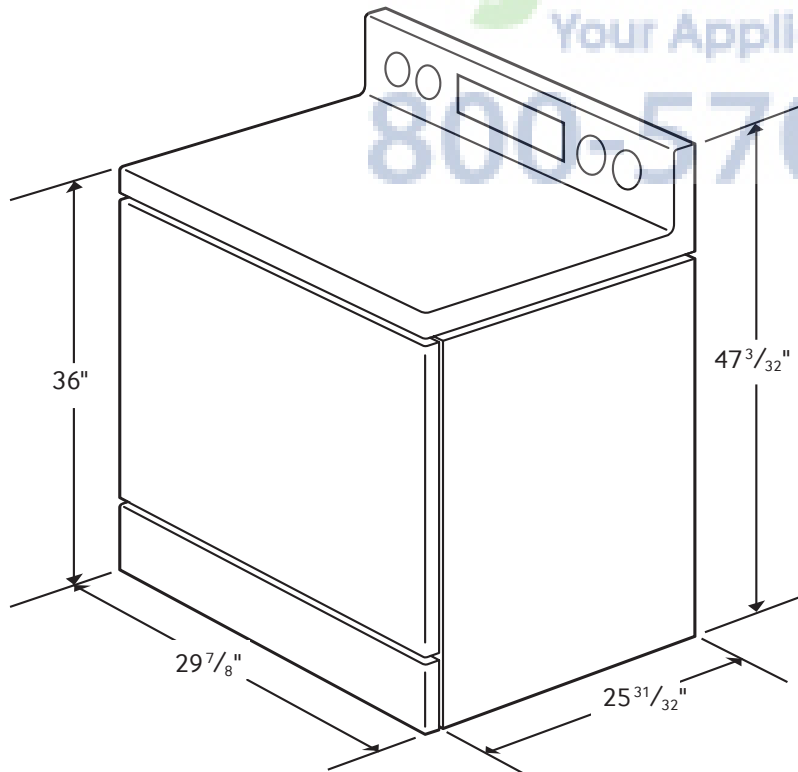
*30" minimum clearance between the top of the cooking surface and the bottom of an unprotected wood or metal cabinet; or 24" minimum when the bottom of the wood or metal cabinet is protected by not less than 1/4" flame-retardant millboard covered with not less than no. 28 MSG sheet steel, 0.015" stainless steel, 0.024" aluminum or 0.020" copper.

**15" minimum between the countertop and the adjacent cabinet bottom.



IMPORTANT: To eliminate the risk of burns or fire caused by reaching over heated surface units, cabinet storage space located above the surface units should be avoided. If cabinet storage is to be provided, the risk can be reduced by installing a range hood that projects horizontally a minimum of 5" beyond the bottom of the cabinets.

Dimensions



Radiant Ceramic Cooktop

- Right Front: 6/9/12", 3.0 kW
- Left Front: 7", 1.8 kW (bridge)
- Right Rear: 6", 1.2 kW
- Left Rear: 7", 1.8 kW (bridge)
- Center Rear: Warming Center, 7"

Dual Oven (with Divider)

- Hidden Bake Element
- Bake: 175°F–550°F
- Convection Bake: 175°F–550°F
- Convection Roast: 175°F–550°F
- Broil: Low/High
- Convection Element/Heater: 1250 W
- Proofing
- Sabbath Mode

Warming Drawer

- Capacity: 1.4 cu. ft.
- Heating Performance: 600 W (4 pass)
- Temperature Settings: High, Medium, Low

Warranty

- One (1) Year All Parts and Labor
- Five (5) Years Electric Cooktop

Product Dimensions & Weight (WxHxD)

Actual Oven Dimensions:
25" x 20²⁵/₃₂" x 18¹⁵/₁₆"

Outside Net Dimensions:
29⁷/₈" x 47³/₃₂" x 25³¹/₃₂"

Weight: 183.9 lbs.

Shipping Dimensions & Weight (WxHxD)

Dimensions:
33¹/₃₂" x 50²⁵/₆₄" x 30⁹/₃₂"

Weight: 208.1 lbs.

Color	Model #	UPC Code
Stainless Steel	NE59J7750WS	887276093741

SAMSUNG

*Samsung received the highest numerical score for ranges, cooktops and ovens in the proprietary J.D. Power 2014 Kitchen Appliance Study™. Study based on 15,380 total responses measuring 17 ranges, cooktops and oven brands and measures opinions of consumers about their new appliance purchased in the past 24 months. Proprietary study results are based on experiences and perceptions of consumers surveyed in January-March 2014. Your experiences may vary. Visit jdpower.com.

Actual color may vary. Design, specifications, and color availability are subject to change without notice. Non-metric weights and measurements are approximate.

©2015 Samsung Electronics America, Inc. 85 Challenger Road, Ridgefield Park, NJ 07660. Tel: 800-SAMSUNG. samsung.com. Samsung is a registered trademark of Samsung Electronics Co. Ltd.