

NE59J7630SS

5.9 cu. ft. Freestanding Electric Range

Features

- True Convection Oven (1-Fan)
- Rapid Boil (3.3kW)
- Five Electric Cooktop Elements
 - One Triple Burner (6"/9"/12")
 - One Dual Burner (6"/9")
 - Two Single Burners (6")
 - Warming Center (7")
- Large Oven Capacity – 5.9 cu. ft.
- SteamQuick™ (20 min. oven cleaning) and Self Clean

Convenience

- Hot Surface Indicator Light
- Auto Oven Light
- Proofing
- Sabbath Mode
- Kitchen Timer
- Delay Start
- Child Safety Lock
- 2 Chrome Oven Racks
- Three Preset Easy Cook Options



True Convection Oven



Large Capacity

Available Colors:

Stainless Steel
(shown)

White

Black

AjMadison
Your Appliance Authority™

800-570-5355

Signature Features

TRUE CONVECTION OVEN

- Saves up to 30% more time than conventional ovens.
- Fan system circulates heat to distribute thoroughly so food cooks evenly.

RAPID BOIL BURNER

- 3.3kW of cooking power boils water faster.

5.9 CU. FT. LARGE CAPACITY

- Our extra-spacious 5.9 cu. ft. large-capacity oven easily handles turkey roasters and large baking sheets.

FIVE-BURNER COOKTOP

- Cook with different-sized pans simultaneously.
- The triple burner has three different-sized heating elements in one.
- Smooth ceramic surface allows for convenient cleaning.
- Bridge capability creates an extra-large cooking surface for oversized pots and pans.



Ranked **"Highest in Customer Satisfaction with Ranges, Cooktops and Ovens."***

—J.D. Power

SAMSUNG

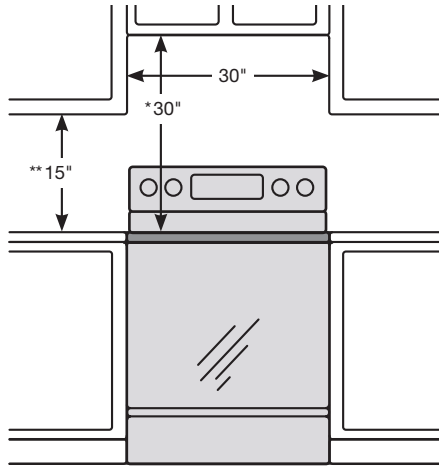
NE59J7630SS

5.9 cu. ft. Freestanding Electric Range

Installing Your Range

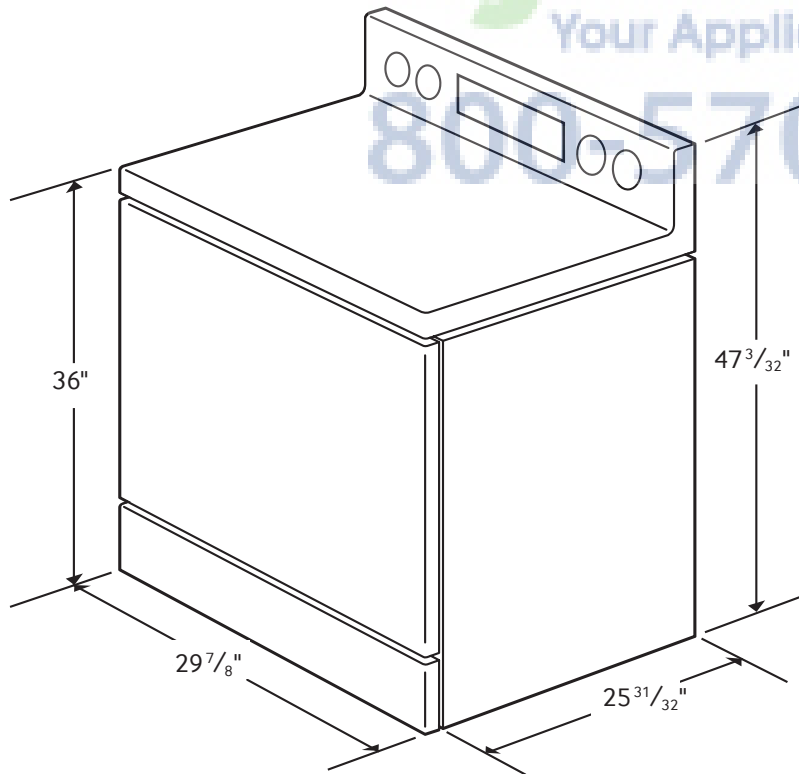
*30" minimum clearance between the top of the cooking surface and the bottom of an unprotected wood or metal cabinet; or 24" minimum when the bottom of the wood or metal cabinet is protected by not less than 1/4" flame-retardant millboard covered with not less than no. 28 MSG sheet steel, 0.015" stainless steel, 0.024" aluminum or 0.020" copper.

**15" minimum between the countertop and the adjacent cabinet bottom.



IMPORTANT: To eliminate the risk of burns or fire caused by reaching over heated surface units, cabinet storage space located above the surface units should be avoided. If cabinet storage is to be provided, the risk can be reduced by installing a range hood that projects horizontally a minimum of 5" beyond the bottom of the cabinets.

Dimensions



Radiant Ceramic Cooktop

- Right Front: 6/9/12", 3.0 kW
- Left Front: Radiant 6/9", 3.3 kW – Rapid Boil™
- Right Rear: Radiant 6", 1.2 kW
- Left Rear: Radiant 6", 1.2 kW
- Center Rear: Warming Center, 7"

Oven

- Hidden Bake Element
- Bake: 175°F–550°F
- Convection Bake: 175°F–550°F
- Convection Roast: 175°F–550°F
- Convection Element/Heater: 800 W
- Broil: Low/High
- Proofing
- Sabbath Mode

Storage Drawer

Capacity: 1.4 cu. ft.

Warranty

- One (1) Year All Parts and Labor
- One (1) Year Electric Cooktop

Product Dimensions & Weight (WxHxD)

Actual Oven Dimensions:
25" x 20²⁵/₃₂" x 18¹⁵/₁₆"

Outside Net Dimensions:
29⁷/₈" x 47³/₃₂" x 25³¹/₃₂"

Weight: 160.9 lbs. (164.0 lbs. for Stainless Steel Model)

Shipping Dimensions & Weight (WxHxD)

Dimensions:
33¹/₃₂" x 50²⁵/₆₄" x 30⁹/₃₂"

Weight: 185.2 lbs. (188.3 lbs. for Stainless Steel Model)

Color	Model #	UPC Code
Stainless Steel	NE59J7630SS	887276093697
White	NE59J7630SW	887276093710
Black	NE59J7630SB	887276093680

SAMSUNG

*Samsung received the highest numerical score for ranges, cooktops and ovens in the proprietary J.D. Power 2014 Kitchen Appliance Study™. Study based on 15,380 total responses measuring 17 ranges, cooktops and oven brands and measures opinions of consumers about their new appliance purchased in the past 24 months. Proprietary study results are based on experiences and perceptions of consumers surveyed in January-March 2014. Your experiences may vary. Visit jdpower.com.

Actual color may vary. Design, specifications, and color availability are subject to change without notice. Non-metric weights and measurements are approximate.

©2015 Samsung Electronics America, Inc. 85 Challenger Road, Ridgefield Park, NJ 07660. Tel: 800-SAMSUNG. samsung.com. Samsung is a registered trademark of Samsung Electronics Co. Ltd.