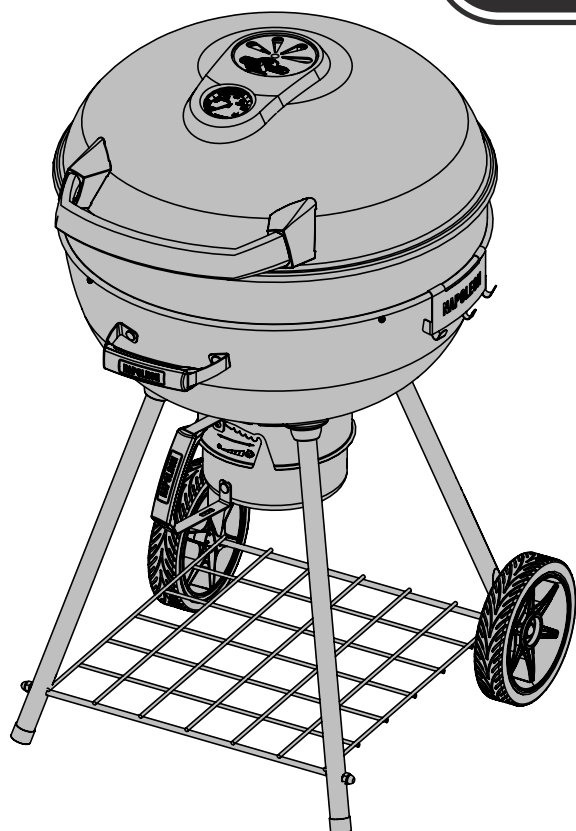
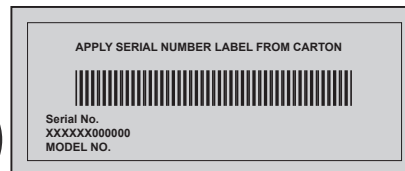


ASSEMBLY USE AND CARE MANUAL

THIS GRILL MUST ONLY BE USED OUTDOORS IN A WELL-VENTILATED SPACE
RETAIN THIS MANUAL FOR FUTURE REFERENCE

OUTDOOR CHARCOAL GRILL



PRO22K-LEG-2



WARNING

Do not try to light this appliance without reading the "LIGHTING" instruction section of this manual.



DANGER

Do not use the barbecue in a confined and/or habitable space e.g. houses, tents, caravans, motor homes, boats or other confined space. Danger of carbon monoxide poisoning fatality.



WARNING! Failure to follow these instructions exactly could result in a fire causing serious injury or death.

Wolf Steel Ltd.
214 Bayview Drive,
Barrie, Ontario, CANADA L4N 4Y8
grills@napoleon.com

Wolf Steel Europe BV
De Riemsdijk 22, 4004 LC, Tiel
The Netherlands
eu.info@napoleon.com

EN

FR
PG.13

NL
PG.25

DE
PG.37

ES
PG.49

SE
PG.61

DK
PG.73



PG.84

Napoleon President's 10 Year Limited Warranty



NAPOLEON products are designed with superior components and materials, and are assembled by trained craftsmen who take great pride in their work. This grill has been thoroughly inspected by a qualified technician before packaging and shipping to ensure that you, the customer, receive the quality product you expect from NAPOLEON.

NAPOLEON warrants that components in your new NAPOLEON product will be free from defects in material and workmanship from the date of purchase, for the following period:

Porcelain enamel lid and bowl	10 years
Air control system	5 years full coverage, plus 50% off until the 10th year
Porcelain-enameled cast iron cooking grids	5 years full coverage, plus 50% off until the 10th year
Chrome plated cooking grids	3 years full coverage, plus 50% off until the 10th year
All other parts	2 years

*Conditions and Limitations

This Limited Warranty creates a warranty period as specified in the aforementioned table, for any product purchased through an authorized NAPOLEON dealer, and entitles the original purchaser to the specified coverage in respect of any component replaced within the warranty period, either by NAPOLEON or an authorized NAPOLEON dealer, to replace a component of such product that has failed in normal private use as a result of a manufacturing defect. The "50% off" indicated in the table means the component is made available to the purchaser at a 50% discount off the regular retail price of the component for the period indicated. This Limited Warranty does not cover accessories or bonus items.

For greater certainty, "normal private use" of a product means that the product: has been installed by a licensed, authorized service technician or contractor, in accordance with the installation instructions included with the product and all local and national building and fire codes; has been properly maintained; and has not been used as a communal amenity or in a commercial application.

Similarly, "failure" does not include: over-firing, blow outs caused by environmental conditions such as strong winds or inadequate ventilation, scratches, dents, corrosion, deterioration of painted and plated finishes, discoloration caused by heat, abrasive or chemical cleaners or UV exposure, chipping of porcelain enameled parts, or damages caused by misuse, accident, hail, grease fires, lack of maintenance, hostile environments such as salt or chlorine, alterations, abuse, neglect or parts installed from other manufacturers.

Should deterioration of parts occur to the degree of non-performance (rusted through or burnt through) within the duration of the warranted coverage, a replacement part will be provided. The replacement component is the sole responsibility of NAPOLEON defined by this Limited Warranty; in no event will NAPOLEON be responsible for installation, labor or any other costs or expenses related to the re-installation of a warranted part, for any incidental, consequential, or indirect damages or for any transportation charges, labor costs or export duties.

This Limited Warranty is provided in addition to any rights afforded to you by local laws. Accordingly, this Limited Warranty imposes no obligation upon NAPOLEON to keep parts in stock. Based on the availability of parts, NAPOLEON may at its discretion discharge all obligations by providing a customer a prorated credit towards a new product. After the first year, with respect to this Limited Warranty NAPOLEON may, at its discretion, fully discharge all obligations with respect to this warranty by refunding to the original warranted purchaser the wholesale price of any warranted but defective part(s).

The bill of sale or copy will be required together with a serial number and a model number when making any warranty claims from NAPOLEON. NAPOLEON reserves the right to have its representative inspect any product or part prior to honoring any warranty claim. You must contact NAPOLEON Customer Service or an authorized NAPOLEON dealer to obtain the benefit of the warranty coverage.



www.napoleon.com

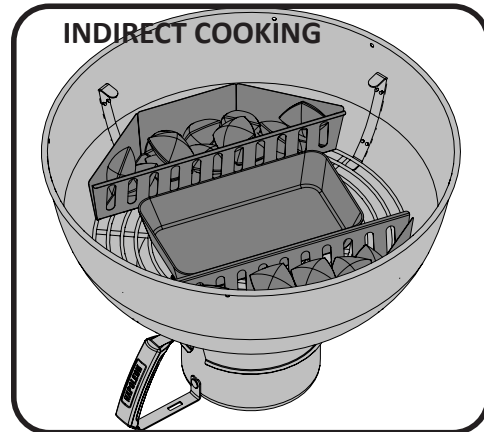
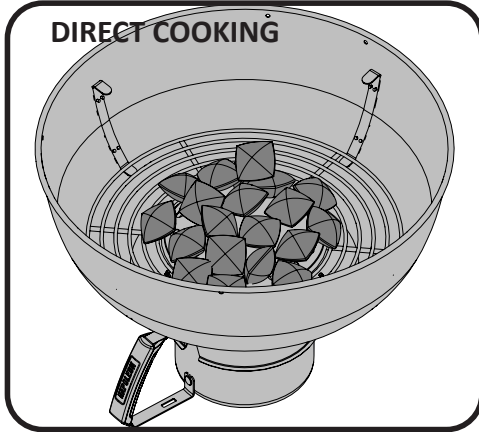


WARNING! Failure to follow these instructions could result in property damage, personal injury or death. Read and follow all warnings and instructions in this manual prior to operating grill.

Safe Operating Practices

- Read the entire instruction manual before operating the grill.
- Under no circumstance should this grill be modified.
- Follow lighting instructions carefully when operating grill.
- Do not light charcoal with lid closed.
- Do not lean over grill when lighting.
- Do not use gasoline, alcohol, or other highly volatile fluids to ignite charcoal. Use ONLY charcoal starter fluid approved for lighting charcoal. Make sure that any fluids that have drained through the bottom of the grill are removed before lighting the charcoal.
- Charcoal starter fluid should never be added to hot or even warm coals.
- After use and before lighting, charcoal starter fluid should be capped and stored a safe distance away from the grill, at least 25ft (7.6m).
- Keep children and pets away from hot grill, DO NOT allow children to climb inside cabinet.
- Do not leave the grill unattended while in use.
- Do not move grill when hot or operating.
- This grill must not be installed in or on recreational vehicles and/or boats.
- This grill must only be stored outdoors in a well-ventilated area and must not be used inside a building, garage, screened in porch, gazebo or any enclosed area.
- Maintain proper clearance to combustibles, 5ft (1.5m) to all sides. This clearance is also recommended near vinyl siding or panes of glass. The grill must not be used on combustible surfaces (wooden or composite decks or porches).
- At all times keep the ventilation openings of the enclosure free and clear from debris.
- Do not operate unit under any combustible construction.
- Do not operate this grill under any overhead construction such as roof coverings, carports, awnings or overhangs.
- Do not locate in windy settings. High winds adversely affect the cooking performance of the grill.
- The lid is to be closed during the preheat period.
- The ash/grease tray must be in place when using the grill.
- Clean the ash/grease tray regularly to avoid build-up, which may lead to grease fires.
- Do not use the side shelves to store lighters, matches or any other combustibles.
- The grill should be on level ground at all times.
- Do not use water to control flare-ups or extinguish coals, as it may damage your grill's finish.
- To control flare-ups, slightly close the vents on your grill. To completely extinguish coals/fire, close all vents and lid completely.
- Use proper grilling tools with long, heat-resistant handles.
- Use barbecue mitts or hot pads to protect hands while cooking or adjusting the vents.
- Do not remove ashes from grill until all charcoal is completely burned out and fully extinguished. Allow ample time to cool.
- Remaining coal and ashes are to be removed from grill and stored in a non-combustible metal container. Allow to remain in metal container 24 hours before disposing of.
- Keep electrical supply cords away from water or heated surfaces.
- **California Proposition 65:** The burning of charcoal creates by-products, some of which are on the list as substances known by the State of California to cause cancer or reproductive harm. When cooking with charcoal, always ensure adequate ventilation to the unit, to minimize exposure to such substances.

Lighting Instructions



Charcoal Usage

Grill Diameter	Cooking Method	Charcoal Recommended
22" (56cm)	Direct Cooking	50
22" (56cm)	InDirect Cooking	25 per side *(add 8 per side for each additional hour of cooking time)

*Charcoal recommendations are approximate, longer cooking times require additional charcoal to be added. As well, colder, windy temperatures will require additional charcoal to reach ideal cooking temperatures.



WARNING! Open lid.

WARNING! Locate the grill outdoors on a solid, level, non-combustible surface. Never use grill on wooden or other surfaces that could burn.

WARNING! Do not lean over grill when lighting charcoal.

WARNING! Ashpan must be in place during lighting and anytime during use.

DIRECT COOKING METHOD	INDIRECT COOKING METHOD
1. Fully open the vent on the lid and base. Remove the grill lid and remove the cooking grill	1. Fully open the vent on the lid and base. Remove the grill lid and remove the cooking grill.
2. Ensure the ash pan is cleaned out from the previous use and then re-install.	2. Ensure the ash pan is cleaned out from the previous use and then re-install.
3. The grill can be used either with or without the center air deflector. The deflector will ensure more even temperatures and will slow the rate of burn in the center of the grill. Use either the Ultrachef Charcoal Starter (not included) following the instructions included in the manual, or place lighter cubes or lightly crumpled newspaper on and around the air deflector. Place the charcoal in a cone shaped pile in the center of the unit on the newspaper or lighter cubes.	3. Remove the center air deflector and place a drip pan. Place the optional charcoal baskets on either side of the drip pan. Use either the Ultrachef Charcoal Starter (not included) following the instructions included in the manual, or place lighter cubes or lightly crumpled newspaper in the charcoal baskets. Place the charcoal in the baskets onto the newspaper or lighter cubes.
4. Light the newspaper or lighter cubes. Once fully lit, close the lid and allow the charcoal to burn until it is covered in a light grey ash (approximately 20 minutes).	4. Light the newspaper or lighter cubes. Once fully lit, close the lid and allow the charcoal to burn until it is covered in a light grey ash (approximately 20 minutes).
5. Using tongs with long heat resistant handles, spread the coals to evenly cover the entire grate (including the center air deflector).	



Starter fluid can be used to light the charcoal, but it is not the preferred method. It can be messy and may leave a chemical taste on the food if not completely burned off prior to cooking. Once lit, never add additional starter fluid to the grill. Store the bottle at least, 25 ft (7.6m) away from the grill when operating.

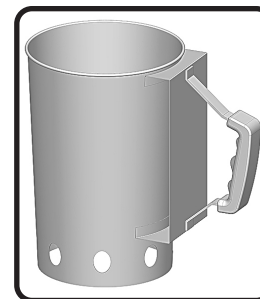


Charcoal Starter Safe Operating Practices

WARNING!

- For outdoor use only.
- Do not use the Charcoal Starter unless it is placed on a firm, level charcoal grate and the charcoal grill is on a firm, level, non-combustible surface.
- Do not place the Charcoal Starter on any combustible surface unless the Charcoal Starter is completely cool.
- Do not use lighter fluid, gasoline or self lighting charcoal in the Charcoal Starter.
- Only use the Charcoal Starter to light charcoal for charcoal grills.
- Always wear protective gloves when handling the Charcoal Starter.
- Keep children and pets away from the Charcoal Starter at all times.
- Do not use the Charcoal Starter in high winds.
- Do not leave the Charcoal Starter unattended while in use.
- Do not lean over the Charcoal Starter when lighting.
- Never use the Charcoal Starter for other than intended use. Do not use the Charcoal Starter to prepare food.
- Use extreme caution when pouring hot coals out of the Charcoal Starter.

CHARCOAL STARTER



Using the Charcoal Starter

- Turn the Charcoal Starter upside down.
- Crumple two full sheets of newspaper and stuff them into the bottom of the Charcoal Starter.
- Turn the Charcoal Starter right side up and place it in the centre of the charcoal grate.
- Add appropriate amount of charcoal but do not over fill.
- Light a match, and insert into one of the bottom air vents to ignite the newspaper.
- When the top layer of charcoal has a light coating of grey ash, wearing protective gloves carefully pour the hot charcoal onto the charcoal grate (direct cooking method) or place into the charcoal baskets (indirect method).
- Once the hot charcoal is placed into the grill, spread the charcoal out evenly using tongs with long heat resistant handles.

Charcoal Cooking Guide

Charcoal is the traditional way of cooking that we are all familiar with. The glowing briquettes emit infrared energy to the food being cooked, with very little drying effect. Any juices or oils that escape from the food drip down onto the charcoal and vaporize into smoke giving the food its delicious grilled taste. The bottom line is that Napoleon's charcoal grill produces searing heat for juicier, tastier steaks, hamburgers and other meats. For cooking times and tips refer to the Charcoal Grilling Chart.

The following grilling chart is meant to be a guideline only. Cooking times are affected by such factors as altitude, outside temperature, wind, and desired doneness, which will be reflected in your cooking time. Use a meat thermometer to ensure foods are adequately cooked.

Charcoal Grilling Chart

Food	Direct/Indirect Heat	Cooking Time	Helpful Suggestions
Steak 1 in. (2.54cm) thick	Direct heat	6-8 min.– Medium	When selecting meat for grilling, ask for marbled fat distribution. The fat acts as a natural tenderizer while cooking and keeps it moist and juicy.
Hamburger 1/2 in (1.27cm) thick	Direct heat	6-8 min.– Medium	Preparing hamburgers to order is made easier by varying the thickness of your patties. To add an exotic taste to your meat, try adding hickory-flavored woodchips to the charcoal.
Chicken pieces	Direct heat approx 2 min. per side. Indirect heat for the remaining 18-20 min.	20-25 min.	The joint connecting the thigh and the leg from the skinless side should be sliced 3/4 of the way though for the meat to lay flatter on the grill. This helps it to cook faster and more evenly. To add a trademark taste to your cooking, try adding mesquite-flavored woodchips to the charcoal.
Pork chops	Direct heat	10-15 min.	Trim off the excess fat before grilling. Choose thicker chops for more tender results.
Spare ribs	Direct heat for 5 min. Indirect heat to finish	1.5-2 hrs. turning often	Choose ribs that are lean and meaty. Grill until meat easily pulls away from the bone.
Lamb chops	Direct heat	25-30 min.	Trim off the excess fat before grilling. Choose extra thick chops for more tender results.
Hot dogs	Direct heat	4-6 min.	Select the larger size wieners. Slit the skin lengthwise before grilling.

Cooking Instructions

Initial Lighting: When lit for the first time, the grill emits a slight odor. This is a normal temporary condition caused by the “burn-in” of internal paints and lubricants used in the manufacturing process and does not occur again. Simply burn the grill on high for approximately 30 minutes with the lid and base vents fully open.

Grill Use: We recommend preheating the grill by operating it with the lid closed for approximately 20 minutes. The coals are ready when they have a light coating of grey ash. Food cooked for short periods of time (fish, vegetables) can be grilled with the lid open. Cooking with the lid closed ensures higher, more even temperatures that will reduce cooking time and cook the food more evenly. When cooking very lean meat, such as chicken breast or lean pork, the grids can be oiled before preheating to reduce sticking. Cooking meat with a high degree of fat content may create flare-ups. Either trim the fat or reduce temperatures to inhibit this. Should a flare-up occur, move food away from flames; reduce the heat (reduce vent opening). Leave the lid open.

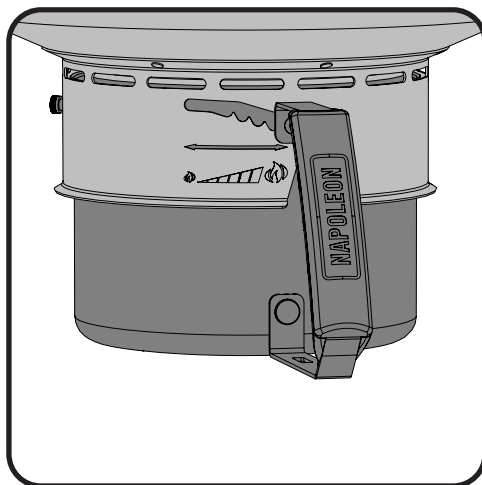
As a general rule, plan on using about 50 briquettes to cook 2 lb. (1kg) of meat. If cooking for more than 30 to 40 minutes, additional briquettes must be added to the fire. When the weather is cold or windy, you will need more briquettes to reach ideal cooking temperatures.

Adding Charcoal During Cooking: Use caution when adding charcoal to the grill. Flames may flare up when coals come in contact with fresh air. Stand back a safe distance and use a long-handled heat-resistant cooking tongs to add additional charcoal briquettes. There are flaps on either side of the cooking grid that provide access to the charcoal grate.

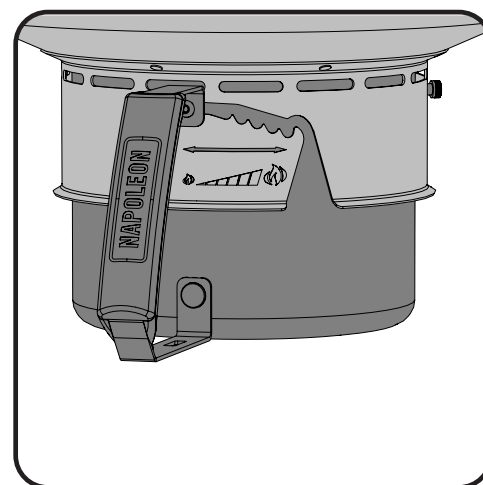


WARNING! Never add charcoal starter fluid to hot or warm coals. Once charcoal is ignited no more fluid is required.

Operating The Vents: Lid vents on a covered grill are usually left open to allow air into the grill. Air increases the burning temperature of the coals. You can regulate the grill’s temperature by moving the vent slide to the right or left. Closing the vents either partially or completely will help to cool down the coals. Do not completely close the air vents and the lid vent unless you are trying to cool down or extinguish a flame.



Vent Open



Vent Closed

After Use Safety



WARNING! To protect yourself and your property from damage, carefully follow these safety precautions.

- Close the grill lid and all vents to extinguish fire.
- Always allow the grill to cool completely before handling.
- Never leave coals and ashes in grill unattended. Make sure coals and ashes are completely extinguished before removing.
- Use a metal spatula or scoop to remove remaining coals and ashes from grill. Place them in a non-combustible metal container and completely saturate with water. Leave in container an additional 24 hours before disposing.



Maintenance / Cleaning Instructions

It is recommended that the ashtray/drip pan be emptied out after each use.

WARNING! Ensure the grill is cool and all coals are completely extinguished prior to removing any part from your grill.

WARNING! Always wear protective gloves and safety glasses when cleaning your grill.

WARNING! Do not use pressure washer to clean any part of the grill.

WARNING! To avoid the possibility of burns, maintenance should be done only when the grill is cool. Avoid unprotected contact with hot surfaces. Clean grill in an area where cleaning solutions will not harm decks, lawns, or patios. Do not use oven cleaner to clean any part of this grill. Do not use a self-cleaning oven to clean cooking grids or any other parts of the grill. Barbecue sauce and salt can be corrosive and will cause rapid deterioration of the grill components unless cleaned regularly.

Grids And Warming Rack: The grids and warming rack are best cleaned with a brass wire brush during the pre-heating period. Steel wool can be used for stubborn stains.

Cleaning Inside The Grill: Remove the cooking grids. Use a brass wire brush to clean loose debris from the bowl and the insides of the lid. Scrape the inside of the bowl with a putty knife or scraper, and use a wire brush to remove ash. Sweep all debris from inside the grill into the removable ash/drip pan. If desired you can wash the inside of the grill with a mild detergent and water. Rinse well with clear water and wipe dry.

WARNING! Accumulated grease is a fire hazard. Clean the drip pan after each use to avoid grease buildup.

Ash/Drip Pan: Ashes, grease and excess drippings pass through to the ash/drip pan, located beneath the charcoal grill, and accumulate. To clean, slide the pan free of the grill. Never line the pan with aluminum foil, sand or any other material as this could prevent the grease from flowing properly. The pan should be scraped out with a putty knife or scraper, and all the debris brushed into a non-combustible metal container. Wash the ash/drip pan with a mild detergent and water. Rinse well with clear water and wipe dry.

Cleaning The Outer Grill Surface: Do not use abrasive cleaners or steel wool on any painted, porcelain or stainless steel parts of your Napoleon Grill. Doing so will scratch the finish. Exterior grill surfaces should be cleaned with warm soapy water while the metal is still warm to the touch. To clean stainless surfaces, use a stainless steel or a non-abrasive cleaner. Always wipe in the direction of the grain. Over time, stainless steel parts discolor when heated, usually to a golden or brown hue. This discoloration is normal and does not affect the performance of the grill. Porcelain enamel components must be handled with additional care. The baked-on enamel finish is glass-like, and will chip if struck. Touch-up enamel is available from your Napoleon Grill dealer.

Cast Iron Cooking Grids: The cast iron cooking grids supplied with your new grill offer superior heat retention and distribution. By regularly seasoning your grids you are adding a protective coating, which will aid in resisting corrosion and increase your grids non-stick capabilities.

First Time Use: Wash the cooking grids by hand with mild dish soap and water to remove any residue from the manufacturing process (never wash in a dish washer). Rinse thoroughly with hot water and dry completely with a soft cloth. This is important to avoid moisture from entering the cast iron.

Seasoning: Using a soft cloth, spread VEGETABLE SHORTENING with a high smoke point over the entire grid surface ensuring all grooves and corners are covered. Sunflower, avocado or canola oil is recommended. Do not use salted fats such as butter or margarine. Pre-heat your grill to 350°-400°F (176°C-204°C). Install coated grids in the grill. Close the lid and cook for 30 minutes. Apply a second coat of oil on the grids using a silicon brush and cook for 30 minutes more. Turn all the burners to the "OFF" position and turn the gas off at the source. Let the cooking grids stand until cool. This procedure should be repeated several times throughout the season at 3-4 uses intervals.

Note: if rust has formed on the cast iron grids, clean them with a scouring pad or brass brush and repeat the entire seasoning process.

Daily Usage: Before pre-heating, and cleaning with a brass wire grill brush, coat the entire top surface of the cooking grids with VEGETABLE SHORTENING. Pre-heat the grill and then brush away any unwanted residue with a brass wire brush.

Troubleshooting

EN

Problem	Possible Causes	Solution
Low heat / Low flame.	<p>Improper preheating.</p> <p>Not enough airflow.</p> <p>Low charcoal.</p> <p>Lid being opened to frequently.</p>	<p>Allow charcoal to burn until covered with a light grey ash. (usually 20-25min).</p> <p>Open Vents.</p> <p>Add more charcoal to the charcoal tray.</p> <p>Allow food to cook with the lid closed. Every time the lid is removed, the temperature drops. This leads to lower temperatures and longer cooking times.</p>
Excessive flare-ups/uneven heat.	<p>Improper preheating.</p> <p>Excessive grease and ash build up in ash/drip pan.</p>	<p>Preheat grill with lid closed for 20 - 25 mins and spread coals around evenly.</p> <p>Clean ash/drip pan regularly. Do not line pan with aluminum foil. Refer to cleaning instructions.</p>
"Paint" appears to be peeling inside lid or hood.	Grease build up on inside surfaces.	This is not a defect. The finish on the lid is porcelain, and will not peel. The peeling is caused by hardened grease, which dries into paint-like shards that will flake off. Regular cleaning will prevent this. See cleaning instructions.

Charcoal Grilling In Review

Lighting Your Grill

- Before cooking for the first time, we recommend burning on high for 30 minutes with the lid and base vents fully open. This will burn off any lubricants used in the manufacturing process.
- Fully open the vent on the lid and base each time you light your grill.
- Ensure the ash pan is cleaned out from the previous use and then re-install.
- The grill can be used either with or without the center air deflector. The deflector will ensure more even temperatures and will slow the rate of burn in the center of the grill.
- Use either the Ultrachef Charcoal Starter (not included) following the instructions included in the manual, or place lighter cubes or lightly crumpled newspaper on and around the air deflector. Place the charcoal in a cone shaped pile in the center of the unit (direct cooking method) or the optional charcoal baskets (indirect method).
- Once fully lit, close the lid and allow the charcoal to burn until it is covered in a light grey ash (approximately 20 minutes), arrange the charcoal using tongs with heat resistant handles according to the cooking method you are going to use.
- Starter fluid can be used to light the charcoal, but it is not the preferred method. It can be messy and may leave a chemical taste on the food if not completely burned off prior to cooking. Once lit, never add additional starter fluid to the grill. Store the bottle at least 25ft (7.6m) away from the grill when operating.
- Additional smoke flavour can be achieved by adding smoker chips which are available in a variety of flavours through your Napoleon dealer.

Cooking With Your Grill

- We recommend preheating the grill by operating it with the lid closed for approximately 20 minutes. The coals are ready when they have a light coating of grey ash.
- As a general rule plan on using about 50 briquettes to cook 2 lb. (1kg) of meat. If cooking for more than 30 to 40 minutes, additional briquettes must be added to the fire. When the weather is cold or windy, you will need more briquettes to reach ideal cooking temperatures.
- Use caution when adding charcoal to the grill. Flames may flare up when coals come in contact with fresh air. Stand back a safe distance and use a long-handled heat-resistant cooking tongs to add additional charcoal briquettes.
- Lid vents on a covered grill are usually left open to allow air into the grill. Air increases the burning temperature of the coals. You can regulate the grill's temperature by moving the vent slide to the right or left.
- Allow food to cook with the lid closed. Every time the lid is removed, the temperature drops. This leads to lower temperatures and longer cooking times.
- Closing the vents either partially or completely will help to cool down the coals. Do not completely close the air vents and the lid vent unless you are trying to cool down or extinguish a flame.
- The cooking grid can be oiled before preheating to reduce sticking.
- Use a meat thermometer to ensure foods are adequately cooked.

Grill Clean Up

- Close the grill lid and all vents to extinguish fire.
- Always allow the grill to cool completely before handling.
- Never leave coals and ashes in grill unattended. Make sure coals and ashes are completely extinguished before removing.
- Use a metal spatula or scoop to remove remaining coals and ashes from grill. Place them in a non-combustible metal container and completely saturate with water. Leave in container an additional 24 hours before disposing.
- Use a brass wire brush to clean loose debris from the bowl and the insides of the lid.
- Wash the inside of the grill with a mild detergent and water. Rinse well with clear water and wipe dry.
- Porcelain enamel components must be handled with additional care. The baked-on enamel finish is glass-like, and will chip if struck. Touch-up enamel is available from your Napoleon Grill dealer.

KEEP YOUR RECEIPT AS PROOF OF PURCHASE TO VALIDATE YOUR WARRANTY.

Ordering Replacement Parts

EN

Warranty Information

MODEL: _____

DATE OF PURCHASE: _____

SERIAL NUMBER: _____

(Record information here for easy reference)

For replacement parts and warranty claims, contact the Napoleon dealer where the product was purchased.

Before contacting the dealer, check the Napoleon Grills Website for more extensive cleaning, maintenance, troubleshooting and parts replacement instructions at www.napoleon.com.

To process a claim, the following information is required:

1. Model and serial number of the unit.
2. Part number and description.
3. A concise description of the problem ('broken' is not sufficient).
4. Proof of purchase (photocopy of the invoice).

In some cases, Napoleon could request to have the parts returned to the factory for inspection before providing replacement parts.

Before contacting Napoleon dealer, please note that the following items are not covered by the warranty:

- Costs for transportation, brokerage or export duties.
- Labour costs for removal and reinstallation.
- Costs for service calls to diagnose problems.
- Discolouration of stainless steel parts.
- Part failure due to lack of cleaning and maintenance, or use of improper cleaners (oven cleaner or other harsh chemicals).



Notes

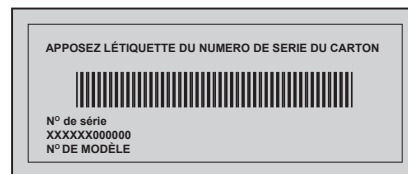
EN



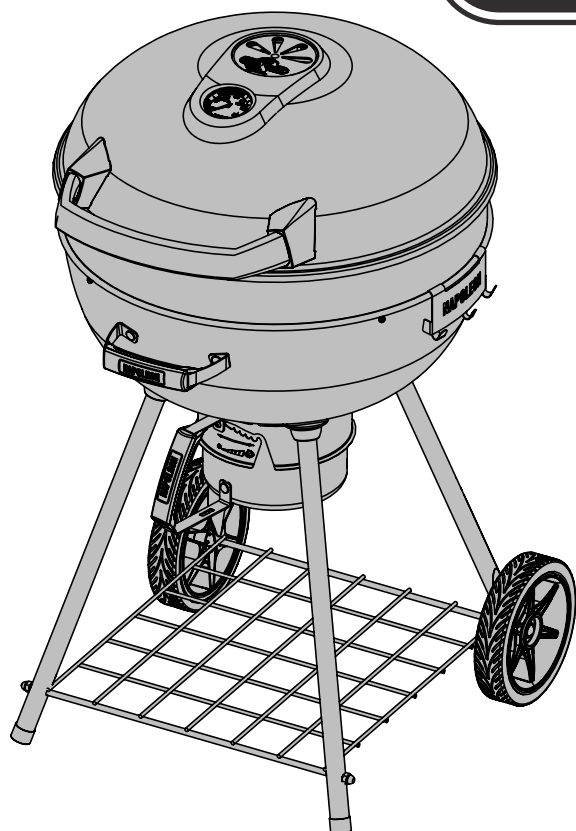
MANUEL D'ASSEMBLAGE, D'UTILISATION ET D'ENTRETIEN

CE GRIL DOIT ÊTRE UTILISÉ UNIQUEMENT À L'EXTÉRIEUR DANS UN ENDROIT BIEN AÉRÉ
CONSERVEZ CE MANUEL POUR CONSULTATION ULTÉRIEURE

GRIL AU CHARBON DE BOIS POUR L'EXTÉRIEUR



FR



PRO22K-LEG-2



AVERTISSEMENT

Ne tentez pas d'allumer cet appareil avant d'avoir lu les instructions d'allumage de ce manuel.



DANGER

Ne pas utiliser le barbecue dans un espace confiné et/ou habitable par exemple des maisons, tentes, caravanes, camping-cars, bateaux. Risque de décès par empoisonnement au monoxyde de carbone.



AVERTISSEMENT! Si ces instructions ne sont pas suivies à la lettre, un incendie pourrait s'ensuivre, causant des blessures graves ou la mort.

Wolf Steel Ltd.
214 Bayview Drive,
Barrie, Ontario, CANADA L4N 4Y8
grills@napoleon.com

Wolf Steel Europe BV
De Riemsdijk 22, 4004 LC, Tiel
The Netherlands
eu.info@napoleon.com

Garantie Limitée à vie de 10 ans du Président des Grils Napoléon



FR

Les produits NAPOLÉON sont conçus avec des composants et des matériaux de qualité supérieure, assemblés par des artisans qualifiés qui sont fiers de leur travail. Ce gril a été soigneusement inspecté par un technicien qualifié avant d'être emballé et expédié pour garantir que vous, le client, recevez le produit de qualité dont vous vous attendez de la part de NAPOLÉON.

NAPOLÉON garantit que les composants de votre nouveau produit NAPOLÉON seront exempts de défauts de matériau ou de fabrication à compter de la date de l'achat, et ce, pour la durée suivante :

Les poignées en porcelaine émaillée et la base	10 ans
Le système d'aération	5 ans de pleine garantie, plus 50% de rabais jusqu'à la 10e année
Les grilles de cuisson en porcelaine émaillée	5 ans de pleine garantie, plus 50% de rabais jusqu'à la 10e année
Les grilles chromés	3 ans de pleine garantie, plus 50% de rabais jusqu'à la 10e année
Toutes les autres pièces	2 ans

*Conditions et limitations

La présente garantie limitée couvre une période de garantie telle que spécifiée dans le tableau ci-dessus pour tout produit acheté par l'entremise d'un détaillant autorisé NAPOLÉON et donne droit à l'acheteur d'origine à la couverture spécifiée relativement à tout composant remplacé durant la période de garantie, que ce soit par NAPOLÉON ou un détaillant autorisé NAPOLÉON, pour le remplacement de tout composant qui présente une défaillance dans le cadre d'un usage privé normal à la suite d'un défaut de fabrication. La mention « 50 % de rabais » indiquée dans le tableau signifie que le composant est mis à disposition de l'acheteur à 50 % de son prix de détail courant pour la période indiquée. La présente garantie limitée ne couvre ni les accessoires ni les articles offerts gratuitement.

Il est entendu que l'« usage privé normal » d'un produit signifie que le produit : a été installé par un technicien de service ou entrepreneur certifié, conformément aux instructions d'installation incluses avec le produit et à tous les codes d'incendie et de construction locaux et nationaux; a été entretenu correctement; et n'a pas été utilisé dans une application à usage collectif ou commercial.

De la même manière, « défaillance » n'inclut pas : la surchauffe, les extinctions causées par des conditions environnementales telles que des vents forts ou une ventilation inadéquate, les égratignures, les bosses, la corrosion, la détérioration des finis peints et plaqués, la décoloration due à la chaleur, aux nettoyants abrasifs ou chimiques ou à l'exposition à des rayons UV, l'écaillage des pièces en porcelaine émaillée ou les dommages causés par un mauvais usage, un accident, la grêle, des feux de graisse, un manque d'entretien, un environnement inadéquat tel que le sel ou le chlore, des altérations, des abus, des négligences ou des pièces installées par d'autres fabricants.

Dans le cas d'une détérioration des composants causant le mauvais fonctionnement de l'appareil (perforation par la rouille ou la surchauffe) pendant la période couverte par la garantie, les pièces de rechange seront fournies par NAPOLÉON. Les composants de rechange relèvent de la seule responsabilité de NAPOLÉON telle que définie par la présente garantie limitée; en aucun cas, NAPOLÉON ne saurait être tenu responsable de l'installation, de la main-d'œuvre ou de tous autres coûts ou dépenses relatifs à la réinstallation d'une pièce garantie, de tous dommages accessoires, consécutifs ou indirects ni de tous frais de transport, de main-d'œuvre ou taxes d'exportation.

La présente garantie limitée vient s'ajouter à tous les droits qui vous sont accordés par la législation locale. Par conséquent, la présente garantie limitée n'impose pas à NAPOLÉON l'obligation de garder des pièces en stock. En fonction de la disponibilité des pièces, NAPOLÉON peut, à sa discrétion, se libérer de toute obligation en fournissant à un client un crédit au prorata applicable à un nouveau produit. Après la première année, NAPOLÉON peut, à sa discrétion, se libérer entièrement de toute obligation en ce qui concerne la présente garantie limitée en remboursant à l'acheteur d'origine le prix de gros de toute pièce garantie et défectueuse.

La facture ou une copie sera requise ainsi que le numéro de série et le numéro de modèle lors d'une réclamation auprès de NAPOLÉON. NAPOLÉON se réserve le droit de demander à son représentant d'inspecter tout produit ou pièce avant d'honorer toute réclamation. Pour pouvoir bénéficier de la couverture de garantie, vous devez contacter le service à la clientèle de NAPOLÉON ou un détaillant autorisé NAPOLÉON.



www.napoleon.com



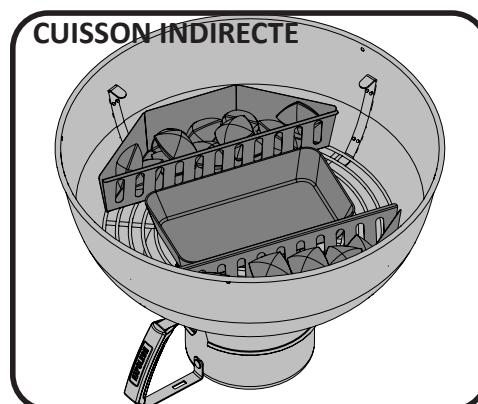
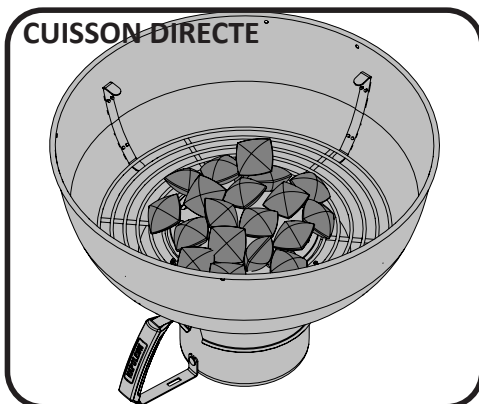
AVERTISSEMENT! Si ces instructions ne sont pas suivies, des dommages matériels, des blessures corporelles ou des pertes de vie pourraient s'ensuivre. Lisez et respectez tous les avertissements et les instructions de ce manuel avant de faire fonctionner le gril.

Pratiques Sécuritaires D'utilisation

- Lisez le manuel d'instructions en entier avant d'utiliser le gril.
- Ce gril ne devra être modifié en aucun cas.
- Suivez attentivement les instructions d'allumage lorsque vous faites fonctionner le gril.
- N'allumez pas les charbons de bois avec le couvercle fermé.
- Ne vous penchez pas au-dessus du gril lors de l'allumage.
- N'employez pas d'essence, d'alcool ou d'autres liquides volatiles pour allumer les charbons de bois. Utilisez UNIQUEMENT de l'allume-briquettes liquide approuvé. Avant d'allumer les briquettes, assurez-vous de bien essuyer tout liquide qui s'est écoulé par la base du gril.
- N'ajoutez jamais d'allume-briquettes liquide sur des briquettes chaudes ou tièdes.
- Après utilisation et avant l'allumage, le contenant d'allume-briquettes liquide doit être refermé et entreposé à une distance sécuritaire du gril, au moins 25 pieds (7.6m).
- Tenez les enfants et les animaux éloignés du gril chaud. NE laissez pas les enfants grimper dans le cabinet.
- Ne laissez pas le gril sans surveillance lorsqu'il est utilisé.
- Ne pas déplacer le gril pendant qu'il fonctionne ou qu'il est chaud.
- Ce gril ne doit pas être installé dans ou sur des véhicules récréatifs et/ou des bateaux.
- Ce gril doit être utilisé uniquement à l'extérieur, dans un endroit bien aéré et ne doit jamais être utilisé à l'intérieur d'un bâtiment, d'un garage, d'une véranda avec paramoustique, d'un gazebo ou tout autre endroit fermé.
- Respectez les dégagements recommandés aux matériaux combustibles 5 pieds (1.5m) sur les côtés. Ces mêmes dégagements sont aussi recommandés à proximité d'un recouvrement de vinyle ou d'une grande surface vitrée. Le gril ne doit pas être utilisé sur des surfaces combustibles (patios ou vérandas en bois ou en composite).
- En tout temps, gardez les ouvertures d'aération du cabinet libres et exemptes de débris.
- Ne placez pas le gril sous une construction combustible non protégée.
- Ne pas utiliser ce gril sous une installation couverte comme une couverture, un abri d'auto, un auvent ou tout ouvrage en surplomb.
- N'installez pas le gril dans un endroit venteux. Les vents forts nuiront à la performance de cuisson de votre gril.
- Le couvercle doit être fermé lors de la période de préchauffage du gril.
- Le tiroir d'égouttement et à cendres doit être installé lors de l'utilisation du gril.
- Nettoyez régulièrement le tiroir d'égouttement et à cendres pour empêcher les accumulations qui pourraient causer des feux de graisse.
- N'utilisez pas les tablettes latérales pour entreposer des briquets, des allumettes ou autres matériaux inflammables.
- En tout temps, le gril doit être sur une surface de niveau.
- Pour éviter d'endommager le fini de votre gril, n'utilisez pas d'eau pour contrôler les poussées de flamme ou pour éteindre les briquettes.
- Pour contrôler les poussées de flammes, fermez un peu les portes d'alimentation en air du gril. Pour éteindre complètement les briquettes ou un feu, fermez entièrement toutes les portes d'alimentation en air et le couvercle.
- Utilisez des ustensiles de cuisson appropriés avec de longs manches résistant à la chaleur.
- Utilisez des gants pour le gril ou des sous-plats pour protéger vos mains lors de la cuisson ou du réglage des portes d'alimentation en air.
- N'enlevez pas les cendres du gril avant que les briquettes soient complètement brûlées et éteintes. Laissez-les refroidir suffisamment.
- Enlevez les briquettes et les cendres, entreposez-les dans un contenant en métal incombustible et laissez reposer 24 heures avant de les jeter.
- Tenez les cordons d'alimentation électriques loin de l'eau et des surfaces chaudes.
- Utilisez toujours ce gril en conformité avec les codes locaux.
- **Proposition 65 De La Californie:** La combustion charbon de bois crée des sous-produits, parmi lesquels certains se retrouvent sur la liste de substances connues par l'état de Californie comme causant le cancer ou autres dangers pour la reproduction. Lorsque vous cuisinez avec le charbon de bois, assurez-vous de toujours avoir une ventilation adéquate afin de minimiser l'exposition à ces substances.

FR

Instruction d'allumage



Utilisation des briquettes

Diamètre du grill	Méthode de cuisson	Briquettes recommandées
22" (56cm)	Cuisson directe	50
22" (56cm)	Cuisson indirecte	25 par côté * (en ajouter 8 de chaque côté pour chaque heure de cuisson supplémentaire)

* Les recommandations relatives aux briquettes sont approximatives. Un temps de cuisson plus long requiert plus de briquettes. En outre, les températures plus froides et la présence de vent feront en sorte qu'il faudra plus de briquettes pour atteindre les températures de cuisson idéales.



AVERTISSEMENT! Ouvrez le couvercle.

AVERTISSEMENT! Installez le grill à l'extérieur sur une surface solide, à niveau et incombustible. N'utilisez jamais le grill sur une surface en bois ou toute autre surface combustible.

AVERTISSEMENT! Ne vous penchez pas au-dessus du grill lors de l'allumage.

AVERTISSEMENT! Le récipient à cendres doit être en place lors de l'allumage et en tout temps durant l'utilisation.

MÉTHODE DE CUISSON DIRECTE	MÉTHODE DE CUISSON INDIRECTE
1. Ouvrez complètement la porte d'alimentation en air sur le couvercle et sur la base. Retirez le couvercle du grill et enlevez la grille de cuisson.	1. Ouvrez complètement la porte d'alimentation en air sur le couvercle et sur la base. Retirez le couvercle du grill et enlevez la grille de cuisson.
2. Nettoyez le récipient à cendres ayant été utilisé précédemment puis réinstallez-le.	2. Nettoyez le récipient à cendres ayant été utilisé précédemment puis réinstallez-le.
3. Le grill peut être utilisé avec ou sans le déflecteur d'air central. Le déflecteur assurera l'uniformité de la température et ralentira la vitesse de combustion au centre du grill. Utilisez la cheminée d'allumage Ultrachef (non comprise) en suivant les instructions fournies dans le manuel, ou placez des cubes d'allumage ou du papier journal légèrement chiffonné au-dessus et autour du déflecteur d'air. Empilez les briquettes en forme de cône, dans le centre de l'unité, sur le journal ou sur les cubes d'allumage.	3. Retirez le déflecteur d'air central et placez un bac d'égouttement. Placez les paniers à briquettes optionnels de chaque côté du bac d'égouttement. Utilisez la cheminée d'allumage (non comprise) en suivant les instructions fournies dans le manuel, ou placez des cubes d'allumage ou du papier journal légèrement chiffonné dans les paniers à briquettes. Placez les briquettes dans les paniers, sur le journal ou sur les cubes d'allumage.
4. Allumez le papier journal ou les cubes d'allumage. Une fois les briquettes bien allumées, fermez le couvercle et laissez-les brûler jusqu'à ce qu'elles soient recouvertes d'une cendre légèrement grise (environ 20 minutes).	4. Allumez le papier journal ou les cubes d'allumage. Une fois les briquettes bien allumées, fermez le couvercle et laissez-les brûler jusqu'à ce qu'elles soient recouvertes d'une cendre légèrement grise (environ 20 minutes).
5. Avec des pinces à long manche résistantes à la chaleur, étalez les briquettes pour couvrir uniformément toute la grille (y compris le déflecteur d'air central).	



De l'allume-feu liquide peut être utilisé pour allumer les briquettes, mais n'est pas recommandé. Cela peut être salissant et peut laisser un goût chimique sur les aliments s'il n'a pas complètement brûlé avant la cuisson. Une fois les briquettes allumées, n'y ajoutez jamais d'autre allume-feu liquide. Gardez le flacon à une distance d'au moins 25 pieds (7,6 m) du gril en marche.

Consignes de sécurité lors de l'utilisation de la cheminée d'allumage

AVERTISSEMENT!



- Pour utilisation à l'extérieur seulement.
- N'utilisez pas la cheminée d'allumage à moins qu'elle soit placée sur une grille à niveau et que le gril soit placé sur une surface solide, à niveau et incombustible.
- Ne placez pas la cheminée d'allumage sur une surface combustible à moins que celle-ci soit complètement refroidie.
- N'utilisez pas d'essence à briquet, d'essence ni de briquettes auto-allumantes dans la cheminée d'allumage.
- Utilisez uniquement la cheminée d'allumage pour allumer des briquettes pour les grils au charbon de bois.
Portez toujours des gants protecteurs lorsque vous manipulez la cheminée d'allumage.
En tout temps, gardez les enfants et les animaux éloignés de la cheminée d'allumage.
N'utilisez pas la cheminée d'allumage lorsqu'il y a de grands vents.
Ne laissez pas la cheminée d'allumage en marche sans surveillance.
Ne vous penchez pas au-dessus de la cheminée d'allumage lors de l'allumage.
N'utilisez jamais la cheminée d'allumage pour d'autres fins que celles prévues. N'utilisez pas la cheminée d'allumage pour cuire des aliments.
Soyez extrêmement prudent lorsque vous versez les briquettes chaudes de la cheminée d'allumage.

CHEMINÉE D'ALLUMAGE



FR

Utilisation de la cheminée d'allumage

- Tournez la cheminée d'allumage à l'envers.
- Chiffonnez deux feuilles complètes de papier journal et placez-les dans le fond de la cheminée d'allumage.
- Replacez la cheminée d'allumage à l'endroit et placez-la au centre de la grille à charbon de bois.
- Ajoutez la quantité appropriée de briquettes sans trop remplir.
- Allumez une allumette et insérez-la dans l'un des événements situés dans le bas afin d'allumer le papier journal.
- Lorsque les briquettes sont recouvertes d'une légère couche de cendres grises, mettez des gants protecteurs et versez soigneusement les briquettes chaudes sur la grille à charbon de bois (méthode de cuisson directe) ou dans les paniers à briquettes (méthode indirecte).
- Une fois les briquettes chaudes placées sur la grille, étalez-les uniformément à l'aide de pinces à long manche résistantes à la chaleur.

Guide de Cuisson au Charbon de Bois

Le charbon de bois est la méthode traditionnelle de cuisson à l'infrarouge avec laquelle nous sommes le plus familier. Les briquettes incandescentes émettent de l'énergie infrarouge à l'aliment qui se fait cuire et ce, avec très peu d'assèchement. Les jus ou les huiles qui s'échappent des aliments tombent sur le charbon de bois et se vaporisent en fumée pour donner un délicieux goût grillé aux aliments. Le gril au charbon de bois de Napoléon® produit un rayonnement intense qui vous donnera des steaks, des viandes et des hamburgers plus juteux et plus savoureux. Pour connaître les temps de cuisson et certains conseils, consultez le tableau de cuisson.

Le tableau suivant n'est qu'à titre indicatif seulement. Les temps de cuisson sont influencés par des facteurs tels que l'altitude, la température extérieure, le vent et le degré de cuisson désiré. Pour saisir instantanément les aliments, le bac à charbon peut être installé à la position la plus élevée. Utilisez un thermomètre pour la viande pour vous assurer que les nourritures sont bien cuites.

Tableau de Cuisson au Charbon de Bois

ALIMENT	CUISSON DIRECTE OU INDIRECTE	TEMPS DE CUISSON	SUGGESTIONS
Bifteck 1" (2.54 cm) d'épaisseur	Cuisson directe	6 à 8 min. à Cuisson directe chaleur moyenne	Lorsque vous choisissez votre viande, demandez une viande qui est marbrée. Le gras de la viande agira comme un élément attendrissant durant la cuisson et gardera la viande plus juteuse.
Burger 1/2" (1.27 cm) d'épaisseur	Cuisson directe	6 à 8 min. à chaleur moyenne	Pour terminer la cuisson de vos burgers tous en même temps, nous vous conseillons de varier l'épaisseur de vos galettes. Pour ajouter une saveur exotique à votre viande, ajoutez des copeaux de bois à saveur de hickory aux briquettes.
Morceaux de poulet	Cuisson directe approx. 2 min. par côté, puis cuisson indirecte pour les 18 à 20 min. restantes.	20 à 25 min.	L'articulation qui retient le pilon à la cuisse doit être coupée au 3/4 à partir du côté sans peau afin de permettre à la viande d'être plus à plat sur la grille de cuisson. Ceci permettra à la viande de cuire de façon plus uniforme et plus rapidement. Pour ajouter une touche personnelle à votre poulet, ajoutez des copeaux de bois à saveur de mesquite aux briquettes.
Côtelettes de porc	Cuisson directe	10 à 15 min.	Coupez l'excès de gras avant de faire cuire. Choisissez des côtelettes de porc plus épaisses pour obtenir une viande plus tendre.
Côtes levées	Cuisson directe pendant 5 min., cuisson indirecte pour terminer	1,5 à 2 heures, en tournant souvent	Choisissez des côtes bien charnues et maigres. Grillez jusqu'à ce que la viande se détache facilement des os.
Côtelettes d'agneau	Cuisson directe	25 à 30 min.	Coupez l'excès de gras avant de faire cuire. Choisissez des côtelettes très épaisses pour obtenir une viande plus tendre.
Saucisses	Cuisson directe	4 à 6 min.	Choisissez des saucisses plus grosses. Faites une entaille dans la peau, sur la longueur de la saucisse avant de faire griller.

Instructions d'opération

Éclairage initial: Lorsqu'il est allumé pour la première fois, le grill dégagera une légère odeur. Ceci est un phénomène normal et temporaire causé par l'évaporation des peintures et lubrifiants internes utilisés dans le processus de fabrication et ne se reproduira plus. Il suffit de faire fonctionner le grill à température élevée pendant environ 30 minutes avec les portes d'alimentation en air de la base et du couvercle complètement ouvertes.

Utilisation Du Compartiment Principal: Le préchauffage du grill est recommandé en le faisant fonctionner une vingtaine de minutes, le couvercle fermé. Les charbons de bois sont prêts lorsqu'ils sont légèrement couverts de cendre grise. Les aliments qui cuisent rapidement (poisson, légumes) peuvent être grillés avec le couvercle ouvert. La cuisson avec le couvercle fermé assurera des températures plus élevées et plus égales. Ceci réduira le temps de cuisson et les aliments seront cuits plus uniformément. Pour que les viandes très maigres, comme de la poitrine de poulet ou du porc maigre, collent moins lors de la cuisson, vous pouvez huiler les grilles avant de préchauffer le grill. La cuisson de viandes très grasses peut causer des poussées de flamme. Pour les éviter, enlevez une partie du gras ou réduisez la température. Si une poussée de flamme survient, éloignez les aliments des flammes, réduisez la chaleur (en réduisant l'ouverture des portes d'alimentation en air). Laissez le couvercle ouvert.

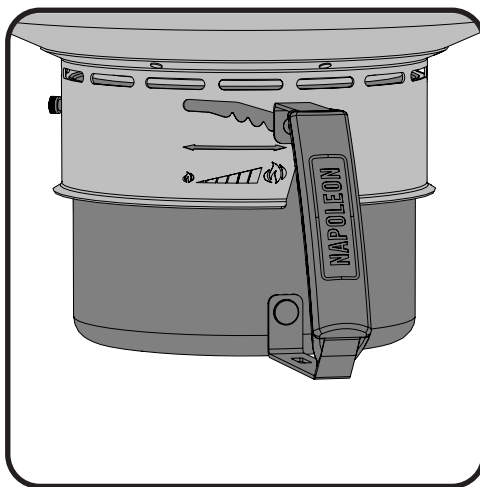
Règle générale, la cuisson de deux livre de viande requiert approximativement une cinquantaine de briquettes. Si la cuisson exige plus de 30 à 40 minutes, vous devrez ajouter d'autres briquettes. Lorsque le temps est venteux ou froid, vous devrez utiliser davantage de briquettes pour atteindre une température de cuisson idéale.

Ajout De Briquettes En Cours De Cuisson: Faites attention en ajoutant le charbon de bois au grill. Soyez prudent, car les briquettes peuvent s'embraser au contact de l'air. Pour ajouter d'autres briquettes, tenez-vous à une distance sécuritaire du grill et utilisez une pince à longs manches résistant à la chaleur. Des rebats de chaque côté de la grille de cuisson permettent d'accéder à la grille de charbon de bois.

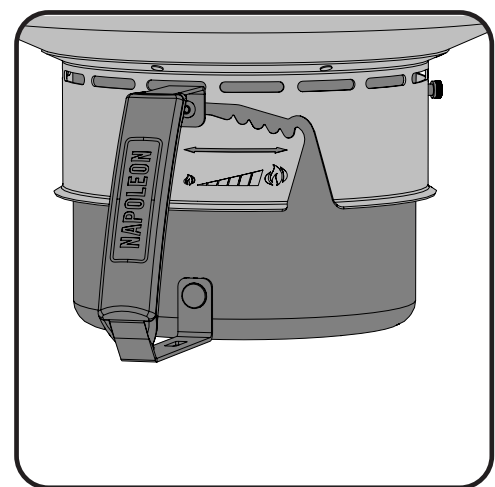


AVERTISSEMENT! N'ajoutez jamais d'allume-briquettes liquide sur des briquettes chaudes ou tièdes. Nul besoin d'ajouter de l'allume-briquettes liquide sur des charbons de bois déjà allumés.

Fonctionnement des portes d'alimentation en air : lorsque le couvercle du grill est fermé, les portes d'alimentation en air sur le couvercle doivent habituellement être ouvertes pour laisser l'air pénétrer dans le grill. L'air accroîtra la température de combustion des briquettes. Vous pouvez contrôler la température du grill en ajustant les portes d'alimentation en air. Pour ce faire, glissez les portes vers la droite ou la gauche. Fermer les portes, partiellement ou complètement, aidera à faire refroidir les briquettes. Ne fermez pas complètement les portes d'alimentation en air sur la base et le couvercle, à moins de vouloir refroidir les briquettes ou d'éteindre une flamme.



OUVERT VENT



FERMÉ VENT



Consignes De Sécurité Après L'utilisation

AVERTISSEMENT! Soyez prudent afin de vous protéger et d'éviter d'endommager la propriété.

- Fermez le couvercle et toutes les portes d'alimentation en air pour éteindre le feu.
- Laissez refroidir complètement le grill avant de le manipuler.
- Ne laissez pas sans surveillance un grill qui contient des charbons ou des cendres. Assurez-vous qu'ils sont complètement éteints avant de les enlever.
- Enlevez les charbons restants et la cendre du grill. Placez les charbons restants et la cendre dans un contenant métallique incombustible, puis saturez le tout avec de l'eau. Attendez 24 heures avant de disposer du contenu.

Instructions d'entretien et de nettoyage

Nous vous recommandons de vider le tiroir d'égouttement et à cendres après chaque utilisation.



AVERTISSEMENT! Assurez vous que le grill est refroidi et que tous les charbons sont complètement éteints avant d'enlever tout composant du grill.



AVERTISSEMENT! Portez toujours des gants protecteurs et des lunettes de sécurité lorsque vous nettoyez votre grill.



AVERTISSEMENT! N'utilisez pas de nettoyeur haute pression pour nettoyer les composants du grill.



AVERTISSEMENT! L'entretien devrait être effectué seulement lorsque le grill est froid pour éviter toutes possibilités de brûlure. Évitez tout contact avec les surfaces chaudes. Nettoyez votre grill dans un endroit où les produits de nettoyage n'endommageront pas votre patio, pelouse ou terrasse. N'utilisez pas de produit à nettoyer les fours pour nettoyer votre grill au charbon de bois. N'utilisez pas un four autonettoyant pour nettoyer les grilles de cuisson ou tout autre composant de votre grill au charbon de bois. La sauce BBQ et le sel sont corrosifs et causeront une détérioration rapide de votre grill au charbon de bois à moins de le nettoyer régulièrement.

Les Grilles De Cuisson Et La Grille-Réchaud: Les grilles de cuisson et la grille-réchaud sont plus faciles à nettoyer durant la période de préchauffage en utilisant une brosse en laiton.

Nettoyage De L'intérieur Du Grill: Enlevez les grilles de cuisson. Utilisez une brosse en laiton pour enlever les débris non incrustés sur les côtés de la cuve et à l'intérieur du couvercle. Grattez l'intérieur de la cuve avec un couteau à mastic ou un grattoir, puis utilisez une brosse en laiton pour enlever les dépôts de carbone. Nettoyez l'intérieur du grill avec une brosse en faisant tomber les débris dans le tiroir d'égouttement et à cendres amovible. Si désiré, vous pouvez nettoyer l'intérieur du grill avec un savon doux et de l'eau. Rincez à fond avec de l'eau claire et essuyez.



AVERTISSEMENT! L'accumulation de graisse peut présenter un risque de feu. Le tiroir d'égouttement doit être nettoyé après chaque utilisation afin d'éviter une accumulation de graisse.

Tiroir D'égouttement Et À Cendres: Sortez le tiroir d'égouttement pour en faciliter le nettoyage. Les cendres, la graisse et les jus de cuisson tombent dans le tiroir d'égouttement situé sous le grill et créent une accumulation. Le tiroir d'égouttement doit être gratté à l'aide d'un couteau à mastic ou d'un grattoir en jetant les débris dans un contenant métallique incombustible. Nettoyez le tiroir d'égouttement et à cendres avec un détergent doux et de l'eau. Rincez à fond avec de l'eau claire et essuyez.

Nettoyage de l'extérieur du grill : N'utilisez pas de produits abrasifs pour nettoyer les pièces peintes, de fini porcelaine ou en acier inoxydable. Les éléments en porcelaine émaillée doivent être manipulés avec soin. Le fini émaillée étant cuit, il devient comme du verre; il s'ébrêchera au moindre choc. Vous pouvez vous procurer de la peinture émaillée pour les retouches chez votre détaillant Napoléon. Utilisez une solution d'eau savonneuse chaude pour nettoyer l'extérieur du grill pendant qu'il est encore tiède au toucher. Pour nettoyer les surfaces en acier inoxydable, utilisez un produit de nettoyage à acier inoxydable ou un produit de nettoyage tout usage sans abrasif. Frottez toujours dans le sens du grain. N'utilisez pas de laine d'acier car elle égratignerait le fini. Les pièces en acier inoxydable vont décolorer sous l'effet de la chaleur pour habituellement prendre une couleur dorée ou brune. Cette décoloration est normale et n'affectera pas la performance du grill.

Grilles de cuisson en fonte : Les grilles de cuisson en fonte incluses avec votre nouveau gril offrent une rétention et une distribution supérieures de la chaleur. En huilant vos grilles de cuisson, vous vous trouvez à ajouter une couche de protection qui aidera les grilles à mieux résister contre la corrosion et à augmenter les caractéristiques antiadhésives.

Première utilisation : Nettoyez les grilles de cuisson à la main avec un savon à vaisselle doux et de l'eau afin d'enlever tout résidu provenant du procédé de fabrication (ne jamais laver au lave-vaisselle). Rincez bien avec de l'eau chaude et séchez complètement avec un linge doux. Ceci est important pour éviter que de l'humidité pénètre la fonte.

Entretien : À l'aide d'un linge doux, appliquez une couche de SHORTENING VÉGÉTAL à haut point de fumée sur toute la surface de la grille en vous assurant de couvrir toutes les encoches et les coins. L'huile de tournesol, d'avocat ou de canola est recommandée. N'utilisez pas de corps gras salés comme du beurre ou de la margarine. Préchauffez votre gril à 350 ° - 400 ° F (176 ° - 204 ° C). Placer les grilles enduites dans le gril. Fermer le couvercle et cuire 30 minutes. Appliquer une deuxième couche à l'aide d'une brosse en silicone et cuire encore 30 minutes. Éteignez le brûleur et fermez l'alimentation en gaz à la source. Laissez refroidir les grilles de cuisson Cette procédure doit être répétée plusieurs fois au cours de la saison toutes les 3 à 4 utilisations.

Remarque : si de la rouille s'est formée sur les grilles en fonte, nettoyez-les avec un tampon à récurer ou une brosse en laiton et répétez le processus d'assaisonnement.

Utilisation quotidienne : Avant de préchauffer et de nettoyer avec une brosse en laiton, appliquez une couche de SHORTENING VÉGÉTAL sur toute la surface des grilles. Préchauffez le gril et enlevez tous les résidus avec une brosse en laiton.

Guide De Dépannage

Problème	Causes possibles	Solution
Faible chaleur / petite flamme.	Mauvais préchauffage. Circulation d'air insuffisante. Quantité de briquettes insuffisantes. Le couvercle est ouvert trop souvent.	Laissez brûler les briquettes jusqu'à ce qu'elles soient légèrement couvertes de cendre grise. Ouvrez les portes d'alimentation en air. Ajoutez des briquettes dans le bac à charbon de bois. Faites cuire les aliments avec le couvercle fermé. Chaque fois que le couvercle est levé, la température baisse. Cela entraîne des températures plus basses et des temps de cuisson plus longs.
Poussées de flamme excessives / chaleur inégale.	Mauvais préchauffage. Accumulation excessive de graisse et de cendre dans le tiroir d'égouttement et à cendres.	Préchauffez le gril, le couvercle fermé, pendant 20 à 25 minutes et étalez-les uniformément à l'aide de pinces à long manche résistantes à la chaleur. Nettoyez le tiroir régulièrement. Ne tapissez pas le tiroir de papier d'aluminium. Consultez les instructions de nettoyage.
La peinture semble peler à l'intérieur du couvercle ou de la hotte.	Accumulation de graisse sur les surfaces intérieures.	Ceci n'est pas un défaut. Le fini du couvercle est en porcelaine et ne pèlera pas. Le pelage est causé par la graisse qui durcit et sèche comme des éclats de peinture qui pèlent. Un nettoyage régulier préviendra ce problème. Consultez les instructions de nettoyage.

Aperçu de la cuisson au charbon de bois

Allumage de votre grill

- Avant de procéder à la première cuisson, nous vous recommandons de faire fonctionner votre grill à température élevée pendant 30 minutes en gardant les portes d'alimentation en air de la base et du couvercle complètement ouvertes. Les lubrifiants utilisés dans le processus de fabrication seront ainsi évaporés.
- Ouvrez complètement les portes d'alimentation en air sur le couvercle et sur la base à chaque fois que vous allumez votre grill.
- Nettoyez le récipient à cendres ayant été utilisé précédemment puis réinstallez-le.
- Le grill peut être utilisé avec ou sans le déflecteur d'air central. Le déflecteur assurera l'uniformité de la température et ralentira la vitesse de combustion au centre du grill.
- Utilisez la cheminée d'allumage Ultrachef (non comprise) en suivant les instructions fournies dans le manuel, ou placez des cubes d'allumage ou du papier journal légèrement chiffonné au-dessus et autour du déflecteur d'air. Empilez les briquettes en forme de cône, au centre de l'unité (méthode de cuisson directe) ou dans les paniers à briquettes optionnels (méthode indirecte).
- Une fois les briquettes bien allumées, fermez le couvercle et laissez les briquettes brûler jusqu'à ce qu'elles soient recouvertes d'une cendre légèrement grise (environ 20 minutes). Répartissez les briquettes à l'aide de pinces à long manche résistantes à la chaleur selon la méthode de cuisson que vous prévoyez utiliser.
- De l'allume-feu liquide peut être utilisé pour allumer les briquettes, mais n'est pas recommandé. Cela peut être salissant et peut laisser un goût chimique sur les aliments s'il n'a pas complètement brûlé avant la cuisson. Une fois les briquettes allumées, n'y ajoutez jamais d'autre allume-feu liquide. Gardez le flacon à une distance d'au moins 25 pieds (7,6 m) du grill en marche.
- Des arômes de fumée supplémentaires peuvent être obtenus en ajoutant des copeaux de bois variés offerts chez votre détaillant Napoléon.

Cuisson sur votre grill

- Nous vous recommandons de préchauffer le grill en le faisant fonctionner avec le couvercle fermé pendant environ 20 minutes. Les briquettes sont prêtes quand elles sont recouvertes d'une légère couche de cendre grise.
- En règle générale, prévoyez utiliser environ 50 briquettes pour cuire 2 lb (1 kg) de viande. Si la cuisson dure plus de 30 ou 40 minutes, vous devrez ajouter des briquettes supplémentaires. Si le temps est froid ou venteux, vous aurez besoin de plus de briquettes afin d'atteindre les températures de cuisson idéales.
- Soyez prudent lorsque vous ajoutez des briquettes dans le grill. Les flammes peuvent monter lorsque les charbons sont en contact avec l'air frais. Tenez-vous à une distance sécuritaire et utilisez une pince de cuisine à long manche résistante à la chaleur lors de l'ajout de briquettes.
- Lorsque le couvercle du grill est fermé, les portes d'alimentation en air sur le couvercle doivent habituellement être ouvertes pour laisser l'air pénétrer dans le grill. L'air accroîtra la température de combustion des briquettes. Vous pouvez contrôler la température du grill en ajustant les portes d'alimentation en air. Pour ce faire, glissez les portes vers la droite ou la gauche.
- Faites cuire la nourriture en gardant le couvercle fermé. Chaque fois que le couvercle est levé, la température baisse. Cela entraîne des températures plus basses et des temps de cuisson plus longs.
- Fermer les portes d'alimentation en air, partiellement ou complètement, aidera à faire refroidir les briquettes. Ne fermez pas complètement les portes d'alimentation en air sur la base et le couvercle, à moins de vouloir refroidir les briquettes ou d'éteindre une flamme.
- La grille de cuisson peut être huilée avant le préchauffage afin d'éviter que les aliments collent.
- Utilisez un thermomètre à viande pour vous assurer que les aliments sont cuits adéquatement.

Nettoyage du grill

- Fermez le couvercle du grill et toutes les portes d'alimentation en air afin d'éteindre le feu.
- Laissez toujours refroidir complètement le grill avant de le manipuler.
- Ne laissez jamais les briquettes ni les cendres dans le grill sans surveillance. Assurez-vous que les briquettes et les cendres sont complètement éteintes avant de les enlever.
- Utilisez une spatule métallique ou une cuillère pour retirer les cendres et les charbons du grill. Placez-les dans un récipient en métal incombustible et imbitez-les dans l'eau. Laissez-les dans le récipient pendant 24 heures avant de les jeter.
- Utilisez une brosse en laiton pour enlever les débris de la cuve et à l'intérieur du couvercle.
- Lavez l'intérieur du grill avec un détergent doux et de l'eau. Rincez à l'eau claire et essuyez.
- Les composants en porcelaine émaillée doivent être manipulés avec soin. Le fini émaillé est semblable à du verre et peut s'ébrécher facilement. De la peinture-émail pour retouches est disponible chez votre détaillant Napoléon.

GARDEZ VOTRE REÇU COMME PREUVE D'ACHAT POUR VALIDER VOTRE Commande de pièces de rechange

Information sur la garantie

MODÈLE : _____

DATE D'ACHAT : _____

NUMÉRO DE SÉRIE : _____

FR

(Inscrivez l'information ici pour y avoir accès facilement.)

Pour commander des pièces de rechange ou faire une réclamation sous garantie, communiquez avec le détaillant Napoléon où le produit a été acheté.

Avant de contacter le détaillant Napoléon, consultez le site Web des grils Napoléon pour obtenir plus de renseignements sur le nettoyage, l'entretien, le dépannage et les pièces à www.napoleon.com

Pour qu'une réclamation soit traitée, l'information suivante est nécessaire :

1. Modèle et numéro de série de l'appareil.
2. Numéro de la pièce et description.
3. Description concise du problème (« cassé » n'est pas suffisant).
4. Preuve d'achat (copie de la facture).

Dans certains cas, Napoléon peut vous demander de retourner la pièce à des fins d'inspection avant de fournir une pièce de rechange.

Avant de contacter le détaillant Napoléon, veuillez noter que la garantie ne couvre pas les éléments suivants :

- coûts de transport, de courtage et frais d'exportation;
- coûts de main-d'oeuvre pour l'enlèvement et l'installation de la pièce;
- coûts des appels de service pour diagnostiquer le problème;
- décoloration des pièces en acier inoxydable;
- casse des pièces causée par un manque d'entretien et de nettoyage, ou par l'utilisation de nettoyeurs inappropriés (nettoyant à fourneau ou autres produits chimiques agressifs).



24

Notes

FR

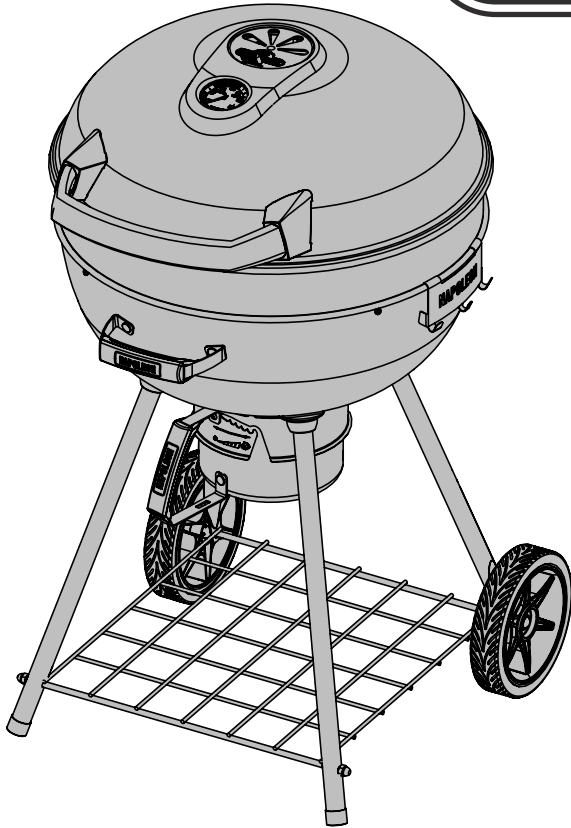


HANDLEIDING VOOR MONTAGE, GEBRUIK EN ONDERHOUD

DEZE GRILL ALLEEN BUITENSHUIS, IN EEN GOED GEVENTILEERDE RUIMTE GEBRUIKEN

BEWAAR DEZE HANDLEIDING ALS NASLAGWERK

HOUTSKOOLGRILL VOOR BUITENSHUIS



NL



PRO22K-LEG-2



WAARSCHUWING

Probeer dit apparaat niet aan te steken zonder de "AANSTEEKEN" sectie van deze handleiding te lezen.



GEVAAR

Brandend houtskool geeft koolmonoxide af. Grill niet binnen in woningen, garages, tenten voertuigen en andere afgesloten ruimten ontsteken.



WAARSCHUWING! Verzuiming van het nauwkeurig volgen van deze instructies kan resulteren in vuur dat letsel of dood kan veroorzaken.

Wolf Steel Europe BV
De Riemsdijk 22, 4004 LC, Tiel
The Netherlands
eu.info@napoleon.com

10 jaar beperkte Napoleon President's Garantie

NAPOLEON producten worden gemaakt van onderdelen en materialen van hoge kwaliteit en worden gemonteerd door goed opgeleide vakmensen die erg trots zijn op hun werk. Dit product is voor het inpakken en verzenden grondig geïnspecteerd door een gekwalificeerd technicus om te garanderen dat u als klant het kwaliteitsproduct ontvangt dat u van NAPOLEON mag verwachten.



NAPOLEON garandeert dat componenten van uw nieuwe NAPOLEON-product volledig vrij zullen zijn van gebreken inzake materialen en vakmanschap vanaf de aankoopdatum voor de onderstaande periode:

Geëmailleerde deksel en grillkamer.....	10 jaar
Luchtinlaatsysteem.....	5 jaar volledige dekking, plus 50% korting tot het 10e levensjaar
Gietijzeren roosters.....	5 jaar volledige dekking, plus 50% korting tot het 10e levensjaar
Verchroomde roosters.....	3 jaar volledige dekking, plus 50% korting tot het 10e levensjaar
Overige onderdelen.....	2 jaar

NL

Voorwaarden en beperkingen

Deze Beperkte Garantie geeft een garantieperiode voor ieder product dat bij een geautoriseerde NAPOLEON-dealer is gekocht zoals gespecificeerd in de eerder genoemde tabel en geeft de oorspronkelijke koper recht op de gespecificeerde dekking met betrekking tot ieder component dat binnen de garantie vervangen is, hetzij door NAPOLEON, hetzij door een geautoriseerde NAPOLEON-dealer, om een component te vervangen van een dergelijk product dat kapot gegaan is tijdens normaal huishoudelijk gebruik als een gevolg van een productiefout.

De "50% korting" genoemd in de tabel betekent dat het component beschikbaar is voor de koper voor 50% van de reguliere verkoopprijs van het component in de aangegeven periode. Deze Beperkte Garantie dekt geen accessoires of merchandise.

Ter verduidelijking: "normaal huishoudelijk gebruik van een product" betekent dat het product: geïnstalleerd is door een bevoegde monteur, in overeenstemming met de installatie-instructies die bij het product zijn inbegrepen en met de lokale bouw- en brandverordeningen; goed onderhouden is; en is niet gebruikt als gemeenschapsvoorziening of in een commerciële toepassing.

Daarnaast betekent "storing" niet: oververhitting, uitvallen vanwege omgevingsomstandigheden, zoals sterke wind of inadequate ventilatie, krassen, deuken, corrosie, slijtage van verf en platen, verkleuring door hitte, schurende of chemische schoonmaakmiddelen of blootstelling aan UV, afsplinteren van porseleinen, gebrandverfde onderdelen, of schade veroorzaakt door foutief gebruik, ongeval, hagel, brandend vet, gebrekkig onderhoud, blootstelling aan bijtende middelen zoals zout of chloor, aanpassingen, misbruik, verwaarlozing, of het installeren van onderdelen van andere fabrikanten.

Mochten onderdelen dermate verslechteren dat ze niet meer functioneren (doorgeroest of doorgebrand) binnen het tijdsbestek van de garantiestedking, dan zal een vervangend onderdeel geleverd worden.

Het vervangende onderdeel is de volledige verantwoordelijkheid van NAPOLEON zoals gedefinieerd in deze Beperkte Garantie; in geen geval is NAPOLEON aansprakelijk voor installatiekosten, arbeidskosten-, of enige andere kosten of uitgaven die voortvloeien uit de herinstallatie van een garantie-item, voor enig incidentele, resulterende of indirecte schade of voor eventuele transportkosten, arbeidskosten of exporttarieven.

Deze Beperkte Garantie bestaat naast mogelijke rechten voortvloeiend uit lokale wetgeving. Daarnaast verplicht deze Beperkte Garantie NAPOLEON niet tot het in voorraad houden van reserve-onderdelen. NAPOLEON kan, naar eigen goeddunken en gebaseerd op de verkrijgbaarheid van onderdelen, volledig aan haar verplichtingen voldoen door de klant een evenredig krediet te verlenen voor een nieuw product. Na het eerste jaar kan NAPOLEON, met het oog op deze Beperkte Garantie, naar eigen goeddunken alle door deze garantie opgelegde verplichtingen volledig nakomen door de originele koper de groothandelsprijs van alle defecte onderdelen met een geldige garantie terug te betalen.

Wanneer u een beroep doet op de garantie van NAPOLEON, heeft u de verkoopfactuur of een kopie daarvan nodig, samen met een serienummer en het modelnummer. NAPOLEON behoudt het recht om een vertegenwoordiger ieder product of onderdeel te laten inspecteren alvorens een garantieclaim te honoreren. U moet contact opnemen met de klantenservice van NAPOLEON of een geautoriseerde NAPOLEON-dealer om de voordelen van de garantiestedking te verkrijgen.



www.napoleon.com

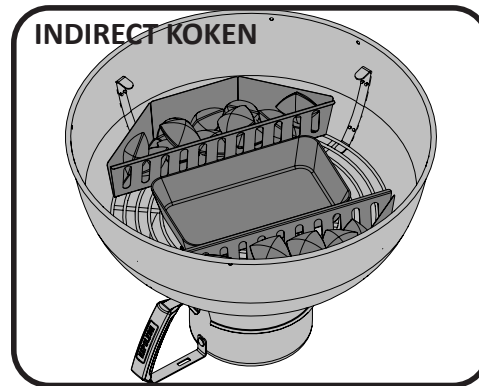
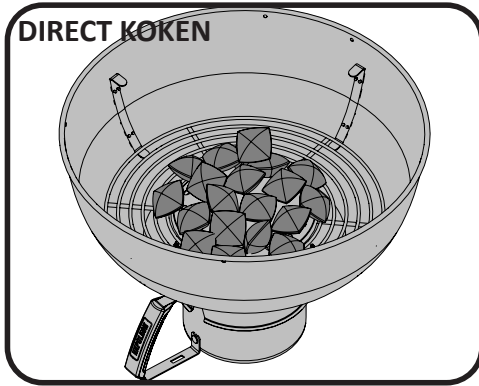


WAARSCHUWING! Het niet nauwkeurig volgen van deze instructies kan leiden tot door vuur veroorzaakt letsel en in het uiterste geval de dood.

Veilige Werkwijzen

- Lees de volledige handleiding voordat u de grill gebruikt.
- Onder geen beding mag deze grill worden gemodificeerd.
- Volg de aansteekinstructies zorgvuldig bij het gebruik van de grill.
- Steek het houtskool niet aan wanneer de deksel gesloten is.
- Buig niet over grill bij het aansteken.
- Gebruik geen benzine, alcohol, of andere licht ontvlambare vloeistoffen om houtskool te ontsteken.
- Gebruik ALLEEN aanmaakvloeistof die is goedgekeurd voor het aansteken van houtskool. Zorg ervoor dat voor het aansteken van de houtskool alle vloeistoffen die zijn afgevoerd via de onderkant van de grill zijn verwijderd.
- Aanmaakvloeistof voor houtskool mag nooit worden toegevoegd aan hete of zelfs warme kolen.
- Na gebruik en voor ontsteking moet de fles met aanmaakvloeistof voor houtskool afgesloten worden en opgeslagen worden op een veilige afstand van de grill, minstens 8 m.
- Houd kinderen en huisdieren uit de buurt van een hete grill. Laat kinderen NIET in de kast klimmen.
- Laat de grill niet onbeheerd achter wanneer deze in gebruik is.
- Verplaats de grill niet wanneer deze heet is of in gebruik.
- Deze grill mag niet worden geïnstalleerd in of op recreatieve voertuigen en/of boten.
- Deze grill mag alleen buiten in een goed geventileerde ruimte worden opgeslagen en mag niet worden gebruikt binnen een gebouw, garage, op een veranda met gaas, tuinhuisje of een gesloten ruimte.
- Houd gepaste afstand tot brandbare stoffen, 1,5 m rondom. Deze afstand is ook aanbevolen in de buurt van vinyl gevelbeplating of ruiten van glas. De grill mag niet worden gebruikt op brandbare oppervlakken (houten of composiet dekken of portieken).
- Houd de ventilatieopeningen van de behuizing vrij en vrij van vuil.
- Gebruik het apparaat niet onder een brandbare constructie.
- Gebruik deze grill niet onder boven bedekkingen zoals dakbedekkingen, stallingen, zonneschermen etc.
- Plaats de grill niet in een te winderige omgeving. Sterke wind heeft een negatieve invloed op de prestaties van de grill.
- De deksel moet gesloten worden tijdens het voorverwarmen.
- De as/vetopvangbak moet op zijn plek zijn wanneer de grill gebruikt wordt.
- Reinig de as/vetopvangbak regelmatig om vetopbouw te voorkomen. Anders kan er een vetbrand ontstaan.
- Gebruik de zijplanken niet voor opslag van aanstekers, lucifers of andere brandbare stoffen. Grill does not have side shelves (zijplanken)
- De grill moet te allen tijden op een vlakke ondergrond staan.
- Gebruik geen water om opflakkerende vlammen of kolen te blussen, dit kan de afwerking van uw grill beschadigen.
- Om oplaaiende vlammen te doven, sluit de openingen van uw grill een beetje. Om het vuur te doven, sluit alle ventilatiegaten en de deksel volledig.
- Gebruik het juiste gereedschap voor grillen met lange, hittebestendige handgrepen.
- Gebruik barbecuehandschoenen of pannelappen om uw handen te beschermen tijdens het grillen of het reguleren van de ventilatieopeningen.
- Verwijder de as van de grill niet totdat alle houtskool volledig is uitgebrand en volledig uitgeblust is. Geef ruim de tijd om af te koelen.
- Resterende houtskool en as dienen te worden verwijderd van de grill en opgeslagen worden in een niet-brandbare metalen container. Zorg ervoor dat deze 24 uur in de metalen container blijven voordat deze worden verwijderd.
- Houd elektrische bedrading uit de buurt van water of hete oppervlakken.

Instructies voor het aansteken



Gebruik van houtskool

Grill Diameter	Methode van koken	Houtskool Aanbevolen
22" (56cm)	Direct koken	50
22" (56cm)	Indirect koken	25 per kant *(Voeg 8 per kant toe voor elk bijkomend uur van de kooktijd)

* Houtskool aanbevelingen zijn bij benadering, bij langere kooktijden moet extra kool worden toegevoegd. Ook zal bij lagere temperaturen en winderige condities extra houtskool benodigd zijn om de ideale temperatuur te bereiken.



WAARSCHUWING! Open deksel.

WAARSCHUWING! Plaats de grill buitenshuis op een stevig, vlak, niet-brandbaar oppervlak. Gebruik de grill nooit op houten of andere oppervlakken die kunnen branden.

WAARSCHUWING! Buig niet over grill bij het aansteken van houtskool.

WAARSCHUWING! Aslade moet op zijn plaats zijn gedurende het aansteken en op elk moment tijdens het gebruik.

DIRECTE KOOKMETHODE	INDIRECTE KOOKMETHODE
1. Zet de ventilatieopening van de deksel en de basis volledig open. Verwijder de grilldeksel en verwijder het grillrooster.	1. Zet de ventilatieopening van de deksel en de basis volledig open. Verwijder de grilldeksel en verwijder het grillrooster.
2. Zorg ervoor dat de as van het vorige gebruik in de aslade is verwijderd en installeer deze opnieuw.	2. Zorg ervoor dat de as van het vorige gebruik in de aslade is verwijderd en installeer deze opnieuw.
3. De grill kan zowel gebruikt worden met of zonder de luchtstroomrichter in het midden. De stroomrichter zal zorgen voor meer gelijke temperaturen en zal de snelheid van het branden in het centrum van de grill vertragen. Gebruik ofwel de Ultrachef Charcoal Starter (niet inbegrepen) volgens de instructies in de handleiding, of plaats aanmaakblokjes of een licht verkreukelde krant op en rond de luchtstroomrichter. Plaats de houtskool in een kegelvormige stapel in het midden van het apparaat op de krant of aanmaakblokjes.	3. Verwijder het luchtstroomrichter in het midden en installeer een lekbak. Plaats de optionele houtskool manden (optioneel) aan weerszijden van de lekbak. Gebruik ofwel de Ultrachef Charcoal Starter (niet inbegrepen) volgens de instructies in de handleiding, of plaats aanmaakblokjes of een licht verkreukelde krant op en rond de luchtstroomrichter. Plaats de houtskool in een kegelvormige stapel in het midden van het apparaat op de krant of aanmaakblokjes.
4. Steek de krant of aanmaakblokjes aan. Eenmaal volledig aangestoken, sluit de deksel en laat de houtskool branden totdat het is bedekt met een licht grijze as (ongeveer 20 minuten).	4. Steek de krant of aanmaakblokjes aan. Eenmaal volledig aangestoken, sluit de deksel en laat de houtskool branden totdat het is bedekt met een licht grijze as (ongeveer 20 minuten).
5. Met gebruik van een tang met lange hittebestendige handgrepen, verspreid de kolen gelijkmatig over het gehele rooster (met inbegrip van de luchtstroomrichter in het midden).	



Aanmaakvloeistof kan worden gebruikt om de houtskool aan te steken, maar het is niet de voorkeursmethode. Het kan morsig zijn en een chemische smaak achterlaten op het voedsel wanneer het niet geheel van de houtskool is afgebrand voor gebruik. Eenmaal aangestoken, voeg nooit meer aanmaakvloeistof toe aan de grill. Bewaar de fles tenminste 25 ft (8 m) uit de buurt van de grill tijdens gebruik.

Veilige gebruikshandelingen bij het aansteken van houtskool



WAARSCHUWING!

- Uitsluitend voor gebruik buitenshuis.
- Maak geen gebruik van de houtskool starter, tot het geplaatst kan worden op een stevig, vlak houtskoolrooster en de houtskool grill op een stevig, vlak, niet-brandbaar oppervlak is.
- Zet de houtskool starter niet op een brandbaar oppervlak, tenzij de houtskool starter volledig is afgekoeld.
- Maak geen gebruik maken van aanstekervloeistof, benzine of zelf ontbrandende houtskool in de houtskool starter.
- Maak alleen gebruik van de houtskool starter om houtskool aan te steken voor barbecues.
- Draag altijd beschermende handschoenen bij het hanteren van de houtskool starter.
- Houd kinderen en huisdieren te allen tijde uit de buurt van de houtskool starter.
- Geen gebruik maken van de houtskool starter bij hoge windsnelheden.
- Laat de houtskool starter niet onbeheerd achter wanneer in gebruik.
- Buig niet over de houtskool starter bij het aansteken van houtskool.
- Maak nooit gebruik van de houtskool starter voor een ander dan het beoogde gebruik. Geen gebruik van de houtskool starter om voedsel te bereiden.
- Wees uiterst voorzichtig bij het verwijderen van hete kolen uit de houtskool starter.

HOUTSKOOL STARTER



NL

Gebruik van de houtskool starter

- Draai de houtskool starter ondersteboven.
- Verkreukel twee volle vellen krantenpapier en stop ze in de onderkant van de houtskool starter.
- Draai de houtskool starter met goede kant naar boven en plaats het in het midden van de houtskool rooster.
- Voeg een juiste hoeveelheid houtskool toe, maar niet meer dan nodig.
- Steek een lucifer af en steek deze in een van de onderste luchtgaten om de krant aan te steken.
- Wanneer de bovenste laag van de houtskool een dun laagje grijze as heeft, draag beschermende handschoenen om zorgvuldig de hete houtskool op het houtskoolrooster (directe koken methode) of in de houtskool manden (indirecte methode) te plaatsen.
- Zodra de hete houtskool in de grill is geplaatst, verspreid de houtskool gelijkmatig met een tang met lange hittebestendige handgrepen.

Grillen met Houtskool

Houtskool is de traditionele manier van grillen die we allemaal kennen. De gloeiende houtskool straalt infrarode energie uit, dat het voedsel grilt -waarbij het nauwelijks uitdroogt.

Alle sappen en oliën die ontsnappen uit het voedsel, druipen op de houtskool en verdampen in de vorm van rook waardoor het voedsel zijn heerlijke gegrilde smaak krijgt. De houtskoolgrill van Napoleon zorgt door zijn verzengende hitte voor sappigere, lekkerdere steaks, hamburgers en andere vleeswaren. Voor kooktijden en tips: raadpleeg de tabel hieronder. Deze houtskoolgrillgrilltabel is bedoeld als richtlijn. Grilltijden worden beïnvloed door factoren als hoogte, buitentemperatuur, wind en de gewenste gaarheid. Gebruik een vleesthermometer om er zeker van te zijn dat het eten gaar is.

Houtskoolgrilltabel

Gerecht	Directe/Indirecte hitte	Grilltijd	Nuttige tips
Biefstuk 2,5 cm dik	Directe hitte	6-8 min.- Medium	Wanneer u vlees koopt om te barbecueën, bestel dan gemarmerd vlees met fijne dooradering met vet. Dankzij het vet behoudt het vlees tijdens de bereiding zijn natuurlijke malsheid en blijft het vochtig en sappig.
Hamburger 1,25 cm dik	Directe hitte	6-8 min.- Medium	Hamburgers bereiden op bestelling wordt makkelijker gemaakt door te variëren met de dikte van uw burgers. Om het vlees een exotische smaak te geven, kunt u hickoryhoutsnippen toevoegen aan de houtskool.
Stukken kip	Directe warmte ca. 2 min. per zijde. Indirecte warmte voor de resterende 18-20 min.	20-25 minuten.	Het gewricht dat het dijbeen met het been van de ontvelde kant verbindt moet tot 3/4 worden ingesneden zodat het vlees platter op de barbecue komt te liggen. Zo kan het vlees sneller en gelijkmatiger garen. Om een bijzondere smaak aan uw eten toe te voegen, probeer dan eens mesquitehoutsnippen uit op de houtskool.
Karbonades	Directe hitte	10-15 min.	Snijd het overtollige vet af alvorens te grillen. Kies dikkere karbonades voor malsere resultaten.
Spare ribs	Directe warmte gedurende 5 min. Indirecte warmte voor de afwerking	1,5-2 uur draai vaak	Kies ribben die mager en vlezig zijn Grill tot het vlees gemakkelijk van het bot komt.
Lamskoteletten	Directe hitte	25-30 min.	Snijd het overtollige vet af alvorens te grillen. Kies dikkere koteletten voor malsere resultaten.
Hotdogs	Directe hitte	4-6 min.	Kies voor grotere hotdogs. Snijd het vel in de lengte in voor het grillen.

Grillinstructies

De eerste keer aansteken: Wanneer de grill voor de eerste keer wordt aangestoken geeft deze een lichte geur af. Dat is normaal en is maar heel tijdelijk. Het gaat om het "inbranden" van verf en smeermiddelen binnenin die werden gebruikt tijdens de productie en dit zal zich niet herhalen. Laat de grill gewoon ongeveer 30 minuten branden met de ventilatieopeningen volledig open.

Gebruik van de grill: Wij raden aan de grill voor te verwarmen door deze te met gesloten deksel ongeveer 20 minuten te laten branden. De houtskool is klaar als er een dun laagje grijze as op ligt. Voedsel dat niet lang hoeft te worden gegrild (vis, groenten) kan met de deksel open worden gegrild. Grillen met gesloten deksel zorgt voor hogere, gelijkmatiger verdeelde temperaturen die de benodigde grilltijd reduceren en het voedsel gelijkmatiger gaart. Bij het grillen van zeer mager vlees, zoals kipfilet of mager varkensvlees, kunnen de roosters worden geolied voor het voorverwarmen om plakken te verminderen. Het grillen van vlees met een hoog vetgehalte kan leiden tot oplaaiende vlammen. Trim het vet of te verlaag de temperatuur om dit tegen te gaan. Als vlammen versterkt optreden, verplaats het voedsel en verminder de hitte (sluit de ventilatieopening). Laat de deksel open.

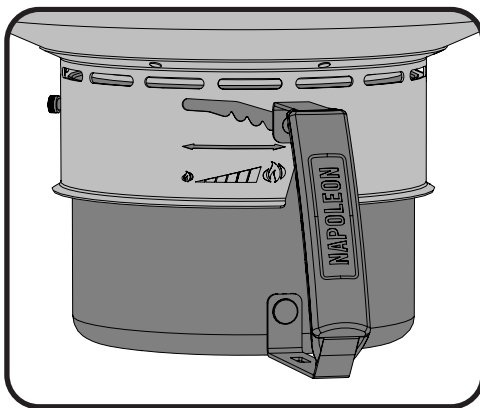
Algemeen geldt, dat u ongeveer 50 briketten nodig hebt voor het koken van 1 kg vlees. Wanneer meer dan 30 tot 40 minuten gegrild wordt, dienen er extra briketten aan het vuur te worden toegevoegd. Als het weer is koud en winderig is, moet u meer briketten toevoegen om de ideale kooktemperaturen te bereiken.

Toevoegen van houtskool tijdens het koken: Wees voorzichtig met het toevoegen van houtskool op de grill. Vlammen kunnen oplaaien wanneer kolen in contact komen met frisse lucht. Neem een stap terug en gebruik op een veilige afstand een lange, hittebestendige tang om meer houtskoolbriketten toe te voegen. Er zijn kleppen aan weerszijden van het grillrooster die toegang tot het houtskoolrooster verlenen.

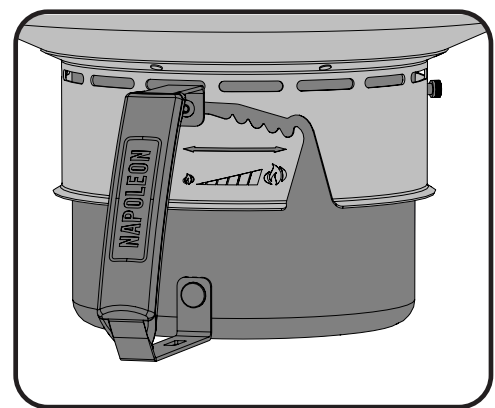


WAARSCHUWING! aanmaakvloeistof voor houtskool mag nooit worden toegevoegd aan hete of warme kolen. Zodra de houtskool is ontstoken is er geen vloeistof meer nodig.

Bedienen van de Ventilatieopeningen: Ventilatieopeningen van de deksel op een overdekte grill zijn meestal open gelaten om lucht in de grill toe te laten. Lucht verhoogt de brandtemperatuur van de kolen. U kunt de temperatuur reguleren door de schuif naar rechts of links te bewegen. Het gedeeltelijk of volledig sluiten van de openingen zal helpen om de kolen af te koelen. Sluit de ventilatieopeningen niet, tenzij u probeert de grill af te koelen of voor een vlam te doven.



Open Ventilatie Openingen



Sluiten Ventilatie Openingen

Veiligheid na het grillen



WAARSCHUWING! Om uzelf en uw woning tegen schade te beschermen, volg deze veiligheidsmaatregelen nauwkeurig.

- Sluit de deksel van de grill en alle ventilatieopeningen om het vuur te doven.
- Laat de grill altijd volledig afkoelen voor met schoonmaken te beginnen.
- Laat kolen en as in de grill nooit brandend achter. Zorg ervoor, dat kolen en as volledig zijn gedooft alvorens deze te verwijderen.
- Gebruik een metalen spatel of schep om de resterende kolen en as uit de grill te verwijderen. Vervoer ze in een niet-brandbare bak, blus met water. Laat het 24 u staan voor het bv. in een kliko te doen.

Onderhoud- en reinigingsinstructies

Het is aanbevolen dat de asbak/vetpan wordt geleegd na elk gebruik.



NL

WAARSCHUWING! Zorg ervoor dat de grill afgekoeld is en alle kolen volledig zijn gedoofd voor u onderhoud uitvoert.

WAARSCHUWING! Draag altijd beschermende handschoenen en een veiligheidsbril bij het schoonmaken van uw grill.

WAARSCHUWING! Gebruik geen hogedrukreiniger om (een deel van) de grill schoon te maken.

WAARSCHUWING! Om de mogelijkheid van brandwonden te voorkomen, mag onderhoud alleen worden uitgevoerd wanneer de grill is afgekoeld. Vermijd onbeschermd contact met hete delen. Maak de grill schoon op een plaats waar reinigingsmiddelen niet schadelijk zijn voor terras, gazon, of patio. Gebruik geen ovenreiniger. Maak geen gebruik van een zelfreinigende oven om grillroosters of andere onderdelen van de grill schoon te maken. Barbecuesaus en zout zijn corrosief en kunnen snelle slijtage van onderdelen veroorzaken als deze niet regelmatig worden schoongemaakt.

Roosters en warmhoudrooster: De roosters en het warmhoudrooster maakt u bij voorkeur schoon tijdens het voorverwarmen, met behulp van een zachte messing borstel. Voor hardnekkige vlekken mag u ook staalwol gebruiken.

Reiniging van de binnenkant van de grill: Verwijder de roosters. Gebruik een messing draadborstel om los materiaal van de kom en de binnenkant van de deksel te geven. Schraap de binnenkant van de kom met een plamuurmes of schraper, en gebruik een draadborstel om as te verwijderen. Veeg al het materiaal van binnen de grill in de uitneembare as/lekbak. Indien gewenst, kunt u de binnenkant van de grill wassen met een mild reinigingsmiddel en water. Spoel goed af met schoon water en wrijf droog.

WAARSCHUWING! Opgesloopt vet is een brandgevaar. Reinig de lekbak na elk gebruik om vetopbouw tegen te gaan.

As-/lekbak: As en vet gaan naar de as-/lekbak, hangend onder de grill, en hoopt zich daar op. Verwijder de bak voor het schoonmaken. Bekleed de pan nooit met aluminiumfolie, zand of andere stoffen, omdat dit de correcte opvang van vet verhindert. De pan kan uit worden geschrapt met een plamuurmes of schraper, en alle resten moeten in een niet-brandbare opvangbak geborsteld worden. Was de as-/lekbak met een mild wasmiddel en water. Spoel goed af met schoon water en wrijf droog.

Reiniging van de buitenkant van de grill: Reinig geverfde, geëmailleerde of roestvrijstalen onderdelen niet met schurende schoonmaakmiddelen. Geëmailleerde onderdelen dienen extra voorzichtig te worden behandeld. Het email kan barsten als je er op slaat. Om het email te repareren kunt u evt. email-touch-up gebruiken. De buitenkant van de barbecue met lauw zeepsop schoonmaken. Reinig de roestvrijstalen delen met een schoonmaakmiddel voor roestvrij staal of met een niet-schurend product. Veeg altijd met de draad mee. Staalwol maakt krassen in de afwerking en mag niet worden gebruikt.

Roestvrijstalen onderdelen verkleuren (ze worden goudkleurig of bruin) bij gebruik. Dat is normaal en beïnvloedt de werking van de grill niet.

Gietijzeren roosters: De gietijzeren roosters van uw nieuwe grill bieden u superieure warmteopname en geleiding. Door uw roosters regelmatig in te vetten brengt u een beschermende coating aan, die helpt het rooster meer roestbestendig te maken en die de anti-aanbak eigenschappen van het rooster verbetert.

Bij ingebruikname: Was de roosters met de hand met een milde zeep en water om eventueel residu van het productie proces te verwijderen. (was nooit in een vaatwasser) spoel roosters grondig af met heet water en droog ze compleet af met een zachte doek. Dit is belangrijk zodat er geen vochtigheid in het gietijzer binnendringt.

Invetten: gebruik een zachte doek, en verdeel een plantaardige olie over het gehele rooster oppervlak en zorg dat alle hoeken en groeven goed ingevet zijn. Gebruik geen gezouten vetten boter of margarine. Verwarm uw grill 15 minuten voor, plaats vervolgens de ingevette roosters in de grill. Draai de regelaars naar medium en sluit het deksel. Laat uw roosters gedurende een half uur verwarmen. Zet alle branders in de 'OFF' positie en draai het gas bij de bron dicht. Lat de roosters afkoelen. Deze procedure dient u gedurende het seizoen een aantal malen te herhalen, alhoewel dit niet noodzakelijk is bij dagelijks gebruik. (Volg onderstaande instructie bij dagelijks gebruik.)

Dagelijks gebruik: Alvorens uw grill voor te verwarmen en te reinigen met een messing draadborstel, vet u de bovenzijde van het rooster in met plantaardige olie. Verwarm uw grill voor en borstel overtollig residu weg met een messing draadborstel.

Oplossing van probleem

Probleem	Mogelijke oorzaken	Oplossing
Lage hitte/laag vuur.	Onjuiste voorverwarming. Niet genoeg luchtstroom. Weinig houtskool. De deksel wordt te vaak geopend.	Laat houtskool branden totdat het bedekt is met een licht grijze as. (Meestal 20-25min). Open ventilatieopeningen. Voeg meer houtskool toe. Grill grillgoed met de deksel dicht. Elke keer als de deksel wordt geopend, daalt de temperatuur. Dit leidt tot lagere temperaturen en langere kooktijden.
Overmatig oplaaiende vlammen/ongelijke hitte.	Onjuiste voorverwarming. Te veel vet en as opgebouwd in de as/lekbak.	Verwarm de grill met gesloten deksel voor, 20 - 25 minuten en de verspreid de kolen gelijkmatig. Maak de as/lekbak regelmatig schoon. Bekleed de pan niet met aluminiumfolie. Raadpleeg de reinigingsvoorschriften.
Verf lijkt af te bladderen van de binnenkant van de deksel of kap.	Opeenhoping van vet op oppervlaktes van de binnenkant.	Dit is geen defect. De finish van de deksel is geëmailleerd en zal niet afbladderen. Het afbladderen wordt veroorzaakt door opgedroogd vet, dat na verloop van tijd afbladdert. Regelmatig schoonmaken voorkomt dit. Zie reinigingsvoorschriften.

Houtskoolgrillen, Samenvatting

Aansteken van uw grill

- Vóór de eerste keer grillen, raden we aan de grill 30 minuten te laten branden, met de ventilatieopeningen van de deksel en de basis volledig open. Dit zal alle smeermiddelen, die worden gebruikt in het productieproces, verbranden.
- Open de ventilatieopening van de deksel en de basis volledig, iedere keer dat u uw grill aansteekt.
- Zorg ervoor dat de aslade schoon en op zijn plaats is.
- De grill kan zowel gebruikt worden met of zonder de luchtverdeler in het midden. De luchtverdeler zorgt voor gelijkmatigere temperaturen en zal de brandsnelheid in het midden van de grill reduceren.
- Gebruik ofwel de 67800 Charcoal Starter (niet inbegrepen) volgens de instructies in de handleiding, of plaats aanmaakblokjes of een licht verkreukelde krant plaats op en rond de luchtverdeler. Plaats de houtskool in een kegelvormige stapel in het midden van de grill (directe kookmethode) of in de optioneel verkrijgbare houtskoolmanden (indirecte methode).
- Eenmaal volledig aangestoken, sluit de deksel en laat de houtskool branden totdat het met licht grijze as is bedekt (ongeveer 20 minuten), schik de houtskool met een tang met hittebestendige handvaten volgens de gekozen grillmethode.
- Aanmaakvloeistof kan worden gebruikt om de houtskool aan te steken, maar het is niet de voorkeursmethode. Er kan een chemische smaak aan het eten zitten als niet het volledig verbrandt, voordat het eten gekookt wordt. Eenmaal aangestoken, voeg geen aanmaakvloeistof toe aan de grill. Bewaar de fles tenminste 8m van de grill tijdens gebruik.
- Extra rookaroma kan verkregen worden door het toevoegen van roker chips die beschikbaar zijn in vele smaken. Vraag uw Napoleon-dealer.

Koken met uw grill

- Wij raden aan om de grill voor te verwarmen door deze met gesloten deksel ongeveer 20 minuten te laten branden. De grill is klaar als de houtskool een dun laagje grijze as heeft.
- Als vuistregel: reken voor gebruik van ongeveer 50 briketten voor het koken van 1 kg vlees. Wanneer langer dan 30 tot 40 minuten gegrild wordt, dienen extra briketten te worden toegevoegd. Bij kou of wind moet u meer briketten toevoegen om de ideale kooktemperatuur te bereiken.
- Wees voorzichtig met het toevoegen van houtskool. Vlammen kunnen oplaaien. Hou afstand en gebruik een lange, hittebestendige tang om meer houtskoolbriketten toe te voegen.
- Ventilatieopeningen van de deksel zijn meestal open om lucht toe te laten. Zuurstof verhoogt de temperatuur van de houtskool. U kunt de grilltemperatuur reguleren door de schuif naar rechts of links te bewegen.
- Laat het grillgoed koken met de deksel dicht. Elke keer als de deksel wordt geopend, daalt de temperatuur. Dit leidt en langere kooktijden.
- Het gedeeltelijk of volledig sluiten van de openingen zal helpen om de kolen af te laten koelen. Sluit de ventilatieopeningen niet, tenzij u probeert om de grill af te koelen of om vlammen te doven.
- Het grillrooster kan voor het voorverwarmen worden ingeolied om kleven tegen te gaan.
- Gebruik een vleesthermometer om er zeker van te zijn dat het vlees gaar is.

Schoonmaken van de grill

- Sluit de deksel van de grill en alle ventilatieopeningen om het vuur te doven.
- Laat de grill altijd volledig afkoelen alvorens de binnenkant aan te raken.
- Laat kolen en as niet in de grill nooit brandend achter. Zorg ervoor, dat kolen en as volledig zijn gedoofd voor u deze verwijdert.
- Gebruik een metalen spatel of schep om de resterende kolen en as uit de grill te verwijderen. Doe ze in een niet-brandbare (metalen) houder en doof ze volledig met water. Laat ze 24 open liggen, alvorens ze in de vuilnisbak te gooien.
- Gebruik een messing borstel om los materiaal te verwijderen van de kom en de binnenkant van het deksel.
- Indien gewenst, kunt u de binnenkant van de grill wassen met een mild reinigingsmiddel en water. Spoel goed af met schoon water en wrijf droog.
- Geëmailleerde onderdelen moeten met extra zorg worden behandeld. De email finish is glasachtig, en kan door een stoot of klap afbreken.

BEWAAR UW AANKOOPBEWIJS VOOR EVENTUELE GARANTIEAANVRAGEN:

RESERVEONDERDELEN BESTELLEN BELANGRIJKE-INFORMATIE

MODEL: _____

AANKOOPDATUM: _____

SERIENUMMER: _____

(Vul in om later makkelijk terug te kunnen vinden)

Voor reserveonderdelen kunt u contact opnemen met de Napoleon-dealer waar het product is gekocht. Bezoek de Napoleon Grills website voordat u met de dealer contact opneemt voor uitvoerige instructies m.b.t. schoonmaken, troubleshooten en onderhoud: www.napoleongrills.nl.

Om een garantieaanvraag in te dienen vragen we om de volgende informatie:

1. Model- en serienummer van het apparaat.
2. Artikelnummer en -beschrijving.
3. Een beknopte probleembeschrijving ('kapot' is niet toereikend).
4. Aankoopbewijs (kopie van de rekening).

In sommige gevallen kan Napoleon verzoeken de gereclameerde onderdelen terug te sturen voor inspectie, voordat reserveonderdelen geleverd worden.

NB: Voor u contact met uw dealer opneemt, het volgende is niet onder garantie gedekt:

- Verzendkosten, commissies, exportheffingen.
- Arbeidstijd en -kosten van de reparatie.
- Communicatiekosten t.b.v. de probleemdiagnose.
- Verkleuring van roestvast staal.
- Defecten veroorzaakt door gebrekkige reiniging en/of gebrekkig onderhoud, of door verkeerd gebruik van reinigingsmiddelen (ovenreiniger en agressieve chemicaliën).



Notes

NL

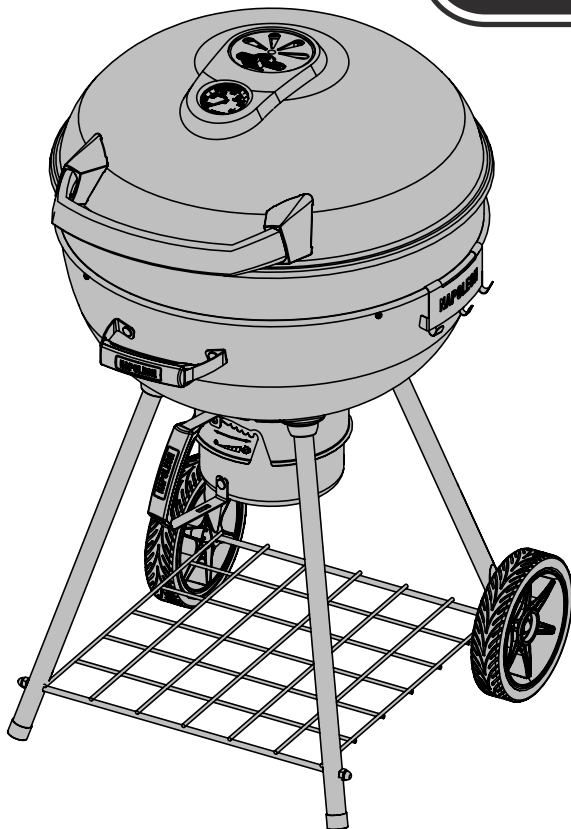


HINWEISE ZUR VERWENDUNG; WARTUNG UND PFLEGE

DIESEN GRILL NUR IM FREIEN AN EINEM GUT BELÜFTETEN ORT VERWENDEN

BEWAHREN SIE DIESES HANDBUCH ZUR WEITEREN REFERENZ AUF

HOLZKOHLENGRILL FÜR DEN AUSSENGEBRAUCH



PRO22K-LEG-2

DE



ACHTUNG

Erst den Abschnitt ‚Zündanleitung‘ lesen vor Sie den Grill zünden.



GEFAHR

Betreiben Sie den Grill nicht in geschlossenen und/oder bewohnbaren Räumen, z:B. Gebäuden, Zelten, Wohnwagen, Wohnmobilen Booten. Es besteht Lebensgefahr durch Kohlenmonoxid Vergiftung



WARNUNG! Nichtbefolgung dieser Anweisungen kann zu Bränden mit schweren Verletzungen oder Tod führen.

Wolf Steel Europe BV
De Riemsdijk 22, 4004 LC, Tiel
The Netherlands
eu.info@napoleon.com

Napoleon President Beschränkte Garantie



Hochwertige Komponenten und Materialien bilden die Grundlage der NAPOLEON Produkte. Sie werden von gelernten Handwerkern, denen ihre Arbeit mit großem Stolz erfüllt, montiert. Dieses Produkt wurde durch einen Fachmonteur gründlich geprüft, bevor es verpackt und ausgeliefert wurde, um zu garantieren, dass Sie, der Kunde, das erwartete Qualitätsprodukt von NAPOLEON erhalten.

NAPOLEON garantiert, dass die Bestandteile Ihres neuen NAPOLEON Produkts ab dem Kaufdatum für den folgenden Zeitraum frei von Material- und Arbeitsfehlern sein werden:

Porzellan-Emaillierter Deckel und Kessel	10 Jahre
Luftregulierung	5 Jahre voller Umfang, abzüglich 50 % bis zum 10. Jahr
Grillroste aus porzellanbeschichtetem Gusseisen	5 Jahre voller Umfang, abzüglich 50 % bis zum 10. Jahr
Verchromte Grillroste	3 Jahre voller Umfang, abzüglich 50 % bis zum 10. Jahr
Alle anderen Teile	2 Jahre

*Bedingungen und Beschränkungen

Diese beschränkte Garantie bewirkt eine wie zuvor in der Aufstellung aufgeführte Garantiefrist für jedes bei einem autorisierten NAPOLEON Händler erworbene Produkt und berechtigt den ursprünglichen Käufer, entsprechend den geltenden Bestimmungen hinsichtlich des Komponentenaustauschs innerhalb der Garantiefrist, zu den entweder durch NAPOLEON oder einen autorisierten NAPOLEON Händler zu erbringenden Garantieleistungen. Diese beziehen sich auf den Austausch einer Komponente eines solchen Produkts, das im normalen Privatgebrauch infolge eines Herstellungsfehlers ausfiel. „Abzüglich 50 %“, wie in der Aufstellung genannt, bedeutet, dass die Komponente dem Käufer für den angegebenen Zeitraum mit 50 % Rabatt auf den regulären Verkaufspreis der Komponente angeboten wird. Diese beschränkte Garantie umfasst weder Zubehör noch Extrateile.

Um Missverständnissen vorzubeugen, „normaler Privatgebrauch“ eines Produkts bedeutet, dass das Produkt durch einen lizenzierten, autorisierten Servicetechniker oder Auftragnehmer in Übereinstimmung mit der dem Produkt beigelegten Installationsanleitung sowie allen lokalen und nationalen Bauverordnungen und Feuerschutzbestimmungen installiert wurde, dass es ordnungsgemäß gepflegt wurde und dass es nicht als Gemeinschaftsvorrichtung oder gewerblich genutzt wurde.

„Ausfallen“ beinhaltet nicht: übermäßige Hitzeerzeugung; Erlöschen der Flammen infolge von Umgebungsbedingungen wie starkem Wind oder unzureichender Luftzirkulation; Kratzer; Beulen; Rostbildung; Abnutzung von aufgetragenen Lackierungen und Plattierungen; durch Hitzeeinwirkung, scheuernde oder chemische Reinigungsmittel oder UV-Bestrahlung verursachte Verfärbung; Beschädigung porzellan-emaillierter Teile oder Schäden, die verursacht wurden durch unsachgemäße Nutzung, Unfall, Hagel, Fettbrand, mangelnde Pflege, widrige Umgebungseinflüsse wie Salz oder Chlor, Umbau, Nachlässigkeit oder installierte

Teile von anderen Herstellern. Sollten sich während der gewährten Garantiefrist Teile so sehr abnutzen, dass die Nutzung nicht mehr möglich ist (durchgerostet oder -gebrannt), werden die entsprechenden Ersatzteile bereitgestellt.

NAPOLEON ist gemäß dieser beschränkten Garantie einzig für die Ersatzkomponente verantwortlich. Unter keinen Umständen wird NAPOLEON Verantwortung übernehmen für Installation, Arbeitskräfte oder jegliche andere Kosten im Zusammenhang mit der Installation eines im Garantiebereich enthaltenen neuen Teils; für Neben-, Folge- oder indirekte Schäden oder für Fracht, Arbeitskosten oder Ausfuhrzölle.

Diese beschränkte Garantie gilt in Ergänzung zu jeglichen Rechten, die Ihnen laut den örtlichen Gesetzen zustehen. Folglich erlegt diese beschränkte Garantie NAPOLEON keine Verpflichtung dahingehend auf, Einzelteile vorrätig zu halten. Auf der Grundlage der Einzelteilverfügbarkeit kann sich NAPOLEON nach eigenem Ermessen von allen Verpflichtungen entbinden, indem dem entsprechenden Kunden eine anteilige Gutschrift beim Kauf eines neuen Produkts gewährt wird. Nach dem ersten Jahr kann sich NAPOLEON in Bezug auf diese beschränkte Garantie nach eigenem Ermessen von allen Verpflichtungen hinsichtlich dieser Garantie vollständig entbinden, indem dem ursprünglichen und ein Garantieanspruch zustehenden Käufer der Großhandelspreis eines jeden im Garantiebereich enthaltenen aber defekten Einzelteils erstattet wird.

Für die Geltendmachung von Garantieansprüchen bei NAPOLEON sind der Kaufvertrag oder eine Kopie dessen sowie die Serien- und Modellnummer erforderlich. NAPOLEON ist das Recht vorbehalten, durch einen damit beauftragten Vertreter jedes Produkt oder Teil prüfen zu lassen, bevor einem Garantieanspruch stattgegeben wird. Sie müssen sich an den NAPOLEON Kundendienst oder einen autorisierten NAPOLEON Händler wenden, um von der angebotenen Garantie profitieren zu können.



www.napoleon.com



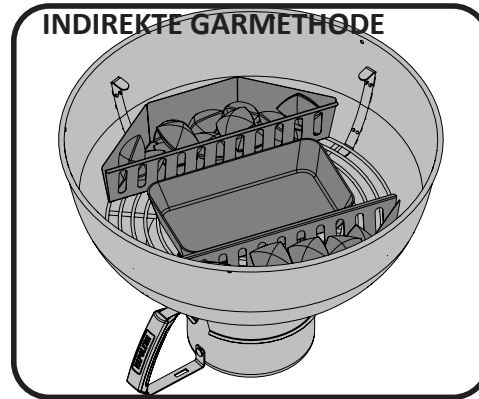
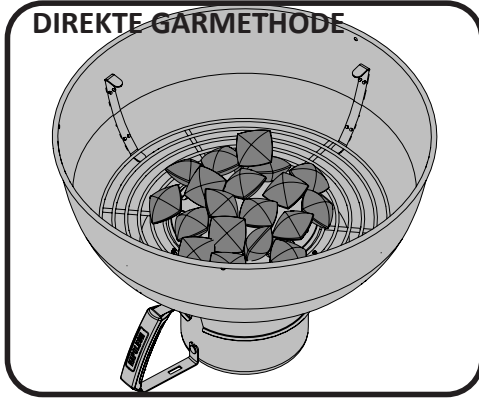
ACHTUNG! Nichtbefolgung dieser Anweisungen kann zu Bränden mit schweren Verletzungen oder zum Tod führen. Lesen Sie die Sicherheitshinweise sorgfältig und leisten Sie diesen Folge bevor Sie den Grill in Betrieb nehmen.

Warn- und Sicherheitshinweise

- Lesen Sie dieses Handbuch vollständig durch, bevor Sie den Grill in Betrieb nehmen.
- Dieser Grill darf unter keinen Umständen baulich verändert oder modifiziert werden.
- Folgen Sie beim Betrieb des Grills sorgfältig allen Anweisungen für das Anzünden.
- Kohle niemals bei geschlossener Grillhaube zünden.
- Lehnen Sie sich beim Anzünden der Holzkohle nicht über den Grill.
- Den Grill nicht mit Benzin, Alkohol oder anderen hochentzündlichen Flüssigkeiten zünden. Ausschließlich speziell für Holzkohle hergestellte flüssigen Grillanzünder verwenden. Flüssige Grillanzünder, die sich in der Schale angesammelt haben, vor dem Zünden entfernen.
- Flüssiger Grillanzünder nicht auf heiße oder warme Kohle gießen.
- Den Zündflüssigkeitsbehälter nach Verwendung verschließen und während des Anzündens und Betriebs mindestens 8 m vom Grill entfernt aufbewahren.
- Kinder und Haustiere vom heißen Grill fernhalten, Kinder NICHT in den Unterschrank klettern lassen.
- Den Grill niemals unbeaufsichtigt lassen, wenn er in Betrieb ist.
- Den Grill nicht bewegen, solange er heiß oder in Betrieb ist.
- Dieser Grill ist nicht zum Einbau in Wohnwagen/Wohnmobilen und/oder Booten vorgesehen.
- Den Grill nur im Freien an einem gut belüfteten Ort lagern. Niemals in einem Gebäude, einer Garage, einem Wintergarten, Gartenpavillion oder anderen geschlossenen Bereichen/Räumen benutzen.
- Ausreichenden Abstand zu brennbaren Materialien einhalten (1,5 m an allen Seiten). Zusätzlicher Abstand ist empfehlenswert, wenn das Gerät in der Nähe von Vinyl-Verkleidungen oder großen Fensterscheiben aufgestellt wird. Den Grill nicht auf einem brennbaren Untergrund (Balkone oder Terrassen aus Holz und/oder anderen brennbaren Baumaterialien) verwenden.
- Stellen Sie sicher, dass die Lüftungslöcher des Zylinders stets frei von Schmutz und Ablagerungen sind.
- Gerät niemals unter einer ungeschützten brennbaren baulichen Struktur betreiben.
- Den Grill nicht unter baulichen Strukturen, z. B. Dächer, überdachte Stellplätze, Markisen oder Dachvorsprünge, aufstellen oder betreiben.
- Gerät nur an einem windgeschützten Ort aufstellen. Die Kochleistung des Grills wird durch starke Windeinwirkung beeinträchtigt.
- Grillhaube während der Vorwärmzeit geschlossen halten.
- Während des Grillbetriebs muss der Asche-/Fett-Auffangbehälter eingesetzt sein.
- Asche- und Fett-Auffangbehälter regelmäßig reinigen, um Fettsammlungen zu vermeiden, die zu Fettbränden führen können.
- Die Seitenablagen nicht für die Aufbewahrung von Feuerzeugen, Streichhölzern oder anderen brennbaren Materialien verwenden.
- Der Grill sollte stets auf einem ebenen Untergrund aufgestellt oder gelagert werden.
- Zum Löschen von Flammen oder brennenden Kohlen niemals Wasser verwenden, da dies die Beschichtung (Finish) des Grills beschädigen kann.
- Flammen/Aufflammen können durch leichtes Schließen der Lüftungsschlitze am Grill kontrolliert werden. Zum vollständigen Löschen von brennender Kohle/Feuer, alle Lüftungsschlitze und Haube vollständig schließen.
- Geeignete langstielige, nicht brennbare Utensilien (z. B. Grillzange) verwenden.
- Beim Grillen oder Regulieren der Lüftungsschlitze stets Grillhandschuhe oder hitze- und feuerbeständige Topflappen verwenden.
- Asche erst entfernen, wenn die Holzkohle vollständig abgebrannt und ausgekühlt ist. Den Grill lange Zeit abkühlen lassen.
- Verbliebene Kohle und Asche aus dem Grill entfernen und in einem nicht brennbaren Metallbehälter lagern. Den Behälter mindestens 24 Stunden stehen lassen, bevor Kohle und Asche im Müll entsorgt werden.
- Elektrische Kabel von Wasser oder heißen Oberflächen fernhalten.
- Auszug aus einem dem Gesetzentwurf „California Proposition 65“: Bei der Verbrennung von Holzkohle entstehen Nebenprodukte, von denen sich einige auf einer vom US-Bundesstaat Kalifornien herausgegebenen Liste von krebserzeugenden oder erbgutverändernden oder reproduktionstoxischen Substanzen befinden. Beim Kochen mit Holzkohle stets für ausreichende Be- und Entlüftung des Geräts sorgen, um den Kontakt mit diesen Substanzen zu minimieren.

DE

Zündanleitung



Holzkohlenverwendung

Grilldurchmesser	Garmethode	Holzkohle empfohlen
56cm	Direktes Garen	50
56cm	Indirektes Garen	25 pro Seite *(für jede zusätzliche Stunde Kochzeit 8 pro Seite hinzufügen)

*Empfehlungen für Holzkohle sind nur Anhaltspunkte, längere Kochzeiten erfordern zusätzliche Kohle. Bei kaltem oder windigem Wetter ist mehr Holzkohle erforderlich, um optimale Kochtemperaturen zu erreichen.



WARNUNG! Haube ist offen.
WARNUNG! Den Grill im Freien auf einem festen, ebenen, nicht brennbaren Untergrund aufstellen. Den Grill niemals auf einem Untergrund aus Holz oder anderen brennbaren Materialien verwenden.
WARNUNG! Beim Anzünden der Holzkohle nicht über den Grill lehnen.
WARNUNG! Der Aschenbehälter muss während des Anzündens und Betriebs des Grills eingesetzt sein.

DIREKTE GARMETHODE	INDIREKTE GARMETHODE
1. Die Lüftungsschlitze in Haube und Grill vollständig öffnen. Grillhaube abnehmen und den Grillrost entfernen.	1. Die Lüftungsschlitze in Haube und Grill vollständig öffnen. Grillhaube abnehmen und den Grillrost entfernen.
2. Sicherstellen, dass der Aschenbehälter leer ist und den sauberen Aschenbehälter wieder einsetzen.	2. Sicherstellen, dass der Aschenbehälter leer ist und den sauberen Aschenbehälter wieder einsetzen.
3. Der Grill kann mit oder ohne den mittleren Luftabweiser verwendet werden. Der Luftabweiser sorgt für gleichmäßigere Temperaturen und reduziert die Brennrate in der Grillmitte. Zum Anzünden entweder den Ultrachef Holzkohlengrillstarter (nicht enthalten) gemäß Gebrauchsanweisung verwenden oder festen Grillanzünder oder leicht zerknülltes Zeitungspapier auf und um den Luftabweiser herum anordnen. Die Holzkohle in der Grillmitte auf dem Zeitungspapier oder festen Grillstarter kegelförmig anhäufeln.	3. Den mittleren Luftabweiser entfernen und eine Auffangschale einsetzen. Die optionalen Holzkohlenwannen (nach Wunsch) an beiden Seiten der Auffangschale platzieren. Zum Anzünden entweder den Ultrachef Holzkohlengrillstarter (nicht enthalten) gemäß Gebrauchsanweisung verwenden oder festen Grillanzünder oder leicht zerknülltes Zeitungspapier in den Holzkohlenwannen einlegen. Die Holzkohle in die Wannens über das Zeitungspapier oder festen Grillanzünder schütten.
4. Zeitungspapier oder festen Grillanzünder anzünden. Wenn der Grillanzünder vollständig angezündet ist, Haube schließen und die Holzkohle brennen lassen, bis sie von einer hellgrauen Ascheschicht bedeckt ist (ca. 20 Minuten).	4. Zeitungspapier oder festen Grillanzünder anzünden. Wenn der Grillanzünder vollständig angezündet ist, Haube schließen und die Holzkohle brennen lassen, bis sie von einer hellgrauen Ascheschicht bedeckt ist (ca. 20 Minuten).
5. Die Holzkohle gleichmäßig auf dem gesamten Grillrost ausbreiten (einschließlich Luftabweiser). Verwenden Sie hierzu eine Grillzange mit langen, hitzebeständigen Griffen.	





Sie können flüssigen Grillanzünder verwenden, aber dies ist nicht die empfohlene Methode zum Anzünden von Holzkohlen. Flüssiger Grillanzünder kann schwierig in der Handhabung sein und kann zu einem chemischen Geschmack des Grillguts führen, wenn er vor der Speisenzubereitung nicht vollständig abgebrannt wird. Nach dem Anzünden niemals zusätzlichen flüssigen Grillanzünder auf den Grill gießen. Den Behälter mindestens 8 m vom Grill entfernt aufbewahren, wenn der Grill in Betrieb ist.

Zwei Seiten Zeitungspapier zerknüllen und in den Boden des Holzkohlengrillstarters stopfen.

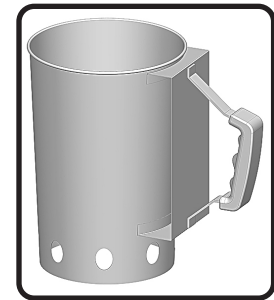


Warn- und Sicherheitshinweise für den Holzkohlengrillstarter

WARNUNG!

- Nur für den Gebrauch im Freien.
- Den Holzkohlengrillstarter nur auf einem festen, ebenen Grillrost verwenden und sicherstellen, dass der Grill auf einem festen, ebenen, nicht brennbaren Untergrund steht.
- Den Holzkohlengrillstarter nicht auf einem brennbaren Untergrund platzieren, bevor er nicht vollständig abgekühlt ist.
- Den Holzkohlengrillstarter nicht mit flüssigem Grillanzünder, Benzin oder selbstzündender Holzkohle verwenden.
- Den Holzkohlengrillstarter nur zum Anzünden von Holzkohle für Holzkohlengrills verwenden.
- Beim Umgang mit Holzkohlengrillstarter stets Schutzhandschuhe tragen.
- Kinder und Haustiere stets vom Holzkohlengrillstarter fernhalten.
- Den Holzkohlengrillstarter nicht bei starkem Wind verwenden.
- Den Holzkohlengrillstarter niemals unbeaufsichtigt lassen, wenn er in Betrieb ist.
- Lehnen Sie sich beim Anzünden nicht über den Holzkohlengrillstarter.
- Den Holzkohlengrillstarter nur für den vorgesehenen Zweck verwenden. Den Holzkohlengrillstarter nicht zur Speisenzubereitung verwenden.
- Gehen Sie äußerst vorsichtig vor, wenn Sie heiße Kohlen aus dem Holzkohlengrillstarter ausschütten.

HOLZKOHLENGRILLSTARTER



DE

Verwenden des Holzkohlengrillstarters

- Den Holzkohlengrillstarter auf den Kopf stellen.
- Zwei ganze Seiten Zeitungspapier zerknüllen und in den Boden des Holzkohlengrillstarters stopfen.
- Den Holzkohlengrillstarter aufrecht stellen und in der Mitte des Holzkohlengrillrosts platzieren.
- Ausreichend Holzkohle einlegen aber nicht überfüllen.
- Streichholz anzünden und in einen der unteren Lüftungsschlitze einführen, um das Zeitungspapier zu entzünden.
- Wenn die oberste Holzkohlenschicht leicht mit grauer Asche überzogen ist, Grillhandschuhe anziehen und vorsichtig die heiße Holzkohle auf den Holzkohlenrost (direkte Garmethode) oder in die Holzkohlenwannen (indirekte Garmethode) schütten.
- Die Holzkohle nach dem Auflegen gleichmäßig auf dem Grill verteilen. Hierzu eine Grillzange mit langen, hitzebeständigen Griffen verwenden.

Anweisungen zum Garen mit Holzkohle

Holzkohle ist die traditionelle Art des Garens, mit der wir alle vertraut sind. Die glühenden Briketts geben Infrarotenergie an das Grillgut ab, das Grillgut wird hierbei kaum ausgetrocknet. Austretende Fleischsäfte oder Öle tropfen auf die Holzkohle und werden zu dem Rauch verdampft, der Grillgerichten den typischen, köstlichen Grillgeschmack verleiht. Zusammenfassend lässt sich sagen, dass die Holzkohlengrills von Napoleon extrem hohe Temperaturen erzeugen und perfekt sind für die Zubereitung von saftigen Steaks, Hamburgern und anderen Fleischsorten. Kochzeiten und Zubereitungstipps finden Sie in der Tabelle für das Holzkohlengrillen.

Die folgenden Grilltabellen sind nur Anhaltspunkte. Kochzeiten werden durch verschiedene Faktoren beeinflusst, z. B. Höhenlage, Aussentemperatur, Wind und gewünschte Garstufe, die sich auf die jeweilige Kochzeit auswirken können. Verwenden Sie ein Fleischthermometer, um sicherzustellen, dass Speisen ausreichend gegart sind.

Tipps zum Holzkohlengrillen

FLEISCHSORTE	Direkte/ Indirekte Hitze	KOCHZEIT	Tipps
Steak 2,5 cm dick	Direkte Hitze	6-8 Minuten – halbdurch (medium)	Fragen Sie beim Fleischkauf nach gut marmoriertem Fleisch. Die Fettadern dienen bei der Zubereitung als natürliche Zartmacher und halten das Fleisch schön saftig.
Hamburger 1,25 cm dick	Direkte Hitze	6-8 Minuten – halbdurch (medium)	Ändern Sie die Dicke des Hamburger-Bratlings und bereiten Sie die Hamburger nach dem persönlichen Geschmack Ihrer Gäste punktgenau zu. Verleihen Sie Ihren Gerichten ein exotisches Aroma, indem Sie beim Grillen Hickory-Holzchips in der Napoleon-Räuchervorrichtung hinzufügen.
Geflügel (zerteilt)	Direkte Hitze ca. 2 Minuten pro Seite Indirekte Hitze für die restlichen 18-20 Minuten.	20-25 Minuten	Schneiden Sie das Gelenk zwischen Schenkel und Bein von der hautlosen Seite zu 3/4 durch, damit das Fleisch flacher auf dem Grill liegt. Ganze Hühnerbeine grillen so schneller und gleichmäßiger. Verleihen Sie Ihren Gerichten ein exotisches Aroma, indem Sie beim Grillen Mesquite-Holzchips in der Napoleon-Räuchervorrichtung hinzufügen.
Schweinekoteletts	Direkte Hitze	10-25 Minuten	Überschüssiges Fett vor dem Grillen abtrimmen. Wählen Sie dickere Koteletts für zarteres Fleisch.
Spareribs	Direkte Hitze ca. 5 Minuten Indirekte Hitze, um Fleisch fertigzugaren	1,5-2 Stunden Häufig wenden	Wählen Sie Rippchen, die mager sind und viel Fleisch haben. Solange Grillen bis sich das Fleisch leicht vom Knochen ablösen lässt.
Lammkoteletts	Direkte Hitze	25-30 Minuten	Überschüssiges Fett vor dem Grillen abtrimmen. Wählen Sie dickere Koteletts für zarteres Fleisch.
Hotdogs	Direkte Hitze	4-6 Minuten	Verwenden Sie große Wiener-Wurstchen zur Zubereitung von Hotdogs und schneiden Sie die Haut vor dem Grillen längs ein.

Grillanleitung

Erstmaliges Anzünden: Beim ersten Anzünden kommt es zu einer leichten Geruchsbildung. Dies ist ein normaler, vorübergehender Zustand, der durch das „Einbrennen“ der Lacke und Schmiermittel im Gerät hervorgerufen wird, die während des Herstellungsprozesses benötigt werden. Dieser Geruch tritt nach dem Einbrennvorgang nicht mehr auf. Den Grill bei offener Grillhaube und vollständig geöffneten Lüftungsschlitzen für ca. 30 Minuten auf hoher Stufe brennen lassen.

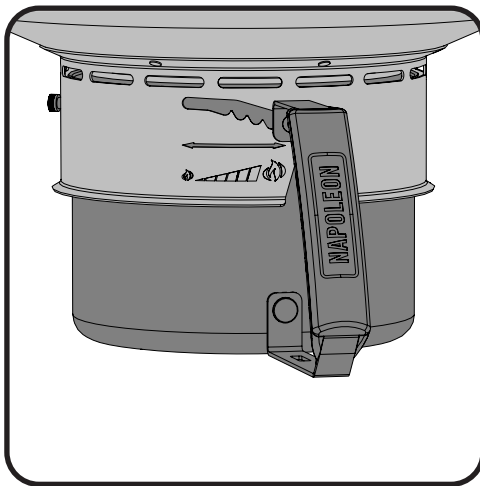
Verwenden des Grills: Der Grill sollte vor der Verwendung vorgewärmt werden. Hierzu bei geschlossener Grillhaube für ca. 20 Minuten betreiben. Die Holzkohle ist grillfertig, wenn sie leicht mit grauer Asche überzogen ist. Gerichte, die nur kurze Kochzeiten erfordern (Fisch, Gemüse) können bei offener Grillhaube gegrillt werden. Kochen bei geschlossener Haube ermöglicht höhere, gleichmäßigere Temperaturen. Hierdurch können Kochzeiten reduziert werden und Grillgut wird gleichmäßiger gegart. Bei der Zubereitung sehr magerer Fleischsorten wie Hühnerbrust oder mageren Stücken vom Schwein kann der Grillrost vor dem Vorwärmen eingefettet werden, um Anhaften zu vermeiden. Bei der Zubereitung von sehr fetthaltigen Fleischsorten kann es zu Aufflammen kommen. Das Fett etwas abtrimmen oder die Temperatur reduzieren, um Aufflammen zu verhindern. Sollte es zum Aufflammen kommen, Grillgut von der Flamme entfernen und Hitze reduzieren (Lüftungsschlitze weiter schließen). Haube offen lassen. In der Regel sind für die Zubereitung von 1 kg Fleisch ca. 50 Holzkohlenbriketts erforderlich. Bei Zubereitungszeiten von 30 bis 40 Minuten müssen zusätzliche Holzkohlenbriketts aufgelegt werden. Bei kaltem oder windigem Wetter werden mehr Holzkohlenbriketts benötigt, um optimale Kochtemperaturen zu erreichen.

Hinzufügen von Holzkohle während des Grillvorgangs: Beim Hinzufügen von Holzkohle auf den heißen Grill vorsichtig vorgehen. Es kann zu einer plötzlichen Flammenbildung kommen, wenn die Kohlen mit frischer Luft in Kontakt kommen. Unter Einhaltung eines Sicherheitsabstands vom Grill zusätzliche Holzkohle mithilfe einer Grillzange mit langen, hitzebeständigen Griffen auflegen. Der Grillrost ist beidseitig mit klappbaren Einsätzen ausgestattet, um Zugang zum Holzkohlenrost zu ermöglichen.

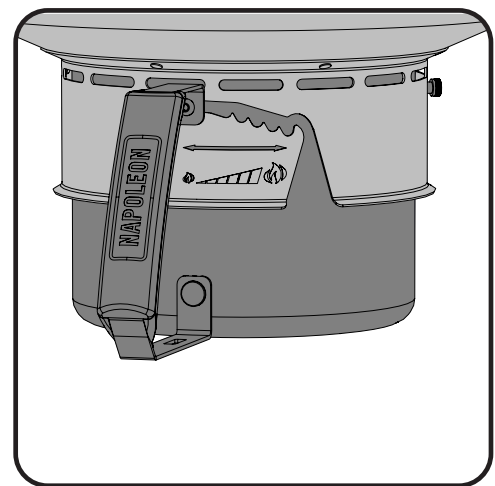


ACHTUNG! Niemals flüssigen Grillanzünder auf heißen oder warmen Kohlen verwenden. Sobald die Holzkohle gezündet ist, ist kein weiterer flüssiger Grillanzünder erforderlich.

Betrieb der Lüftungsschlitze: Wenn der Grill mit geschlossener Grillhaube betrieben wird, sollten die Lüftungsschlitze normalerweise vollständig geöffnet sein, um ausreichende Belüftung des Grills zu gewährleisten. Luftzufuhr erhöht die Brenntemperatur der Kohle. Die Grilltemperatur kann durch Verschieben des Lüftungsschlitzes nach links oder rechts geregelt werden. Teilweises oder vollständiges Schließen der Lüftungsschlitze führt zum Abkühlen der Kohle. Die Lüftungsschlitze und den Lüftungsschlitz in der Haube nur dann vollständig schließen, wenn der Grill abgekühlt oder eine Flamme gelöscht werden soll.



Öffnen Lüftungsschlitze



Lüftungsschlitze Geschlossen

Sicherheitshinweise nach der Verwendung



WARNUNG! Befolgen Sie diese Sicherheitshinweise, um schwere Verletzungen und/oder Sachschäden zu vermeiden.

- Grillhaube und alle Lüftungsschlitze schließen, um das Feuer zu löschen.
- Den Grill vor dem Anfassen stets vollständig abkühlen lassen.
- Kohle und Asche niemals unbeaufsichtigt im Grill lassen. Sicherstellen, dass Kohle und Asche vollständig ausgekühlt sind, bevor der Grill gereinigt wird.
- Kohle und Asche mit einem Metallspatel oder einer Metallschaufel aus dem Grill entfernen. Kohle und Asche in einen nicht brennbaren Metallbehälter geben und vollständig mit Wasser übergießen. Den Behälter mindestens 24 Stunden stehen lassen, bevor Kohle und Asche im Müll entsorgt werden.

Wartung, Pflege und Reinigung

Der Aschebehälter und die Fett-Auffangschale sollten nach jedem Gebrauch ausgeleert werden.



WARNUNG! Vor dem Entfernen oder Abnehmen jeglicher Teile vom Grill muss sichergestellt werden, dass der Grill und alle Kohlen vollständig abgekühlt sind.

WARNUNG! Beim Reinigen des Grills sollten stets Handschuhe und eine Schutzbrille getragen werden.

WARNUNG! Keinen Hochdruckreiniger verwenden, um das Gerät oder Teile des Grills zu reinigen.

WARNUNG! Wartungsmaßnahmen nicht am heißen Gerät durchführen, um Verbrennungen zu vermeiden. Ungeschützten Kontakt mit heißen Oberflächen vermeiden. Grill an einer Stelle reinigen, wo die Reinigungslösung nicht zur Beschädigung von Balkonen, Rasen oder Terrassen führen kann. Keinen Ofenreiniger für die Reinigung des Grills oder Teilen des Grills verwenden. Keinen selbstreinigenden Ofen verwenden, um Grillroste oder andere Teile des Grills zu reinigen. Barbecuesauce und Salz können korrosiv wirken und schnell zur Korrosion des Grills und einzelner Bauteile führen, wenn keine regelmäßige Reinigung durchgeführt wird.

Roste und Warmhaltefläche: Lassen sich am besten beim Vorwärmen des Grills mit einer weichen Messingdrahtbürste säubern. Für schwer zu entfernende Flecke Stahlwolle verwenden.

Reinigen der Grillinnenseite: Grillroste entnehmen. Lösen Schmutz am Grillaufsatz und an der Grillhaubeninnenseite mit einer Messingbürste entfernen. Grillinnenseite mit einem Spachtel- oder Schabemesser auskratzen und Asche mit einer Drahtbürste entfernen. Lose Asche und Schmutz von der Innenseite des Grills in den abnehmbaren Asche-/Fett-Auffangbehälter fegen. Nach Wunsch die Grillinnenseite mit einem milden Reinigungsmittel und Wasser abwaschen. Gründlich mit klarem Wasser abspülen und trockenwischen.



ACHTUNG! Fettansammlungen können zu Bränden führen. Auffangschale nach jedem Gebrauch reinigen, um übermäßige Fettansammlung zu vermeiden.

Aschenbehälter/Auffangschale: Asche, Fett und überschüssige Bratflüssigkeit tropfen zuerst in den Aschenbehälter/die Auffangschale unterhalb des Holzkohलगrills und werden dort gesammelt. Zur einfacheren Reinigung die Auffangschale herausziehen. Die Auffangschale nicht mit Alufolie, Sand oder anderen Materialien auslegen, da dies den erwünschten Fettabfluss behindern kann. Auffangschale mit einem Spachtel- oder Schabemesser auskratzen, gelöstes Fett und Schmutz in einem nicht brennbaren Metallbehälter auffangen. Aschenbehälter/Auffangschale mit einem milden Reinigungsmittel und Wasser abwaschen. Gründlich mit klarem Wasser abspülen und trockenwischen.

Reinigen der Aussenseite des Gasgrills: Lackierte, Porzellan- oder Rostfreistahlteile nicht mit Scheuermitteln säubern. Die Porzellanemaille ist besonders vorsichtig zu behandeln. Die Emaillebeschichtung ist wie Glas und platzt beim Anschlagen leicht ab. Außenflächen am besten in handwarmem Zustand mit warmem Seifenwasser reinigen. Rostfreistahl mit einem entsprechenden Reinigungsmittel oder einem nicht scheuernden Reinigungsmittel säubern. Stets in Strukturrichtung wischen. Keine Stahlwolle verwenden, da sie Kratzspuren hinterlässt. Rostfreistahl verfärbt sich unter Hitze goldfarben oder braun. Diese Verfärbung ist normal und beeinträchtigt die Leistung des Grills nicht.

Gusseisen Grillroste: Die Gusseisen Grillroste Ihres neuen Grills bieten besondere Hitzespeicherung und -Verteilung. Durch regelmäßiges Einfetten der Grillroste entsteht eine Schutzschicht, die Korrosion reduziert und die Anti-Haft-Eigenschaften des Rostes verbessert.

Erste Verwendung: Waschen Sie den Grillrost händisch mit einem milden Spülmittel, um etwaige Rückstände der Produktion zu entfernen (Niemals in der Spülmaschine waschen). Spülen Sie es gut mit heißem Wasser ab und trocknen Sie es mit einem weichen Tuch, um ein Eindringen von Feuchtigkeit in das Gusseisen zu verhindern.

EINFETTEN: Verwenden Sie ein weiches Tuch und verteilen Sie Pflanzenfett über den gesamten Rost inkl. aller Rillen und Ecken. Verwenden Sie keine gesalzene Fette wie Butter oder Margarine. Heizen Sie den Grill 15 Minuten vor, setzen Sie dann die eingefetteten Roste in den Grill ein. Drehen Sie die Regler in mittlere Stellung und schließen Sie den Deckel. Lassen Sie die Grillroste für 30 Minuten im Grill. Drehen Sie alle Brenner auf OFF-Position und drehen Sie das Gas an der Quelle ab. Lassen Sie die Grillroste abkühlen. Dieser Prozess sollte einige Male während der Grillsaison wiederholt werden, ist aber im täglichen Gebrauch nicht nötig (folgen Sie der folgenden Anweisung für den täglichen Gebrauch).

TÄGLICHER GEBRAUCH: Vor dem Vorheizen und Reinigen mit einer Messingdrahtbürste bedecken Sie die gesamte Oberfläche des Grillrosts mit Pflanzenfett. Heizen Sie den Grill vor und entfernen Sie dann die unerwünschten Rückstände mit der Messingdrahtbürste.

Fehlerbehebung

Problem	Mögliche Ursachen	Lösung
Geringe Hitze / kleine Flamme.	<p>Ungenügendes Vorheizen.</p> <p>Ungenügende Luftzufuhr.</p> <p>Zu wenig Holzkohle.</p> <p>Haube wird zu oft geöffnet.</p>	<p>Holzkohle brennen lassen, bis sie mit einer hellgrauen Ascheschicht überzogen ist. (üblicherweise 20-25 Minuten)</p> <p>Lüftungsschlitze offen.</p> <p>Der Holzkohlenwanne mehr Holzkohle hinzufügen.</p> <p>Speisen bei geschlossener Grillhaube garen lassen. Bei jedem Abnehmen der Grillhaube sinkt die Temperatur. Dies führt zu niedrigeren Temperaturen und längeren Kochzeiten.</p>
Übermäßiges Aufflammen/ ungleichmäßige Hitze.	<p>Ungenügendes Vorheizen.</p> <p>Übermäßige Ansammlung von Fett und Asche in Aschenbehälter und Auffangschale.</p>	<p>Grill bei geschlossener Haube 20-25 Minuten vorheizen und Kohle gleichmäßig verteilen.</p> <p>Aschenbehälter und Auffangschale regelmäßig reinigen. Auffangschale nicht mit Alufolie auslegen. Siehe Anweisungen für das Reinigen des Grills.</p>
Haubeninnenseite sieht aus, als ob „Farbe“ abblättert.	Fettansammlung auf den Innenseiten.	Dies ist kein Defekt. Die Hauben haben ein Porzellan-Finish, das nicht abblättern kann. Das Abblättern wird durch hart gewordenes Fett hervorgerufen, das zu farbähnlichen Splintern trocknet, die abblättern können. Dies kann durch regelmäßiges Reinigen verhindert werden. Siehe Anweisungen für das Reinigen.

DE

Übersicht zum Holzkohlengrillen

Anzünden des Grills

- Vor der ersten Verwendung den Grill bei offener Grillhaube und vollständig geöffneten Lüftungsschlitzen für ca. 30 Minuten auf hoher Stufe brennen lassen. Hierdurch werden alle Schmiermittel abgebrannt, die für den Herstellungsprozess benötigt werden.
- Die Lüftungsschlitze in Haube und Grill vollständig öffnen, wenn der Grill angezündet wird.
- Sicherstellen, dass der Aschenbehälter leer ist und den sauberen Aschenbehälter wieder einsetzen.
- Der Grill kann mit oder ohne den mittleren Luftabweiser verwendet werden. Der Luftabweiser sorgt für gleichmäßigere Temperaturen und reduziert die Brennrate in der Grillmitte.
- Zum Anzünden entweder den Ultrachef Holzkohlengrillstarter (nicht enthalten) gemäß Gebrauchsanweisung verwenden oder festen Grillstarter oder leicht zerknülltes Zeitungspapier auf und um den Luftabweiser herum anordnen. Die Holzkohle in der Grillmitte (direkte Garmethode) oder in den optionalen Holzkohlenwannen (indirekte Garmethode) kegelförmig anhäufeln.
- Nach dem vollständigen Anzünden Haube schließen und die Holzkohle brennen lassen, bis sie mit einer hellgrauen Ascheschicht überzogen ist (ca. 20 Minuten). Dann je nach gewünschter Garmethode die Holzkohle mit einer Grillzange mit langen, hitzebeständigen Griffen anordnen.
- Sie können flüssigen Grillanzünder verwenden, aber dies ist nicht die empfohlene Methode zum Anzünden von Holzkohle. Flüssiger Grillanzünder kann schwierig in der Handhabung sein und kann zu einem chemischen Geschmack des Grillguts führen, wenn er vor der Speisenzubereitung nicht vollständig abgebrannt wird. Nach dem Anzünden niemals zusätzlichen flüssigen Grillanzünder auf den Grill gießen. Den Behälter mindestens 7,6 m vom Grill entfernt aufbewahren, wenn der Grill in Betrieb ist.
- Zusätzliches Räucheraroma kann durch Hinzufügen von Räucherholzchips erreicht werden, welche in einer großen Auswahl an Aromen über Ihren Napoleon-Händler erhältlich sind.

Garen mit dem Grill

- Der Grill sollte vor der Verwendung vorgewärmt werden. Hierzu bei geschlossener Grillhaube für ca. 20 Minuten betreiben. Die Holzkohle ist grillfertig, wenn sie leicht mit grauer Asche überzogen ist.
- In der Regel sind für die Zubereitung von 1 kg Fleisch ca. 50 Holzkohlenbriketts erforderlich. Bei Zubereitungszeiten von 30 bis 40 Minuten müssen zusätzliche Holzkohlenbriketts aufgelegt werden. Bei kaltem oder windigem Wetter werden mehr Holzkohlenbriketts benötigt, um optimale Kochtemperaturen zu erreichen.
- Beim Hinzufügen von Holzkohle auf den heißen Grill vorsichtig vorgehen. Es kann zu einer plötzlichen Flammenbildung kommen, wenn die Kohlen mit frischer Luft in Kontakt kommen. Unter Einhaltung eines Sicherheitsabstands vom Grill zusätzliche Holzkohle mithilfe einer Grillzange mit langen, hitzebeständigen Griffen auflegen.
- Wenn der Grill mit geschlossener Grillhaube betrieben wird, sollten die Lüftungsschlitze normalerweise vollständig geöffnet sein, um ausreichende Belüftung des Grills zu gewährleisten. Luftzufuhr erhöht die Brenntemperatur der Kohle. Die Grilltemperatur kann durch Verschieben des Lüftungsschlitzes nach links oder rechts geregelt werden.
- Speisen bei geschlossener Grillhaube garen lassen. Bei jedem Abnehmen der Grillhaube sinkt die Temperatur. Dies führt zu niedrigeren Temperaturen und längeren Kochzeiten.
- Teilweises oder vollständiges Schließen der Lüftungsschlitze führt zum Abkühlen der Kohle. Die Lüftungsschlitze und den Lüftungsschlitz in der Haube nur dann vollständig schließen, wenn der Grill abgekühlt oder eine Flamme gelöscht werden soll.
- Den Grillrost vor dem Vorwärmen einfetten, um Anhaften zu vermeiden.
- Verwenden Sie ein Fleischthermometer, um sicherzustellen, dass Speisen ausreichend gegart sind.

Reinigen des Grills

- Grillhaube und alle Lüftungsschlitze schließen, um das Feuer zu löschen.
- Den Grill vor dem Anfassen stets vollständig abkühlen lassen.
- Kohle und Asche niemals unbeaufsichtigt im Grill lassen. Sicherstellen, dass Kohle und Asche vollständig ausgekühlt sind, bevor der Grill gereinigt wird.
- Kohle und Asche mit einem Metallspatel oder einer Metallschaufel aus dem Grill entfernen. Kohle und Asche in einen nicht brennbaren Metallbehälter geben und vollständig mit Wasser übergießen. Den Behälter mindestens 24 Stunden stehen lassen, bis die Kohle und Asche im Müll entsorgt wird.
- Lösen Schmutz am Grillaufsatz und an der Grillhaubeninnenseite mit einer Messingbürste entfernen.
- Grillinnenseite mit einem milden Reinigungsmittel und Wasser abwaschen. Gründlich mit klarem Wasser abspülen und trockenwischen.
- Porzellan-Email-Oberflächen müssen mit besonderer Sorgfalt behandelt werden. Das ofengebrannte Email-Finish ist wie Glas und kann bei Gewalteinwirkung abplatzen. Wenden Sie sich an Ihren Napoleon-Gasgrill-Händler, um Materialien für die Ausbesserung von beschädigtem Email zu erhalten.

**RECHNUNG/KASSENBON ALS KAUFBELEG FÜR GARANTIEANFRAGEN
AUFBEWAHREN**

ERSATZTEILBESTELLFORMULAR

GARANTIEINFORMATIONEN

MODELL: _____

KAUFDATUM: _____

SERIENNUMMER: _____

(Speichern Sie diese Informationen hier als künftige Referenz)

Für Ersatzteile und Garantieanfragen, kontaktieren Sie Ihren Napoleonhändler, bei dem das Produkt gekauft wurde.

Vor Sie Ihren Händler kontaktieren, lesen Sie bitte die Napoleon Grills Website, um mehr über Reinigung, Wartung, Troubleshooting und Ersatzteilmontage zu erfahren:

<https://www.napoleon.com/de/de/willkommen>

Um eine Reklamation einzureichen, sind folgende Unterlagen erforderlich:

1. Typenbezeichnung und Seriennummer des Geräts.
2. Artikelnummer und -Bezeichnung.
3. Bündige Problembeschreibung („defekt“ reicht nicht aus).
4. Kaufbeleg (Rechnungskopie, Kopie des Kassenbons).

Napoleon behält sich das Recht vor, als Voraussetzung für Ersatzteile, den Rückversand reklamierter Teile zu beantragen.

Bitte beachten Sie, vor Sie Ihren Händler kontaktieren, dass folgende Items keine Garantiegründe darstellen:

- Versand-, Zoll- oder sonstige Gebühren.
- Montagearbeit und -Kosten.
- Kommunikationskosten, um eine (Fern-)Diagnose zu stellen.
- Edelstahlverfärbungen.
- Schäden verursacht durch mangelnde Reinigung und Wartung, oder die Anwendung ungeeigneter Reinigungsmittel (Ofenreiniger oder abrasiver Chemikalien).

DE



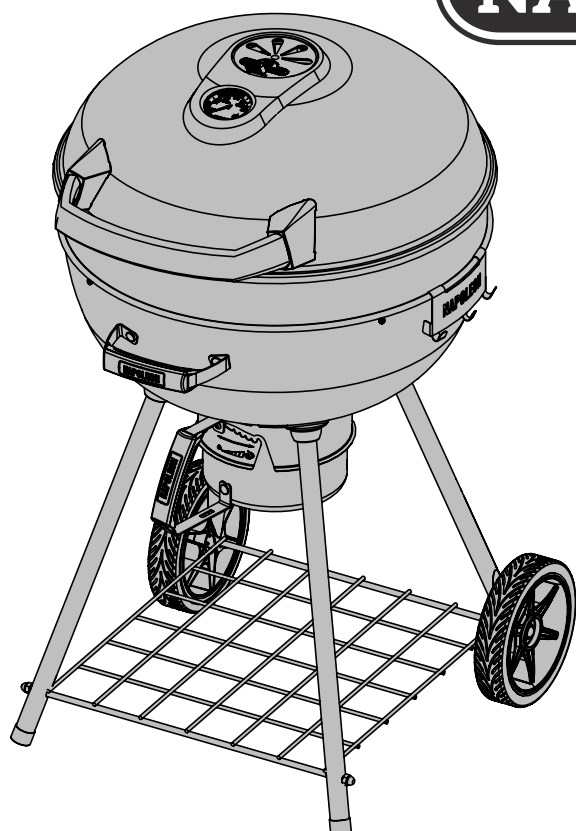
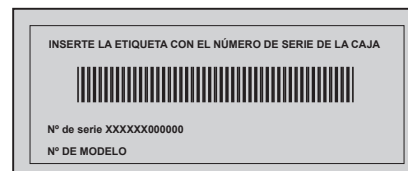
Notes

DE



MANUAL DE ENSAMBLE, USO Y CUIDADO
PARRILLA PARA USO EN EXTERIORES Y ESPACIOS BIEN VENTILADOS
CONSERVE ESTE MANUAL PARA CONSULTAS FUTURAS.

PARRILLA A CARBÓN PARA EXTERIORES



PRO22K-LEG-2

ES



ADVERTENCIA

Antes de encender el artefacto, lea la sección de instrucciones de "ENCENDIDO" de este manual.



PELIGRO

No use la barbacoa en un espacio cerrado y/o habitable, p.e. vivienda, tienda de campaña, caravana, autocaravana, embarcación. Peligro de envenenamiento mortal por monóxido de carbono.



ADVERTENCIA! Si no se cumplen estas instrucciones, se puede provocar un incendio, incluso lesiones

Wolf Steel Europe BV
De Riemsdijk 22, 4004 LC, Tiel
The Netherlands
eu.info@napoleon.com

Garantía limitada de 10 años de Napoleon President



Los productos Napoleon están diseñados con piezas y materiales de primera calidad y son ensamblados por expertos artesanos que se toman muy en serio su trabajo. Este producto ha sido rigurosamente inspeccionado por un técnico calificado antes de ser empaquetado y enviado a fin de asegurarle que usted, como cliente, reciba el producto de calidad que espera de NAPOLEON.

NAPOLEON garantiza que las piezas de su nuevo producto NAPOLEON no tienen defectos de material ni de fabricación y cuentan con una garantía por el periodo indicado a continuación, a partir la fecha de la compra:

Tapa y tazón de esmalte de porcelana	10 años
Sistema de control de aire	5 años de cobertura integral, más 50% de descuento hasta el año 10
Rejillas de hierro fundido porcelanizado para cocinar	5 años de cobertura integral, más 50% de descuento hasta el año 10
Rejillas cromadas para cocinar	3 años de cobertura integral, más 50% de descuento hasta el año 10
Todas las demás piezas	2 años

Condiciones y restricciones

Esta Garantía Limitada cubre un periodo de garantía, según lo especificado en la tabla antes mencionada, para cualquier producto adquirido mediante un distribuidor autorizado de NAPOLEON y le da derecho al comprador original, en el marco de la cobertura indicada relativa a cualquier pieza reemplazada en el periodo de garantía, ya sea por NAPOLEON o un distribuidor autorizado del mismo, a reemplazar una pieza de dicho producto que ha presentado fallas en el uso privado normal como resultado de un defecto de fabricación. El "descuento del 50%" indicado en la tabla significa que la pieza está disponible para el comprador con un 50% de descuento con relación al precio minorista normal de la misma para el periodo indicado. Esta Garantía Limitada no contempla accesorios ni elementos extras.

Para mayor seguridad, el "uso privado normal" de un producto se refiere a que el producto ha sido instalado por un técnico o contratista autorizado, portador de una licencia, de conformidad con las instrucciones de instalación que vienen con el producto y según todas las normas locales y nacionales de construcción y contra incendios; ha recibido el mantenimiento adecuado y no ha sido usado como un servicio comunitario ni para fines comerciales.

De igual manera, "falla" no incluye sobrecalentamiento ni reventones causados por condiciones ambientales como vientos fuertes o ventilación inadecuada, rasguños, abolladuras, corrosión, deterioro de acabados pintados o recubiertos, decoloración causada por el calor, elementos de limpieza abrasivos o químicos o exposición ultravioleta, despostillado de piezas porcelanizadas o daños causados por el mal uso, accidente, granizo, incendios provocados por grasas, falta de mantenimiento, ambientes hostiles como la presencia de sal o cloro, alteraciones, abuso, negligencia o piezas instaladas de otros fabricantes.

Si ocurrieran deterioros de piezas que impidieran que el equipo funcione (completamente oxidadas o quemadas) dentro del plazo de la cobertura de la garantía, se le proporcionará un reemplazo.

La pieza de reemplazo es la única responsabilidad de Napoleon, según lo especificado en esta Garantía Limitada, y en ningún caso NAPOLEON será responsable de la instalación, mano de obra, ni cualquier otro costo o gasto relacionado con la reinstalación de una pieza comprendida en la garantía; ni de daños adicionales, resultantes o indirectos ni de los cargos de transporte, costos de obra ni impuestos de exportación.

Esta Garantía Limitada es proporcionada adicionalmente a cualquier derecho que le otorgue la legislación local. En consecuencia, la presente Garantía Limitada no impone la obligación a NAPOLEON de conservar piezas en stock. Sobre la base de la disponibilidad de piezas, NAPOLEON, según su criterio, se podrá eximir de su responsabilidad proporcionando al cliente un crédito proporcional para un nuevo producto. En el marco de la presente Garantía Limitada, NAPOLEON, después del primer año y según su criterio, se podrá eximir de todas las obligaciones relativas a esta garantía reembolsando al comprador original poseedor de la garantía el precio al por mayor de cualquier pieza o piezas comprendida(s) en la garantía pero defectuosa(s).

Se pedirá la factura de la compra o una copia de la misma, así como el número de serie y el número de modelo al momento de hacer cualquier reclamo de garantía a Napoleon.

NAPOLEON se reserva el derecho de enviar a un representante para inspeccionar cualquier producto o pieza antes de cumplir con cualquier reclamo de garantía. Usted deberá comunicarse con el Servicio al Cliente de NAPOLEON o con un distribuidor autorizado para obtener el beneficio de la cobertura de garantía.



www.napoleon.com

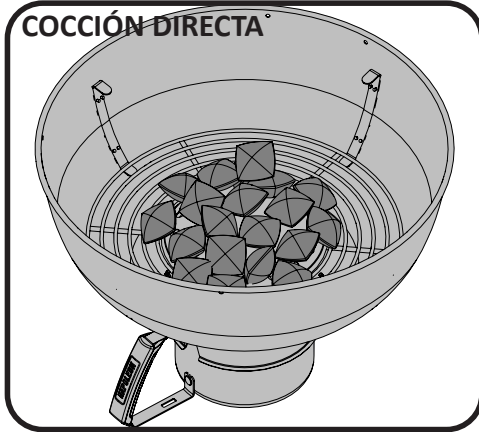


ADVERTENCIA! Si no sigue estas instrucciones, se podrían producir daños personales o en la propiedad, o incluso la muerte. Lea y siga todas las advertencias e instrucciones que se incluyen en este manual antes de utilizar la parrilla.

Procedimientos de seguridad durante el funcionamiento

- Lea todas las instrucciones del manual antes de utilizar la parrilla.
- Nunca modifique esta parrilla.
- Siga cuidadosamente las instrucciones de encendido cuando utiliza la parrilla.
- No encienda el carbón con la tapa cerrada.
- No se incline sobre la parrilla cuando la encienda.
- No utilice gasolina, alcohol ni ninguna otra sustancia muy volátil para encender el carbón. Utilice SOLAMENTE sustancias aprobadas para encender carbón. Asegúrese de que no haya líquidos en la parte inferior de la parrilla antes de encender el carbón.
- No incorpore ninguna sustancia para encender el carbón mientras las brasas estén calientes o tibias.
- Después de utilizar y antes de encender la parrilla, tape y almacene las sustancias para encender el carbón a una distancia de, al menos, 7,6 m de la parrilla.
- Mantenga a los niños y animales alejados de la parrilla caliente. No permita que los niños suban e ingresen al gabinete.
- No descuide la parrilla mientras está en funcionamiento.
- No mueva la parrilla mientras esté caliente o en funcionamiento.
- No instale esta parrilla en un vehículo recreativo ni en botes.
- Utilice esta parrilla solo en exteriores, en ambientes ventilados. No utilice esta parrilla en edificios, garajes, galerías cerradas, gazebos ni en ningún área cerrada.
- Mantenga los combustibles a una distancia adecuada de 1,5 m de todos los lados. Se recomienda mantener esta distancia de revestimiento de vinilo o de paneles de vidrio. No utilice esta parrilla sobre superficies combustibles (terrazas o galerías de madera o de materiales compuestos).
- Mantenga los orificios de ventilación del gabinete sin residuos.
- No utilice la unidad bajo ninguna construcción combustible.
- No utilice la unidad bajo ninguna construcción, como techos, garajes, toldos o aleros.
- No coloque la parrilla en lugares ventosos. Los vientos fuertes afectan el rendimiento de la parrilla.
- Mantenga la tapa abierta durante el precalentamiento.
- Mantenga en su lugar la bandeja para cenizas/grasa mientras utiliza la parrilla.
- Limpie la bandeja para cenizas/grasa periódicamente para evitar acumulaciones de grasa que pueden incendiarse.
- No utilice los estantes laterales para almacenar encendedores, cerillos ni otros combustibles.
- Mantenga la parrilla en terreno firme y llano todo el tiempo.
- No utilice agua para controlar llamaradas o apagar las brasas, ya que puede dañar el acabado de la parrilla.
- Para controlar llamaradas, cierre apenas los orificios de ventilación de la parrilla. Para apagar completamente las brasas o el fuego, cierre completamente todos los orificios de ventilación y la tapa.
- Utilice utensilios apropiados para asar, con mangos largos y resistentes al calor.
- Utilice guantes para asar o manoplas para proteger las manos mientras cocina o ajusta los orificios de ventilación.
- No retire las cenizas de la parrilla hasta que el carbón esté completamente apagado. Deje enfriar.
- Retire el carbón y las cenizas restantes de la parrilla y almacénelos en un recipiente metálico no combustible. Almacénelos en el recipiente metálico durante 24 horas antes de desecharlos.
- Mantenga los cables de suministro eléctrico lejos del agua o superficies calientes.
- **Proposición 65, Estado de California:** La combustión de carbón produce derivados que se mencionan en la lista de sustancias causantes de cáncer o daños reproductivos del Estado de California. Cuando cocine con carbón, asegúrese de que la unidad esté bien ventilada para minimizar la exposición a dichas sustancias.

Instrucciones de encendido



Uso de carbón.

Diámetro de la parrilla	Método de cocción	Cantidad de briquetas recomendada
56cm	Cocción directa	50
56cm	Cocción indirecta	25 por lado *(Agregue 8 de cada lado para cada hora adicional de tiempo de cocción.)

*La cantidad de briquetas recomendada es aproximada. Se recomienda agregar briquetas para tiempos de cocción prolongados. En caso de clima más frío o más ventoso, se recomienda agregar más briquetas para lograr la temperatura de cocción ideal.

ES



ADVERTENCIA! Abra la tapa.

ADVERTENCIA! Coloque la parrilla en un espacio exterior, sobre superficies firmes, llanas y no combustibles. Nunca utilice la parrilla sobre superficies de madera o inflamables.

ADVERTENCIA! No se incline sobre la parrilla cuando la encienda.

ADVERTENCIA! Mantenga la bandeja para cenizas en su lugar durante el encendido y mientras utiliza el artefacto.

MÉTODO DE COCCIÓN DIRECTA	MÉTODO DE COCCIÓN INDIRECTA
1. Abra completamente la ventilación de la tapa y de la base. Retire la tapa de la parrilla y la rejilla de cocción.	1. Abra completamente la ventilación de la tapa y de la base. Retire la tapa de la parrilla y la rejilla de cocción.
2. Asegúrese de que la bandeja para cenizas esté limpia y vuelva a instalarla.	2. Asegúrese de que la bandeja para cenizas esté limpia y vuelva a instalarla.
3. Puede utilizar la parrilla con o sin el deflector de aire central. El deflector asegura una temperatura constante y disminuye la velocidad de combustión. Utilice el encendedor de carbón de la serie Ultra Chef (no incluido), como lo indican las instrucciones del manual, o coloque pastillas de encendido o papel de periódico alrededor y sobre el deflector de aire. Coloque el carbón en forma de pirámide en el centro de la unidad sobre el papel de periódico o las pastillas de encendido.	3. Retire el deflector de aire central y coloque una bandeja de goteo. Coloque los canastos para carbón opcionales (opcional) a cada lado de la bandeja de goteo. Utilice el encendedor de carbón de la serie Ultra Chef (no incluido), como lo indican las instrucciones del manual, o coloque pastillas de encendido o papel de periódico en los canastos para carbón. Coloque el carbón dentro de los canastos y sobre el papel de periódico o las pastillas de encendido.
4. Encienda el papel de periódico o las pastillas de encendido. Una vez encendido el carbón, cierre la tapa y deje que el carbón se queme hasta que quede cubierto de cenizas (aproximadamente 20 minutos).	4. Encienda el papel de periódico o las pastillas de encendido. Una vez encendido el carbón, cierre la tapa y deje que el carbón se queme hasta que quede cubierto de cenizas (aproximadamente 20 minutos).
5. Utilice pinzas con mangos largos resistentes al calor para distribuir de forma uniforme las brasas por toda la rejilla (incluso por el deflector de aire central).	



Puede utilizar líquido combustible para encender el carbón, pero no recomendamos este método. El líquido de encendido es sucio y puede dejar un sabor químico en la comida si no se quema bien antes de cocinar. Una vez encendido el carbón, no agregue líquido combustible a la parrilla. Almacene el recipiente del líquido combustible a 7,6 m de la parrilla mientras esté en funcionamiento.

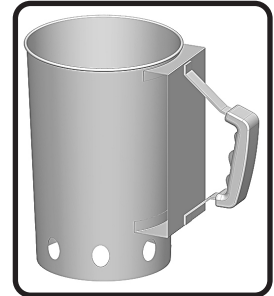
Procedimientos de seguridad durante el funcionamiento del encendedor de carbón



ADVERTENCIA!

- Solamente para uso en exteriores.
- Utilice el encendedor de carbón sobre una rejilla para carbón firme y nivelada, y en una parrilla sobre una superficie firme, llana y no combustible.
- No coloque el encendedor de carbón sobre superficies combustibles mientras esté caliente.
- No utilice líquido de encendido, gasolina ni carbón autoencendible en el encendedor de carbón.
- Utilice el encendedor de carbón solamente para encender carbón en parrilla a carbón.
- Siempre utilice guantes protectores para manipular el encendedor de carbón.
- Mantenga a los niños y animales alejados del encendedor de carbón en todo momento.
- No utilice el encendedor de carbón en zonas muy ventosas.
- No descuide el encendedor de carbón cuando está en funcionamiento.
- No se incline sobre el encendedor de carbón cuando encienda el artefacto.
- Nunca utilice el encendedor de carbón para otro uso que no sea el indicado. No utilice el encendedor de carbón para preparar comidas.
- Tenga extrema precaución cuando retire las brasas calientes del encendedor de carbón.

EL ENCEDEDOR DE CARBÓN



ES

Uso del encendedor de carbón

- Dé vuelta el encendedor de carbón.
- Coloque dos hojas de papel de periódico arrugadas en la parte inferior del encendedor de carbón.
- Dé vuelta el encendedor de carbón y colóquelo en el centro de la rejilla para carbón.
- Agregue una cantidad apropiada de carbón, pero no lo sobrecargue.
- Encienda un cerillo y colóquelo en uno de los orificios de ventilación de la parte inferior para encender el papel de periódico.
- Cuando la capa superior de carbón esté cubierta de cenizas, utilice guantes protectores y, con cuidado, vierta las brasas calientes sobre la rejilla para carbón (método de cocción directa) o en los canastos para carbón (método de cocción indirecta).
- Luego de colocar las brasas calientes en la parrilla, utilice pinzas con mangos largos y resistentes al calor para distribuir uniformemente el carbón.

Manual de cocina al carbón

El carbón es la forma tradicional de cocción que conocemos. Las briquetas emiten energía infrarroja a la comida que se está preparando, con poco efecto de secado. Los jugos y aceites que escapan de los alimentos gotean sobre el carbón y se evaporan para darle a la comida ese delicioso sabor de las brasas. Lo más importante es que la parrilla a carbón de Napoleon genera calor abrasador para la cocción de bistecs, hamburguesas y otras carnes más jugosas y sabrosas. Para conocer los tiempos de cocción y otras sugerencias, consulte el gráfico de cocción en parrilla a carbón.

El siguiente gráfico de cocción es solamente una guía. Los tiempos de cocción pueden alterarse a causa de la altitud, la temperatura exterior, el viento y el punto de cocción deseado que se reflejará en su tiempo de cocción. Utilice un termómetro para carnes para cocinar los alimentos de manera adecuada.

Gráfico de cocción en parrilla al carbón

Comida	Fuego directo/ indirecto	Tiempo de cocción	Sugerencias útiles
Bistecs 2,5 cm de espesor	Fuego directo	6-8 min.: medio	Cuando elija la carne para asar, pídale con vetas de grasa. La grasa actúa como un ablandador natural durante la cocción y mantiene la carne húmeda y jugosa.
Hamburguesas 1,5 cm de espesor	Fuego directo	6-8 min.: medio	La preparación de hamburguesas se facilita si se varía su espesor. Para agregar un sabor exótico a la carne, incorpore trozos de madera de nogal americano al carbón.
Trozos de pollo	Fuego directo: 2 min. de cada lado aprox. Fuego indirecto: 18-20 min. restantes	20-25 min.	Corte 3/4 partes de la articulación que une el muslo y la pata desde el lado sin piel para que la carne repose de manera plana sobre la parrilla. De este modo, la cocción será más rápida y uniforme. Para agregar un sabor característico a la comida, incorpore trozos de madera de mezquite al carbón.
Chuletas de cerdo	Fuego directo	10-15 min.	Retire el excedente de grasa antes de asar. Elija chuletas más gruesas para obtener una carne más tierna.
Costillas	Fuego directo: 5 min. Fuego indirecto: tiempo de cocción restante.	1,5-2 hs. Darlas vuelta con frecuencia.	Elija costillas magras y carnosas. Áselas hasta que la carne se desprenda fácilmente del hueso.
Chuletas de cordero	Fuego directo	25-30 min.	Retire el excedente de grasa antes de asar. Elija chuletas muy gruesas para obtener una carne más tierna.
Perros calientes	Fuego directo	4-6 min.	Seleccione las salchichas más grandes. Corte la piel de forma longitudinal antes de asar.

Instrucciones para cocinar

Encendido inicial: cuando se enciende por primera vez, la parrilla emite un ligero olor. Este olor es normal y temporario causado por el "quemado" de las pinturas y los lubricantes internos utilizados en el proceso de fabricación. No ocurrirá la próxima vez que encienda la parrilla. Simplemente mantenga la parrilla a fuego alto (HI) durante aproximadamente 30 minutos, con los orificios de ventilación de la tapa y de la base abiertos completamente.

Uso de la parrilla: se recomienda precalentar la parrilla con la tapa cerrada durante aproximadamente 20 minutos. Las brasas están listas cuando tienen una capa de cenizas. Las comidas que necesitan períodos cortos de cocción (pescado, vegetales) se pueden asar con la tapa abierta. La cocción con la tapa cerrada garantiza temperaturas más altas y constantes que reducen el tiempo de cocción y permiten la cocción más uniforme de los alimentos. Al cocinar carnes muy magras, como pechugas de pollo o cerdo magro, lubrique con aceite las rejillas antes del precalentado para que la carne no se pegue. La cocción de carnes con un alto grado de contenido graso puede ocasionar llamaradas. Para evitarlo, quite la grasa o reduzca la temperatura. Si se producen llamaradas, aleje los alimentos de las llamas y reduzca la temperatura (cierre los orificios de ventilación). Deje la tapa abierta.

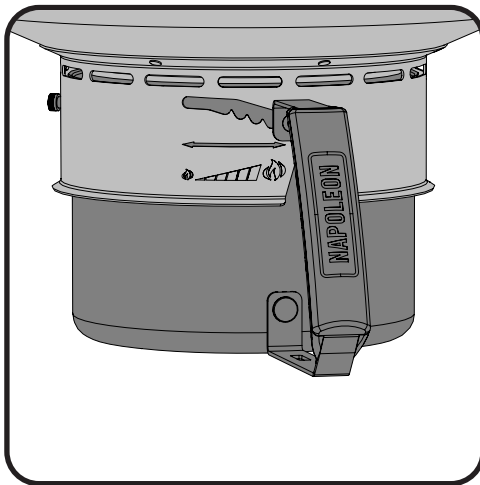
Como regla general, utilice 50 briquetas por kilo de carne. Si cocina durante más de 30 o 40 minutos, agregue briquetas al fuego. En caso de clima frío o ventoso, necesitará más briquetas para lograr la temperatura de cocción ideal.

Agregar carbón durante la cocción: Tenga cuidado al agregar carbón en la parrilla. Cuando el carbón entra en contacto con aire fresco puede ocasionar llamaradas. Aléjese y utilice pinzas de cocina con mangos largos y resistentes al calor para agregar briquetas de carbón. La rejilla posee tapas en los lados para permitir el acceso a la parrilla para carbón.

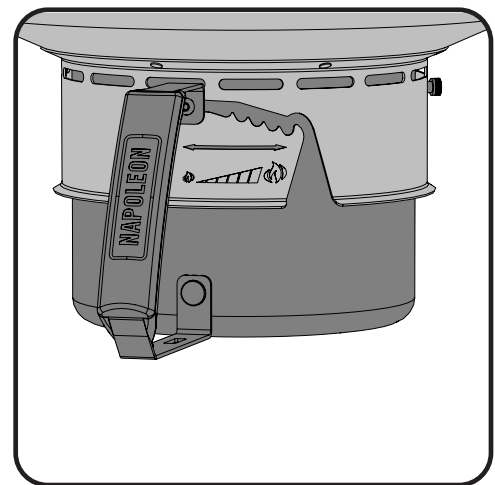


ADVERTENCIA! Nunca incorpore líquido combustible en las brasas calientes o tibias. No se necesitan más líquidos luego de encender el carbón.

Funcionamiento de los orificios de ventilación: deje abiertos los orificios de ventilación de la tapa de la parrilla cubierta para permitir que el aire ingrese en la parrilla. El aire aumenta la combustión de las brasas. Mueva las aberturas de los orificios de ventilación hacia la derecha o izquierda para regular la temperatura de la parrilla. Cierre completa o parcialmente los orificios de ventilación para enfriar las brasas. No cierre completamente los orificios de ventilación, tampoco los de la tapa, a menos que quiera reducir o apagar una llama.



Ventilación abierta



Ventilación cerrada

Seguridad luego del uso



ADVERTENCIA! Siga detenidamente estas instrucciones de seguridad para protegerse usted y a su propiedad de los daños.

- Cierre la tapa de la parrilla y todos los orificios de ventilación para apagar el fuego.
- Deje enfriar la parrilla completamente antes de manipularla.
- Nunca descuide las brasas y cenizas de la parrilla. Asegúrese de que las brasas y cenizas se apaguen completamente antes de retirarlas de la parrilla.
- Utilice una espátula o pala de metal para retirar las brasas y cenizas de la parrilla. Colóquelas en un recipiente metálico no combustible y moje completamente con agua. Déjelas en el recipiente durante 24 horas antes de desecharlas.

Instrucciones de mantenimiento y limpieza

Se recomienda vaciar la bandeja para cenizas/de goteo luego de cada uso.



ADVERTENCIA! Asegúrese de que la parrilla esté completamente fría, y las brasas, apagadas antes de retirar cualquier parte de la parrilla.



ADVERTENCIA! Siempre utilice guantes y lentes protectores para limpiar la parrilla.



ADVERTENCIA! No utilice agua a presión para limpiar la parrilla.



ADVERTENCIA! Para evitar quemaduras, se debe realizar el mantenimiento cuando la parrilla esté fría. Evite el contacto, sin protección, con superficies calientes. Limpie la parrilla en un lugar donde los líquidos de limpieza no dañen terrazas, patios o el césped. No utilice limpiador para hornos para limpiar ninguna pieza de la parrilla. No utilice un horno con autolimpieza para limpiar las rejillas de cocción ni ninguna otra pieza de la parrilla. La salsa barbacoa y la sal pueden ser corrosivas y deteriorar rápidamente los componentes de la parrilla, a menos que se limpie con regularidad.

Rejillas y rejilla de calentamiento: el mejor método de limpieza de las rejillas y la rejilla de calentamiento es utilizar un cepillo con dientes de bronce durante el período de precalentamiento. El estropajo de aluminio se puede utilizar para limpiar manchas persistentes.

Limpieza del interior de la parrilla: Retire las rejillas de cocción. Utilice un cepillo con dientes de bronce para limpiar los restos sueltos en el tazón y en el interior de la tapa. Raspe el interior del tazón con una espátula o raspador, y utilice un cepillo con dientes de bronce para quitar la ceniza. Retire todos los residuos del interior de la parrilla hacia la bandeja desmontable para cenizas/de goteo. Limpie el interior de la parrilla con un detergente suave y agua. Enjuague bien con agua limpia y seque.



ADVERTENCIA! La grasa acumulada es un peligro de incendio. Limpie la bandeja de goteo después de cada uso para evitar que la grasa se acumule.

Bandeja para cenizas/de goteo: las cenizas y las gotas sobrantes o de grasa quedan en la bandeja para cenizas/de goteo ubicada debajo de la parrilla a carbón, y se acumulan. Para limpiar, deslice la bandeja hasta retirarla completamente de la parrilla. Nunca cubra la bandeja con papel de aluminio, arena ni ningún otro material, ya que esto podría evitar la circulación correcta de la grasa. Raspe la bandeja con una espátula o raspador, y arroje los residuos en un recipiente metálico no combustible. Limpie la bandeja para cenizas/de goteo con detergente suave y agua. Enjuague bien con agua limpia y seque.

Limpieza de la superficie exterior de la parrilla: no utilice limpiadores abrasivos ni estropajo en piezas pintadas, de porcelana o acero inoxidable de la parrilla Napoleon. De lo contrario, rayará el acabado de la unidad. Limpie las superficies exteriores de la parrilla con agua templada y jabón mientras el metal está aún caliente al tacto. Para limpiar superficies de acero inoxidable, utilice un limpiador de acero inoxidable o no abrasivo. Aplique siempre el limpiador en la dirección del grano. Con el tiempo, las piezas de acero inoxidable se decoloren con el calor, adquiriendo normalmente un tono dorado o marrón. Esta decoloración es normal y no afecta al rendimiento de la parrilla. Los componentes esmaltados de porcelana se deben tratar con especial cuidado. El acabado de esmalte horneado es similar al vidrio, por lo que se picará si sufre un golpe. Puede solicitar esmalte para retoques a su proveedor de la parrilla Napoleon.

Parrillas de hierro fundido: las parrillas de hierro fundido que incluye su nueva barbacoa ofrecen una distribución y retención del calor mayor. Untando regularmente las parrillas con un poco de aceite les aporta una protección adicional, la cuál les ayudará a resistir mejor a la corrosión y aumentará sus posibilidades antiadherentes.

Para el primer uso: lave las parrillas a mano con un poco de jabón y agua para retirar los residuos del proceso de fabricación (nunca las ponga dentro del lavaplatos). Lávelas bien con agua caliente y séquelas con un trapo limpio y suave. Esto es algo muy importante para evitar que la humedad entre dentro del hierro fundido.

Untado de aceite: utilizando un trapo suave, ponga un poco de grasa vegetal (aceite) por la superficie de las parrillas y úntela por todas partes, incluidas las esquinas y huecos. No utilice grasas con sal tipo margarina o mantequilla. Precaliente la barbacoa durante 15 minutos, luego ponga las parrillas en la barbacoa. Ponga los mandos a temperatura media y cierre la tapa. Deje que las parrillas se calienten durante más o menos media hora. Apague los quemadores poniendo los mandos en la posición "Off" y cierre el gas. Deje las parrillas en la barbacoa hasta que se enfríen. Este proceso puede repetirse varias veces durante la temporada, y no hace falta hacerlo en cada uso (siga las indicaciones para uso diario).

Uso diario: Antes de pre-calentar la barbacoa y limpiarla con un cepillo metálico, unte las parrillas con una grasa vegetal (aceite). Precaliente la barbacoa y cepille los residuos que haya.

Solución de problemas

Problema	Causas posibles	Solución
Fuego / Llama bajos.	<p>Pre calentamiento inadecuado.</p> <p>Corriente de aire insuficiente.</p> <p>Poca cantidad de carbón.</p> <p>Apertura frecuente de la tapa.</p>	<p>Permita que el carbón se quemara hasta que quede cubierto de cenizas. (generalmente, 20-25 min)</p> <p>Abra los orificios de ventilación.</p> <p>Agregue más carbón a la bandeja para carbón.</p> <p>Deje que los alimentos se cocinen con la tapa cerrada. Cada vez que retira la tapa, la temperatura desciende. En estos casos, se necesita un tiempo de cocción más prolongado.</p>
Llamaradas excesivas / fuego irregular.	<p>Pre calentamiento inadecuado.</p> <p>Acumulamiento excesivo de grasa y cenizas en la bandeja para cenizas/de goteo.</p>	<p>Pre caliente la parrilla con la tapa cerrada durante 20-25 min y distribuya las brasas de manera uniforme.</p> <p>Limpie la bandeja para cenizas/de goteo regularmente. Nunca cubra la bandeja con papel de aluminio. Consulte las instrucciones de limpieza.</p>
La "pintura" parece pelarse en el interior de la tapa o campana.	<p>Acumulación de grasa en las superficies internas.</p>	<p>No es un defecto. El acabado de la tapa es de porcelana y no se descascara. El resquebrajamiento se produce a causa de la grasa endurecida que se seca en forma de fragmentos con aspecto de pintura que se descascara. Para evitar este problema, realice la limpieza regularmente. Consulte las instrucciones de limpieza.</p>

Resumen de la cocción en parrilla a carbón.

Encendido de la parrilla

- Antes de cocinar por primera vez, se recomienda mantener la parrilla a fuego alto (HI) durante 30 minutos, con los orificios de ventilación de la tapa y de la base abiertos completamente. De esta manera, se quemará cualquier lubricante utilizado en el proceso de fabricación.
- Cada vez que encienda la parrilla, abra completamente los orificios de ventilación de la tapa y de la base.
- Asegúrese de que la bandeja para cenizas esté limpia y vuelva a instalarla.
- Puede utilizar la parrilla con o sin el deflector de aire central. El deflector asegura una temperatura constante y disminuye la velocidad de combustión.
- Utilice el encendedor de carbón de la serie Ultra Chef (no incluido), como lo indican las instrucciones del manual, o coloque pastillas de encendido o papel de periódico alrededor y sobre el deflector de aire. Coloque el carbón en forma de pirámide en el centro de la unidad (método de cocción directa) o en los canastos para carbón opcionales (método de cocción indirecta).
- Una vez encendida la unidad, cierre la tapa y permita que el carbón se queme hasta que quede cubierto de cenizas (aproximadamente 20 minutos), y distribuya el carbón con pinzas con mangos resistentes al calor de acuerdo al método de cocción que realice.
- Puede utilizar líquido combustible para encender el carbón, pero no recomendamos este método. El líquido de encendido es sucio y puede dejar un sabor químico en la comida si no se quema bien antes de cocinar. Una vez encendido el carbón, no agregue líquido combustible a la parrilla. Almacene el recipiente del líquido combustible a 7,6 m de la parrilla en funcionamiento.
- Se puede lograr un sabor ahumado si se agregan trozos de madera de distintos sabores suministrados por el distribuidor de Napoleon.

Cocción en la parrilla

- Se recomienda precalentar la parrilla con la tapa cerrada durante aproximadamente 20 minutos. Las brasas están listas cuando tienen una capa de cenizas.
- Como regla general, utilice 50 briquetas por kilo de carne. Si cocina durante más de 30 o 40 minutos, agregue briquetas al fuego. En caso de clima frío o ventoso, necesitará más briquetas para lograr la temperatura de cocción ideal.
- Tenga cuidado al agregar carbón en la parrilla. Cuando el carbón entra en contacto con aire fresco puede ocasionar llamaradas. Aléjese y utilice pinzas de cocina con mangos largos y resistentes al calor para agregar briquetas de carbón.
- Deje abiertos los orificios de ventilación de la tapa de la parrilla cubierta para permitir que el aire ingrese en la parrilla. El aire aumenta la combustión de las brasas. Mueva las aberturas de los orificios de ventilación hacia la derecha o izquierda para regular la temperatura de la parrilla.
- Deje que los alimentos se cocinen con la tapa cerrada. Cada vez que retira la tapa, la temperatura desciende. En estos casos, se necesita un tiempo de cocción más prolongado.
- Cierre completa o parcialmente los orificios de ventilación para enfriar las brasas. No cierre completamente los orificios de ventilación, tampoco los de la tapa, a menos que quiera reducir o apagar una llama.
- Lubrique con aceite las rejillas antes del precalentado para que los alimentos no se peguen.
- Utilice un termómetro para carnes para cocinar los alimentos de manera adecuada.

Limpieza de la parrilla

- Cierre la tapa de la parrilla y todos los orificios de ventilación para apagar el fuego.
- Deje enfriar la parrilla completamente antes de manipularla.
- Nunca descuide las brasas y cenizas de la parrilla. Asegúrese de que las brasas y cenizas se apaguen completamente antes de retirarlas de la parrilla.
- Utilice una espátula o pala de metal para retirar las brasas y cenizas de la parrilla. Colóquelas en un recipiente metálico no combustible y moje completamente con agua. Déjelas en el recipiente durante 24 horas antes de desecharlas.
- Utilice un cepillo con dientes de bronce para limpiar los restos sueltos en el tazón y en el interior de la tapa.
- Limpie el interior de la parrilla con un detergente suave y agua. Enjuague bien con agua limpia y seque.
- Utilice con extremo cuidado los componentes esmaltados de porcelana. El acabado esmaltado al horno es similar al vidrio y se descascara si se golpea. Solicite el esmalte para retoques a su distribuidor de la parrilla Napoleon.

CONSERVE SU FACTURA COMO PRUEBA DE COMPRA PARA VALIDAR SU GARANTÍA.

Solicitud para cambio de piezas

Información de la garantía

MODELO: _____

FECHA DE COMPRA: _____

NÚMERO DE SERIE: _____

(Registre la información aquí para poder recurrir a ella fácilmente cuando lo necesite)

Contacte a su distribuidor local directamente (consulte la lista de distribuidores adjunta a su asador) para solicitar un cambio de cualquier pieza o consultar garantías.

Antes de ponerse en contacto con el departamento de soluciones al cliente, consulte el sitio Web de Napoleon para obtener instrucciones más detalladas sobre limpieza, mantenimiento, solución de problemas y recambio de piezas: www.napoleon.com

Para procesar una reclamación, necesitamos que nos proporcione la siguiente información:

1. Modelo y número de serie de la unidad.
2. Número y descripción de la pieza.
3. Descripción precisa del problema ("roto" no es suficiente).
4. Prueba de compra (fotocopia de la factura).

En determinados casos, el representante de atención al cliente podrá solicitar que las piezas sean devueltas a la fábrica para su inspección antes de proporcionar las piezas de recambio.

Antes contactar a Aervicio al Cliente, tenga en cuenta que la garantía no cubre los siguientes costos:

- Costos de transporte, rotura o impuestos de exportación.
- Costos de mano de obra para extracción y reinstalación.
- Costos de llamadas de servicio para diagnosticar problemas.
- Decoloración de las piezas de acero inoxidable.
- Fallo de las piezas por falta de limpieza y mantenimiento, o uso no adecuado de limpiadores (limpiador de hornos).

ES



60

Notes

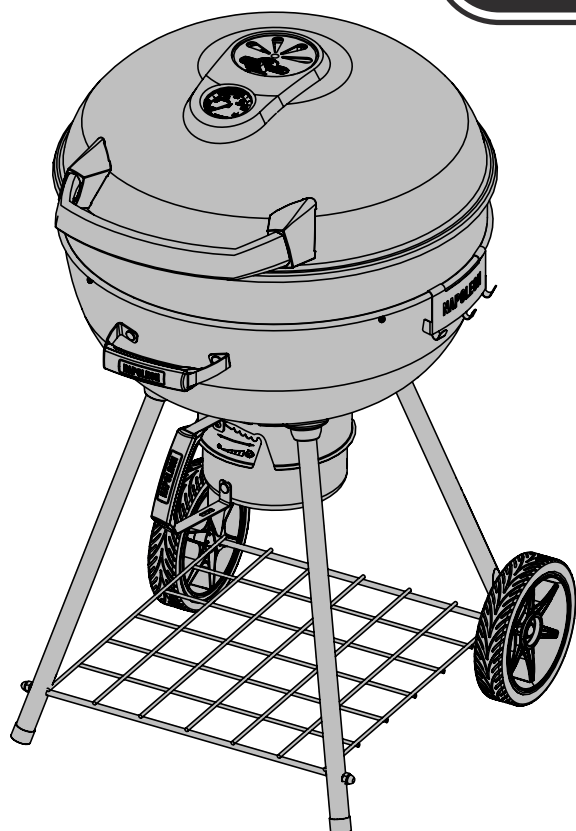
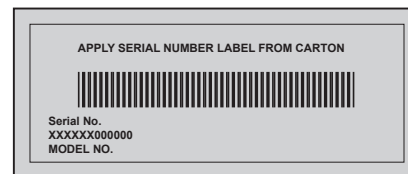
ES



BRUKS- OCH MONTERINGSANVISNING

DENNA GRILL FÅR ENDAST ANVÄNDAS UTOMHUS I ETT VÄLVENTILERAT UTRYMME
BEHÅLL DENNA ANVISNING FÖR FRAMTIDA BRUK

KOLGRILL FÖR UTOMHUSBRUK



PRO22K-LEG-2

SE



VARNING

Läs noggrant igenom hela anvisningen innan ni börjar använda grillen.



FARA

Grillning med kol avger kolmonoxid. Grilla inte med kol/briketter inomhus i garage, tält, fordon eller i annat slutet utrymme.



VARNING! Följs inte denna instruktion exakt kan brand uppstå vilket kan orsaka allvarlig skada.

Wolf Steel Europe BV
De Riemsdijk 22, 4004 LC, Tiel
The Netherlands
eu.info@napoleon.com

NAPOLEON's begränsade 10-årsgaranti

NAPOLEON-produkter är konstruerade med förstklassiga komponenter och material och är monterade av utbildade hantverkare med stor yrkesskicklighet och noggrannhet. Denna grill har noggrant inspekterats av en kvalificerad tekniker innan paketering och frakt för att säkerställa att du som kund får den kvalitetsprodukt du förväntar dig av NAPOLEON.



NAPOLEON's begränsade 10-årsgaranti gäller under följande perioder:

Lock och balja – porslinsmaljerat	10 år
Luftstylningsdelar	5 år, plus "50 % rabatt" t.o.m. år 10
Grillgaller - porslinsmaljerat gjutjärn	5 år, plus "50 % rabatt" t.o.m. år 10
Grillgaller – kromat	3 år, plus "50 % rabatt" t.o.m. år 10
Övriga delar	2 år

*Villkor och begränsningar

NAPOLEON garanterar dess produkter mot fabriktionsfel enligt ovanstående tabell förutsatt att inköpet gjordes hos en auktoriserad NAPOLEON-återförsäljare samt att produkten använts för normal privat användning. Denna garanti kan inte på något sätt överlåtas utan gäller endast för den ursprungliga köparen.

"50 % rabatt" i ovanstående tabell innebär att köparen erbjuds att, efter utgången garantitid, köpa reservdelar med 50 % rabatt på gällande pris.

Med "Normal privat användning" menas att produkten har installerats enligt medföljande manual, installationen uppfyller gällande lokala och nationella föreskrifter, underhållits enligt medföljande manual och inte använts för kommersiellt syfte.

Inbyggnads- samt naturgasgrillar som ska kopplas till fast anslutning måste installeras av en licensierad, auktoriserad servicetekniker eller installatör. Installationen ska utföras i enlighet med de anvisningar som medföljer produkten samt lokala och nationella bygg- och brandföreskrifter.

Denna garanti täcker inte skador som orsakats av överhettning eller att lågan slocknar p.g.a. t.ex. miljöfaktorer som stark vind eller otillräcklig ventilation, repor, bucklor, ytrost, missfärgning av lackerade eller målade delar, missfärgning orsakad av värme, slipmedel, rengöringsmedel eller UV-exponering, flisning på delar av porslinsmaljerat gjutjärn. Garantin gäller inte heller skador som orsakats av felaktig användning, olyckshändelse, hagelskurar, fettbränder,

bristande underhåll, miljöer med höga halter av klor eller salt, modifieringar, missbruk eller försummelse. Även att använda delar från andra tillverkare upphäver garantin. Om delar inom garantitiden blir så pass defekta att de inte längre uppfyller sin funktion, kommer en reservdel att tillhandahållas.

NAPOLEON's garantiåtagande omfattar endast att tillhandahålla en utbytesdel och omfattar inte ersättning för eventuella kostnader för installation, arbete eller andra kostnader eller utgifter i samband med ominstallation av garanterad del. Man ansvarar inte heller för eventuella transportkostnader eller tullavgifter.

Denna garanti är ett komplement till gällande lokala lagar och föreskrifter. Följaktligen innebär inte denna garanti att NAPOLEON har någon skyldighet att lagervarv reservdelar. Baserat på tillgång av reservdelar, kan NAPOLEON besluta att istället för utbytesdel tillhandahålla en ny produkt till rabatterat pris. Efter det första året, kan NAPOLEON trots gällande garantier, välja att istället för att tillhandahålla reservdelar ge återförsäljaren en återbetalning på det belopp som motsvarar hans inköpspris för den defekta delen.

Kvitto eller kopia på köpet ska uppvisas tillsammans med bild på typskylt med serienummer och bild på defekt del när det görs anspråk på garantin. NAPOLEON förbehåller sig rätten att låta en representant inspektera den defekta produkten eller delen innan eventuell åtgärd genomförs. Vid anspråk på garantin ska köparen först vända sig till inköpsstället av produkten och i andra hand till generalagenten i det land som grillen är köpt.

SE



www.napoleon.com



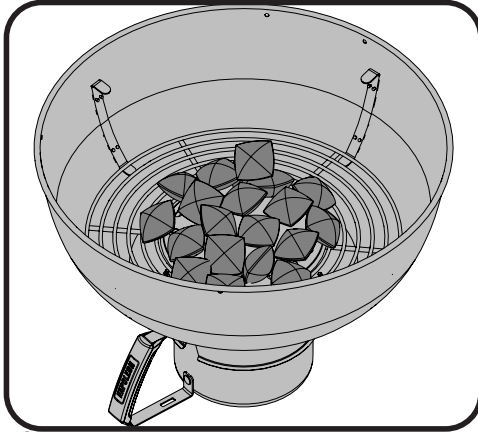
WARNING! Om instruktionerna inte efterföljs, kan detta resultera i egendomsskada, personskada eller dödsfall. Läs och följ alla varningar och instruktioner i denna handbok innan grillen används.

För din säkerhet

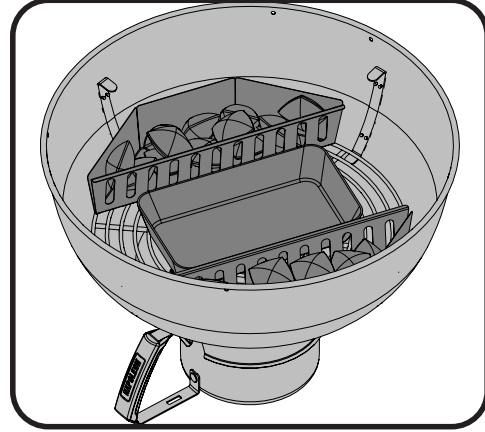
- Läs hela bruksanvisningen innan du använder grillen.
- Under inga omständigheter får denna grill modifieras.
- Följ instruktionerna noga om upptändning innan du börjar använda grillen.
- Antänd inte grillkolen med locket stängt.
- Luta dig inte över grillen när du tänder.
- Använd inte bensin, alkohol eller andra lättflyktiga vätskor för att antända kolen. Använd **ENDAST** tändvätska avsedd för grillkol. Se till att ingen överbliven vätska ligger kvar i botten av grillen när du tänder.
- Tändvätska får aldrig sprutas på i efterhand på heta eller ens varma kol.
- Förvara aldrig tändvätska i närheten av grillen, se till att du har ett ordentligt säkerhets-avstånd (min 7,5 m).
- Håll barn och husdjur borta från en het grill.
- Lämna inte grillen utan uppsikt under användning.
- Flytta inte grillen när den är varm eller under drift.
- Denna grill får inte installeras i eller på fritidsfordon och / eller båtar.
- Denna grill får endast förvaras utomhus i ett väl ventilerat utrymme och får inte användas inne i en byggnad, garage, inbyggd altan, lusthus eller annat slutet utrymme.
- Håll rätt avstånd till brännbara material, 1,5 m åt alla sidor. Detta avstånd gäller också platsbeklädad eller glasrutor. Grillen får inte användas på brännbart underlag (trä eller kompositdäck eller verandor).
- Håll alltid ventilationsöppningar i kåpan fria från skräp.
- Använd inte grillen under några utskjutande tak som taktäckningar, carportar, markiser eller annat överhäng av brännbart material.
- Placera inte grillen på en plats utsatt för vind. Kraftig vind kan påverka tillagningens prestanda negativt.
- Locket ska vara stängt under uppvärmning.
- Ask- droppbehållare måste finnas på plats när du använder grillen.
- Rengör ask/droppbehållaren regelbundet, en fettpåbyggnad kan leda till att fett tar eld.
- Använd inte sidohyllan för att förvara tändare, tändstickor eller andra brännbara ämnen.
- Grillen ska stå på plan mark hela tiden.
- Använd inte vatten för att kontrollera uppflammande lågor eller för att släcka kol, eftersom det kan skada finishen på din grill.
- För att kontrollera uppflammande lågor, skjut till ventilerna på din grill. För att helt släcka grill kolen / brand, stäng alla ventiler och locket helt.
- Använd rätt grillverktyg med långa, värmetåliga handtag.
- Använd grillvantar eller grytlappar för att skydda händerna under matlagning eller när du justerar ventilerna.
- Ta inte bort askan från grillen innan allt kol är helt utbränd och helt släckt. Ge grillen gott om tid att svalna.
- Återstående kol och aska skall avlägsnas från grillen och förvaras i en obrännbar behållare av metall. Släng inte innehållet förrän tidigast ett dygn efter användning.
- Håll elsladdar borta från vatten eller heta ytor.

Instruktioner för tändning

DIREKT TILLAGNING



INDIREKT TILLAGNING



Åtgång grillbriketter

Grillens diameter	Tillagningsmetod	Rekommenderad brikettmängd
22" (56cm)	Direkt tillagning	50
22" (56cm)	Indirekt tillagning	25 per sida *(lägg till 8 briketter per sida för varje extra timme av tillagning)

* Rekommenderade antal briketter är ungefärliga, en längre tillagningstid kräver fler briketter. Likaså krävs fler briketter vid kallare och blåsigare väderlek för att uppnå en ideal tillagningstempertur.



VARNING! Öppna locket

VARNING! Placera grillen utomhus på en stabil, jämn och obrännbar yta. Använd aldrig grillen på en träyta eller annan yta som kan börja brinna.

VARNING! Luta dig inte över grillen när du tänder den.

VARNING! Askbehållaren måste vara på plats vid upptändning och under användning.

SE

DIREKT TILLAGNINGSMETOD	INDIREKT TILLAGNINGSMETOD
1. Öppna ventilen på locket och i botten fullt. Lyft locket och ta bort grillgallret.	1. Öppna ventilen på locket och i botten fullt. Lyft locket och ta bort grillgallret.
2. Se till att askbehållaren är rensad från gammal aska och sätt tillbaka den på plats.	2. Se till att askbehållaren är rensad från gammal aska och sätt tillbaka den på plats.
3. Grillen kan användas antingen med eller utan värmefördelningsplåten. Värmefördelningsplåten ser till att det blir en jämnare temperatur och fördelar intensiteten i mitten av grillen. Använd antingen en Ultrachef skorstenständare (ingår ej) enligt särskild instruktion i manualen eller placera upptändningskuddar eller lätt skrynklat tidningspapper på och runt värmefördelningsplåten. Placera grillkol/briketter i en konformad hög i mitten av grillen på tidningspappret eller upptändningskuddarna.	3. Ta bort värmefördelningsplåten och sätt dit en droppskål. Placera dit extra grillkolskorgar (tillval) på vardera sidan om droppskålen. Använd antingen en Ultrachef skorstenständare (ingår ej) enligt särskild instruktion i manualen eller placera upptändningskuddar eller lätt skrynklat tidningspapper i grillkolskorgarna. Placera grillkol i korgarna på tidningen eller upptändningskuddarna.
4. Tänd tidningen eller kuddarna. När det brinner, stäng locket och låt grillkolen brinna tills dom är täckta av en ljusgrå aska (ca 20 minuter).	4. Tänd tidningen eller kuddarna. När det brinner, stäng locket och låt grillkolen brinna tills dom är täckta av en ljusgrå aska (ca 20 minuter).
5. Använd verktyg med långa värmeståliga handtag, sprid kolen till att jämnt täcke över hela gallret (inklusive värmefördelningsplåten).	



Tändvätska kan användas för att tända grillkol, men det är inte den bästa metoden. Det kan vara kladdigt och kan lämna en kemisk smak på maten som inte helt bränns bort före tillagning. Om du använt tändvätska, spruta aldrig på mer efter tändning. Förvara flaskan minst 7,5 m från grillen vid användning.

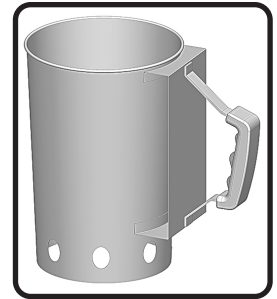


Säkerhetsanvisning för grillkolständare

VARNING!

- För användning utomhus.
- Använd inte grillkolständare om det inte placeras på ett fast, plant kolgaller och kolgrillen på ett fast, plant, icke brännbart underlag.
- Placera inte grillkolständaren på en brännbar yta om den inte är helt kall.
- Använd aldrig tändvätska, bensin eller annan antändlig vätska i grillkolständaren.
- Använd endast grillkolständare för att tända grillkol i din kolgrill.
- Använd alltid grillvantar vid hantering av grillkolständaren.
- Håll barn och husdjur borta från grillkolständaren hela tiden.
- Använd inte grillkolständaren i hård vind.
- Lämna inte grillkolständaren obebakad under användning.
- Luta dig inte över grillkolständaren vid upptändning.
- Använd aldrig grillkolständaren för annat än avsett ändamål. Använd inte grillkolständaren för att tillaga mat.
- Var mycket försiktig när du håller glödande kol ur grillkolständaren.

GRILLKOLSTÄNDARE



Användning av grillkolständare

- Vänd grillkolständaren upp och ner.
- Ta två tidningssidor och skrynkla ihop och stoppa dem i botten av grillkolständaren.
- Vänd grillkolständaren och placera den i mitten av grillkolsgallret.
- Lägg i lämplig mängd grillkol, men överfyll den inte.
- Tänd en tändsticka och sätt i ett av de nedre luftintagen för att tända tidningen.
- När översta lagret av kol har en ljus beläggning av grå aska är kolen färdiga att hålla över på grillkolsgallret, använd grillvantar. Håll försiktigt de glödande kolen direkt på gallret (direkt matlagnings metod) eller placera kolen i korgarna (indirekta metoden).
- Sprid ut de glödande kolen jämnt med hjälp av en tång med långt, värmetåligt handtag.

SE

Tillagnings guide för grillning

Att grilla med träkol är det traditionella sättet vi känner till. De glödande kolen avger infraröd energi till maten som tillagas med mycket liten uttorkning. All olja eller köttsaft som droppar från maten hamnar på kolen och förångas i rök som ger maten den läckra grillade smaken. Napoleons kolgrill ger värme som tillsluter köttet för saftigare, godare biffar, hamburgare och annat kött. Tillagningstider och tips finns i diagrammet nedan.

Följande grillnings diagram är tänkt att endast vara en riktlinje. Matlagnings tider påverkas av faktorer såsom höjd, utetemperatur, vind, och hur du vill ha din mat tillagad, vilket kommer att återspeglas i din matlagnings tid. Använd en stektermometer i köttet för att säkerställa att maten är färdig.

Diagram för kolgrillning

Mat	Direkt/indirekt Värme	Tillagningstid	Andvändbara tips
Biff 2,5 cm tjock	Direkt värme	6-8 min.– Medium	När du väljer kött för grillning, fråga efter marmorert kött. Fettet fungerar som ett naturligt mörningsmedel under matlagning och håller den fuktig och saftig.
Hamburgare Ca 1,5 cm tjock	Direkt värme	6-8 min.– Medium	Hur man vill ha sin hamburgare underlättas genom att variera tjockleken på dina biffar. För att lägga till en exotisk smak på ditt kött, testa hickory rökspån på grillkolen.
Kycklingdelar	Direkt värme i ca 2 min. på vardera sidan. Indirekt värme för återstående 18-20 min.	20-25 min.	Skär gärna upp tjockare partier och vik ut köttet. Detta hjälper till att laga maten snabbare och jämnare. För att lägga till en egen smak till din matlagning, prova att lägga till Mesquite rökspån på grillkolen.
Fläskkotlett	Direkt värme	10-15 min.	Ta bort onödigt fett innan grillning. Välj tjockare kotletter för saftigare och rikare smak.
Revben	Direkt värme i 5 min. Indirekt värme tills de är färdiga.	1,5 – 2 timmar, vänd ofta	Välj revben som är magra och köttiga. Grilla tills köttet lossnar lätt från benen.
Lammkotletter	Direkt värme	25-30 min.	Ta bort onödigt fett innan grillning. Välj extra tjocka kotletter för saftigare och rikare smak.
Varm korv	Direkt värme	4-6 min.	Välj helst tjockare wienerkorv. Snitta skinnet längs med innan grillning.

Instruktioner för tillagning

Första upptändning: Grillen kan avge en svag lukt första gången den används. Detta är normalt då fett och färgresten som används i tillverkningsprocessen bränns av. Bränn ur grillen i ca 30 min på hög värme med locket av och alla ventiler fullt öppna så försvinner denna lukt.

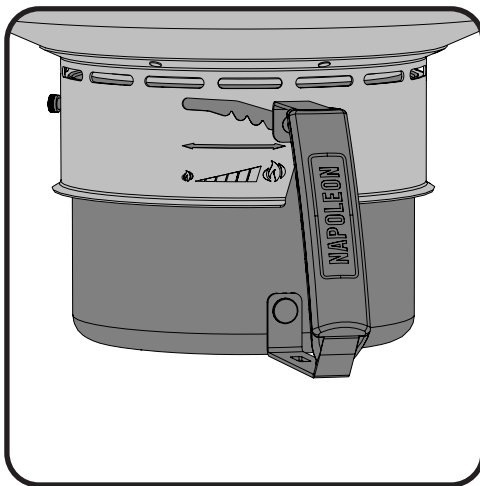
Grill användning: Vi rekommenderar att grillen förvärms genom att den eldas med locket stängt i ca 20 min. Kolen är färdiga när de har ett tunt lager grå aska. Mat som tillagas under kortare period (fisk, grönsaker) kan grillas med locket öppet. Matlagning med locket stängt garanterar högre, jämnare temperaturer som kommer att minska tillagningstid och laga maten jämnare. Vid tillagning av mycket magert kött, t.ex. kycklingbröst eller magert fläskkött, kan gallret oljas innan förvärmning för att minska risken att maten fastnar. Kött med ett högt fettnnehåll kan orsaka uppflammande lågor. Tag antingen bort onödigt fett eller minska temperaturen för att förhindra detta. Om en uppflammande låga inträffar, flytta bort maten från lågorna, minska värmen (skjut till ventilen). Lämna locket öppet. Som en allmän regel, planera att använda ca 50 briketter för att laga 1kg kött. Om tillagningen tar mer än 30 till 40 minuter, måste ytterligare briketter läggas till. När vädret är kallt eller blåsigt, kommer du att behöva mer briketter för att nå ideal matlagningens temperatur.

Påfyllning av kol under tillagningen: Var försiktig när du fyller på kol i grillen. Lågor kan blossa upp när kolen kommer i kontakt med frisk luft. Stå på ett säkert avstånd och använd en långskaftad värmebeständig tång att lägga till ytterligare kol/briketter. Grillgallret har en uppvikbar sida på båda sidor så att du lätt kommer åt att fylla på mer grillkol/briketter.

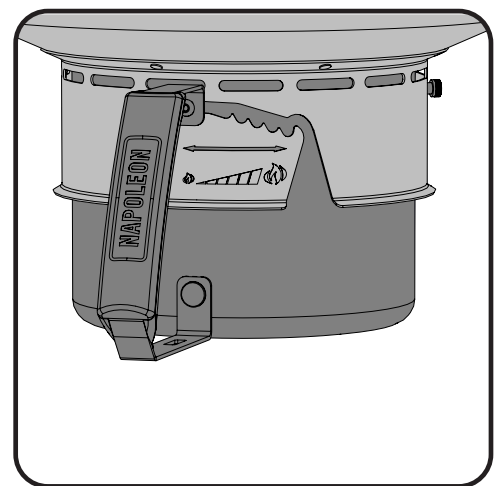


WARNING! Tillsätt aldrig mer tändvätska till het eller varm kolbädd. När kolen väl är tänd behövs ingen mer tändvätska.

Hantering av ventiler: Ventilen i locket på en täckt grill är normalt öppen för att släppa in luft till grillen. Luft höjer förbränningstemperaturen på kolen. Ni kan reglera grillens temperatur genom att skjuta den nedre ventilen vid askbehållaren i sidled till höger eller vänster. Stängs denna igen helt eller delvis kyls kolen ner. Stäng inte den nedre ventilen och ventilen i locket helt om du inte avser att kyla ner grillen eller släcka en uppflammande låga.



Ventilen öppen



Ventilen stängd

SE

Säkerhet efter användning



WARNING! Skydda dig själv och din omgivning från skada genom att noggrant följa dessa säkerhetsföreskrifter.

- Sätt på locket och stäng alla ventiler för att släcka en brand.
- Låt alltid grillen svalna helt innan du hanterar den.
- Lämna aldrig kol och aska i grillen utan uppsikt. Se till kol och aska är helt släckt innan den tas bort.
- Använd en metallskopa eller asksug för att ta bort kvarvarande kol och aska från grillen. Lägg askan i en metallbehållare och täck med vatten. Låt det stå i ytterligare 24 timmar innan det hålls ut.

Instruktioner för underhåll



Vi rekommenderar att ask- droppbehållaren töms efter varje användning.

WARNING! Se till att grillen är kall och allt kol slocknat innan du hanterar den.

WARNING! Använd alltid skyddshandskar och skyddsglasögon när du rengör grillen.

WARNING! Använd inte högtryckstvätt när du rengör grillen det kan skada den.

WARNING! För att undvika risk för brännskador bör underhåll ske endast när grillen är sval. Undvik oskyddad kontakt med heta ytor. Rengör grillen i ett område där rengöringsmedel inte kommer att skada altandäck, gräsmattor, eller uteplatser. Använd inte rengöringsmedel för ugn till att rengöra någon del av denna grill. Barbecuesås och salt kan vara frätande och orsakar snabb försämring av grillens komponenter om de inte rengörs regelbundet.

Grillgaller och varmhållningsgaller: Dessa detaljer rengörs bäst med en mässingsborste under det att grillen värms upp. Stålull kan användas för envisa fläckar.

Rengöring av insidan på grillen: Ta bort grillgallret. Använd en borste med mässingsborst att rensa löst skräp från bottendelen och insidan av locket. Skrapa insidan av skålen med en spatel eller skrapa och använd en stålborste för att ta bort aska. Sopa allt skräp från insidan av grillen ner i ask- droppbehållaren. Om du vill kan du tvätta insidan av grillen med ett mildt rengöringsmedel och vatten. Skölj väl med rent vatten och torka torrt.

WARNING! Fettavlagringar är en brandrisk. Rengör därför ask- droppbehållaren efter varje användning för att undvika att fett byggs upp.

Ask- droppbehållaren: Aska, fett och överflödigt dropp hamnar i ask- droppbehållaren, som finns under grillen. Ta loss den från grillen för att rengöra. Täck aldrig denna med aluminiumfolie, sand eller annat material, eftersom detta kan hindra fett från att rinna ordentligt. Pannan ska skrapas ut med en spatel eller skrapa, och allt skräp borstas ner i en icke brännbar metallbehållare. Tvätta ask- droppbehållaren med ett mildt rengöringsmedel och vatten. Skölj väl med rent vatten och torka torrt.

Rengöring av yttre grilllyta: Använd inte rengöringsmedel med slipmedel eller stålull på några målade, emaljerade eller rostfria delar av din Napoleon-grill. Detta kommer att repa ytan. Yttre grilllytor ska rengöras med varmt tvålvatten medan metallen fortfarande känns varm. Använd rengöringsmedel för rostfritt stål eller utan slipmedel för rengöring av ytor i rostfritt stål. Torka alltid i fibrernas riktning. Med tiden missfärgas delar i rostfritt stål av uppvärmningen, vanligtvis till en gyllene eller brun nyans. Missfärgningen är normal och påverkar inte grillens prestanda. Emaljerade delar måste hanteras med extra försiktighet. Den emaljerade ytan är glasliknande och flisas lätt vid slag. Emalj för förbättring av ytan finns att köpa från din Napoleon-återförsäljare.

Grillgaller i gjutjärn: De grillgaller i gjutjärn som medföljer din nya grill har en överlägsen förmåga att bevara och fördela värmen. Genom att regelbundet smörja gallren tillför du ett skyddande hölje som står emot rost och gör att maten inte fastnar på gallret.

Första gången gallret används: Tvätta grillgallren för hand med mildt diskmedel och vatten för att avlägsna eventuella rester från tillverkningsprocessen (diska aldrig gallren i diskmaskin). Skölj noga med varmt vatten och torka helt med en mjuk trasa. Detta är viktigt för att undvika att fukt kommer in i gjutjärnet.

Smörjning: Använd en mjuk trasa, fördela VEGETABILISKT MATFETT över gallrets hela yta och se till att alla räfflor och hörn är täckta. Använd inte saltade fetter som smör eller margarin. Värm upp grillen i 15 minuter och placera därefter de insmorda grillgallren i grillen. Vrid brännarreglaget till medium med locket stängt. Låt grillgallren värmas i ungefär en halvtimme. Vrid alla brännare till läget "AV" och stäng av gasen vid källan. Låt grillgallren vara kvar tills de har svalnat. Denna procedur ska upprepas flera gånger under säsongen, även om det inte krävs för daglig användning (följ proceduren för daglig användning nedan).

Daglig användning: Täck grillgallrets hela övre yta med VEGETABILISKT MATFETT innan uppvärmning eller rengöring med en borste med mässingsborst. Värm upp grillen och borsta därefter bort oönskade rester med en borste med mässingsborst.

Felsökning

Problem	Möjlig orsak	Lösning
Låg värme / Låga flammor	Dålig förvärmning Otillräckligt med luft För lite kol Locket har öppnats för mycket	Tillåt kolen/briketterna att brinna tills de är täckta av tunn grå aska, (ca 20-25 min.) Öppna ventilerna Fyll på kol/briketter Tillåt maten att tillagas med locket stängt. Varje gång som locket tas bort sjunker temperaturen i grillen. Detta leder till längre tillagningstid.
Ständigt uppflammande lågor/ojämn värme	Dålig förvärmning Fett har byggts upp i askbehållaren	Förvärm grillen med locket stängt i 20-25 min. och sprid sen ut kolen jämnt. Rengör askbehållaren regelbundet. Täck inte insidan av askbehållaren med aluminiumfolie. Se instruktioner för rengöring.
Det ser ut som om "färg" släpper från insidan av grillen	Fett har byggts upp på insidans yta.	Detta är ingen defekt. Ytan på grillen är av emalj och släpper inte. Detta beror på fett som härdat och sedan släpper i "flak". Regelbunden rengöring förhindrar detta. Se instruktioner för rengöring.

Sammanfattning av grillning med kol

Upptändning av grillen

- Innan du använder grillen första gången rekommenderar vi att du bränner av den i 30 min på hög värme med locket av och alla ventiler fullt öppna. Detta kommer att bränna bort ev fett och färgrester från tillverkningen.
- Öppna alla ventiler helt varje gång du tänder upp grillen.
- Rengör ask- droppbehållaren efter varje användning och sätt sedan tillbaka den.
- Grillen kan användas antingen med eller utan värmefördelningsplåten. Värmefördelningsplåten kommer att ge jämnare temperatur och fördelar värmen från mitten av grillen.
- Använd antingen Ultrachef grillkolståndare (ingår ej) och följ instruktionerna i denna manual eller placera upptändningskuddar eller lätt skrynklat tidningspapper på och runt värmefördelningsplåten. Placera grillkol i en konformad hög i mitten av enheten för "direkt tillagning" eller för "indirekt tillagning" i särskilda grillkolskorgar (tillval).
- När kolen är antända, stäng locket och låt kolen bränna tills den är täckt av en ljusgrå aska (ca 20 minuter), ordna kolen med hjälp av tång med värmeståligt handtag enligt den tillagningsmetod ni ska använda.
- Tändvätska kan användas för att antända grillkol, men det är inte den bästa metoden. Det kan vara kladdigt och kan lämna en kemisk smak på maten om vätskan inte helt bränns bort före tillagning. När väl kolen är tända får ni aldrig hälla på mer tändvätska. Förvara flaskan på säkert avstånd (min 7,5m) från grillen vid användning.
- Ytterligare röksmak kan uppnås genom att tillsätta träspån som finns i en mängd olika smaker hos din Napoleon återförsäljare.

Matlagning med din grill

- Vi rekommenderar grillen förvärms med locket stängt i cirka 20 minuter. Kolen är färdiga när de har ett tunt lager grå aska.
- En tumregel är att det går åt ca 50 briketter för att laga till 1 kg kött. Om tillagningen varar mer än 30 - 40 min krävs mer kol. När vädret är kallt eller blåsigt, kommer ni att behöva mer briketter för att nå en idealisk temperatur.
- Var försiktig när ni fyller på kol på grillen. Lågor kan blossa upp när kol kommer i kontakt med luften. Ställ er på ett säkert avstånd och använd en långskaftad tång till att lägga till ytterligare grillkol/briketter.
- Ventilen på locket ska oftast vara öppen vid tillagning i en täckt grill. Luft ökar förbränningstemperaturen i kolen. Ni kan reglera grillens temperatur genom skjuta reglaget på den nedre ventilen åt höger eller vänster.
- Låt maten tillagas med locket stängt. Varje gång locket tas bort, sjunker temperaturen. Detta leder till lägre temperaturer och längre tillagningstider.
- Att stänga ventilerna antingen helt eller delvis kommer att hjälpa att kyla ner kolen. Stängs ventilerna helt släcks elden. Stäng inte ventilerna helt om ni inte vill kyla ner grillen eller släcka uppflammande lågor.
- Grillgallret kan oljas in innan förvärmning för att förhindra att maten fastnar.
- Använd en stektermometer för att kontrollera att maten är färdig.

Rengöring

- Lägg på locket och stäng till alla ventiler för att släcka elden.
- Låt alltid grillen svalna helt innan ni hanterar den.
- Lämna aldrig kol och aska i grillen utan uppsikt. Se till kol och aska är helt släckt innan den tas bort.
- Använd en metall skopa eller en asksug för att ta bort kvarvarande kol och aska från grillen. Placera det i en icke brännbar metallbehållare och täck med vatten. Låt stå i minst ett dygn.
- Använd en borste med mässingsborst att rensa löst skräp från skålen och insidan av locket.
- Tvätta insidan av grillen med ett mildt rengöringsmedel och vatten. Skölj väl med rent vatten och torka torrt.
- Emaljerade detaljer måste hanteras med extra omsorg. Den pålagda emaljen är känslig (likt glas) för slag och stötar.

BEHÅLL DITT KVITTO SOM ETT BEVIS AV INKÖPET FÖR ATT BEKRÄFTA DIN GARANTI.

Beställning av ersättningsdelar

Garantiinformation

MODELL: _____

INKÖPSDATUM: _____

SERIENUMMER: _____

(Registrera information här för enklare referens)

För reservdelar och reklmationsärenden, kontakta ditt inköpsställe.

Innan du kontaktar ditt inköpsställe, besök Napoleons webbplats för mer utförliga instruktioner om rengöring, underhåll, felsökning och byte av delar på www.napoleon.com.

För att behandla ett reklimationsärende behöver vi följande information:

1. Enhetens modell och serienummer.
2. Artikelnummer samt beskrivning.
3. En kortfattad beskrivning av problemet ("trasig" räcker inte).
4. Inköpsbevis (kopia på fakturan eller kvitto).

I vissa fall kan Napoleon begära att delarna returneras för kontroll innan ersättningsdelar tillhandahålls.

Innan ni åberopar garantin var medvetna om att följande inte omfattas:

- Kostnad för frakt, arvode eller exporttullar.
- Arbetskostnad för borttagande och ommontering.
- Kostnader för servicesamtal för att diagnostisera problem.
- Felfärgning av delar i rostfritt stål.
- Felaktigheter orsakade av bristande rengöring och underhåll eller användning av olämpliga rengöringsmedel (ugnsrengöring).

SE



SE

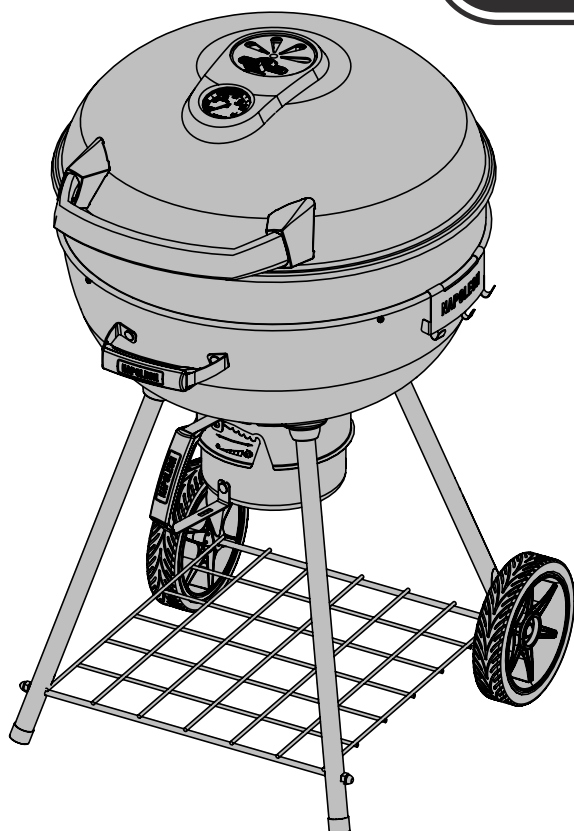
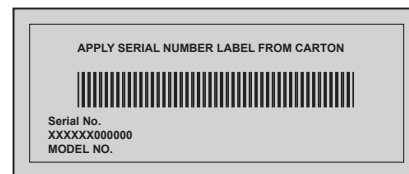


MONTERINGSBRUG OG PLEJEMANUAL

Dette gasapparat må kun bruges udendørs i et område med god ventilation.

OPHOLD DENNE MANUAL TIL FREMTIDIG REFERENCE

UDENDORS KARCOAL GRILL



PRO22K-LEG-2



VAROVÁNÍ

Forsøg ikke at tænde for dette apparat uden at læse instruktionen "LYSNING" i denne vejledning.



FARE

Forbrænding af trækul afgiver kulilte. Forbrænd ikke kul inden i hjem, garager, telte, køretøjer eller lukkede områder.



ADVARSEL! Manglende overholdelse af disse instruktioner nøjagtigt kan resultere i, at en brand forårsager alvorlig personskade eller død.

Wolf Steel Europe BV
De Riemsdijk 22, 4004 LC, Tiel
The Netherlands
eu.info@napoleon.com

Napoleons 10 Års Begrænset Begrænset Garanti



NAPOLEON-produkterne er designet med komponenter og materialer i overlegen kvalitet, og er samlet af uddannede håndværkere, der er stolte af deres arbejde. Produkterne er blevet grundigt inspiceret af en kvalificeret tekniker inden emballering og forsendelse for at sikre, at kunden modtager det kvalitetsprodukt, der forventes af NAPOLEON.

NAPOLEON garanterer, at komponenter i dit nye NAPOLEON produkt vil være fri for defekter i materiale og udførelse fra købsdatoen og i følgende periode:

Porcelæn emalje låg og skål.....	10 års
Luftkontrolsystem.....	5 års fuld dækning + 10 år med 50% rabat
Porcelæn emalje grillriste i støbejern	5 års fuld dækning + 10 år med 50% rabat
Forkromede madlavningsgitter.....	3 års fuld dækning + 10 år med 50% rabat
Alle andre dele	2 års

*Betingelser og begrænsninger

Denne garanti sikre en garantiperiode som angivet i ovenstående tabel for ethvert produkt, der købes via en autoriseret NAPOLEON-forhandler. Derudover giver garantien den oprindelige køber den angivne dækning for eventuelle komponenter, der er udskiftet inden garantiperioden udløber. Kontakt NAPOLEON Danmark eller en autoriseret NAPOLEON-forhandler, for at erstatte komponenter eller grill, der har fejl eller er blevet beskadiget under normal privat brug, som følge af en fabriktionsfejl. Livstid med 50% rabat, som angivet i tabellen ovenover, betyder at komponenterne stilles til rådighed for køberen hvor der trækkes 50% af prisen fra den faste pris for komponenterne i den angivne periode. Denne garanti dækker ikke tilbehør eller bonusartikler.

Betydningen af "normal privat brug" af et produkt: Produktet er installeret i overensstemmelse med installationsmanualen til produktet. Alle lokale samt nationale bygge- og brandkoder er blevet overholdt og har ikke været anvendt som en fælles facilitet eller i en kommerciel sammenhæng.

Fejl eller beskadigelser omfatter ikke: overophedning, udblæsninger forårsaget af miljømæssige forhold som kraftig vind eller utilstrækkelig ventilation, ridser og buler, forringelse af malede og forgyldte overflader, misfarvning forårsaget af varme, slibemidler eller kemiske rengøringsmidler eller UV-eksponering, afskalning af porcelæns emaljerede dele eller skader forårsaget af misbrug, ulykke, hagl, smørrebrande, manglende vedligeholdelse, fjendtlige miljøer som salt eller klor, forurening eller dele installeret fra andre producenter. Skulle forringelse af dele forekomme i graden af manglende ydeevne (rustet igennem eller brændt igennem) inden for garantiperioden, vil der blive udleveret en udskiftningskomponent.

Ifølge dette garantibevis er NAPOLEON Danmarks eneste ansvar udskiftningskomponenten; under ingen omstændigheder vil NAPOLEON være ansvarlig for installation, arbejdskraft eller andre omkostninger og udgifter i forbindelse med geninstalleringen af en berettiget komponent. NAPOLEON står heller ikke til ansvar for påløbende, deraf følgende, eller indirekte skader eller for nogen transportomkostninger, omkostninger til arbejdskraft eller eksport afgifter.

Dette garantibevis er givet til dig som et supplement til de rettigheder, der er givet til dig af den danske lovgivning. Således pålægger dette garantibevis ikke nogen forpligtelser til, at NAPOLEON Danmark skal have delene på lager. Baseret på om delene er tilgængelige, har NAPOLEON Danmark rettigheden til at afvikle alle forpligtelser ved at fremskaffe kunden en forholdsmæssigt beregnet kredit mod købet af et nyt produkt. I overensstemmelse med garantibeviset må NAPOLEON Danmark efter det første år vælge at afvikle alle forpligtelser ved at tilbagebetale kunden engrosprisen på enhver berettiget men defekt vare.

Kunden skal kunne fremvise salgskvitteringen for købet eller en kopi heraf, sammen med et serienummer og et modelnummer, hvis garantibeviset fra NAPOLEON Danmark anvendes.

NAPOLEON Danmark forbeholder sig ret til at få en repræsentant til at inspicere produktet eller delen, før NAPOLEON Danmark hæfter for et garantibevis. Du skal kontakte NAPOLEON Danmarks kundeservice eller en autoriseret NAPOLEON Danmark forhandler før garantibeviset dækker.



www.napoleon.com

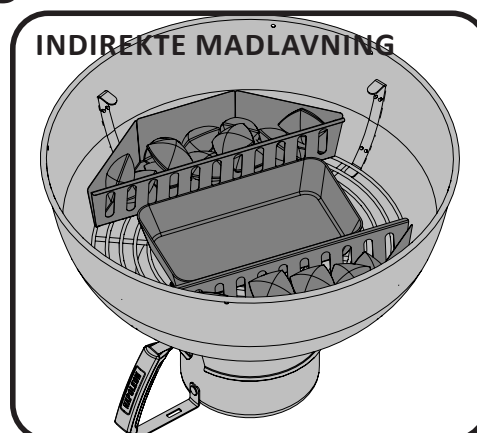


WARNING! Failure to follow these instructions could result in property damage, personal injury or death. Read and follow all warnings and instructions in this manual prior to operating grill.

Sikker brug af gasrill

- Læs hele brugsanvisningen inden at grillen tages i brug.
- Under ingen omstændigheder må der ændres på grillen. Dele påsat af fabrikken, aut. serviceforhandler må ikke ændres af bruger.
- Følg nøje vejledning om optænding af grillen.
- Tænd ikke kul med låg lukket.
- Læn dig ikke over grillen, når du tænder.
- Brug ikke benzin, alkohol eller andre meget flygtige væsker til at antænde kul. Brug KUN kulstartvæske, der er godkendt til belysning af kul. Sørg for, at væsker, der er drænet gennem bunden af grillen, fjernes, før du tænder trækulet.
- Trækulstartervæske bør aldrig tilsættes varme eller endda varme kul.
- Efter brug og før belysning skal trækulstartvæske lukkes og opbevares i sikker afstand væk fra grillen, mindst 7,6 m.
- Voksne og specielt børn skal være opmærksom på faren ved de høje temperaturer. Specielt små børn bør nøje instrueres i nærheden af grillen.
- Grill i brug bør hele tiden være under overvågning.
- Grill som er i brug eller varm bør ikke flyttes.
- Denne grill må ikke installeres i eller på fritidsbiler og / eller både.
- Denne grill må kun benyttes udendørs i et velventileret område, og ikke indendørs i bygning, garage, udestue eller andre lukkede områder.
- Hold altid grillen i sikker afstand til brandbare materialer (1,5 m). Hold ekstra afstand til glasarealer o.lign. Grillen må ikke bruges på brændbare overflader (træ- eller kompositdæk eller verandaer).
- Hold altid ventilationsåbningerne i kabinettet fri og fri for affald.
- Brug ikke grillen under brandbare konstruktioner.
- Sæt ikke grillen i områder med stærk vind. Kraftig vindpåvirkning af grillen vil have indflydelse på effekten af grillen.
- Luk låget i forvarmningsperioden.
- Aske / fedtbakken skal være på plads, når du bruger grillen.
- Rengør aske / fedtbakken regelmæssigt for at undgå ophobning, hvilket kan føre til fedtbrände.
- Brug ikke sidehylder til opbevaring af tændere, tændstikker eller andre brændbare væsker.
- Grillen skal altid være på jævnt underlag.
- Ved opflamning bør man ikke anvende vand, øl eller anden vædske for at kontrollere opflamning.
- For at kontrollere opblussen skal du lukke ventilationsåbningerne på din grill delvist. Luk alle åbninger og låg helt for at slukke kul / ild.
- Brug korrekt grillværktøj med lange, varmebestandige håndtag.
- Brug grillvotter eller varme puder til at beskytte hænderne, mens du laver madlavning eller justerer ventilationshullerne.
- Fjern ikke asken fra grillen, før al trækul er helt udbrændt og helt slukket. Tillad rigelig tid til at køle ned.
- Resterende kul og aske fjernes fra grillen og opbevares i en ikke-brændbar metalbeholder. Lad være i metalbeholder 24 timer før bortskaffelse.
- **Californiens forslag 65:** Forbrænding af trækul skaber biprodukter, hvoraf nogle er på listen som stoffer kendt af staten Californien for at forårsage kræft eller reproduktiv skade. Når du laver mad med kul, skal du altid sørge for tilstrækkelig ventilation til enheden for at minimere udsættelsen for sådanne stoffer.

Optændingsvejledning



Brug af kul

Grill diameter	Tilberedningsmetode	Kul anbefales
22" (56cm)	Direkte Madlavning	50
22" (56cm)	Indirekte Madlavning	25 pr. Side * (tilføj 8 pr. side for hver ekstra times kogetid)

* Trækulanbefalinger er omtrentlige, længere tilberedningstider kræver yderligere kul tilsat. Desuden kræver koldere, blæsende temperaturer yderligere trækul for at nå ideelle madlavningstemperaturer.



ADVARSEL! Åben låget.

ADVARSEL! Placer grillen udendørs på en stabil, jævn og ikke-brændbar overflade. Anvend aldrig grillen på træ eller andre overflader som kan brænde.

ADVARSEL! Læn dig ikke ind over grillen når kullene antændes.

ADVARSEL! Askeopsamleren skal være på plads under optænding og altid under brug.

TILBEREDNING VIA DIREKTE VARME	TILBEREDNING VIA INDIREKTE VARME
1. Åben ventilen helt i låget og i bunden. Løft låget og fjern grillristen	1. Åben ventilen helt i låget og i bunden. Løft låget og fjern grillristen
2. Sørg for at askeopsamleren er rengjort for gammel aske, og sæt den på plads igen.	2. Sørg for at askeopsamleren er rengjort for gammel aske, og sæt den på plads igen.
3. Grillen kan både bruges med og uden varmerefleksor. Varmereflektoren giver mere jævne temperaturer og sørger for, at varmeintensiteten ikke stiger for hurtigt i midten af grillen. Benyt enten en Ultrachef grillstarter (ikke inkluderet) ved at følge den medfølgende manual, eller placer optændingsblokke eller sammenkrøllet avispapir på og omkring varmerefleksoren. Anbring trækullet i en kegleformet bunke i midten af grillen ovenpå aviserne eller optændingsblokkene.	3. Fjern varmerefleksoren og isæt en drypbakke. Anbring kulurve (valgfrit) på hver side af drypbakken. Benyt enten en Ultrachef grillstarter (ikke inkluderet) ved at følge den medfølgende manual, eller placer optændingsblokke eller sammenkrøllet avispapir i kulkurvene. Anbring trækullene i kulkurvene, og placer dem ovenpå avispapiret eller optændingsblokkene.
4. Tænd avispapiret eller optændingsblokkene. Når de er helt tændte, lukkes låget og lad kullene brænde indtil er dækket af et tyndt lag grå aske (ca. 20 minutter)	4. Tænd avispapiret eller optændingsblokkene. Når de er helt tændte lukkes låget og lad kullene brænde indtil er dækket af et tyndt lag grå aske (ca. 20 minutter)
5. Brug en lang varmeresistent tang til at fordele kullene jævnt i hele risten (inklusive midten af varmerefleksoren).	



Tændvæske kan bruges til at antænde trækullene, men det er ikke en anbefalelsesværdig metode. Det kan blive rodet og efterlade en kemisk smag i maden, hvis ikke det bliver brændt ordentligt af inden tilberedningen. Når grillen er tændt, må der aldrig tilføres yderligere tændvæske. Opbevar flasken mindst 7,5 meter væk fra grillen, mens grillen er tændt.

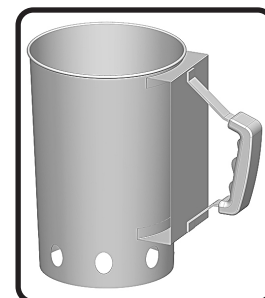


Sikkerhedsregler ved brug af grillstarter

ADVARSEL

- Må kun anvendes udendørs
- Benyt kun grillstarteren hvis den er placeret på en solid og jævn grillrist i en grill, som samtidig står på en fast, plan og ikke-brændbar overflade
- Placer ikke grillstarteren på en brændbar overflade medmindre grillstarteren er helt kold.
- Brug aldrig lighervæske, benzin eller selvantændende trækul i din grillstarter.
- Benyt kun grillstarteren til at antænde trækul beregnet til en kulgrill
- Bær altid beskyttende handsker under håndtering af grillstarteren.
- Hold altid børn og kæledyr på sikker afstand fra grillstarteren
- Benyt ikke grillstarteren i kraftigt blæsevej
- Efterlad ikke en tændt grillstarter uden opsyn
- Læn dig ikke ind over grillstarteren under optænding
- Anvend aldrig grillstarteren til andet end dens tilsigtede formål.
- Benyt ikke grillstarteren til at tilberede mad
- Vær yderst forsigtig når glødende trækul hældes ud af grillstarteren

**TRÆKUL SKORSTEN
TÆNDING**



Anvendelse af grillstarteren

- Vend grillstarteren på hovedet.
- Krøl to hele sider avispapir sammen og læg dem ind i bunden af grillstarteren.
- Vend grillstarten om og placer den i midten af grillristen.
- Tilføj den ønskede mængde trækul, men overfyld ikke grillstarteren.
- Tænd en tændstik og indsæt den i en af de nederste luftindgange for at antænde avispapiret.
- Når det øverste lag af trækullet har fået en let belægning af grå aske, er kullene klar til at blive hældt over (husk at bruge grillhandsker). Hæld forsigtigt de glødende kul direkte på kulristen (direkte varme), eller placer kullene i kulrøvene (indirekte varme)
- Når trækullene er hældt over i grillen, kan en lang varmeresistent tang anvendes til at fordele kullene jævnt i hele risten.

Guide til grillning med trækul

At grille med trækul er den traditionelle metode, som vi alle kender. De glødende kul udsender infrarød energi til maden som bliver tilberedt med meget lille udtørrende effekt. Enhver saft og olie der forlader kødet drypper ned på kullene og fordampes som røg, hvilket giver maden sin lækre grillede smag. Napoleons kulgrill udsender en indkapslende varme, som giver saftigere og mere smagfulde bøffer, burgere og andet kød. Ønsker du tilberedningstider og -tips kan du med fordel læse nedenstående diagram til trækulsgrillning.

Det følgende grilldiagram er kun vejledende. Tilberedningstider påvirkes af forskellige faktorer såsom højde, udetemperatur, vind og hvordan man ønsker maden tilberedt, hvilket afspejles i din tilberedningstid. Brug et stegetermometer for at sikre, at maden er tilstrækkelig tilberedt.

Guide til trækulsgrillning

Mad	Direkte/indirekte varme	Tilberedningstid	Hjælpfulde forslag
Bøf 2.5 cm. tyk	Direkte varme	6-8 min.– Medium	Når du vælger kød til grillen, så gå efter kød med fedtmarmorering. Fedtet gør kødet naturligt mørt, og hjælper med at bevare dets saftighed.
Hamburger 1.2 cm. tyk	Direkte varme	6-8 min.– Medium	Hvis der skal laves flere burgere, kan du med fordel variere tykkelsen på dine burgerbøffer, så folk kan få dem tilberedt efter personlig smag. Du kan tilføje et eksotisk pift, ved at anvende hickory-røgeflis sammen med dine trækul.
Udskåret kylling	Direkte varme ca. 2 minutter på hver side. Indirekte varme de sidste 18-20 minutter	20-25 min.	Skær leddet mellem lårene og ben 3/4 igennem fra den hudløse side, så kødet kan ligge fladt på grillen. Dette gør tilberedningen hurtigere og giver en mere ensartet grillning. For at give kødet et personligt præg kan du tilføje mesquite-røgeflis til dine trækul.
Svinekoteletter	Direkte varme	10-15 min.	Skær overskydende fedt væk inden grillning. Vælg tykke koteletter for at få mørt og saftigt kød.
Spareribs	Direkte varme i 5 min. Indirekte varme til de er færdige	1.5 – 2 timer. Vend ofte	Vælg ribben der er magre og kødfulde. Grill indtil kødet let løsner sig fra benet.
Lammekoteletter	Direkte varme	25-30 min.	Skær overskydende fedt væk inden grillning. Vælg ekstra tykke koteletter for at få mørt og saftigt kød.
Pølser	Direkte varme	4-6 min.	Vælg fortrinsvis tykkere pølser.

Vejledning for tilberedning

Første optænding: Når grillen tændes første gang, kan der opstå lugt og lettere røg. Dette skyldes at der på de enkelte dele i forbindelse med fremstillingen kan være rester fra produktionen som først skal brændes af. Det sker ved at man i forbindelse med første optænding lader grillen varme helt op og disse rester vil så brænde af efter max. 30 min. med låg og bundhullerne helt åbne. Herefter vil denne lugt ikke forekomme mere.

Brug af grillen: Vi anbefaler at forvarme grillen, ved at bruge den med lukket låg i ca. 20 minutter. Trækullene er klar, når de er dækket af et tyndt lag grå aske. Mad med kort tilberedningstid (fisk, grøntsager) kan grilles med åbent låg. Tilberedning med lukket låg sikrer en højere og mere jævn temperatur, som vil reducere madlavningstiden og give en mere ensartet tilberedning. Ved tilberedning af magert kød, såsom kyllingebryst eller magert svinekød, kan grillristen olieres inden forvarmningen for at undgå at kødet hænger fast. Tilberedning af kød med højt fedtindhold kan forårsage opflamning. For at forhindre dette, kan man enten skære fedtet fra eller nedsætte grillens temperatur. Hvis der opstår opflamning, bør maden flyttes væk fra flammerne, og temperaturen nedsættes (mindsk ventilationsåbningen). Lad låget være åbent.

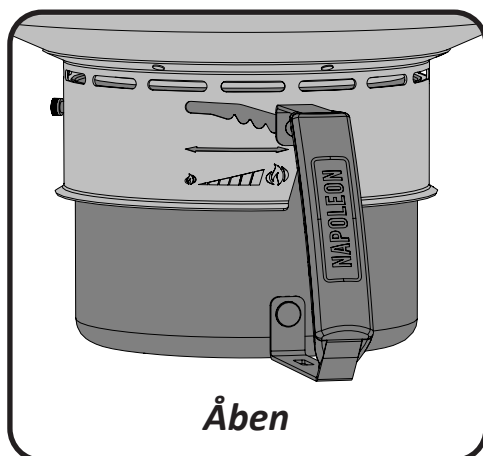
Som en tommelfingerregel bør man regne med at bruge ca. 50 briketter for at tilberede 1 kg. kød. Hvis der skal grilles i mere end 30 til 40 minutter, bør yderligere briketter tilføjes. Når vejret er koldt eller blæsende, vil der være behov for flere briketter, for at opnå den ideelle tilberedningstemperatur.

Tilsætning af kul under tilberedning: Vær forsigtig når trækullene tilføjes til grillen. Flamme kan blusse op når kullene kommer i kontakt med frisk luft. Stå med sikker afstand og brug en lang varmeresistent tang til at tilføje ekstra briketter. Grillristen har en foldeside på begge sider, som let giver adgang til kulristen.

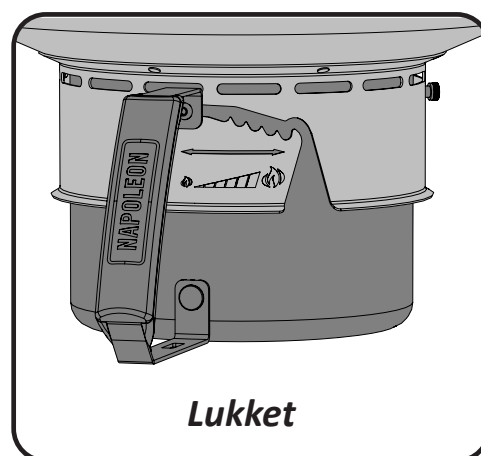


ADVARSEL! Tilsæt aldrig tændvæske til lune eller varme kul. Så snart kullene er antændt er der ikke behov for mere tændvæske.

Betjening af ventilationsåbningerne: Ventilationsåbninger på en overdækket grill er normalvis holdt åbne for at lade luft komme ind i grillen. Luft hæver kullenes forbrændingstemperatur. Du kan regulere grillens temperatur ved at bevæge ventilen mod højre eller venstre. Hel eller delvis lukning af ventilationsåbningerne vil nedkøle kullene. Luk ikke de nedre ventilationsåbninger og lågspjældet helt af medmindre du ønsker at nedkøle eller slukke en flamme.



Åben



Lukket

DK

Sikkerhed efter brug



ADVARSEL! Beskyt dig selv og dine omgivelser mod skade ved nøje at følge disse sikkerhedsforanstaltninger.

- Sæt låget på, og luk alle ventilationsåbninger for at slukke ild.
- Lad altid grillen køle helt af, før du håndterer den.
- Efterlad aldrig kul eller aske i grillen uden opsyn. Sørg for at kul og aske er helt udslukket før det fjernes.
- Anvend en metalspatel eller metalskovl til at fjerne overskydende kul og aske fra grillen. Læg det i en ikke-brændbar metalbeholder og overhæld med vand. Lad det stå i beholderen i yderligere 24 timer, hvorefter det kan smides ud

Vejledning for vedligeholdelse og rengøring

Det anbefales at aske/drypopsamleren tømmes efter hver brug



ADVARSEL! Sørg for at grillen er kold og alt trækul er udslukket, før du kan fjerne grillens dele

ADVARSEL! Bær altid beskyttende handsker og beskyttelsesbriller når du rengør din grill.



ADVARSEL! Brug ikke højtryksrensere til rengøring af grillen eller grillens dele.



ADVARSEL! For at undgå risiko for forbrænding må vedligeholdelse kun foretages når grillen er helt afkølet. Undgå ubeskyttet kontakt med varme overflader. Rengør grillen på et område, hvor rengøringsmiddel ikke kan skade græsplæne, veranda eller terrasse. Brug ikke ovnrens til nogen former for rengøring af grillen. Benyt ikke en selvrensende ovn til at rengøre grillriste eller andre dele af grillen. Grillsauce og salt kan være ætsende og forårsage hurtig forringelse af grillens dele, hvis ikke de rengøres regelmæssigt.



Riste og brødhylde: Disse rengøres bedst med en blød messingbørste når grillen er under forvarmning. Findes der specielt vanskelige pletter kan disse evt. fjernes ved hjælp af ståluld.

Indvendig rengøring af grillen: Fjern grillristen. Anvend en messingbørste til at fjerne løst snavs i grillens bund og i indersiden af låget. Skrab indersiden af grillens bund med en spatel eller skraber og brug en messingbørste til at fjerne aske. Fej løst snavs fra indersiden af grillen ned i den aftagelige aske/drypbeholder. Hvis det ønskes, kan du vaske den indvendige del af grillen med vand og mildt rengøringsmiddel. Skyl godt efter med ren vand og aftør.



ADVARSEL! Ophobet fedt er brandfarligt. Rengør din drypopsamler efter hver brug for at forhindre fedtophobning.

Aske/drypopsamler: Aske, fedt og overskydende dryp ender i din aske/drypopsamler, hvor det samler sig. Aske- og drypopsamleren befinder sig under din kulgrill. For at foretage rengøring skal opsamleren trækkes ud af grillen. Dæk aldrig opsamleren med aluminiumfolie, sand eller andre former for materiale, da det kan forhindre dræning af fedtet. Opsamlerens indhold bør skrubes ud med en spatel eller skraber, og alle rester børstes ned i en ikke-brændbar metalbeholder. Vask aske- og drypopsamleren med vand og mildt rengøringsmiddel. Skyl godt efter med rent vand og aftør.

Rengøring af grillen udvendig: Brug ikke slibende rengøringsmidler eller ståluld på malet, emaljeret eller rustfrie dele på din Napoleon gas grill. Hvis det sker vil det beskadige overfladen. Udvendige grilloverflader skal rengøres med varm sæbeblanding mens overfladen stadig er lidt varm. Overflader af rustfri stål bør rengøres med varm sæbeblanding eller specielt rensmiddel til rustfri stål – uden slibemiddel. Tør i retning af stålets struktur. Ved løbende brug vil rustfri stål ændre karakter og i forbindelse med opvarmning ændres farve til gylden og brunlig. Denne ændring har ingen indflydelse på kvalitet og grillens funktion.. Emaljerede dele må behandles med speciel forsigtighed. Emaljerede dele har en glasagtig overflade, og vil skalle af ved slag. Reparationssæt af emalje kan købes.

Grillriste i støbejern: Grillriste i støbejern som medfølger denne grill giver en jævn og effektiv varmefordeling. Ved løbende brug bliver risten tilført fedtstof og dermed en overflade som er med til at bevare risten, som er nem at benytte uden at madvarer hænger fast.

Inden første gangs brug: Grillriste bør vaskes af med en mild og varm sæbeblanding for at fjerne eventuelle rester fra produktionen. (Vask aldrig i opvaskemaskine) Efterskyl med rigelig varmt vand og tør grundigt efter med en blød klud. Det er vigtigt for at undgå fugt i forbindelse med støbejern (kan skabe rustdannelse)

Løbende vedligeholdelse: Ved brug af blød klud påføres vegetabilsk olie over hele grillristens flader – husk hjørner og ripper. Brug ikke fedtstoffer med saltindhold (smør/margarine). Lad grillen forvarme i 15 min. inden de indsmurte grillriste lægges på plads i grillen. Drej kontrolknapper på medium og lad låget været lukket. Lad grillristene blive gennemvarme i en periode (30 min.) Herefter lukkes for gassen på kontrolknapper og sluk for gassen ved regulator. Lad herefter grillen afkøle. Denne vedligeholdelse bør ske løbende – afpasset af hvor meget og hvor længe man benytter sin grill.

Ved daglig brug : Grillristen påføres først vegetabilsk olie med en blød klud. Herefter forvarmes grillen med lukket låg, hvorefter risten kan rengøres med en blød metalbørste (messing) for at fjerne eventuelle madrester fra risten.

Fejlfinding

Problem	Mulige årsager	Løsning
Lav varme/lav flamme	Dårlig forvarmning Utilstrækkelig luft For lidt trækul Låget bliver åbnet for meget	Lad trækullene brænde, indtil de er dækket af et tyndt lag grå ask (ca. 20-25 min.) Åbn ventilationsåbningerne Fyld mere trækul i kulbakkerne Lad maden grille med låget lukket. Hver gang låget fjernes, falder temperaturen i grillen. Dette medfører lavere temperaturer og længere tilberedningstid.
Overdreven opflamning/ujævn varme	Dårlig forvarmning Fedt og aske har ophobet sig op Aske/ drypopsamleren	Forvarm grillen med låget lukket i 20-25 min. og spred derefter trækullene jævnt. Rengør aske/drypopsamleren regelmæssigt. Dæk ikke aske/drypopsamleren med aluminiumsfolie. Se instruktioner til rengøring.
"Malingen" ser ud til at skalle af inde i låget eller grillen.	Fedt har ophobet sig indvendig i grillen	Dette er ikke en fejl. Grillens overflade er lavet af porcelænsemalje og afskaller ikke. Afskalningen forekommer når hærde fedt tørrer ind til malinglignende splinter som skaller af. Regelmæssig rengøring forhindrer dette. Se rengøringsvejledningen.

Gennemgang af kullgrill

Antænding af grillen

- Inden du tager grillen i brug første gang, anbefaler vi, at du brænder den af i 30 minutter på høj varme med låget af og alle ventiler helt åbne. Dette vil afbrænde alle former for smørelse brugt i fremstillingssprocessen.
- Åben ventilationsåbningerne i låget og i bunden helt op hver gang du tænder op i grillen.
- Rengør askeopsamleren efter hver brug, og genindsæt opsamleren.
- Grillen kan bruges med og uden en varmerefektor. Varmereflektoren giver mere jævne temperaturer og sørger for, at varmeintensiteten ikke stiger for hurtigt i midten af grillen
- Benyt enten en Ultrachef grillstarter (ikke inkluderet) ved at følge den medfølgende manual, eller placer optændingsblokke eller sammenkrøllet avis på og omkring varmerefektoren. Anbring trækullet i en kegleformet bunke i midten af grillen (direkte varme) eller i tilvalgte trækulsbakker (indirekte varme).
- Når trækullene er helt tændte, lukkes låget og lad kullene brænde indtil er dækket af et tyndt lag grå aske (ca. 20 minutter)
- Brug en lang varmeresistent tang til at fordele kullene jævnt i hele risten i overensstemmelse med din tilberedningsmetode.
- Tændvæske kan bruges til at antænde trækullene, men det er ikke en anbefalelsesværdig metode. Det kan blive rodet og efterlade en kemisk smag i maden, hvis ikke det bliver brændt ordentligt af inden tilberedningen. Når grillen er tændt, må der aldrig tilføjes yderligere tændvæske. Opbevar flasken mindst 7,5 meter væk fra grillen, mens grillen er tændt.
- Yderligere rødsmag kan opnås ved at tilføje røgeflis, der findes i en række forskellige varianter ved din Napoleon-forhandler.

Madlavning på grill

- Vi anbefaler at forvarme grillen med lukket låg i ca. 20 minutter. Kullene er klar når de har fået en let belægning af grå aske
- Som en tommelfingerregel bør man regne med at bruge ca. 50 briketter for at tilberede 1 kg. kød. Hvis der skal grilles i mere end 30 til 40 minutter, bør yderligere briketter tilføjes. Når vejret er koldt eller blæsende, vil der være behov for flere briketter, for at opnå den ideelle tilberedningstemperatur.
- Vær forsigtig når trækullene tilføjes til grillen. Flamme kan blusse op når kullene kommer i kontakt med frisk luft. Stå med sikker afstand og brug en lang varmeresistent tang til at tilføje ekstra briketter.
- Ventilationsåbninger på en overdækket grill er normalvis holdt åbne for at lade luft komme ind i grillen. Luft hæver kullenes forbrændingstemperatur. Du kan regulere grillens temperatur ved at bevæge ventilen mod højre eller venstre.
- Lad maden grille med låget lukket. Hver gang låget fjernes, falder temperaturen i grillen. Dette medfører lavere temperaturer og længere tilberedningstid.
- Hel eller delvis lukning af ventilationsåbningerne vil nedkøle kullene. Luk ikke de nedre ventilationsåbninger og lågspjældet helt af medmindre du ønsker at nedkøle eller slukke en flamme.
- Grillristen kan olieres inden forvarmningen for at undgå, at kødet hænger fast.
- Brug et stegetermometer for at sikre, at maden er tilstrækkelig tilberedt.

Rengøring af grillen

- Sæt låget på grillen og luk alle ventilationsåbninger for at slukke ilden.
- Sørg altid for at grillen er kold, før du håndterer den.
- Efterlad aldrig kul eller aske i grillen uden opsyn. Sørg for at kul og aske er helt udslukket før det fjernes.
- Anvend en metalspatel eller metalskovel til at fjerne overskydende kul og aske fra grillen. Læg det i en ikke-brændbar metalbeholder og overhæld med vand. Lad det stå i beholderen i yderligere 24 timer, hvorefter det kan smides ud.
- Anvend en messingbørste til at fjerne løst snavs i grillens bund og i indersiden af låget
- Vask den indvendige del af grillen med vand og mildt rengøringsmiddel. Skyl godt efter med ren vand og aftør.
- Porcelænsemaljerede dele skal håndteres med ekstra forsigtighed. Den pålagte emalje minder om glas, og er følsom over for stød, som kan resultere i splintring. Kontakt din Napoleon-forhandler vedrørende reparationsmateriale til beskadiget emalje.

OPBEVAR KØBSKVITTERING SOM BEVIS FOR GYLDIG GARANTIPERIODE**Bestilling af reservedele****Garantioplysning**

MODEL: _____

KØBSDATO: _____

SERIENUMMER: _____

(Vejledning ved bestilling)

Kontakt forhandler direkte ved bestilling af reservedel samt garantispørgsmål. Ved tilfælde med reklamationer eller ønske om reservedele bedes man kontakte den NAPOLEON forhandler hvor grillen er købt - eller nærmeste forhandler.

Inden man kontakter sin forhandler for kundeløsninger på grund af en fejl, bør man informere sig i vejledning omkring rengøring, vedligeholdelse og fejlfinding.

For at kunne behandle en reklamation skal følgende være oplyst:

1. Model og serienummer for grillen
2. Del nr. og beskrivelse af delen som ønskes.
3. En kortfattet beskrivelse af problemet ("brækket" er ikke tilstrækkeligt)
4. Købskvittering (kopi)

For at kunne behandle reklamationen vil det i nogle tilfælde være nødvendigt at indlever den defekte del – den må derfor ikke smides væk inden reklamationen er færdigbehandlet. Ved indlevering af defekt del skal ovenstående oplysninger medfølge.

Det bedes bemærke at følgende omkostninger ikke dækkes i tilfælde af garanti:

- Udgift til fragt ved defekte dele
- Arbejds løn ved ombytning af dele.
- Udgifter ved kontakt til forhandler ved reklamation.
- Ændring af farve på rustfri stål dele
- Defekt på dele som skyldes manglende rengøring og vedligeholdelse, eller brug af forkerte rengøringsmidler (ovn rens m.v.)

DK



CAUTION! During unpacking and assembly we recommended you wear work gloves and safety glasses for your protection. Although we make every effort to make the assembly process as problem free and safe as possible, it is characteristic of fabricated steel parts that the edges and corners might be sharp and could cause cuts if handled incorrectly.

Getting Started

1. Remove all cart panels, hardware, and grill head from carton. Raise lid and remove any components packed inside. Use the parts list to ensure all necessary parts are included.
2. Do not destroy packaging until the grill has been fully assembled and operates to your satisfaction.
3. Assemble the grill where it is to be used, lay down cardboard or a towel to protect parts from being lost or damaged while assembling.
4. **Most stainless steel parts are supplied with a protective plastic coating that must be removed prior to using the grill. The protective coating has been removed from some of the parts during the manufacturing process and may have left behind a residue that can be perceived as scratches or blemishes. To remove the residue, vigorously wipe the stainless steel in the same direction as the grain.**
5. Follow all instructions in the order that they are laid out in this manual.
6. Two people are required to lift the grill head onto the assembled cart.



If you have any questions about assembly or grill operation, or if there are damaged or missing parts please call our Customer Solutions Department at 1-866-820-8686 between 9 AM and 5 PM (Eastern Standard Time).



ATTENTION! Lors du déballage et de l'assemblage, nous vous conseillons de porter des gants de travail et des lunettes de sécurité pour votre protection. Malgré tous nos efforts pour assurer que l'assemblage soit aussi sécuritaire et sans problème que possible, il se peut que les bords et les coins des pièces usinées en acier soient coupants et qu'ils causent des coupures si les pièces ne sont pas manipulées correctement.

Pour commencer

1. Retirez tous les panneaux, le matériel et le gril du carton d'emballage. Soulevez le couvercle et enlevez les composants qui se trouvent à l'intérieur. Servez-vous de la liste de pièces pour vous assurer que toutes les pièces nécessaires sont incluses.
2. Ne détruisez pas l'emballage jusqu'à ce que le gril ait été complètement assemblé et qu'il fonctionne à votre satisfaction.
3. Assemblez le gril là où il sera utilisé et posez un carton ou une serviette afin d'éviter de perdre ou d'endommager les pièces lors de l'assemblage.
4. **La plupart des pièces en acier inoxydable comportent un revêtement de protection en plastique qui doit être retiré avant d'utiliser le gril. Le revêtement de protection a déjà été retiré de certaines pièces lors du processus de fabrication, ce qui a pu laisser un résidu pouvant être perçu comme des égratignures ou des marques. Pour enlever ce résidu, frottez l'acier inoxydable vigoureusement dans le sens du grain.**
5. Suivez toutes les instructions dans l'ordre donné dans ce manuel.
6. Deux personnes sont requises pour soulever la cuve du gril et la placer sur le chariot assemblé.



Si vous avez des questions à propos de l'assemblage ou du fonctionnement du gril, ou si des pièces sont manquantes ou endommagées, veuillez appeler notre Centre Solution Client au 1 866 820-8686 entre 9 h et 17 h (heure normale de l'Est).



WAARSCHUWING! Het is aanbevolen om tijdens het uitpakken en monteren voor uw veiligheid werkhandschoenen aan te trekken en een veiligheidsbril op te zetten. Hoewel we er alles aan doen om het montage proces zo goed en zo veilig mogelijk te maken, is het kenmerkend voor bewerkte stalen onderdelen dat de uiteinden en hoeken scherp kunnen zijn en verwondingen kunnen veroorzaken als ze tijdens de montage niet op de juiste manier worden behandeld.

Aan De Slag

1. Haal alle onderdelen van het onderstel, de behuizing en de grill uit het karton. Til het deksel op en haal alle verpakte onderdelen uit de binnenkant. Gebruik de onderdelenlijst om ervoor te zorgen dat alle noodzakelijke onderdelen aanwezig zijn.
2. Vernietig het verpakkingsmateriaal niet totdat de grill volledig gemonteerd is en naar tevredenheid werkt.
3. Monteer de grill op de plaats waar die gebruikt gaat worden. Leg het karton of een handdoek op de grond om de onderdelen te beschermen tegen verlies of beschadiging tijdens montage.
4. **De meeste roestvrij stalen onderdelen worden geleverd met een beschermende folie welke verwijderd moet worden tijdens montage. Bij sommige onderdelen is deze folie reeds tijdens het productie proces verwijderd, het kan zijn dat er hierbij lijmresten achtergebleven zijn, welke op krassen of beschadigingen kunnen lijken. Deze lijmresten kunt u verwijderen door het roestvrij staal in de borstelrichting op te wrijven, eventueel kunt u hierbij ook gebruikt maken van aceton.**
5. Volg alle instructies in de volgorde zoals die is uitgelegd in deze handleiding.
6. Er zijn twee mensen voor nodig om de grillbak op het gemonteerde onderstel te tillen.



Als u vragen heeft over de montage of werking van de grill, of als er beschadigingen of ontbrekende onderdelen zijn, bel dan gerust onze klantenservice op 1-866-820-8686 tussen 9 AM en 5 PM Eastern Standard Time



ACHTUNG! Wir empfehlen beim Entpacken des Geräts und bei der Montage Arbeitshandschuhe und eine Schutzbrille zu tragen. Wir unternehmen alle Anstrengungen, den Montageprozess so problemlos und sicher wie möglich zu machen, doch bearbeitete Stahlteile haben üblicherweise scharfe Kanten und Ecken, die zu Schnittverletzungen führen können, wenn sie während der Montage unsachgemäß gehandhabt werden.

Erste Schritte

1. Alle Paneele für den Wagen, Hardware und Grilleinsatz aus dem Karton entnehmen. Haube öffnen und alle darin verpackten Komponenten entnehmen. Anhand der Stückliste sicherstellen, dass alle nötigen Teile vorhanden sind.
2. Zerstören Sie die Verpackung nicht, bevor der Grill vollständig montiert ist und zu Ihrer Zufriedenheit funktioniert.
3. Den Grill an der Stelle montieren, wo er verwendet werden soll. Legen Sie Pappe oder ein Handtuch zurecht, um während der Montage keine Teile zu verlegen oder zu beschädigen.
4. **Die meisten Edelstahl-Komponenten sind mit einer Plastik-Schutzfolie überzogen, die vor dem ersten Gebrauch des Grills entfernt werden muss. An manchen Stellen wurde die Schutzfolie bereits während des Produktionsprozesses entfernt und kann Rückstände hinterlassen haben, die wie Fehler oder Kratzer im Material aussehen. Um diese Rückstände zu entfernen, wischen Sie einfach mit sanftem Druck in Richtung der Maserung des Materials.**
5. Folgen Sie allen Anweisungen in diesem Handbuch in der angegebenen Reihenfolge.
6. Zwei Personen sind erforderlich, um den Grillaufsatz auf den montierten Wagen zu setzen.



Bei Fragen zur Montage oder zum Betrieb des Grills, oder bei beschädigten oder fehlenden Teilen, wenden Sie sich an unseren Kundendienst unter +1-866-820-8686 zwischen 9 Uhr und 15 Uhr Eastern Standard Time.



PRECAUCIÓN! Le recomendamos que, para su protección, durante el desempaquetado y el montaje del dispositivo lleve guantes de protección y gafas de seguridad. Aunque hacemos todo lo que está en nuestra mano para que el proceso de montaje no resulte problemático y sea lo más seguro posible, es característico de las piezas fabricadas de acero que sus extremos y esquinas estén afiladas, por lo que pueden producir cortes si no se manejan correctamente.

Antes de empezar

1. Retire todos los paneles del carro, y el cuerpo de la barbacoa de la caja. Levante la tapa y retire todos los componentes empaquetados por separado que encuentre dentro. Utilice el listado de piezas para asegurarse de que tiene todas las piezas necesarias.
2. No rompa el embalaje hasta que haya podido montar la barbacoa completamente y esté seguro de que funciona correctamente.
3. Monte la barbacoa en el lugar que vaya a usarla, ponga en el suelo un trozo de cartón o una toalla para proteger las piezas que toquen el suelo y evitar que se rallen o estropeen, se pierdan o rompan durante el montaje.
4. **La mayoría de piezas de acero inoxidable están protegidas con una capa de plástico que se deberá retirar una vez montada y antes de su uso. El plástico protector se ha retirado de alguna de las piezas durante el proceso de fabricación y puede que haya dejado un residuo que a simple vista parezca un arañazo o mancha. Para retirar estos restos, limpie con un trapo completamente limpio y de tejido suave el acero inoxidable siempre siguiendo la misma dirección que la veta y sin usar abrasivos o productos limpiadores químicos.**
5. Siga todas las instrucciones en el mismo orden que indica el manual.
6. Hacen falta dos personas para poder levantar el cuerpo de la barbacoa y montarlo al carro.



Si tiene alguna pregunta sobre el montaje o funcionamiento de la barbacoa, o si está dañada o falta piezas, por favor, contacte con el Departamento de Atención al cliente en el +1 866-820-8686 (Canadá) entre las 9 y las 17h (horario de Canadá) o diríjase a su distribuidor más cercano.



VAR FÖRSIKTIG! Under uppäckning och montering rekommenderar vi att du använder arbetshandskar och säkerhetsglasögon som skydd. Även om vi anstränger oss för att göra monteringen så problemfri och säker som möjligt, kännetecknas den av färdiga ståldelar som kan ha skarpa kanter och hörn som kan orsaka skärskador om de inte hanteras på rätt sätt.

Komma igång

1. Avlägsna alla paneler, hårdvara och grillhuvud från kartongen. Lyft på locket och ta bort eventuella delar som finns paketerade inuti. Använd detaljlistan för att säkerställa att alla nödvändiga delar medföljer.
2. Förstör inte förpackningen förrän gasolgrillen har monterats i sin helhet och fungerar till din belåtenhet.
3. Montera grillen där den ska användas. Lägg ner kartong eller en handduk för att förhindra att delar försvinner eller skadas under monteringen.
4. **De flesta delarna av rostfritt stål levereras med en skyddsplast som måste tas bort innan du använder grillen. Den skyddande plasten har i vissa fall tagits bort vid tillverkningsprocessen och kan då ha lämnat efter sig en rest som kan uppfattas som repor eller skador. För att ta bort denna rest, torka kraftfullt av delen i samma riktning som stålet blivit borstat.**
5. Följ alla instruktioner i den ordning som de visas i denna handbok.
6. Två personer krävs för att lyfta på grillhuvudet på den monterade grillvagnen.



Om du har några frågor om grillens montering eller drift, eller om det fanns några skadade eller saknade delar, ring vår kundtjänst avdelning på 1-866-820-8686 kl. 9.00-17.00 (EST).



PAS PÅ! For din egen sikkerhed anbefaler vi at du bærer arbejdshandsker og beskyttelsesbriller, når du pakker grillen ud og samler den. På trods af, at vi gør en indsats for at lave en nem og problemfri samle-proces, så er en karakteristika for de fabriksforarbejdede dele i stål, at de kan have skarpe kanter og hjørner, hvilke kan skære, hvis de ikke håndteres korrekt.

Sådan starter man!

1. Fjern alle grilldele, tilbehør og selve grilldelen fra kartonen. Åben låget på grillen og tag de dele ud som er pakket inde i selve grillen. Ved hjælp af oversigten kan man konstatere at alle dele er til stede.
2. Smid ikke emballage væk inden grillen er helt samlet og den fungerer tilfredsstillende.
3. Grillen bør samles der hvor den skal bruges, og brug emballage eller klæde som underlag for at forhindre ridser samt at dele bliver væk under samling af grillen.
4. **De fleste rustfrie dele er forsynet med en beskyttelsesfilm fra fabrikken, og som skal fjernes inden grillen tages i brug. Den beskyttende folie er fjernet fra nogle af delene under fremstillingen af grillen, og kan have efterladt en rest som kan opfattes som ridser eller pletter. Disse rester kan fjernes ved at tørre grundigt efter med en blød klud – evt. tilsat lidt varm sæbeblanding.**
5. Følg nøje instruktionen og saml grillen i den rækkefølge som beskrevet.
6. Det kræver to personer at løfte selve grilldelen på plads under monteringen.



Hvis der er spørgsmål til samling af grillen, eller man mener der mangler dele/beskadiget dele bør man kontakte sin forhandler omgående.



x6

N450-0048



Ensure slot in the base engages the clip in the air vent as illustrated.

Assurez-vous dans la base engage clip dans évent, comme illustré.

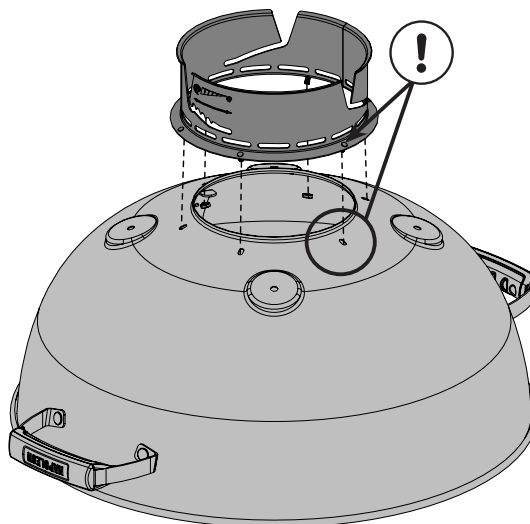
Maak zeker dat de clip in de luchtwind juist is gekoppeld met de basis zoals afgebeeld.

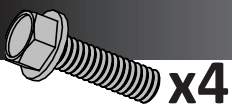
Sicherstellen, dass die wie abgebildet eingerastet ist.

Asegúrese de que la ranura en la base activa el clip en el conducto de ventilación, como lo indica la imagen.

Se till att urtagen i grillens botten passar i clipsen på ventildelen enligt bild

Sørg for, at basen er i indgreb med klemmen i luftudluftningen som på billedet.





x4



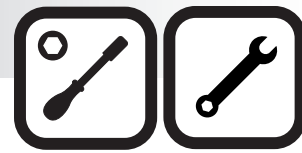
x4



x4

N570-0087 (1/4-20 X 7/8") Z735-0006

N655-0129P



3/8"(10mm)



For ease of installation start all screws before tightening completely. Completely tighten screws after bottom shelf and wheels have been attached.

Pour faciliter l'installation, commencez à visser chaque vis avant de les serrer complètement. Completely tighten screws after bottom shelf and wheels have been attached.

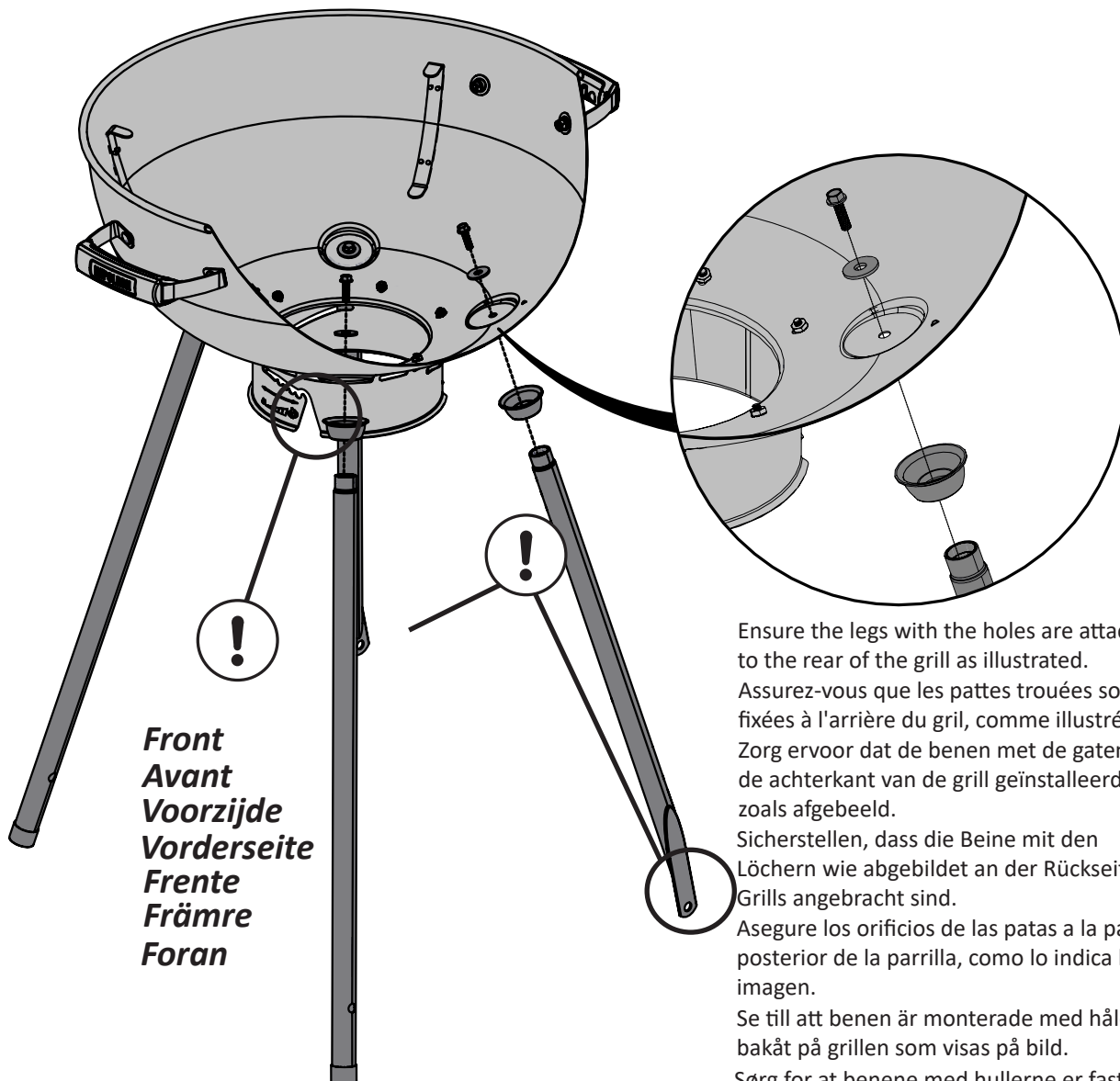
Voor installatiegemak start alle schroeven voor deze volledig in te schroeven. Schroef helemaal vast nadat de onderste plank en de wielen zijn bevestigd.

Alle Schrauben zunächst nur lose anziehen und erst dann fest anziehen, wenn alle Teile richtig installiert sind. Nach Montage des unteren Regalbodens und der Räder alle Schrauben fest anziehen.

Para facilitar la instalación, primero coloque todos los tornillos y luego ajústelos. Ajuste completamente los tornillos luego de colocar el estante inferior y las ruedas.

För att underlätta installation, sätt dit alla skruvar innan du drar åt dom. Dra åt skruvarna när bottensektionen är på plats och hjulen är ditsatta.

For at lette installation kan du først montere alle skruer, før de strammes helt. Stram skruerne når den nederste sektion er på plads, og hjulene er monteret.



**Front
Avant
Voorzijde
Vorderseite
Frente
Främre
Foran**

Ensure the legs with the holes are attached to the rear of the grill as illustrated.

Assurez-vous que les pattes trouées soient fixées à l'arrière du gril, comme illustré.

Zorg ervoor dat de benen met de gaten aan de achterkant van de grill geïnstalleerd zijn, zoals afgebeeld.

Sicherstellen, dass die Beine mit den Löchern wie abgebildet an der Rückseite des Grills angebracht sind.

Asegure los orificios de las patas a la parte posterior de la parrilla, como lo indica la imagen.

Se till att benen är monterade med hålen bakåt på grillen som visas på bild.

Sørg for at benene med hullerne er fastgjort bagpå grillen som illustreret.



Insert the bottom shelf into the holes in the legs ensuring the crossbars on either end of the shelf are to the bottom as illustrated.

Insérez la tablette inférieure dans les trous des pattes en s'assurant que les barres transversales à chaque extrémité de la tablette soient orientées vers le bas, comme illustré.

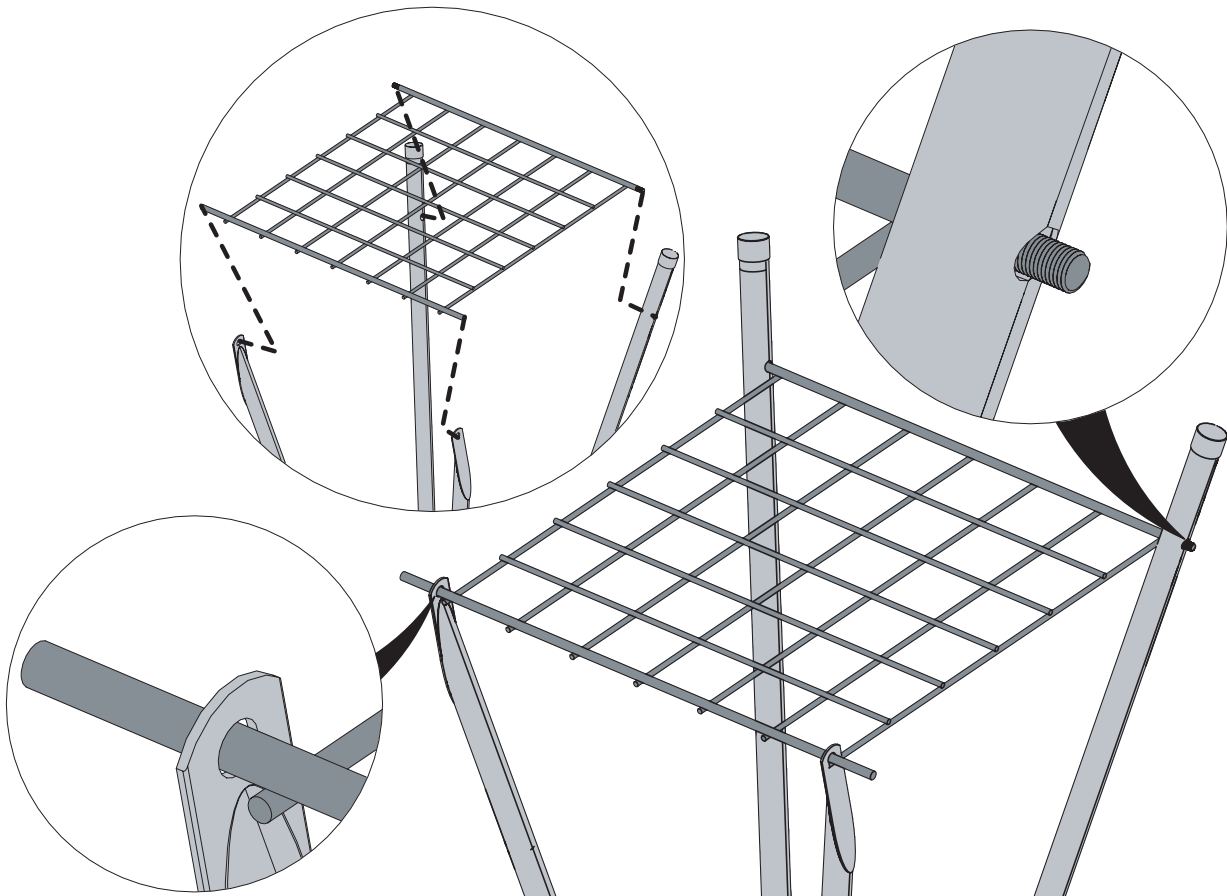
Steek de onderste plank in de gaten in de benen en maak zeker dat de dwarsbanken aan weerszijden van de plank aan de onderkant zijn, zoals afgebeeld.

Den untersten Regalboden wie abgebildet in die Löcher an den Beinen einführen. Dabei sicherstellen, dass die Kreuzverstärkungen an den beiden Seiten des Regals wie abgebildet nach unten zeigen.

Coloque el estante inferior en los orificios de las patas y asegure las barras transversales de ambos extremos del estante a la parte inferior, como lo indica la imagen.

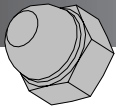
Sätt dit trådhyllan i hålen i benen enligt bild, se till att tapparna bottnar i hålen.

Indsæt den nederste hylde i benenes huller, og sørg for at tværstængerne i begge ender peger nedad som vist på billedet.





x2



x2

N450-0043 (8mm)

N450-0035 (M8)



1/2" (13mm)



If necessary the axle cap can be tapped with a rubber mallet.

Si nécessaire, le essieu peut être enfoncé avec un maillet en caoutchouc.

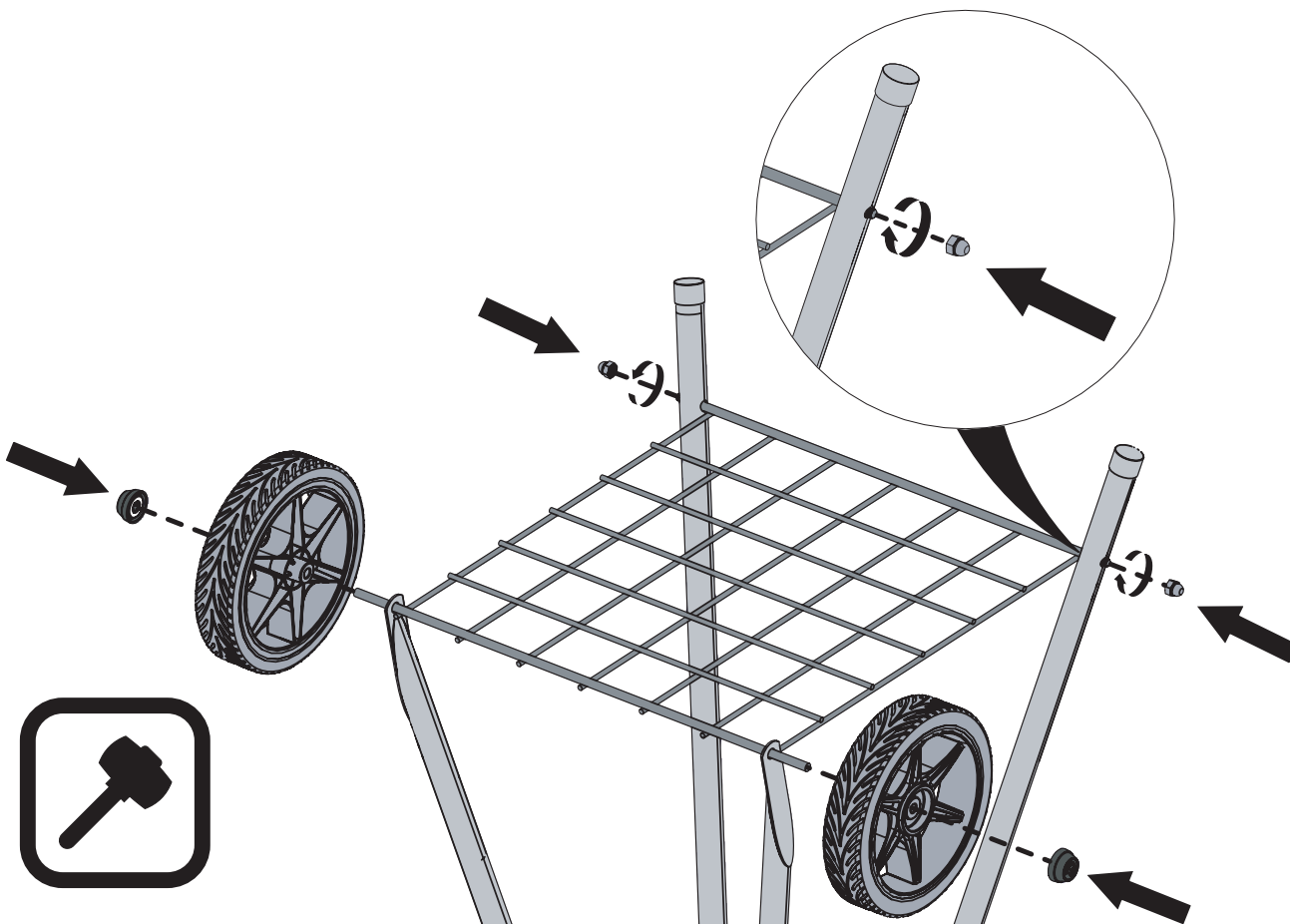
Het asmoer kan indien nodig met een rubberen hamer worden ingeslagen.

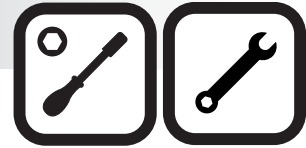
Falls erforderlich, kann die Achsemutter mit einem gummihammer nach unten geklopft werden.

Si es necesario, el casquillo del eje se puede golpear con un mazo de caucho.

Vid behov kan en gummiklubba användas försiktigt.

En gummihammer kan eventuelt benyttes til at fastgøre akselmøtrikken

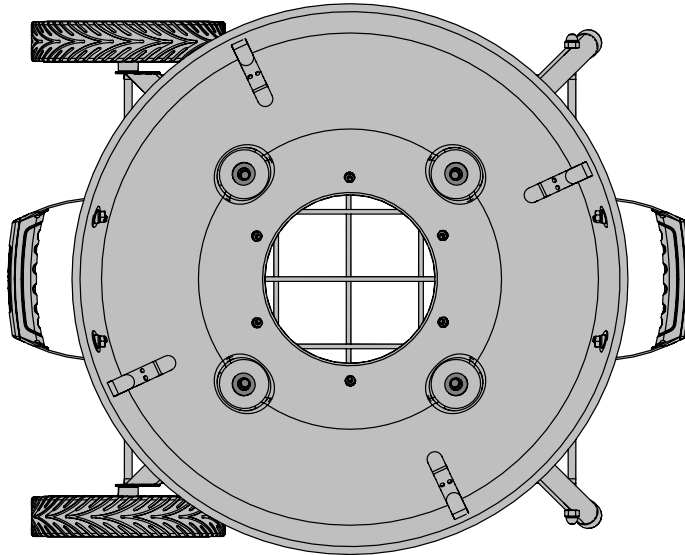




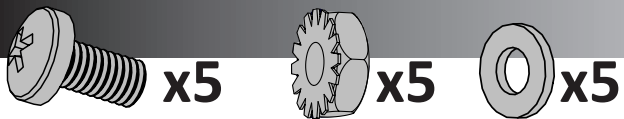
3/8" (10mm)



Completely tighten screws, securing legs to base.
 Serrez complètement les vis pour fixer les pattes à la base.
 Schroef helemaal vast, bevestig de poten aan de basis.
 Alle Schrauben fest anziehen, um die Beine sicher am Grill zu befestigen.
 Ajuste completamente los tornillos para asegurar las patas a la base.
 Dra åt skruvarna för infästningen av benen mot grillbotten.
 Stram skruerne helt for at fastgøre benene på grillen.



WARNING! Do not over tighten leg screws.
ATTENTION! Ne pas trop serrer les vis jambe.
WAARSCHUWING! Niet te vast schroeven been.
WARNUNG! Nicht zu fest anziehen Bein befestigen.
ADVERTENCIA! No apriete demasiado los tornillos de la pierna.
VARNING! Dra inte åt skruvarna till benen för hårt.
ADVASEL! Stram ikke benskrue for meget.

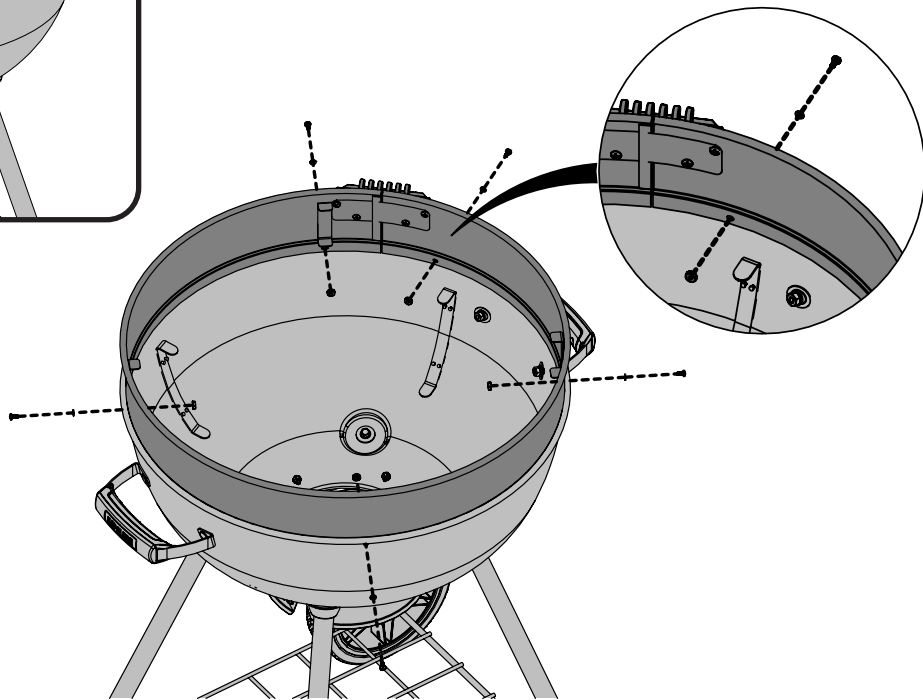
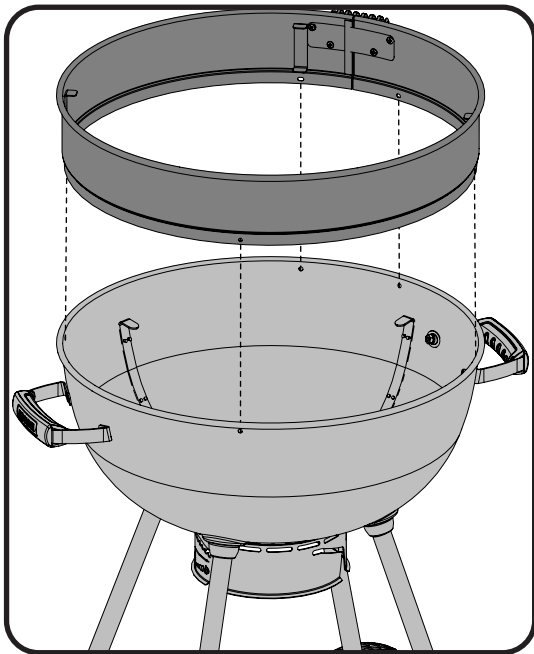
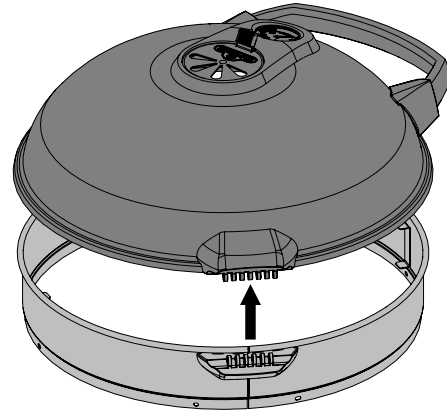
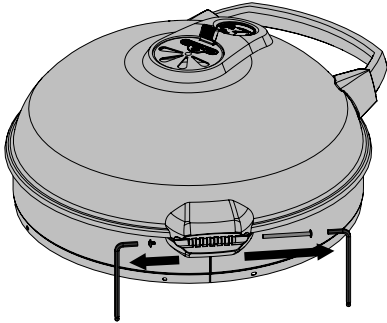


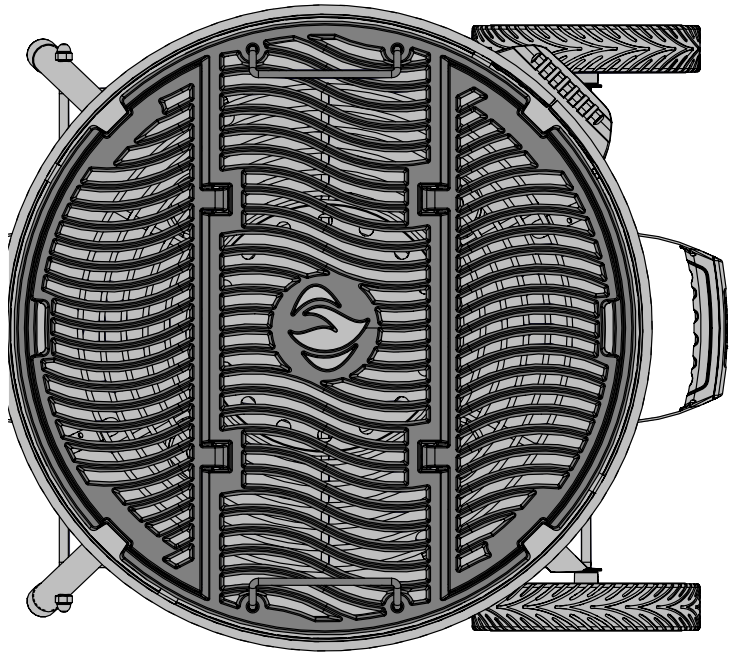
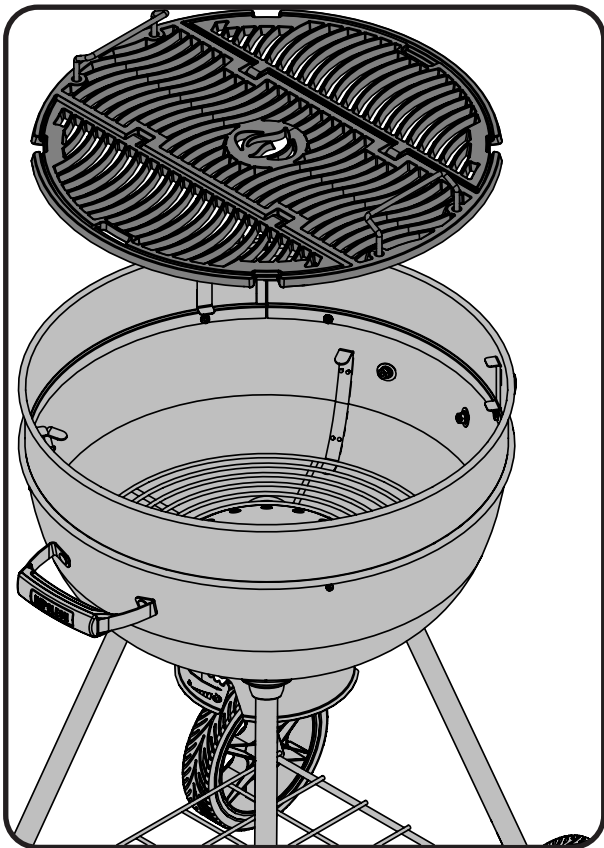
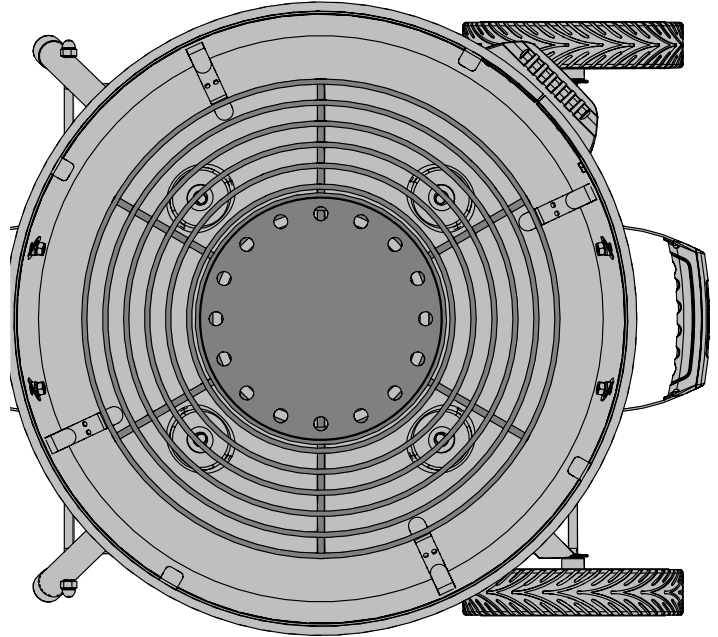
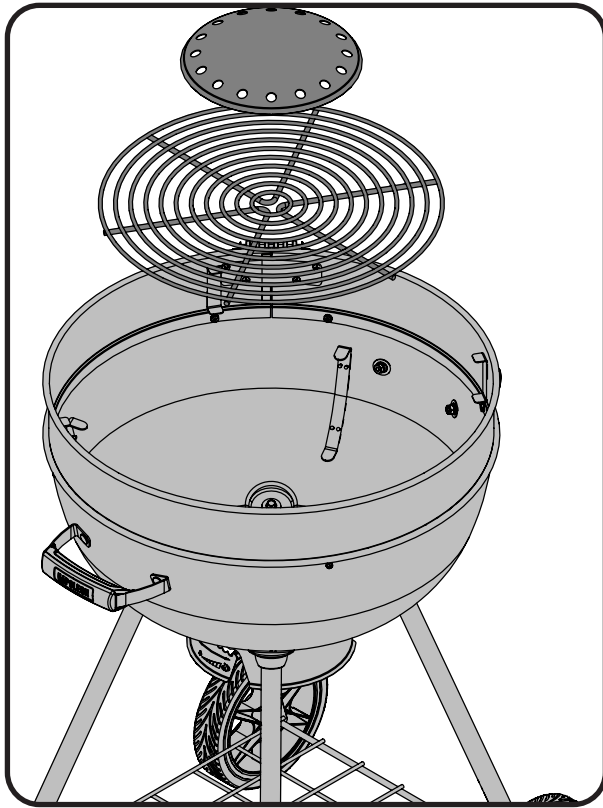
N570-0093 (M4 x 8mm) N450-0032 (M4) Z735-0008 (8 mm)



9/32" (7 mm)

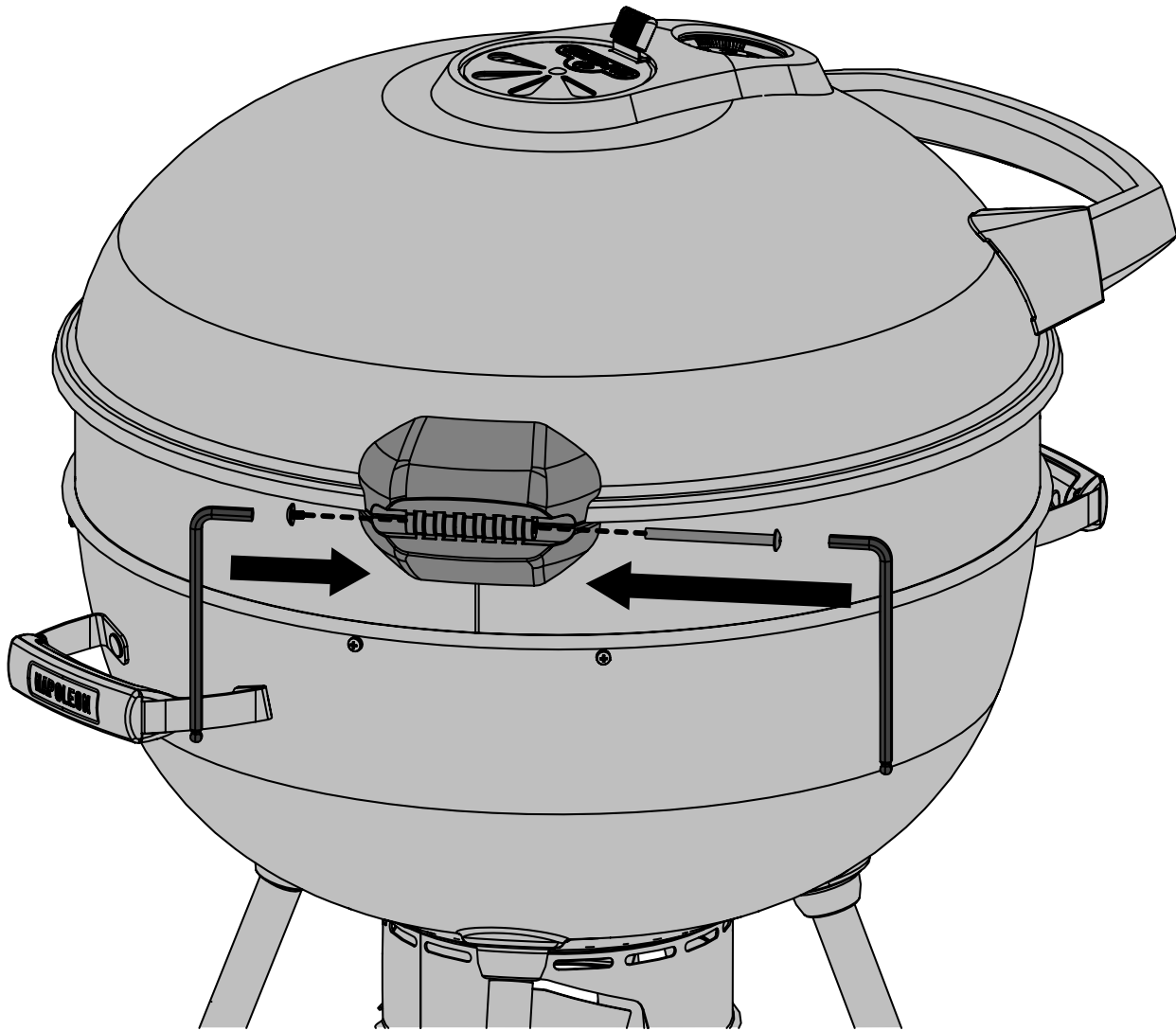
(4mm)







(4mm)





Ensure ash pan engages in base as illustrated.
Assurez-vous que le récipient à cendres est fixé à la base, comme illustré.

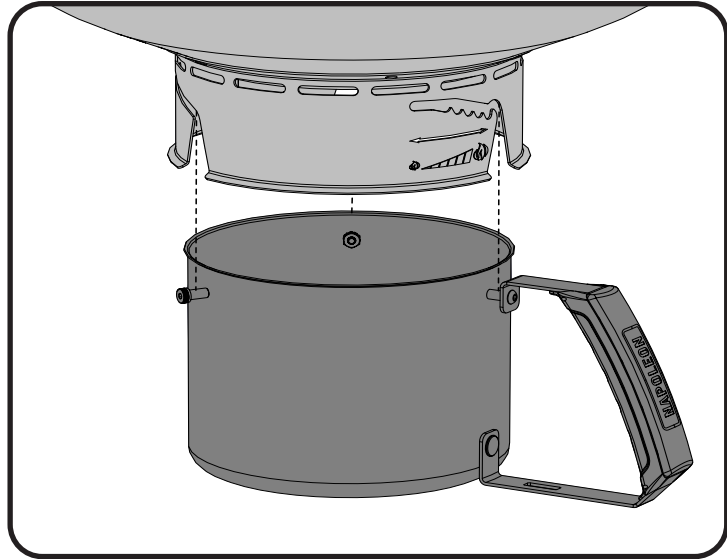
Bevestig de aspan zoals afgebeeld.

Aschpfanne mit Korpus verbinden wie abgebildet.

Asegúrese de que el recipiente de cenizas encaje en la base como se ve en la imagen.

Säkerställ att askhållaren passar enligt bilden.

Sørg for at aske/drypopsamleren passer i grillen som vist på billedet



Ensure slot in ash pan engages clip in base as illustrated.
Assurez que le cendrier est mise en place comme illustrer.

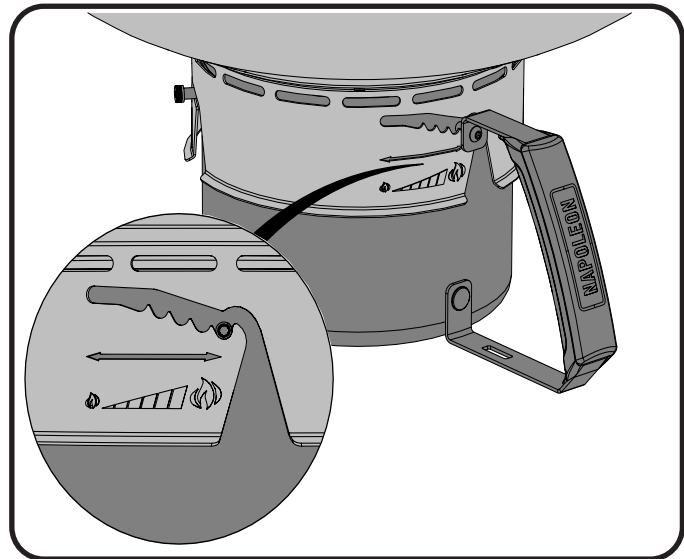
Hang de aspan in de houder zoals afgebeeld.

Aschpfanne wie abgebildet mit Luftring verbinden.

Asegúrese de que la ranura del recipiente de cenizas enganche la presilla en la base como se ve en la imagen.

Säkerställ att nippel på askhållare passar enligt bilden.

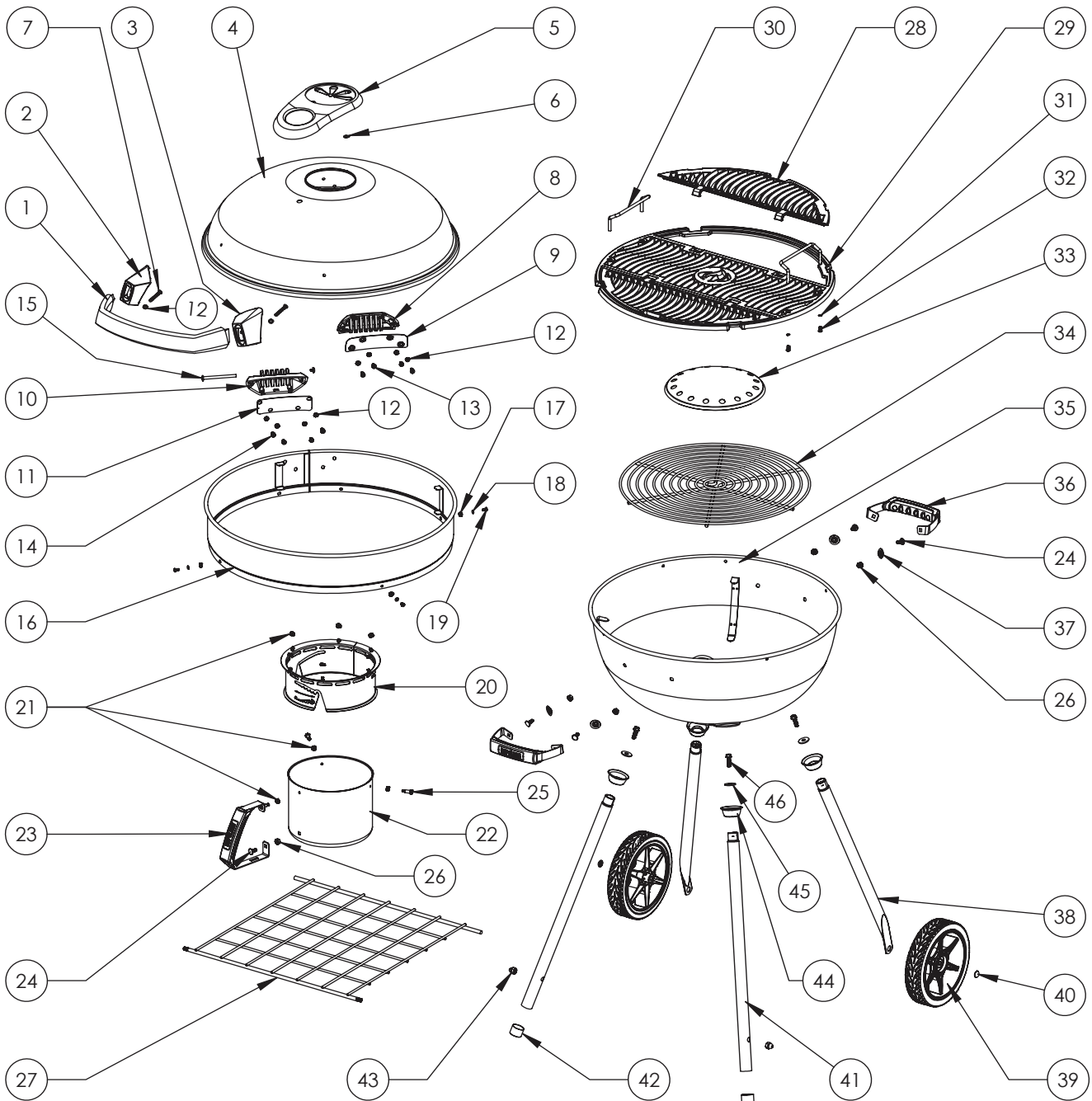
Sørg for at drypopsamlerens ophæng passer i holderen som på billedet



Parts List

Item	Part #	Description	
1	N325-0099	lid handle / poignée de couvercle	x
2	N655-0141	support lid handle left / support de la poignée du couvercle gauche	x
3	N655-0142	support lid handle right / support de la poignée du couvercle droit	x
4	N335-0057K	lid / couvercle	x
5	N685-0011	temperature gauge / jauge de température	x
6	W450-0005	logo spring clips / pinces à ressort du logo	x
7	Z570-0029	screw 10-24 x 35 mm / vis 10-24 x 35 mm	x
8	N080-0271	hinge upper / charnière supérieure	x
9	N655-0143	stiffener plate hinge / plaque de charnière	x
10	N080-0270	hinge lower / charnière inférieure	x
11	N655-0155	stiffener plate hinge / plaque de charnière	x
12	N735-0010	lockwasher / rondelle à ressort	x
13	N570-0042	screw 10-24 x 3/8" / vis 10-24 x 3/8"	x
14	Z570-0033	screw 10-24 x 12mm / vis 10-24 x 12mm	x
15	N570-0098	screw, hinge / vis charnière	x
16	N010-0692	middle ring assembly base / anneau de base assemblée	x
17	N450-0032	nut M4 / M4 écrou	x
18	Z735-0008	washer / rondelle	x
19	N570-0093	screw M4 x 8mm / vis M4 x 8mm	x
20	N655-0202	support, air vent ring /	x
21	N450-0048	washer, lock 10-32 / rondelle de blocage 10-32	x
22	N710-0103-BK1HG	drip pan - ash collector / récipient à cendres - bac d'égouttement	x
23	N010-0969	ash pan handle / poignée du récipient à cendres	x
24	N570-0115	1/4-20 x 5/8" screw / vis 1/4-20 x 5/8"	x
25	N570-0123	shoulder screw, 10-32 x 1/2" /	x
26	N450-0025	nut 1/4-20 / écrou 1/4-20	x
27	N590-0234-BK1SG	wire bottom shelf / tablette grillagée inférieure	x
28	N305-0081-BK2FL	cooking grid side / grille de cuisson lateral	x
29	N305-0080-BK2FL	cooking grid main / grille de cuisson principale	x
30	N325-0076	handle cooking grid / grille de cuisson poignée	x
31	Z735-0014	M4 washer / rondelle M4	x
32	Z570-0032	M4 screw / vis M4	x
33	N500-0043	reflector plate / déflecteur d'air	x
34	N305-0077	charcoal grate / grille à charbon de bois	x
35	N010-0953-BK2GL	base / base	x
36	N010-0865	handle base / de couvercle - base	x
37	Z735-0007	M6 washer / rondelle M6	x
38	N075-0087	leg wheel / patte arrière avec roue	x
39	Z745-0001	wheel / roue	x
40	N450-0043	axle cap / essieu	x
41	N075-0089	leg front / patte avant	x
42	N120-0015	cap leg / embout pour patte	x
43	N450-0035	acorn nut M8 / écrou borgne M8	x
44	N655-0129P	support leg / support de patte	x
45	Z735-0006	flat washer / rondelle plate	x
46	N570-0087	1/4-20 x 7/8" screw / vis 1/4-20 x 7/8"	x
	N590-0207	basket charcoal / panier à briquettes	ac
	55100	tool hook bracket / crochet à ustensiles	ac
	61910	cover / housse	ac

x - standard ac - accessory





Notes





Notes

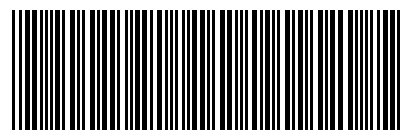




Napoleon products are protected by one or more U.S. and Canadian and/or foreign patents or patents pending.

Les produits de Napoléon sont protégés par un ou plusieurs brevets américains, canadiens et (ou) étrangers ou par des brevets en instance.

www.napoleon.com



N415-0444W

