

MONOGRAM 30" BUILT-IN FRENCH-DOOR SINGLE OVEN ZTSX1FPSZSS



TWIN CONVECTION WITH DIRECT AIR

Achieve beautifully cooked, delicious meals every time with an expertly engineered third heating element and fan system for even heat and consistent results.

BRILLIANT 7" LCD DISPLAY

Easily adjust oven settings on a vibrant, customizable display that allows you to personalize your wallpaper, check weather updates, manage multiple timers, maintain a shared shopping list and connect your phone via Bluetooth to play music right from your oven.

INTEGRATED COOKING CONTENT

Discover recipe inspiration, guided cooking experiences and expert culinary tips from trusted partners like King Arthur Baking— helping you build confidence and get more from your oven.

DIGITAL RECIPE BOX

Elevate your culinary creativity with the digital recipe box, allowing you to save your favorite recipes directly to the oven screen or the SmartHQ™ app. Store recipes from popular food websites or upload photos of your handwritten recipes for effortless access and organization.

PRECISION COOKING MODES

Master new recipes and perfect favorite dishes from prime rib to salmon using this ultra-smart system that automatically tracks cooking progress, modifies temperatures and adjusts cook times.

MORE WAYS TO MASTER EVERY MEAL

A full suite of premium cooking modes— from Slow Roast to No-Preheat Air Fry — delivers more capability in one beautifully integrated appliance.

EFFORTLESS SMART CONTROL

Enhance your wall oven with seamless remote access through the SmartHQ™ app, along with real-time alerts and over-the-air updates designed to help your oven continue improving over time. Plus, voice control through Alexa or Google Home adds hands-free convenience to everyday cooking.

FRENCH DOOR DESIGN

Inspired by commercial kitchen designs, the precision engineered chain-drive mechanism allow for one-hand opening of the door at the same time.



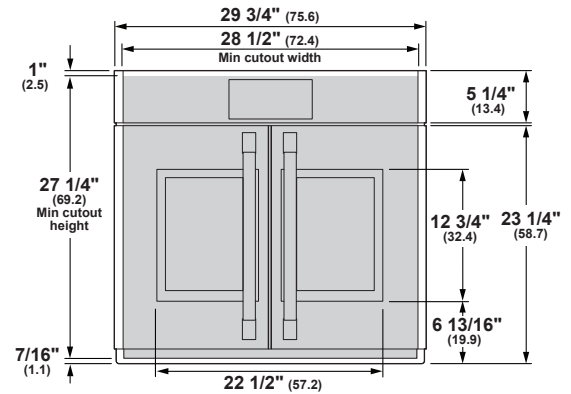
SPECIFICATIONS

| | |
|--------------------------------------|---|
| Overall Width | 29 3/4" (75.6 cm) |
| Overall Height | 28 11/16" (72.8 cm) |
| Overall Depth Including Handle | 27 13/16" (70.6 cm) |
| Oven Door Clearance | 16 1/4" (41.2 cm) |
| Overall Oven Interior Capacity | 5.0 cu. ft. (141.6 l) |
| Oven Interior Dimensions (W x H x D) | 25" x 17 3/8" x 20 1/4" (63.5 cm x 44.1 cm x 51.4 cm) |
| Minimum Cabinet Width | 30" (76.2 cm) |
| Minimum Cabinet Depth | 24" (61.0 cm) |
| Minimum Base Support | 220 lbs (98.8 kg) |
| Cutout Width | 28 1/2" (72.4 cm) Min 28 5/8" (72.7 cm) Max |
| Cutout Height | 27 1/4" (69.2 cm) Min 27 5/16" (69.4 cm) Max |
| Cutout Depth | 23 1/2" (59.7 cm) Min |
| Volts/Hertz/Amps | 240/208 V AC, 60 Hz, 20A |
| Conduit Length | 48", 72" available special order: WB18T10398 |
| Electrical Rating | 3.4 kW at 208V 4.5 kW at 240V |
| Shipping Weight | 208 lbs (95 kg) |

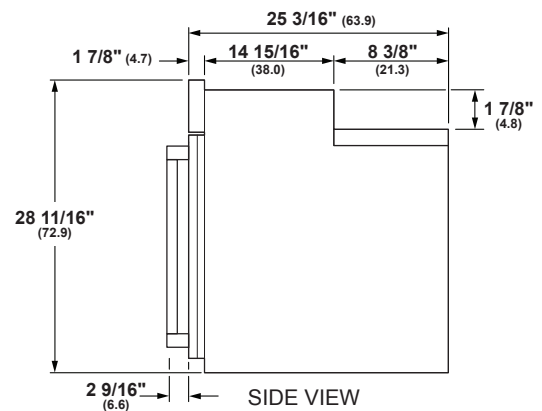
ATTENTION ELECTRICIAN:

A 240/208V, 60Hz, 20 Amp circuit is required. An individual properly grounded branch circuit or circuit breaker is required. Hardware junction box is required for built-in product.

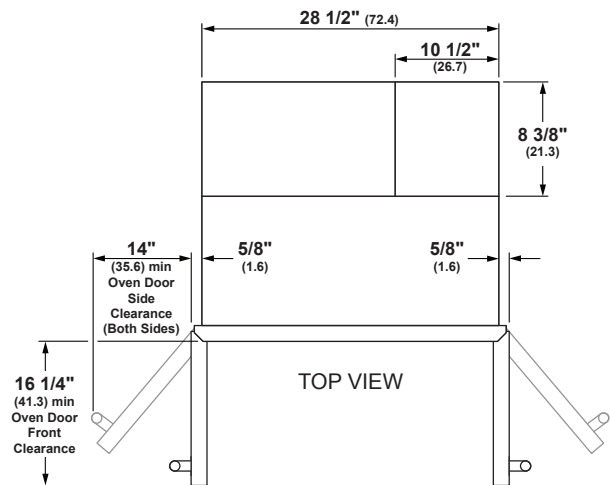
OVERALL DIMENSIONS



FRONT VIEW (SHOWING CUTOUT OVERLAP)



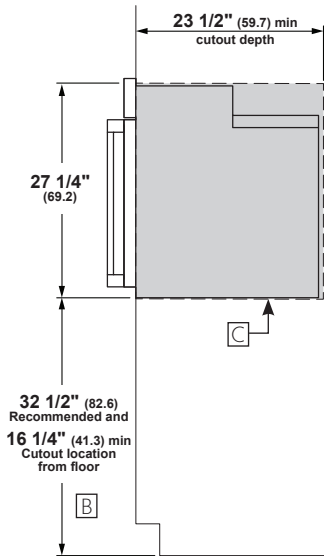
SIDE VIEW



TOP VIEW

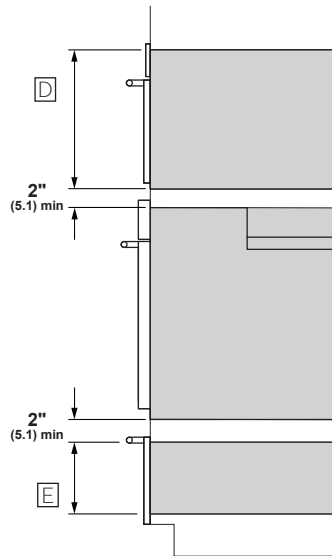
Dimensions in parentheses are in centimeters unless otherwise noted. Actual product dimensions may vary due to manufacturing tolerances.

WALL INSTALLATION



STANDARD
INSTALLATION

INSTALLATION WITH ADVANTIUM AND WARMING DRAWER

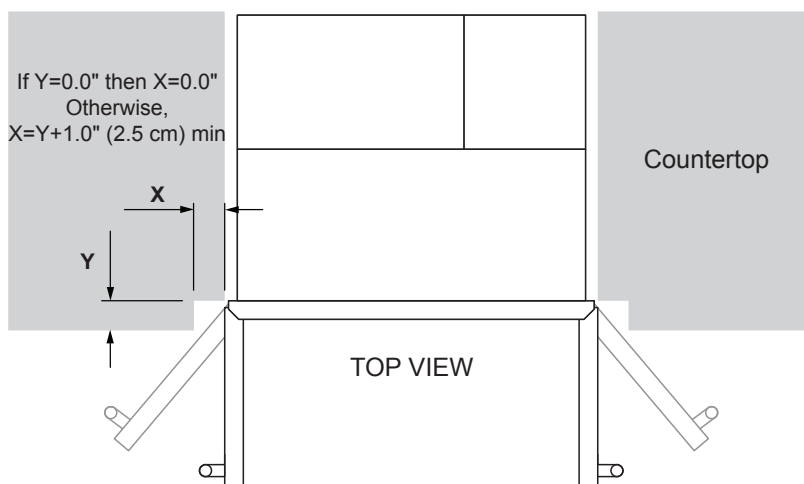


STANDARD INSTALLATION
SIDE VIEW

HELPFUL TIPS

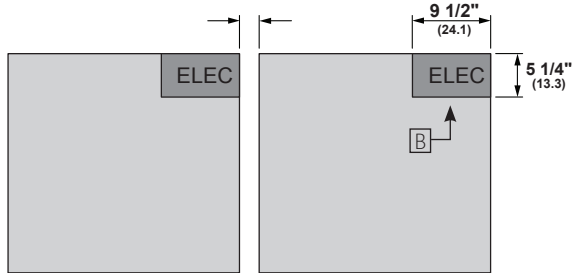
- A** This model is not approved for flush-mount installation.
- B** Based on user height of 5'6" to 5'10".
- C** Platform must be able to support 220 lbs. (98.8 kg)
- D** Dimensions per Advantium or Microwave Oven requirements.
- E** Dimensions per Warming Drawer requirements.

INSTALLATION TO ADJACENT COUNTERTOP



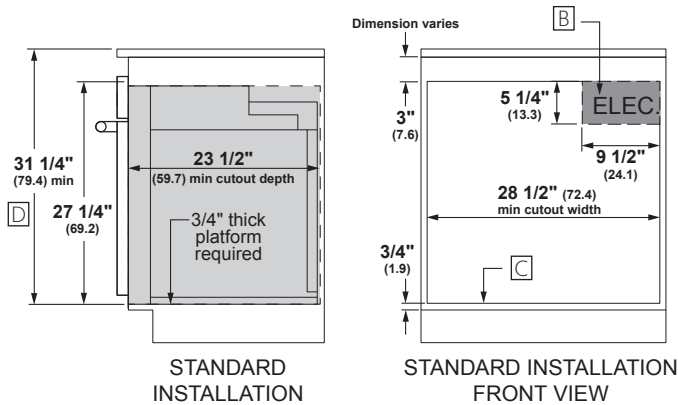
For more details, refer to the installation instructions for this product on Monogram.com.
Dimensions in parentheses are in centimeters unless otherwise noted.

SIDE BY SIDE INSTALLATION



SIDE BY SIDE INSTALLATION
FRONT VIEW OF CUTOUTS

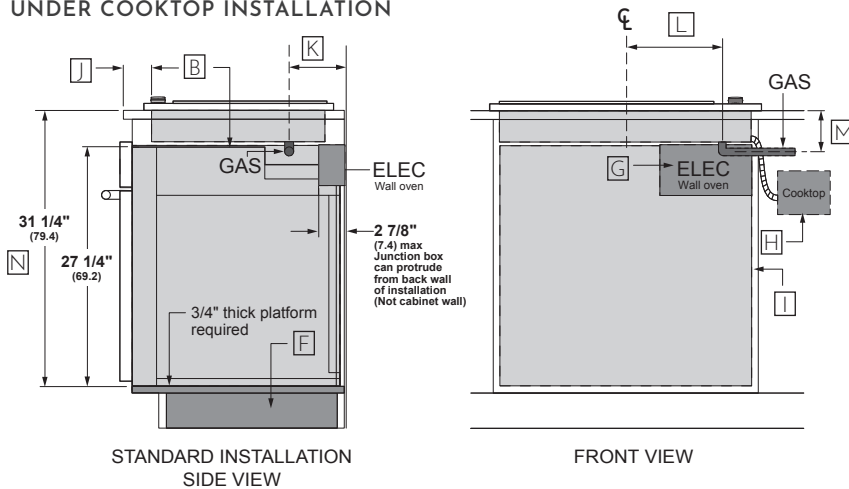
UNDERCOUNTER INSTALLATION



STANDARD
INSTALLATION

STANDARD INSTALLATION
FRONT VIEW

UNDER COOKTOP INSTALLATION



STANDARD INSTALLATION
SIDE VIEW

FRONT VIEW

HELPFUL TIPS

- A** This model is not approved for flush-mount installation.
- B** Junction box location (may also be located in adjacent cabinet.)
- C** Platform must be able to support 220 lbs (99 kg).
- D** Minimum 31 1/4" from the top surface of the countertop to the top surface of the wall oven support platform when installed beneath a certified cooktop.
- E** Note this oven is only approved to be installed under specific models as labeled on this unit.
- F** Support platform made of 3/4" (1.9 cm) wood is required. Must be capable of supporting 220 lbs (99 kg). Support Platform base to be same height as toe kick.
- G** Junction box location for wall oven. (May also be located in adjacent cabinet.)
- H** Gas regulator and electric connections for cooktops must be located in an adjacent accessible location to the right.
- I** Top and/or side fillers may be necessary if unit is positioned between existing cabinets. Be sure they are attached securely, since they will anchor the oven in the cabinet.
- J** For flush oven installations, the cooktop cutout must be set back 2 1/2" (6.4cm) plus the cleat setback.
- K** Dimension varies based on model. Example: ZGU36 5 1/2" (14.0cm) from wall ZGU30 4 5/16" (11.0cm) from wall
- L** Dimension varies based on model. Example: ZGU36 0" (centerline) ZGU30 12 1/16" (30.6cm) (centerline)
- M** Dimension varies based on model. Example: ZGU36 5 1/2" (14.0)cm, requires use of 90° 1/2" FPT x 1/2" FL brass street elbow ZGU30 5" (12.7cm)
- N** Minimum 31 1/4" from the top surface of the countertop to the top surface of the wall oven support platform when installed beneath a certified cooktop.

For more details, refer to the installation instructions for this product on Monogram.com. Dimensions in parentheses are in centimeters unless otherwise noted.