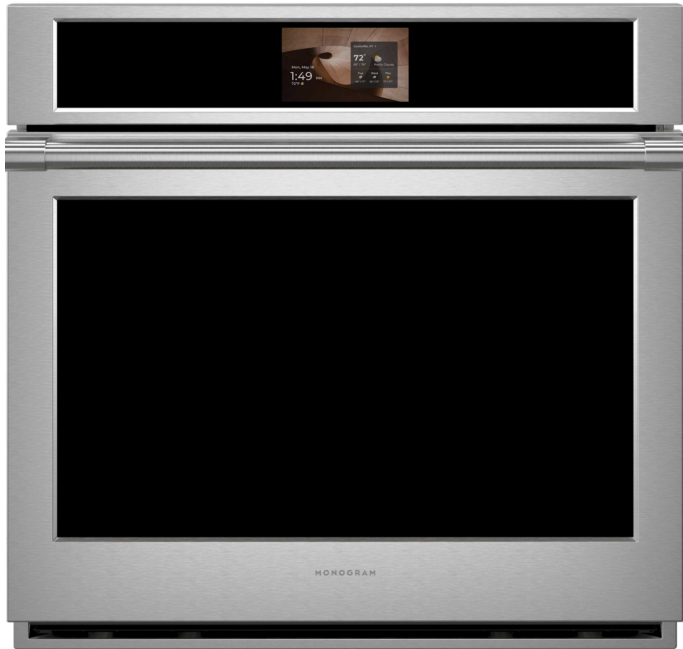


# MONOGRAM 30" BUILT-IN SINGLE OVEN WITH IN-OVEN CAMERA

ZTSX1DPSZSS



## TWIN CONVECTION WITH DIRECT AIR

Achieve beautifully cooked, delicious meals every time with an expertly engineered third heating element and fan system for even heat and consistent results.

## IN-OVEN CAMERA

Stay connected to your culinary creations wherever you are. The built-in camera, accessible through the SmartHQ™ app, lets you monitor cooking progress remotely and can recognize select foods and recommend ideal Precision Cooking modes.

## BRILLIANT 7" LCD DISPLAY

Easily adjust oven settings on a vibrant, customizable display that allows you to personalize your wallpaper, check weather updates, manage multiple timers, maintain a shared shopping list and connect your phone via Bluetooth to play music right from your oven.

## INTEGRATED COOKING CONTENT

Discover recipe inspiration, guided cooking experiences and expert culinary tips from trusted partners like King Arthur Baking — helping you build confidence and get more from your oven.

## DIGITAL RECIPE BOX

Elevate your culinary creativity with the digital recipe box, allowing you to save your favorite recipes directly to the oven screen or the SmartHQ™ app. Store recipes from popular food websites or upload photos of your handwritten recipes for effortless access and organization.

## PRECISION COOKING MODES

Master new recipes and perfect favorite dishes from prime rib to salmon using this ultra-smart system that automatically tracks cooking progress, modifies temperatures and adjusts cook times.

## MORE WAYS TO MASTER EVERY MEAL

A full suite of premium cooking modes— from Slow Roast to No-Preheat Air Fry — delivers more capability in one beautifully integrated appliance.

## EFFORTLESS SMART CONTROL

Enhance your wall oven with seamless remote access through the SmartHQ™ app, along with real-time alerts and over-the-air updates designed to help your oven continue improving over time. Plus, voice control through Alexa or Google Home adds hands-free convenience to everyday cooking.



**SPECIFICATIONS**

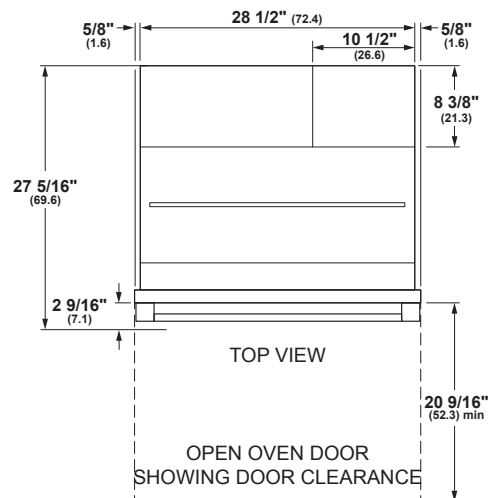
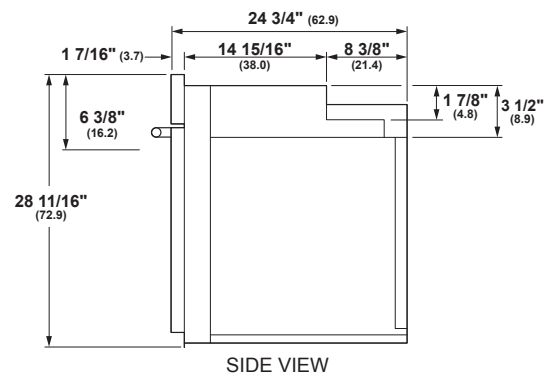
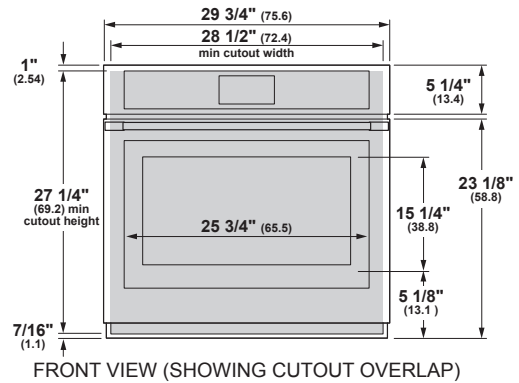
Overall Width	29 3/4" (75.6 cm)
Overall Height	28 11/16" (72.8 cm)
Overall Depth Including Handle	27 5/16" (70.6 cm)
Oven Door Clearance	20 9/16" (52.2 cm)
Overall Oven Interior Capacity	5.0 cu. ft. (141.6 liters)
Oven Interior Dimensions (W x H x D)	25" x 17 3/8" x 20 1/4" (63.5 x 44.1 x 51.4 cm)
Minimum Cabinet Width*	30" (76.2 cm)
Minimum Cabinet Depth*	24" (61.0 cm)
Minimum Base Support	220 lbs. (99 kg)
Cutout Width*	28 1/2" (72.4 cm) Min 28 5/8" (72.7 cm) Max
Cutout Height*	27 1/4" (69.2 cm) Min 27 5/16" (69.4 cm) Max
Cutout Depth*	23 1/2" (59.7 cm) Min
Volts/Hertz/Amps	240/208 V AC, 60 Hz, 20A
Conduit Length	48" (72" available special order: WB18T10398)
Electrical Rating	3.4 kW at 208V 4.5 kW at 240V
Shipping Weight	208 lbs. (95 kg)

\* Additional space will be needed for flush installation.

**ATTENTION ELECTRICIAN:**

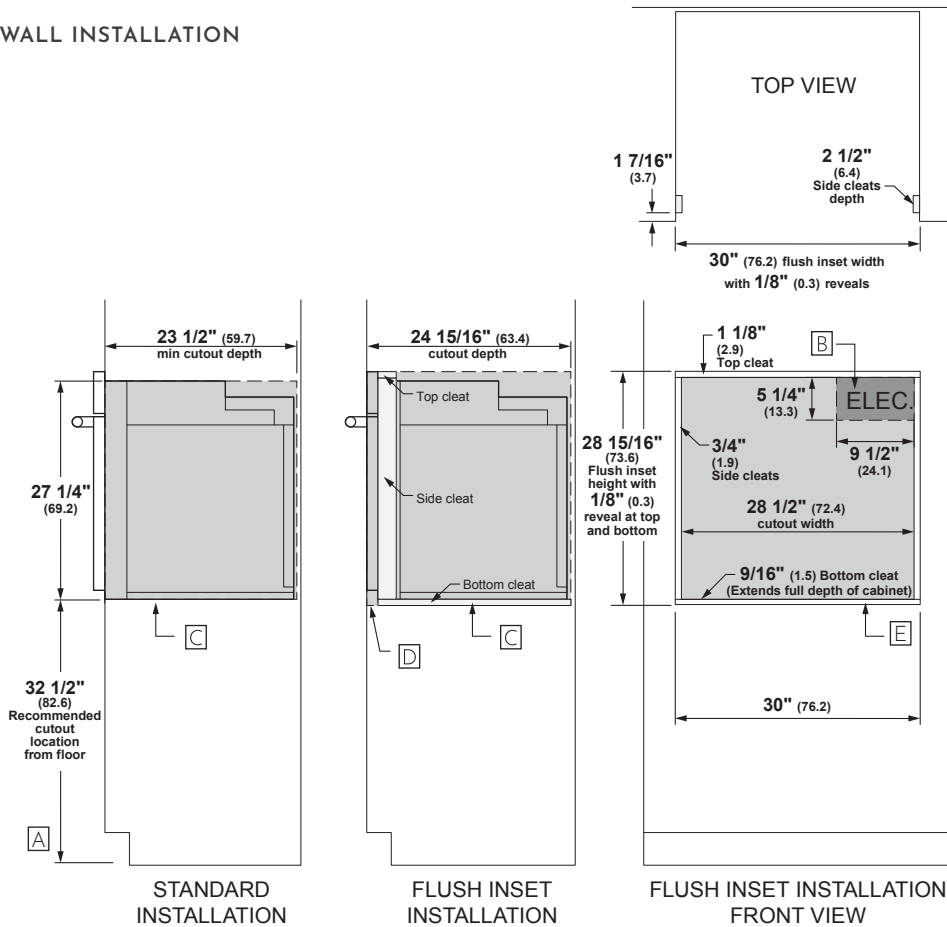
A 240/208V, 60Hz, 20 Amp circuit is required. An individual properly grounded branch circuit or circuit breaker is required. Hardware junction box is required for built-in product.

**OVERALL DIMENSIONS**



Dimensions in parentheses are in centimeters unless otherwise noted. Actual product dimensions may vary due to manufacturing tolerances.

## WALL INSTALLATION

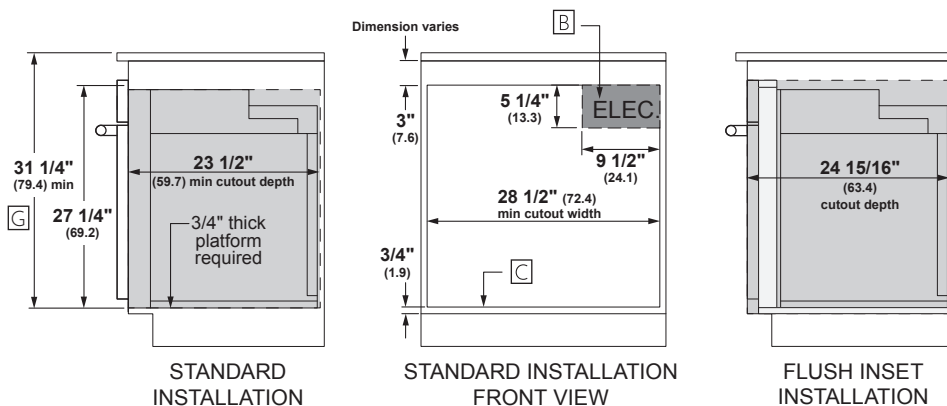


## HELPFUL TIPS

- A Based on a user height of 5' 6" to 5' 10"
- B Junction box location (May also be located in adjacent cabinet.)
- C Platform must be able to support 220 lbs (99 kg)
- D Cabinet surfaces must be an appearance finished surface for flush installation
- E Cleats may be visible and should be finished to match cabinetry
- F If using optional flush install vent trim accessory ZX30VT1, please adjust cutout height to 28-5/8" and bottom cleat height to 1/4"
- G Minimum 31 1/4" from the top surface of the countertop to the top surface of the wall oven support platform when installed beneath a certified cooktop

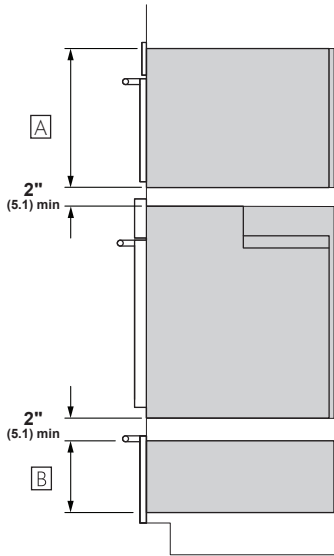
Allow 1/8" (0.3) clearances from side edges of oven door.

## UNDERCOUNTER INSTALLATION



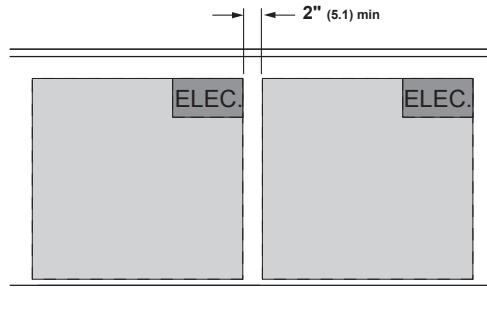
For more details, refer to the installation instructions for this product on Monogram.com. Dimensions in parentheses are in centimeters unless otherwise noted.

**INSTALLATION WITH ADVANTIUM AND WARMING DRAWER**



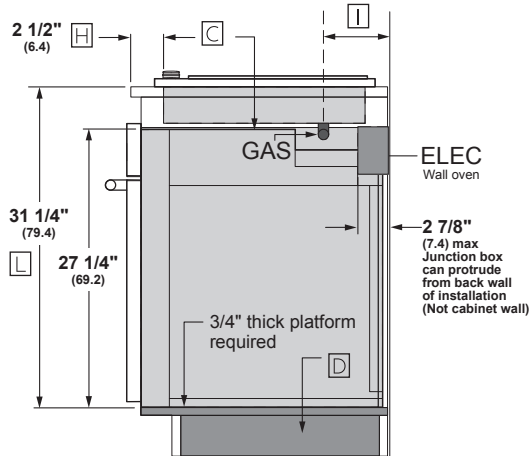
**STANDARD INSTALLATION  
SIDE VIEW**

**SIDE-BY-SIDE INSTALLATION**

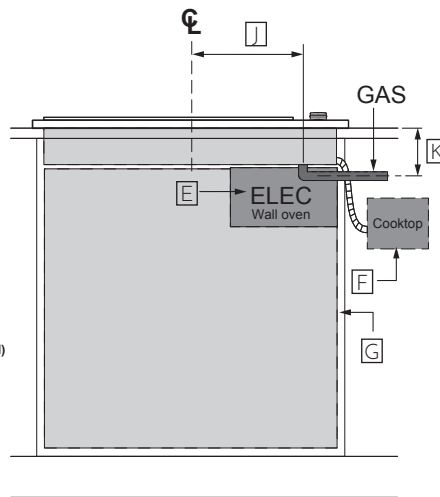


**SIDE-BY-SIDE INSTALLATION  
FRONT VIEW OF CUTOUTS**

**UNDER COOKTOP INSTALLATION**



**STANDARD INSTALLATION  
SIDE VIEW**



**FRONT VIEW**

**HELPFUL TIPS**

- A** Dimensions per Advantium or Microwave Oven requirements
- B** Dimension per Warming Drawer requirements
- C** Note: This oven is only approved to be installed under specific models as labeled on this unit
- D** Support platform made of 3/4" (1.9 cm) wood is required. Must be capable of supporting 220 lbs (99 kg). Support Platform base to be same height as toe kick
- E** Junction box location for wall oven. (May also be located in adjacent cabinet.)
- F** Gas regulator and electric connections for cooktops must be located in an adjacent accessible location to the right
- G** Top and/or side fillers may be necessary if unit is positioned between existing cabinets. Be sure they are attached securely, since they will anchor the oven in the cabinet
- H** For flush oven installations, the cooktop cutout must be set back 2 1/2" (6.4cm) plus the cleat setback
- I** Dimension varies based on model.  
Example:  
ZGU36 5 1/2" (14.0cm) from wall  
ZGU30 4 5/16" (11.0cm) from wall
- J** Dimension varies based on model.  
Example:  
ZGU36 0" (centerline)  
ZGU30 12 1/16" (30.6cm) (centerline)
- K** Dimension varies based on model.  
Example:  
ZGU36 5 1/2" (14.0)cm, requires use of 90° 1/2" FPT x 1/2" FL brass street elbow ZGU30 5" (12.7cm)
- L** Minimum 31 1/4" from the top surface of the countertop to the top surface of the wall oven support platform when installed beneath a certified cooktop

For more details, refer to the installation instructions for this product on Monogram.com. Dimensions in parentheses are in centimeters unless otherwise noted.