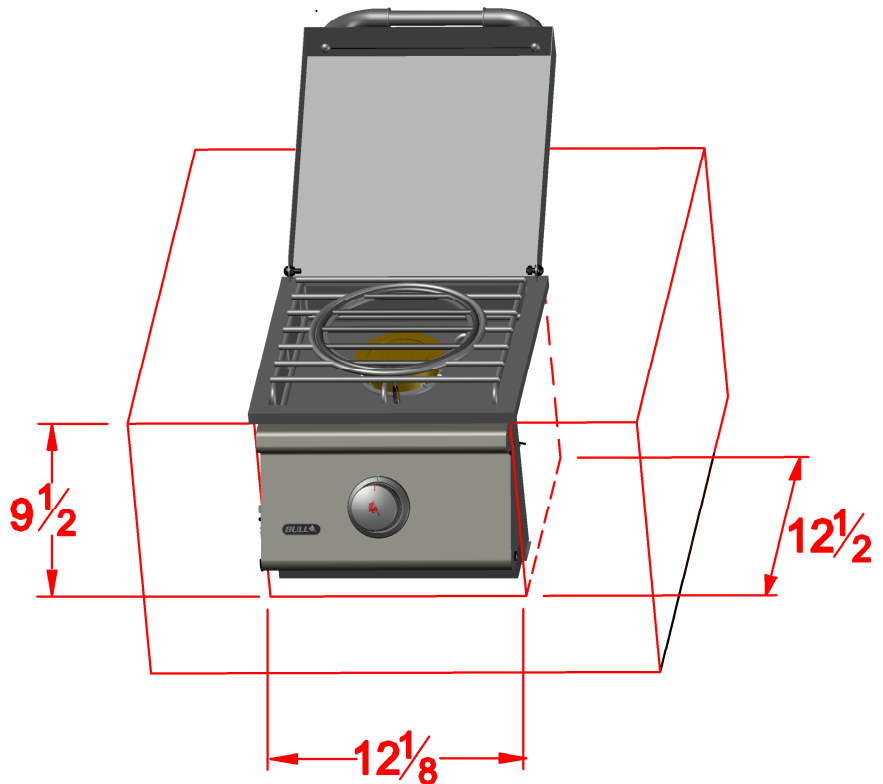


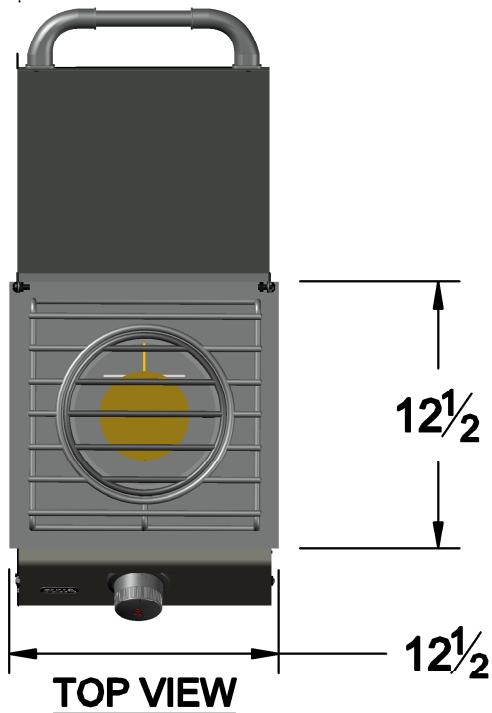


WWW.BULLBBQ.COM

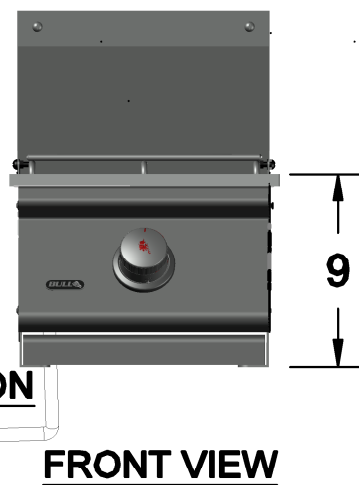
**SPEC SHEET**  
**SLIDE-IN PRO**  
**SINGLE SIDE BURNER**  
**60018 LP (LIQUID PROPANE)**  
**60019 NG (NATURAL GAS)**



**PERSPECTIVE VIEW SHOWING  
INSTALLATION CUTOUT DIMENSIONS**

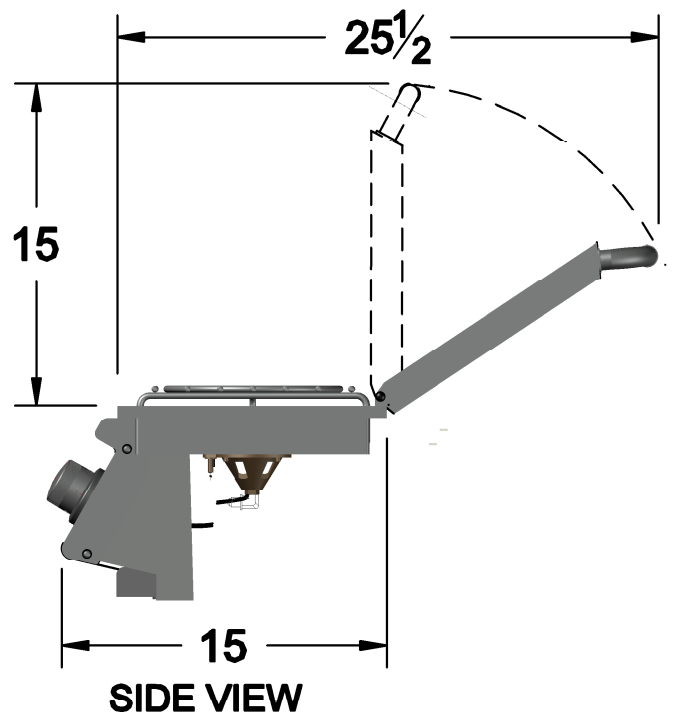


**TOP VIEW**



**GAS  
CONNECTION**

**FRONT VIEW**



**SIDE VIEW**

**NOTES:**

1. ALL DIMENSIONS ARE IN INCH UNITS
2. FINISHING FRAME CAN BE OBTAINED FROM BULL REFER TO ITEM NO. 93007