

Installation Instructions

Information is subject to change. Please refer to our website to obtain the most current product specification, technical & warranty information.

DG 6500


DG 6600

To prevent accidents
and appliance damage
read these instructions

before

installation or use.

IMPORTANT INSTALLATION SAFETY INSTRUCTIONS

 **WARNING** - Read all instructions before installation or use of the steam oven to prevent injury and machine damage.

- ▶ Before installation, make sure that the voltage and frequency on the appliance's data plate correspond with the household electrical supply. These ratings must match to prevent damaging the steam oven. If in doubt, consult a qualified electrician.
- ▶ Installation, repair and maintenance work should be performed by a Miele authorized service technician. Work by unqualified persons could be dangerous and may void the warranty.
- ▶ Power bars or extension cords are not safe (risk of fire). Do not use them to connect the steam oven to the electrical power supply.
- ▶ The electrical outlet should be easily accessible after the appliance has been installed.
- ▶ The appliance must be positioned so that you can see the contents of a cooking pan placed on the top level. Otherwise you may risk scalding or burning yourself with hot water and food when taking pans out of the oven.

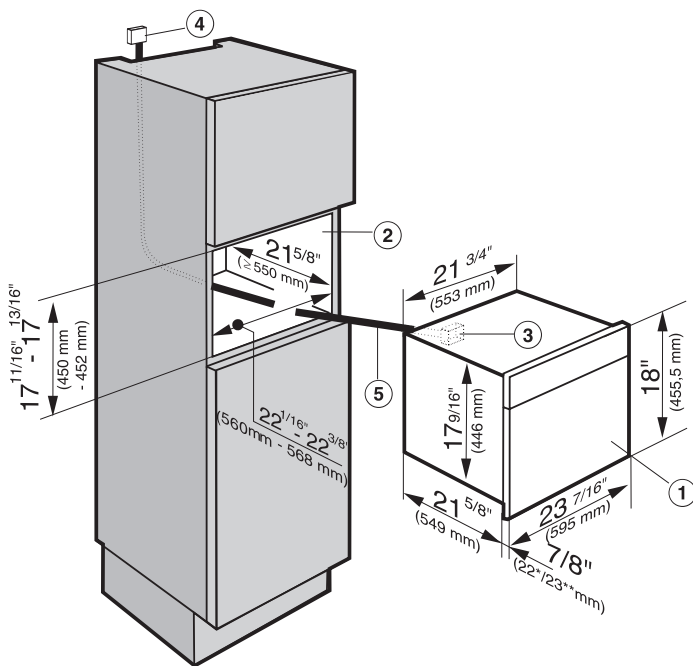
Note to the installer:

Please leave these instructions with the consumer of the appliance for the local building inspectors use.

SAVE THESE INSTRUCTIONS

Appliance and installation dimensions

Installation in a tall cabinet



* Appliances with glass front

** Appliances with metal front

① Built-in steam oven

② Installation niche

③ Power cord - Connection on the appliance

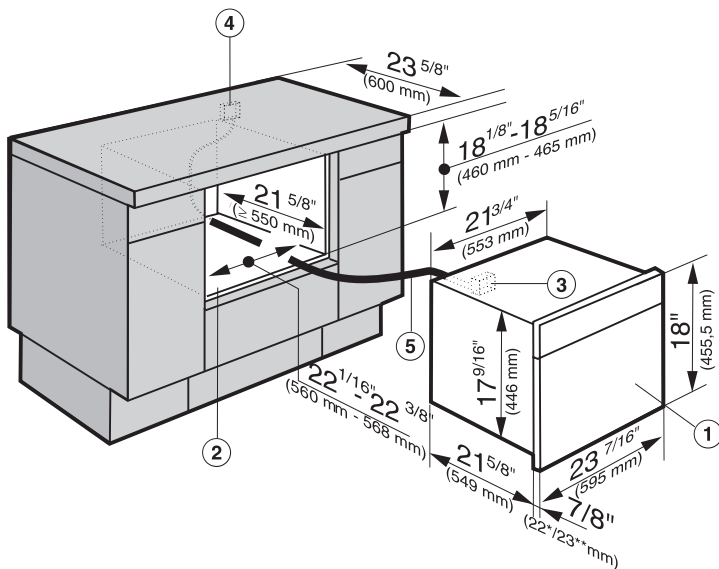
④ Recommended location of the electrical outlet

⑤ Power cord

Appliance and installation dimensions

Installation under a countertop

If the appliance is to be installed under a cooktop, observe the instructions for installation of the cooktop as well as its installation height.



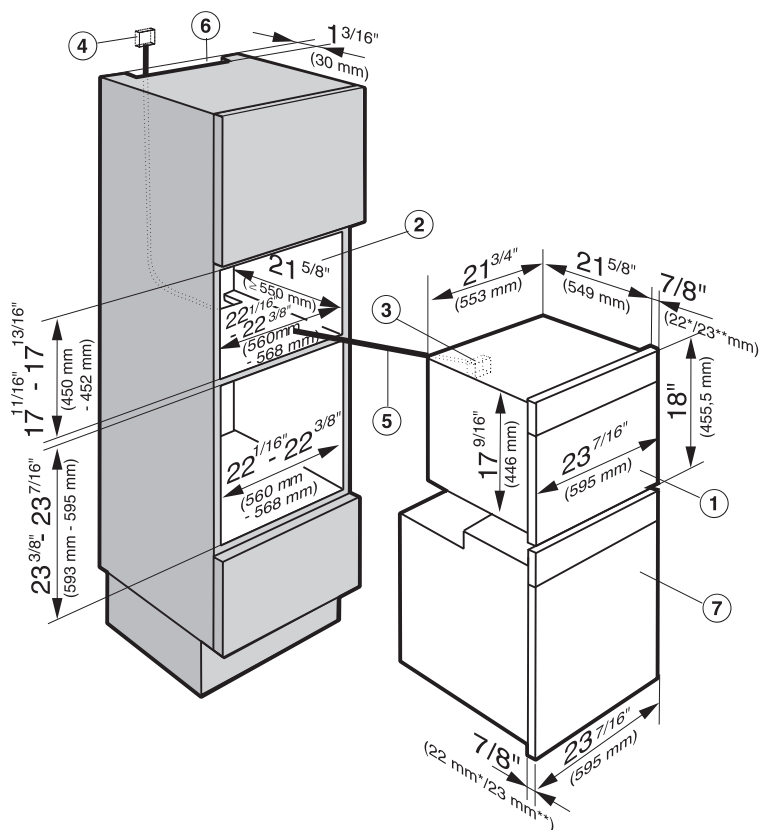
* Appliances with glass front

** Appliances with metal front

- ① Built-in steam oven
- ② Installation niche
- ③ Power cord - Connection on the appliance
- ④ Recommended location of the electrical outlet
- ⑤ Power cord

Appliance and installation dimensions

Installation in combination with an oven



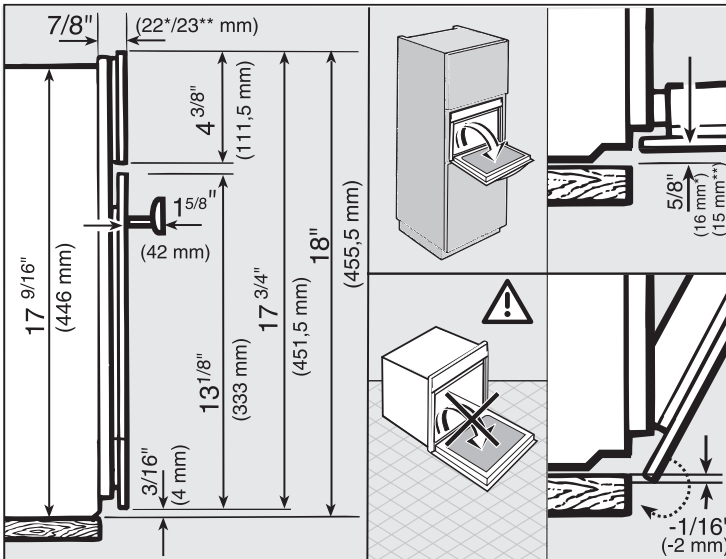
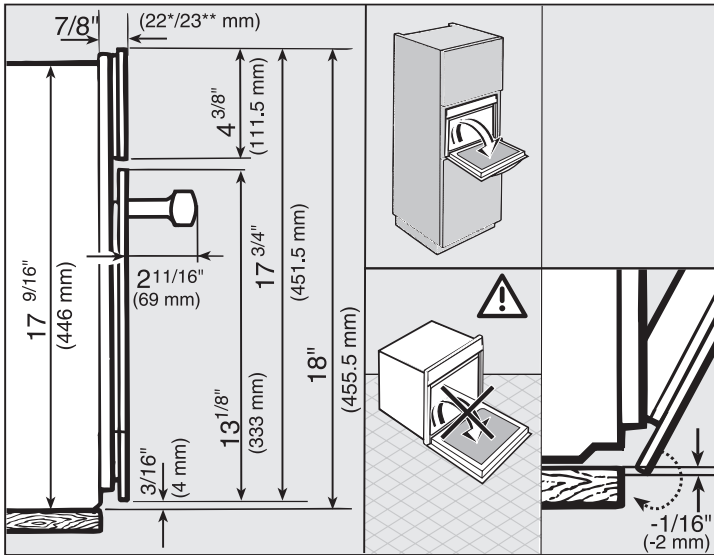
* Appliances with glass front

** Appliances with metal front

- ① Built-in steam oven
- ② Installation niche
- ③ Power cord - Connection on the appliance
- ④ Recommended location of the electrical outlet
- ⑤ Power cord
- ⑥ Cut-out for ventilation when combined with a self-cleaning oven
- ⑦ Oven

Appliance and installation dimensions

Detailed dimensions of the steam oven front



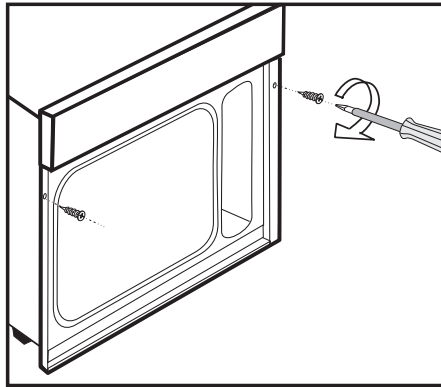
* Appliances with glass front

** Appliances with metal front

Installing the appliance


- Push the appliance into the installation niche and align it.

The appliance must be level, so that the steam generator can operate properly.
Deviation from the horizontal should not exceed 2°.



- Secure the appliance to the left and right side of the cabinet with the two supplied 1/8" x 1" (3.5 x 25 mm) wood screws.

Electrical connection

 **CAUTION:** Before installation or servicing, disconnect the power supply by either removing the fuse, shutting off the main power or manually "tripping" the circuit breaker.

Installation work and repairs should only be performed by a qualified technician in accordance with all applicable codes and standards. Repairs and service by unqualified persons could be dangerous.

Before connecting the appliance to the power supply, make sure that the voltage and frequency listed on the rating label correspond with the household electrical supply. This data must correspond to prevent appliance damage.

Only operate the appliance after it has been installed.

If there is any question concerning the electrical connection of this appliance to your power supply, please consult a licensed electrician or contact Miele's Technical Service Department.

Power supply

Installation, repairs and other work by unqualified persons could be dangerous.

- Be sure your electrical supply matches the data plate.

Power supply

This appliance is equipped with a 5 ft (1.5 m) long power cord with a three-prong grounding plug ready for connection to a 240 V, 20 A, 60 Hz power supply.

Further installation details are on the wiring diagram.

NEMA 6-20P, 20 amp, L1, L2, G

Installer:

Please leave these instructions with the consumer.

Disposal of packing material

The transport and protective packing materials are environmentally friendly for disposal and may be recyclable.

Ensure that any plastic wrap is disposed of safely and kept out of the reach of children. Danger of suffocation! Danger of suffocation!

Disposal of an old appliance

Old appliances may contain materials that can be recycled. Please contact your local recycling authority about the possibility of recycling these materials.

Before discarding an old appliance ensure that it presents no danger to children while being stored for disposal. Unplug it from the outlet, cut off its power cord and remove any doors to prevent hazards.

Please have the model and serial number of your appliance available before contacting Technical Service.

Miele

U.S.A.

Miele, Inc.

National Headquarters

9 Independence Way
Princeton, NJ 08540
Phone: 800-843-7231
609-419-9898
Fax: 609-419-4298
www.mieleusa.com

Technical Service & Support Nationwide

Phone: 800-999-1360
Fax: 888-586-8056
TechnicalService@mieleusa.com



Canada

**Importer
Miele Limited**

Headquarters and Miele Centre

161 Four Valley Drive
Vaughan, ON L4K 4V8
www.miele.ca

Customer Care Centre

Phone: 800-565-6435
905-532-2272
customercare@miele.ca

Germany

Manufacturer
Miele & Cie. KG
Carl-Miele-Straße 29
33332 Gütersloh

INFORMATION IS SUBJECT TO CHANGE. PLEASE REFER TO OUR WEBSITE TO OBTAIN THE MOST CURRENT PRODUCT SPECIFICATIONS, TECHNICAL & WARRANTY INFORMATION.

DG 6500 / DG 6600



en - US

M.-Nr. 09 800 830 / 01