














Operating and Installation Instructions Wine Conditioning Unit



To prevent accidents and machine damage, read these instructions **before** installation or use.

Contents

IMPORTANT SAFETY INSTRUCTIONS	5
Caring for the environment	13
Installation information	14
Installation location	14
Climate class	15
Installation notes	16
Load-bearing capacity of the niche floor	16
Door hinge	16
Adjoining cabinets/units	16
Ventilation	16
Side-by-side	17
Installation dimensions	18
Installing the wine conditioning unit	22
Before starting	22
Tools required	22
Aligning the installation niche	23
Checking the installation niche	23
Pushing the wine conditioning unit into the niche	28
Securing the wine conditioning unit in the niche	32
Aligning the appliance door	34
Adjusting the door opening angle (optional accessory)	37
Electrical connection	38
How to save energy	41
Guide to the appliance	43
Start screen	44
Settings mode 	45
Symbols in settings mode 	46
Accessories	47
Accessories supplied	47
Stainless steel front panels	47
Optional accessories	47
Before first use	48
Before first use	48
Choosing the right Door Assistant (Push2Open/Pull2Open)	48
Using the wine conditioning unit	48
Starting up for the first time	49

Switching the wine conditioning unit on and off	51
Turning off for longer periods of time	51
Selecting additional settings	52
Switching Keypad Lock on or off  / 	52
Performing a Self Test 	53
Switching on Door Assistant 	53
Switching off Door Assistant 	54
Setting up Miele@home 	55
Switching off Demo Mode 	59
Resetting the settings to their default settings 	60
Switching Sabbath Mode  On/Off	61
Switching the ambient lighting  on or off	62
Selecting the intensity of the Ambient Lighting 	62
Selecting Ambient Display	63
The ideal temperature and humidity	64
Temperature	64
Isolator panels for thermal separation	65
Setting the temperature	65
Humidity	66
Increasing the humidity δ	66
Not increasing the humidity δ	67
Door alarm	68
Storing wine bottles	69
Moving the wooden shelves	70
Labeling the wooden racks	70
Maximum capacity	71
Automatic defrosting	72
Cleaning and care	73
Cleaning agents	73
Before cleaning the Wine Storage Unit	74
Interior, accessories, and appliance door	74
Cleaning the door seal	75
Cleaning the ventilation grilles	76
Frequently Asked Questions	77
Causes of noises	84

Contents

Technical Service	85
Contact in case of fault	85
Warranty	85
Declaration of conformity	86
Copyright and licenses	87

IMPORTANT SAFETY INSTRUCTIONS

This wine conditioning unit complies with all statutory safety requirements. Please note that inappropriate use can lead to personal injury and damage to property.

To avoid the risk of accidents and damage to the appliance, please read these instructions carefully before using it for the first time. They contain important notes on installation, safety, use and maintenance.

Miele cannot be held liable for non-compliance with these instructions.

Keep these instructions in a safe place and ensure that new users are familiar with the contents. Pass them on to any future owner.

DANGER of injury!

The wine conditioning unit is very heavy and can tip forwards when the appliance door is open.

Keep the appliance door shut until the wine conditioning unit has been built in and secured in the installation niche in accordance with the operating and installation instructions.

DANGER of injury from broken glass!

If installed at altitudes above 6,561 ft (2,000 m), there is a risk of the glass in the door breaking because of changes in air pressure. Shards of glass can cause severe injury.

IMPORTANT SAFETY INSTRUCTIONS

Appropriate use

- ▶ This wine conditioning unit is intended for use in domestic households and similar residential environments such as
 - staff kitchen areas in shops, offices and other working environments
 - farm houses and by clients in hotels, motels and other residential type environments
 - bed and breakfast type environments
 - catering and similar non-retail applications.

This wine conditioning is not intended for use outdoors, in damp environments or in places exposed to rain.

- ▶ The wine conditioning unit is intended for domestic use only for storing wine.

It must not be used for any other purpose.

- ▶ The wine conditioning unit is not suitable for storing and keeping cool medicines, blood plasma, laboratory preparations or other such materials or products. Incorrect use of the wine conditioning unit for such purposes can cause deterioration of the items stored. The wine conditioning unit is not suitable for use in areas where there is a risk of explosion.

Miele cannot be held liable for damage resulting from improper or incorrect use of the appliance.

- ▶ Persons (including children) which lack physical, sensory or mental abilities or experience with the machine should not use it without supervision or instruction by a responsible person.

Safety with children

- ▶ Children near the wine conditioning unit must be supervised. Do not let children play with the wine conditioning unit.
- ▶ The wine conditioning unit door hinges can cause injury. Keep children away at all times.

IMPORTANT SAFETY INSTRUCTIONS

▶ Ensure that any packing material is disposed of safely and kept out of the reach of children. DANGER of suffocation!

Technical safety

▶ The coolant system is tested for leaks. The wine conditioning unit complies with statutory safety requirements and the appropriate directives.

▶ To avoid the risk of damage to the wine conditioning unit, make sure that the connection data (fuse rating, frequency and voltage) on the data plate corresponds to the household supply. Check that this is the case before connecting the wine conditioning unit. Consult a qualified electrician if in any doubt.

▶ The electrical safety of the wine conditioning unit can only be guaranteed when correctly grounded. It is essential that this standard safety requirement is met. If in any doubt please have the electrical installation tested by a qualified electrician.

▶ Reliable and safe operation of the wine conditioning unit can only be guaranteed if it is connected to the power supply.

▶ The electrical outlet must not be concealed behind the wine conditioning unit and must be easily accessible so that the appliance can be quickly disconnected from the electrical supply in case of an emergency.

▶ If the power cord is damaged, it must be replaced by a Miele authorized technician in order to protect the user from harm.

▶ The electrical outlet must be properly grounded.

▶ Do not connect the appliance to the electrical supply with a power bar or extension cord. These are a fire hazard and do not guarantee the required safety of the appliance.

IMPORTANT SAFETY INSTRUCTIONS

- ▶ If moisture gets into electrical components or into the power cord, it could cause a short circuit. Therefore, do not operate the wine conditioning in areas where there may be moisture or splashing water (e.g., garages, laundry rooms).
- ▶ This wine conditioning unit must not be used in a non-stationary location (e.g. on a ship).
- ▶ In environments with a tropical climate (above approximately 90°F (32°C) and above approximately 70 % humidity), the wine conditioning unit must be operated in an air-conditioned room. Otherwise, it is not possible to guarantee that the wine conditioning unit will operate without issues.
- ▶ Before installation and use check the wine conditioning unit for any visible damage. Do not operate or install a damaged appliance.
- ▶ To ensure safe operation, use the wine conditioning unit only when it has been installed.
- ▶ The wine conditioning unit must be disconnected from the power supply during installation, side-by-side heater installation, maintenance and repair work. The appliance is only disconnected from the power supply if:
 - the circuit breaker has been tripped, or
 - the screw-type fuses on the electrical service panel have been removed or
 - the power cord has been unplugged. Pull on the plug and not on the cord when removing it from the outlet.
- ▶ Installation, repair, and maintenance work should only be performed by a Miele-authorized service technician. Work by unqualified persons could be dangerous and may void the warranty.
- ▶ Repairs and other work performed by unauthorized persons could be dangerous and may void the warranty.

IMPORTANT SAFETY INSTRUCTIONS

▶ Defective components should only be replaced by Miele original parts. Only with these parts can the manufacturer guarantee the safety of the appliance.

Correct use

▶ The wine conditioning unit is designed for use within a certain climate range (ambient temperatures) and should not be used outside this range. The climate range for your wine conditioning unit is stated on the data plate inside the appliance. Installing it in a room with too low an ambient temperature will cause the compressor to shut down for longer periods of time so that the unit cannot maintain the required temperature.

▶ **WARNING! DANGER of overheating!** Do not cover or block the air vents. This can impair the efficiency of the appliance, increase the power consumption and cause damage to the appliance.

▶ If the wine conditioning unit is used for storing food which contains fat or oil, make sure that it does not come into contact with plastic components as any spillages of oil or fat could cause stress cracks to the plastic and cause it to break or split.

▶ Do not store explosive materials in the wine conditioning unit or any products containing propellants (e.g. spray cans). Electrical components could cause flammable vapors to ignite. **DANGER of fire and explosion.**

▶ Do not operate any electrical equipment inside the wine conditioning unit. **DANGER of sparking and explosion.**

▶ Use only genuine original Miele parts. If parts or accessories from other manufacturers are used, the warranty may become invalid.

Stainless steel machines:

▶ Adhesives will damage the coated stainless steel surface and cause it to lose its dirt-repellent protective coating. Do not use sticky notes, transparent adhesive tape, masking tape, or other types of adhesive on the stainless steel surface.

IMPORTANT SAFETY INSTRUCTIONS

▶ The surface is easily scratched. Even magnets can cause scratching.

IMPORTANT SAFETY INSTRUCTIONS

Cleaning and maintenance

- ▶ Do not use any oil or grease on the door seals. They can cause the seals to deteriorate over time.
- ▶ Do not use a steam cleaning appliance to clean this wine conditioning unit. The steam could reach electrical components and cause a short circuit.
- ▶ Sharp edged or pointed objects will damage the evaporator, causing irreversible damage to the wine conditioning unit. Do not use sharp edged or pointed objects to
 - remove frost and ice,
 - remove labels, stickers etc.

IMPORTANT SAFETY INSTRUCTIONS

Transport

- ▶ Always transport the wine conditioning unit in an upright position and in its original transport packaging to avoid damage in transit.
- ▶ DANGER of injury and damage. The wine conditioning unit is very heavy and must be transported by two people.

Disposal of your old appliance

- ▶ Children could become trapped in the machine and could suffocate.
 - Remove the machine doors.
 - Leave the wooden shelves in the machine so children cannot climb inside.
- ▶ DANGER of electric shock!
 - Cut the plug off the power cord.
 - Cut the power cord off the old appliance.
- ▶ Dispose of them separately from the appliance.
- ▶ Ensure that the wine conditioning unit is not stored in the vicinity of gasoline or inflammable gases and liquids during and after disposal.
- ▶ Make sure that the coolant pipework is not damaged during disposal to avoid uncontrolled leakage of oil and coolant (see data plate for coolant type).
- ▶ Splashes of coolant can cause damage to the eyes. Be careful not to damage any part of the pipework while awaiting disposal, e.g. by
 - puncturing the coolant channels in the evaporator,
 - kinking any pipework,
 - scratching the surface coating.

Disposal of packaging material

The packaging is designed to protect the wine conditioning unit from damage during transportation. The packaging materials used are selected from materials which are environmentally friendly for disposal and should be recycled.

Ensure that any plastic wrappings, bags, etc. are disposed of safely and kept out of the reach of children. Return the packaging to your dealer.

Disposal of your old appliance

Electrical and electronic appliances contain valuable materials. They also contain certain substances, compounds and components which were essential for the proper functioning and safe use of the equipment. Handling these materials improperly by disposing of them in your household waste can be harmful to your health and the environment. Therefore, please do not dispose of your old appliance with regular household waste and follow local regulations on proper disposal.




Consult with local authorities, dealers or Miele in order to dispose of and recycle electrical and electronic appliances. Miele assumes no responsibility for deleting any personal data left on the appliance being disposed.


Take care not to damage the pipework at the back of your wine conditioning unit before or during transportation to an authorized, environmentally friendly collection depot.

This way, coolant in the pipework and oil in the compressor will be contained, and will not leak into the environment.

Please ensure that your old appliance does not pose a danger to children while being stored prior to disposal. See "IMPORTANT SAFETY INSTRUCTIONS" for more information.

Installation information

 **DANGER of injury and damage!**
A wine conditioning unit that has not been installed properly can tip up. Keep the appliance door shut until the wine conditioning unit has been built in and secured in its installation niche in accordance with these operating and installation instructions.

 **Fire hazard and risk of damage!**
This wine conditioning unit must not be installed underneath a hob.

If installation near a heat source is unavoidable, observe the following minimum distances between the appliance and the heat source:

- At least 1 1/4" (3 cm) to electric or gas stoves
- At least 11 3/4" (30 cm) to oil or coal-based stoves

If it is not possible to observe these minimum distances, an isolation plate must be installed between the Wine Storage Unit and the heat source.

Installation location

This appliance should be installed in a dry, well-ventilated room.

When deciding where to install your wine conditioning unit, please bear in mind that it will use more energy if installed near to a heater, a cooker or other appliance that gives off heat. Direct sunlight should also be avoided. The higher the room temperature, the longer the compressor has to run and the higher the energy consumption is.

When installing the wine conditioning unit, please note:

- The electrical outlet must be easily accessible in an emergency and not concealed behind the appliance.
- The plug and cord must not touch the back of the wine conditioning unit as they could be damaged by vibrations from the appliance.
- Do not plug in other appliances behind the wine conditioning unit.

Climate class

The wine conditioning unit is designed for use within a certain climate range (ambient temperatures) and should not be used outside this range. The climate range of the wine conditioning unit is stated on the data plate inside it.

Climate class	Room temperature
SN	50° to 90°F (10° to 32°C)
N	61° to 90°F (16° to 32°C)
ST	61° to 100°F (16° to 38°C)
T	61° to 109°F (16° to 43 °C)

Operating in a room which is too cold will cause the compressor to turn off for too long, causing the internal temperature in the appliance to rise, resulting in damage.


IMPORTANT

In environments with high humidity condensation may appear on the external surfaces of the wine conditioning unit.

Condensate can cause corrosion on external appliance walls.

For prevention, it is advisable to install the wine conditioning unit with sufficient ventilation in a dry and/or air conditioned room.

After installation make sure that the appliance door closes properly, the air vents are not covered and that the wine conditioning unit has been installed in accordance with these installation instructions.

 In environments with a tropical climate (above approximately 90°F (32°C) and above approximately 70 % humidity), the wine conditioning unit must be operated in an air-conditioned room.

Otherwise, it is not possible to guarantee that the wine conditioning unit will operate without issues.

Installation information

Installation notes

Load-bearing capacity of the niche floor

To ensure the safe installation of the wine conditioning unit and to guarantee its correct functioning, the floor of the niche where the appliance is to be installed must be smooth and even.

It must be made from strong, rigid material.

The wine conditioning unit is extremely heavy when fully loaded, and the floor it stands on must be able to bear its weight. If necessary, seek the advice of an architect or structural engineer.

When fully loaded, the weight of the wine conditioning unit is approx.:

KWT 26x1 SF	1545 lbs (701 kg)
-------------	----------------------

Door hinge


The wine conditioning unit is supplied with a fixed hinge. If you need to change the door hinge to the other side, please contact the Technical Service department.


On no account should you attempt to change the door hinge yourself.

Adjoining cabinets/units

The wine conditioning unit is screwed to the adjoining cabinets/units to the side and above. For this reason, it is essential that all cabinets/units are fixed to the ground and/or wall.

Ventilation

 **WARNING! Fire hazard!**
Operation of the wine conditioning unit is limited. Keep the required ventilation gaps free from obstruction.

 If the required ventilation gaps are not left unobstructed, the compressor will switch on more often and will run for longer periods. This causes increased energy consumption and an increased compressor operating temperature, which can result in damage to the compressor.
Do not block the ventilation gaps. They must also be cleaned on a regular basis to remove dust.

Installation information

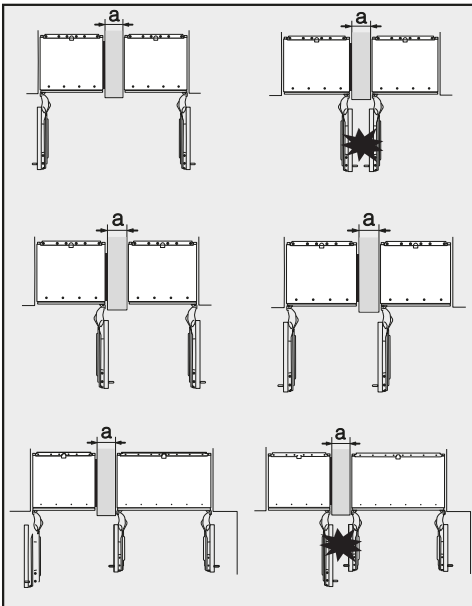
Side-by-side

This wine conditioning can be installed side-by-side with another refrigeration appliance. The following overview will show you which side-by-side options you have with your appliance:

A side-by-side merging kit and a top frame (KTF) are required for this. Both are available from your Miele dealer or Miele Technical Service.

Instructions for installing appliances side-by-side can be found in the side-by-side merging kit instruction manual.

... with partition wall



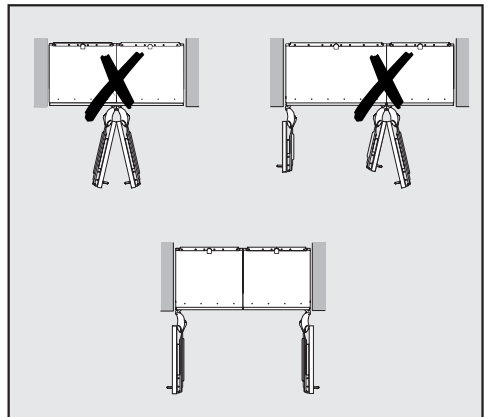
The wall **a** between the side-by-side wine conditioning unit/appliances must be **at least 5/8" (16 mm)** thick.

Each wine conditioning unit/appliance must be built into its own niche using the installation parts supplied.

If the partition wall **a** is **narrower than 6 5/16" (160 mm)**, you need the heating mat from the side-by-side merging kit to prevent condensation from forming and any resulting damage.

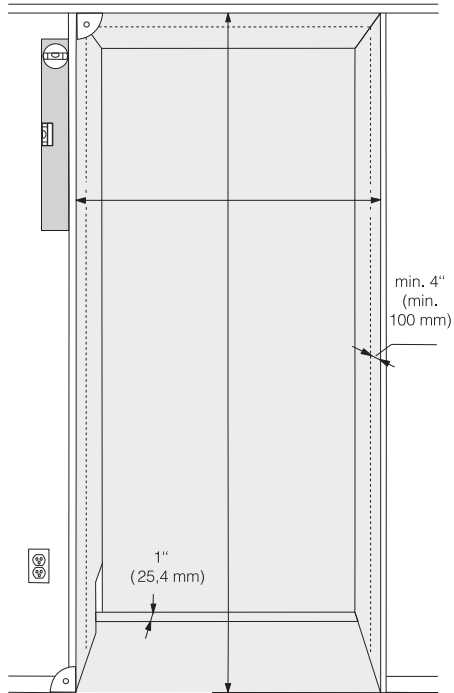
If the partition wall **a** is **more than 6 5/16" (160 mm)** thick, you don't need the side-by-side merging kit, and also not the heating mat.

... without partition wall



If the wine conditioning unit/appliances are to be installed next to each other without a partition wall between them, they will need to be joined together with the side-by-side merging kit. In addition, you must install the heating mat to prevent condensation from forming and any resulting damage.

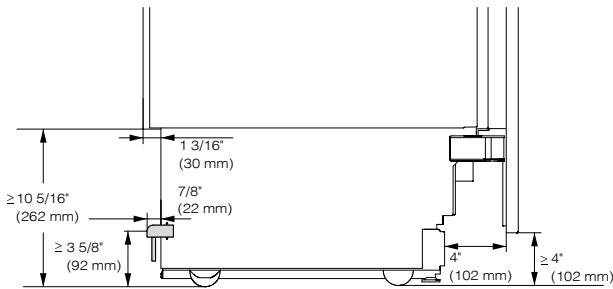
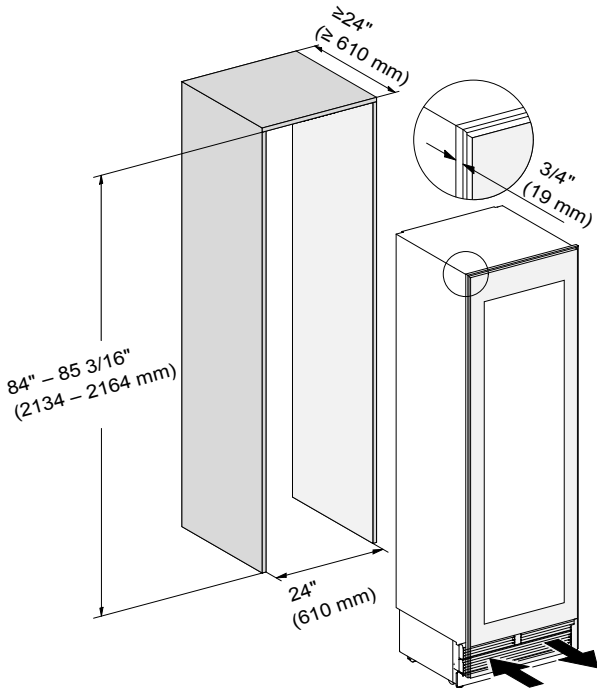
Installation dimensions



- The electrical connection must not be positioned higher than 9" above the floor.

The electrical outlet must not be concealed behind the appliance and must be easily accessible in an emergency.

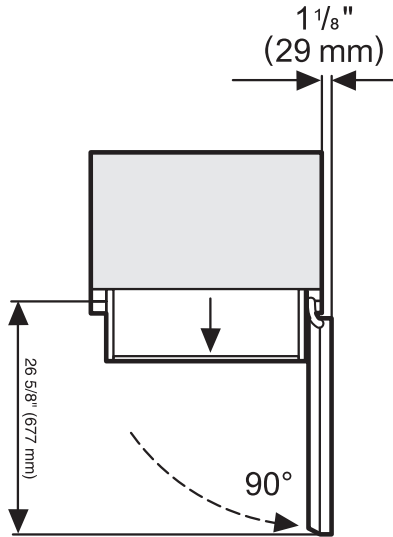
Installation dimensions



side view

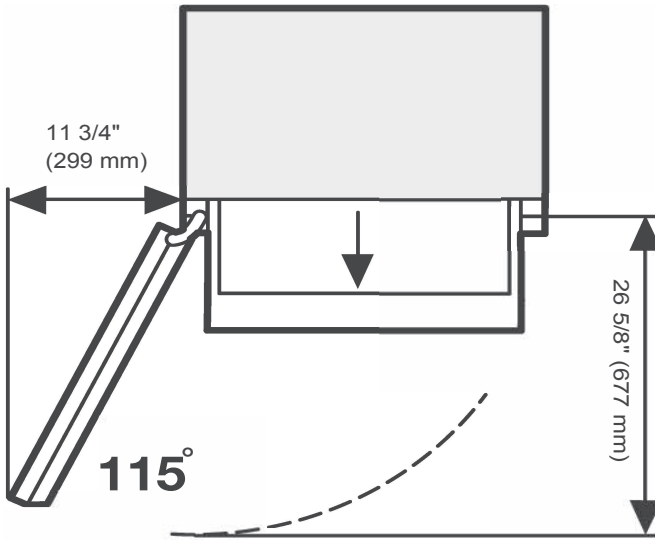
Installation dimensions

Dimensions when the appliance door is opened
(opening angle 90°)



Installation dimensions

Dimensions when the appliance door is opened
(opening angle 115°)



Installing the wine conditioning unit

Before starting...

It is essential to read these installation instructions carefully before starting to install the wine conditioning unit.

The wine conditioning unit should be installed by a suitably qualified tradesman in accordance with these installation instructions. Safe operation of the wine conditioning unit is only assured if it has been installed and connected in accordance with the installation instructions.

 **DANGER** of damage and injury!

The wine conditioning unit is very heavy and can tip forwards when the appliance door is open.

Keep the door shut until the wine conditioning unit has been built in and secured in its installation niche in accordance with the operating and installation instructions.

The wine conditioning unit is both large and heavy. Installation must be carried out by two people.

The wine conditioning unit must be installed in accordance with local regulations. If local regulations are not available, the following regulations must be observed:

- in the USA: the National Electrical Code, ANSI/NFPA 70 – latest edition/ State and Municipal codes and/or local codes.
- in Canada: the Canadian Electrical Code C22.1 – latest edition/Provincial and Municipal codes and/or local codes.

Tools required

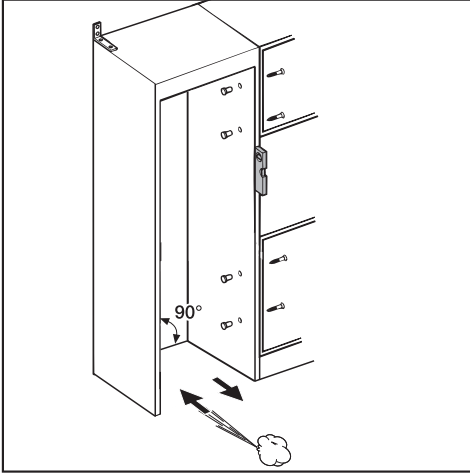
- Cordless drill
- TX 20 screwdriver
- Hammer drill
- Drill bits in various sizes, depending on materials
- Hammer
- Open-ended wrench
- Ratchet wrench, attachment: socket, 5/16" (8 mm)
- Adhesive tape
- Utility knife
- Pipe wrench
- Level
- Tape measure
- Pencil

Other

- Step ladder
- Hand truck

Installing the wine conditioning unit

Aligning the installation niche



The installation niche must be carefully aligned using a level before installing the wine conditioning unit. The niche corners must be at 90° angles to each other, otherwise the cabinet door will not sit straight on all four corners.

- The side panels of the installation niche must be even.
- The surrounding walls of the installation niche must be at least 5/8" (16 mm) thick.
- The surrounding walls must be securely fixed to the floor or wall.
- The shortened side walls must be at least 4" (100 mm) thick.
- The baseboard must be at least 1/2" (13 mm) thick (preferably 3/4" (19 mm)).

Checking the installation niche

- Check the installation dimensions.
- Check the position of the electrical connections (see "Electrical connection").
- Check that all adjacent cabinets/units are securely fixed to the wall. All adjacent cabinets/units must be securely fixed to the wall.
- Check the adjacent cabinets/units for possible collisions when opening doors (door opening angle).

Installing the wine conditioning unit

Before installation

⚠ Heavy weight!

This wine conditioning unit is very heavy and can tip forwards when the door is open.

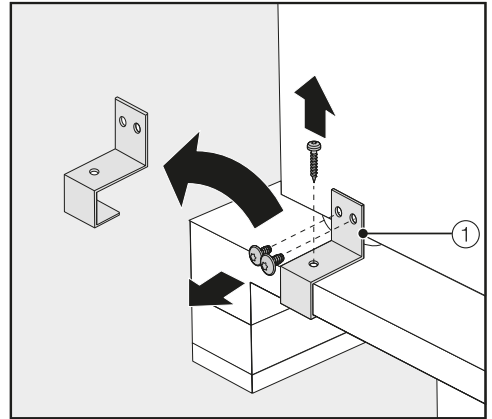
- Before installation, remove any accessories from the back of the wine conditioning unit.
- Check the wine conditioning unit for damage during transportation.

Do not install a damaged wine conditioning unit.

- Check that all parts at the back of the wine conditioning unit are unobstructed.
- To protect the floor when installing the wine conditioning unit, secure an off-cut of flooring or similar material to the floor in front of the installation area.

⚠ DANGER of tipping over!

Please bear in mind that the wine conditioning unit is no longer secured to the pallet!





- Unscrew the brackets ① that are fixing the wine conditioning unit to the delivery pallet.
- With the help of several people as required, carefully lift the wine conditioning unit from the pallet, starting with the back of the wine conditioning unit.

The wine conditioning unit can be rolled along the floor using the wheels at the back.

Installing the wine conditioning unit

Preparing the installation niche

 Keep the door of the wine conditioning unit closed until the appliance is secured inside the niche!

 Risk of tipping over!
The installation niche must be secured to the wall behind it with several screws. Only this can ensure that the wine conditioning unit will not tip over after being installed!
Always use the provided anti-tip brackets to secure the niche.


Due to the sheer size and weight of the wine conditioning unit, it needs to be ensured that it cannot tip forwards once it is built into the niche.

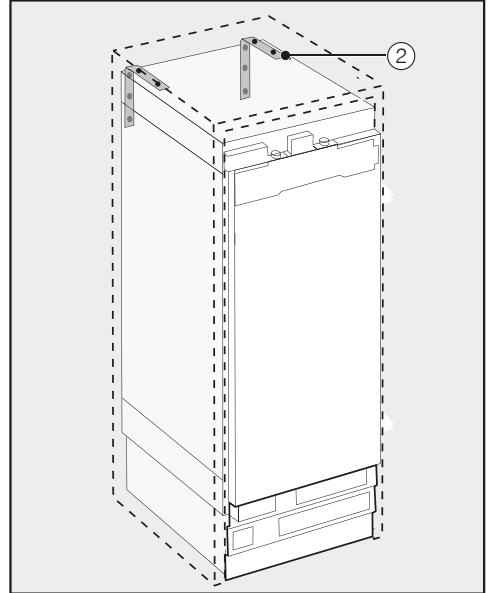
Using the installation equipment



Parts required for installation of the wine conditioning unit are supplied with the wine conditioning unit. The plastic bags supplied are marked with letters for easy identification.

- When performing the individual assembly steps, observe the letters specified and use the matching plastic bag with the required installation equipment.

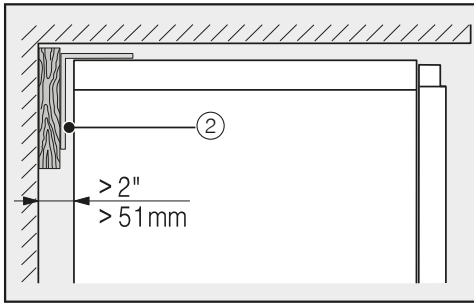
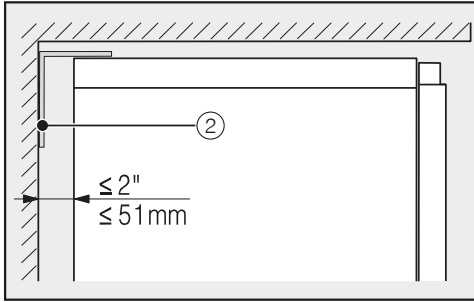
Securing the installation niche

The provided anti-tip brackets  ensure the installation niche is securely fixed to the wall.

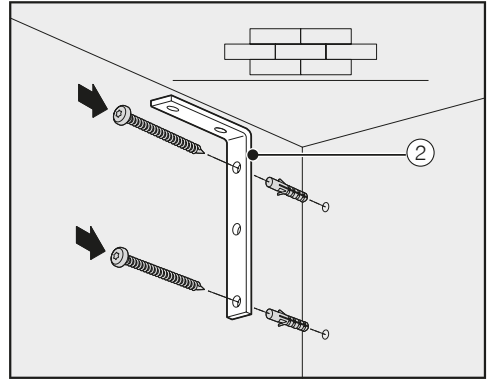


- Use 2 anti-tip brackets  for each individual wine conditioning unit or 4 anti-tip brackets for each (side-by-side) combination of 2 wine conditioning units.
- Position the anti-tip brackets  on the left and right of the niche.

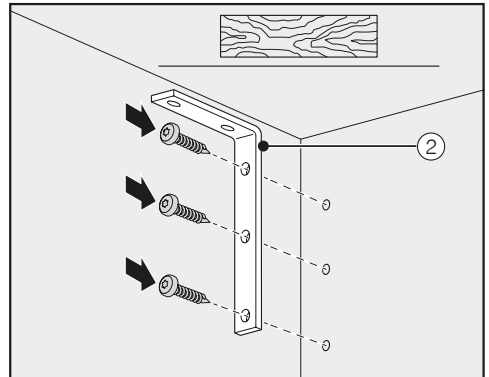
Installing the wine conditioning unit



Retaining screws for different uses and types of material are supplied in the accompanying pack:



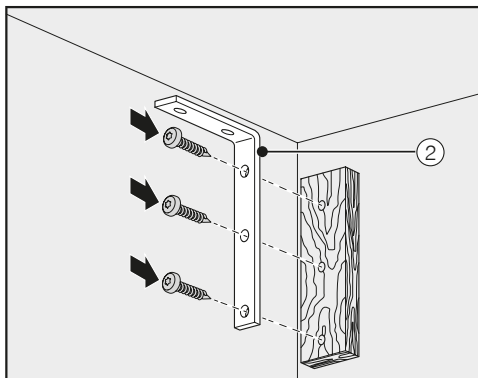
Securing to a concrete wall



Securing to a wooden wall

- Make sure that the gap between the wine conditioning unit's rear wall and the installation niche does not exceed 2" (51 mm).
- Place a wooden wedge behind the anti-tip brackets (2) if necessary.
- While holding the anti-tip brackets in place, mark the necessary drill holes on the rear wall of the installation niche.

Installing the wine conditioning unit



Securing with a wooden wedge

- Secure the installation niche to the wall using the anti-tip brackets ②.

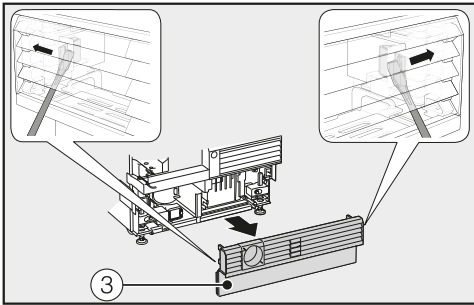
Installing the wine conditioning unit

Pushing the wine conditioning unit into the niche

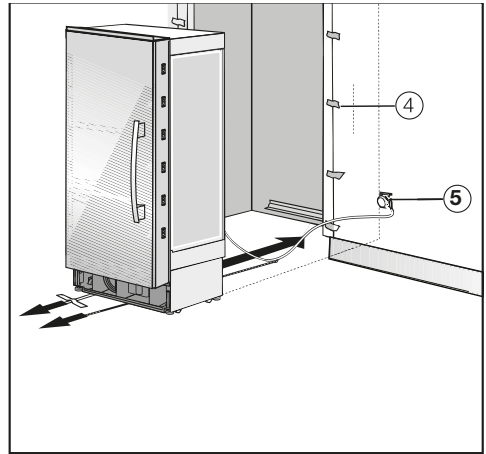
Then push the wine conditioning unit into the niche, taking care not to damage the electrical cord.

If you are installing several appliances side by side, now secure the appliances to one another (see the instructions for the side-by-side installation kit).

- Remove the baseboard ③ from the appliance base as follows:



- Carefully guide a flat-head screwdriver through the grate in the baseboard ③ on both sides and use it to push the internal plastic latches outwards to release the baseboard.



- Affix edge protection ④ to the adjacent cabinet fronts.
- Insert the plug connector at the back of the appliance (see “Electrical connection”).
- Insert the plug ⑤ into the electrical outlet.

The electrical outlet should be close to the appliance and easily accessible!

Otherwise, it must be possible to switch the appliance on and off using an external all-pole switch with a sufficient contact gap!

⚠ Risk of short circuit and overloading!

When installing appliances side by side, each appliance must have its own separate electrical outlet.

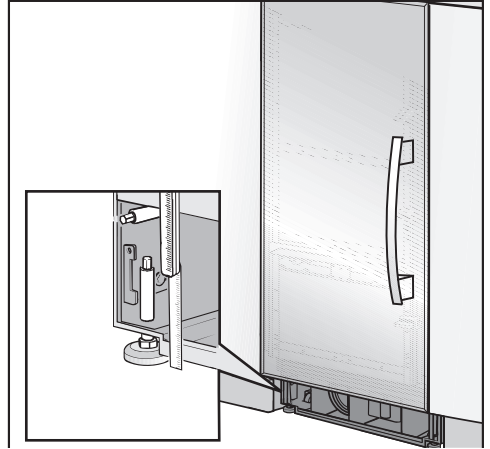
Installing the wine conditioning unit

Tip: To secure the power cord to prevent it becoming caught: Tie a piece of string to the middle of the cord and as the appliance is being pushed into the niche, pull the cord forward underneath the appliance.

- Carefully push the appliance into the niche.
- If the appliance cannot be pushed into the niche (because the floor is uneven, for example), unscrew the rear feet slightly (see “Aligning the appliance”) and slide the appliance into the niche.
- Remove the edge protection ④ from the adjacent cabinet fronts.

Aligning the wine conditioning unit

- Align the wine conditioning unit with neighboring cabinet fronts.

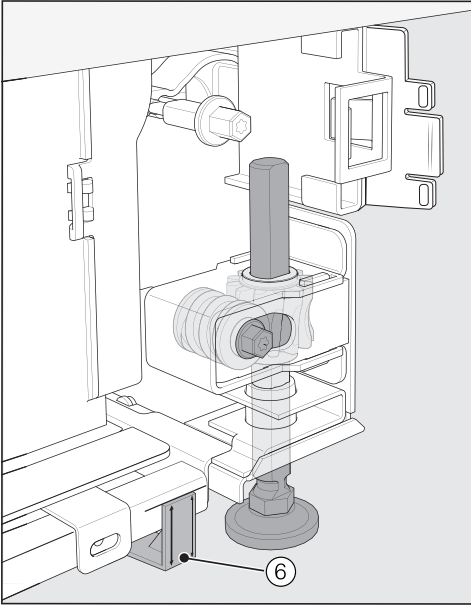


The adjustable feet at the front and back of the wine conditioning unit can all be adjusted from the front:

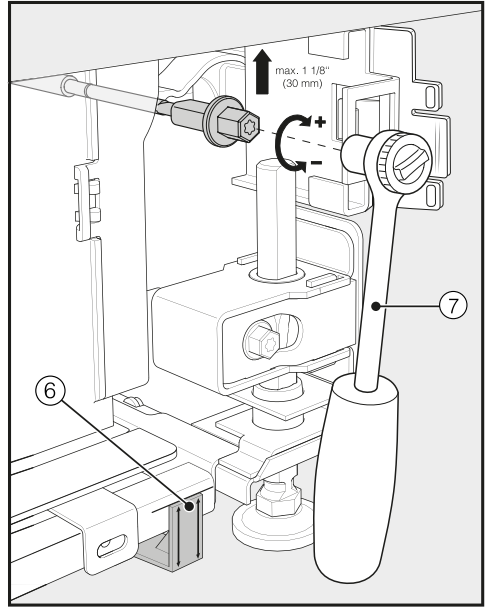
⚠ Risk of damage!
Do not **under any circumstances** use a cordless screwdriver to adjust the front and rear feet.

Installing the wine conditioning unit

A

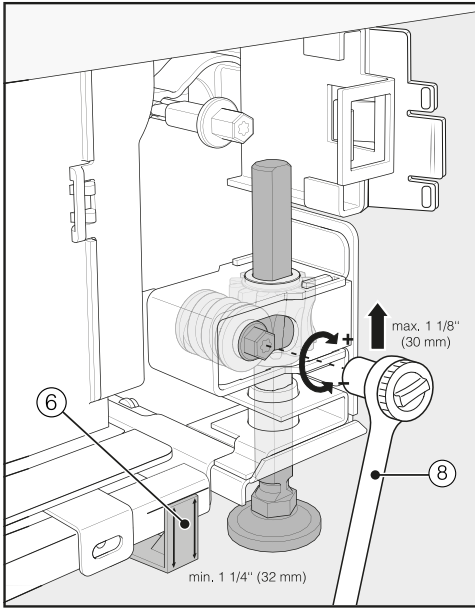


- Position the supplied spacers ⑥ on both sides on the markings next to the adjustable feet at the front of the wine conditioning unit.



- Adjust the rear feet with a ratchet (attachment: 5/16" (8 mm) socket) or a TX 20 screwdriver ⑦.

Installing the wine conditioning unit



- Adjust the front feet with a ratchet (attachment: 5/16" (8 mm) socket) or a TX 20 screwdriver (8).

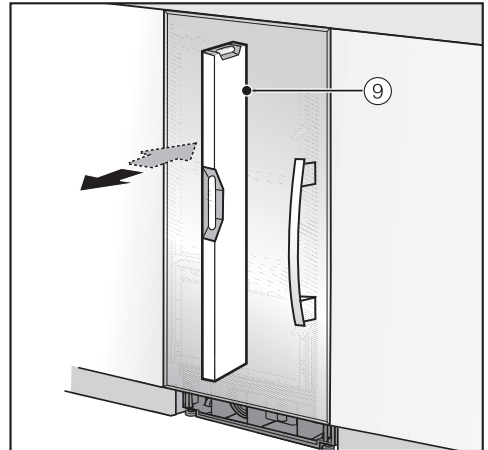
Tip: Proceed carefully when adjusting the feet, alternating between the left and right feet.

- Unscrew the feet (7) and (8) on both sides at least until the marking on the base is aligned with the required 1 1/4" (32 mm) on the spacer (6). The standard dimension of 1 1/4" (32 mm) relates to a niche height of 84" (2134 mm).

It is important to align the feet to a height of at least 1 1/4" (32 mm) so that the wine conditioning unit's ventilation works properly via the base.

⚠ Risk of damage!

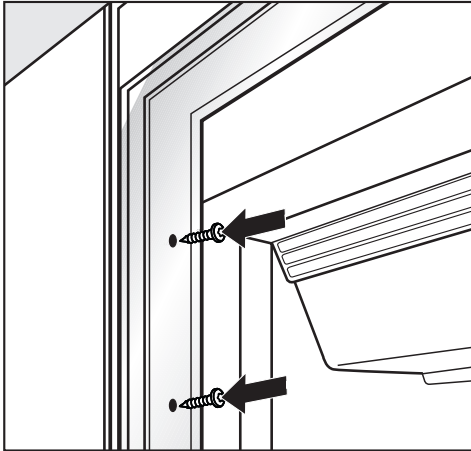
Unscrew the feet **only** until the marking on the base is aligned to a maximum of 2 7/16" (62 mm) (max. niche height of 85 3/16" (2164 mm)). Otherwise the rear foot adjustment will be damaged.



- Check the alignment of the wine conditioning unit again using installation aids (9) and the level.

Installing the wine conditioning unit

Securing the wine conditioning unit in the niche

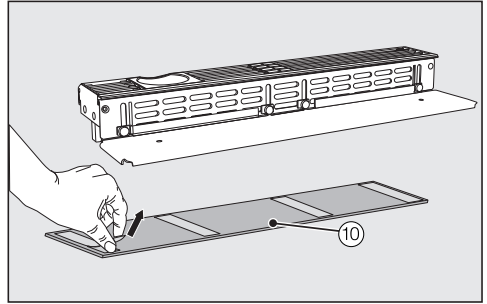


- Use the screws supplied to secure the wine conditioning on both sides.

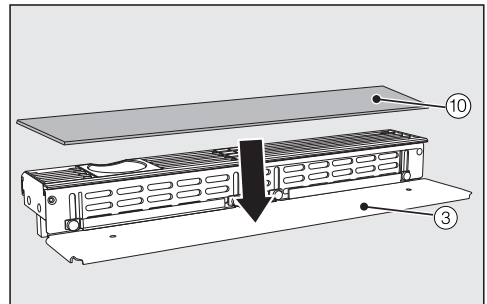
In a side-by-side combination, only the external panels of the two appliances can be secured to the cabinet wall.

Securing the base cover plate and the baseboard

Do not cover the vents in the base. This will damage the appliance!

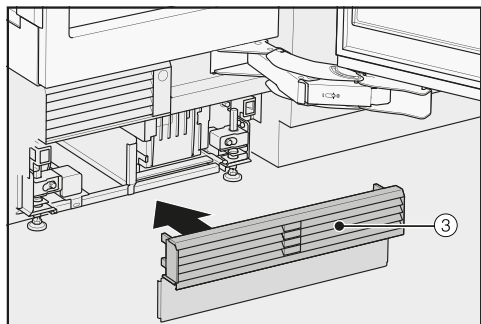


- Remove the film from the base cover plate ⑩.



- Secure the base cover plate ⑩ to the baseboard ③.

Installing the wine conditioning unit



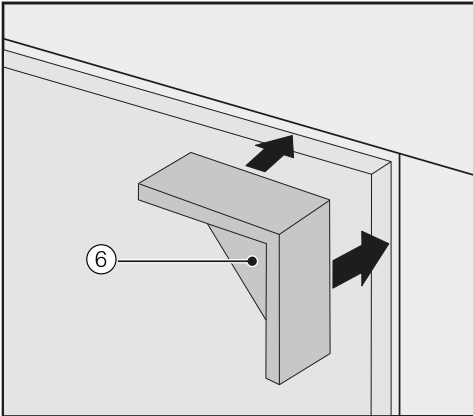
- Click the baseboard ③ onto the bottom of the appliance base.

Installing the wine conditioning unit

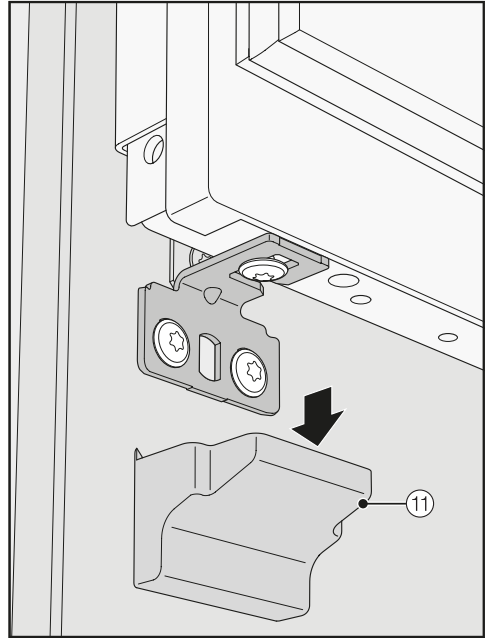
Aligning the appliance door

Following installation, align the appliance door with adjacent cabinetry fronts.

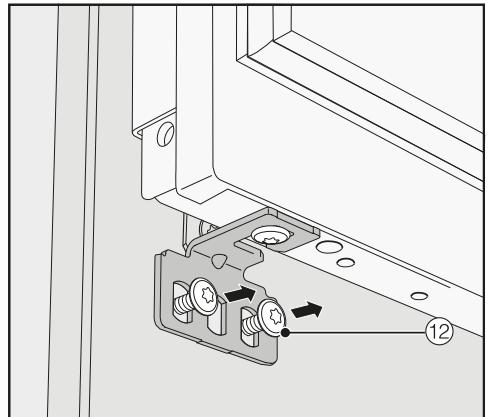
To do this, check the gaps to the adjacent cabinetry fronts.



- If necessary, use the spacers provided ⑥ and place them on both sides of the appliance door.

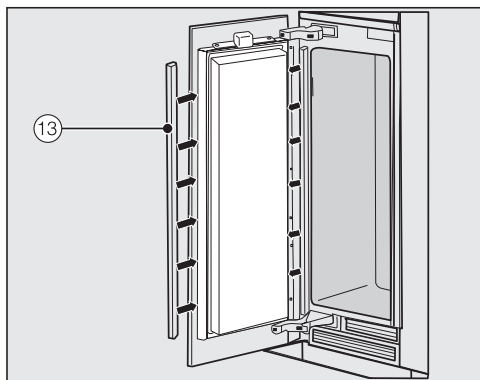


- Remove the cover ⑪ on the bottom fixing bracket.

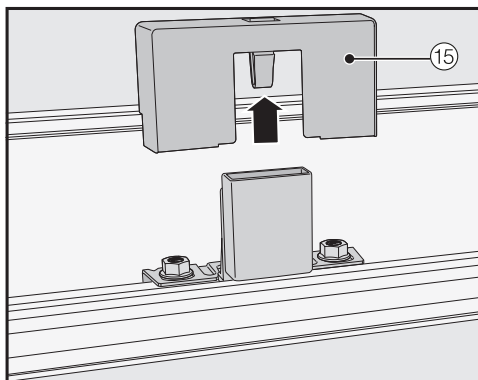


- Slightly loosen the screws ⑫ on the fixing bracket.

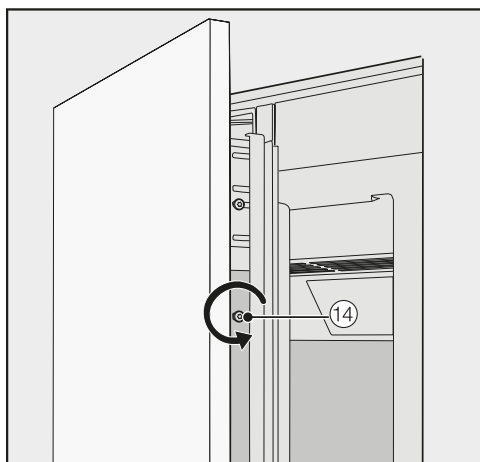
Installing the wine conditioning unit



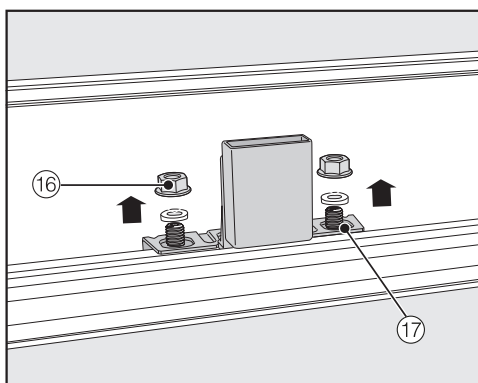
- Remove the covers 13 from both sides of the appliance door.



- Remove the cover 15 from the light contact switch.

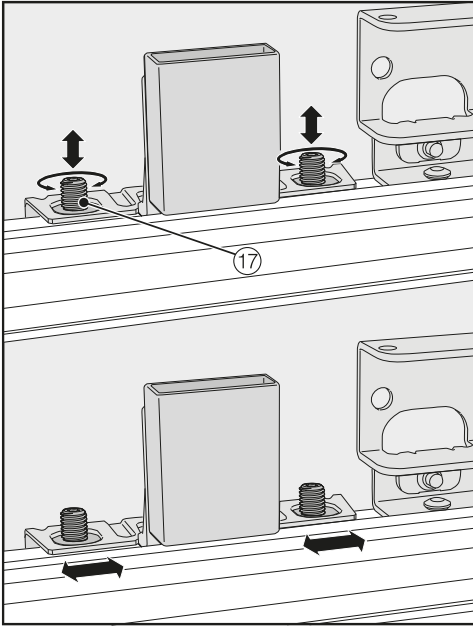


- Slightly loosen the screws 14 in the angle trims on both sides.

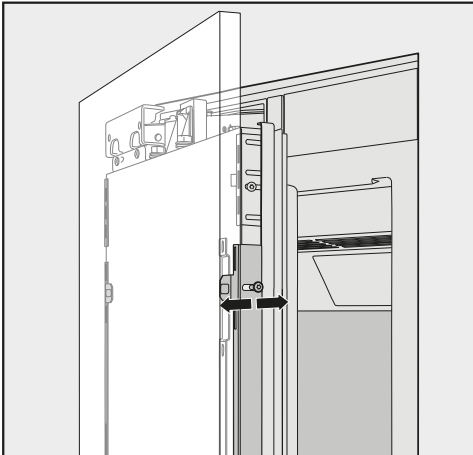


- Remove the nuts 16 and washers from the threaded bolts 17.

Installing the wine conditioning unit

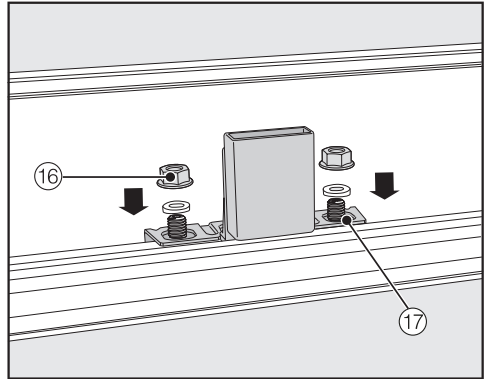


- Align the height and sides of the appliance door using the threaded bolts 17.



- If necessary, also align the depth of the appliance door via the gaps in the angle trims.

- Close the appliance door and check the distance between the door and adjacent cabinetry fronts again.
- Then re-tighten all screws 12 and 14.

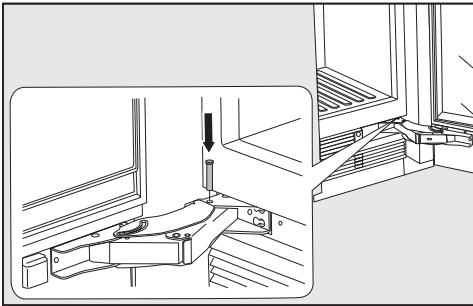


- Place the washers and nuts 16 back on the threaded bolts 17 and tighten the nuts. The appliance door is now secured.
- Reattach the covers 11, 13, and 15.
- Remove the spacers 6 from the appliance door.

Adjusting the door opening angle (optional accessory)



Depending on the installation site, it may be necessary to adjust the door opening angle to 90°.



- Open the door.
- Insert the banking pin through the holes and drive in with a hammer.

The door opening angle is now limited to 90°.

Electrical connection



Risk of electric shock!

The wine conditioning unit must only be switched on when it has been installed in accordance with the installation instructions.

Ground the wine conditioning unit.

The wine conditioning unit must not be grounded via a gas pipe.

If in doubt, have a suitably qualified and experienced electrician check that the wine conditioning unit complies with relevant regulations.

Do not install a fuse into neutral current or grounding electrical circuit.

Do not use an extension cord or power bar.

Do not use a frayed or damaged power cord.



Risk of electric shock!

For protection against electric shock, this wine conditioning unit is equipped with a pole-free plug which is protected against reverse polarity. The plug must be grounded in the usual way.

Do not remove the round grounding connector pin from the plug.

Use only a grounded plug adapter.

Wait for 1 hour after installation before plugging the wine conditioning unit into the power supply. This allows coolant and refrigerator oil to settle in accordance with regulations.

Ensure that the voltage of the power supply corresponds to the connection voltage of the wine conditioning unit. A power supply of 110–120 V, 60 Hz and 10–16 Amps, which is protected by a power switch or a fuse, is required to operate the wine conditioning unit.

The manufacturer recommends operating the wine conditioning unit on a separate circuit to avoid overloading the electrical circuit.

All relevant legal electrical, fire, and building regulations must be observed when installing the outlet and/or the Wine Storage Unit.

In certain countries, wine conditioning units are required to be connected to the electrical supply via a wall-mounted ON/OFF switch.

To avoid the risk of fire, electric shock, or other injuries, the wine conditioning unit must be installed and connected by a suitably qualified electrician in accordance with all relevant local and national regulations and standards, including fire prevention.

The outlet must be easily accessible so that the wine conditioning unit can be quickly disconnected from the electrical supply in case of an emergency.

If the outlet is no longer accessible after installation, an additional means of disconnection must be provided for all poles. Suitable means of disconnection include switches with an all-pole contact gap of at least 3 mm. These can be circuit breakers, fuses, and relays.

The plug and power cord must not come into contact with the back of the Wine Storage Unit as vibrations can cause damage to these components. This could result in a short circuit.

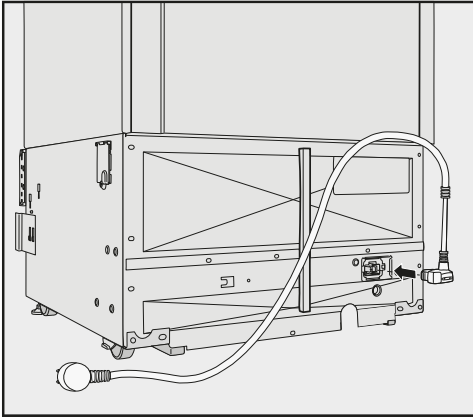
Do not plug in other appliances behind the wine conditioning unit.

Do not connect the wine conditioning unit to a stand-alone inverter such as those used with an autonomous energy source; for example, **solar power**. When the wine conditioning unit is switched on, power surges could result in a safety switch-off. The electronic unit could be damaged. The wine conditioning unit must **not** be used with what are known as **energy-saving devices** either. These reduce the amount of energy supplied to the unit, causing it to overheat.

If the power cord needs to be replaced, this must be done by a qualified technician.

Electrical connection

Connecting the wine conditioning unit



- Insert the plug into the back of the wine conditioning unit.

Make sure that the plug has clicked into position correctly.

- Insert the plug into the electrical outlet and switch on.

The wine conditioning unit is now connected to the electricity supply:

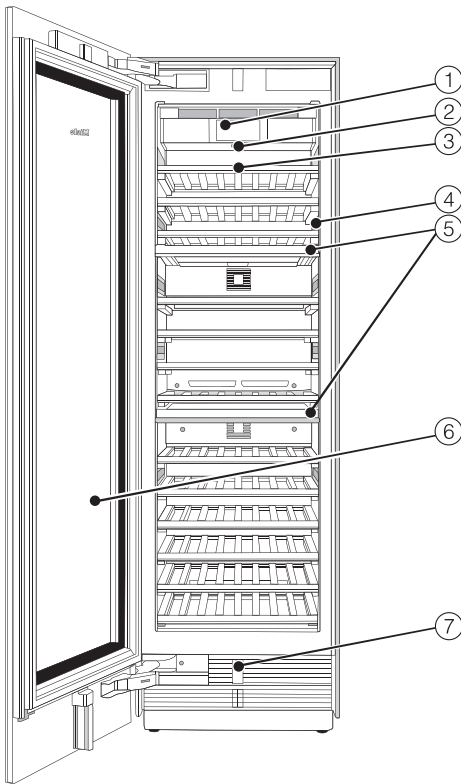
Follow the steps described in “Switching the appliance on and off”, section “Switching on the appliance”.

How to save energy

	Normal energy consumption	Increased energy consumption
Installation / Maintenance	In a well-ventilated room.	In an enclosed, poorly ventilated room.
	Protected from direct sunlight.	In direct sunlight.
	Away from heat sources (radiator, range/oven).	Near a heat source (radiator, oven).
	Where the ideal room temperature is approx. 68°F (20°C).	Where the ambient room temperature is above 77°F (25°C).
	Air vents uncovered and dusted regularly.	Where the ventilation openings are blocked and full of dust.
Temperature setting	50° to 54°F / 10° to 12°C	The lower the temperature in the appliance, the higher the energy consumption.

How to save energy

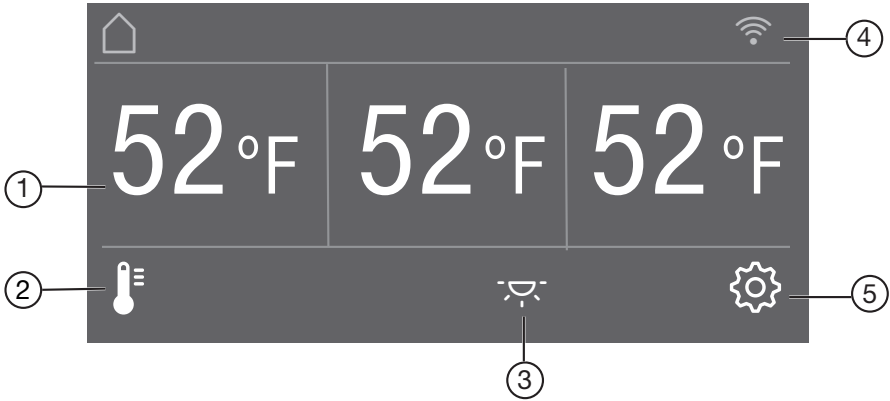
	Normal energy consumption	Increased energy consumption
Use	Wooden shelves arranged as they were when the appliance was delivered.	
	Only open the door when necessary and for as short a time as possible. Store wine bottles in an organized way.	Frequent opening of the door for long periods will cause a loss of coldness. The wine conditioning unit works harder to cool down and the compressor runs for longer periods.
	Do not overfill the appliance in order to allow the air to circulate.	Poor air circulation will cause a loss of coldness.



- ① Display
- ② On/Off switch
- ③ Wooden shelves with labels
- ④ Interior lighting
- ⑤ Isolator plate for thermal separation of the wine conditioning zones
- ⑥ Glass door with UV filter
- ⑦ Automatic door opening (Push2Open/ Pull2Open mechanism)

Guide to the appliance




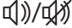









Start screen



- ① Temperature display (target temperature) for the three wine conditioning zones
- ② 🌡️ sensor
For setting the temperature and humidity Δ
- ③ 🚪 sensor
For switching the interior lighting on and off when the door is closed
- ④ Display for Miele@home connection status
(only visible when Miele@home has been set up)
- ⑤ Sensor control ⚙️
for adjusting various settings in settings mode

Settings mode

The following icons can be selected in settings mode:

Symbol		Function
	Language	Set
	Display Brightness	Adjust (darker to brighter)
	Color Scheme	Set (dark or bright)
	Buzzer Tones	Adjust the volume or switch off the Buzzer Tones completely (e.g., for the door alarm)
	Keypad Tone	Adjust the volume or switch off the Keypad Tone completely
°F/° C	Temperature Unit	Set (°Fahrenheit or ° Celsius)
	Keypad Lock	Switch on or off (see “Selecting additional settings”)
	Self Test	The system restarts and is checked for faults or malfunctions (see “Selecting additional settings”)
	Door Assistant	Switch on (Push2Open or Pull2Open) or switch off (see “Selecting additional settings”)
@	Miele@home	Set up, deactivate, or query WiFi connection status (see “Selecting additional settings”)
	Demo Mode	Switch off * (only visible when Demo Mode, is switched on see “Selecting additional settings”)
	Factory Default	Reset to default settings (see “Selecting additional settings”)
	Ambient Lighting	Choose between 5 different settings for ambient lighting (see “Selecting additional settings”)
	Ambient Display	Set the appearance of the display when the door is closed (see “Selecting additional settings”)
	Sabbath Mode	Switch on or off (see “Selecting additional settings”)

Guide to the appliance

Symbols in settings mode

</>	Scroll in settings mode or select a setting
-/+	Change a setting (e.g., display brightness)
OK	Confirm a setting
↶	Exit the menu level

Accessories supplied

Appliance plug

Chalk

Use the chalk supplied to write on the magnetic strips on the wooden shelves for easy identification of the wines in storage.

Stainless steel front panels

Stainless steel front panels in stainless steel-look give your appliance a high-quality appearance.

Optional accessories

A range of useful Miele accessories and care products are available for your wine conditioning unit.

Side-by-side merging kit and top frame (KTF)

For installing two or more appliances next to each other.

Optional accessories are available from Miele, your Miele dealer or online via the Miele website.

Before first use

Before first use

Allow the wine conditioning unit to stand for approx. 1 hour prior to connecting it to the power supply. This will help prevent any malfunctions.

Packaging material

- Remove all packaging material from the inside of the wine conditioning unit.

Leftover tape residue.
Always remove all packaging material, including adhesive tape, **before** switching on the wine conditioning unit.


Cleaning

Please refer to the relevant instructions in “Cleaning and care”.

- Clean the inside of the wine conditioning unit and the accessories.

Choosing the right Door Assistant (Push2Open/Pull2Open)

The Door Assistant helps you to open the appliance door.

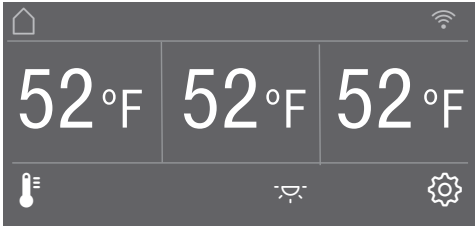
You can choose between the two Door Assistants Push2Open and Pull2Open (see “Switching on Door Assistant ” in “Selecting additional settings”).

The default Door Assistant is Push2Open.

- Select the Pull2Open Door Assistant if your appliance has a cabinet front with a handle.
- Select the Push2Open Door Assistant if your appliance has a handle-free cabinet front.


Using the wine conditioning unit

The touch display can be scratched by pointed or sharp objects, e.g., pens.
Only touch the display with your fingers.
If your fingers are cold, the touch display may not react.





The symbols underneath the temperature display can be **selected** directly by touch; the symbols and text in or above the temperature display can only be **displayed**.

... in settings mode

- Touch the symbol  to open settings mode.
- Use the arrow buttons < and > to select the function whose settings you wish to adjust.
- Confirm your selection with **OK**.
- Adjust the settings using either the arrow buttons < and > or sensors + and -.
- Confirm your selection with **OK**.

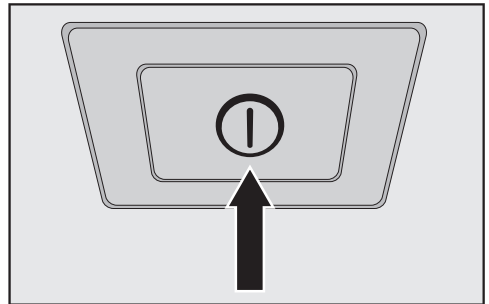
The setting with the **colored** background is always the **selected** setting; it can be confirmed directly with **OK**.

- Select  if you wish to switch to the previous menu level or terminate the process.

Every touch of the display is confirmed with an audible keypad tone. You can switch off this keypad tone in settings mode .

Starting up for the first time



- Open the door of the wine conditioning unit.



- Turn the wine conditioning unit on by pressing the On/Off switch.

The wine conditioning unit will start to cool and the interior lighting will come on when the appliance door is opened.

Miele will then appear in the appliance display.

- When you turn the wine conditioning unit on for the first time, you will be asked to make following settings:
 - Set the Language
(if you accidentally select the wrong Language, return to settings mode  and use the symbol  to change the language),
 - Set Temperature Unit: °C (degrees Celsius) or °F (degrees Fahrenheit),

Before first use

- Set up Miele@home:
 - Select **Continue** if you wish to set up Miele@home now (to do this, following the instructions under “Selecting additional settings”, section “Set up Miele@home”).
 - Select **Skip** if you would prefer to set up Miele@home later.
 - Use the **<** and **>** arrow buttons to select the correct setting and touch **OK** to confirm your selection.
 - Select **↶** if you want to return to the previous menu level.

Set-up **Successfully Completed** appears in the display.

- Confirm the first use with **OK**.

Your appliance has been successfully set up and is ready for use.

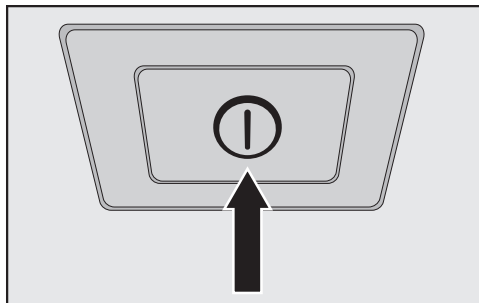
The main screen appears on the display.

You cannot terminate the initial start-up process. The only way to terminate the process is to switch off the appliance, though the process will continue when the wine conditioning unit is switched back on.

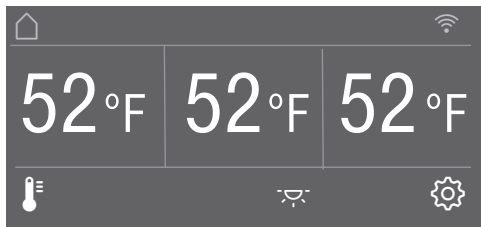
Switching the wine conditioning unit on and off

Switching on the wine conditioning unit

- Open the door of the wine conditioning unit.



- Turn the wine conditioning unit on by pressing the On/Off switch.



The wine conditioning unit will start to cool and the interior lighting will come on when the appliance door is opened.

Miele will then appear on the main screen in the appliance display.

Switching the wine conditioning unit off

- Turn the wine conditioning unit off by pressing the On/Off switch.

The cooling and interior lighting are switched off.

Please note: The wine conditioning unit is not disconnected from the power supply when the On/Off switch is in the “Off” position!


Turning off for longer periods of time


If the wine conditioning unit will not be used for a longer period of time,


- turn off the wine conditioning unit,
- unplug the power cord or trip the circuit breaker,
- clean the wine conditioning unit and
- leave the door ajar to air the wine conditioning unit and avoid odors building up inside it.

If, during a long absence, the wine conditioning unit is turned off but not cleaned and the door left shut, there is a risk of mildew building up inside the wine conditioning unit.

Selecting additional settings


In Settings mode , certain settings can be adjusted and functions selected, allowing you to adjust the Wine Storage Unit to suit your requirements.


Only the functions in settings mode  that require further explanation are described below.

The door alarm and other warnings are automatically disabled when the appliance is in settings mode .


The display is unlocked briefly so you can adjust the settings as required. Closing the door of the wine conditioning unit will reactivate the keypad lock.

Switching Keypad Lock on or off /

Switch on Keypad Lock if you wish to protect your wine conditioning unit from unwanted temperature changes or other unintentional adjustments in settings mode .

- In settings mode , use the < and > arrow buttons to select Keypad Lock and touch *OK* to confirm your selection.
- Use the arrow buttons < and > to switch the keypad lock On or Off and confirm your selection with *OK*.
- The keypad lock will not be activated until you close the door of the wine conditioning unit.

Nothing will appear in the display to indicate that the keypad lock is switched on.



The message *Press OK for 6 seconds to unlock* will appear in the display if you select a sensor control while the keypad lock  is switched on.

- Follow the instructions on the display.

Selecting additional settings

Performing a Self Test

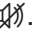
Perform a Self Test if you are concerned that your wine conditioning unit is not working properly and want to check if it is suffering from any problems.

- In settings mode , use the < and > arrow buttons to select Self Test and select OK to confirm your selection.
- Touch the sensor control  if you wish to terminate the process.

The Self Test starts and the wine conditioning unit is checked for any faults or malfunctions.

- The message System Restarting appears in the display if the Self Test does not discover any faults or malfunctions.
- If the Self Test does discover any faults or malfunctions, they are indicated as error messages in the display.

An alarm also sounds.

- If you find the alarm disruptive, you can switch it off in advance by touching the sensor control .
- Make a note of the error message(s) displayed.
- Contact Technical Service and inform them of the error message(s) on the display.
- Confirm the message with OK.

System Restarting appears in the display.

The appliance briefly switches off and then back on automatically.

Self test completed appears in the display.

- Confirm the message with OK.

The main screen appears on the display again.

Switching on Door Assistant

You can choose between the two Door Assistants Push2Open and Pull2Open. The default Door Assistant is Push2Open.


The Push2Open Door Assistant is suitable for cabinet fronts without handles. The door will then open automatically when you gently press against it.

The Pull2Open Door Assistant is suitable for cabinet fronts with handles. The appliance door can be opened easily with little force.


When the Door Assistant is switched on, repeatedly closing the appliance door early can lead to damage or malfunctions.

Refrain from holding onto or closing the appliance door while automatic door opening is still extended. If you have indeed closed the appliance door, leave it closed for 5 minutes. Automatic door opening resets itself.

Switching on Push2Open



- In settings mode , use the < and > arrow buttons to select Door Assistant and select OK to confirm your selection.
- Use the < and > arrow buttons to select Mode and touch OK to confirm your selection.
- Use the < and > arrow buttons to select Push2Open and touch OK to confirm your selection.

Selecting additional settings

- Touch the  sensor control to return to the previous menu level.



- Adjusting the intensity

You can also adjust the intensity of the Push2Open function. The lower the intensity, the less force required when pushing against the door.

- In settings mode , use the < and > arrow buttons to select Door Assistant and select OK to confirm your selection.
- In settings mode , use the < and > arrow buttons to select Intensity and select OK to confirm your selection.
- Use the < and > arrow buttons to select the desired intensity (Low, Medium, High) and touch OK to confirm your selection.



- Adjusting the duration of the AutoClose function

You can also adjust the duration for how long the appliance door will remain open until it closes automatically.

- In settings mode , use the < and > arrow buttons to select Door Assistant and select OK to confirm your selection.
- In settings mode , use the < and > arrow buttons to select AutoClose and select OK to confirm your selection.
- Use the + and - sensor controls to select the duration (5 to 30 seconds) and touch OK to confirm your selection.



To protect against inadvertent opening: if you do not pull the appliance open, it will close again by itself after a duration defined by you (see “Set AutoClose duration”).

Pull2Open

- In settings mode , use the < and > arrow buttons to select Door Assistant and select OK to confirm your selection.
- Use the < and > arrow buttons to select Mode and touch OK to confirm your selection.
- Use the < and > arrow buttons to select Pull2Open and touch OK to confirm your selection.
- Touch the  sensor control to return to the previous menu level.



- Adjusting the intensity

You can also adjust the intensity of the Pull2Open function. The lower the intensity, the less force is required when pulling the door.

- In settings mode , use the < and > arrow buttons to select Door Assistant and select OK to confirm your selection.
- In settings mode , use the < and > arrow buttons to select Intensity and select OK to confirm your selection.
- Use the < and > arrow buttons to select the desired intensity (Low, Medium, High) and touch OK to confirm your selection.

Selecting additional settings

Switching off Door Assistant

- In settings mode , use the < and > arrow buttons to select Door Assistant and select *OK* to confirm your selection.
- Use the < and > arrow buttons to select Mode and touch *OK* to confirm your selection.
- Use the < and > arrow buttons to select Off and touch *OK* to confirm your selection.
- Touch the  sensor control to return to the previous menu level.

Setting up Miele@home

Your wine conditioning unit is equipped with an integrated WiFi module.

Connectivity is deactivated at the factory.

To use this feature, you will need:

- a WiFi network
- the Miele@mobile app
- a Miele user account. The user account can be created via the Miele@mobile app.

The Miele@mobile app will guide you as you connect your wine conditioning unit to your home WiFi network.

Once your wine conditioning unit is connected to your WiFi network you can use the app to carry the following activities, for example:

- Make certain settings on your wine conditioning unit
- Display information on the operating state of your wine conditioning unit
- Set up a Miele@home network with additional WiFi-capable Miele appliances

Connecting your wine conditioning unit to your WiFi network will increase energy consumption, even when the wine conditioning unit is switched off.

Make sure that the signal of your WiFi network is sufficiently strong in the place where you want to set up your wine conditioning unit.

Selecting additional settings

Miele@mobile app

The Miele@mobile app is available to download free of charge from the Apple App Store® or from the Google Play™ Store.



Please observe and follow the safety information and warnings in these operating instructions including when you are operating your wine conditioning unit with the Miele@mobile app.

Availability of the WiFi connection

The WiFi connection shares a frequency range with other appliances (including microwave ovens and remote control toys). This can cause sporadic or even complete connection failures. Therefore, the availability of featured functions cannot be guaranteed.

Miele@home availability

The ability to use the Miele@mobile app depends on the availability of the Miele@home service in your country.

The Miele@home service is not available in every country.

For information about availability, please visit www.miele.com.

Connecting your wine conditioning unit via the Miele@mobile app

You will also require the following to log in:


- the password to your WLAN network
- the password to your appliance

Your appliance's password is its serial number, which can be found on the data plate.

You will find the data plate inside your wine conditioning.



If your serial number is “78000001” for example, your password will be “78000001”.

- In settings mode , use the < and > arrow buttons to select Miele@home and select OK to confirm your selection.


Set up will appear in the display.

- Confirm your selection with OK.
- Use the < and > arrow buttons to select via the App and touch OK to confirm your selection.
- Open the Miele@mobile app and follow the instructions in the app.

Selecting additional settings


- As soon as your wine conditioning has been integrated into your WLAN network, the message **Connection successful** appears in your appliance's display.

- Confirm the process with *OK* again.

If the WLAN connection is active,  will appear in the display.

Connecting your Wine Storage Unit via WPS

Your router must be equipped with the WPS function for this connection option.


- In settings mode , use the < and > arrow buttons to select **Miele@home** and select *OK* to confirm your selection.

Set up will appear in the display.

- Confirm your selection with *OK*.
- Use the < and > arrow buttons to select **via WPS** and touch *OK* to confirm your selection.
- Now follow the instructions in the display.
- Confirm the process with *OK*.


To be able to use the Miele@home functions, you also have to register your Wine Storage Unit in the app.

- As soon as your Wine Storage Unit has been integrated into your home network via WPS, the message **Connection successful** appears in the display.
- Confirm the process with *OK* again.

If the WLAN connection is active,  will appear in the display.

Selecting additional settings


Deactivating Miele@home

- In settings mode , use the < and > arrow buttons to select Miele@home and touch *OK* to confirm your selection.
- Use the < and > arrow buttons to select *Deactivate* and touch *OK* to confirm your selection.

Deactivation successful appears in the display.


- Confirm the message with *OK*.

Your Wine Storage Unit is now disconnected from your WLAN network.

The  symbol will go out in the display.


Activating Miele@home

If you have already activated Miele@home and then disconnected the connection, you can still reactivate the connection.


- In settings mode , use the < and > arrow buttons to select Miele@home and touch *OK* to confirm your selection.
- Use the < and > arrow buttons to select *Activate* and touch *OK* to confirm your selection.

Activation successful appears in the display.





- Confirm the message with *OK*.

If the WiFi connection is active,  will appear in the display.

Checking the WLAN connection status

- In settings mode , use the < and > arrow buttons to select Miele@home and select *OK* to confirm your selection.
- Use the < and > arrow buttons to select *Connection status* and touch *OK* to confirm your selection.


Information about the WLAN connection status will then appear in the display:

-  connected: there is a strong connection,
-  connected: there is an average connection,
-  connected: there is a weak connection,
- : disconnected.

Selecting additional settings

Setting up Miele@home again

If you have changed your WiFi network, you can set up Miele@home again for your Wine storage Unit.


- In settings mode , use the < and > arrow buttons to select Miele@home and select **OK** to confirm your selection.
- Use the < and > arrow buttons to select **Set up again** and touch **OK** to confirm your selection.


Reset configuration? appears on the display.

- Use the < and > arrow buttons to select **Yes** or **No** and touch **OK** to confirm your selection.

Switching off Demo Mode

Demo mode allows the Wine Storage Unit to be presented in the showroom **without the cooling system being switched on**. Do not activate this setting for domestic use.

If Demo mode has been switched on as a default setting,  will show in the display.

- In settings mode , use the < and > arrow buttons to select **Demo Mode** and select **OK** to confirm your selection.

Press **OK** for 4 seconds to deactivate appears in the display.

- Follow the instructions on the display and touch and hold the sensor control **OK** for 4 seconds.

The countdown Demo Mode will deactivate in seconds. will appear in the display.

Demo Mode deactivated. The appliance will cool down. appears in the display.


- Confirm the message with **OK**.

The main screen appears in the display again.

Selecting additional settings

Resetting the settings to their default settings

You can reset the appliance's settings to their default settings.






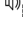










- In settings mode , use the < and > arrow buttons to select **Factory Default** and select **OK** to confirm your selection.
- Use the < and > arrow buttons to select **Reset** and touch **OK** to confirm your selection.

After a brief delay, **Settings Reset** appears in the display.

- Confirm the message with **OK**.


The initial start-up process restarts (see “Starting up for the first time”).

The appliance's settings will be reset to the following values:

Function	Default settings
 Language	English
 Display Brightness	Average value (4 of 7 segments)
 Color Scheme	Dark
 /  Buzzer Tones	Average value (4 of 7 segments)
 /  Keypad Tone	Average value (4 of 7 segments)
°F / °C Temperature Unit	°Fahrenheit
 /  Keypad Lock	Switched off
 Door Assistant	Push2open
 Miele@home	Switched off
 Ambient Lighting	Ambient 2
 Ambient Display	Temperature display
 Sabbath Mode	Switched off
 Humidity	Not increased
 Temperature in the wine section	52°F (11°C)


Switching Sabbath Mode On/Off


The Wine Storage Unit offers a Sabbath Mode for the purposes of religious observance.


If Sabbath Mode is switched on,  appears in the display.

When Sabbath Mode is switched on, you cannot make any settings on your Wine Storage Unit.

Ensure that the appliance door is properly closed, as visual and audible alarms are switched off in Sabbath mode.

- In settings mode , use the < and > arrow buttons to select Sabbath Mode and select *OK* to confirm your selection.
- Use the < and > arrow buttons to select On or Off and touch *OK* to confirm your selection.


When Sabbath Mode is switched on,  appears in the display and the display brightness is reduced (the display does not change when the appliance door is closed).

When Sabbath Mode  is switched on, the following functions are switched off:

- Door Assistant
(for cabinet fronts without handles, the appliance door will have to be pulled from the bottom or side)
- Lighting
- All audible and visual signals,
- Temperature display

- The ambient lighting
(if previously switched on)

You can still select:

- The sensor control for Settings Mode  so that Sabbath mode can be switched off.

The Sabbath Mode function will switch off automatically after approx. 125 hours.

Selecting additional settings


Switching the ambient lighting on or off

The interior lighting can be set to remain on when the appliance door is closed so your wines can be on display at all times.

Each wine conditioning zone has its own light so that your Wine Storage Unit is lit up to maximum effect.


- Touch the  sensor on the display so that it is highlighted in color.
- Close the door.

The interior lighting now remains on even when the door is closed.


- To switch the ambient lighting off, touch the  sensor so that it is no longer highlighted in color.

The interior lighting is now switched off when the appliance door is closed.

Selecting the intensity of the Ambient Lighting

You can set the intensity of the Ambient Lighting in settings mode .

You can also choose the wine conditioning zones in which the Ambient Lighting should be switched on.

- In settings mode , use the < and > arrow buttons to select Ambient Lighting and select *OK* to confirm your selection.
- Use the < and > arrow buttons to select the correct setting (Ambience 1 – Ambience 5).
 - Ambience 1 – Ambience 3: Weak to strong lighting in all wine conditioning zones
 - Ambience 4: Only the lighting in the wine conditioning zone in the center is switched on
 - Ambience 5: The lighting in the wine conditioning zone in the center is stronger than the lighting in the top and bottom wine conditioning zones.
- Confirm your selection with *OK*.
- Close the door.

The ambient lighting is set as per your selections.

Thanks to the use of LED lighting, the wine will not be adversely affected by heat or UV light.




Caution! Laser beam class 1M

Do not remove the lighting covers. If the covers are damaged or need to be removed due to damage, do not use optical instruments (magnifying glass or similar) to look at the lighting.

Selecting Ambient Display

You can choose what the display should look like when the appliance door is closed.

- In settings mode , use the < and > arrow buttons to select Ambient Display and select *OK* to confirm your selection.
- Use the < and > arrow buttons to select the required display settings:
 - Temperature display
 - Miele logo
 - Display switched off completely.
- Confirm your selection with *OK*.

The display settings you have selected are now active when the appliance door is closed.

As soon as you open the door, the main screen appears in the display in the usual way.

The ideal temperature and humidity

Wine continues to mature depending on the surrounding conditions. The length of time for which wine can be kept in good condition will therefore depend not only on the temperature but also on the air quality.

The wine conditioning unit with its constant ideal temperature, increased air humidity and odor-free atmosphere offers the perfect conditions for storing your wine.

The wine conditioning unit also guarantees a vibration-free environment (in contrast to a refrigerator) so that the maturing process is not disturbed.

Temperature

Wine can be stored at a temperature between 42° and 64°F (6° and 18°C). If you are storing white and red wines together, select a temperature between 53° and 57°F (12° and 14°C). This is suitable for both white and red wines. Red wine should be taken out of the wine conditioning unit and opened at least two hours before drinking to allow it to breathe and develop its aroma.

At too high a temperature (over 72°F / 22°C), wine matures too quickly, which prevents the aromas from developing further. Wine cannot mature fully at too low a temperature (below 41°F / 5°C).

Fluctuations in temperature put wine under stress and interrupt the maturing process. It is therefore very important to maintain a constant temperature.

Type of wine	Recommended drinking temperature
Light, fruity red wines:	57° to 61°F (14° to 16°C)
Full-bodied red wines:	64°F (18°C)
Rosé wines:	46° to 50°F (8° to 10°C)
Delicate, aromatic white wines:	46° to 54°F (8° to 12°C)
Full-bodied or sweet white wines:	46° to +57°F (12° to 14°C)
Champagne, sparkling white wines:	43° to 50°F (6° to 10°C)

Tip: Store the wine 1° or 2° cooler than the recommended drinking temperature as it warms up a little when poured into the glass.

Tip: Full-bodied reds should be opened for 2-3 hours before drinking to allow it to breathe and develop its aroma.


Tip: We recommend removing the oxygen from opened bottles of wine to avoid loss of aroma and taste, as well as spoiling. Special devices (a wine pump with bottle stopper, for example) create a vacuum by extracting the air.

The ideal temperature and humidity

Isolator panels for thermal separation

The Wine Storage Unit has two fixed isolator panels that divide the interior into three zones, which can be conditioned in different ways. This means that you can store up to three different types of wine at the same time – for example, red wine, white wine, and champagne.

Setting the temperature

- Touch the  symbol for setting the temperature in the display.

The previously set temperatures are displayed.

- Use the < and > arrow buttons to select the temperature of the required wine conditioning zone and touch *OK* to confirm your selection.
- Use the + and – sensors to set the temperature. Keeping your finger on the sensor changes the temperature continuously.
- Confirm the temperature setting with *OK* or wait approx. 8 seconds after touching the sensor for the last time. This temperature will be automatically adopted.

Tip: The new temperature setting can also be confirmed and adopted by closing the appliance door.

The temperature display always shows the **required** temperature.

If you have adjusted the temperature, **wait for approx. 6 hours if the Wine Storage Unit is not very full and for approx. 24 hours if the Wine Storage Unit is full** before checking the temperature display. It will take this long for an accurate reading to be given.

- If, after this time, the temperature is still too high or too low, adjust it again.

Temperature range

In all three zones, it is possible to set temperatures between 41°F and 68°F (5°C and 20°C).

The ideal temperature and humidity

Humidity

In most refrigerators the humidity is too low for wine and therefore a refrigerator is not suitable for wine storage. Higher humidity levels are necessary when storing wine to moisturize natural corks from the outside. When the humidity is too low the natural corks dry out and the bottle is no longer tightly sealed. For this reason wine bottles should always be stored horizontally to ensure that natural corks are also moisturized from the inside. If air gets into the bottle, this will have a negative impact on the wine!

Tip: Humidity levels can be set separately for each wine conditioning zone. Always increase the humidity level in a wine conditioning zone whenever you are using it to store wine bottles sealed with natural corks.



Risk of damage caused by excess moisture

This will lead to condensation on the interior walls, which can cause corrosion damage.

Do **not** introduce additional moisture into the air, e.g., by placing a dish of water inside the Wine Storage Unit.

Increasing the humidity δ

If you have set a higher level of humidity, the fans will switch on automatically. This will distribute the humidity and the temperature evenly around the Wine Storage Unit so that you can store all your wine under the same excellent conditions. The fans switch off automatically when the appliance door is opened and remain switched off for as long as it is kept open.

- Touch the °F symbol for setting the temperature in the display.
- Use the < and > arrow buttons to select the required wine conditioning zone and touch OK to confirm your selection.
- Touch the δ button in the display.

The δ button will then be highlighted in color.

- Confirm your selection with OK or wait approx. 8 seconds after touching the button for the last time. The setting will be automatically adopted.

Not increasing the humidity δ

- Touch the °F symbol for setting the temperature in the display.
- Use the < and > arrow buttons to select the required wine conditioning zone and touch OK to confirm your selection.
- Touch the δ button in the display.

The δ button will then no longer be highlighted in color.

The ideal temperature and humidity

- Confirm your selection with *OK* or wait approx. 8 seconds after touching the button for the last time. The setting will be automatically adopted.

Door alarm

An alarm will sound if the appliance door has been left open for longer than approx. 2 minutes.

The message *Close the door* also appears in the display.

As soon as the door is closed, the alarm will stop and the message in the display will go out.

Turning the door alarm off early

If the alarm disturbs you, it can be turned off early.


- Touch the *OK* sensor control in the display.

The alarm stops and the message disappears from the display.


After a certain time the alarm will sound again and the message will reappear in the display until the appliance door is closed.

Storing wine bottles

Always observe USDA food safety guidelines.

 **WARNING! Fire hazard!**

Do not operate any electrical equipment inside the wine conditioning. This can cause sparking.

 **Risk of damage and injury!**

If wooden shelves and bottles protrude too far forwards, they will damage the glass door when it is closed. Please ensure that the wooden shelves and wine bottles do not protrude.

Vibration and movement have a negative effect on the maturing process which can in turn affect the taste of the wine.

To avoid disturbing other bottles when removing a bottle of wine, store bottles of the same type beside each other on the same shelf. Avoid stacking bottles on top of one another on the wooden shelves.

Always place the bottles in a horizontal position so that the natural corks can be kept moist on the inside and air is prevented from getting into the bottles.

Tip: We also recommend increasing the humidity level inside the Wine Storage Unit for wine bottles with natural corks (see “Increasing the humidity δ ” in “The ideal temperature and humidity”).

Do not cover the vents in the rear wall, as they are essential for keeping the appliance cool.

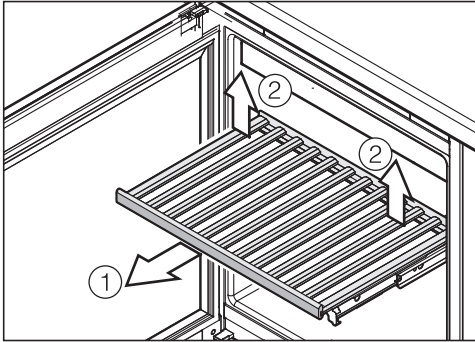
 **Danger of injury!**

Take care that wine bottles do not fall out of the appliance when a wooden shelf is pulled out. Wine bottles could also become wedged in the shelf above.

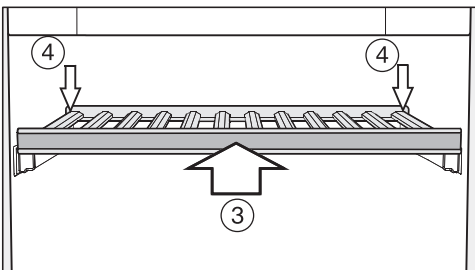
Storing wine bottles

Moving the wooden shelves

The wooden shelves can be removed and replaced again if required.



- Pull the wooden shelf out until it stops ①.
- Release the wooden shelf at the back, lifting the shelf on the left and right at the same time ②.
- Lift the wooden shelf forwards to remove it.

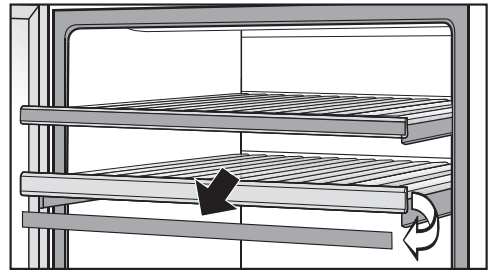


- Slide the wooden shelf back into the appliance as far as it will go ③.
- Push the wooden shelf right back so that it clicks into place at the front.
- Press down on the back of the wooden shelf so that it clicks into place at the back ④.

Labeling the wooden racks

For quick and easy identification of the wines stored, you can write on the blackboard-painted surface of the strips on the wooden racks.

You can write directly on the strip or remove it from the wooden rack. To do so:



- Hold the strip by the sides and pull it forwards.
- The strip can be wiped clean with a damp cloth.

Risk of damage!

Use clean water only to wipe the strip. **Do not use a cleaning agent.** Doing so would damage the blackboard surface.

- Label the strip with the chalk supplied and replace it on the front of the wooden rack.

Maximum capacity




Risk of damage

Do not exceed the maximum load-bearing capacity of 77 lb (35 kg) for each wooden shelf. Do not stack bottles on the wooden shelves.


Up to 104 Bordeaux bottles (0.75 L (25.4 fl oz.)) can be stored in the Wine Storage Unit.

Automatic defrosting


 **WARNING! DANGER** of injury and damage!

Do not use any mechanical or other types of aids which are not recommended by the manufacturer to accelerate the defrosting process.

The wine conditioning unit defrosts automatically.

 **WARNING! DANGER** of electric shock!

Unplug the appliance or trip the circuit breaker.

 **WARNING! Fire hazard!**

Do not damage the coolant pipework.

Do not let water get into the electronic unit or the lighting.

Do not use a steam cleaning appliance to clean this wine conditioning unit. The steam could reach electrical components and cause a short circuit.

Do not remove the data plate located inside the wine conditioning. It contains information which is required in the event of a service call.

Cleaning agents

To avoid damaging the surfaces of your appliance, **do not** use

- Cleaning products containing soda, ammonia, acid, or chloride
- lime scale removers
- abrasive cleaning products, such as scouring powder, scouring liquid, or pumice stones,
- cleaners containing solvents
- stainless steel cleaners
- dishwasher detergent,
- Oven sprays
- glass cleaner (except on the glass in the appliance door)
- hard, abrasive sponges and brushes, such as pot scrubbers
- eraser sponges
- sharp metal scrapers.

Cleaning and conditioning agents used inside the wine conditioning unit must be food safe.

Use warm water and liquid dish soap.

The following pages contain important information on cleaning.

Cleaning and care

Before cleaning the Wine Storage Unit

- Switch the Wine Storage Unit off completely by pressing the selector dial.
- Unplug the appliance or switch off the breaker.
- Take any wine bottles out of the Wine Storage Unit and store them in a cool place.
- Take out all other removable parts for cleaning (see “Moving the wooden shelves” in “Storing wine bottles”).
- Remove the magnetic strips from the wooden shelves before cleaning them (see “Labeling wooden shelves” in “Storing wine bottles”).

Interior, accessories, and appliance door

Clean the Wine Storage Unit regularly, or at least once a month. Clean up any spills, stains, or food immediately. Do not allow them to dry and stick to the appliance.

- Clean the interior with a solution of lukewarm water and liquid dish soap. Rinse all parts by hand. Do not wash in a dishwasher.
- After cleaning, wipe with clean water and dry with a soft cloth.
- The wooden shelves should only be wiped with a well wrung-out damp cloth. They must **not** be allowed to get wet.




Risk of damage

Please follow the instructions below for the magnetic strips to avoid damage during cleaning.

- Use clean water only to wipe the magnetic strips at the front of the wooden shelves. Do **not** use a cleaning agent. Doing so would damage the blackboard surface.
- Leave the Wine Storage Unit open to air it sufficiently for a short while and to prevent odor buildup.
- Clean the glass panes in the appliance door with a proprietary glass cleaner.

Appliance front

The appliance front has a special high-quality finish (Clean Touch Steel). This is resistant to soiling and is very easy to clean.

 **Do not use stainless steel cleaning agent** on these surfaces, as it will damage the finish.

Do not use Miele stainless steel conditioning agent on these surfaces, as it will cause noticeable smearing.

If soiling is allowed to sit for any length of time, it may become impossible to remove.

Surfaces may be discolored or altered.

It is therefore best to remove soiling from the appliance front immediately.

All surfaces are easily scratched. Contact with unsuitable cleaning agents can alter or discolor the surfaces.

See the information on “Cleaning agents” at the beginning of this section.

- Clean the surfaces with a clean sponge and a solution of warm water and liquid dish soap. A clean, damp microfiber cloth without cleaning agent can also be used for cleaning.
- After cleaning, wipe with clean water and dry with a soft cloth.

Cleaning the door seal

Do not use any grease or oil on the door seal as these will cause the seal to deteriorate and become porous over time.

- The door seal should be cleaned regularly with clean water and then wiped thoroughly dry with a soft cloth.

Cleaning and care

Cleaning the ventilation grilles

A build-up of dust will increase the energy consumption of the appliance.

- The air vents should be cleaned on a regular basis with a brush or vacuum cleaner (you could use a Miele vacuum cleaner dusting brush, for example).

After cleaning


- Replace all parts in the wine conditioning unit.
- Reconnect to the power and switch the wine conditioning unit back on.
- Place the wine bottles back in the wine conditioning unit and close the door.

Frequently Asked Questions

With the help of the following guide minor faults in the performance of the machine, some of which may result from incorrect operation, can be remedied without contacting the Service Department.

This guide may help you to find the reason for the fault, and how to correct it.


To prevent cold from escaping, open the appliance doors as little as possible until the fault has been corrected.

Problem	Possible cause and solution
<p>If you are concerned that your appliance is not working properly, you can perform a Self Test. Your appliance will be checked for any faults or malfunctions.</p>	<p>Any errors identified during the Self Test are shown on the display.</p> <ul style="list-style-type: none"> ■ Perform a Self Test (see “Additional settings”, section “Performing a Self Test ”). ■ Contact Technical Service and inform them of the error message(s) on the display.
<p>The Wine Storage Unit is not getting cold and the interior lighting does not come on when the appliance door is opened.</p>	<p>The Wine Storage Unit is not switched on.</p> <ul style="list-style-type: none"> ■ Switch the Wine Storage Unit on. The temperature appears in the display. <p>The plug is not properly plugged into the electrical outlet.</p> <ul style="list-style-type: none"> ■ Insert the plug into the outlet. <p>The fuse has tripped. There could be a fault with the Wine Storage Unit, the household electrical wiring, or another appliance.</p> <ul style="list-style-type: none"> ■ Contact a technician or the Technical Service department.

Frequently Asked Questions


Problem	Possible cause and solution
<p>The compressor is turning on more frequently and for longer periods of time; the temperature inside the Wine Storage Unit is too low.</p>	<p>The ventilation gaps in the cabinetry have been covered or become too dusty.</p> <ul style="list-style-type: none"> ■ Do not block the ventilation grille. ■ Clean the ventilation grille on a regular basis to remove any dust. <p>The door has been opened too frequently, or a large number of bottles have been put inside the unit all at once.</p> <ul style="list-style-type: none"> ■ Only open the door when necessary and for as short a time as possible. <p>After a while, the temperature will return to normal by itself.</p> <p>The appliance door is not properly closed.</p> <ul style="list-style-type: none"> ■ Close the door. <p>After a while, the temperature will return to normal by itself.</p> <p>The ambient temperature is too high. The higher the ambient temperature, the longer the compressor has to run.</p> <ul style="list-style-type: none"> ■ See “Installation location” in “Installation information”. <p>The Wine Storage Unit has not been installed properly in the niche.</p> <ul style="list-style-type: none"> ■ See “Installing the Wine Storage Unit” in “Installation information”.
<p>The compressor comes on less and less often and for shorter periods of time. The temperature inside the Wine Storage Unit rises.</p>	<p>This is not a fault. The temperature setting is too high.</p> <ul style="list-style-type: none"> ■ Correct the temperature setting. ■ Check the temperature again after 24 hours.
<p>The compressor runs continuously.</p>	<p>Not a fault. To save energy, the compressor runs at a lower speed when less cooling is required. This increases the compressor run time.</p>
<p>An alarm sounds.</p>	<p>The door of the Wine Storage Unit has been open for longer than approx. 2 minutes.</p> <ul style="list-style-type: none"> ■ Close the door.

Frequently Asked Questions



Problem	Possible cause and solution
No alarm sounds despite the appliance door being open.	You have switched off the audible signal. ■ Switch the audible signal back on using Settings mode  .
The door of the Wine Storage Unit cannot be opened.	The Pull2Open Door Assistant is switched on but the Wine Storage Unit has a handle-free cabinet front. ■ For handle-free cabinet fronts, switch on the Push2Open Door Assistant (see “Switching on the Door Assistant” in “Selecting additional settings”).
The door cannot be opened when Sabbath Mode is switched on.	The Push2Open Door Assistant is switched on at the same time as Sabbath Mode. ■ When Sabbath Mode is switched on, the Door Assistant is deactivated. ■ Pull the door open from below or from the side.

Frequently Asked Questions

Messages in the display







Message	Possible cause and solution
An alarm sounds and a relevant fault message appears in the display.	The appliance door is open. ■ Close the appliance door.
	The temperature in the Wine Storage Unit has risen significantly. This could be due to, for example: <ul style="list-style-type: none">– the appliance door being opened too often, or being left open,– several wine bottles being put in at once,– a lengthy interruption to the power supply. ■ Rectify the cause of the alarm. The alarm stops and the fault message disappears from the display.
The warning sounds and the message <small>Close the door</small> appears in the display.	The appliance door is open. ■ Close the appliance door. ■ If you wish to turn the alarm off early, touch the sensor control <i>OK</i> in the display. The alarm will stop.
The temperature display is out and  is shown in the display.	Sabbath mode is switched on: The interior lighting is switched off and the Wine Storage Unit is cooling down. ■ You can switch off Sabbath mode at any time (see “Selecting additional settings – Switching Sabbath mode on and off”).

Frequently Asked Questions

Message	Possible cause and solution
<p>“F Please contact Miele Technical Service.” appears in the display and an alarm sounds.</p>	<p>There is a fault.</p> <ul style="list-style-type: none"> ■ Make a note of the fault message if necessary. ■ Contact Technical Service. ■ To turn the alarm off, touch the  symbol. <p>The error message does not disappear from the display until the error has been rectified.</p> <hr/> <p>The voltage level is too high/low.</p> <ul style="list-style-type: none"> ■ Observe the connection data under “Electrical connections”. ■ Contact Technical Service if necessary. ■ To turn the alarm off, touch the  symbol. <p>The error message does not disappear from the display until the error has been rectified.</p>
<p>■ is shown in the display. The machine does not get cold, but the machine controls are working.</p>	<p>Demo Mode ■ is switched on. Demo mode allows the appliance to be presented in the showroom without the cooling system being turned on. Do not activate this setting for domestic use.</p> <ul style="list-style-type: none"> ■ Switch off Demo mode ■ (see “Selecting additional settings”, section “Switching off Demo Mode ■”).

Frequently Asked Questions

The interior lighting is not working.

Problem	Possible cause and solution
<p>The interior lighting is not working.</p>	<p>The Wine Storage Unit is not switched on.</p> <ul style="list-style-type: none"> ■ Switch the Wine Storage Unit on.
	<p>Sabbath mode is switched on: The temperature display is dark and  is shown in the display.</p> <ul style="list-style-type: none"> ■ You can switch off Sabbath mode at any time via the Settings mode .
	<p>To avoid overheating, the interior lighting switches itself off automatically after approx. 15 minutes if the appliance door is left open. If this is not the cause, there is a fault.</p>
	<div style="border: 1px solid gray; padding: 5px; margin-bottom: 10px;"> <p> Risk of electric shock! There are live electrical components under the lighting cover. The LED lighting may only be repaired or replaced by the Technical Service department.</p> </div> <div style="border: 1px solid gray; padding: 5px; margin-bottom: 10px;"> <p> Risk of injury from LED lighting! The light intensity corresponds to laser beam class 1/1M. The lighting covers must not be removed or damaged, or be removed due to damage. This could cause injury to your eyes. Do not look into the LED lighting (laser beam class 1/1M) with optical instruments (e.g., a magnifying glass).</p> </div> <ul style="list-style-type: none"> ■ Contact the Technical Service department.
<p>The LED interior lighting is on even when the door is closed.</p>	<p>The ambient lighting is switched on.</p> <ul style="list-style-type: none"> ■ Switch off the ambient lighting  (see “Switching the ambient lighting  on or off” in “Selecting additional settings”).

Frequently Asked Questions

General problems with the wine conditioning unit

Problem	Possible cause and solution
Mildew has begun to form on the wine bottle labels.	Mildew may form on the labels, depending on the type of label adhesive used. ■ Clean the wine bottles and remove any adhesive residue.
The slats on the wooden shelves are warping.	Volume change due to moisture absorption or drying out is a typical characteristic of wood. An increase in humidity will cause wooden components to warp, which can lead to cracking. Knots and wavy grain are characteristic for wood and cannot be avoided.
A white deposit has formed on the wine bottle corks.	The corks have oxidized due to contact with the air. ■ Use a dry cloth to wipe off the deposit. The deposit will not affect the quality of the wine.

Causes of noises

Normal noises	Cause
Brrrrr...	A humming noise is made by the motor (compressor). This noise can get louder for brief periods when the motor switches on.
Blub, blub....	A gurgling noise can be heard when the coolant circulates through the pipes.
Click....	Clicking sounds occur whenever the thermostat switches the motor on or off.
Sssrrrrr....	On multi-zone wine conditioning units you can sometimes just hear the sound of the fan inside the appliance.
Crack...	A cracking sound can be heard when material inside the wine conditioning unit expands.
Please bear in mind that a certain amount of noise is unavoidable (from the compressor and the coolant circulating through the system).	

Noises that you can easily eliminate	Possible cause	Solution
Rattling, clinking	The wine conditioning unit is uneven.	Realign the wine conditioning unit using a spirit level, by raising or lowering the screw feet underneath the appliance.
	Shelves are unstable or sticking.	Check all removable items and refit them correctly.
	Bottles or containers are touching.	Separate them.
	The transport cord clip is still hanging on the back of the appliance.	Remove the clip.

Contact in case of fault

In the event of a fault which you cannot remedy yourself, please contact your Miele dealer or Miele Technical Service.

Contact information for Miele Technical Service can be found at the end of this document.

Please quote the model and serial number of your appliance when contacting Miele. Both pieces of information can be found on the data plate.

You will find the data plate inside your appliance.

Warranty

For more information about warranty conditions, please contact Miele Technical Service.

Declaration of conformity

Frequency band	2,412 GHz – 2,462 GHz
----------------	--------------------------

Maximum transmitting power	< 100 mW
----------------------------	----------

Copyright and licenses

Miele uses software to operate and control the appliance.

The copyright authorization from Miele and other relevant software suppliers must be respected.

Miele and its suppliers reserve the rights to the software components.

In particular the following are prohibited:

- Copying and distribution
- Modifications and derivations
- Decompression, reverse engineering, disassembling, and other such reductions of software

Components which fall under GNU General Public Licence and further Open Source licenses are integrated into the software.

An overview of the integrated Open Source components and a copy of the current license can be obtained at <http://www.miele.com/device-software-licenses>. You will need to enter the specific product name.

Miele will provide the source code for all components of software licensed under the GNU General Public Licence and comparable Open Source licenses.

For source code requests, please e-mail info@miele.com.

Please have the model and serial number
of your appliance available when
contacting Technical Service.

The Miele logo consists of the word "Miele" in a bold, white, serif font, set against a solid black rectangular background.

U.S.A.

Miele, Inc.

National Headquarters

9 Independence Way
Princeton, NJ 08540
Phone: 800-843-7231
Fax: 609-419-4298
www.mieleusa.com

Technical Service & Support

Phone: 800-999-1360
Fax: 888-586-8056
TechnicalService@mieleusa.com

International Headquarters

Miele & Cie. KG
Carl-Miele-Straße 29
33332 Gütersloh
Germany

Canada

Importer
Miele Limited

Headquarters and Miele Centre

161 Four Valley Drive
Vaughan, ON L4K 4V8
www.miele.ca

Customer Care Centre

Phone: 800-565-6435
905-532-2272
customercare@miele.ca

KWT 2601 SF, KWT 2611 SF

en-US, CA

M.-Nr. 10 785 220 / 00