

KFN 4776 ED

Freestanding fridge-freezer

with DailyFresh and NoFrost in 30" width for a lot of storage space.



- Large capacity drawer with moisture control – DailyFresh
- Two separate air circuits for optimum cooling – DuplexCool
- Uniform temperature distribution inside the appliance – DynaCool
- No icing up of food and no need to defrost thanks to NoFrost
- Soft closing of the door with SoftClose

EAN: 4002516517450 / Material number: 11954030 /
Old Material Number: 38477650USA

Appliance category	
Fridge-freezer	•
Design	
Free-standing	•
Door hinge side	right
Convertible hinging	•
Design	
Casing color	Silver
Front color	Stainless steel/CleanSteel
Type of lighting	LED
User convenience	
Networking with Miele@home	•
Freshness system	DailyFresh
ComfortClean	•
DynaCool	•
NoFrost	•
DuplexCool	•
XL interior	•
VarioRoom	•
SoftClose door closing damper	•
Concealed door opener	EasyOpen lever handle
Control	
Electronic temperature display and control	SensorTouch
Precise adjustment	Fridge and freezer temperature
Fridge compartment can be switched off	Yes
Independent temperature control of fridge and freezer compartments	Yes
Super Cooling	•
SuperFrost	•
No. of temperature zones	2
Sabbath mode	•
Party mode	•
Holiday mode	•
Fridge/fridge zone	
No. of shelves	3
including number of split shelves (FlexiBoard)	1
Chrome-plated metal bottle rack	•
No. of PerfectFresh drawers	1
Number of door racks for cans	2
Door rack for bottles	1
Door shelves	4
Freezer/freezer zone	
Number of freezer drawers	3
Safety	
Lock function	•
Acoustic door alarm	•
Acoustic temperature alarm, freezer section	•

KFN 4776 ED

Freestanding fridge-freezer

with DailyFresh and NoFrost in 30" width for a lot of storage space.



EAN: 4002516517450 / Material number: 11954030 /
Old Material Number: 38477650USA

Optical door alarm	•
Optical temperature alarm	•
Power cut indication for freezer compartment	•

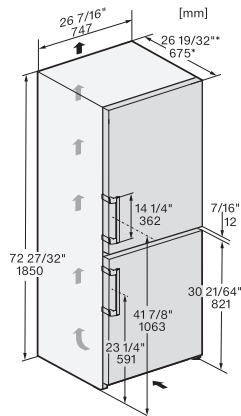
Technical data

Appliance width in in.(mm)	29 1/2 (747)
Appliance height in in.(mm)	73 1/8 (1855)
Appliance depth in in.(mm)	26 5/8 (675)
Weight in lbs.(kg)	201 (91.1)
Climatic classification	SN-T
Total usable capacity in cu. ft. (l)	15.29 (433)
Current consumption in milliampere (mA)	2300
Voltage in V	120
Fuse rating in A	10
Number of phases	1
Frequency in Hz	60
Wire length in ft (m)	6 (2.0)
Replacing bulbs	Customer Service

Standard accessories

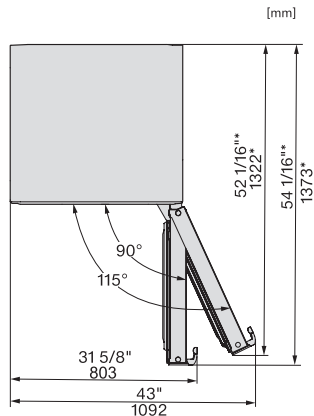
Egg rack	•
Ice cube trays	•

KFN 4776 ED
 Freestanding fridge-freezer
 with DailyFresh and NoFrost in 30" width for a lot of storage space.



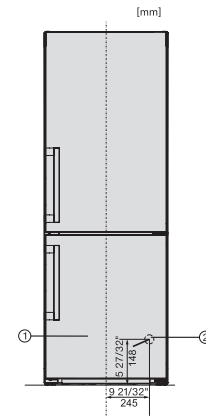
KFN4776ED, installation sketch (footnote*) (installation drawings) (US)

*To achieve the declared energy consumption, the spacers supplied with the unit must be used. This increases the depth of the unit by approx. 15 mm. The unit is fully functional without the use of the spacers, but has a slightly higher energy consumption.



KFN4776ED, top view (*footnote) (installation drawings) (US)

*To achieve the declared energy consumption, the spacers supplied with the unit must be used. This increases the depth of the unit by approx. 15 mm. The unit is fully functional without the use of the spacers, but has a slightly higher energy consumption.



KFN4776ED, installation (footnote*) (installation drawings) (US)

*1. View from the front, 2. Mains connection cable, L = 2000 mm