

Ceiling extractor

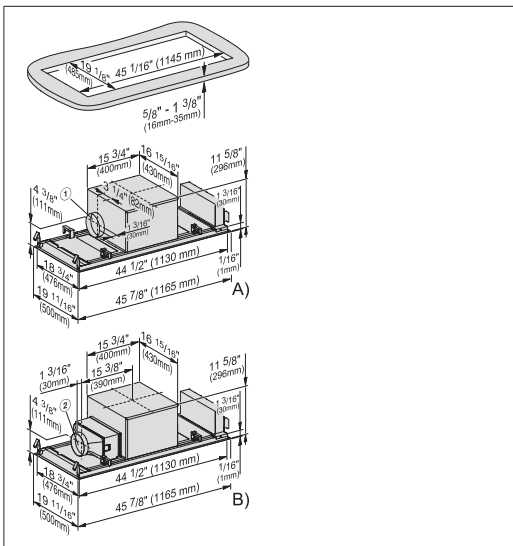
DAC 2247 Stella



- Suitable for every home – vented or recirculating
- Convenient operation – with Con@ctivity and remote control included
- Powerful – 474CFM in Booster level
- Efficient filtration- 10-ply stainless steel grease filters

DAC2247 Installation Drawings

A) Exhaust air mode, B) Recirculation mode with integrated odour filter, 1) Exhaust air connection \varnothing 150 mm. The connection piece is on the left-hand side ex works. The housing can be rotated by 90 degrees for exhaust air routing to the front or rear. To allow the housing to be rotated, there must be a free space of 100 mm in the ceiling in front of and behind the ceiling cut-out. For an exhaust air duct to the right, the extractor bonnet must be installed rotated by 180 degrees. B) Spigot \varnothing 150 mm as air outlet in Plug&Play mode or for connecting an air duct in ducted recirculation mode. The connection piece is on the left-hand side ex works. It is not possible to convert the spigot to the front or rear. For an exhaust air duct to the right, the cooker bonnet must be installed rotated by 180 degrees.



Model number	DAC 2247 Stella
Design	
Ceiling fan	•
Operating modes	
Recirculated mode	Can be retrofitted
External operation possible	–
Recirculation conversion kit (order separately)	–
Active charcoal filter (order separately)	DKF 35-P
User convenience	
Miele@home	•
Con@ctivity 3.0	•
Delayed shutdown for 5 or 15 minutes	•
Grease filter saturation indicator	•
Active charcoal filter saturation indicator	•
Acoustic package	–
Efficiency and sustainability	
Energy efficiency class (A+++ to D)	–
Cleaning convenience	
Easy-clean CleanCover liner	•
Filter system	
Stainless steel grease filters	4
Lighting	
LED	•
Number x W	2 x 7,2 W
Light intensity in lx	450 lx
Color temperature in K	3500 Kelvin
Ambient lighting	–
Blower	
DC motor	•
Exhaust air	
Air throughput in Booster (cfm)	474
Sound power in Booster (dBA)	70
Recirculation	
Air throughput in Booster (cfm)	283
Sound power Booster (dBA)	69
Safety	
Safety shut-off	•
Technical data	
Canopy dimensions (W x H x D) in inches (mm)	45 7/8 (1165) x 11 5/8 (296) x 19 11/16 (500)
Min. height above electric cooktops in inches (mm)	24 1/8 (610)
Min. clearance above gas cooktops in inches (mm)	26 (660)
Voltage in V	120
Fuse rating in A	15
Total connected load in kW	0.19
Installation note	
Vent connection at top	–
Vent connection on side	•
\varnothing Exhaust duct in inches (mm)	6 (150)

Material number	EAN	Appliance color
12565890	4002516805946	Clean Touch Steel