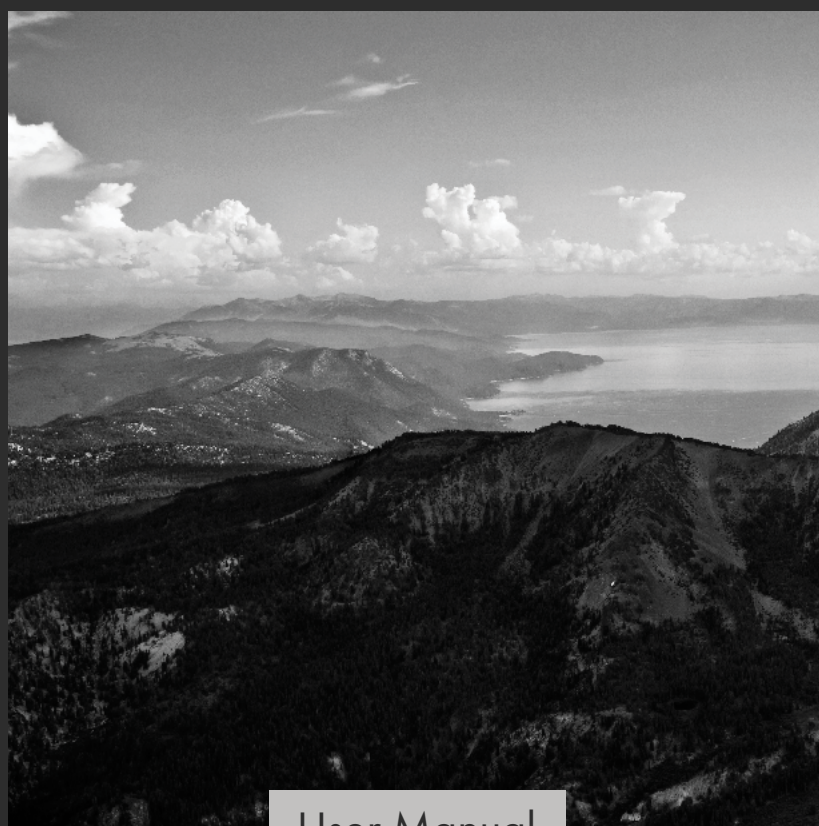


ZLINE

ATTAINABLE LUXURY[®]



User Manual

MICROWAVE DRAWER

www.zlinekitchen.com



ZLINE Kitchen and Bath provides Attainable Luxury, where the kitchen and bath of your dreams is never out of reach. Through our unique designs and unparalleled quality, we're dedicated to providing you an elevated experience in the heart of your home. With an endless selection of features and finishes, our inspiration is your reality.

ZLINE
ATTAINABLE LUXURY®



ZLINE is fueled by a passion for innovation; A relentless pursuit of bringing the highest end luxury designs and professional features into everyone's homes. Because we continually strive to improve our products, we may change specifications and designs without prior notice.

⚠ WARNING: This product can expose you to chemicals including nickel, which is known to the State of California to cause cancer. For more information, go to www.P65Warnings.ca.gov.

TABLE OF CONTENTS

IMPORTANT SAFETY INSTRUCTIONS	1
OPERATION	5
MAINTENANCE AND CLEANING	19
TROUBLESHOOTING	22
WARRANTY	23

IMPORTANT SAFETY INSTRUCTIONS



WARNING

- Before installation and operation, please read and follow these important instructions for the safety of your home and the people living in it.
- Installation and service must be performed by a qualified installer. The oven should not be adjusted or repaired by anyone except properly qualified service personnel.
- **IMPORTANT:** Save this installation manual for local electrical inspector's use and for your own future reference.
- This device complies with part 18 of the FCC Rules.
- Do not attempt to operate this oven with the door open since open-door operation can result in harmful exposure to microwave energy. It is important not to destroy or tamper with the safety interlocks.
- Do not place any object between the oven front face and the door or allow soil or cleaner residue to accumulate on sealing surfaces.
- Do not operate the oven if it is damaged. It is particularly important that the oven door closes properly and that there is no damage to the:
 - Door (bent or broken)
 - Hinges and latches (broken or loosened)
 - Door seals and sealing surfaces (dirty or eroding)
- When using electrical appliances, basic safety precautions should be followed.
- To reduce the risk of burns, electric shock, fire, personal injury, or exposure to excessive microwave energy, read all instructions before using the appliance.

IMPORTANT SAFETY INSTRUCTIONS

- This appliance must be grounded or connected to a properly grounded outlet.
- Install this appliance only in accordance with the provided installation instructions.
- Some products such as whole eggs and sealed containers (i.e. closed glass jars) should not be heated in this oven.
- Use this appliance only for its intended use as described in the manual. Do not use corrosive chemicals or vapors in this appliance. This type of oven is specifically designed to heat, cook, or defrost food.
- As with any appliance, close supervision is necessary when used by children.
- Cleaning and user maintenance shall not be made by children without supervision. Keep the appliance and its cord out of reach of children.
- Do not operate this appliance if it has a damaged electrical cord or plug, if it is not working properly, or if the entire unit has been damaged.
- Do not cover or block any openings on the appliance.
- Do not immerse cord or plug in water.
- Keep cord away from heated surfaces.
- Do not let cord hang over edge of table or counter.
- Do not use paper products when appliance is operated in the convection or baking mode.
- Do not store this appliance outdoors. Do not use this product near water — for example, near a kitchen sink, in a wet basement, near a swimming pool, or similar locations.

IMPORTANT SAFETY INSTRUCTIONS

- When cleaning surfaces of the door and oven that come together when closing the door, use only mild, nonabrasive soaps or kitchen-safe cleaners applied with a sponge or soft cloth. Do not clean with metal scouring pads. Pieces can burn off the pad and touch electrical parts, increasing risk of electric shock.
- To reduce the risk of fire inside the oven:
 - Do not overcook food. Carefully oversee appliance when paper, plastic, or other combustible materials are placed inside the oven to facilitate cooking.
 - Remove wire twist-ties from paper or plastic bags before placing bag in oven.
 - If material inside of the oven ignites, keep oven door closed, turn oven off, and disconnect the power cord, or shut off power at the fuse or circuit breaker panel.
 - Do not use the microwave for storage purposes. Do not leave paper products, cooking utensils, or food inside when not in use.
 - Do not store any materials, other than manufacturer's recommended accessories, in this oven when not in use.
- Liquids such as water, coffee, or tea may be heated beyond the boiling point without appearing to be boiling.
- Visible bubbling or boiling when the container is removed from the microwave oven is not always present. **THIS COULD RESULT IN VERY HOT LIQUID SUDDENLY BOILING OVER WHEN THE CONTAINER IS DISTURBED.**

IMPORTANT SAFETY INSTRUCTIONS

- To reduce the risk of injury:
 - Do not overheat liquid.
 - Stir the liquid before and halfway through heating it.
 - Do not use straight sided containers with narrow necks.
 - After heating, allow the container to stand in the microwave oven for a short time before removing the container.
 - Use extreme care when inserting a spoon or other utensils into the container.
- Oversized food or oversized metal utensils should not be inserted in a microwave oven as they may create a fire or risk of electric shock.
- Do not cover racks or any other part of the oven with metal foil. This will cause over-heating of the oven.
- Do not use the microwave if the oven is empty.
- Do not use items with metal trim, as this may cause arcing (sparking) within the oven, which can damage the product and increase risk of fire or injury.
- Regularly clean the interior of your appliance. Food debris or crumbs may cause arcing. See *Maintenance and Cleaning*, pages 19-21, for more.

OPERATION

RADIO INTERFERENCE

- Operation of the microwave oven may cause interference to your radio, TV, or similar equipment.
- When there is interference, it may be reduced or eliminated by taking the following measures:
 - Clean the door and sealing surface of the oven.
 - Reorient the receiving antenna of the radio or TV.
 - Move the microwave oven away from the receiver.
 - Plug the microwave oven into a different outlet so the appliance and receiver are on different branch circuits.



CAUTION

UTENSILS

- Tightly-closed utensils could explode. Closed containers should be opened and plastic pouches should be pierced before cooking.
- Carefully review the instructions on the next page regarding what materials to use in the microwave.
- Please note there may be certain non-metallic utensils that are not safe to use for microwaving. If in doubt, you can test the utensil in question by following the procedure below:
 - Fill a microwave-safe container with 1 cup of cold water, along with the utensil in question.
 - Cook on maximum power for 1 minute.
 - Carefully feel the utensil. If the empty utensil is warm, do not use it for microwave cooking.
 - Do not exceed 1 minute cooking time.

OPERATION

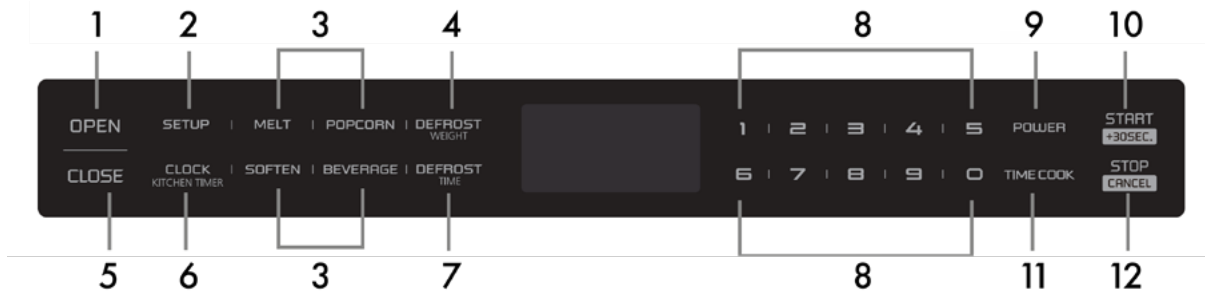
MATERIAL	USAGE
Browning dish	Follow manufacturer instructions.
Dinnerware	Microwave-safe only. Follow manufacturer's instructions. Do not use cracked or chipped dishes.
Glass jars	Always remove lid. Use only to heat food until just warm. Most glass jars are not heat resistant and may break.
Oven cooking bags	Follow manufacturer instructions. Do not close with metal tie. Make slits to allow steam to escape.
Paper plates and cups	Use for short term cooking/warming only. Do not leave oven unattended while cooking.
Paper towels	Use to cover food for reheating and absorbing fat. Use with supervision for a short-term cooking only.
Parchment and wax paper	Use as a cover to prevent splattering or a wrap for steaming.
Plastic	Microwave-safe only. Follow the manufacturer's instructions. Some plastic containers soften as the food inside gets hot. "Boiling bags" and tightly closed plastic bags should be slit, pierced, or vented as directed by package.
Plastic wrap	Microwave-safe only. Use to cover food during cooking to retain moisture. Do not allow plastic wrap to touch food.
Thermometers	Microwave-safe only (meat and candy thermometers.)



WARNING

WARNING: Do not use aluminum, metal or metal trimmed utensils, metal twist ties, paper bags, plastic foam, wood, or stainless steel mugs.

OPERATION 24" Microwaves



- | | |
|------------------------|-------------------|
| 1. Open | 7. Defrost Time |
| 2. Setup | 8. Number Keys |
| 3. Auto Menu | 9. Power |
| 4. Defrost Weight | 10. Start/+30 sec |
| 5. Close | 11. Time Cook |
| 6. Clock/Kitchen Timer | 12. Stop/Cancel |

POWER ON

- When the microwave oven is plugged into an outlet, buzzer sounds once. Screen displays "WELCOME." Then the oven turns into waiting state. The screen displays "00:00."
- In waiting state, the screen will display the current time if the clock has been set. Otherwise, "00:00" will display.
- Press "OPEN" button to open the drawer, and screen displays "OPEN." The screen will display "PLEASE CLOSE" when the drawer is fully opened.
- Press "CLOSE" button to close the drawer, and the screen displays "CLOSE." The screen will display the current time or "00:00" when the drawer is fully closed. If there are errors opening or closing the drawer, buzzer will sound 5 times, and the screen will display "CLOSE OR OPEN."

CLOCK SETTING

- Press "CLOCK/KITCHEN TIMER" button once. The first hour figure will flash and other "0" will light. A clock symbol will light up.
- Press the number buttons to enter the correct time. The input should be between 01:00-12:59.
- Press "CLOCK/KITCHEN TIMER" to finish the setting. ":" will flash.
- Note: In the process of clock setting, if the "STOP/CANCEL" button is pressed or if there is no operation within 1 minute, the oven will revert to former setting.

OPERATION 24" Microwaves

KITCHEN TIMER

- Press "CLOCK/KITCHEN TIMER" button twice. Screen will display 00:00. "FUNCTION" will light.
- Press the number buttons to enter the time. The maximum time is 99 minutes 99 seconds.
- Press "START/+30SEC." to confirm the setting. The timer will count down.
- When the timer expires, buzzer will ring 5 times. The oven turns into waiting state. Screen will display the current time if the clock has been set. Otherwise, Screen will display "00:00."
- When the timer is in operation, cooking programs cannot be operated. "STOP/CANCEL" can be pressed to cancel the timer.

MICROWAVE COOKING FUNCTION

- 11 power levels are available.
- Press "TIME COOK" button. Screen will display "00:00." "FUNCTION" will light. Press number buttons to input the cooking time. The maximum cooking time is 99 minutes 99 seconds.
- Press "POWER" button to set the power. The default power level is "PL100."
- Press number buttons to select different power levels.
- Press "START/+30SEC." to start cooking. Buzzer sounds once. The cooking time begins to count down. When cooking finished, buzzer sounds 5 times and "FINISH" displays.

Level	10	9	8	7	6	5	4	3	2	1	0
Power	100%	90%	80%	70%	60%	50%	40%	30%	20%	10%	0%
Display	PL100	PL90	PL80	PL70	PL60	PL50	PL40	PL30	PL20	PL10	PL00

NOTE: In the process of setting, if the "STOP/CANCEL" button is pressed or if there is no operation within 1 minute, the oven will revert to former setting.

OPERATION 24" Microwaves

MICROWAVE COOKING FUNCTION

- In waiting state, instant cooking at 100% power level with 30 seconds cooking time can be started by pressing "START/+30SEC." Each press on the same button will increase cooking time by 30 seconds.
- During microwave and Defrost Time mode, "START/+30SEC." can be pressed to increase cooking or defrosting time. Each press will increase 30 seconds.
- Note: "START/+30SEC." cannot be pressed to increase cooking time for Defrost Weight and Auto Menu cooking modes.


WEIGHT DEFROST FUNCTION

- Press "DEFROST WEIGHT" button. Screen displays "WEIGHT DEFROST" and "FUNCTION" will light.
- Press number buttons to input the weight to be defrosted.
- The input weight should be between 0.1-6.0 lbs.
- Press "START/+30SEC." to start defrosting. Buzzer sounds once. The defrosting time begins to count down. When defrosting is finished, buzzer sounds 5 times and "FINISH" displays.
- **NOTE:** Buzzer will sound to remind you to turn the food over during defrosting. The oven will continue working if you don't stop the oven to turn food over.

TIME DEFROST FUNCTION

- Press "DEFROST TIME" button. Screen displays "TIME DEFROST" and "FUNCTION" will light.
- Press number buttons to enter the defrosting time between 00:01-99:99.
- Press "START/+30SEC." to start defrosting. Buzzer sounds once. The defrosting time begins to count down. When defrosting is finished, buzzer sounds 5 times and "FINISH" displays.
- **NOTE:** The defrosting power level is PL30.

AUTO MENU: BEVERAGE

- Press "BEVERAGE" button. Screen displays "1." "AUTO MENU" and " " indicators will light. Continue to press "BEVERAGE" button, "1" or "2" will display in order.
- Press "START/+30SEC." to start cooking. Buzzer sounds once. The cooking time begins to count down. When cooking is finished, buzzer sounds 5 times and "FINISH" displays.

OPERATION 24" Microwaves

AUTO MENU: POPCORN

- Press "POPCORN" button. Screen displays "1.75." "AUTO MENU" and "OZ" indicators will light.
- Continue to press "POPCORN" button, "1.75," "3.0," or "3.5" will display in order.
- Press "START/+30SEC." to start cooking. Buzzer sounds once. "OZ" will go out. The cooking time begins to count down. When cooking is finished, buzzer sounds 5 times and "FINISH" displays.

AUTO MENU: MELT

- Press "MELT" button. Screen displays "BUTTER." "AUTO MENU" indicator will light.
- Continue to press "MELT" button, "BUTTER," "CHOCOLA," "CHEESE," or "MARSHMA" will display in order.
- Press "START/+30SEC." to confirm the selection.
- Press "MELT" button to select the weight. "OZ" will light.
- Press "START/+30SEC." to start cooking. Buzzer sounds once. "OZ" will go out. The cooking time begins to count down. When cooking is finished, buzzer sounds 5 times and "FINISH" displays.

Menu	Display	Weight
Butter/Margarine	BUTTER	1
		2
		3
Chocolate	CHOCOLA	4
		8
Cheese	CHEESE	8
		16
Marshmallows	MARSHMA	5
		10

OPERATION 24" Microwaves

AUTO MENU: SOFTEN

Press "SOFTEN" button. Screen displays "BUTTER." "AUTO MENU" indicator will light.

- Continue to press "SOFTEN" button, "BUTTER," "ICE-CRE," or "CHEESE" will display in order.
- Press "START/+30SEC." to confirm the selection.
- Press "SOFTEN" button to select the weight. "OZ" will light except butter menu.
- Press "START/+30SEC." to start cooking. Buzzer sounds once. "OZ" will go out. The cooking time begins to count down. When cooking is finished, buzzer sounds 5 times and "FINISH" displays.

Menu	Display	Weight
Butter	BUTTER	1
		2
		3
Ice cream/Frozen juice	ICE-CRE	8
		16
		32
Cream cheese	CHEESE	3
		8

BUZZER ON/OFF (MUTE):

- Press "SETUP" button. Screen displays "BUZ OFF."
- Press "START/+30SEC." button. The oven will turn to waiting state. Buzzer is turned off. No beep will sound.
- Press "SETUP" button. Screen displays "BUZ ON."
- Press "START/+30SEC." button. The oven will turn to waiting state. Buzzer is turned on. Buzzer will sound normally.

OPERATION 24" Microwaves

PANEL LOCK

- Lock: In waiting state, press "STOP/CANCEL" for 3 seconds; the oven will enter into the panel lock state. Screen will display the current time if the clock has been set. Otherwise, "00:00" will display.
- Lock release: In locked state, press "STOP/CANCEL" for 3 seconds to release the lock.

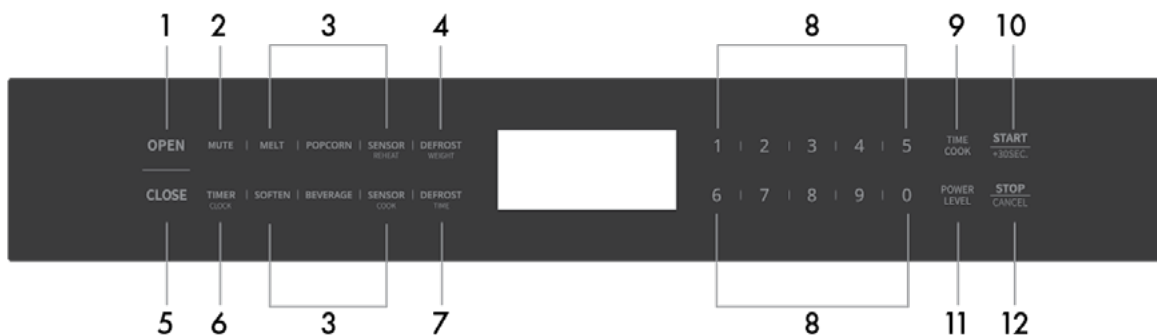
INQUIRING FUNCTION

- In cooking state, press "CLOCK/KITCHEN TIMER " button to check the clock. The current time will display for 3 seconds before changing back to cooking time.
- In cooking state, press "POWER" button to check the microwave power. The current microwave power will display for 3 seconds before changing back to cooking time.
- **NOTE:** In defrosting state and auto menu, power level cannot be inquired.

OTHER SPECIFICATIONS

- In cooking state, "OPEN" cannot be pressed to open the drawer unless "STOP/CANCEL" button is pressed to pause the cooking. Press "CLOSE" button to close the drawer. Then "START/+30SEC." button must be pressed to continue cooking.
- If the cooking program has been set and "START/+30SEC." is not pressed in 1 minute, the current time will be displayed. The setting will be canceled.
- If the oven door is open, the lamp will light until the oven is powered off.

OPERATION 30" Microwaves



- | | |
|-------------------|-------------------|
| 1. Open | 7. Defrost Time |
| 2. Mute | 8. Number Keys |
| 3. Auto Menu | 9. Time Cook |
| 4. Defrost Weight | 10. Start/+30 sec |
| 5. Close | 11. Power Level |
| 6. Timer/Clock | 12. Stop/Cancel |

POWER ON

- When the microwave oven is plugged into an outlet, buzzer sounds once. Then the oven turns into waiting state. The screen displays "00:00."
- In waiting state, the screen will display the current time if the clock has been set. Otherwise, "00:00" will display.

CLOCK SETTING

- Press "TIMER/CLOCK" button twice. "12:00" will flash.
- Press the number buttons to enter the correct time. The input should be between 1:00-12:59.
- Press "START+30SEC." or "TIMER/CLOCK" to finish the setting.
- Note: In the process of clock setting, if the "STOP/CANCEL" button is pressed or if there is no operation within 1 minute, the oven will revert to former setting.

OPERATION 30" Microwaves

KITCHEN TIMER

- Press "TIMER/CLOCK" button once. "00:00" will display.
- Press number keys to set the clock; it should be within 00:01-99:99.
- Press "START+30SEC." to begin the timer.
- When the timer expires, buzzer will ring 4 times. The oven turns into waiting state. Screen will display the current time if the clock has been set. Otherwise, screen will display "00:00".

MICROWAVE TIME COOK

- 10 power levels are available.
- Press "TIME COOK" button; screen will display "00:00."
- Press number keys to set the cook time; it should be within 00:01-99:99.

COOK POWER

- Press "POWER LEVEL" once to confirm and then press "POWER LEVEL" repeatedly or press number key to set the power level.
- Press "START+30SEC." to start cooking.
- If no power level is set, the default power level is "L10."

Level	10	9	8	7	6	5	4	3	2	1
Power	100%	90%	80%	70%	60%	50%	40%	30%	20%	10%
Display	L10	L09	L08	L07	L06	L05	L04	L03	L02	L01

ADD 30 SECONDS

- In waiting state, instant cooking at 100% power level with 30 seconds cooking time can be started by pressing "START/+30SEC." Each press on the same button will increase cooking time by 30 seconds.
- During microwave and defrost time, "START/+30SEC." can be pressed to increase time. Each press will increase 30 seconds.

OPERATION 30" Microwaves

DEFROST WEIGHT FUNCTION

- Press "DEFROST WEIGHT" button. Screen displays the defrost icon, and "0.0 lbs" will light.
- Press number buttons to input the weight to be defrosted. The input weight should be between 0.1-6.0 lbs.
- Press "START/+30SEC." to start defrosting. Buzzer sounds once.

NOTE: The buzzer will sound twice to remind you of turning over the food during defrosting.

DEFROST TIME FUNCTION

- Press "DEFROST TIME" button. Screen displays defrost icon and "00:00" will light.
- Press number buttons to enter the defrosting time between 00:01-99:99.
- Press "START/+30SEC." to start defrosting.

NOTE: The defrosting power level is L03. It cannot be changed. The buzzer will sound twice to remind you of turning over the food during defrosting.

AUTO MENU: POPCORN

- Press "POPCORN" button to start cooking directly, when the oven door is closed.

AUTO MENU: SENSOR REHEAT

- In waiting state, press "Sensor Reheat" once, and "Sr-1" will display.
- Press "Sensor Reheat" repeatedly or press "1-4" to choose the menu.
- Press "START+30SEC." to start cooking.

OPERATION 30" Microwaves

AUTO MENU: SENSOR COOK

- In waiting state, press "Sensor Cook" once, and "Sc-1" will display.
- Press "Sensor Cook" repeatedly or press "1-7" to choose the menu.
- Press "START+30SEC." to start cooking.

Potato	Sc-1
Chicken	Sc-2
Fish	Sc-3
Ground meat	Sc-4
Fresh veggies	Sc-5
Frozen veggies	Sc-6
Canned veggies	Sc-7

AUTO MENU: BEVERAGE

- In waiting state, press "Beverage" once, "1", "01:30" will display.
- Press "Beverage" repeatedly or press "1" or "2" to choose the menu.
- Press "START+30SEC." to start cooking.

AUTO MENU: MELT

- In waiting state, press "MELT" once, and "1 buTT" will display.
- Press "MELT" repeatedly to choose the menu.
- Press "1" or "2" to choose the correspond weight.
- Press "START+30SEC." to start cooking.

Menu	Display	Weight
Butter/Margarine	1 buTT	1 (stick)
	2 buTT	2 (stick)
	3 buTT	3 (stick)
Chocolate	4 oz Choc	4 oz
	8 oz Choc	8 oz
Cheese	8 oz CHEE	8 oz
	16 oz CHEE	16 oz

OPERATION 30" Microwaves

AUTO MENU: SOFTEN

- In waiting state, press "SOFTEN" once, and "1 buTT" will display.
- Press "SOFTEN" repeatedly to choose the menu.
- Press "1" or "2" to choose the correspond weight.
- Press "START+30SEC." to start cooking.

Menu	Display	Weight
Butter/Margarine	1 buTT	1 (stick)
	2 buTT	2 (stick)
	3 buTT	3 (stick)
Ice cream/Frozen juice	8 oz ICE	8 oz
	16 oz ICE	16 oz
	32 oz ICE	32 oz
Cream cheese	3 oz CHEE	3 oz
	8 oz CHEE	8 oz

MULTIPLE COOK

- In waiting state, press "DEFROST WEIGHT" once, and "0.0 lbs" will display.
- Press number buttons to input the weight to be defrosted. The input weight should be between 0.1-6.0 lbs.
- Press "TIME COOK" button once. "00:00" will display.
- Then, press number keys to set the cook time; it should be within 00:01-99:99.
- Press "POWER LEVEL" once to confirm and then press "POWER LEVEL" repeatedly or press number key to set the power level.
- Press "START+30SEC." to start cooking.

NOTE: The defrost function can only be one stage of a multiple cook. Two stage cooking can be set at most levels.

OPERATION 30" Microwaves

BUZZER ON/OFF

To enter silent mode

- Press "MUTE" button. Screen displays silent icon.

To cancel silent mode

- In silent mode, press "MUTE" button. The buzzer will sound twice.

PANEL LOCK

- Lock: In waiting state, press "STOP/CANCEL" for 3 seconds, then oven will enter into the panel lock state. Screen will display "Loc."
- Unlock: In locked state, press "STOP/CANCEL" for 3 seconds to release the lock. Screen will display "UnLo."

ECO MODE

To enter eco mode:

- The microwave will enter eco mode when the oven door is closed and the unit sits in waiting state for longer than 1 minute.
- When in eco-mode, the stand-by power will be 0.9W.

To cancel eco mode:

- In eco mode, open the door or press any key to cancel it.

INQUIRING FUNCTION

- In cooking state, press "TIMER/CLOCK" button to check the clock. The current time will display for 3 seconds before changing back to cooking time.

MAINTENANCE AND CLEANING

CARE AND CLEANING

- Microwave energy may escape if the cooking compartment drawer, side rails, or drawer guide rollers are damaged, which can be a serious health risk. Never use the appliance if any portion of the drawer is damaged. If you see damage, contact ZLINE at 1-614-777-5004.



NEVER use high-pressure cleaners or steam cleaners. This increases the chance of moisture penetrating inside the unit's mechanical and electrical systems, which may cause an electric shock.

- Slight differences in color on the front of the appliance are caused by the use of different materials, such as glass, plastic, and metal. Shadows on the door panel that look like streaks are caused by reflections made by the oven light.
- Unpleasant odors, e.g. after fish has been prepared, can be removed easily. Add a few drops of lemon juice to a cup of water. Place a wooden spoon into the container to prevent superheating. Heat the water for 1 to 2 minutes at maximum microwave power.

CLEANING AGENTS

- To ensure that the different surfaces are not damaged by using the wrong cleaning agent, observe the information in the table on page 20. Do not use:
 - Sharp or abrasive cleaning agents
 - Metal or glass scrapers to clean the glass in the drawer
 - Metal or glass scrapers to clean the area where the microwave drawer and frame touch when closed
 - Hard scouring pads and sponges
 - Cleaning agents with high concentrations of alcohol
- Wash new sponge cloths thoroughly before use.
- Allow all surfaces to dry thoroughly before using the appliance again.

MAINTENANCE AND CLEANING

CLEANING GUIDE	
Appliance front and exterior	Hot soapy water: Clean with a dish cloth and dry with a soft cloth. Do not use glass cleaners or metal or glass scrapers.
Appliance front with stainless steel	Hot soapy water: Clean with a dish cloth and dry with a soft cloth. Remove flecks of limescale, grease, starch, and albumin (e.g. egg white) immediately. Corrosion can form under such residues. Special stainless steel cleaning agents can be obtained at appliance stores and other vendors. Do not use glass cleaners or metal or glass scrapers for cleaning.
Cooking compartment and microwave interior	Hot soapy water: Clean with a dish cloth and dry with a soft cloth. Remove flecks of limescale, grease, starch and albumin (e.g. egg white) immediately. Corrosion can form under such residues. Do not use glass cleaners or metal or glass scrapers.
Control panel	Damp cloth: Ensure that no water seeps into the appliance interior. Dry with a soft cloth.
Drawer glass	Kitchen-safe glass cleaner: Clean with a dish cloth and dry with a soft cloth. Do not use a glass scraper.
Drawer guides, rails and rollers	Soft dry cloth: Remove crumbs and food debris and wipe with a soft dry cloth so the door may open and close smoothly. Pay special attention to the white rollers that help guide the microwave drawer. Open the drawer fully to thoroughly clean these rollers to avoid arcing.



WARNING

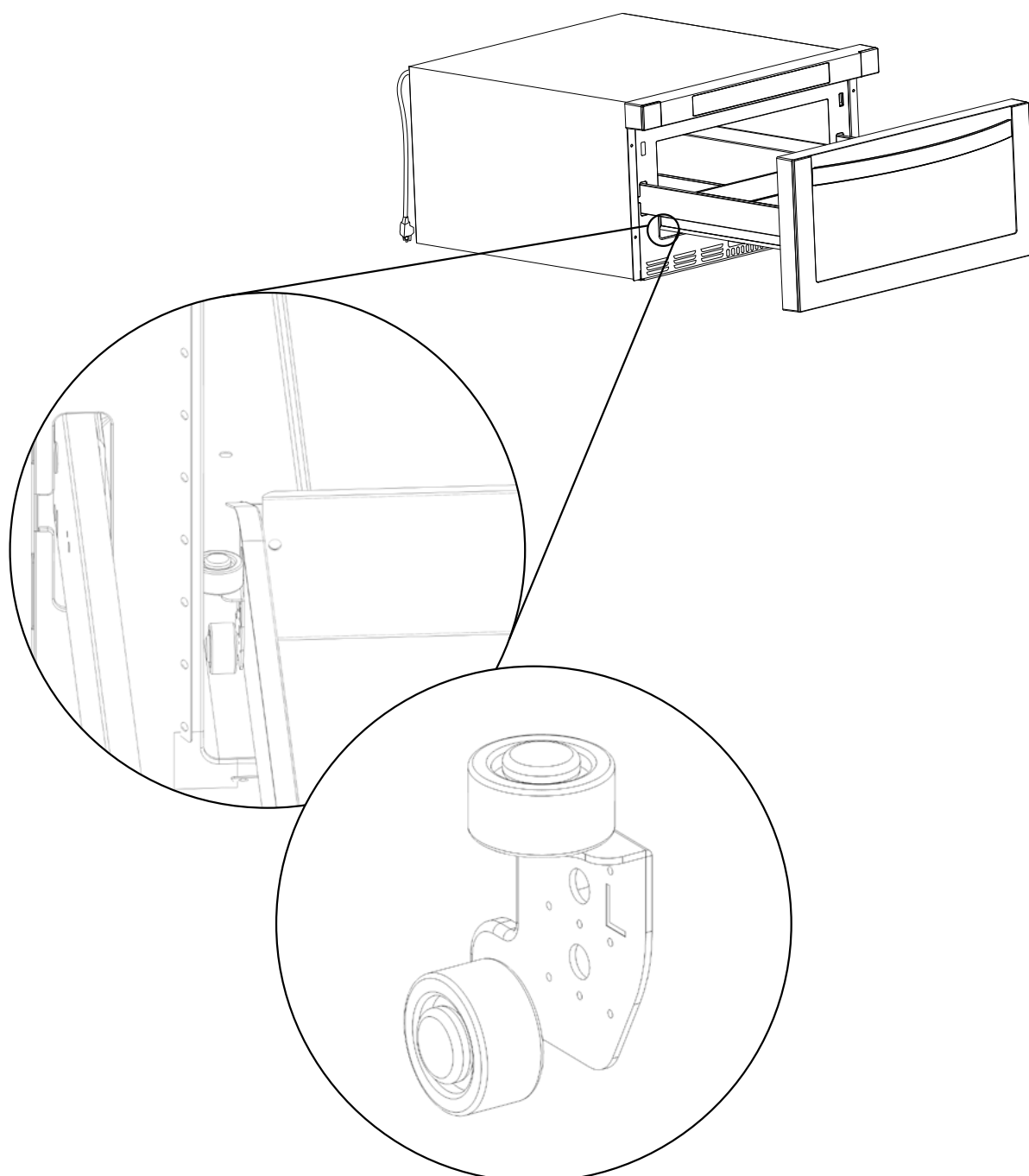
NEVER clean the appliance immediately after switching off, as you risk being burned. Let the appliance cool down before cleaning. Disconnect power before cleaning or leave the door open to inactivate the microwave during cleaning.

MAINTENANCE AND CLEANING

CLEANING GUIDE

IMPORTANT:

- It's recommended to thoroughly clean the interior of your microwave drawer at least once a week. If the appliance is not cleaned often, food and grease can build up on the ceramic base plate and in hard-to-reach locations along the white drawer guide rollers and the sliding side rails — as outlined in the images below — which may cause arcing.



TROUBLESHOOTING

ISSUE	POSSIBLE CAUSE	TROUBLESHOOTING
Oven won't start.	Electrical cord is unplugged.	Plug into the outlet.
	Door is open.	Close the door and retry.
	Wrong operation is set.	Check instructions
Arcing or sparking.	Materials to be avoided in the microwave oven were used.	Use microwave-safe cookware only.
	The oven is operated when empty.	Do not operate with oven empty.
	Spilled food is in the oven.	Clean inside the oven frequently.
	Certain foods high in iron can cause a spark.	Example: Broccoli, potatoes, butter, etc.
Improper defrosting.	Materials to be avoided in microwave oven were used.	Use microwave-safe cookware only.
	Cooking time and/or power is not suitable.	Use correct cooking time and/or power.
	Food is not turned or stirred.	Turn or stir food.
Unevenly cooked food.	Materials to be avoided in microwave oven were used.	Use microwave-safe cookware only.
	Food is not defrosted completely.	Completely defrost food.
	Cooking time and/or power level is not suitable.	Use correct cooking time and/or power level.
	Food is not turned or stirred.	Turn or stir food.
Overcooked food.	Cooking time and/or power level is not suitable.	Use correct cooking time and/or power level.
Undercooked food.	Materials to be avoided in microwave were used.	Use microwave-safe cookware only.
	Oven ventilation ports are restricted.	Check to see that oven ventilation ports are not restricted.
	Cooking time and/or power level is not suitable.	Use correct cooking time and/or power level.
	Food is not turned or stirred.	Turn or stir food.

WARRANTY

COVERAGE

ZLINE Kitchen and Bath microwave parts will be warrantied for two years from the original purchase date for the original purchaser of the product.

TERMS

This warranty applies only to the original purchaser of the product installed for normal residential use. This is defined as a single-family, residential dwelling in a non-commercial setting. Commercial settings include but are not limited to: schools, churches, hotels, restaurants, vacation rentals such as Airbnb, day care centers, private clubs, fire stations, common areas in multi-family dwellings, nursing homes, food service locations, and institutional food service locations such as hospitals or correction facilities. This warranty is non-transferable and will not be extended based on the date of installation. The warranty applies only to products installed in the contiguous United States and the District of Columbia. Warranty shall not apply and ZLINE Kitchen and Bath is not responsible for damage resulting from negligence, improper maintenance, misuse, abuse, alteration of or tampering with the appliance, accident, natural disaster, improper electric supply, unauthorized service or repair, improper installation, or installation not in accordance with the instructions contained in the manual or with the local government codes..

WHAT IS NOT COVERED

1. Installation or start-up damages or problems caused by improper installation or use.
2. Damage related to unauthorized service or unauthorized parts.
3. Installation in any commercial or non-residential application.
4. Aesthetic damage, scratches, or natural wear caused by normal use.
5. Second-hand, open box products, or products purchased from an unauthorized retailer.



SERVICE

For warranty service, please contact our Customer Service team at 1-614-777-5004 or visit www.zlinekitchen.com/contact to utilize our online Customer Experience Portal.

WARRANTY



The rating tag shows the model and serial number of your microwave. The tag is located below the control pad on the microwave. The tag is visible when the microwave door is open. Do not remove permanently affixed labels, warnings, or plates from the product. This will void the warranty.



Scan the QR code to view the most up-to-date version of our Installation Manual and User Manual.



Need to purchase a part or accessory for your ZLINE product?
Visit www.zlineparts.com, ZLINE's official parts distribution partner.

3.2.0

www.zlinekitchen.com

1-614-777-5004

contact@zlinekitchen.com

ZLINE
ATTAINABLE LUXURY®