



INSTRUCTION MANUAL

**MFM-7D1/MFM-7D1W/
MFM-7D1S**

Microwave Oven

TABLE OF CONTENTS

Safety Instructions

■ PRECAUTIONS TO AVOID POSSIBLE EXPOSURE TO EXCESSIVE MICROWAVE ENERGY	1
■ Specifications	1
■ Proper and Safe Use of Your Oven	1
■ Important Safety Instructions	2

Setting Up & Getting to Know Your Oven

■ What is Safe Plug™ Technology?	3
■ Electrical Grounding Instructions	3
■ Cleaning	3
■ Installation	4
■ Names of Oven Parts and Accessories	5
■ Control Panel and Features	6

Operating Instructions

■ Operating Instructions	7
• Setting Clock	7
• Child Lock-Out	8
• Popcorn	8
• Soup	9
• Beverage	9
• Pizza	10
• Reheating (Dinner Plate)	10
• Time Defrost	11
• Time Cook	11
• Wattage Output Chart	12
• Express Cook	13
• Beeper Volume	13
• To Stop the Oven While it is Operating	13
• 1st Defense™ Smoke Sensor	14

Read these instructions carefully before using the oven. If you follow the instructions, your microwave oven will provide you with good service.

SAVE THESE INSTRUCTIONS

■ Warranty	15
------------------	----

SPECIFICATIONS

Model	MFM-7D1/MFM-7D1W/MFM-7D1S
Power Source	AC120 V, 60 HZ
Power Consumption	1680 W Outlets, 1200W Microwave Oven
Maximum Output	700 W*
Defrost Output	280 W
Oven Capacity	0.7 cu. ft.
Turntable Diameter	10.7"(272mm)
Dimensions (w x d x h)	18.1"(W) × 14.6"(D) × 10.6"(H) (460mm × 370mm × 269mm)
Weight (Approx.)	26.5 lbs (12.0 kg)

*According to IEC test procedures.
Specifications subject to change without notice.

PROPER AND SAFE USE OF YOUR OVEN

- The oven must be level.
- The turntable and turntable roller guide must be in the oven during cooking.
- Place the cookware gently on the turntable and handle it carefully to avoid possible breakage.
- Use only the specified bag size when using Popcorn. See page 8.
- The oven has several built-in safety switches to ensure that the power remains off when the door is open. Do not tamper with these switches.
- Do not operate the microwave oven empty. Operating the oven with no food or food that is extremely low in moisture can cause fire, charring or sparking.
- Do not cook bacon directly on the turntable. Excessive local heating of the turntable may cause it to break.
- Do not heat baby bottles or baby food in the microwave oven. Uneven heating may occur and cause physical injury.
- Do not heat narrow-necked containers, such as syrup bottles.
- Do not attempt to deep-fry in your microwave oven.
- Do not do home canning in this microwave oven as it is impossible to be sure all contents of the jar have reached a boiling temperature.
- Do not use this microwave oven for commercial purposes. This microwave oven is made for non-commercial use only.
- Do not use the socket located on the back panel of the Microwave Oven for any purpose other than to plug in the refrigerator cord. Do not plug other electrical items into this socket.

PRECAUTIONS TO AVOID POSSIBLE EXPOSURE TO EXCESSIVE MICROWAVE ENERGY

- (a) Do not attempt to operate this oven with the door open since open-door operation can result in harmful exposure to microwave energy. It is important not to defeat or tamper with the safety interlocks.
- (b) Do not place any object between the oven front face and the door or allow soil or cleaner residue to accumulate on sealing surfaces.
- (c) Do not operate the oven if it is damaged.
It is particularly important that the oven door closes properly and that there is no damage to the: (1) door (bent), (2) hinges and latches (broken or loosened), (3) door seals and sealing surfaces.
- (d) The oven should not be adjusted or repaired by anyone except properly qualified service personnel.

IMPORTANT SAFETY INSTRUCTIONS

When using electrical appliances, basic safety precautions should be followed, including the following:

WARNING: To reduce the risk of burns, electric shock, fire, injury to persons or exposure to excessive microwave energy:

- 1 Read all instructions before using this appliance.
- 2 Read and follow the specific "PRECAUTIONS TO AVOID POSSIBLE EXPOSURE TO EXCESSIVE MICROWAVE ENERGY" found on page 1.
- 3 This appliance must be grounded. Connect only to a properly grounded outlet. See "ELECTRICAL GROUNDING INSTRUCTIONS" found on page 3.
- 4 Install or locate this appliance only in accordance with the provided installation instructions.
- 5 Some products such as whole eggs and sealed containers-for example, closed glass jars - are able to explode and should not be heated in this oven.
- 6 Use this appliance only for its intended use as described in this manual. Do not use corrosive chemicals or vapors in this appliance. This type of oven is specifically designed to heat, cook, or dry food. It is not designed for industrial or laboratory use.
- 7 As with any appliance, close supervision is necessary when used by children. While using this appliance it is best to monitor this appliance.
- 8 Do not operate this appliance if it has a damaged cord or plug, if it is not working properly, or if it has been damaged or dropped
- 9 This appliance should be serviced only by qualified service personnel. Contact Intirion Corporation, 2 Annette Road, Suite 3, Foxborough, MA 02035 or at 800-637-7567 for the nearest authorized service facility for examination repair or adjustment.
- 10 Do not cover or block any openings or vents on this appliance.
- 11 Do not store this appliance outdoors. Do not use this product near water-for example, near a kitchen sink, in a wet basement, near a swimming pool, or similar locations.
- 12 Do not immerse cord or plug in water.
- 13 Keep cord away from heated surfaces.
- 14 Do not let cord hang over edge of table or counter.
- 15 When cleaning surfaces of door and oven that comes together on closing the door, use only mild, non-abrasive soaps or detergents applied with a sponge or soft cloth.
- 16 To reduce the risk of fire in the oven cavity:
 - (a) Do not overcook food. Carefully attend appliance when paper, plastic, or other combustible materials are placed inside the oven to facilitate cooking .
 - (b) Remove wire twist-ties from paper or plastic bags before placing bag in oven. Do not heat Chinese food containers or foil lined bags.
 - (c) If materials inside the oven ignite, keep oven door closed, turn oven off, and disconnect the power cord, or shut off power at the fuse or circuit breaker panel.
 - (d) Do not use the cavity for storage purposes. Do not leave paper products, cooking utensils, or food in the cavity when not in use.
- 17 Liquids, such as water, coffee, or tea are able to be overheated beyond the boiling point without appearing to be boiling. Visible bubbling or boiling when the container is removed from the microwave oven is not always present. **THIS COULD RESULT IN VERY HOT LIQUIDS SUDDENLY BOILING OVER WHEN THE CONTAINER IS DISTURBED OR A SPOON OR OTHER UTENSIL IS INSERTED INTO THE LIQUID.**

To reduce the risk of injury to persons:

 - (a) Do not overheat the liquid.
 - (b) Stir the liquid both before and halfway through heating it.
 - (c) Do not use straight-sided containers with narrow necks.
 - (d) After heating, allow the container to stand in the microwave oven for a short time before removing the container.
 - (e) Use extreme care when inserting a spoon or other utensil into the container.
- 18 Under-cabinet and wall-mounted appliances:
 - (a) Do not operate any heating or cooking appliance beneath this appliance.
 - (b) Do not mount unit over or near any portion of a heating or cooking appliance.
 - (c) Do not mount over a sink.
 - (d) Do not store anything directly on top of the appliance surface when the appliance is in operation.

SAVE THESE INSTRUCTIONS

What is Safe Plug™ Technology?

MicroFridge® combination appliances utilize Safe Plug™ technology, a revolutionary, patented design, to conserve electricity and reduce potential fire hazards that can be caused by overloaded circuits. This technology, built into the microwave, works by temporarily shutting off the power to the refrigerator and charging outlets when the microwave is in use. When the microwave is finished, power to the refrigerator and charging outlets resumes. Engineered with unique one-plug-to-the-wall operation, our combination appliances never draw more than 11-15 amps of current.

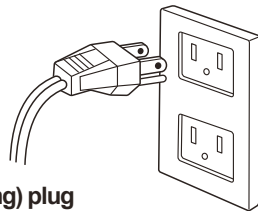
MicroFridge® uses patented intelligent load monitoring® technology to control the microwave, refrigerator and extra outlets. The charging station with 2 USB outlets and one outlet is designed to conveniently re-charge smart phones, tablets, laptops or similar low power devices.

ELECTRICAL GROUNDING INSTRUCTIONS

This appliance must be grounded. If there is an electrical short circuit, grounding reduces the risk of electric shock by providing an escape wire for the electric current. This appliance is equipped with a cord that has a grounding wire with a grounding plug. The plug must be plugged into an outlet that is properly installed and grounded.

Consult a qualified electrician if the grounding instructions are not completely understood as to whether the appliance is properly grounded.

Properly polarized and grounded



Three-pronged (grounding) plug

WARNING - Improper use of the grounding plug can result in electric shock.

If it is necessary to use an extension cord, use only a 3-wire extension cord that has a 3-blade grounding plug, and a 3-slot receptacle that will accept the plug on the appliance. The marked rating of the extension cord shall be equal to or greater than the electrical rating of the appliance.

- a) A short power-supply cord is provided to reduce the risks resulting from becoming entangled in or tripping over a longer cord.
- b) Longer cord sets or extension cords are available and may be used if care is exercised in their use.
- c) If a long cord or extension cord is used:
 - 1) The marked electrical rating of the cord set or extension cord should be at least as great as the electrical rating of the appliance;
 - 2) The extension cord must be a grounding-type 3-wire cord; and
 - 3) The longer cord should be arranged so that it will not drape over the counter top or tabletop where it can be pulled on by children or tripped over unintentionally.

UNAUTHORIZED MODIFICATIONS TO THIS DEVICE COULD VOID THE USER'S AUTHORITY TO OPERATE IT.

CLEANING

Wipe the oven inside and outside with a soft cloth and a mild detergent solution. Then rinse and wipe dry. This should be done on a weekly basis, more often if needed. Never use cleaning powders or rough pads. Excessive oil splatters on the inside top will be difficult to remove if left for many days. Wipe splatters with a wet paper towel, especially after cooking chicken or bacon.

REMOVABLE PARTS

The following parts may be removed as described. They should be washed in warm (not hot) water with a mild detergent and a soft cloth. Once they are clean, rinse them well and dry with a soft cloth. Never use cleaning powders, steel wool or rough pads.

- The turntable may be cleaned at the sink. Be careful not to chip or scratch the edges as this may cause the turntable to break during use.
- The turntable roller rest should be cleaned regularly.

SPECIAL CARE

For best performance and safety, the inner door panel and the oven front frame should be free of food or grease buildup. Clean them often with a mild detergent. Then rinse and wipe dry. Never use cleaning powders, steel wool or rough pads.

After cleaning the control panel, touch the Clear/Off pad to clear any entries that might have been entered accidentally while cleaning the panel.

INSTALLATION OF MICROWAVE MODELS TO REFRIGERATOR

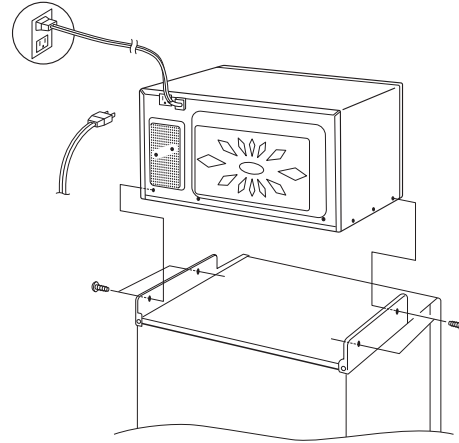
Remove all packing material and accessories. Examine the oven for any damage, such as dents or broken door. Do not install if oven is damaged.

1. Place the oven on top of the approved MicroFridge® refrigerator carefully lining up screw holes of the refrigerator sash with microwave side holes.
 - Do not block the inlet and outlet openings located at the rear and bottom of the oven.
 - Do not remove the feet from the bottom of oven.
 - Blocking the inlet and/or outlet openings can damage the oven.
2. Attach the microwave oven to the refrigerator by screwing in the four (4) side screws.
 - Screws can be found in the attached bag.
3. Plug refrigerator into the socket provided in the rear of the microwave oven.
 - The socket is intended for use with approved MicroFridge® refrigerators. Use of this socket for other appliances may be hazardous.
4. Plug your oven into a standard 120-volt/60Hz household outlet. Be sure the electrical circuit is at least 15 amperes and that your microwave oven is the only appliance on the circuit.

The MicroFridge® combination appliance will now operate within eleven (11) to fifteen (15) amps of current draw.

NOTE:
Radio & TV reception----Poor television reception and radio interference may result if the oven is located close to a TV, radio, antenna or antenna wire. Position the oven as far from them as possible.

MicroFridge® with Safe Plug™ and 1st Defense™ Smoke Sensor



Assembly Diagram.

NOTE:
The MicroFridge® refrigerator and charging outlets will not operate when the microwave oven is on. This is part of the patented Safe Plug™ technology that prevents wiring overload. If your oven does not operate properly, unplug it from the 120 volt household outlet and then plug it back in. This unit is not designed for 50Hz or any circuit other than 120 volt/60Hz AC current.

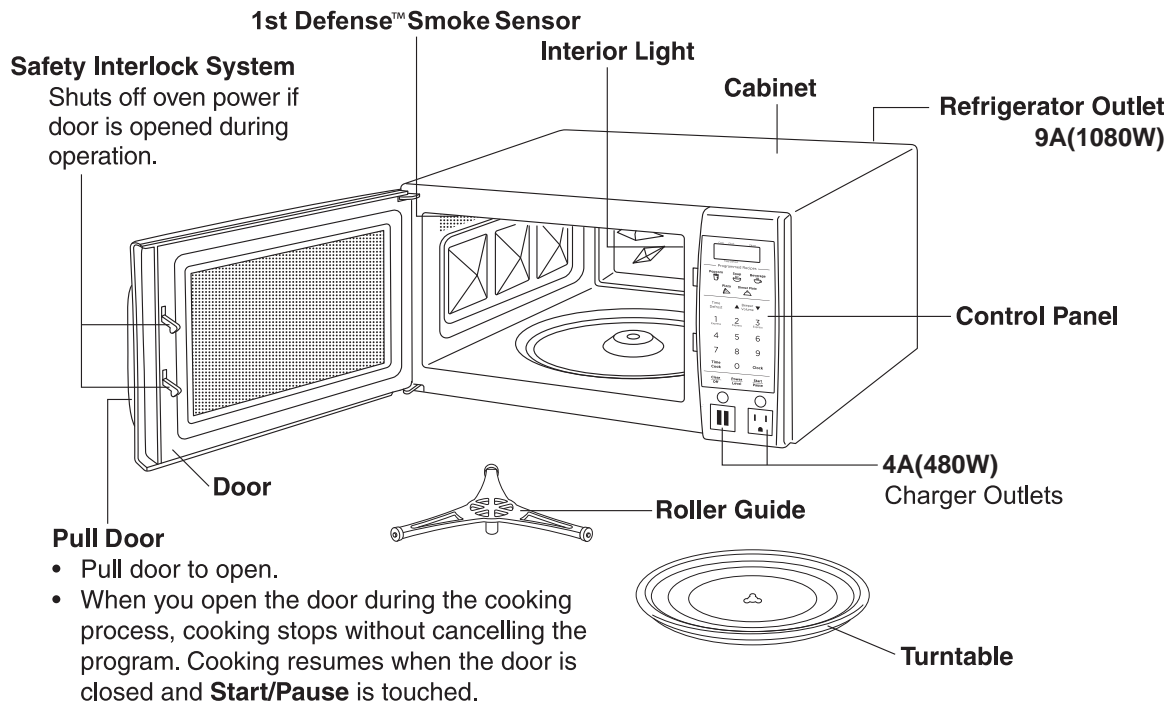
Microwave Oven & Refrigerator Compatibility Chart			
Oven	MFM-7D1	MFM-7D1S	MFM-7D1W
Refrigerator	2.3MF4R	2.3MF4RS	2.3MF4RW
	2.5MF4RE	3.0MF4RS	3.0RMF4RW
	3.0MF4R	3.1MF4RS	3.0LMF4RW
	3.1MF4R	3.6MF4RAS	3.6MF4RW
	3.6MF4RA		4.8LMF4RW
	4.8MF4R		4.8MF4RW
			4.8RMF4RW

NAMES OF OVEN PARTS AND ACCESSORIES

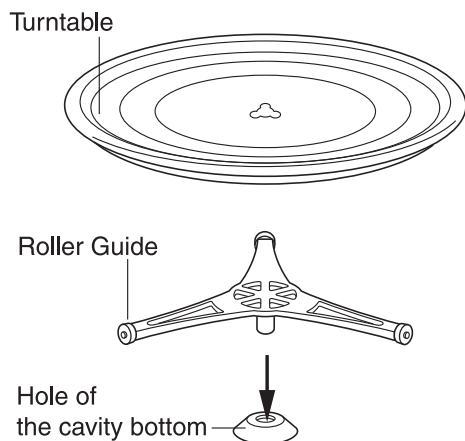
Remove the oven and all materials from the carton.

Your oven comes with the following accessories:

Turntable	1
Roller Guide	1
Instruction Manual and Screws	1

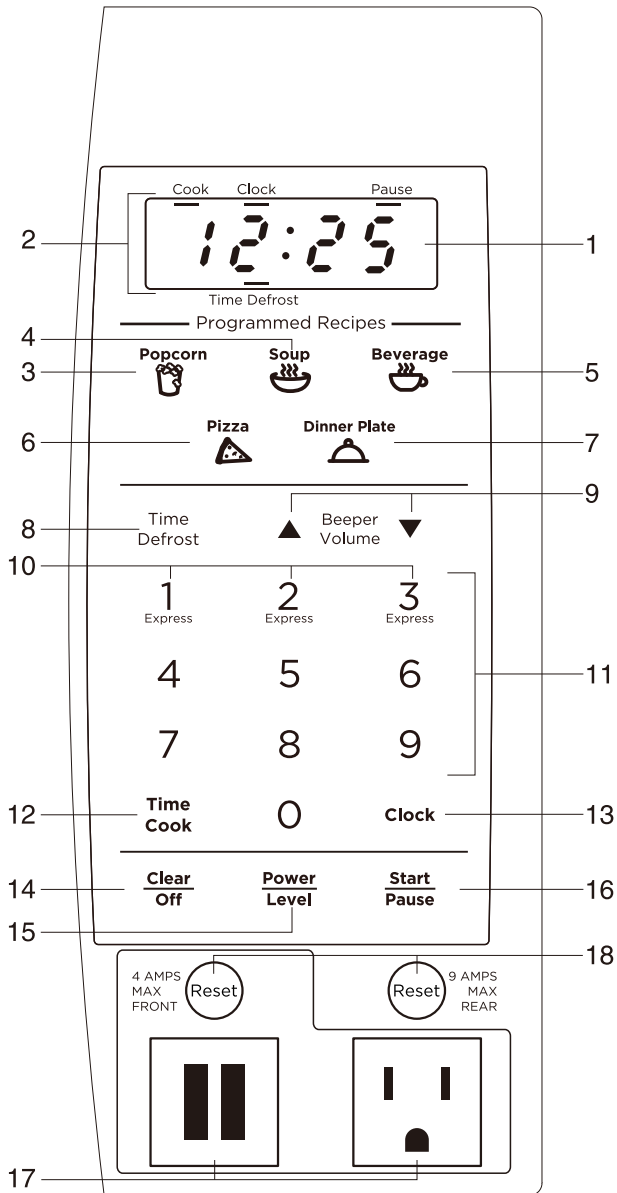


TURNTABLE INSTALLATION



1. Place the roller guide on the cavity bottom.
 2. Place the turntable on top of the roller guide as shown in the diagram. The turntable should never be restricted.
- Both turntable and roller guide must always be used during cooking.
 - All food and containers of food are always placed on this turntable for cooking.
 - This turntable rotates clockwise or counterclockwise; this is normal.

CONTROL PANEL AND FEATURES



(1) Display Window

Counts down cooking time in seconds during cooking. Shows clock time when oven is not in use.

(2) Indicators

Cook: A flashing indicator shows you that a Cook cycle is functioning.

Clock: Indicates that the display is in the time of day mode.

Pause: A flashing indicator shows that the oven is off, but a cooking program is held in memory.

Time Defrost: A flashing indicator shows you that a Time Defrost cycle is functioning.

Programmed Recipes

- (3) **Popcorn** (page 8)
- (4) **Soup** (page 9)
- (5) **Beverage** (page 9)
- (6) **Pizza** (page 10)
- (7) **Dinner Plate** (page 10)
- (8) **Time Defrost** (page 11)
- (9) **Beeper Volume** (page 13)
- (10) **Express Cook** (page 13)
- (11) **Number Pads**
- (12) **Time Cook** (page 11)
- (13) **Clock** (page 7)
- (14) **Clear/Off** (page 7)
- (15) **Power Level** (page 12)
- (16) **Start/Pause**
- (17) **Charger Outlets** (page 14)
- (18) **Reset Buttons** (page 14)

OPERATING INSTRUCTIONS

SETTING CLOCK

When the oven is first plugged in, the display will flash "0:00" and a tone will sound. If the AC power ever goes off, the display will flash "0:00" when the power comes back on.

To set the clock under the above circumstances, simply enter the correct time of day and then touch the Clock pad.

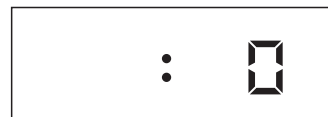
NOTE:

If the oven is used before the present time is set, the display will show "0" after the cooking is completed and the door is opened. To reset present time in the display window when the oven is off, touch the Clock pad. The colon starts blinking. Enter the correct present time by following the procedures. An improper entry will cause the display to show "Err" and the oven will beep. Repeat steps 1 through 4 entering the correct present time.

Clear Off

1. Touch the **Clear/Off** pad.

The display will show "0".



Clock

2. Touch the **Clock** pad.

The display will flash "0:00" and a tone will sound.



3. Enter the correct time of day.

EXAMPLE: To set the time to "10:12", touch "1", "0", "1", "2" in sequence.

The display will show the numbers you pressed in the order you pressed them.



Clock

4. Touch the **Clock** pad.

The display will show the present time and the colon will stop blinking. The 12 hour digital clock allows you to set it from "1:00" to "12:59".



CHILD LOCK-OUT

The child lock prevents unwanted oven operation by small children. The oven can be set so that the control panel is deactivated or locked.

To set Child Lock

1. Touch the "0" pad once.
(No beep sound is heard.)

Start
Pause

2. Touch the **Start/Pause** pad 5 times.
(Beep sound is only heard after the 5th touch.)

The display will show "LO C"



To cancel Child Lock

1. Touch the "0" pad once.
(No beep sound is heard.)

Start
Pause

2. Touch the **Start/Pause** pad 5 times.
(Beep sound is only heard after the 5th touch.)

The display will return to the present time.



POPCORN

Place the popcorn package (3.3 oz) onto a microwaveable dish in the oven and close the door.

Popcorn



1. Touch the **Popcorn** pad.

Start
Pause

2. Touch the **Start/Pause** pad.

When the **Popcorn** pad is touched, the display will show "PO P"



When the **Start/Pause** pad is touched, the display will count down the cooking time of 2:55 and will beep 5 times when cooking is completed. The display will show "End."



NOTES:

1. Microwave popcorn bag should be at room temperature.
2. Use only 1 package (approx. 3.3 oz) at a time. Follow package instructions. Do not increase quantity.
3. Use only a microwaveable popcorn package in the microwave oven.
4. Do not try to pop unpopped kernels.
5. Do not leave the oven unattended while popping popcorn. If the popcorn does not pop sufficiently, do not press the **Popcorn** pad again as the popcorn may burn. Check the popcorn bag for cooking instructions.
6. When opening the package, face it away from you to avoid contact with any steam released.
7. Popcorn popping devices are not recommended for use with this feature.

SOUP

Use the Soup feature to heat up to 2 cups (9 oz per cup) of soup.



1. Touch the **Soup** pad repeatedly until the desired number of cups appear in the display window.

EXAMPLE: To select 2 cups, touch the **Soup** pad 2 times; "SU P2" will appear in the display.



NOTE: Up to 2 cups of soup can be heated.
Heating time is as follows:

1 Cup (SU P1): 2 min.: 10 sec.
2 Cups (SU P2): 4 min.: 00 sec.

Start
Pause

2. Touch the **Start/Pause** pad.

When the **Start/Pause** pad is touched, the oven will start heating. The display will count down remaining heating time and will beep 5 times when cooking is completed. The display will show "End."



BEVERAGE

Use the Beverage feature to heat up to 2 cups (9 oz per cup) of beverage.



1. Touch the **Beverage** pad repeatedly until the desired number of cups appear in the display window.

EXAMPLE: To select 2 cups, touch the **Beverage** pad 2 times; "CU P2" will appear in the display.



NOTE: Up to 2 cups of beverage can be heated.
Heating time is as follows:

1 Cup (CU P1): 2 min.: 00 sec.
2 Cups (CU P2): 3 min.: 45 sec.

Start
Pause

2. Touch the **Start/Pause** pad.

When the **Start/Pause** pad is touched, the oven will start heating. The display will count down remaining heating time and will beep 5 times when cooking is completed. The display will show "End."



PIZZA

Use the Pizza feature to reheat precooked sliced Pizza from the refrigerator. (4 oz per slice)

1 Slice (P 1): 45 sec.
2 Slices (P 2): 1 min.: 15 sec.

Pizza



1. Touch the **Pizza** pad once or twice.

Start Pause

2. Touch the **Start/Pause** pad.

When the **Pizza** pad is touched, the display will show "P 1".



When the **Start/Pause** pad is touched, the display will count down the remaining cooking time in minutes and seconds and will beep 5 times when cooking is completed. The display will show "End."



REHEATING (DINNER PLATE)

Use the Dinner Plate feature to reheat precooked foods from the refrigerator.

Dinner Plate



1. Touch the **Dinner Plate** pad once for regular amount, and twice for a smaller amount of food.

EXAMPLE: For regular amount of food, touch the **Dinner Plate** pad once. "L" will be displayed. (For a smaller amount "S" will be displayed.)



REGULAR: A regular amount of food: Approx. 9 oz (for example, 4 oz sliced meat or poultry, 3 oz potato or rice and 2 oz vegetables or equivalent.)
SMALL: A small amount of food: Approx. 6 oz.

Regular (L): 3 min.: 15 sec.
Small (S): 2 min.: 00 sec.

Start Pause

2. Touch the **Start/Pause** pad.

When the **Start/Pause** pad is touched, the display will count down the remaining cooking time in minutes and seconds and will beep 5 times when cooking is completed. The display will show "End."



TIME DEFROST

TIME DEFROST lets you easily defrost foods by eliminating guesswork in determining defrosting power. Follow these steps for easy defrosting. If additional defrosting is needed, repeat for a short time, or until defrosting is complete.

Time
Defrost

1. Touch the **Time Defrost** pad once for each minute of defrosting desired, up to 10 minutes.

EXAMPLE: Touch TIME DEFROST once and the display will show "1.00" and the TIME DEFROST indicator will light.



Start
Pause

2. Touch the **Start/Pause** pad.

When the **Start/Pause** pad is touched, the TIME DEFROST indicator will blink, the display will count down the remaining defrosting time in minutes and seconds and will beep 5 times when defrosting is completed. The display will show "End."

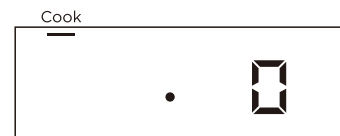
TIME COOK

Use the 10 key pads (number pads) to select a cooking time in minutes and seconds, up to ten minutes.

Time
Cook

1. Touch the **Time Cook** pad.

The display will show "0"



2. Enter the cooking time.

EXAMPLE: To set the cooking time to "9.40", touch "9", "4" and "0" in sequence.



Enter a power level using the numbered pads (1–9). Note that touching pad “1” will produce a 10% power level, pad “2” will produce a 20% power level, etc., through pad “9” which will produce a 90% power level. If the selection is omitted, the oven will automatically cook at full power (100%).

Power Level

3. Enter the Power Level.
If cooking at full power (100%), omit this step and the oven will cook at full (100%) power.

Start Pause

4. Touch the **Start/Pause** pad.

EXAMPLE: To select 30% power, touch the POWER LEVEL pad and then “3”. The display will show “PL 3”.



COOK indicator will blink, the display will count down the remaining cooking time in minutes and seconds and will beep 5 times when cooking is completed. The display will show “End.”



WATTAGE OUTPUT CHART

Press	Power Level	Wattage Output
none	10	700
9	9	630
8	8	560
7	7	490
6	6	420
5	5	350
4	4	280
3	3	210
2	2	140
1	1	70

EXPRESS COOK

Use this feature to quickly set a short cooking time (1 to 3 minutes) at 100% power. (PL 10).

1
Express

1. Touch the **1 Express** pad once. The display will show 1 minute, and the oven will immediately begin cooking.

NOTE:

For 2 minutes touch the **2 Express** pad once.
For 3 minutes touch the **3 Express** pad once.

The **Cook** indicator will light, the oven will begin cooking and the display will count down the remaining cooking time.






When the **Express Cook** time ends, you will hear 5 beeps. The display will show "End."

BEEPER VOLUME

You may adjust the beeper volume to one of three levels or mute by pressing the up and down pads.

▲ up/louder ▼ down/quieter/mute

When the oven is first plugged in, the beeper volume will automatically set itself at the maximum or loudest level. Each touch of the ▼ pad will reduce the volume and then mute the beeper. Each touch of the ▲ pad will stop the mute feature and then increase the beeper volume. Each time the ▲ or ▼ pad is pressed the oven will beep at the selected volume level. There will be no beeper sound when mute is selected.

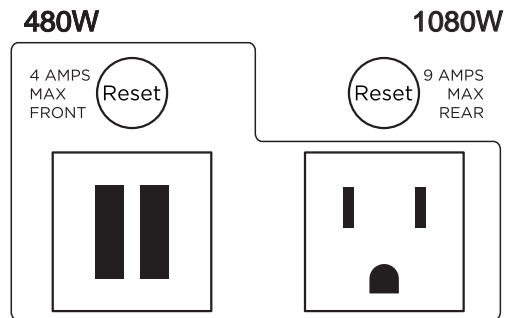
When plugged in.	Maximum 	Push ▲ three times.
Push ▼ once.	Medium 	Push ▲ twice.
Push ▼ twice.	Quiet 	Push ▲ once.
Push ▼ three times.	Mute	

TO STOP THE OVEN WHILE IT IS OPERATING

1. Press the Clear/Off pad.
 - The Pause indicator will start blinking.
 - The oven can be restarted by pressing the Start/Pause pad.
 - Touch the Clear/Off pad one more time to erase all instructions.
 - You must enter new instructions.
2. Open the door.
 - You can restart the oven by closing the door and touching the Start/Pause pad.

CHARGER AND REAR OUTLETS

Use one or both of the two convenient USB ports and 120 VAC outlet located on the front of the oven to charge cell phones, digital cameras, tablets, laptops or similar low power devices. The outlets are limited to 4 AMPS or 480 Watts maximum.



A) Charger Outlets Operation

1. **Charger Outlets are always active unless the microwave is running.**
2. **Each Charger Outlet is monitored for load; loads in excess of 4.0 amperes or 480 Watts will cause the Charger Outlets to become inactive.**
3. **Once the Charger Outlet has become inactive due to excessive load, the user must unplug the load and press the Charger Reset button one time to restore power to the Charger Outlet. Do not hold or tape the Charger Reset button in the down position.**

B) Charger Lamp Operation

1. **When the Charger Outlet is active (power at the outlet), the Charger Lamp is OFF.**
2. **When the Charger Outlet is inactive (No power at the outlet), the Charger Lamp is ON.**
3. **When the Charger Outlet is inactive due to the microwave operation, the Charger Lamp is OFF.**

WARNING: Be careful not to entrap any charger cords in the microwave door.

1ST DEFENSE™ SMOKE SENSOR

This microwave oven is equipped with a patent-pending, built in 1st Defense™ Smoke Sensor to automatically shut off the oven before a cavity fire can occur. Should the oven shut off due to excessive smoke the display will show "Err1" and the oven will beep 3 times.

Before reaching into this appliance, look through the window. If you can remove the food item without injuring yourself, open the oven door and carefully remove the food item emitting smoke. Leave the oven door open for a few minutes to allow the smoke to clear.

To re-start the oven with another food item touch the Clear / Off pad, insert the food item into the oven and close the door. Select the desired cooking program for the new food item and touch the Start / Pause pad.

Should the oven immediately shut off, display "Err1" and beep 3 times. Open the oven door to allow the smoke from the previous cooking session to clear before attempting to re-start the oven.

MicroFridge® with Safe Plug™, a Product of INTIRION™ Corporation Microwave Oven and Refrigerator/Freezer Residential Limited Warranty

INTIRION, a division of Danby Limited, is pleased to provide a comprehensive warranty on these products. INTIRION takes pride in its product and manufacturing standards and warrants its products and parts against defects in materials or workmanship to the original purchaser.

<u>Subassembly</u>	<u>Duration</u>
• Microwave oven magnetron	2 years
• Refrigerator/freezer sealed system and compressor	2 years
• Microwave oven and refrigerator/freezer mechanical components	1 year

All requests for service should be directed to Customer Service at INTIRION by calling 1-800-637-7567 if you are located in the U.S., and 1-800-263-2629 if you are located in Canada. INTIRION offers a quick response customer service program. Customer Service will diagnose the problem and either promptly replace or repair the unit, at the discretion of INTIRION.

MicroFridge® with Safe Plug™ warranty services are performed by **INTIRION authorized** service providers. INTIRION expects prompt, courteous and efficient service. INTIRION further expects that all **authorized service providers** will make every reasonable effort to enhance the image and reputation of INTIRION and its products. Inadequate service or customer dissatisfaction should be promptly reported to INTIRION.

Damage initiated by spark fires caused by using inappropriate material inside the microwave oven is specifically excluded from this warranty. INTIRION assumes no liability and does not guarantee or warrant any repairs and/or replacement parts not supplied or performed by an **authorized service provider**, nor any 50/60 cycle or 60/50 cycle conversions, damage caused by failure to follow the owner's manual as to adjustments and/or maintenance, customer adjustments that are not covered in the instruction booklet, broken or marred cabinet, misuse, neglect, accident, fire, flood or other acts of nature.

THIS WARRANTY WILL BECOME INVALID IF ANY SERIAL NUMBER ON THE PRODUCT IS ALTERED, REPLACED, DEFACED OR MISSING. THIS WARRANTY IS FOR INTIRION PRODUCTS PURCHASED AND USED IN THE UNITED STATES AND CANADA EXCEPT FOR UNITED STATES POSSESSIONS AND/OR DOMINIONS OF THE UNITED STATES.

This is the entire INTIRION warranty and it may not be changed or amended by any person, agency, distributor, dealer, or company. INTIRION assumes no liability and indeed specifically denies responsibility for any consequential damages beyond the repair or replacement of the product or its components.

The warranty period begins on the date of sale and proof of that date (evidenced by an original sales slip or bill of sale) will be necessary to initiate a warranty claim.

MICROFRIDGE® WITH SAFE PLUG™, A PRODUCT OF INTIRION™ CORPORATION
 2 Annette Rd Ste 3, Foxborough, MA 02035 1-800-637-7567 U.S. Customers
 PO Box 1778, Guelph, Ontario, Canada N1H 6Z9 Canada Customers

Part No. 8336460135600A
 SR2463MF*
 Printed in China

FEDERAL COMMUNICATIONS COMMISSION RADIO FREQUENCY INTERFERENCE STATEMENT

This equipment generates and uses ISM frequencies and if not installed and used properly, that is in strict accordance with the manufacturer's instructions, may cause interference to radio and television reception. It has been type-tested and found to comply with limits for ISM Equipment pursuant to Part 18 of FCC Rules, which are designed to provide reasonable protection against such interference in a residential installation.

However, there is no guarantee that interference will not occur in particular installations. If this equipment does cause interference to radio or television reception, which can be determined by turning the equipment off and on, the user is encouraged to try to correct the interference by one or more of the following:

- Reorient the receiving antenna of radio or television.
- Relocate the microwave oven with respect to the receiver.
- Move the microwave oven away from the receiver.
- Plug the microwave into a different outlet so that microwave and receiver are on different branch circuits.

The Manufacturer is not responsible for any radio or TV interference caused by UNAUTHORIZED MODIFICATION this microwave oven. It is the responsibility of the user to correct such interference.

For your protection in the event of theft or loss of this product, please fill in the information below:

Model No. _____
(Located on cavity front)

Serial No. _____
(Located on cavity front)

Date of Purchase _____

INTIRION™
2 Annette Road, Suite 3
Foxborough, MA 02035
800-637-7567

5/15 Printed in China