

# MEDITERRANEAN

RADIANT ELECTRIC COOKTOP



**From the finest yacht galleys to your home, Kenyon Mediterranean series ceramic glass cooktops are the latest wave in cooktop design.**

Allow us to introduce you to the Mediterranean series cooktop, a sea of features enhanced by stylish muted graphics. Designed with subtly textured black glass and a beveled edge for a durable and easy-to-clean surface, plus offering protection against accidental chips from contact with the cooking vessel. This model cooktop is available in both one and two burner models, in your choice of 120, 208 or 240 Volts. Featuring push-to-turn controls, infinite heat control, and quick-to-hear radiant ribbon elements to make cooking a breeze. Add in Kenyon safety features of heat limiting cooking surface protectors, an ON indicator light for each burner, and a HOT burner indicator light for the utmost in a safe and efficient cooking experience. And protected by Kenyon's exclusive value-added 3-year product replacement warranty at no additional cost.

## Two Burner Units

### MODEL B41510

120 V AC 50/60 HZ - 22 AMP.  
1 - 6 1/2" (165MM) @ 1200 WATTS  
1 - 8" (200MM) @ 1400 WATTS

### MODEL B41591

208 V AC 50/60 HZ - 15 AMP.  
1 - 6 1/2" (165MM) @ 1200 WATTS  
1 - 8" (200MM) @ 1800 WATTS

### MODEL B41511

240 V AC 50/60 HZ - 13 AMP.  
1 - 6 1/2" (165MM) @ 1200 WATTS  
1 - 8" (200MM) @ 1800 WATTS

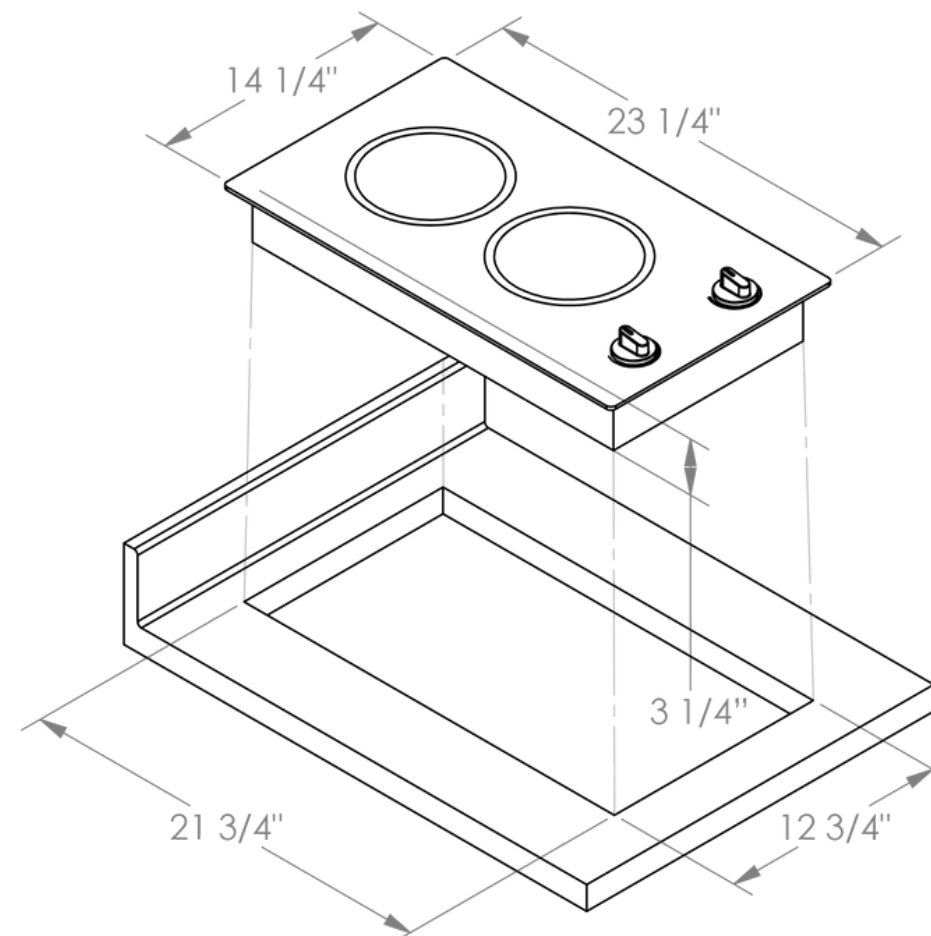
#### OVERALL DIMENSIONS:

23 1/4" X 14 1/4" X 3 1/4"  
590.6MM X 362MM X 82.6MM

#### CUTOUT DIMENSIONS:

21 3/4" X 12 3/4" WITH 1/4" RADIUS  
552.5MM X 323.9MM WITH 6.4 RADIUS

*Beveled edge glass allows for flush or proud mount in the countertop.*



## Two Burner Trimline Units

### MODEL B41515

120 V AC 50/60 HZ - 20 AMP.  
2 - 6 1/2" (165MM) @ 1200 WATTS

### MODEL B41515US

120 V AC 50/60 HZ - 20 AMP.  
2 - 6 1/2" (165MM) @ 1200 WATTS  
3-PRONG 5-20 NEMA PLUG

### MODEL B41596

208 V AC 50/60 HZ - 12 AMP.  
2 - 6 1/2" (165MM) @ 1200 WATTS  
EACH BURNER ON IT'S OWN LINE

### MODEL B41516

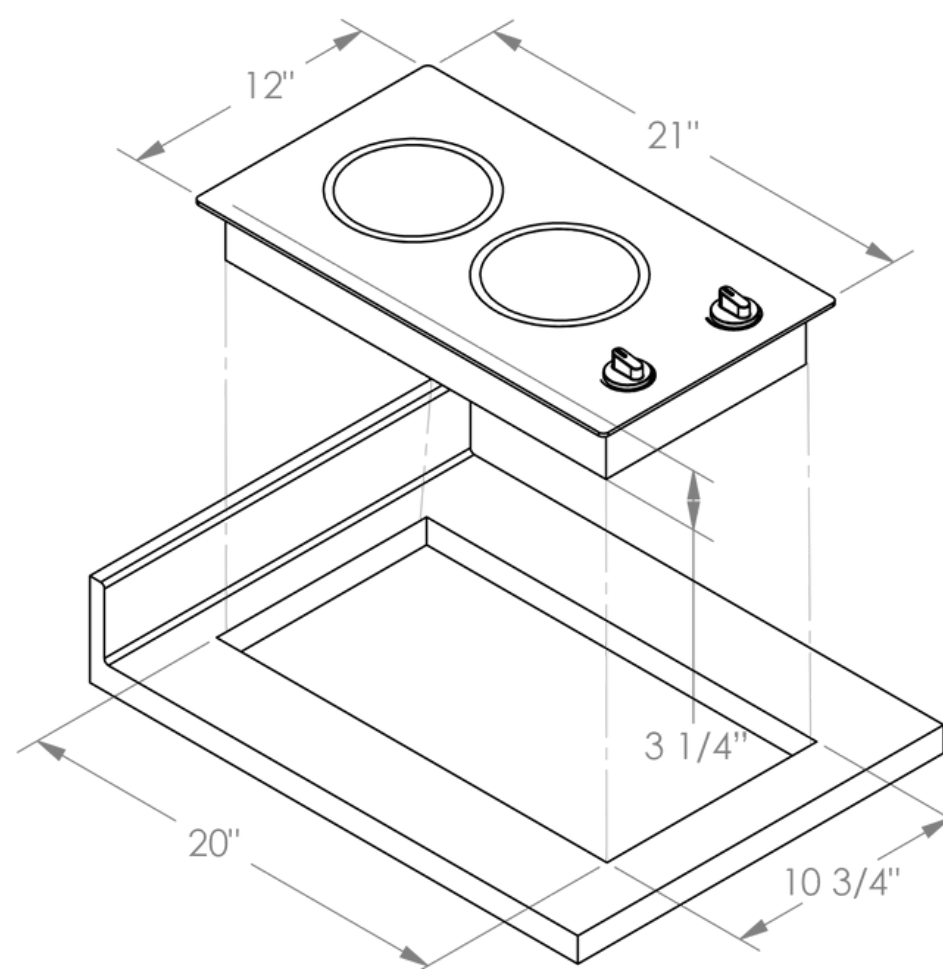
240 V AC 50/60 HZ - 10 AMP.  
2 - 6 1/2" (165MM) @ 1200 WATTS  
EACH BURNER ON IT'S OWN LINE

#### OVERALL DIMENSIONS:

21" X 12" X 3 1/4"  
533.4MM X 304.8MM X 82.6MM

#### CUTOUT DIMENSIONS:

20" X 10 3/4" WITH 1/4" RADIUS  
508MM X 273MM WITH 6.4 RADIUS



## Single Burner Units

### MODEL B41517

120 V AC 50/60 HZ - 10 AMP. 6 1/2" (165MM) @ 1200 WATTS

### MODEL B41598

208 V AC 50/60 HZ - 6 AMP. 6 1/2" (165MM) @ 1200 WATTS

### MODEL B41518

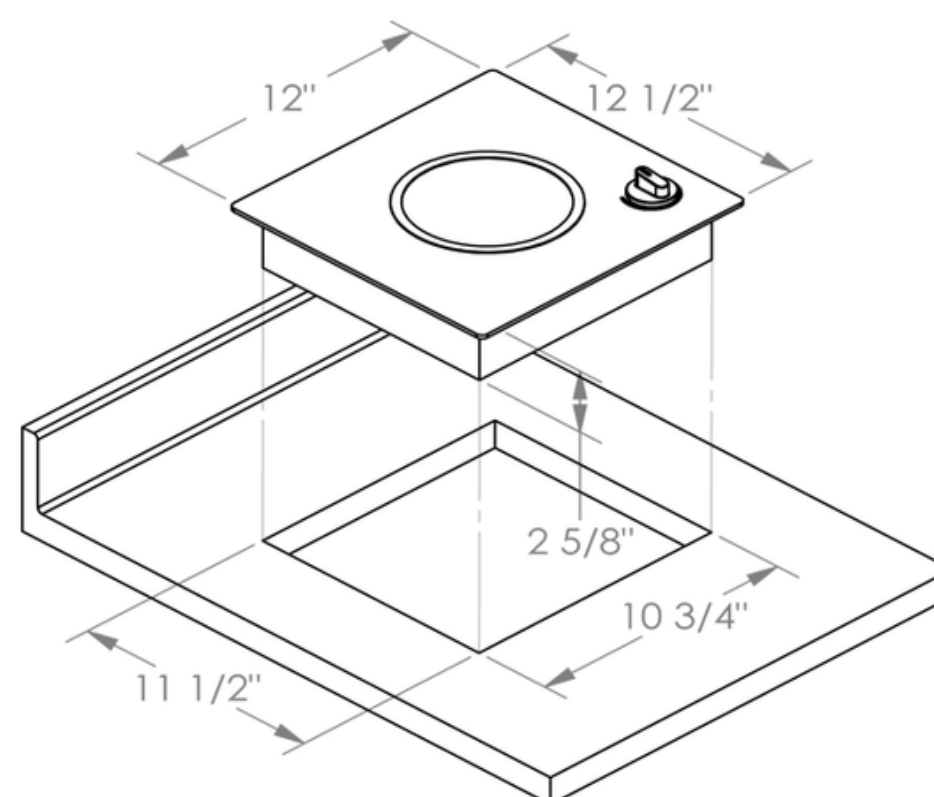
240 V AC 50/60 HZ - 5 AMP. 6 1/2" (165MM) @ 1200 WATTS

#### OVERALL DIMENSIONS:

12 1/2" X 12" X 3 1/4"  
317.5MM X 304.8MM X 82.6MM

#### CUTOUT DIMENSIONS:

11 1/2" X 10 3/4" WITH 1/4" RADIUS  
292.1MM X 273MM WITH 6.4 RADIUS



Kenyon protects your investment with our exclusive value-added 3-year product replacement warranty at no additional cost.



**KENYON**<sup>®</sup>

Kenyon International, Inc.  
P.O. Box 925, Clinton, CT 06413  
Tel: 860.664.4906  
Fax: 860.664.4907  
www.CookWithKenyon.com