

**Miele**

Fully Integrated  
18" MasterCool

F 2411 Vi

F 2461 Vi / F 2471 Vi



## Fully Integrated 18" MasterCool

SPECIFICATIONS	
Overall Unit Dimensions	17 <sup>3</sup> / <sub>4</sub> " (451 mm) W x 83 <sup>3</sup> / <sub>4</sub> " - 85 <sup>3</sup> / <sub>16</sub> " (2127 - 2164 mm) H x 24" (610 mm) D [Depth does not include door panel]
<b>Niche</b>	
Minimum Cabinet Niche Opening	18" (458 mm) W* x 84" - 85 <sup>3</sup> / <sub>16</sub> " (2134 - 2164 mm) H x 24 <sup>3</sup> / <sub>4</sub> " (629 mm) D
<b>Electrical</b>	
Electrical Requirements	F 24x1 Vi 110V / 120V, 60Hz, 15 Amps In the case of side-by-side installations, a separate outlet must be used for each appliance.
Power Cord	NEMA 5-15 plug, 5 ft (1.52 m)
<b>Plumbing</b>	
Water Supply Requirements	Connect to a cold water supply only. Do not connect to a low-mineral or a reverse osmosis system. Must be connected to a shut-off valve. The water shut-off valve must be accessible after installation. The water pressure must be between 29 psi (2 bar) and 116 psi (8 bar). If the pressure is higher than 120 psi (8.3 bar), a pressure reducing valve must be installed.
Water Connection Line	Standard 1/4" O.D flexible water line. The maximum outer diameter of the water pipe (without fittings): 3/8" (10 mm). Water line is not included.
<b>Shipping</b>	
Shipping Weight	F 2411 Vi: 306 lbs (139 kg) F 2461 Vi / F 2471 Vi: 328 lbs (149 kg)
Shipping Dimensions	21 <sup>1</sup> / <sub>16</sub> " (535 mm) W x 84 <sup>1</sup> / <sub>4</sub> " (1,240 mm) H x 29 <sup>7</sup> / <sub>8</sub> " (759 mm) D
<b>Support</b>	
Call Miele	(800) 999-1360
Miele Website	~www.mieleusa.com
20/20 Link	~2020technologies.com

Please note the following:

- This specification sheet is for a single built-in unit.
- When combining multiple MasterCool units side-by-side, please refer to the Merging Kit specification sheet.

\*If design calls for a partition less than 6 <sup>5</sup>/<sub>16</sub>" (160 mm) the left unit's cutout will require an additional <sup>1</sup>/<sub>8</sub>" (3 mm) to the width to allow installation of the Heating Mat/Merge Kit.



F 2411 Vi (Left Hinged)  
Item 37241101USA



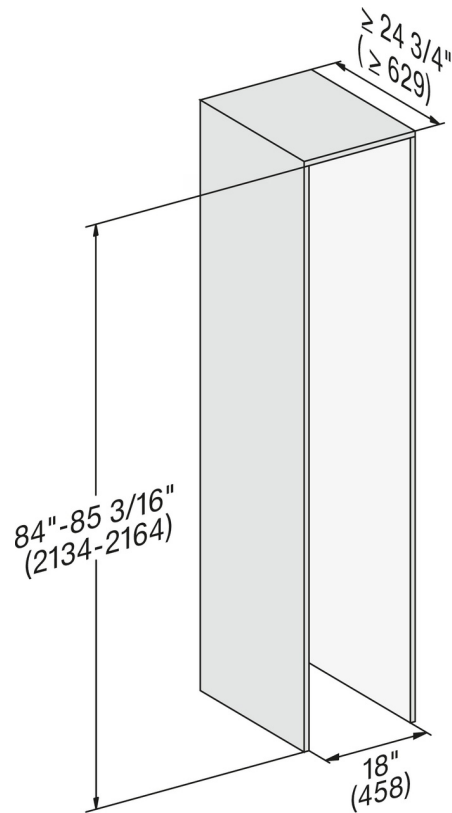
F 2461 Vi (Right Hinged)  
Item 37246101USA

F 2471 Vi (Left Hinged)  
Item 37247101USA

## Fully Integrated 18" MasterCool

### CUTOUT DIMENSIONS

- Niche depth assumes a 3/4" (19 mm) panel, please adjust according to custom panel thickness

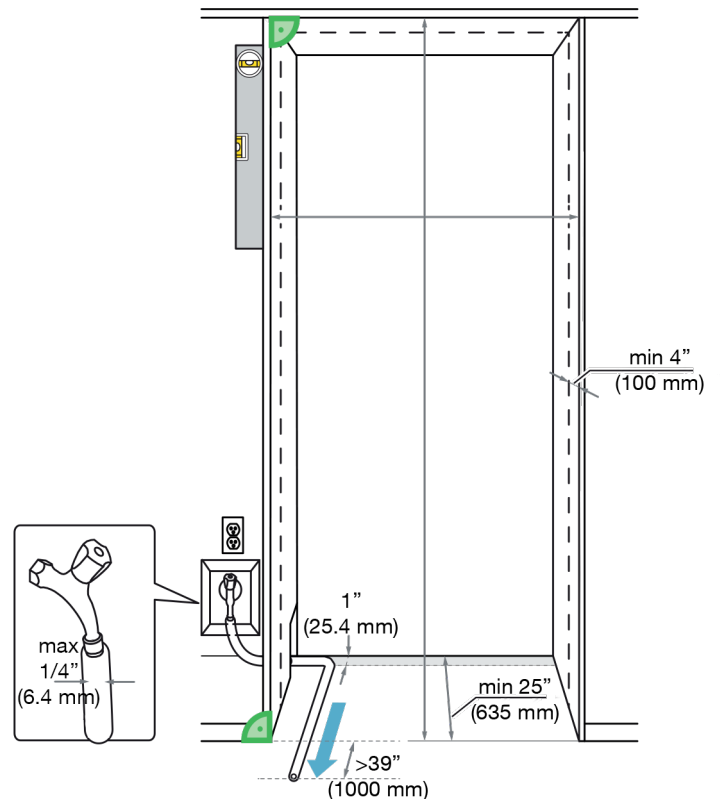


### CUTOUT DETAILS

- The electrical connection must not be positioned higher than 9" (228.6 mm) above the floor.
- The 1/4" (6.4 mm) plumbed water connection should not be positioned higher than 2" (50.8 mm) above the floor.

#### Notes:

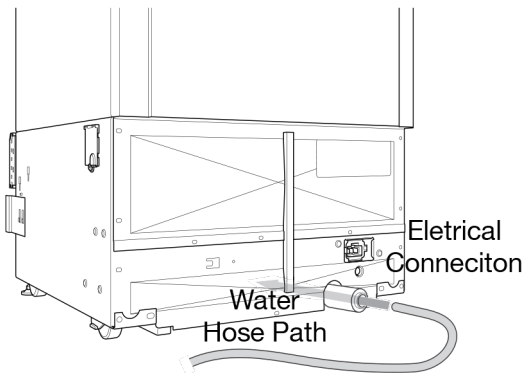
In case of an emergency the electrical outlet must be easily accessible and must not be concealed behind the appliance.



## Fully Integrated 18" MasterCool

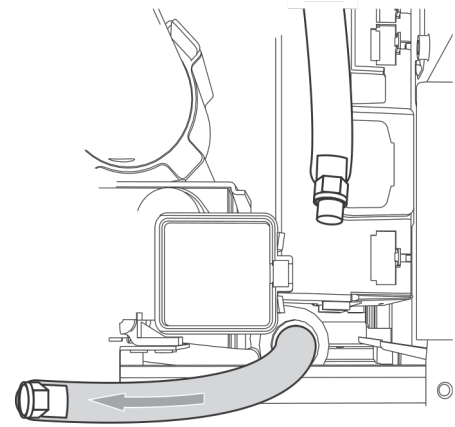
### POWER SUPPLY AND WATER CONNECTION

Rear View



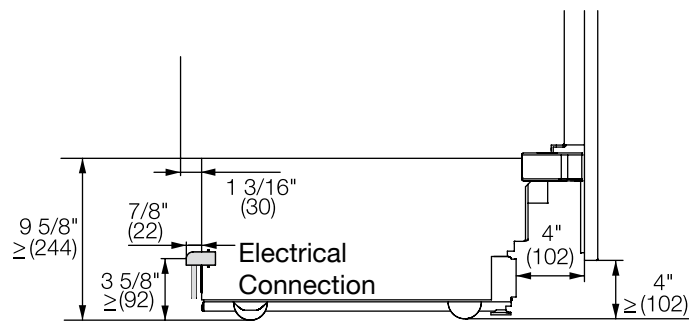
Electrical - 5 foot (1.52 m) - 120 Volt - 15 Amp  
- NEMA 5-15 molded plug  
Water line - 1/4" flexible water line - not included

Front View



Water connection is located in front of unit.  
1/4" compression fitting is needed.

Side View

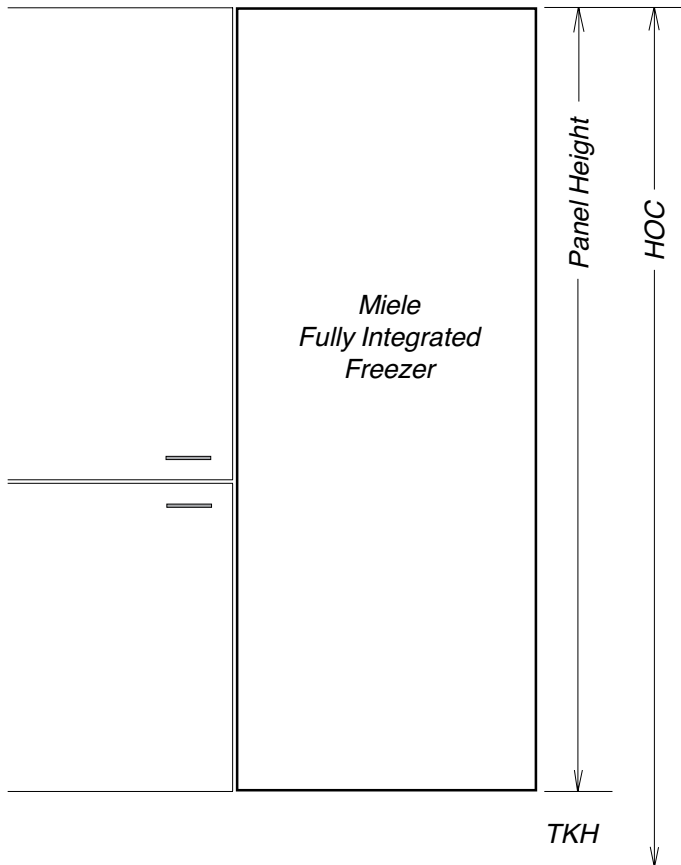


## Fully Integrated 18" MasterCool | F 2411 Vi

### CUSTOM PANEL INSTALLATIONS

**These units do not come equipped with a front panel.** They are designed to accept a custom door panel supplied by the cabinet maker. Miele has a unique panel integration system which allows the panels to align with the surrounding cabinets.

Panel size is determined in the following manner:



**Width:** Minimum 17 3/4" (451 mm)

**Thickness:** Minimum 3/4" (19 mm) outside frame

**Height:** Determined using the following calculation:

$$\text{Panel Height} = \text{HOC} - \text{TKH}$$

**HOC** = Total height of cabinet or side panel

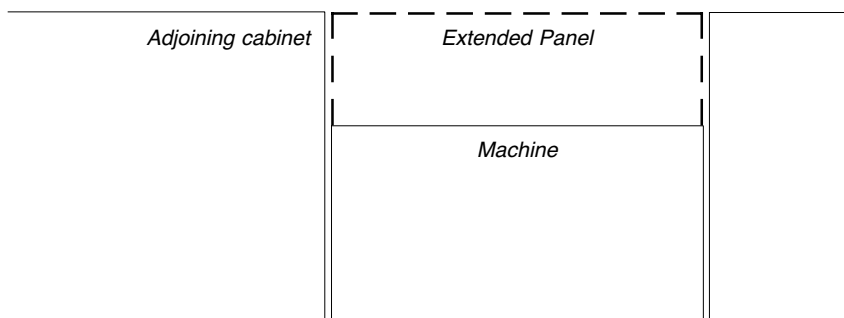
**TKH** = Toe-kick height

**Note:** Finish back side of panels to insure appearance  
Panel may extend above unit. This is **not** considered in height calculation

**Maximum panel weight:** 123 Pounds

## Panel Notes

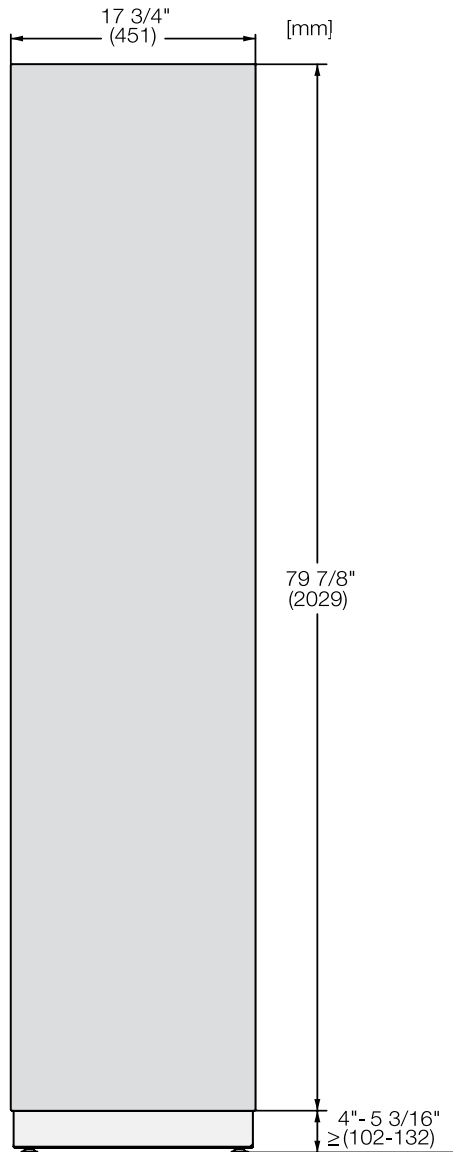
If the adjoining cabinets are taller than the height of machine (HOM) - the front panel may be extended accordingly. Simply maintain the toekick height and extend the panel the needed distance.



## Fully Integrated 18" MasterCool | F 2411 Vi

### DOOR PANEL DIMENSIONS KFP1804 - Door Panel

Available as an accessory  
for the following models:  
• F 2411 Vi

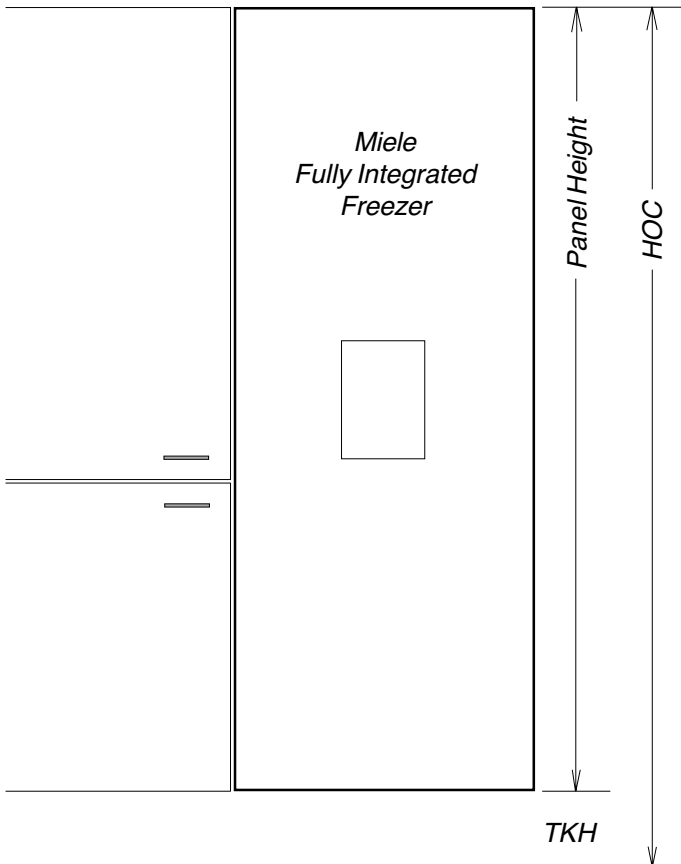


Fully Integrated  
18" MasterCool | F 2461 Vi / F 2471 Vi

## CUSTOM PANEL INSTALLATIONS

**These units do not come equipped with a front panel.** They are designed to accept a custom door panel supplied by the cabinet maker. Miele has a unique panel integration system which allows the panels to align with the surrounding cabinets.

Panel size is determined in the following manner:



**Width:** 17 3/4" (451 mm) in all cases

**Thickness:** Minimum 3/4" (19 mm) outside frame

**Height:** Determined using the following calculation:

$$\text{Panel Height} = \text{HOC} - \text{TKH}$$

**HOC** = Total height of cabinet or side panel

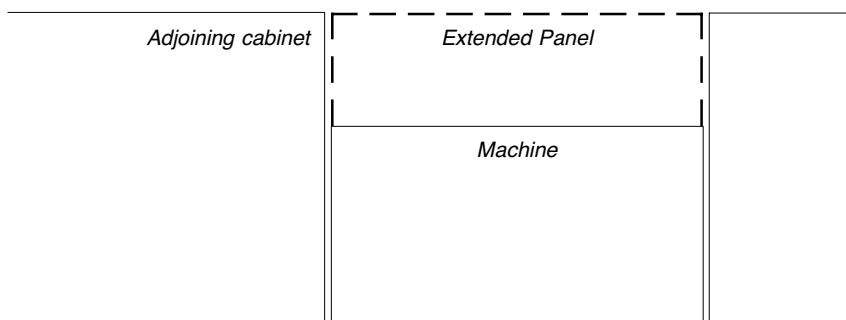
**TKH** = Toe-kick height

**Note:** Finish back side of panels to insure appearance  
Panel may extend above unit. This is **not** considered in height calculation

**Maximum panel weight:** 143 Pounds

## Upper Panel Notes

If the adjoining cabinets are taller than the height of machine (HOM) - the front panel may be extended accordingly. Simply maintain the toekick height and extend the panel the needed distance.

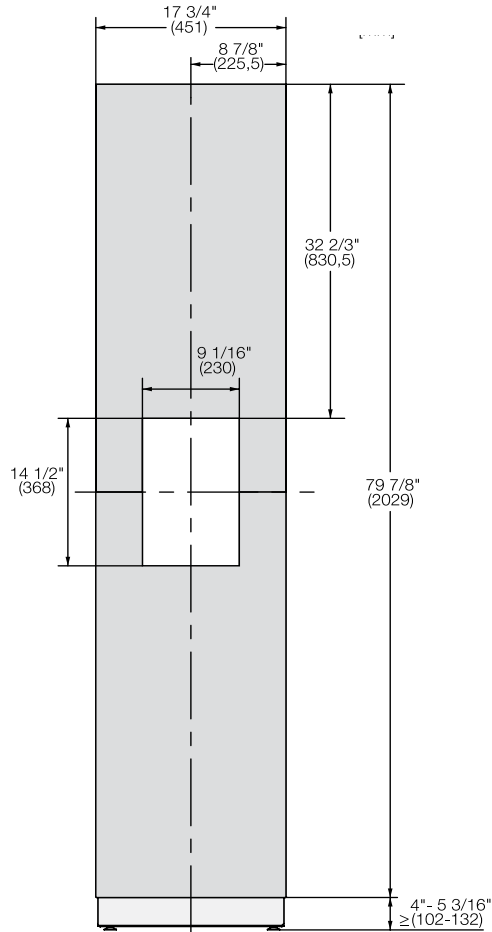


## Fully Integrated 18" MasterCool | F 2461 Vi / F 2471 Vi

### DOOR PANEL DIMENSIONS & DISPENSER CUTOUT KFP 1844 - Door Panel

Available as an accessory  
for the following models:

- F 2461 Vi
- F 2471 Vi



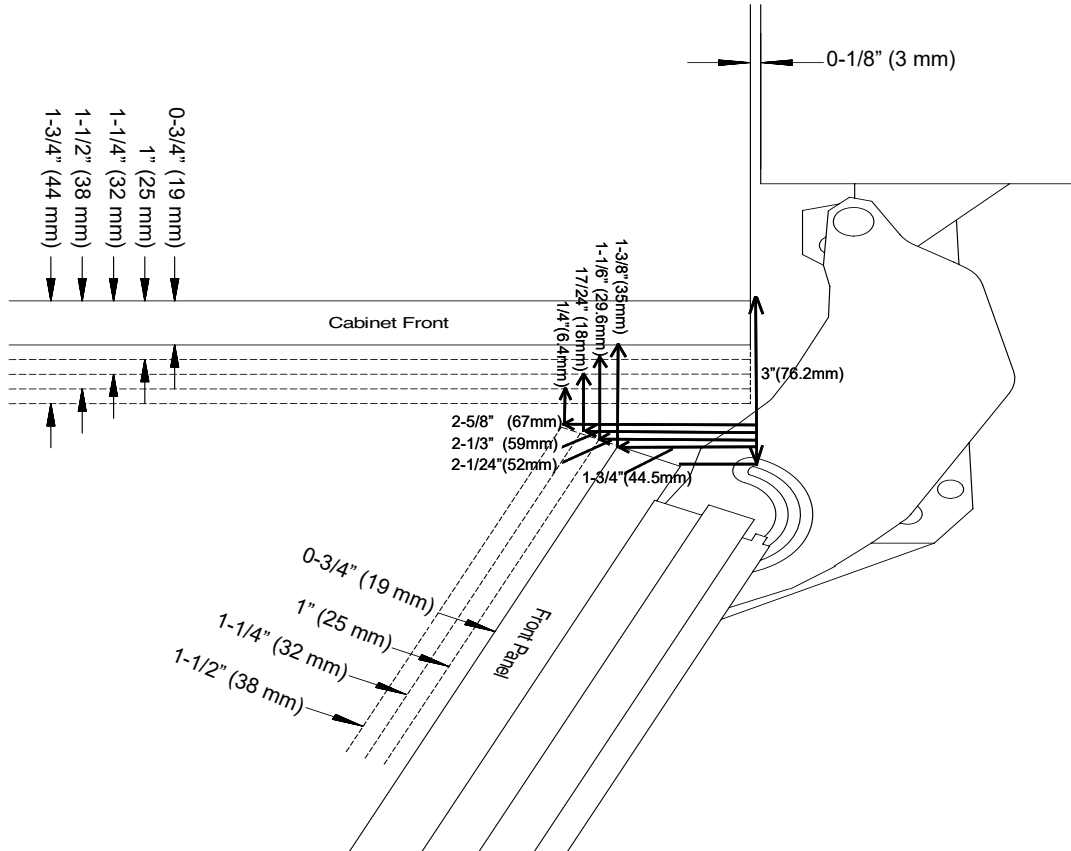


## Fully Integrated 18" MasterCool

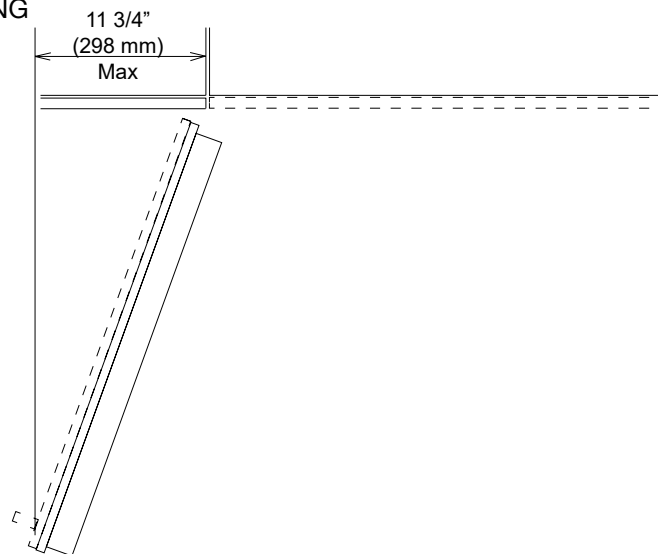
### HINGING DETAILS 115° OPENING

Available for the following models:

- F 24x1 Vi



### DOOR SWING AT 115° OPENING



**NOTE:** Additional space needed depending on thickness of front panels and handle used