

Miele

Fully Integrated 30" MasterCool

All Refrigerator:

K 2802 Vi / K 2812 Vi

All Freezer:

F 2802 Vi / F 2812 Vi

Bottom Mount:

KF 2802 Vi / KF 2812 Vi



Shown: F 2472 Vi merged with K 2802 Vi

Info subject to change

mieleusa.com

Miele Help Desk (P): (800) 999-1360

Fully Integrated 30" MasterCool

SPECIFICATIONS			
Overall Unit Dimensions	29 ³ / ₄ " (756 mm) W x 83 ³ / ₄ " - 85 ³ / ₁₆ " (2127 - 2164 mm) H x 24" (610 mm) D [Depth does not include door panel]		
Niche			
Minimum Cabinet Niche Opening	30" (762 mm) W* x 84" - 85 ³ / ₁₆ " (2134 - 2164 mm) H x 24 ³ / ₄ " (629 mm) D		
Electrical	K 28x2 Vi	F 28x2 Vi	KF 28x2 Vi
Electrical Requirements	110V / 120V, 60Hz, 15 Amps In the case of side-by-side installations, a separate outlet must be used for each appliance.		
Power Cord	NEMA 5-15 plug, 5 ft (1.52 m)		
Plumbing	K 28x2 Vi	F 28x2 Vi	KF 28x2 Vi
Water Supply Requirements	-	Connect to a cold water supply only. Do not connect to a low-mineral or a reverse osmosis system. Must be connected to a shut-off valve. The water shut-off valve must be accessible after installation. The water pressure must be between 29 psi (2 bar) and 116 psi (8 bar). If the pressure is higher than 120 psi (8.3 bar), a pressure reducing valve must be installed.	
Water Connection Line	-	Standard 1/4" O.D flexible water line. The maximum outer diameter of the water pipe (without fittings): 3/8" (10 mm). Water line is not included.	
Shipping	K 28x2 Vi	F 28x2 Vi	KF 28x2 Vi
Shipping Weight	395 lbs (179 kg)	399 lbs (181 kg)	450 lbs (204 kg)
Shipping Dimensions	33 ⁵ / ₈ " (950 mm) W x 89 ¹³ / ₁₆ " (1,294 mm) H x 29 ¹ / ₄ " (800 mm) D		

Please note the following:

- This specification sheet is for a single built-in unit.
- When combining multiple MasterCool units side-by-side, please refer to the Merging Kit specification sheet.

*If design calls for a partition less than 6 ⁵/₁₆" (160 mm) the left unit's cutout will require an additional ¹/₈" (3 mm) to the width to allow installation of the Heating Mat/Merge Kit.



K 2802 Vi (Right Hinged)
Material# 11502590

K 2812 Vi (Left Hinged)
Material# 11502640



F 2802 Vi (Right Hinged)
Material# 11503330

F 2812 Vi (Left Hinged)
Material# 11503340



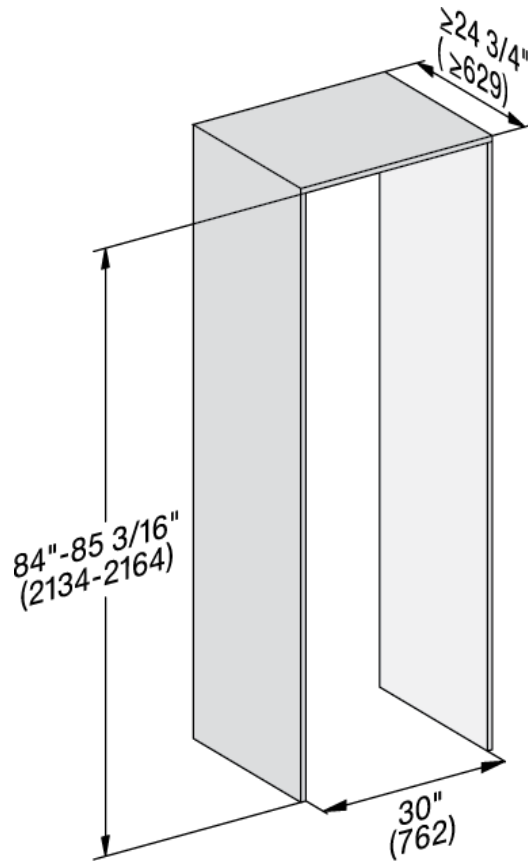
KF 2802 Vi (Right Hinged)
Material# 11502850

KF 2812 Vi (Left Hinged)
Material# 11502870

Fully Integrated 30" MasterCool

CUTOUT DIMENSIONS

- Niche depth assumes a 3/4" (19 mm) panel, please adjust according to custom panel thickness

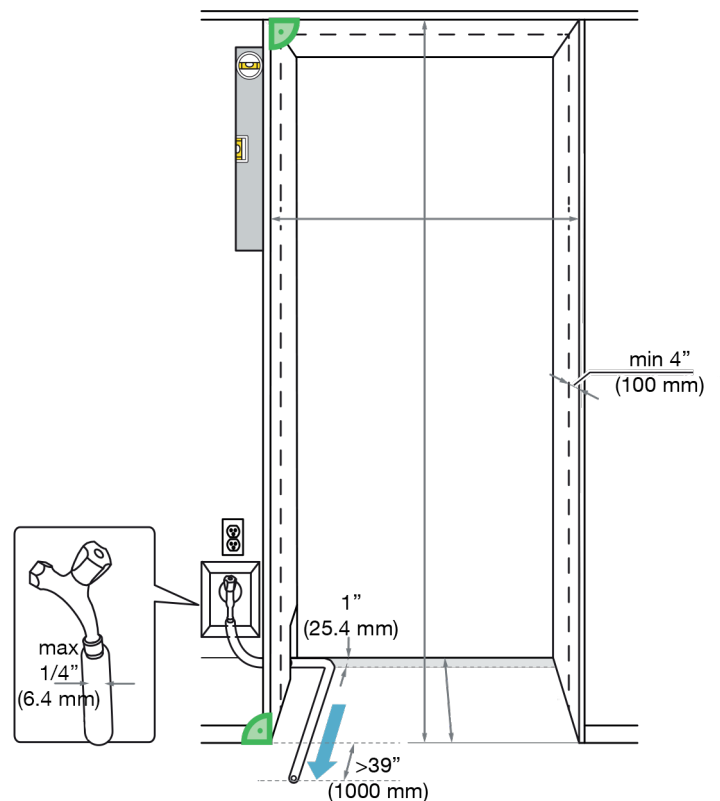


CUTOUT DETAILS

- The electrical connection must not be positioned higher than 9" (228.6 mm) above the floor.
- The 1/4" (6.4 mm) plumbed water connection should not be positioned higher than 2" (50.8 mm) above the floor.

Notes:

In case of an emergency the electrical outlet must be easily accessible and must not be concealed behind the appliance.

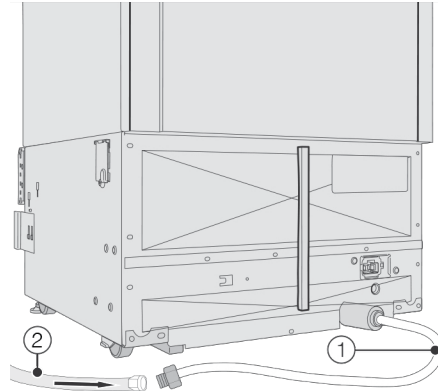


Fully Integrated 30" MasterCool

POWER SUPPLY AND WATER CONNECTION

(Water Connection For F 28x2 Vi & KF 28x2 Vi Only)

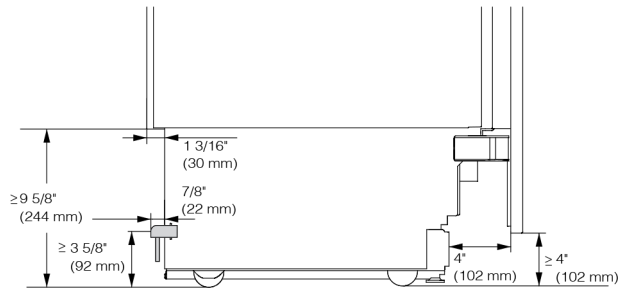
Rear View



Water Connection:

- 1/4" water line is required
- Located at the rear of the appliance on a 4' 11" line.
- 1/4" compression fitting, ready to accept 1/4" line.

Side View



Notes:

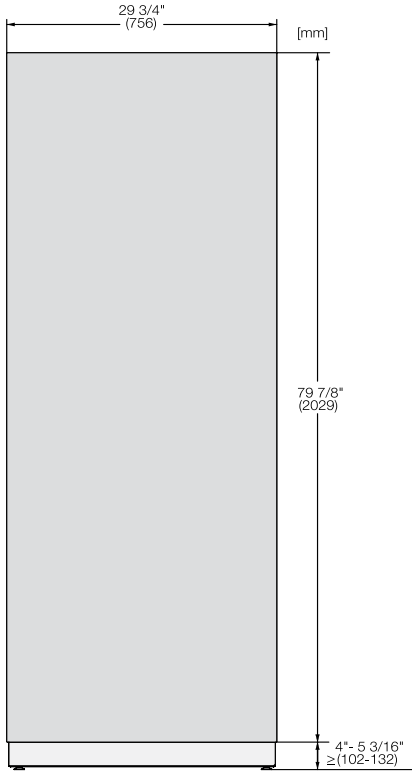
- In case of an emergency the electrical outlet and water shutoff must be easily accessible and must not be concealed behind the appliance.
- In the event that connection points are located behind the unit the electrical outlet and water connection should be located no higher than 9 5/8" from the floor.

Fully Integrated 30" MasterCool

CUSTOM PANEL INSTALLATIONS

For Models:

- F 2802 Vi • F 2812 Vi
- K 2802 Vi • K 2812 Vi

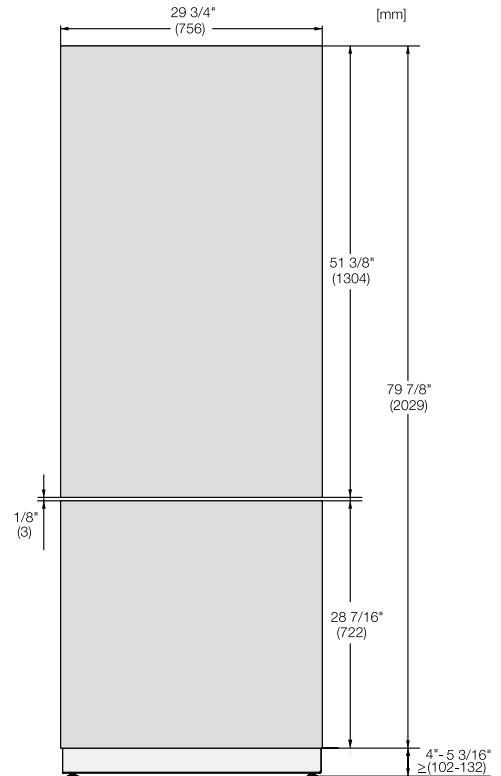


Max. Panel Weight:
F 28x2 Vi - 77 lbs
K 28x2 Vi - 106 lbs

Optional Accessory:
Clean Touch Steel Panel:
• KFP 3005
Material# 11499080

For Models:

- KF 2802 Vi • KF 2812 Vi

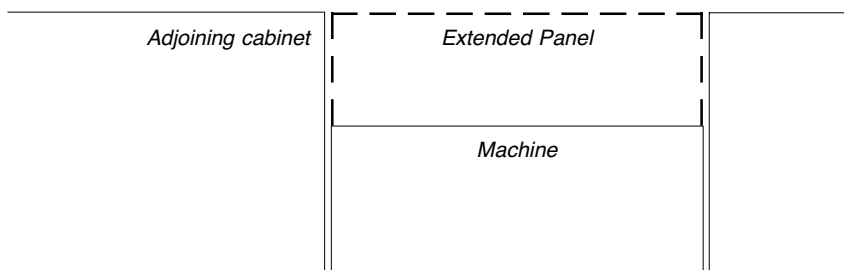


Max. Top Panel Weight: 99 lbs
Max. Bottom Panel Weight: 39 lbs

Optional Accessory:
Clean Touch Steel Panel:
• KFP 3015 - Top Panel
Material# 11499120
• KFP 3025 - Bottom Panel
Material# 11499130

Panel Notes

If the adjoining cabinets are taller than the height of machine (HOM) - the front panel may be extended accordingly. Simply maintain the toekick height and extend the panel the needed distance.

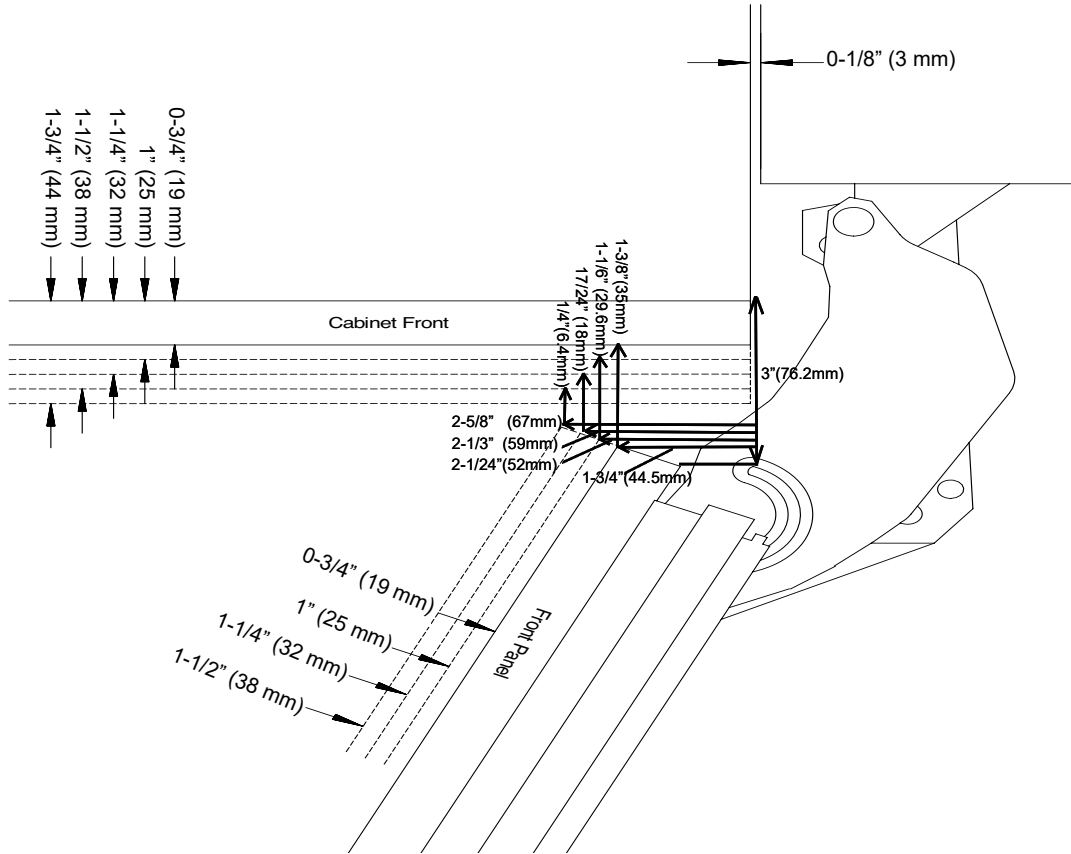


Fully Integrated 30" MasterCool

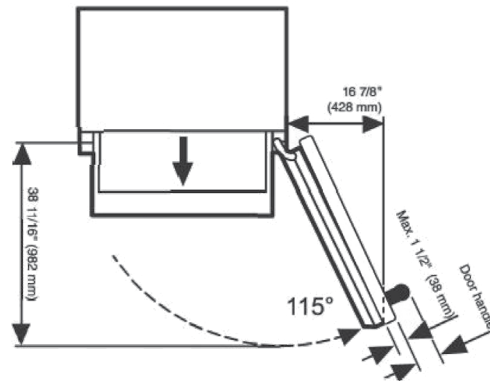
HINGING DETAILS 115° OPENING

Available for the following models:

- K 28x2 Vi
- F 28x2 Vi
- KF 28x2 Vi



Top View)
(K29x2Vi, F29x2Vi, KF29x2Vi)

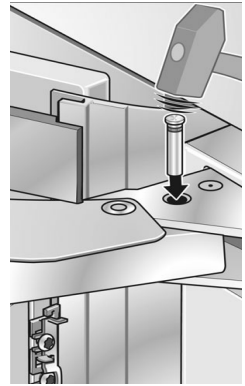
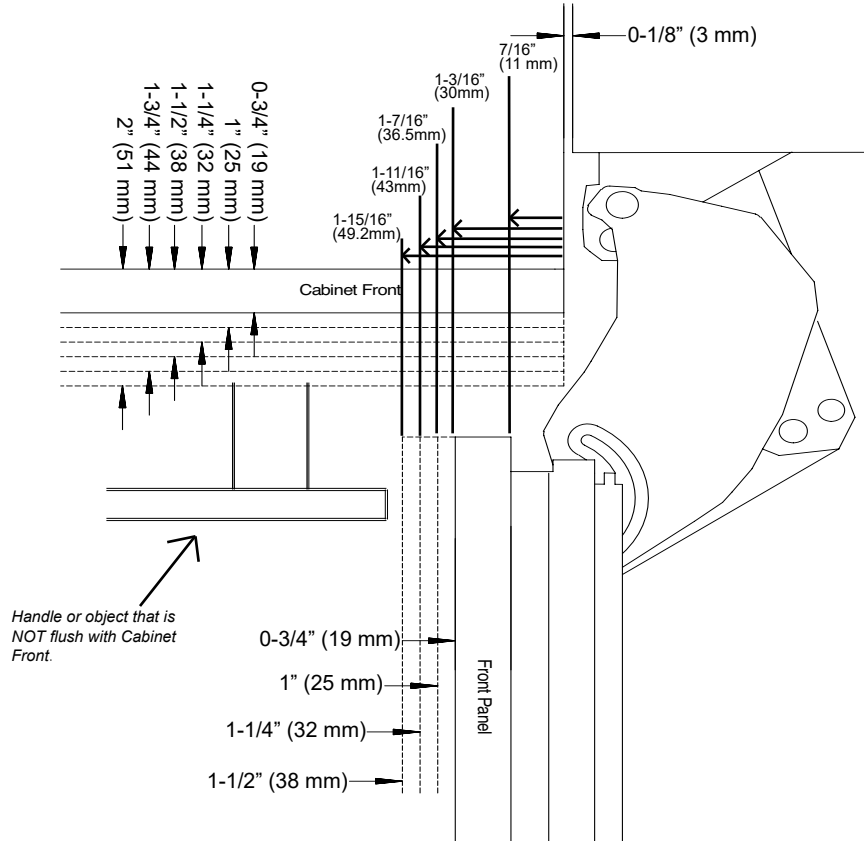


Fully Integrated 30" MasterCool

HINGING DETAILS 90° OPENING

Available for the following models:

- K 28x2 Vi
- KF 28x2 Vi



Top View)
(K29x2Vi, F29x2Vi, KF29x2Vi)

