

Fully Integrated 24" MasterCool

K 2602 Vi / K 2612 Vi

F 2662 Vi / F 2672 Vi

KWT 2602 Vi / KWT 2612 Vi

KWT 2662 ViS / KWT 2672 ViS



Shown: KWT 2662 ViS

Fully Integrated 24" MasterCool

SPECIFICATIONS			
Overall Unit Dimensions	23 ³ / ₄ " (604 mm) W x 83 ³ / ₄ " - 85 ³ / ₁₆ " (2127 - 2164 mm) H x 24" (610 mm) D [Depth does not include door panel]		
Niche			
Minimum Cabinet Niche Opening	24" (610 mm) W* x 84" - 85 ³ / ₁₆ " (2134 - 2164 mm) H x 24 ³ / ₄ " (629 mm) D		
Electrical	K 26x2 Vi	KWT 26x2 Vi	F 26x2 Vi
Electrical Requirements	110V / 120V, 60Hz, 15 Amps In the case of side-by-side installations, a separate outlet must be used for each appliance.		
Power Cord	NEMA 5-15 plug, 5 ft (1.52 m)		
Plumbing	K 26x2 Vi	KWT 26x2 Vi	F 26x2 Vi
Water Supply Requirements	- Connect to a cold water supply only. Do not connect to a low-mineral or a reverse osmosis system. Must be connected to a shut-off valve. The water shut-off valve must be accessible after installation. The water pressure must be between 29 psi (2 bar) and 116 psi (8 bar). If the pressure is higher than 120 psi (8.3 bar), a pressure reducing valve must be installed.		
Water Connection Line	- Standard 1/4" O.D flexible water line. The maximum outer diameter of the water pipe (without fittings): 3/8" (10 mm). Water line is not included.		
Shipping	K 26x2 Vi	KWT 26x2 Vi	F 26x2 Vi
Shipping Weight	346 lbs (157 kg)	357 lbs (162 kg)	375 lbs (170 kg)
Shipping Dimensions	26 ⁷ / ₈ " (682 mm) W x 84 ¹ / ₄ " (1,240 mm) H x 29 ⁷ / ₈ " (759 mm) D		

Please note the following:

- This specification sheet is for a single built-in unit.
- When combining multiple MasterCool units side-by-side, please refer to the Merging Kit specification sheet.

*If design calls for a partition less than 6⁵/₁₆" (160 mm) the left unit's cutout will require an additional 1/8" (3 mm) to the width to allow installation of the Heating Mat/Merge Kit.



K 2602 Vi (Right Hinged)
Material# 11501360

K 2612 Vi (Left Hinged)
Material# 11502560



F 2662 Vi (Right Hinged)
Material# 11503540

F 2672 Vi (Left Hinged)
Material# 11503550



KWT 2602 Vi (Right Hinged)
Material# 11503590

KWT 2612 Vi (Left Hinged)
Material# 11503610



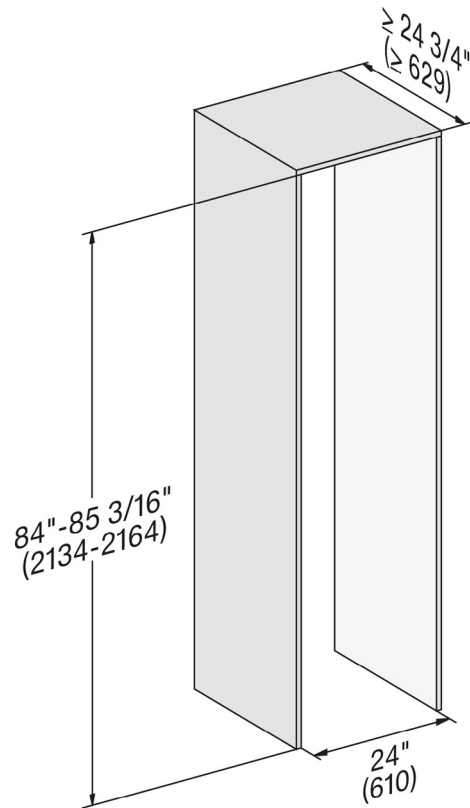
KWT 2662 ViS (Right Hinged)
Material# 11503650

KWT 2672 ViS (Left Hinged)
Material# 11503660

Fully Integrated 24" MasterCool

CUTOUT DIMENSIONS

- Niche depth assumes a 3/4" (19 mm) panel, please adjust according to custom panel thickness

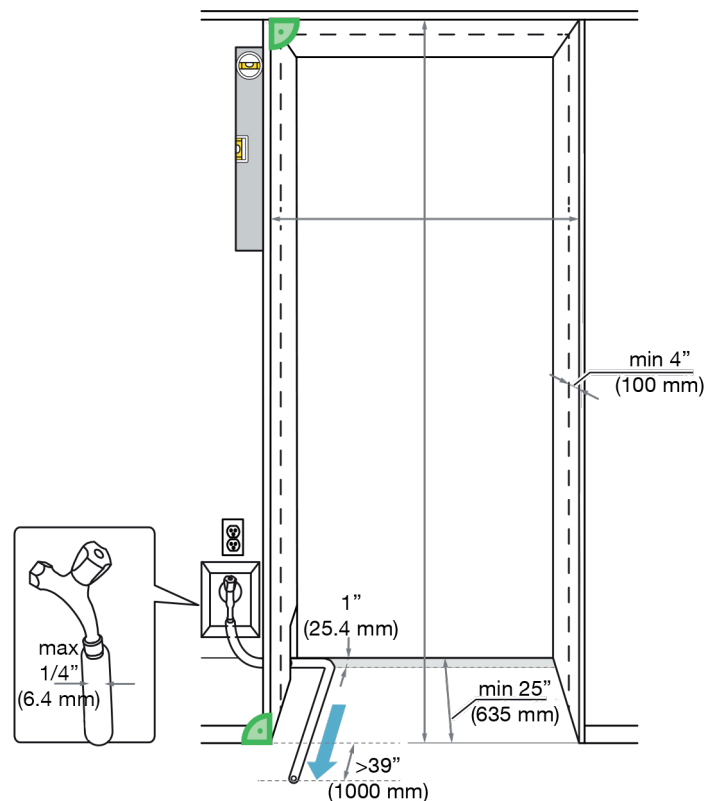


CUTOUT DETAILS

- The electrical connection must not be positioned higher than 9" (228.6 mm) above the floor.
- The 1/4" (6.4 mm) plumbed water connection should not be positioned higher than 2" (50.8 mm) above the floor.

Notes:

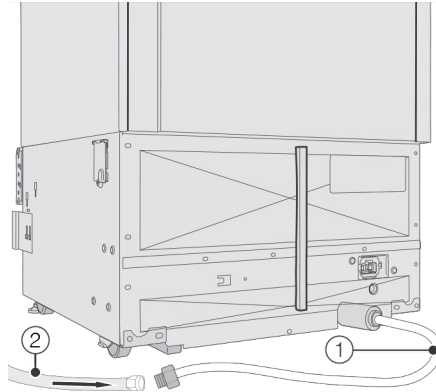
In case of an emergency the electrical outlet must be easily accessible and must not be concealed behind the appliance.



Fully Integrated 24" MasterCool

POWER SUPPLY AND WATER CONNECTION (Water Connection For F 26x2 Vi Only)

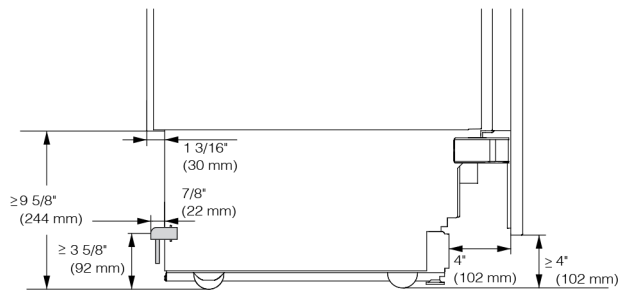
Rear View



Water Connection:

- 1/4" water line is required
- Located at the rear of the appliance on a 4' 11" line.
- 1/4" compression fitting, ready to accept 1/4" line.

Side View



Notes:

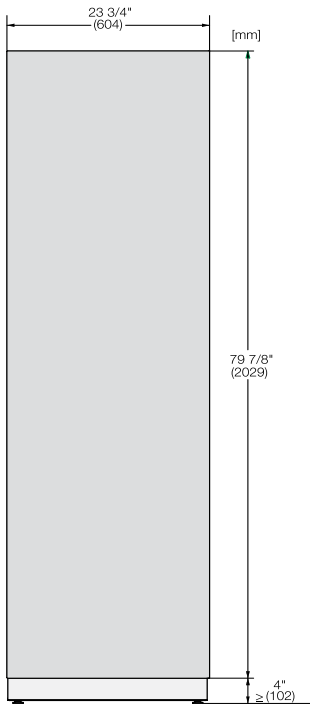
- In case of an emergency the electrical outlet and water shutoff must be easily accessible and must not be concealed behind the appliance.
- In the event that connection points are located behind the unit the electrical outlet and water connection should be located no higher than 9 5/8" from the floor.

Fully Integrated 24" MasterCool

CUSTOM PANEL INSTALLATIONS

For Models:

- K 2602 Vi
- K 2612 Vi

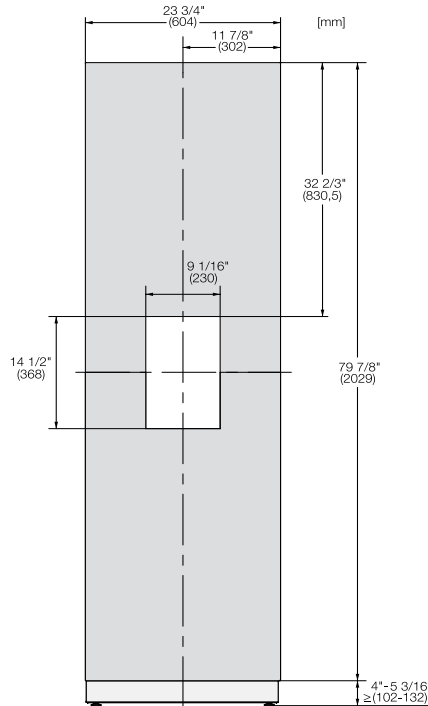


Max. Panel Weight: 106 lbs

Optional Accessory:
Clean Touch Steel Panel:
• KFP 2405
Material# 11499070

For Models:

- F 2662 Vi
- F 2672 Vi

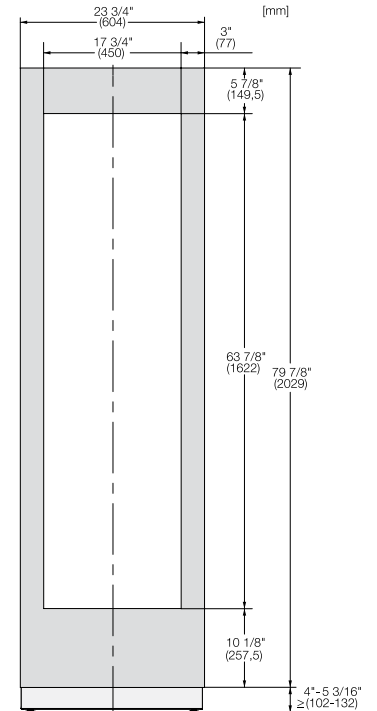


Max. Panel Weight: 143 lbs

Optional Accessory:
Clean Touch Steel Panel:
• KFP 2445
Material# 11499620

For Models:

- KWT 2602 Vi
- KWT 2612 Vi
- KWT 2662 ViS
- KWT 2672 ViS

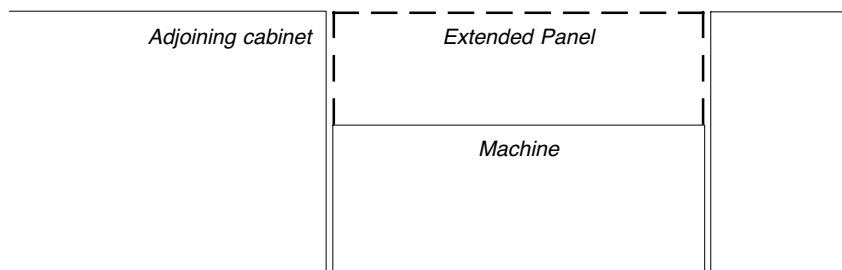


Max. Panel Weight: 137 lbs

Optional Accessory:
Clean Touch Steel Panel:
• KFP 2455
Material# 11499630

PANELS NOTES

If the adjoining cabinets are taller than the height of the machine the panel may be extended accordingly

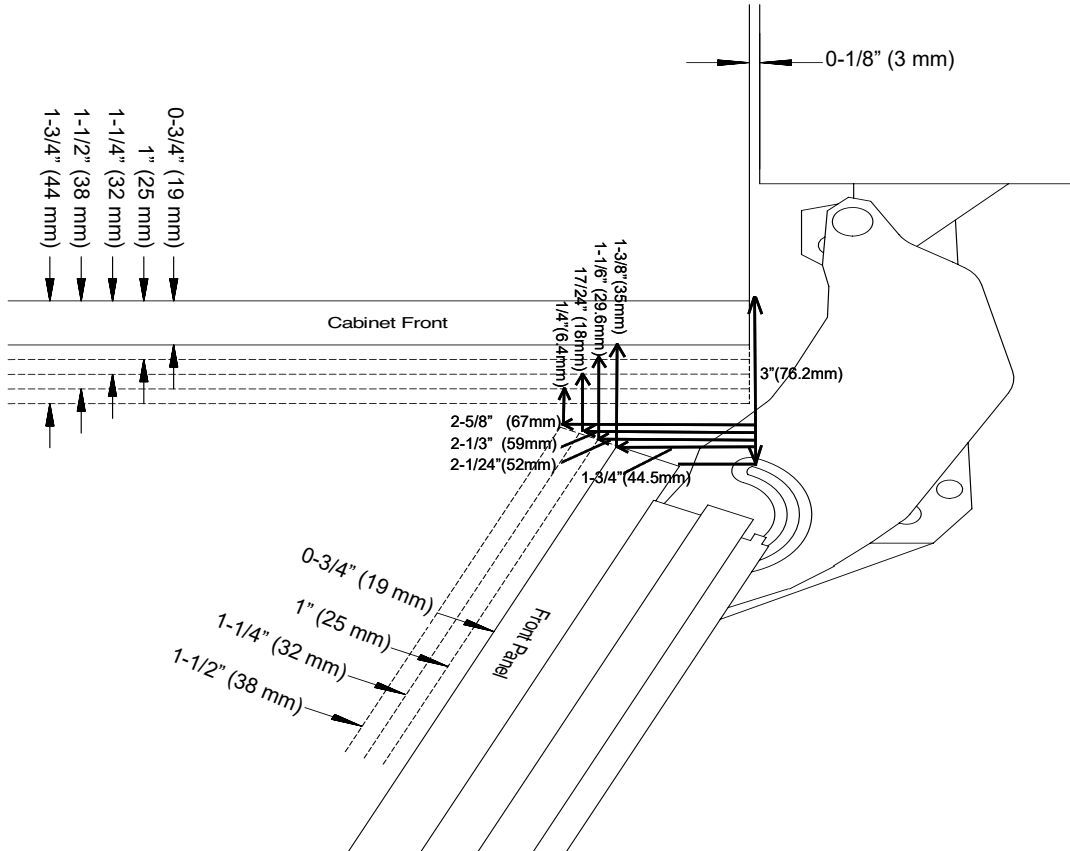


Fully Integrated 24" MasterCool

HINGING DETAILS 115° OPENING

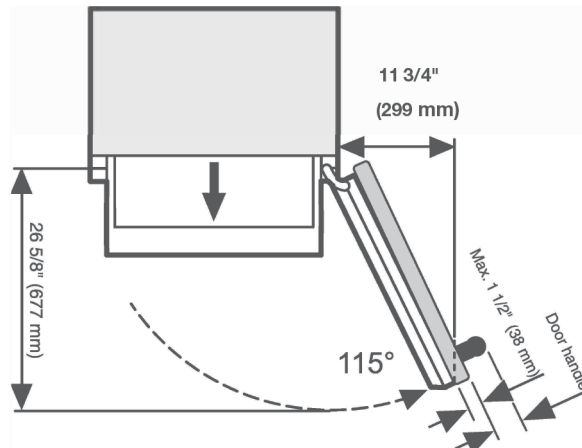
Available for the following models:

- K 26x2 Vi
- F 26x2 Vi
- KWT 26x2 Vi(S)



Top View

(K 26x2 Vi, F 26x2 Vi, KWT 26x2 Vi(S))

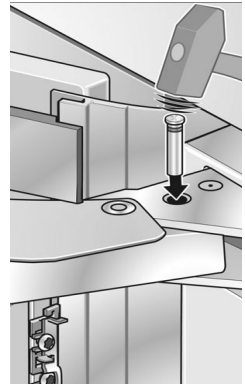
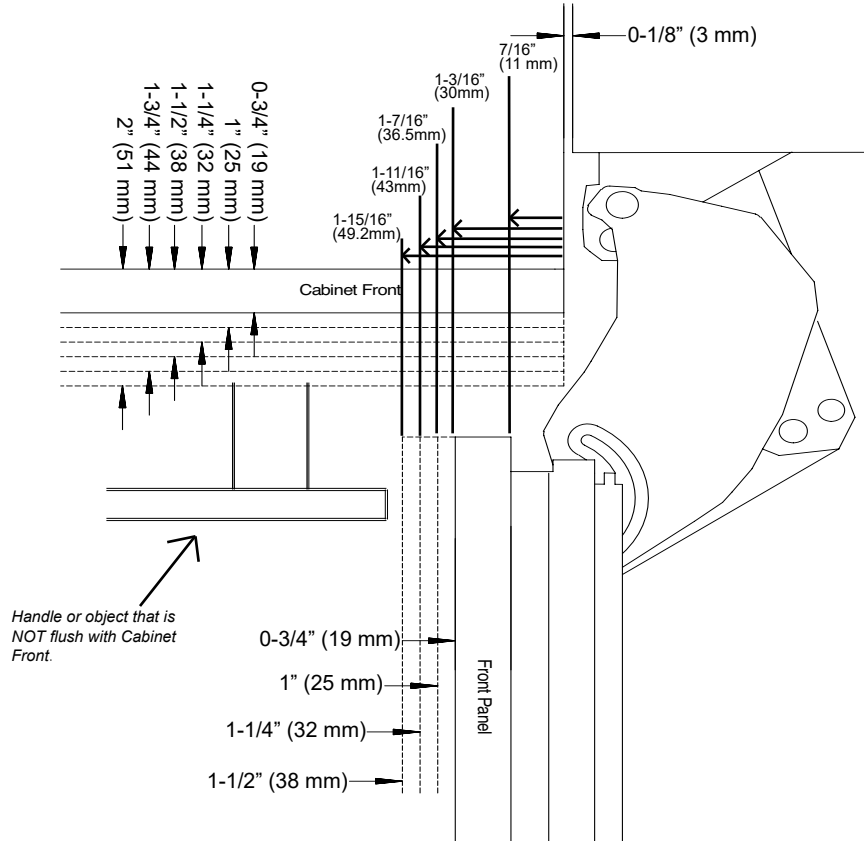


Fully Integrated 24" MasterCool

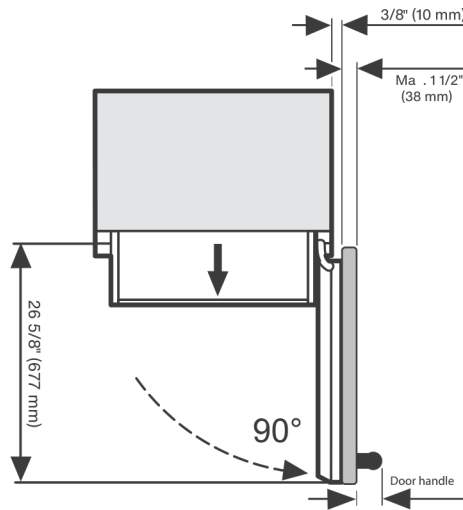
HINGING DETAILS 90° OPENING

Available for the following models:

- K 26x2 Vi
- KWT 26x2 Vi(Si)



Top View (K 26x2 Vi, KWT 26x2 Vi(S))



When installing hinge side next to an appliance or object that is within range of the door panel, limit the door opening angle to 90°. This is done by installing the banking pin as illustrated. Insert the banking pin through the holes and drive in with a hammer.

Freezer units cannot be stop pinned at 90°