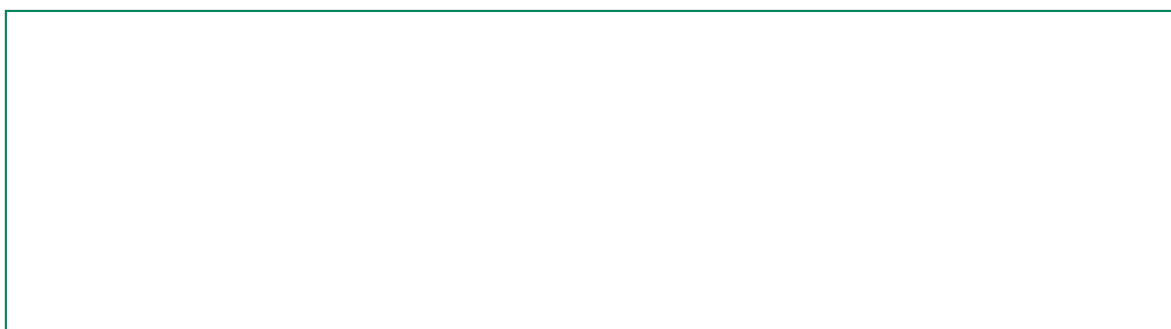
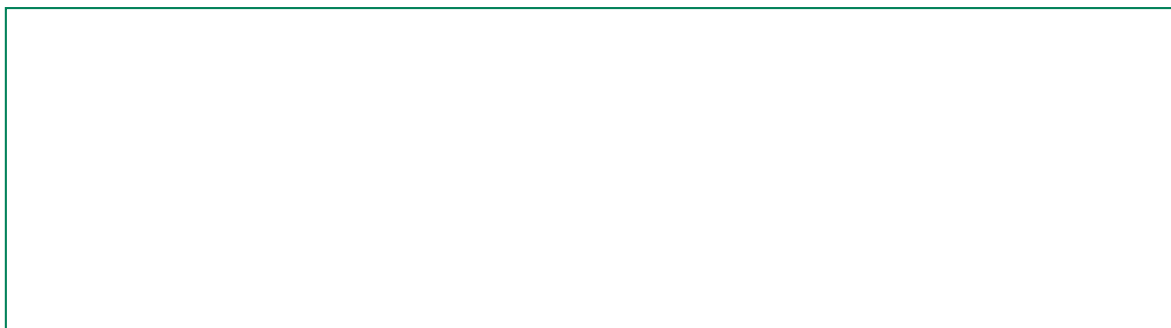




**FOR INSTALLER ONLY**  
**THIS RANGE IS FOR RESIDENTIAL USE ONLY**  
**INSTALLATION AND SERVICE MUST BE PERFORMED BY A**  
**QUALIFIED INSTALLER.**



**WARNING:**

**This appliance has to be installed by a qualified installer. Improper installation, adjustment, alteration, services, or maintenance can cause injury or property damage. Consult a qualified installer, service agent, or the gas supplier.**

**WARNING:**

- This range can tip. Injury to person could result.
- Install anti-tip device shipped with range.
- See installation Instructions.

**IMPORTANT: SAVE FOR LOCAL ELECTRICAL INSPECTOR'S USE.  
READ AND SAVE THESE INSTRUCTIONS FOR FUTURE REFERENCE.  
OBSERVE ALL GOVERNING CODES AND ORDINANCES.**

**WARNING: If the information in this manual is not followed exactly, a fire or explosion may result causing property damage, personal injury or death.**

**Do not store or use gasoline or other flammable vapors and liquids in the vicinity of this or any other appliance.**

**WHAT TO DO IF YOU SMELL GAS**

- Do not light any appliance.
- Do not touch any electrical switch.
- Do not use any phone in your building.
- Immediately call your gas supplier from a neighbour's phone. Follow the gas supplier's instructions.
- If you cannot reach your gas suppliers , call the fire department.

**Installation and service must be performed by a qualified installer service agency or the gas supplier.**

**WARNING:**

**A child or adult can tip the range and be killed.**

**Installing the anti-tip device to the structure and/or the appliance.  
Engage the range to the anti-tip device by using the four supplied screws.**

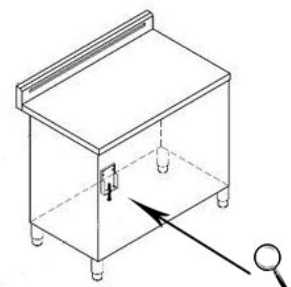
**Re-engaged the anti-tip device if the range is moved.**

**See installation instructions for details.**

**Failure to do so can result in death or serious burns to children or adults.**

## CHECKING THE ANTI TIP DEVICE

To check the installation of the anti-tipping safety system, we recommend that you view the installation of the bracket under the kitchen (in the visible part between the feet, see illustration).



## **IMPORTANT - PLEASE READ AND FOLLOW**

- Before beginning, please read these instructions completely and carefully.
- Do not remove permanently affixed labels, warnings, or plates from the product. This may void the warranty
- Please observe all local and national codes and ordinances.
- Please ensure that this product is properly grounded.
- The installer should leave these instructions with the consumer who should retain for local inspector's use and for future reference.

**For an installation at altitudes above 2000 ft (610 mt) contact the Service Centre.**

## **IMPORTANT INSTRUCTION**

- ***To check the installation of the anti-tipping safety system, we recommend that you view the installation of the bracket under the kitchen (in the visible part between the feet, see illustration).***
- ***Installation must conform with local codes or in the absence of codes, the National Fuel Gas Code ANSIZ223.1/NFPA 54- latest edition. Electrical installation must be in accordance with the National Electrical Code, ANSI/NFPA70 - latest edition and/or local codes.***

### **IN CANADA:**

**The installation must conform with local codes or, in the absence of local codes, with the Natural Gas Propane Installation Code, CSA B149.1.**

## **GENERAL INFORMATION**

---

1. Installation must conform with local codes or, in the absence of local codes, with the National Fuel Gas Code, ANSI Z223.1-Latest Edition.
2. Installation in manufactured (mobile) home: installation must conform with the Manufactured Home Construction and Safety Standard, Title 24 CFR, Part 3280 [formerly the Federal Standard for Mobile Home Construction and Safety, Title 24, HUD (Part 280)] or, when such standard is not applicable, the Standard for Manufactured Home Installations, ANSI/NCSBCS A225.1, or with local codes where applicable.
3. Installation in Recreational Park Trailers: installation must conform with state or other codes or, in the absence of such codes, to the Standard for Recreational Park Trailers, ANSI A119.5.  
The pressure stated shall be at least 1 in wc (249 Pa) above the manufacturer's specified manifold pressure.

## TOOLS NEEDED FOR INSTALLATION (not supplied with the appliance)

			
Suitable protective gloves	Protective glasses	Pencil	Tape measure
			
2 - Wrench	Hammer	Adjustable wrench	Adjustable pliers
			
T - handle wrench	Screwdriver	Drill	

## IMPORTANT NOTES TO THE INSTALLER

1. Read all instructions contained in these installation instructions before installing range.
2. Remove all packing material from the oven and the drawer compartments before connecting the gas and electrical supply to the range.
3. Observe all governing codes and ordinances.
4. Be sure to leave these instructions with the consumer.
5. Installation of this appliance requires basic mechanical skills.
6. Proper installation is the responsibility of the installer.
7. Product failure due to improper installation is not covered under the Warranty.

To promote safety and minimize problems, read this manual thoroughly before starting the installation. Leave this manual with the user.

Write the appliance's model/serial numbers in this manual for service/maintenance reference.

The user have to keep this manual for personal reference and for that of inspectors, service personnel, etc.

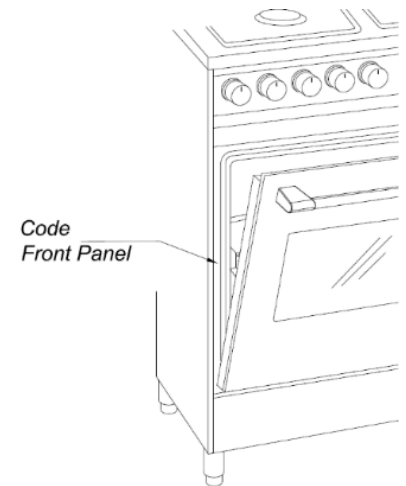
The appliance should not be installed with a ventilation system that blows air downward toward the appliance. This type of ventilation system may cause ignition and combustion problems with the gas cooking appliance resulting in personal injury or unintended operation.

An air curtain or other overhead range hood, which operates by blowing a downward airflow onto a range, shall not be used in conjunction with a range.



### **CAUTION:**

Cold temperature can damage the electronic control. When using the appliance for the first time, or when the appliance has not been used for an extended period, be certain the unit has been in temperatures above 32°F (0°C) for at least 3 hours before turning on the power to the appliance.



### **CUSTOMER SERVICE INFORMATION**

The serial number can be found on the inner side of door trim.

---

## **IMPORTANT SAFETY INSTRUCTIONS**

- Make sure the wall coverings around the range can withstand the heat generated by the range.

Before installing the range in an area covered with linoleum or any other synthetic floor covering, make sure the floor covering can withstand heat at least 90°F above room temperature without shrinking warping or discolouring. Do not install the range over carpeting unless you place an insulating pad or sheet of ¼ (0,6 cm) thick plywood between the range and carpeting.

- Do not obstruct the flow of combustion air at the oven vent nor around the base or beneath the lower front panel of the range. Avoid touching the vent openings or nearby surfaces as they may become hot while the oven is in operation. This range requires fresh air for proper burner combustion.
- If the range is pulled out away from the wall for any reason, make sure the anti-tip device is reengaged after the range has been pushed back into place.
- Learn where and how to shut off the valve that feeds gas to the product.
- Do not let children sit/stand on the product or play with any of its parts. Do not leave children unattended in the kitchen when the product is in use.
- Do not keep objects of interest to children on or around the product.

- Remove all packaging before operating the product to keep this material from catching fire. Keep all packaging away from children. Properly dispose of packaging as soon as the product is unpacked.
- Do not operate the product if it is damaged in any way, if it malfunctions, or is missing parts.
- Do not use the product as a space heater. This product is to be used for cooking purposes only.
- Do not use oven cleaners or oven liners in or around any part of the oven.
- Do not use the product to heat unopened food containers.
- Do not strike the oven glass.
- When disposing of the range, cut off the power cord and remove the door.
- Unplug the product before service/maintenance.

**WARNING:**

**NEVER use this appliance as a space heater to heat or warm the room. Doing so may result in carbon monoxide poisoning and overheating of the oven.**

## **FIRE SAFETY**

- Do not store/place/use combustible materials (e.g., paper, plastic, pot holders, linens, gasoline, alcohol) near the product.
- Do not douse a grease fire with water. Instead, turn off the heat source, and smother the fire with a tight-fitting lid, or use a multi-purpose, dry-chemical or foam extinguisher.
- If a grease fire should occur in the oven, turn off the oven by putting the handle in the OFF position.
- Do not wear loose fitting or hanging garments while using the product.
- Use only dry potholders: moist or damp potholders on hot surfaces may result in burns from steam. Do not let potholder touch hot heating elements. Do not use a towel or other bulky cloth.

- Do not let potholders or other flammable material touch a heating element. Do not use a towel or other bulky cloth item as a pot holder.
- Use proper pan size: this appliance is equipped with one or more surface units of different size. Select utensils having flat bottoms large enough to cover the surface unit-heating element. The use of undersized utensils will expose a portion of the heating element to direct contact and may result in ignition of clothing. Proper relationship of utensil to burner will also improve efficiency.
- Glazed cooking utensils: only certain types of glass, glass/ceramic, ceramic, earthenware, or other glazed utensils are suitable for range-top service without breaking due to the sudden change in temperature.
- Never leave surface units unattended at high heat settings: broilover causes smoking and greasy spillovers that may ignite.
- Do not soak removable heating elements: heating elements should never be immersed in water.
- Keep oven vent ducts unobstructed, to avoid grease build up, regularly clean the vents.
- Use care when opening door: let hot air or steam escape before removing or replacing food.
- Keep the oven door closed until the fire goes out. If necessary, use a multipurpose dry chemical or foam-type fire extinguisher.
- Do not heat unopened food containers: build – up of pressure may cause container to burst and result in injury.

## **GAS SAFETY**

If you smell gas:

- Close the valve and do not use the product.
- Do not light a match, candle, or cigarette.
- Do not turn on any gas or electric appliances.
- Do not touch any electrical switch or plug in a power cord.
- Do not use any phone in your building.
- Evacuate everyone from the building.
- Immediately call your gas supplier from a neighbor's phone. Follow the gas supplier's instructions.

- If you cannot reach your gas supplier, call the fire department.
- Checking for gas leaks
- Leak-testing the appliance must be done according to the manufacturer's instructions. Do not use a flame to check for gas leaks. Use a brush to spread a soap-and-water solution around the area you are checking. If there is a gas leak, small bubbles will appear in the solution. When not sure, call for professional help.
- The appliance must be isolated from the gas supply piping system by closing its individual manual shut-off valve during any pressure testing of the gas supply piping system at test pressures equal to or less than ½ psi (3.5 KPa).
- Do not attempt to operate the oven during a power failure.

## **ELECTRICAL AND GROUNDING SAFETY**

- Do not use an adapter or an extension cord.
- Do not use a damaged power plug, power cord, or loose power outlet.
- Do not modify the power plug, cord, or outlet.
- Do not put a fuse in a neutral or ground circuit.
- Do not connect the ground wire to plastic plumbing lines, gas lines, or hot water pipes.
- This product must be grounded. If the range malfunctions or breaks down, grounding reduces the risk of electric shock by providing a safe path for the current. This range's power cord has a grounding plug, which must be firmly plugged into an outlet that is properly installed and grounded according to local regulations. If you are not sure your electrical outlet is properly grounded, have it checked by a licensed electrician.
- The range is supplied with a 4-pronged grounded plug. This cord must be plugged into a mating, grounded 4-prong outlet that meets all local codes and ordinances.
- The product owner shall ensure that the proper electrical service is provided for the product.



## INSTALLATION SAFETY

- This product should be installed and properly grounded by a qualified installer, as specified in the Installation Instructions. Adjustments and service should be performed only by qualified gas range installer or service technician.
- Do not try to service/modify/replace the product or any part of it unless specifically recommended in this manual. All other service should be performed by a qualified technician.
- Use only new, flexible connectors when installing the product.
- Due to the size and weight of the range, have two or more people move the range.
- Remove all tape and packaging materials.
- Make sure no parts came loose during shipping.
- After unpacking the product, remove all accessories from inside and around it. (Cautiously handle the heavy grates).
- Make sure the product is correctly installed/adjusted by a qualified service technician or installer for the type of gas (natural or Propane) you will use. For the range to use Propane gas, the installer must replace every surface burner orifices with the provided Propane orifice set, and reverse the GPR adapter. These adjustments must be made by a qualified technician according to manufacturer instructions and local regulations. The qualified agency performing this work shall be responsible for the gas conversion.

## LOCATION SAFETY

- This range is for indoor household use only. **Do not install** the range outdoors or anywhere that it will be exposed to weather/water or wind/ strong drafts.
- Select a level, well-constructed floor that can support the range' s weight. Synthetic flooring, such as linoleum, must withstand 180 °F (82 °C) temperatures without shrinking, warping, or discolouring. **Do not install** the range directly over interior kitchen carpeting unless a sheet of . inch plywood or a similar insulator is placed between the range and carpeting.
- Do not hang paper blinds on a window near the range; do not hand long curtains that could be blown over/onto the range.
- For proper ventilation, the range needs sufficient space below and all around the chassis. Vents in the chassis exhaust heat and fumes so the range can operate properly.

- Make sure the wall coverings around the range can withstand heat up to 194 °F (90 °C) generated by the range.
- Cabinet storage above the surface of the range should be avoided. If cabinet storage above the range is necessary: allow a minimum clearance of 30 inches (76.2 cm) between the cooking surface and the bottom of cabinets; or install a range hood that projects horizontally a minimum of 5 inches (12.7 cm) beyond the bottom of the cabinets.

## **COOKTOP SAFETY**

- Before igniting, make sure all burner caps are properly in place and all burners are level.
- Make sure all burners are OFF when not in use.
- Do not leave burners unattended on medium or high heat settings.
- When you set a burner to simmer, do not turn the knob quickly. Make sure the flame stays on.
- If ignition fails, turn the knob to OFF, and wait a few minutes for the gas to dissipate.
- Do not place any objects other than cookware on the cooktop.
- Before removing or changing cookware, turn off the burners.
- Remove food and cookware immediately after cooking.
- Make sure all cooktop burners are off and all surfaces have completely cooled before removing the grates and disassembling the burners.
- Before self-cleaning the oven: remove broiler pan and other utensils.
- After cleaning the burner head, make sure it is completely dry before re-assembling.
- To avoid carbon monoxide poisoning, do not pour water or other liquids into the cooktop during cleaning.
- Do not clean door gasket: the door gasket is essential for a good seal. Care should be taken not to rub, damage, or move the gasket.
- Do not use oven cleaners: no commercial oven cleaner or oven liner protective coating of any kind should be used in or around any part of the oven.
- Clean only parts listed in manual.

- Select cookware that is designed for cooktops and that is large enough to cover the grates. Burner flames should not extend beyond the bottom of the cookware.
- To avoid cookware discoloration, deformity, and/or carbon monoxide poisoning, do not use cookware that is exceedingly larger than the grate.
- Do not use aluminium foil to line the grates or any part of the cooktop.
- Always use a minimum amount of oil for any type of frying. Always thaw food before frying, and do not fry food that is overly cold or that has clumps of ice attached to it.
- When frying, always heat the oil slowly, and monitor the oil as it heats. When frying foods at high heat, monitor the oil throughout the cooking process. If combining fats or oils for frying, mix them together before heating. Stand at a safe distance while frying to avoid hot spatter.
- Use a deep-fry thermometer when possible to avoid heating the oil beyond its smoke point. (Know the smoke point of the oil you are using.)
- Always let the oil/fat in the cookware to cool to room temperature before moving the cookware.
- To avoid delayed-eruptive boiling, let hot oil/fat stand at least 20 seconds after turning off the burner so the temperature can stabilize. In the event of scalding, follow these first-aid instructions:
  1. Immerse the scalded area in cool or lukewarm water for at least 10 minutes.
  2. Do not apply any creams, oils, or lotions.
  3. Cover with a clean, dry cloth.

## **OVEN SAFETY**

- Do not use the oven for non-cooking purposes such as drying clothes or storage. Use the oven for cooking purposes only.
- Do not leave plastic items inside the oven.
- Do not use aluminium foil or foil liners anywhere in the oven. Do not use aluminium foil or like material to cover any holes or passages in the oven bottom or to cover an oven rack.
- When repositioning the oven racks, make sure the oven is completely cool.
- Make sure the oven racks are placed on the same level on each side.
- Do not damage, move, or clean the door gasket.
- Stand away from the oven when opening the oven door.

- To avoid damaging the burner control knobs or oven control, always bake and/or broil with the oven door closed.
- Do not broil meat too close to the broil element. Trim excess fat from meat before cooking.
- When using cooking or roasting bags in the oven, follow the manufacturer's directions.
- Keep the oven free from grease build up.
- Do not spray water on the oven glass while the oven is on or just after you have turned it off.
- Do not use harsh abrasive cleaners or sharp metal scrapers to clean the oven door glass. They can scratch the surface which may result in the glass shattering.



**CAUTION:**

- Do not attempt to operate the oven during a power failure.
- If the power fails, always turn the oven off. If the oven is not turned off and the power returns, the oven may begin to operate again. Food left unattended could catch fire or spoil.

**WARNING:**

**Never leave children alone or unattended in the area where an appliance is in use. As children grow, teach them the proper, safe use of all appliances. Never leave the oven door open when the range is unattended.**



**CAUTION:**

- Stepping, leaning or sitting on the door or drawers of this range can result in serious injuries and can also cause damage to the range.
- Do not store items of interest to children in the cabinets above the range. Children could be seriously burned climbing on the range to reach items.
- To eliminate the need to reach over the surface burners, cabinet storage space above the burners should be avoided.
- Adjust surface burner flame size so it does not extend beyond the edge of the cooking utensil. Excessive flame is hazardous.
- Do not use the oven as a storage space. This creates a potentially hazardous situation.
- Never use your range for warming or heating the room. Prolonged use of the range without adequate ventilation can be dangerous.
- Do not store or use gasoline or other flammable vapors and liquids near this or any other appliance. Explosions or fires could result.

- In the event of an electrical power outage, the surface burners can be lit manually.to light a surface burner, hold a lit match to the burner head and slowly turn the Surface Control knob to LITE. Use caution when lighting surface burners manually.
- Reset all control to the "off" position after using a programmable timing operation.

**To avoid breakage:** Do NOT handle or manipulate the unit by the cooktop.

Electrical and gas equipment with moving parts can be dangerous. The important safety instructions in this manual are intended to minimize the risk of property damage, personal injury, and death. Be sure to read them.

Keep this manual in a handy place so you can refer to it as needed.

---

## CABINET CONSTRUCTION

Caution: To eliminate the risk of burns or fire by reaching over heated surface units, do not have cabinet storage space above the range.

---

## COUNTERTOP PREPARATION

The cooktop sides of the range fit over the cut-out edge of your countertop. Countertop must be level. Place a level on the countertop, first side to side, then front to back. If the countertop is not level, the range will not be level. The oven must be level for satisfactory baking results. Cooktop sides of range fit over edges of countertop opening.

---

## REPLACEMENT PARTS

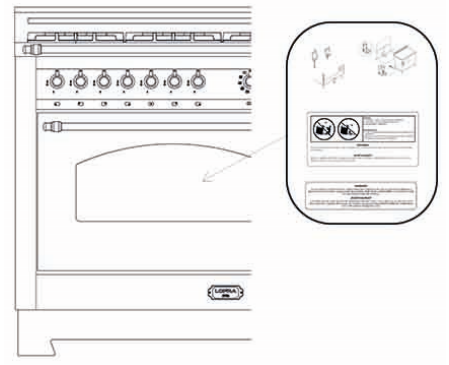
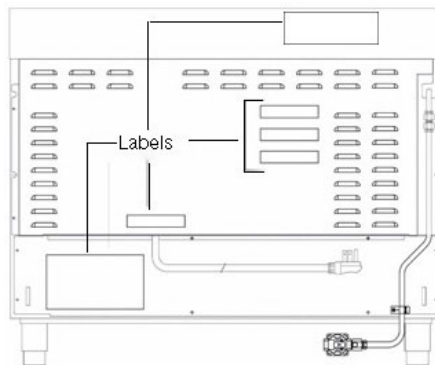
Only authorized replacement parts may be used in performing service on the range. Replacement parts are available from factory authorized parts distributors. Contact the nearest parts distributor in your area.

## PRODUCT SPECIFICATION

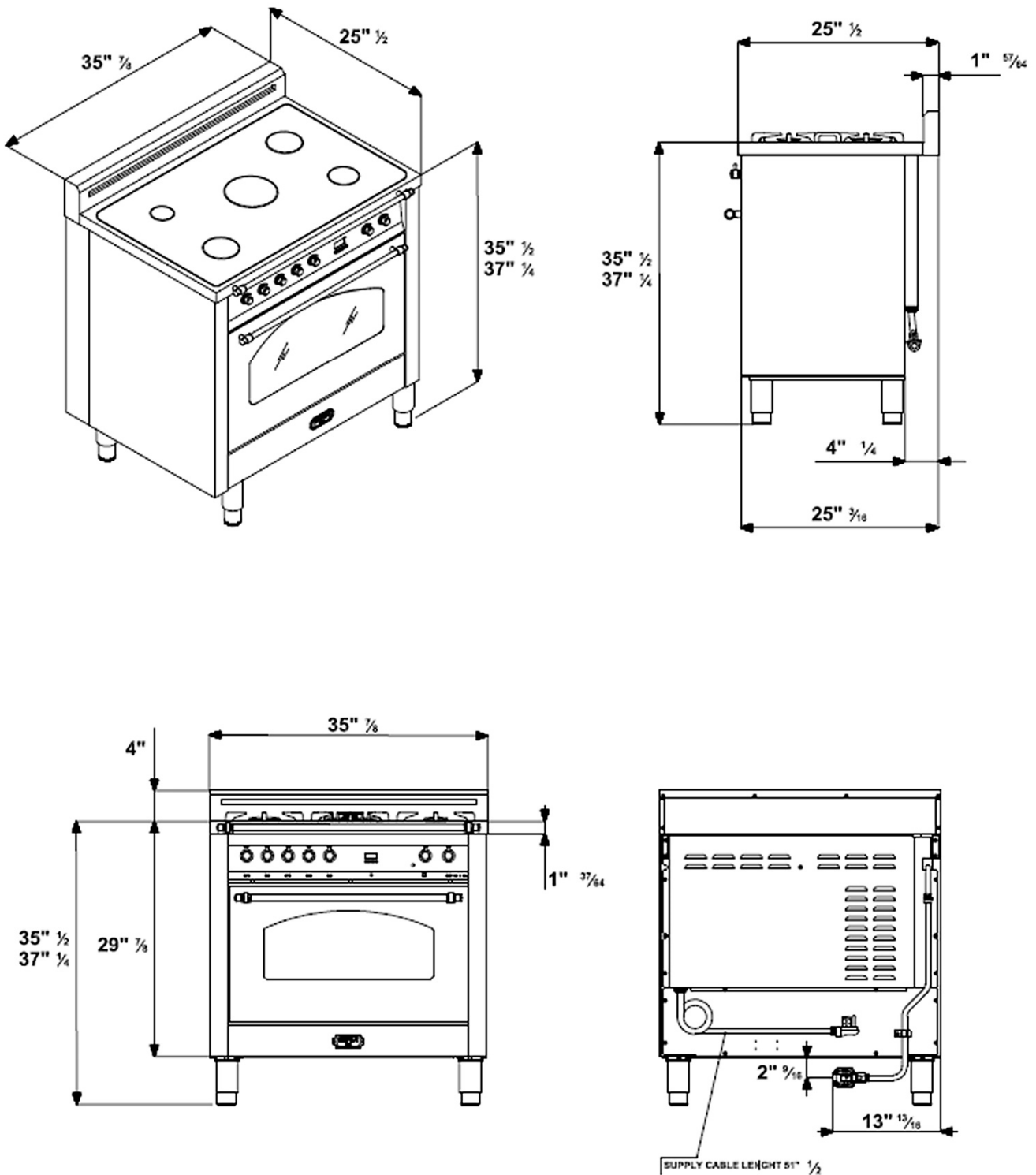
**NOTE: do not pinch the power supply cord or the flexible gas conduit between the range and the wall.**

**Do not seal the range to the side cabinets.**

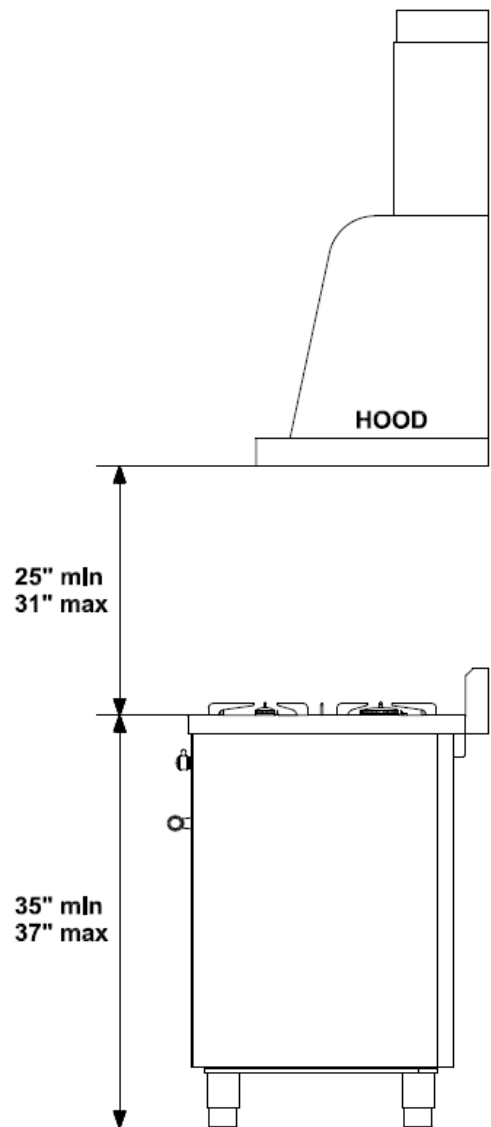
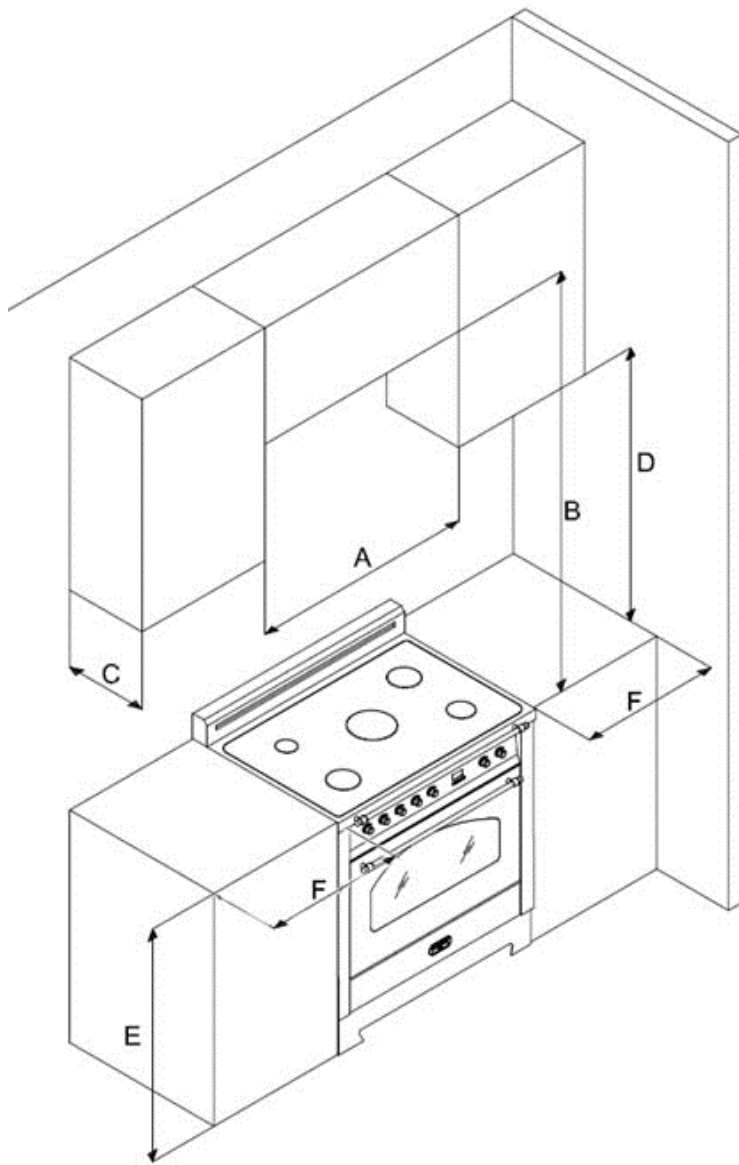
For all other information about the appliance, see the labels on the back of the appliance.



## 36" COOKER



- 30 in (76.2 cm) minimum clearance between the top of the cooking surface and the bottom of an unprotected wood or metal cabinet; or If no 30 in (76.2 cm) minimum clearance, 24 in (61 cm) minimum when the bottom of the wood or metal cabinet is protected by not less than 0.25 in (0.64 cm) flame-retardant millboard covered with not less than no. 28 MSG sheet steel, 0.015 in (0.038 cm) stainless steel, 0.024 in (0.061 cm) aluminium, or 0.020 in (0.051 cm) copper.
- 6 in (45.7 cm) minimum between the countertop and the adjacent cabinet bottom.

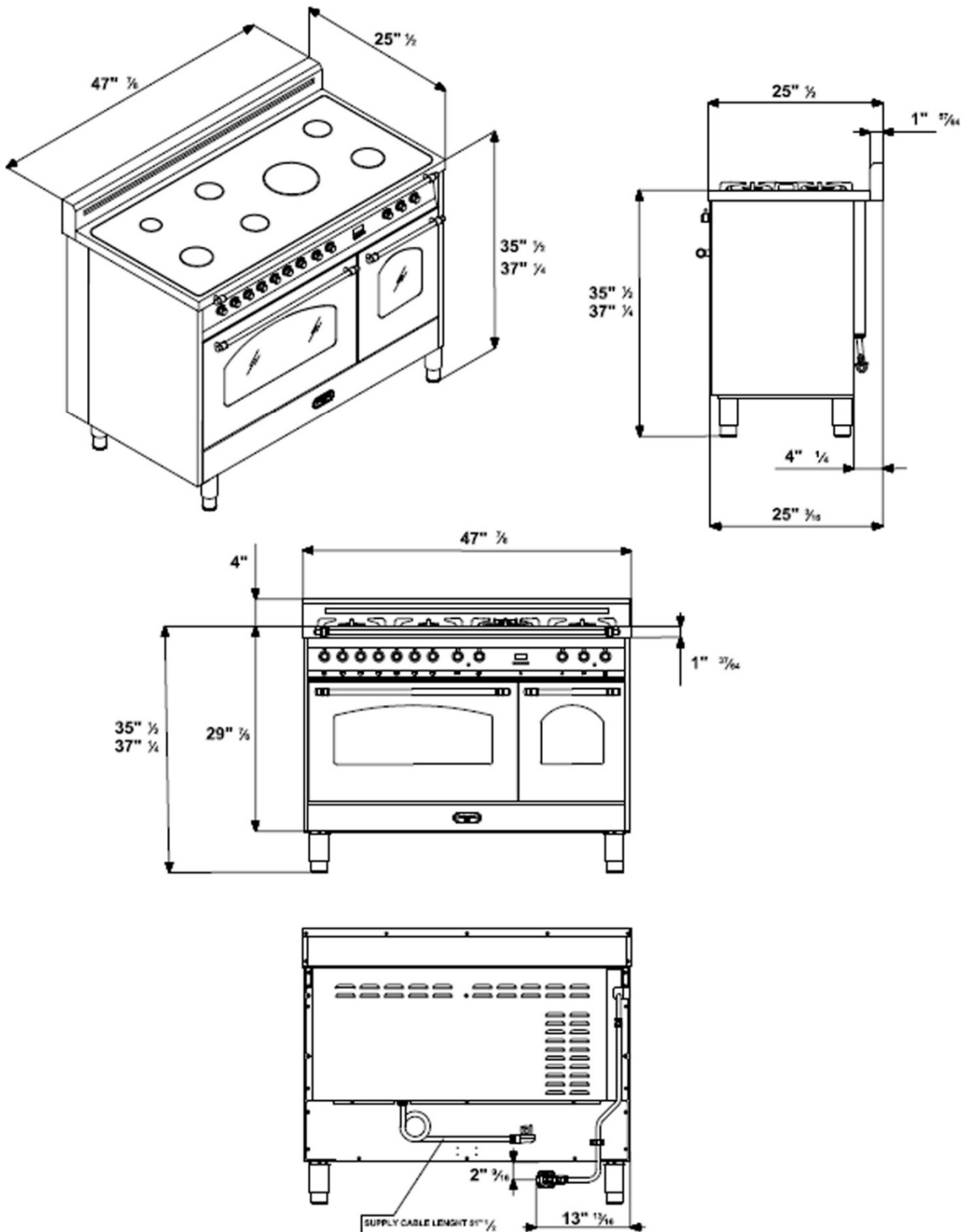


Zero clearance between adjacent combustible construction below the countertop surface and the back and sides of the appliance.

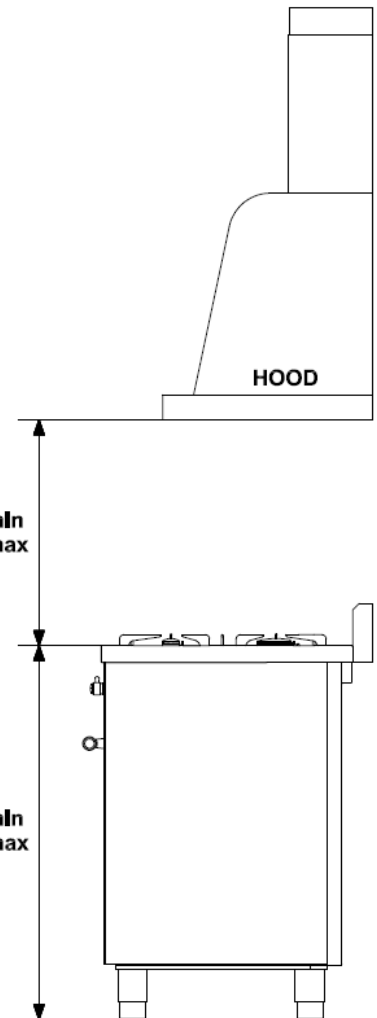
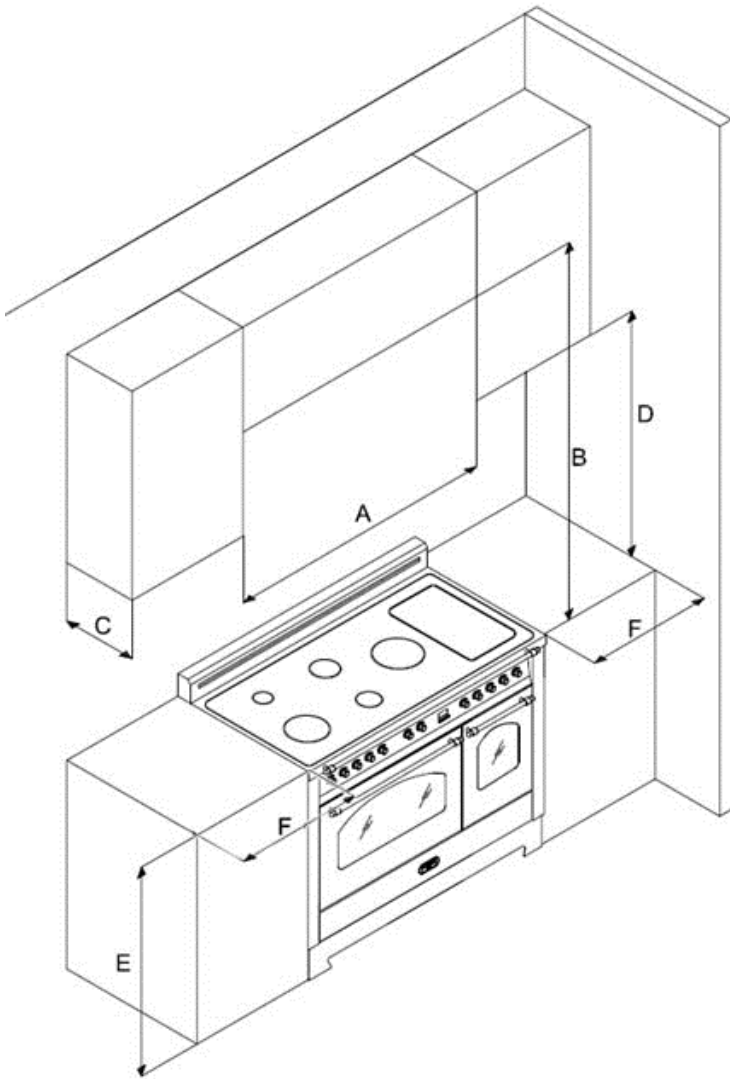
MEASURES FOR BUILT - IN		
<b>A</b>	36"	91,50 cm
<b>B</b>	Min. 25" - Max. 31"	Min. 63,50 cm - Max. 78,74 cm
<b>C</b>	Max. 13"	Max. 33,00 cm
<b>D</b>	Min. 18"	Min. 45,70 cm
<b>E</b>	35" ½ or 37" ¼	90,20 cm or 94,60 cm
<b>F</b>	Min. 6"	Min. 15,20 cm



# 48" COOKER



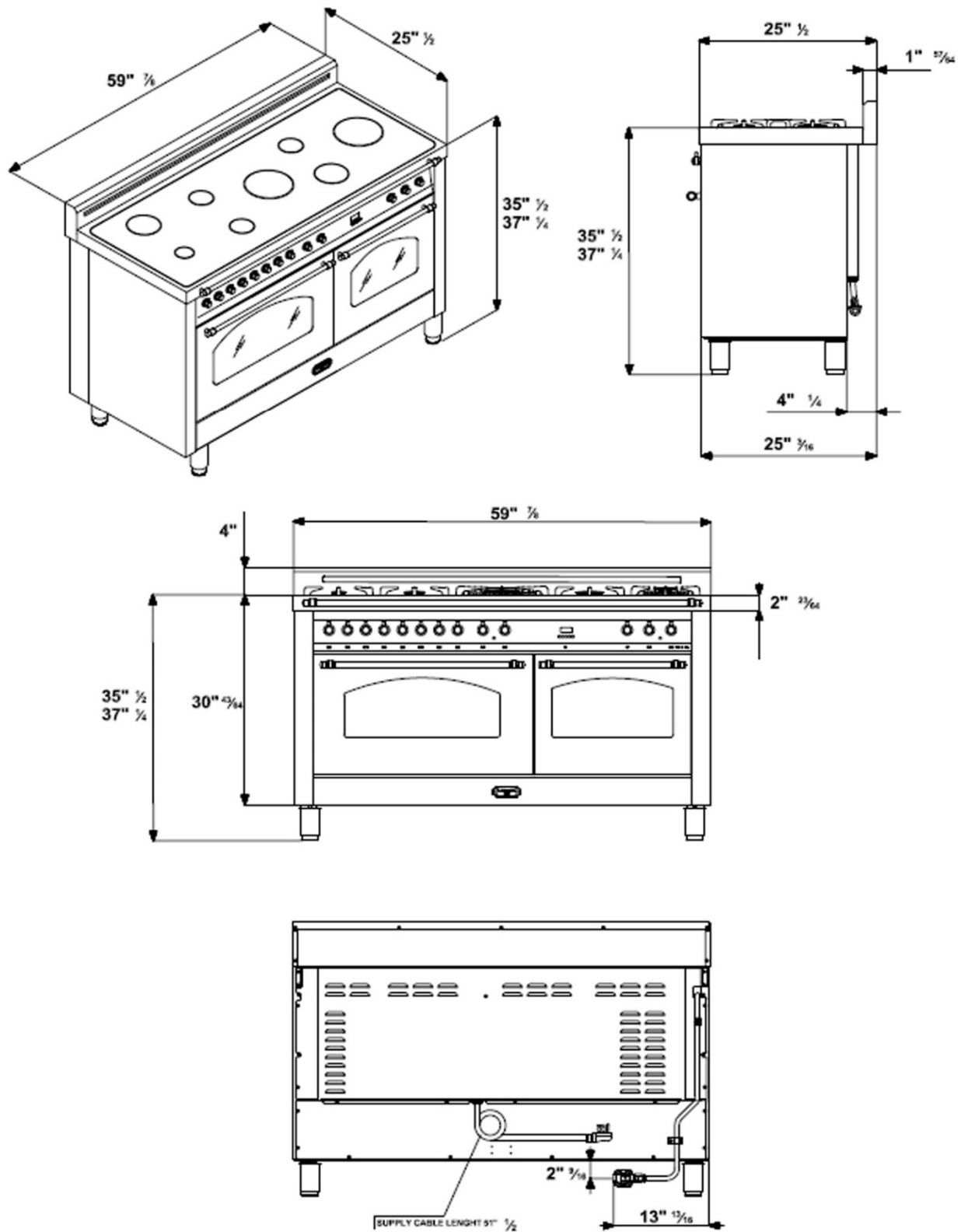
- 30 in (76.2 cm) minimum clearance between the top of the cooking surface and the bottom of an unprotected wood or metal cabinet; or If no 30 in (76.2 cm) minimum clearance, 24 in (61 cm) minimum when the bottom of the wood or metal cabinet is protected by not less than 0.25 in (0.64 cm) flame-retardant millboard covered with not less than no. 28 MSG sheet steel, 0.015 in (0.038 cm) stainless steel, 0.024 in (0.061 cm) aluminium, or 0.020 in (0.051 cm) copper.
- 6 in (45.7 cm) minimum between the countertop and the adjacent cabinet bottom.



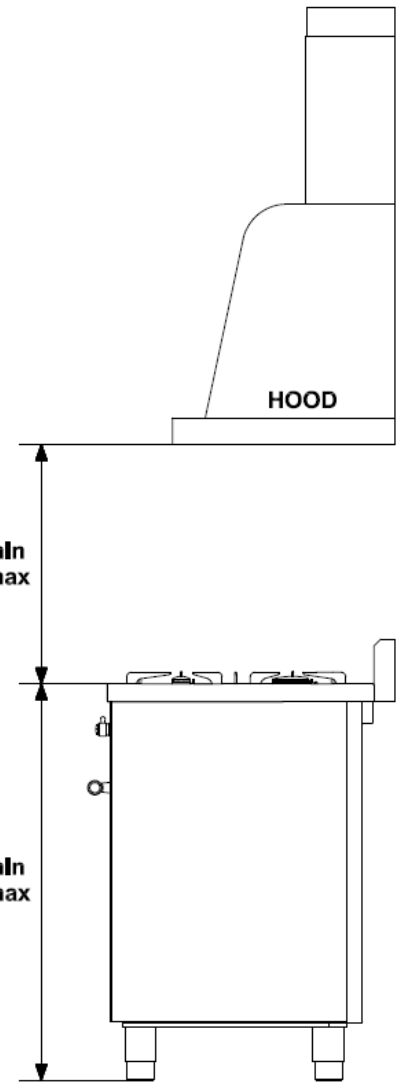
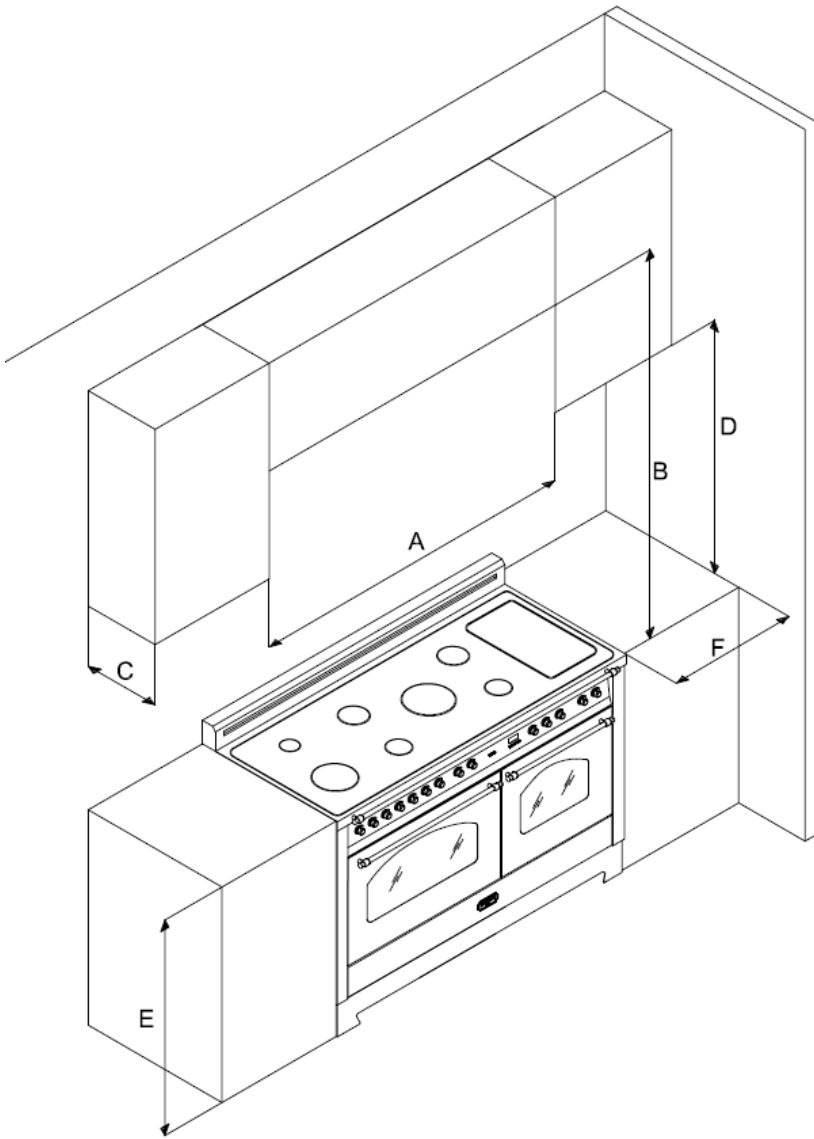
Zero clearance between adjacent combustible construction below the countertop surface and the back and sides of the appliance.

MEASURES FOR BUILT - IN		
<b>A</b>	48"	121,90 cm
<b>B</b>	Min. 25" - Max. 31"	Min. 63,50 cm - Max. 78,74 cm
<b>C</b>	Max. 13"	Max. 33,00 cm
<b>D</b>	Min. 18"	Min. 45,70 cm
<b>E</b>	35" ½ or 37" ¼	90,20 cm or 94,60 cm
<b>F</b>	Min. 6"	Min. 15,20 cm

# 60" COOKER



- 30 in (76.2 cm) minimum clearance between the top of the cooking surface and the bottom of an unprotected wood or metal cabinet; or If no 30 in (76.2 cm) minimum clearance, 24 in (61 cm) minimum when the bottom of the wood or metal cabinet is protected by not less than 0.25 in (0.64 cm) flame-retardant millboard covered with not less than no. 28 MSG sheet steel, 0.015 in (0.038 cm) stainless steel, 0.024 in (0.061 cm) aluminium, or 0.020 in (0.051 cm) copper.
- 6 in (45.7 cm) minimum between the countertop and the adjacent cabinet bottom.



Zero clearance between adjacent combustible construction below the countertop surface and the back and sides of the appliance.

MEASURES FOR BUILT - IN		
<b>A</b>	60"	152,40 cm
<b>B</b>	Min. 25" - Max. 31"	Min. 63,50 cm - Max. 78,74 cm
<b>C</b>	Max. 13"	Max. 33,00 cm
<b>D</b>	Min. 18"	Min. 45,70 cm
<b>E</b>	35" ½ or 37" ¼	90,20 cm or 94,60 cm
<b>F</b>	Min. 6"	Min. 15,20 cm

# REMOVE PACKAGING

## 1. REMOVE THE OUTER PACKAGE

Cut the metal banding and lift the carton straight up.

Locate the two runner strips from the top of the packaging. These strips will be used to protect the kitchen floor during installation.

Remove grill/griddle covers, grill grate and burner grates.

Lift out cast-iron griddle flue cover, grease troughs and pads.

Cut the ties holding the grill grate to the grill frame.

Lift off burner caps, remove foam pad, and then lift off burner heads, and remove foam pad.

Open oven door(s) and remove packaging.

Remove shelf holding broiler pan, tape, literature package, shelf lubricant and probe.



### **CAUTION:**

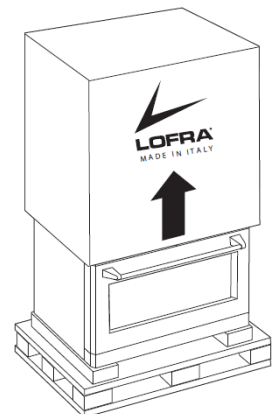
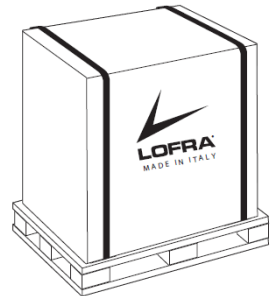
Doors and passageways leading to the installation location require at least 32" opening. If the opening is less than 32", the oven door(s) and control knobs must be removed.

## 2. REMOVE THE OVEN DOOR(S) ONLY IF NECESSARY

To move the range through the doorways. To prevent damage to the slides of the range, it will be necessary to pad the corners beneath the straps on the hand-truck.

To remove the oven door(s):

- Fully open the door
- Each hinge has a hinge latch. Close the hinge latch down against the doorframe.
- Firmly gasp the door at the top sides.
- Close the door to the near vertical position
- Lift the door up and pull straight out.
- Remove the control knobs by pulling them straight out.



## 3. MOVE THE RANGE INDOORS

1. Tilt the range forward on the skid
2. Lift the toe kick out of the foam base
3. Drive the blade of the hand-truck beneath the foam block
4. Attach the hand-truck straps around the unit.









**IMPORTANT:** place the hand-truck straps below the oven door handles. To avoid damaging the side panels place a pad between the hand-truck and the range.

5. Tilt the range to lower the hand-truck wheels off the skid.
6. Place the appliance runners on the floor at the left and right sides in front of the opening.

**IMPORTANT:** the runners provide a surface for rolling the range into the final position and will protect the floor finish. The runners must be removed before levelling the range.

7. Move the range indoors. Position the range in front of the installation location, onto the runners.

## PARTS NEEDED TO INSTALL THE COOKER

	
<p style="text-align: center;">Gas line shut – off valve</p>	<p style="text-align: center;">Flare union adaptor</p>
	
<p style="text-align: center;">135 – degree elbow (optional)</p>	<p style="text-align: center;">Flexible metal appliance connector ½ in (ID) x 5 ft</p>
	
<p style="text-align: center;">Utility knife</p>	<p style="text-align: center;">Lag bolt or ½ in (OD) sleeve anchor</p>
	
<p style="text-align: center;">Soapy water solution</p>	<p style="text-align: center;">Level</p>

## INSTALLATION REQUIREMENTS

---

Pre-installation checklist:

- Before preparing the opening in the countertop or cabinet, verify that there will be no conflict between the range and anything in the cabinet below.
- Remove packing materials, grate boxes, regulator with literature, and literature package from the range, verify that all items are present before beginning the installation.

## GENERAL REQUIREMENTS

---

### Clearances and dimensions

1. For OTR over Gas Stove, please follow local GAS CODE.
2. BEFORE YOU BEGIN to install this appliance, refer to the following information, dimensions, and clearances. Do not locate the range where it may be subject to strong drafts. Provide adequate clearances between the range and adjacent combustible surfaces. These dimensions must be met for safe use of the range. The location of the electrical outlet and gas piping may be adjusted to meet the following dimensions and clearances.

Any openings in the wall behind the appliance or in the floor underneath it must be sealed.



### **CAUTION:**

This range has been designed to comply with the maximum allowable wood cabinet temperature of 194 °F (90 °C). Make sure the wall covering, countertops, and cabinets around the range can withstand the heat (up to 194 °F [90 °C]) generated by the range. If not, discoloration, delamination, or melting may occur.

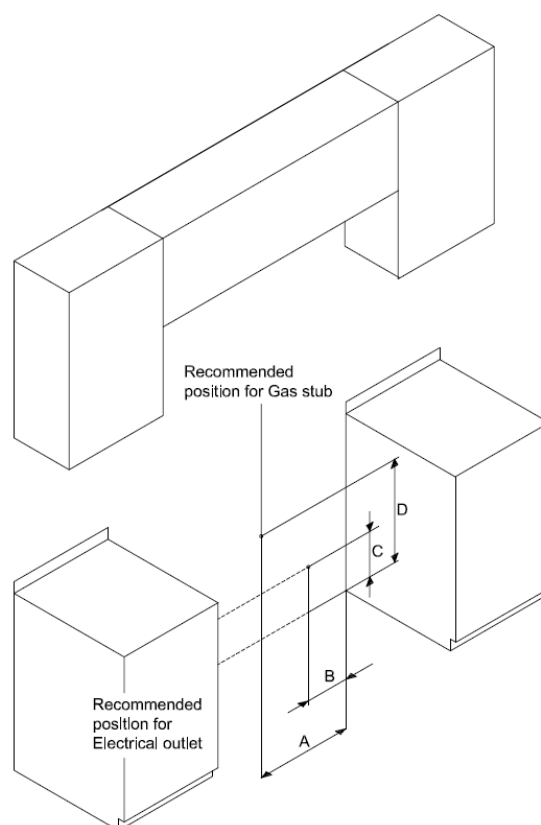
## CABINET DIMENSIONS

- All maximum and minimum dimensions and clearances shown in the diagrams below must be maintained for safe operation.
- Check the location where the range is to be installed. It should be placed away from drafts that may be caused by doors, windows and heating and air conditioning outlets.
- Cabinet/countertop depth is at discretion of customer but cabinet face MUST NOT protrude further than rear of front panel, see product dimensions.

## GAS AND ELECTRICAL SERVICE

- The shaded area shown below denotes the location of the gas inlet and the electrical junction box/receptacle. This is the recommended location. For replacement purposes, the location of the existing utilities may be utilized provided they do not interfere with the sides or rear of the range. Check local building codes for permissible gas valve locations.
- An external manual shut-off valve must be installed between the gas inlet and the range for the purpose of turning on or shutting off gas to the appliance. The installation must allow for the following:
  - Access to the gas shut-off valve when the unit is installed.
  - Access to the remote circuit breaker panel/fuse box, when the range is in place.
  - The gas supply piping and shut-off valve, and the electrical junction box/receptacle must be located so they do not interfere with the range when it is installed.
  - The junction box and gas shut off valve must be located so that the range can be pulled out for service while the appliance remains connected.

Model	A	B	C	D
<b>36"</b>	8 7/8" (22.5 cm)	6 5/8" (16.8 cm)	11 3/16" (28.4 cm)	24 1/4" (61.6 cm)
<b>48"</b>	5 1/2" (13.9 cm)	6 5/8" (16.8 cm)	8 1/8" (20.6 cm)	26 5/8" (67.6 cm)
<b>60"</b>	31" (78.7 cm)	10" (25.4 cm)		





## **PROVIDE ADEQUATE GAS SUPPLY**

---

Be certain that the appliance being installed is correct for the gas service provided (natural gas).

The pressure regulator located at the inlet of the cooktop manifold must remain in the supply line regardless of whether natural or Propane gas is being used.

### **NOTE:**

- The range top has its own regulator. Use only the provided regulator, which must be installed in the gas line that runs from the cooktop gas inlet to the gas shut-off valve.
- For a new product, never install used connectors, which can leak gas and cause personal injury. Use only new, flexible connectors.

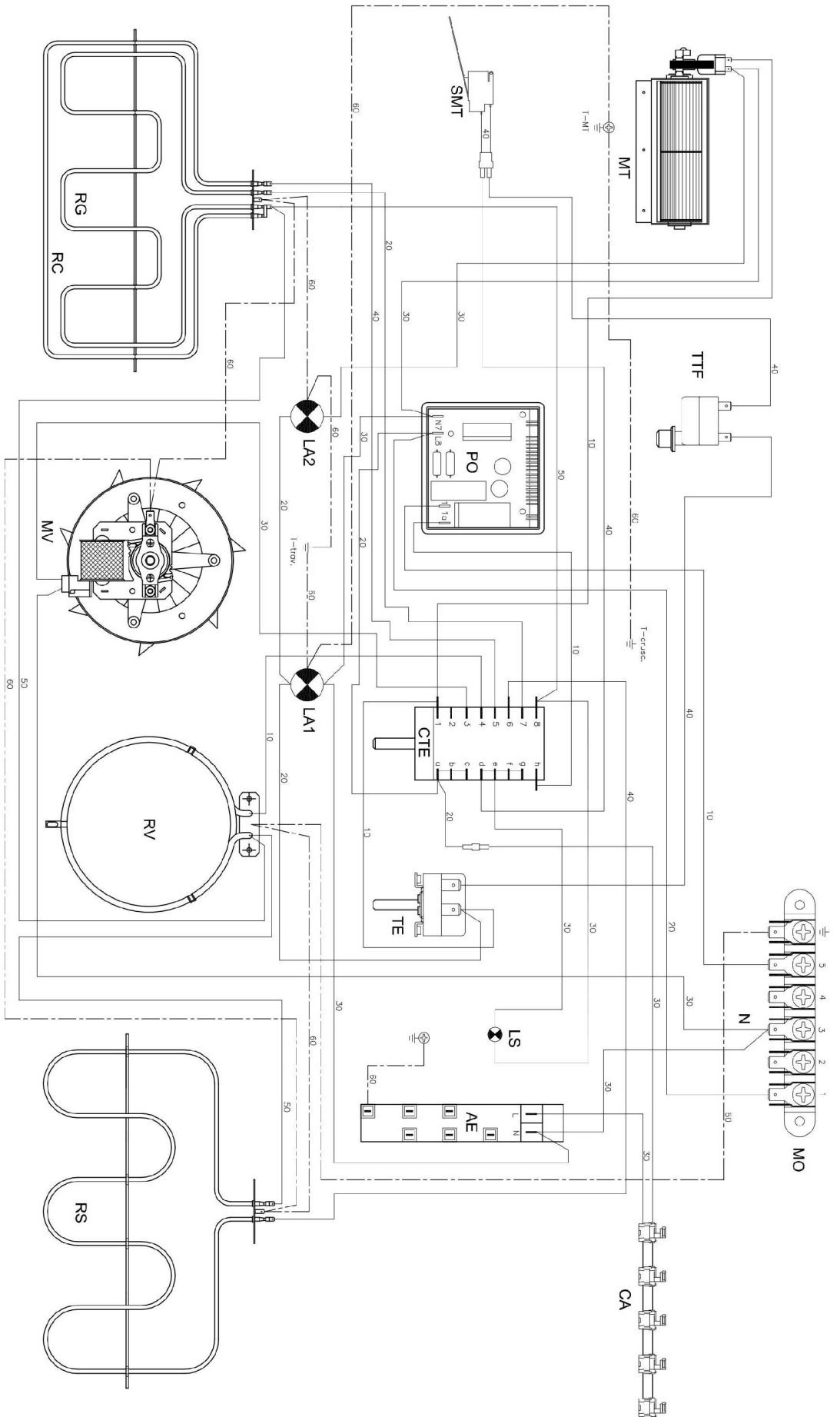
## **ELECTRICAL REQUIREMENTS**

---

- It is the owner's responsibility to make sure that the electrical service meets electrical requirements and that the electrical outlet has been properly installed by a licensed electrician.
- Do not use an extension cord or adapter plug with this range.
- This range must be properly grounded.
- Wiring diagram is located on the back of the range. (Inside of the cover back wire)
- A dedicated circuit breaker is recommended.

# 36" COOKER

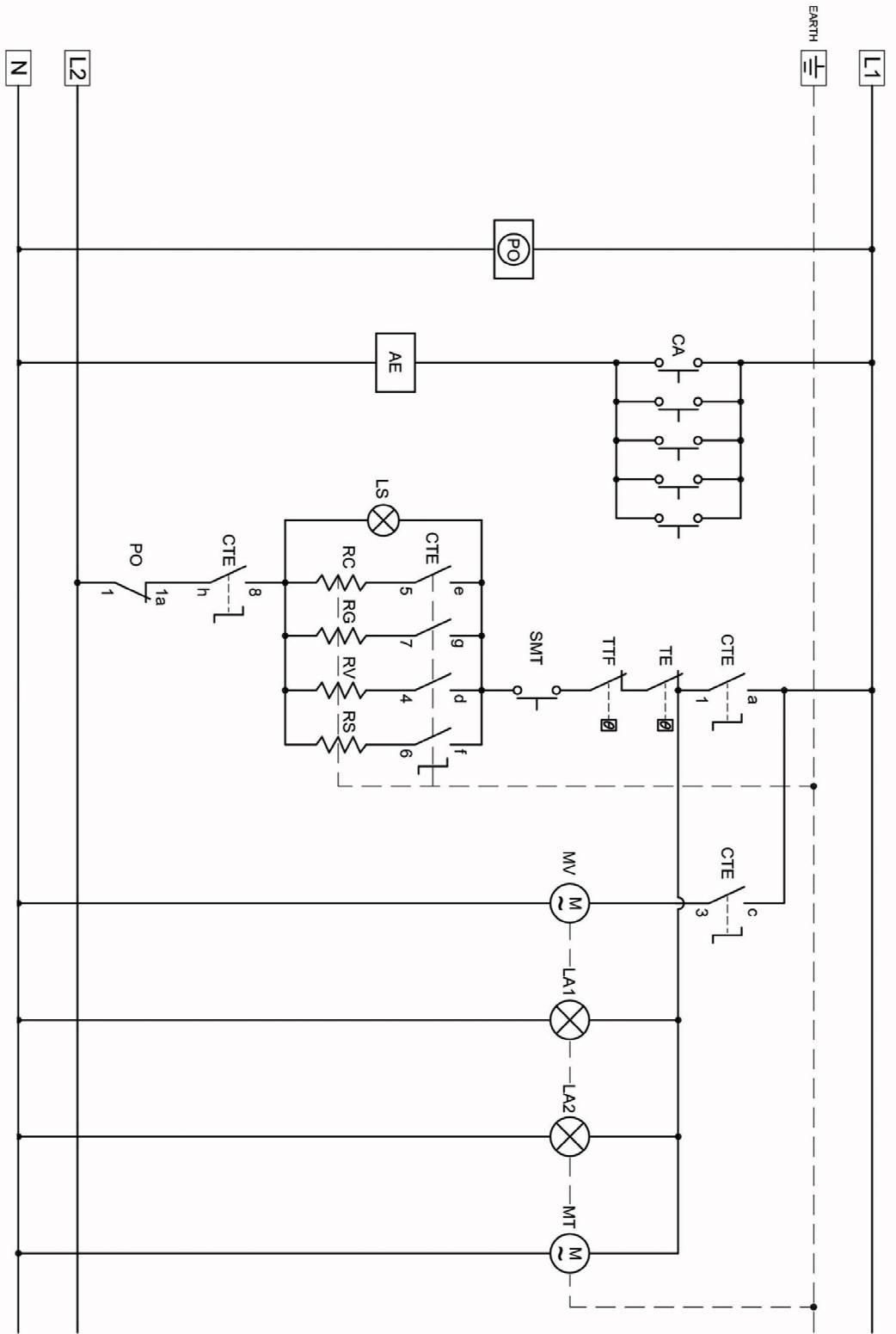
ELECTRIC DIAGRAM KEY					
TE	Electric Thermostat	PO	Clock Programmer	RFC	Upper Heating Element
CTE	Electric Thermostat Commutator	SMT	Cooling Fan Air-Switch	RFS	Bottom Heating Element
LS	Pilot Lamp	AE	Electric Ignition	TTF	Safety Fixed Thermostat
LA	Oven Lamp	MT	Cooling Fan Motor	CA	Ignition Switches Group
RG	Grill Heating Element	MO	Terminal Block	TEP	Timer
MV	Oven Fan Motor	RV	Circular Heating Element		



Caution: Label all wires prior to disconnection when servicing controls.

Wiring errors can cause improper and dangerous operation.

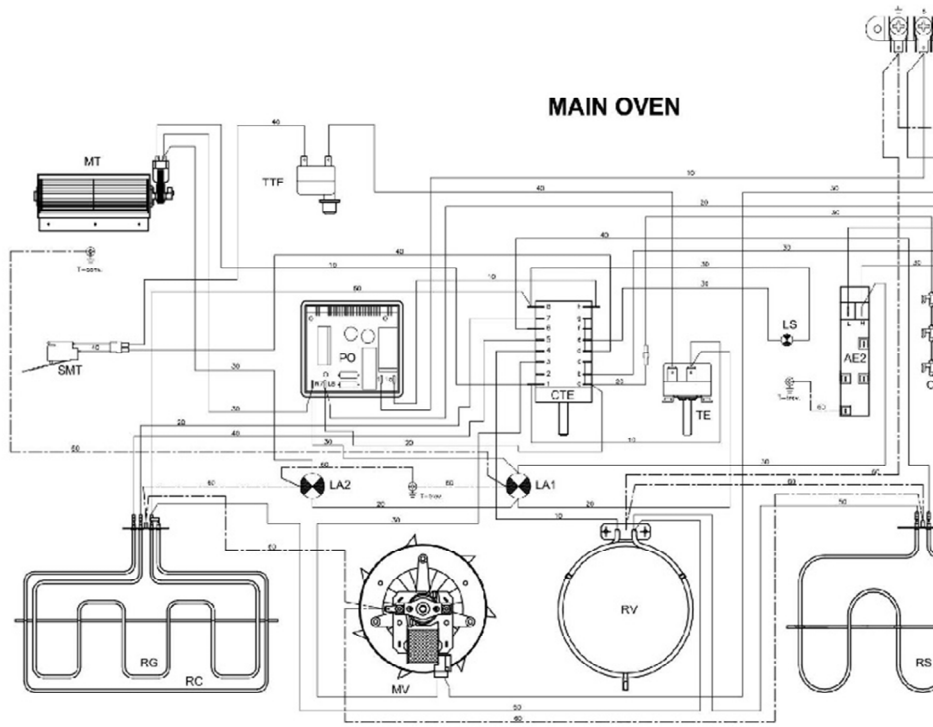
Verify proper operation after servicing.



CIRCUIT DIAGRAM KEY

TE	Electric Thermostat	PO	Clock Programmer	RFC	Upper Heating Element
CTE	Electric Thermostat Commutator	SMT	Cooling Fan Air Switch	RFS	Bottom Heating Element
LS	Pilot Lamp	AE	Electric Ignition	TTF	Safety Fixed Thermostat
LA	Oven Lamp	MT	Cooling Fan Motor	CA	Ignition Switches Group
RG	Grill Heating Element	MO	Terminal Block	TEP	Timer
MV	Oven Fan Motor	RV	Circular Heating Element		
L	Phase	N	Neutral		

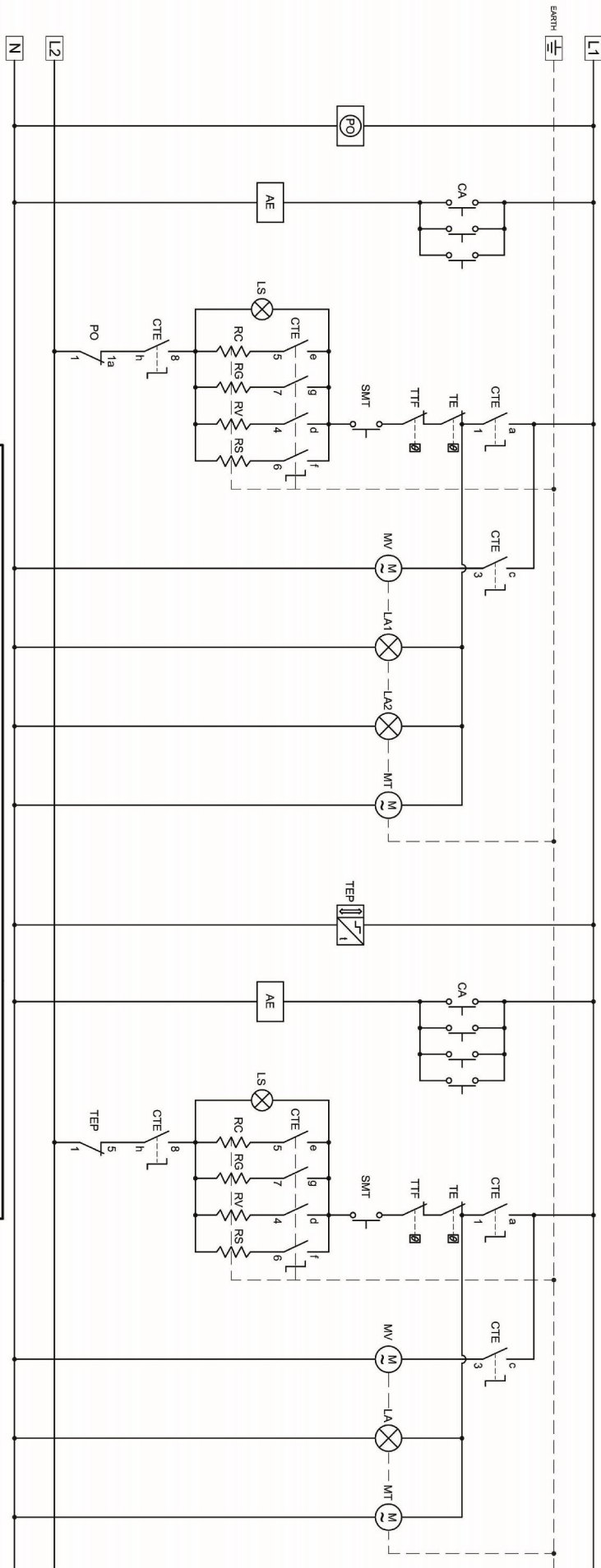
# 48" COOKER



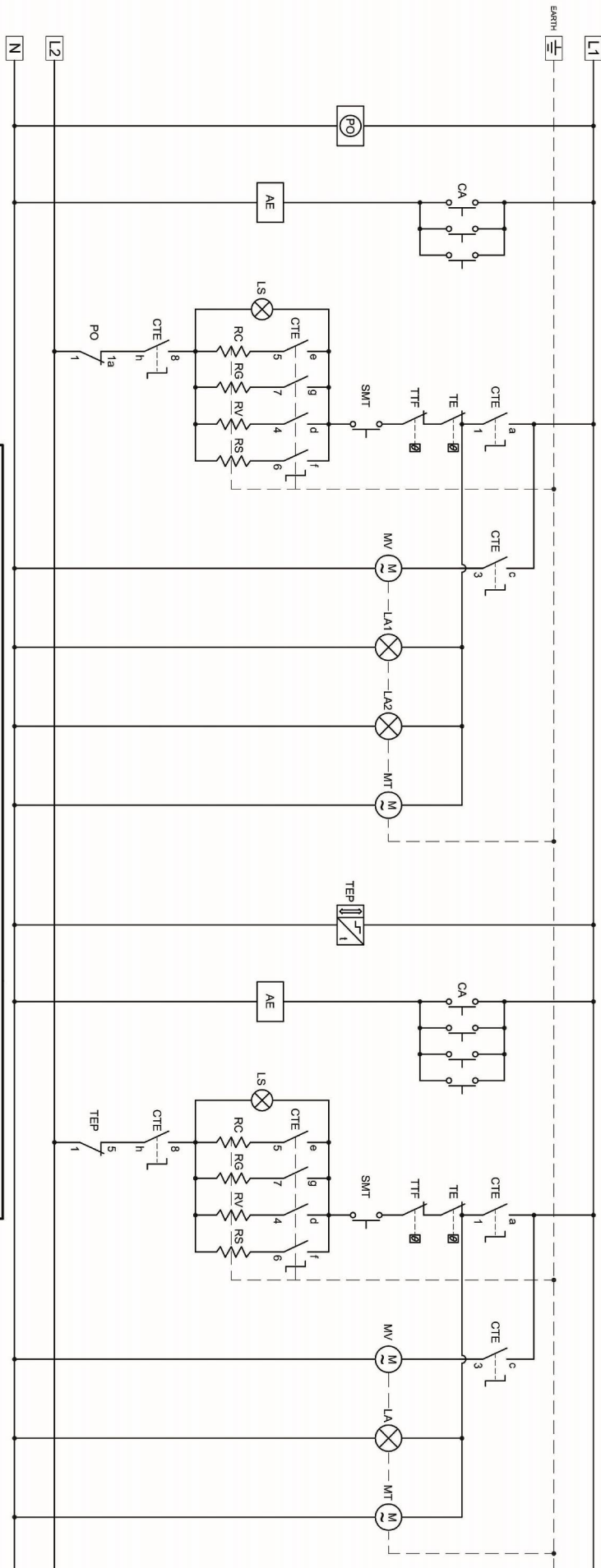
ELECTRIC DIAGRAM KEY					
TE	Electric Thermostat	PO	Cook Programmer	FFC	Upper Heating Element
CTE	Electric Thermostat Controller	GMT	Cooling Fan Air Switch	FFD	Bottom Heating Element
LS	Pilot Lamp	AE	Electric Ignition	TTF	Safety Flare Thermostat
LA	Oven Lamp	MT	Cooling Fan Motor	CA	Ignition Switches Group
RG	Grid Heating Element	MO	Terminal Block	TEP	Timer
MV	Oven Fan Motor	RV	Circular Heating Element		
				10	Black
				20	Red
				30	White
				40	Grey
				50	Blue
				60	Green

Caution: Label all wires ;  
 Wiring errors ca  
 Verify proper op

### MAIN OVEN



### SIDE OVEN



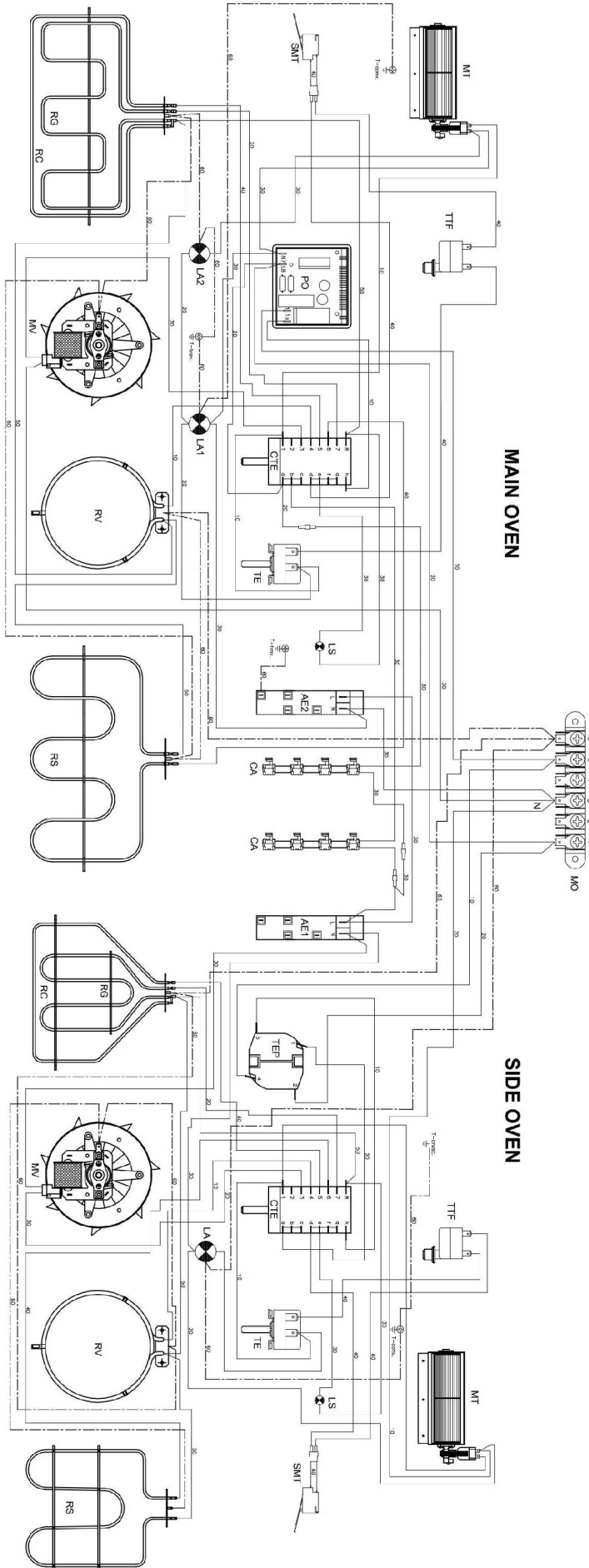
CIRCUIT DIAGRAM KEY

TE	Electric Thermostat	PO	Clock Programmer	RFC	Upper Heating Element
CTE	Electric Thermostat Commutator	SMT	Cooling Fan Air Switch	RFS	Bottom Heating Element
LS	Pilot Lamp	AE	Electric Ignition	TTF	Safety Fixed Thermostat
LA	Oven Lamp	MT	Cooling Fan Motor	CA	Ignition Switches Group
RG	Grill Heating Element	MO	Terminal Block	TEP	Timer
MV	Oven Fan Motor	RV	Circular Heating Element		
L	Phase	N	Neutral		

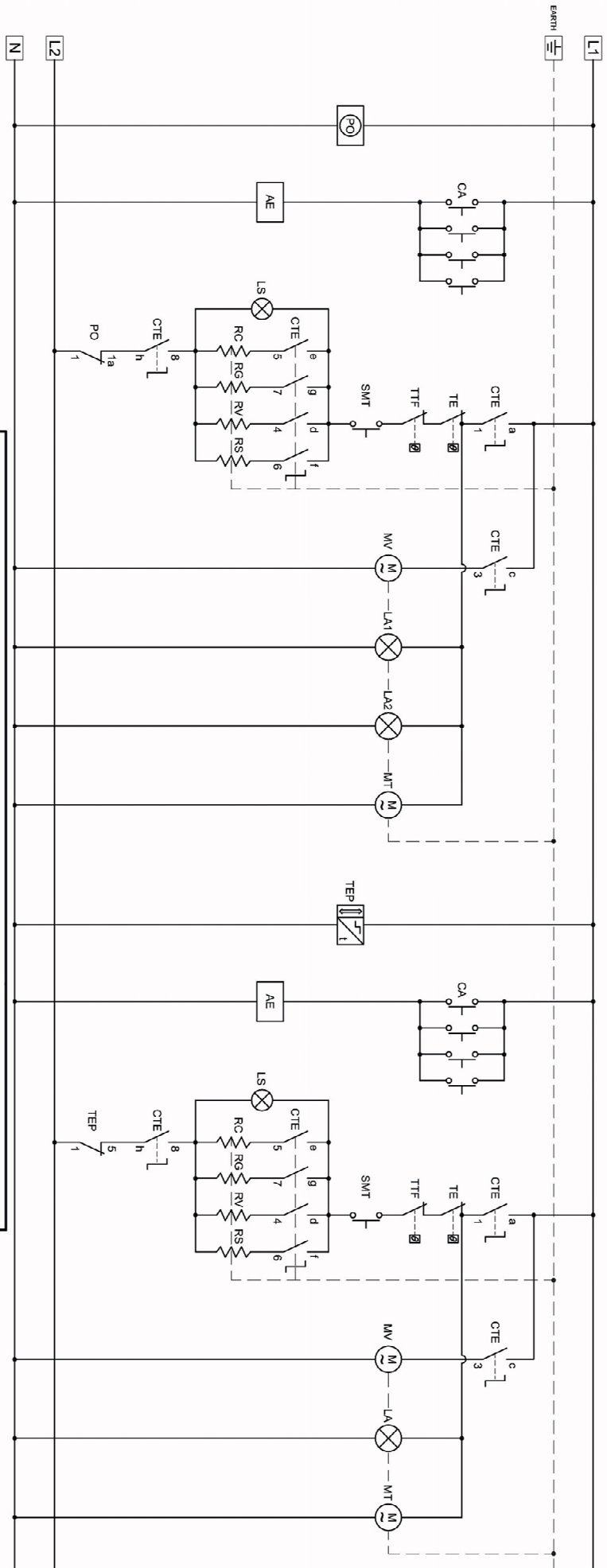
# 60" COOKER

ELECTRIC DIAGRAM KEY					
TE	Electric Thermostat	PQ	Cook Prognosis	RV	Back
TE	Electric Thermostat	PTC	User Heating Element	RS	Right
TE	Electric Thermostat	PT	Probe Temperature	RV	Right Vent
LS	Light Switch	AE	Electric Assisted	RV	Right Vent
LA	Over Load	MT	Control Fan Motor	CA	Control Assisted Gas Valve
RG	Right Heating Element	MV	Control Fan Motor	TEP	Timer
MV	Over Fan Motor	RV	Control Heating Element	60	60
				80	80
				Green	Green

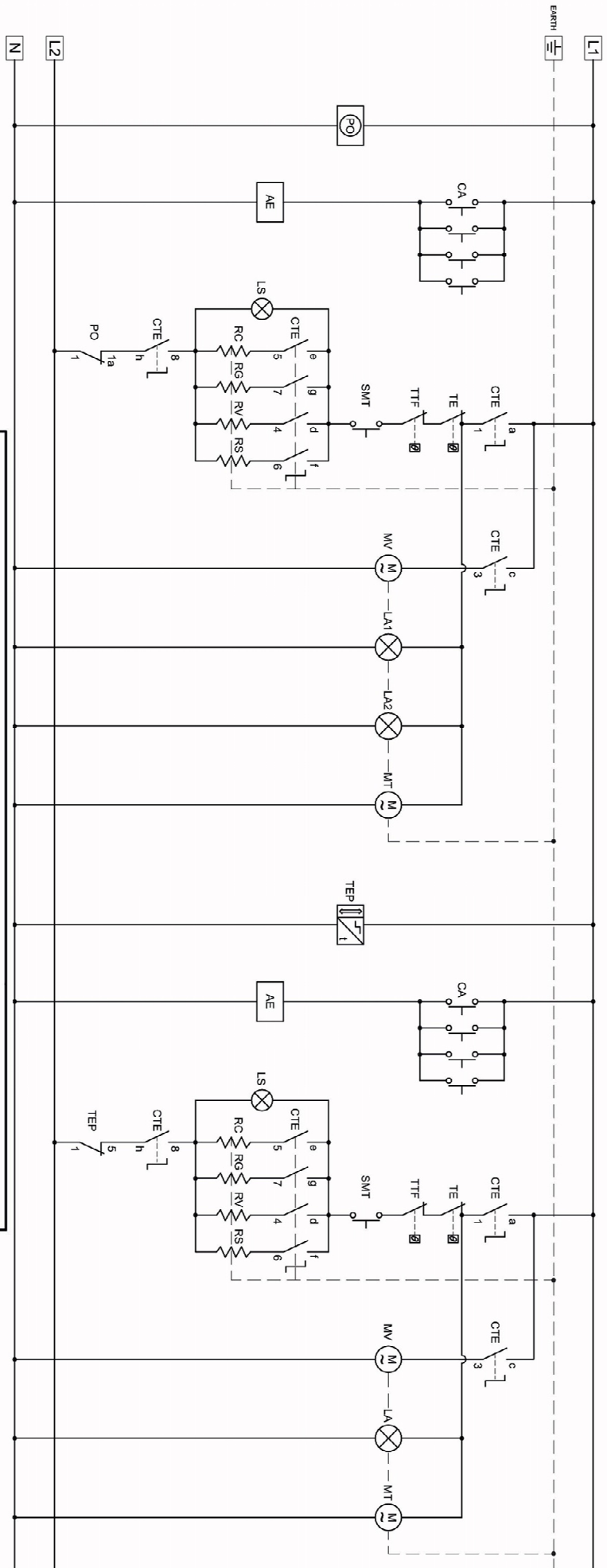
Caution: Label all wires prior to disconnection when servicing controls. Wiring errors can cause improper and dangerous operation. Verify proper operation after servicing.



### MAIN OVEN



### SIDE OVEN



CIRCUIT DIAGRAM KEY

TE	Electric Thermostat	PO	Clock Programmer	RFC	Upper Heating Element
CTE	Electric Thermostat Commutator	SMT	Cooling Fan Air Switch	RFS	Bottom Heating Element
LS	Pilot Lamp	AE	Electric Ignition	TTF	Safety Fixed Thermostat
LA	Oven Lamp	MT	Cooling Fan Motor	CA	Ignition Switches Group
RG	Grill Heating Element	MO	Terminal Block	TEP	Timer
MV	Oven Fan Motor	RV	Circular Heating Element		
L	Phase	N	Neutral		

# INSTALLATION INSTRUCTION

- ✓ The maximum depth of cabinets installed above top surface cooking sections must be 13 in (330 mm).
- ✓ The installation shall be made with a connector that complies with the Standard for Connectors for Movable Gas Appliances, ANSI Z21.69 – CSA 6.16, and a quick-disconnect device that complies with the Standard for Quick – Disconnect Devices for Use With Gas Fuel, ANSI Z21.41 – CSA 6.9.
- ✓ The manual valve must be installed in an accessible location in the gas piping.

## PREPARING FOR INSTALLING:

### 1. Unpacking the Range

Unpack the parts box and verify that all required components have been provided. If any item is missing or damaged, please contact your dealer immediately. Do not install a damaged or incomplete appliance.

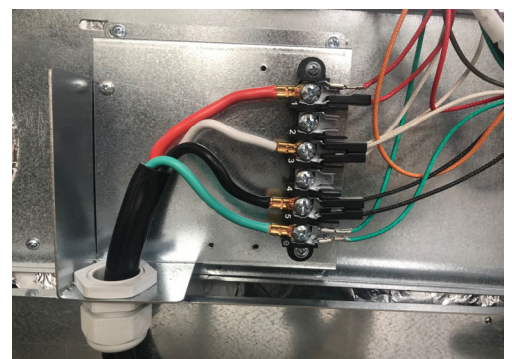
### 2. Removing the Oven Door

- Do not attempt to disengage the hinge catches with the door(s) removed from the range. The hinge springs could release causing personal injury.
- Do not lift or carry the oven door(s) by the handle.
- To make the range easier to move, remove the door(s) to reduce weight.

### 3. Electrical connection

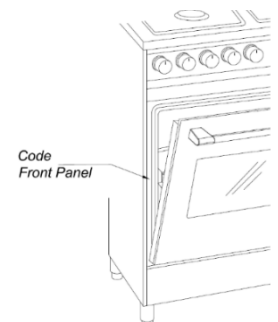
For personal safety, do not use an extension cord with this appliance. Remove house fuse or open circuit breaker before beginning installation.

Only a 4-conductor power-supply cord kit rated 125/250V, 50A, with ring or fork type connector and marked for use with ranges shall be used.



## CUSTOMER SERVICE INFORMATION

The serial number, model can be found on the inner side of door trim. For all other information about the appliance, see the labels on the back of the appliance.





#### **4. Gas connection**

- Make sure the gas supply valve is off and that the power to the range is turned off at the circuit breaker or fuse box prior to connecting the gas line.
- Do not apply excessive pressure when tightening gas connections and fittings.
- Do not use Teflon tape or plumber's putty on gas flex line connections.
- Check all gas lines for leaks as instructed to avoid a fire or explosion hazard. Do not use a flame to check for leaks.

The gas pressure regulator is pre-set at the factory for the type of gas intended for use with the appliance. To verify that the appliance is compatible with the type of gas available, check the range rating label.

Consult your dealer if the range is not compatible with the type of gas supplied.

#### **Before sliding the range into the cabinet:**

1. Make sure the gas supply valve is in the off position and that power to the range is off.
2. Connect a flexible gas supply line to the gas shut-off valve previously installed on the stub out. The gas line needs to be long enough to allow the range to be pulled out for service.
3. Connect the gas line to the regulator.
4. Turn all cooktop control valves to the "OFF" position. Turn on the gas supply.
5. Check all lines and connections for leaks using a soap and water solution.
6. After verifying that there are no gas leaks, turn off the gas supply valve connected to the range to the "OFF" position.

#### **5. Final installation**

- Peel the protective coating off the range, including the door.
- Measure from the floor to the countertop. Adjust the levelling legs as required to position the trim around the cooktop even with or above the countertop.

#### **6. Installing the knobs for surface burners**

When installing the knobs, align the "D" shaped opening on the back of the knob with the end of the valve shaft. Carefully push the knob on until it stops.

There are two (2) different types of knobs supplied with the range.

## 7. Assembling the range top burners

- Do not operate the range top burners without all burner parts in place.
- Do not push in any range top controls while removing the burner; a slight electrical shock might result, perhaps causing you to knock over hot cookware.
- Do not risk electric shock by removing the top or touching the electrode of any burner while another burner is on.

## 8. Installing the grates

For best results and longest life, install the grates as instructed below. When installed properly, the openings in the grates are centred over the burners.

The grates occupy specific positions on the range top. For maximum stability and safe operation, these grates should only be used in their proper positions.

Grates are not interchangeable.

## INJECTORS TABLE – MAXIMUM INLET PRESSURE TO THE REGULATOR

BURNERS	NOMINAL POWER BTU/hr	NATURAL GAS (A)		PROPANE (E)	
		<i>Manifold Pressure (i.w.c.)</i>		<i>Manifold Pressure (i.w.c.)</i>	
		5" (12.7cm) (12.5mbar)		10" (25.4cm) (25mbar)	
		<i>min line pressure (i.w.c.)</i> <i>min pression de ligne (i.w.c.)</i>		<i>min line pressure (i.w.c.)</i> <i>min pression de ligne (i.w.c.)</i>	
		6" (15.2cm) (15mbar)		11" (27.9cm) (27.4mbar)	
		<i>max line pressure (i.w.c.)</i> <i>max pression de ligne (i.w.c.)</i>		<i>max line pressure (i.w.c.)</i> <i>max pression de ligne (i.w.c.)</i>	
		14" (35.6cm) ) (34.9mbar)		14" (35.6cm) (34.96mbar)	
		Ø injector (1/100 mm)		Ø injector (1/100 mm)	
Auxiliary	4000	90		60	
Semi-rapid (SR)	7000	120		78	
Rapid (R)	11000	150		96	
Dual (D)	16000	80/165		50/105	

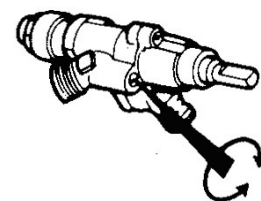
## REGULATING THE MINIMUM OUTPUT OF THE HOB BURNERS

Normal/valve taps

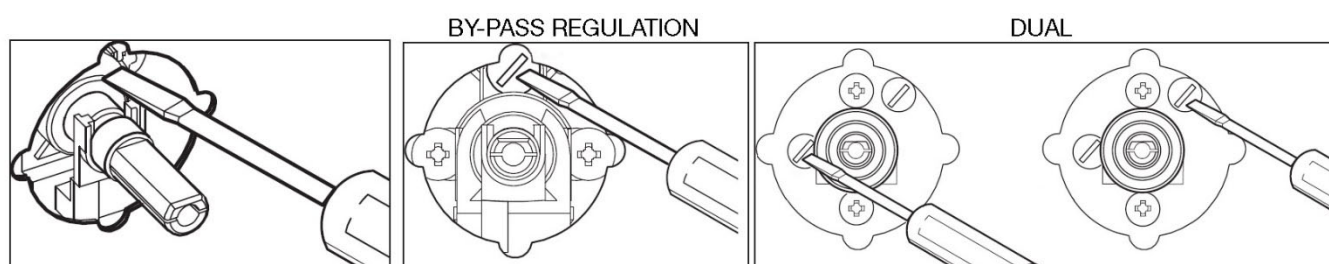
Ignite the burners and turn the knob to the maximum position. Remove the knob and insert a small flat-head screwdriver into the holes on the side of the control panel, in accordance with the type.

Loosen the by-pass screw by two turns in an anti-clockwise direction and rotate the rod to the minimum position.

Adjust the previously loosened screws until the flame is lowered but stable, even when rapid changes are made from the maximum to the minimum position with the burner cold. If safety taps are fitted, let the burner run on minimum for a few minutes to ensure that the device does not cut in. If does, increase the minimum.



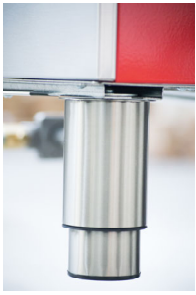
**N.B.: for liquid gas settings, the burner minimum must be set by fully tightening the tap by-passes.**



**N.B. Follow these instructions also after the replacement of the injectors from methane to propane gas (see the section “Gas conversion”).**

## FITTING THE ADJUSTABLE METAL FEET

	<p>When fitting the washer to the leg bolt make sure, the burr on the washer is facing upward away from the leg top.</p>
	<p>Leg assembly with washer fitted correctly. The lower part of the leg will unscrew to adjust the height and level of the cooker.</p>
	<p>Insert washer fitted to top of leg into base of cooker and slide the leg along the channel.</p>



Screw the leg up tight so the oven base is clamped between the washer and the top of the leg. Once all four legs have been fitted lift cooker onto the legs taking care to distribute the weight evenly onto all four legs at the same time.

**DO NOT** tip the appliance onto its legs, always lift the appliance onto its legs. (This will require two people).

For the installation, anchor the cooker by using the supplied kit referring to the relevant drawing. We provides two brackets, which will serve to anchor the wall-terminal of the cooker. We must fix the brackets to the wall, following the instructions of the drawings. We must then slightly lift the cooker to let in the bracket on the crease of the wall-terminal or working top cooker.

**IMPORTANT: The cooker with and without backsplash must be raised slightly in order to let the bracket on the edge of the hob.**

## WHEN ALL HOOKUPS ARE COMPLETE

---

Make sure all controls are left on the OFF position.

Make sure the flow of combustion and ventilation air to the range is unobstructed.

## LEVEL THE RANGE

---

The floor where the range is to be installed must be level. Follow the instructions under “Levelling the Range – Models Equipped with Levelling Legs”.

Slide the range into the cut-out opening.

## MODELS EQUIPPED WITH LEVELING LEGS

---

Level the range and set cooktop height before installation in the cut-out opening.

1. Install an oven rack in the center of the oven.
2. Place a level on the rack. Take 2 readings with the level placed diagonally in one direction and then the other. Level the range, if necessary, by adjusting the four leg levellers with a wrench.

3. Taking care to not damage the countertop, slide range into cut-out opening and double check for levelness.

**WARNING:**

**To prevent flare-ups and avoid creation of harmful by-products, do not use the cooktop without all burner caps properly installed to insure proper ignition and gas flame size.**

**Always keep the burner caps and burner heads in place whenever the surface burners are on use. Do not allow spills, food, cleaning agents or any other material to enter the gas orifice holder openings.**

## **MODEL AND SERIAL NUMBER LOCATION**

The serial plate is located on the oven front frame behind the oven door or on the drawer side frame.

When ordering parts for or making inquiries about your range, always be sure to include the model and serial numbers and a lot number or letter from the serial plate on your range.

Your serial plate also tells you the rating of the burners, the type of fuel and the pressure the range was adjusted for when it left the factory.

## **BEFORE YOU CALL FOR SERVICE**

Read the Avoid Service Checklist and operating instructions in your Use and Care Guide. It may save you time and expense. The list includes common occurrences that are not the result of defective workmanship or materials in this appliance.

Refer to the warranty and service information in your Use and Care Guide for phone number and address.

Please call or write if you have inquiries about your range product and/or need to order parts.

## **REMOVAL AND RE-INSTALLATION**

---

### **Removing the Range for Service**

1. Turn the gas supply valve to the off position.
2. Turn off power to the range at the circuit breaker panel or fuse box.
3. Pull the range out from the wall.

## Reinstalling the Range After Service

1. Push the range into operating position, making sure the anti tip bracket is engaged (see page 37 and following).
2. Turn on power to the range at the circuit breaker panel or fuse box.
3. Turn the gas supply valve to the on position.

## ASEMBLING THE BACKGUARD

---

### Backguard assembly instructions:

1. Remove the protective film from the backguard.
2. Place the backguard on the hob in correspondence with the references and fix the screws S1 and S2 as in fig.1.
3. Insert from below part B and fix the screws S2 as in fig.2.

The screws are included in the backguard kit.

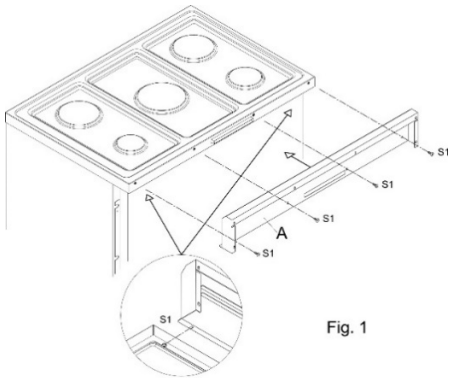


Fig. 1

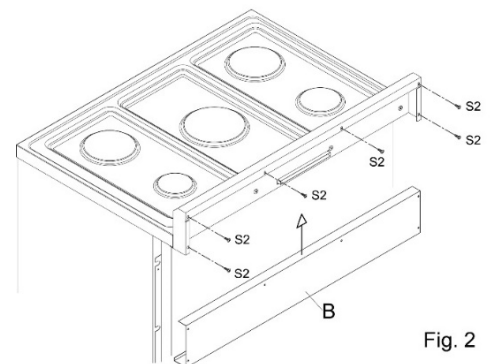


Fig. 2

## INSTALLATION OF THE ANTI-TILTING DEVICE

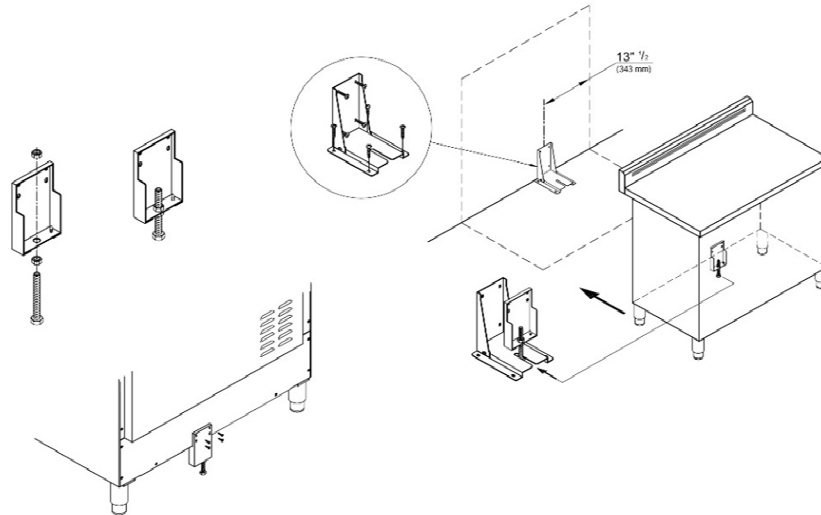
---

### FOR 36 RANGE COOKER

#### Adjustable bracket

1. Insert the bolt through the bracket, adjust the length of the bolt as needed and fix it in place by using the two provided nuts.
2. Make sure the nuts are well tightened.
3. Fix the bracket on the back of the cooker in the appropriate holes by using the four supplied screws.

4. Anchor bracket
5. The dotted line indicates the position of the installed cooker.



### ANCHOR BRACKET FASTENING

The bracket can be fixed in two ways: on the floor or on the back wall.

Four wood screws and four screws with plastic plugs are provided.

Use the appropriate screws, according to the type of material in the wall or floor.

If using plastic plugs: make holes 0 8 and insert the plugs before fixing the bracket with the screws.

Slide the cooker into place, making sure the bolt fits into the slot of the anchor bracket.

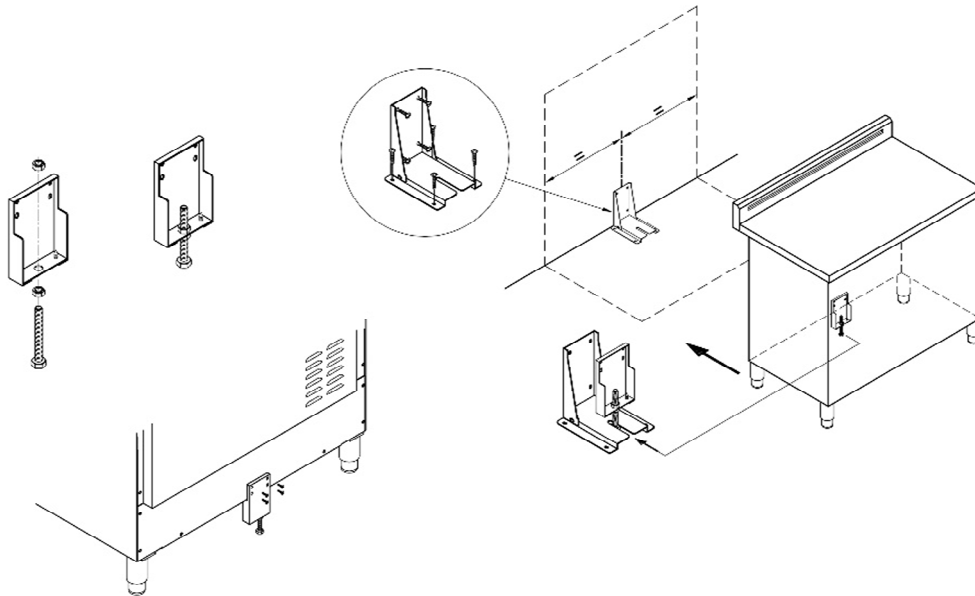
#### **IMPORTANT:**

**Before drilling holes or inserting screws into the floor or wall make sure not to damage electrical wiring or piping.**

### FOR 48 AND 60 RANGE COOKER

#### Adjustable bracket

1. Insert the bolt through the bracket, adjust the length of the bolt as needed and fix it in place by using the two provided nuts.
2. Make sure the nuts are well tightened.
3. Fix the bracket on the back of the cooker in the appropriate holes by using the four supplied screws.
4. Anchor bracket
5. The dotted line indicates the position of the installed cooker.



## **ANCHOR BRACKET FASTENING**

The bracket can be fixed in two ways: on the floor or on the back wall.

Four wood screws and four screws with plastic plugs are provided.

Use the appropriate screws, according to the type of material in the wall or floor.

If using plastic plugs: make holes 0 8 and insert the plugs before fixing the bracket with the screws.

Slide the cooker into place, making sure the bolt fits into the slot of the anchor bracket.

### **IMPORTANT:**

**Before drilling holes or inserting screws into the floor or wall make sure not to damage electrical wiring or piping.**



## ANTI TIP DEVICE

### **WARNING:**

**A child or adult can tip the range and be killed.**

**Verify the anti-tip device has been properly installed and engaged to the structure.**

**Ensure the anti-tip device is re-engaged when the range is moved.**

**Do not operate the range without the anti-tip device in place and engaged.**

**Installing the anti-tip device to the structure and/or the appliance.**

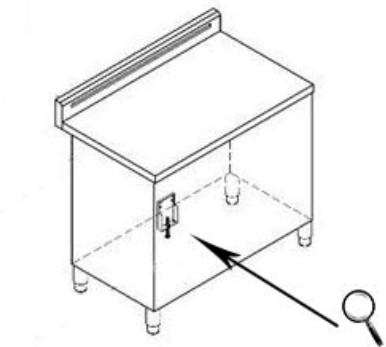
**Engage the range to the anti-tip device by using the four supplied screws.**

**Re-engaged the anti-tip device if the range is moved.**

**See installation instructions for details.**

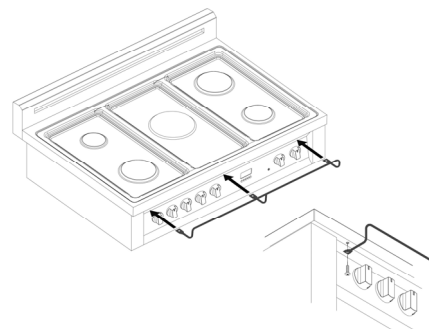
**Failure to do so can result in death or serious burns to children or adults.**

To check the installation of the anti-tipping safety system, we recommend that you view the installation of the bracket under the kitchen (in the visible part between the feet, see illustration).



## INSTALLATION OF THE FRONT PROTECTION OF THE HOB

To increase the distance between the front edge of the hob and the burners it is possible to install the front protection supplied with the appliance.  
For installation, see Fig. A and the supplied screws.



## GAS CONNECTION

### **WARNING:**

#### **Explosion Hazard**

- **Use a new CSA or UL approved gas supply line.**
- **Install a shut-off valve.**
- **Securely tighten all gas connections.**
- **If connected to Propane, have a qualified person make sure gas pressure does not exceed 14" water column.**
- **Examples of a qualified person include licensed heating per- sonnel, authorized gas company personnel, and authorized service personnel.**
- **Failure to do so can result in death, explosion, or fire.**

The supply line should be equipped with an approved shutoff valve. This valve should be located in the same room as the range and should be in a location that allows ease of opening and closing.

Do not block access to the shutoff valve. The valve is for turning on or shutting off gas to the appliance.

Open the gas shutoff valve in the gas supply line. Wait a few minutes for gas to move through the gas line.

The gas supply between the shutoff valve and the regulator may be connected by A.G.A./C.G.A.-approved flexible metallic union- connected piping where local codes permit use.

### **WARNING:**

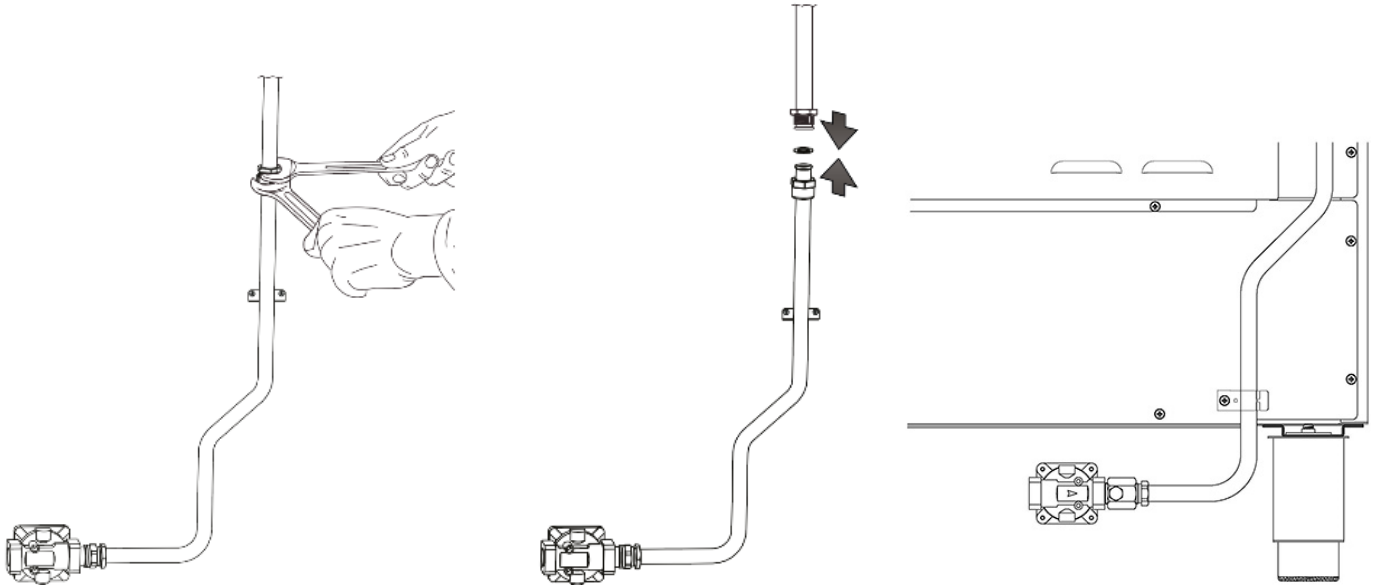
**You must use stability anti tip bracket to prevent unit from tipping.**

Connect the extension pipe and pressure regulator group to the range gas manifold ensuring the supplied gasket is positioned between. The regulator cover must be oriented toward the front side of the range.

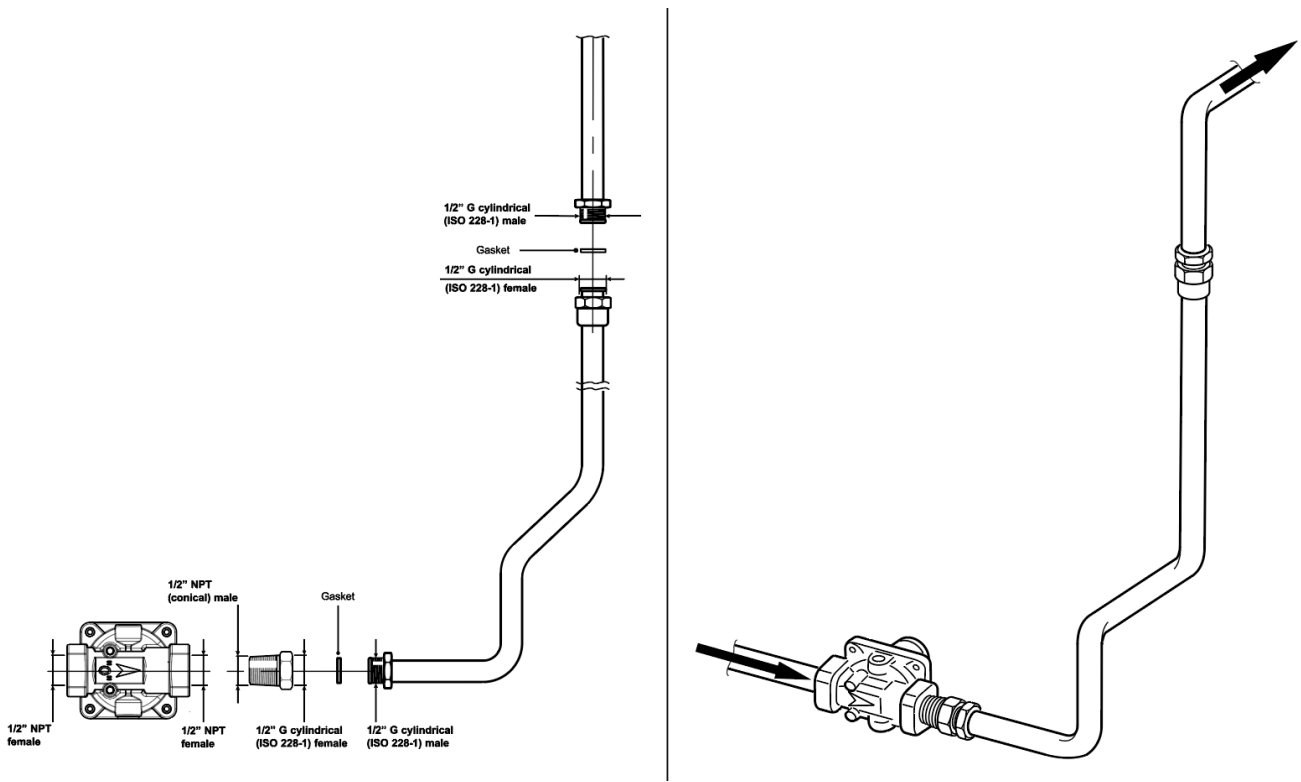
**IMPORTANT:**

Use two wrenches to tighten the connection.

Fix the extension pipe support bracket onto the back of the range using the two supplied screws.



Take care to ensure the bracket is fitted the right way up with the opening at the top. The regulator cover must be oriented toward the front side of the range. Gas connection specification:



## GAS CONVERSION

### **WARNING:**

**This conversion kit shall be installed by a qualified service agency in accordance with the manufacturer's instructions and all applicable codes and requirements of the authority having jurisdiction. If the information in these instructions is not followed exactly, a fire, explosion or production of carbon monoxide may result causing property damage, personal injury or loss of life. The qualified service agency is responsible for the proper installation of this kit. The installation is not proper and complete until the operation of the converted appliance is checked as specified in the manufacturer's instructions supplied with the kit. Check that there is an identification list of all the components provided by gas conversion nozzle kits inside the appliance. Save the orifices removed from the appliance for future use.**

## WARNING:

**The gas supply shall be shut off prior to disconnecting the electrical power, before proceeding with the conversion**

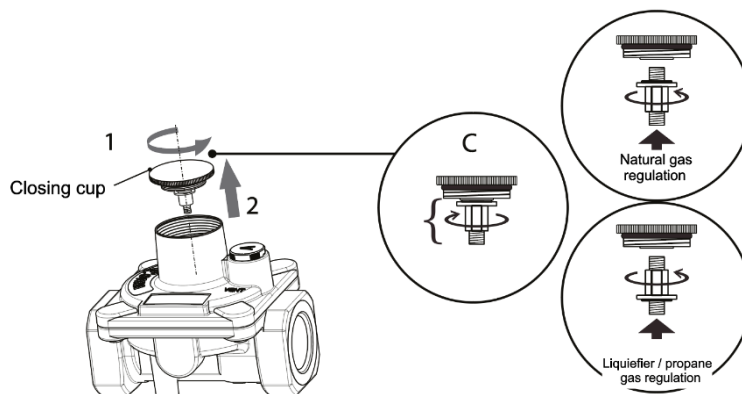
The kitchen is factory tested with Natural Gas, it can be converted into propane using the nozzle kit supplied with the product, following the appropriate instructions.

## IMPORTANT:

Check the correct positioning of the gas regulator. The arrow on the back of the gas regulator must be oriented toward the connector.

To adjust the pressure regulator:

1. Unscrew the regulator cover
2. Unscrew the component "C", invert and screw it in the direction of the regulation.



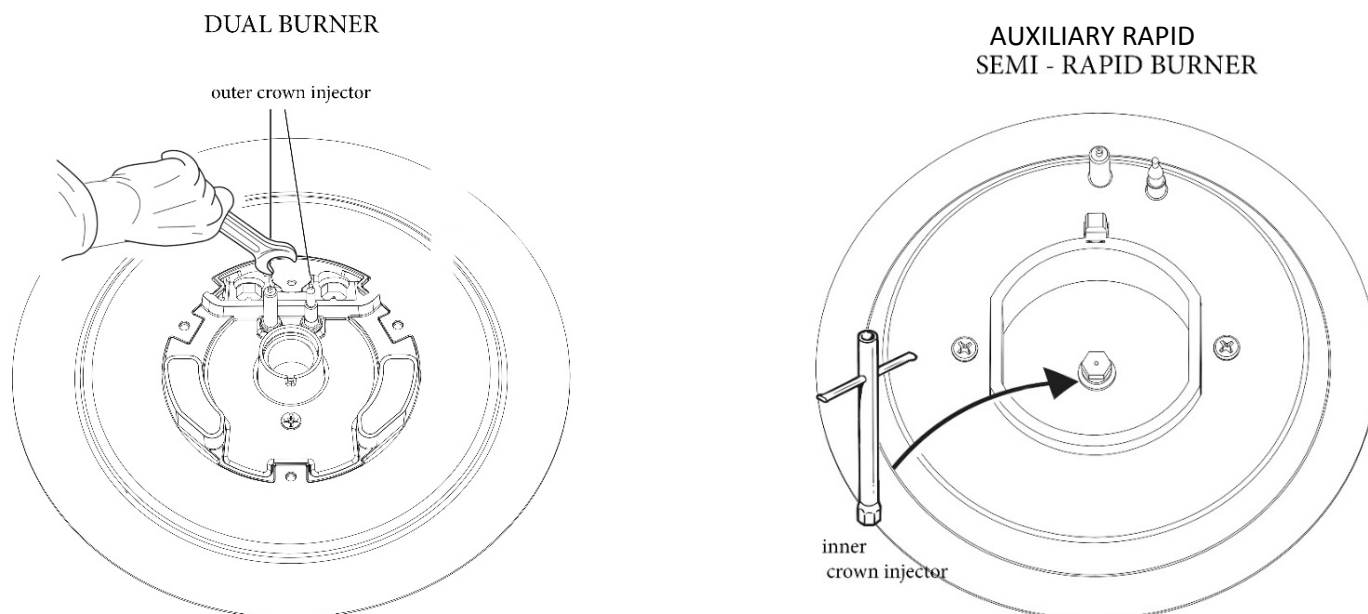
## OPERATIONS TO BE PERFORMED WHEN SUBSTITUTING THE INJECTORS

- ✓ Remove the gratings and the burner covers
- ✓ Remove currently installed injectors with a wrench
- ✓ Using a wrench substitute the nozzle injector with those most suitable for the kind of gas for which it is to be used.

The burner are conceived in such a way so as not to require the regulation of the primary air.

### Components list table (Propane Gas Injector)

Burner	Appliance dimensions		
	36"	48"	60"
Auxiliary	1 injector Ø 0.60 mm	1 injector Ø 0.60 mm	1 injector Ø 0.60 mm
Semi-rapid	1 injector Ø 0.78 mm	3 injector Ø 0.78 mm	3 injector Ø 0.78 mm
Rapid	2 injector Ø 0.96 mm	2 injector Ø 0.96 mm	2 injector Ø 0.96 mm
Dual (internal crow)	1 injector Ø 0.50 mm	1 injector Ø 0.50 mm	2 injector Ø 0.50 mm
Dual (external crow)	1 injector Ø 1.05 mm	1 injector Ø 1.05 mm	2 injector Ø 1.05 mm



**N.B. Repeat the minimum adjustment operation (see the section “Regulating the minimum output of the hob burners”)**

**N.B. Check that by pressing and turning the knob the burner is correctly lit with a stable flame.**

### **TEST THE APPLIANCE**

If you are interested in checking the possible leakage of your appliance; please proceed in the following way:

1. Please take a brush and a liquid detergent in order to check all the gas connections. If you see any bubble around the connections, there is a leakage.
2. If you see a leakage, please switch off the gas valve controls and please proceed to fix the connections.
3. Please check again the connections
4. Please proceed to remove all the remaining detergent from the appliance
5. Please replace the components on the burner and turn the knobs on the gas tap valves.

**ATTENTION: PLEASE DO NOT TEST FOR GAS LEAKAGES USING MATCHES OR OTHER FLAMES.**

6. Please check the presence of blue color of the flame at the maximum flame position. The flame should be clean and soft in character and you should not see any blowing or lifting of the flame. Please be so kind to note that you may see some orange flashes that are normal.
7. Please wipe away all the remaining detergent from the appliance.

8. Please replace the components on the burner and turn the knobs on the gas tap valve.

Minimum adjustment:

- **FOR NATURAL GAS:**

Please light the burner and turn the knob at the minimum position

Please then remove the gas tap knob and turn the adjustment screw at the sides of the tap rod until you reach the minimum required flame.

Please refit the knob and check whether the flame is stable (the flame should not go out while turning the knob quickly from the maximum to the minimum position).

Please proceed to repeat this operation on the other remaining gas taps of the hob.

- **FOR PROPANE GAS:**

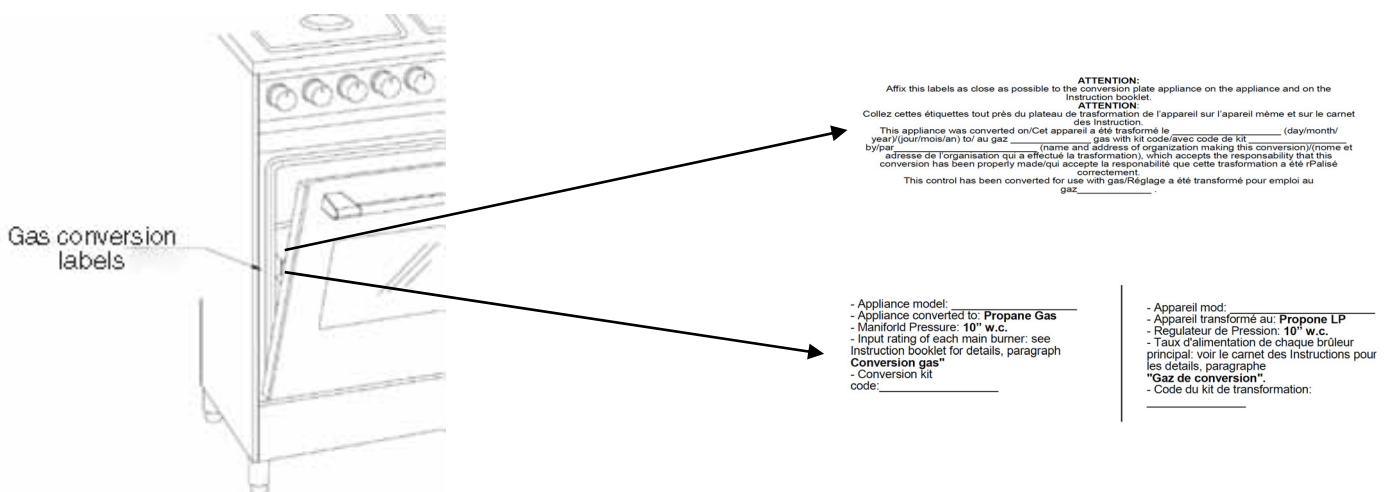
Please switch off the burner and proceed to disconnect the cooker from the electrical power supply.

In order to regulate the minimum with Propane gas, please verify that the screws at the sides of the tap rods must be turned clockwise.

Once you have completed the regulation, please replace the seal on the by-passes using some paint or similar materials.

Please read the instructions of point 9 to identify the adjustment screws.

**Warning: once the test has been completed, apply the conversion label present in the kit inside the kitchen door next to the serial number label.**



## SEAL THE OPENINGS

Seal any openings in the wall behind the range and in the floor under the range after gas supply line is installed.

## CONNECT THE RANGE TO THE GAS SUPPLY

Important: remove all packing material and literature from range before connecting gas and electrical supply.

To prevent leaks, put pipe joint sealant on all external pipe threads.



### **CAUTION:**

Do not allow regulator to rotate on pipe when tightening fittings.

## CONNECTION TO PRESSURE REGULATOR

The regulator is already installed on the appliance.



### **CAUTION:**

Do not make the connection too tight. The regulator is die cast. Overtightening may crack the regulator resulting in a gas leak and possible fire or explosion.

The user must know the location of the main shutoff valve and have easy access to it. When using flexible gas conduit on the range, allow sufficient slack to pull the range outside the cut-out for the cleaning or servicing.

### **NOTE:**

Do not allow the flexible conduit to get pinched between the wall and the range. To visually check, remove the range drawer.

If flexible connectors are used, be certain connectors are not kinked.



## GAS BURNERS

Electronic ignition integrated in the knob: turn the knob to the maximum position and press it fully and the burner ignites automatically.

● No gas supply (tap closed)

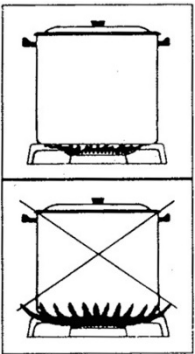


Maximum gas supply

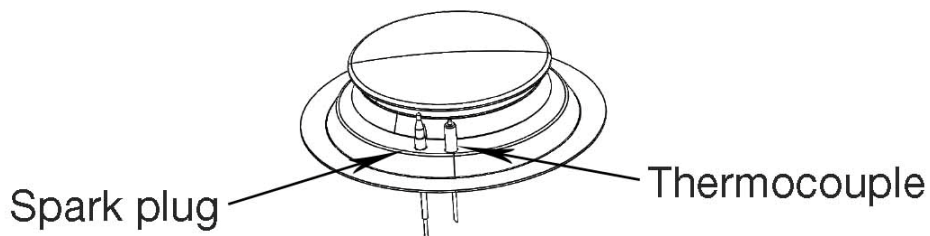
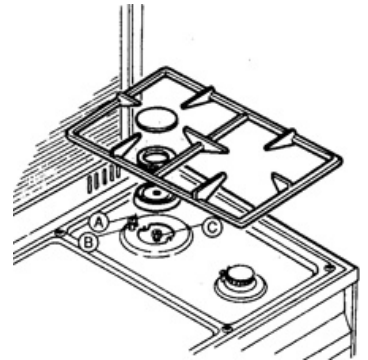


Minimum gas supply

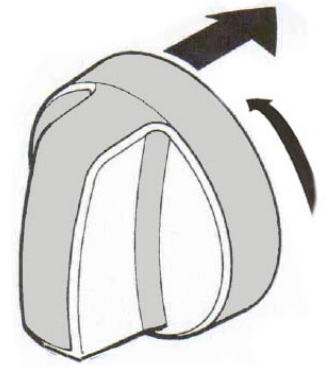
To obtain the minimum flow rate, turn the knob counterclockwise and position the index finger of the knob at the small flame.



Safety device: once the burner is ignited, keep the knob pressed for at least 5 ÷ 10 seconds and then release, the burner remains ignited by the thermocouple (A), which keeps the gas passage open through a safety valve, which in case of accidental burner shutdown interrupts the gas passage. In the event of a momentary power failure, the hob burner can be ignited manually using an igniter.

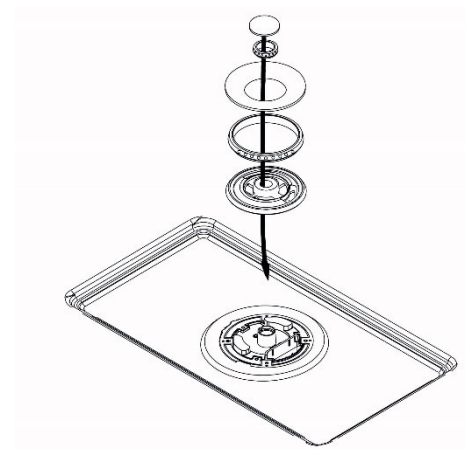
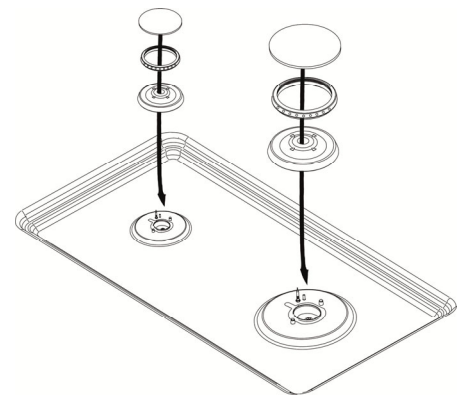
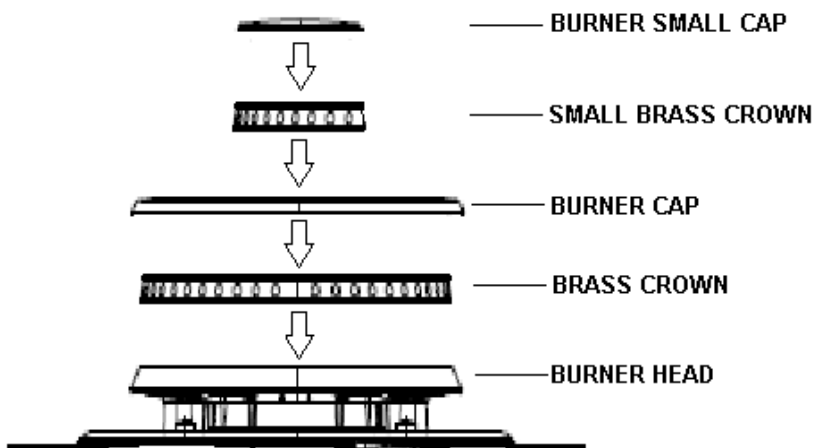


Push and turn the knob to the maximum gas position to induce a flame into the desired burner.  
In the event of accidental extinction of the flame, it is advisable to turn the knob to the off position.



## DISASSEMBLED AND REASSEMBLED GAS BURNERS

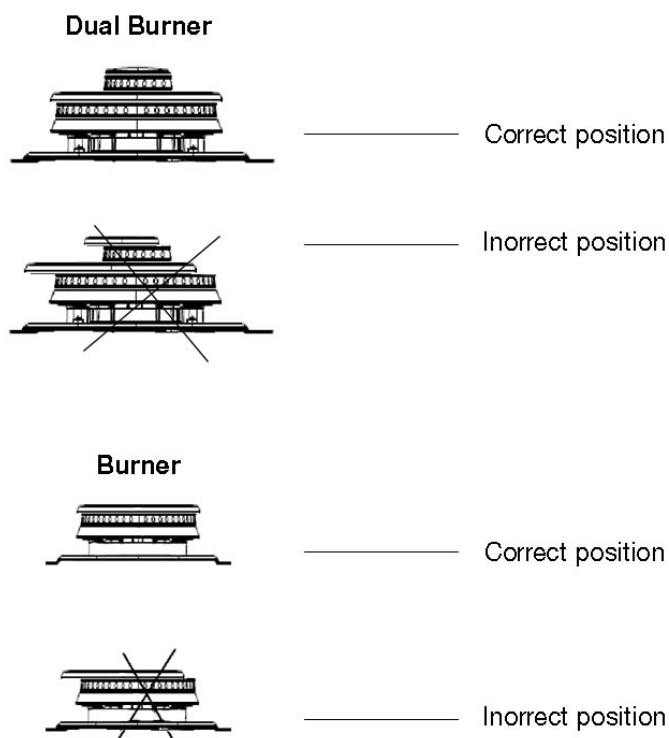
The burners can be disassembled and reassembled following the sequence in the picture for cleaning and maintenance.



## Assembly of the burner caps and burner grates

It is very important to make sure that all of the surface burner caps and surface burner grates are installed correctly and at the correct locations.

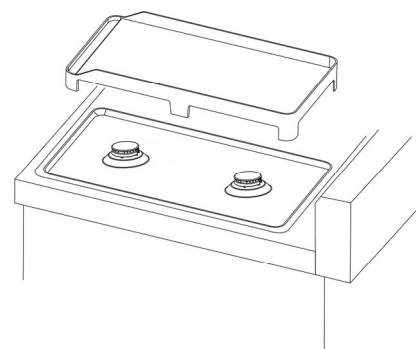
Once in place, you may check the fit by gently sliding the burner cap from side to side to be sure it is centered and firmly seated. When the burner cap lip makes contact inside the center of the burner head you will be able to hear the burner cap click.



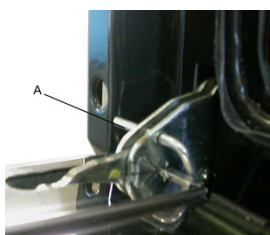
## TEPPANYAKI

The "Teppanyaki" accessory (if available) must be placed over two burners on the hob as shown in the photo.

**WARNING: it must not be placed on the hob with only one burner.**



## REMOVING AND FITTING THE OVEN DOOR



Insert an anti-rotation hinge in the appropriate holes. Hold the door by the sides and slowly close it until you can feel a certain resistance; now, while forcing the door closed, lift it in order to slide it out by freeing the hinge lock from the kitchen. To refit the door repeat the above instructions in reverse making sure the hinge lock is correctly fitted.

## REPLACING THE OVEN LIGHT BULBS

### **WARNING:**

**Disconnect power before servicing unit.**

To replace the oven light bulb, unscrew the protection cap that projects out inside the oven.

NOTE: touching the bulb with fingers may cause the bulb to burn out. Always use protective glove or use a cloth to remove the bulb.



## MOVING THE APPLIANCE FOR SERVICING AND CLEANING

### **WARNING:**

**When raising cooker to upright position always ensure two people carry out this manoeuvre to prevent damage to the adjustable feet.**

**Be careful: do not lift the cooker by the door handle when raising to the upright position.**

**When moving cooker to its final position, DO NOT DRAG. Lift feet clear of floor.**

### **WARNING:**

**Before cleaning the appliance, remove broiler trays and other utensils and wiping off all excessive spillage before initiating the cleaning cycle.**

**Do not clean door gasket: the door gasket is essential for a good seal. Care should be taken not to rub, damage, or move the gasket.**

**Do not use oven cleaners: no commercial oven cleaner or oven liner protective coating of any kind should be used in or around any part of the oven.**

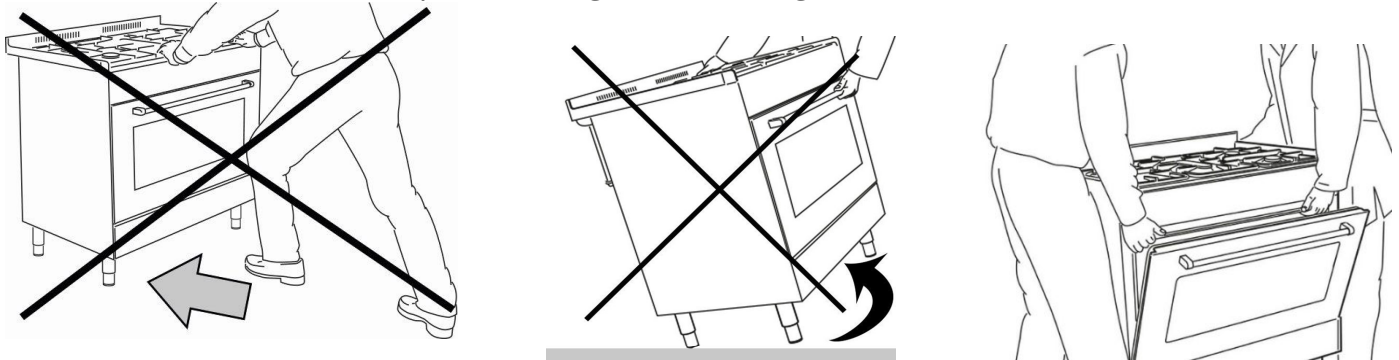
**Clean only parts listed in manual.**

## Before self-cleaning the oven: remove broiler pan and other utensils.

Turn off the range line fuse or circuit breakers at the main power source, and turn off the manual gas shut-off valve.

Make sure the range is cold. Remove the service drawer (warming drawer on some models) and open the oven door.

Lift the range at the front and slide it out of the cut-out opening without creating undue strain on the flexible gas conduit. Make sure not to pinch the flexible gas conduit at the back of the range when replacing the unit into the cut-out opening. Replace the drawer, close the door and switch on the electrical power and gas to the range.



## RANGE INSTALLATION

### IMPORTANT NOTE:

Door removal is not a requirement for installation of the range, but is an added convenience.

For models equipped with LEVELING LEG only (no levelling device):

Make sure the four levelling legs (front and rear) are setup higher than the height of the cabinet.



### CAUTION:

Install the anti-tip bracket at this point before placing the range at its final position. Follow the installation instruction on the anti-tip bracket template supplied with the range.



### CAUTION:

To reduce the risk of damaging your appliance, do not handle or manipulate it by the cooktop. Manipulate with care. Position range in front of the cabinet opening.





# **LOFRA®**

**Nuova Lofra S.r.l.**

**Via Montegrotto, 125 - 35038 TORREGLIA (PADOVA) - ITALY**

**Tel.: +39 049 9904811**

**Telefax: +39 049 9904800**

**Website: [www.lofra.it](http://www.lofra.it)**

Rev 1.23 - 25/05/2020