

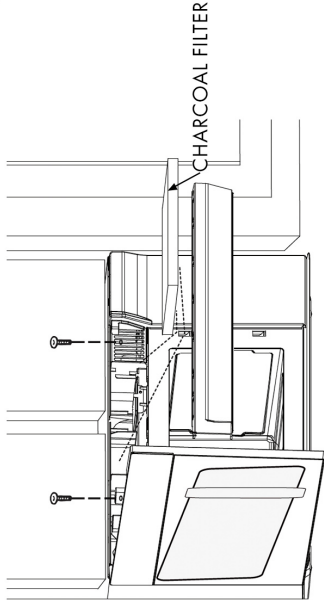


# CHARCOAL FILTER INSTALLATION

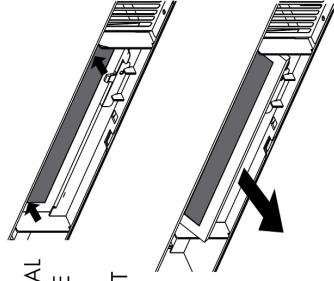
## MWO-CF

1. UNPLUG MICROWAVE OVEN OR DISCONNECT POWER.

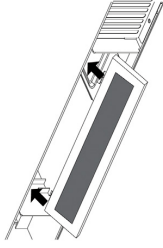
2. OPEN THE MICROWAVE DOOR AND REMOVE THE TWO VENT MOUNTING SCREWS, LOCATED ON TOP OF THE MICROWAVE USING A #1 PHILLIPS SCREWDRIVER.



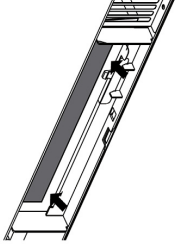
3. REMOVE THE CHARCOAL FILTER BY PUSHING THE TOP OF THE FILTER INWARDS, THEN PULL IT FORWARD OUT FROM THE UNIT.



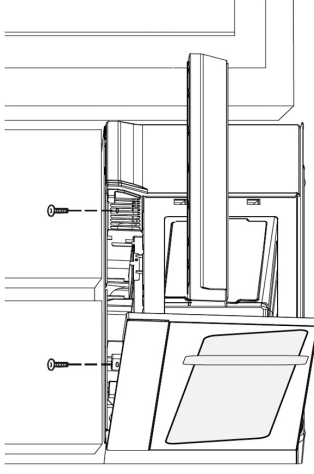
4. SLIDE THE TOP OF THE NEW CHARCOAL FILTER INTO THE TOP OF THE FILTER CAVITY.



5. PRESS THE BOTTOM OF CHARCOAL FILTER TO PLACE IT INTO THE CORRECT POSITION.



6. REINSTALL THE VENT BY SLIDING THE BOTTOM OF THE VENT INTO PLACE. PUSH THE VENT TOP INTO POSITION AND SLIDE RIGHT INTO PLACE. REPLACE THE TWO VENT MOUNTING SCREWS LOCATED ON TOP OF THE MICROWAVE USING A #1 PHILLIPS SCREWDRIVER.



7. CLOSE THE MICROWAVE DOOR. PLUG IN MICROWAVE OVEN OR RECONNECT POWER.

**PLEASE NOTE:** The charcoal filter is factory installed in some models. Refer to the Use and Care to see if yours is factory installed and for replacement information. For models without the recirculation filter access door, follow these steps to replace or install a CHARCOAL FILTER.