



Top-Loading Washer

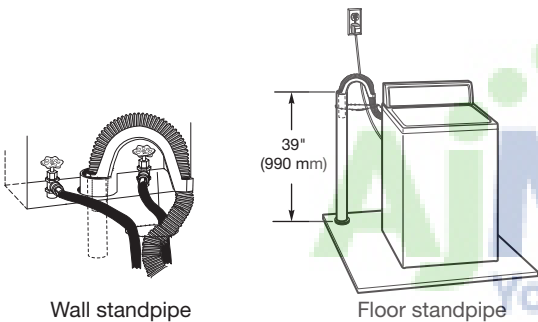
PRODUCT MODEL NUMBERS

MVWB400V, MVWB700V,
MVWB750W, MVWB300W,
MVWB450W, MVWB750W,
MVWB850W, MVWB755Y

Electrical: A 120 volt, 60 Hz., AC only, 15- or 20-amp, fused electrical supply is required. A time-delay fuse or circuit breaker is recommended. It is recommended that a separate circuit serving only this washer be provided.

DRAIN SYSTEM

Drain system can be installed using a floor drain, wall standpipe, floor standpipe, or laundry tub. Select method you need.

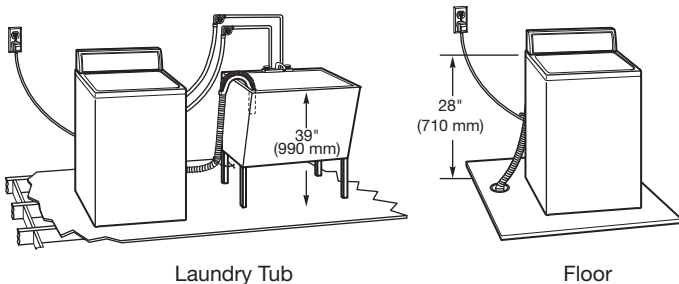


Wall standpipe

Floor standpipe

The standpipe drain requires a minimum diameter standpipe of 2" (51 mm). The minimum carry-away capacity can be no less than 17 gal. (64 L) per minute. A 2" (51 mm) diameter to 1" (25 mm) diameter standpipe adapter kit is available. See "Tools and Parts".

The top of the standpipe must be at least 39" (990 mm) high and no higher than 96" (2.4 m) from the bottom of the washer.



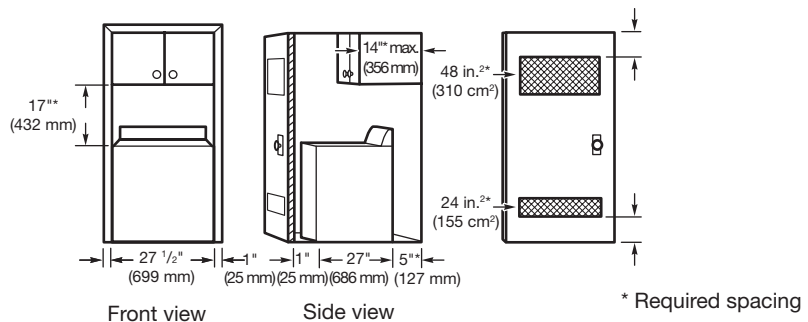
Laundry Tub

Floor

The laundry tub drain system needs a minimum 20 gal. (76 L) capacity laundry tub. The top of the laundry tub must be at least 39" (990 mm) above the floor and no higher than 96" (2.4 m) from the bottom of the washer.

The floor drain system requires a siphon break that may be purchased separately. See "Tools and Parts". The siphon break must be a minimum of 28" (710 mm) from the bottom of the washer. Additional hoses might be needed.

OVERALL DIMENSIONS



Front view

Side view

* Required spacing

Spacing for recessed area or closet installation

All dimensions show recommended spacing allowed, with tested spacing of 0" (0 mm) clearance on sides.

- Additional spacing should be considered for ease of installation and servicing.
- Additional clearances might be required for wall, door, and floor moldings.
- Additional spacing should be considered on all sides of the washer to reduce noise transfer.
- For closet installation, with a door, minimum ventilation openings in the top and bottom of the door are required. Louvered doors with equivalent ventilation openings are acceptable.
- Companion appliance spacing should also be considered.