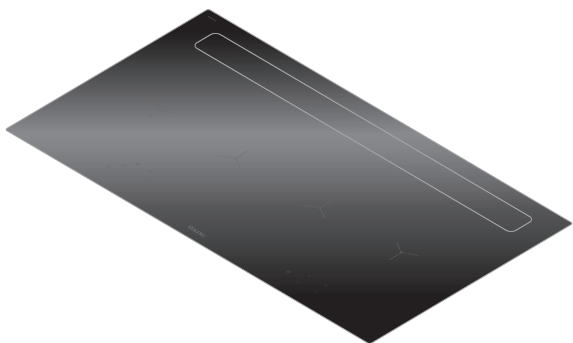


V I K I N G

R V L



Installation Guide

RVL - 36" or 48" Panorama Cooktop &
Downdraft Black Glass

MVIDC6364BBG | MVIDC6485BBG

CONTENTS



General information	4
Safety	4
Important before mounting	5
36" Panorama Cooktop & Downdraft Installation	6
Parts and Accessories	.6
Cabinetry Dimensions	.8
Surface Mounting	8
Flush Mounting	9
If Cabinet Cavity is Smaller than 30" (762mm).	10
Ensuring Product is Level with Countertop.	11
Preparing the appliance	12
Installing Vertical Bend	13
Installing Downdraft	14
Fine Tuning Installation	18
Installing Cooktop	19
Secure Cooktop to Downdraft.	20
Fine Tune Height of Downdraft Compared to Cooktop	21
Electrical Connections	22
Wiring / Power	22
Downdraft Exhaust Options	23
Duct Adapter & Extensions	23
Two installation options are available:	23
Recirculation option	23
Exhaust to Exterior Option	26
Installation - Finishing Steps	27
36" Monoblock Recirculation Filter Box (CF36IDC)	31
Safety information	31
36" Recirculation Installation for MVIDC6364B	32
Parts and Accessories	.32
Duct Adapter & Extensions	.32
Dimensions	.33
Positioning of the Connection Opening	.34
Center, Rear Side Install	.34
Cabinetry Modification	.35
Finishing Install Steps	.36
Finishing Connections	.36

48” Panorama Cooktop & Downdraft Installation37
Parts and Accessories	37
Cabinetry Dimensions	39
Surface Mounting	39
Flush Mounting	40
If Cabinet Cavity is Smaller than 30” (762mm).	41
Ensuring Product is Level with Countertop.	41
Preparing the appliance	42
Installing Vertical Bends	43
Installing Downdraft	44
Fine Tuning Installation	48
Installing Cooktop	49
Secure Cooktop to Downdraft.	50
Fine Tune Height of Downdraft Compared to Cooktop	51
Electrical Connections	52
Wiring / Power	52
Downdraft Exhaust Options.	53
Duct Adapter & Extensions.	53
Two installation options are available:	53
Recirculation option.	53
Exhaust to Exterior Option	56
Installation - Finishing Steps	57
48” Monoblock Recirculation Filter Box (CF48IDC).61
Safety information	61
48” Recirculation Installation for MVIDC6485B	62
Parts and Accessories	62
Duct Adapter & Extensions.	62
Dimensions	63
Cabinetry Modification	64
Finishing Install Steps.	64
Finishing Connections	66
Service Information67

GENERAL INFORMATION

These are the mounting instructions for the Viking RVL - 36" or 48" Panorama Cooktop & Downdraft. The user guide is a separate booklet that is supplied with the downdraft. Carefully read these instructions before installing and using the downdraft.

These symbols are used in these mounting instructions. The meanings of these symbols are given below.

Symbol	Meaning	Action
	Indicator	Explanation of an indicator on the appliance.
	Information / Warning	This symbol indicates an important tip or a dangerous situation.

Follow these instructions to avoid injury and material damage.

SAFETY

Observe the following mounting and safety tips for mounting:

- The installation and electrical connection of the unit shall be carried out by an authorized expert.
- The manufacturer does not accept any responsibility for any damage resulting from faulty installation or connection.
- Check if all mounting materials have been supplied using the drawings on page:
 - 6 : Viking 36" Panorama with 4 cooking zones
 - 37 : Viking 48" Panorama with 5 cooking zones
- The unit is intended for household use only (preparation of food) excluding any other domestic, commercial or industrial use.
- Safety can only be guaranteed if the unit is connected to an earth wire in accordance with the required regulations.
- Do not use an extension cord for connecting to the electricity grid.
- Replace defective or damaged parts only with original Viking parts.

IMPORTANT BEFORE MOUNTING

Pages 8-10 (Viking 36" Panorama with 4 cooking zones) and pages 40-42 (Viking 48" Panorama with 5 cooking zones) show the necessary cabinetry dimensions to ensure proper mounting of the appliance.

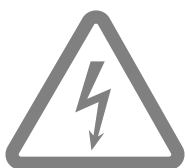
Observe the following mounting tips before starting the mounting activities:

- For easier mounting of the downdraft it is recommended to do this with at least 2 persons.
- The countertop and cabinetry into which the unit is to be mounted has correct dimensions.

36" PANORAMA COOKTOP & DOWNDRAFT INSTALLATION

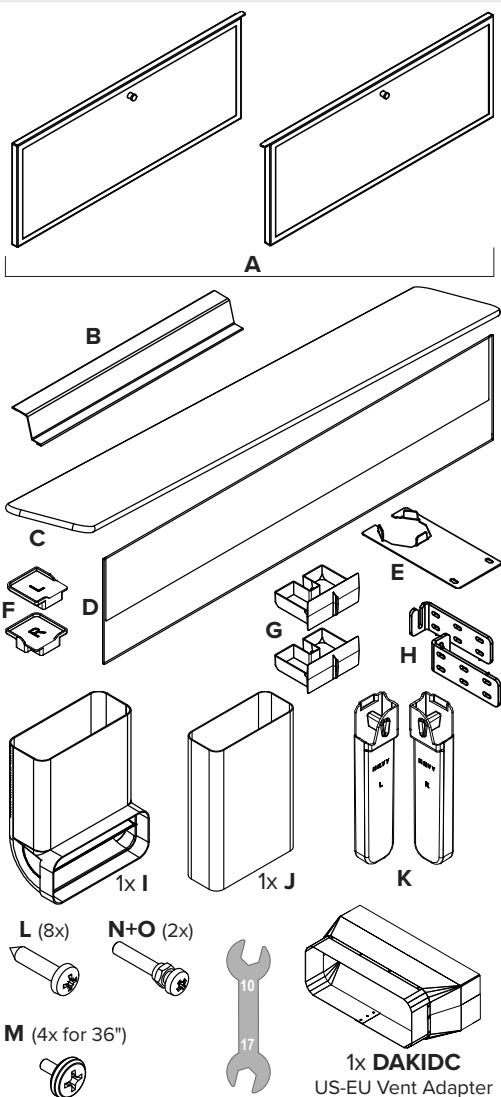
Parts and Accessories

1

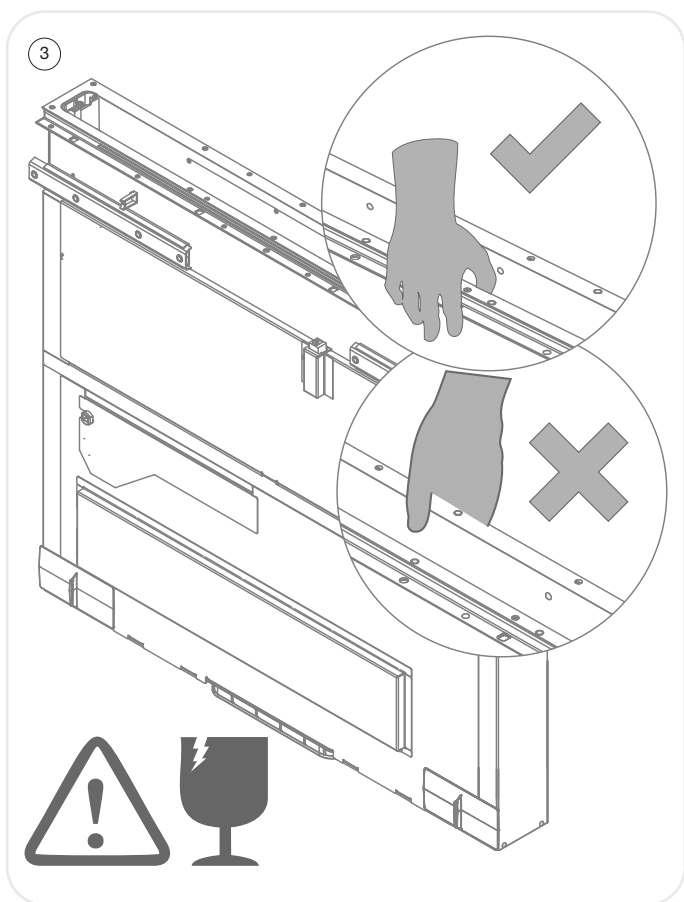



Make sure that the power circuit to which the unit is connected is switched off.

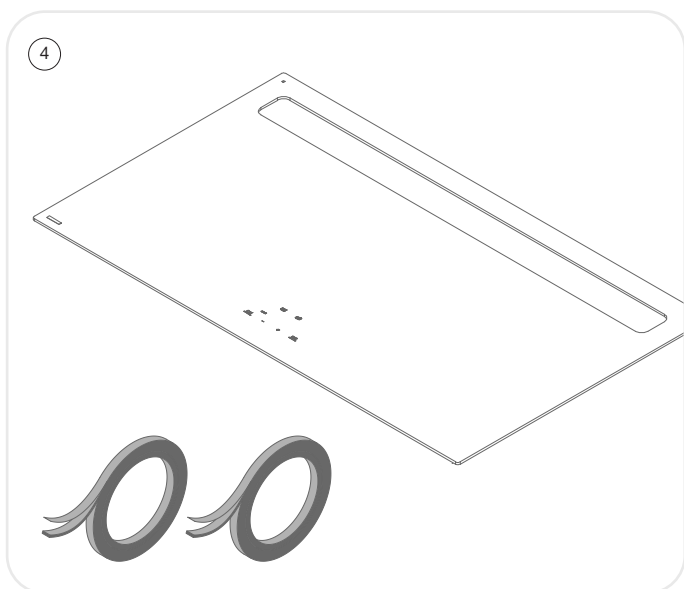
2



Check that all the downdraft accessories are present in the packaging.



 **Warning: pick up the downdraft only at the front side to prevent damage to the glass of the downdraft.**

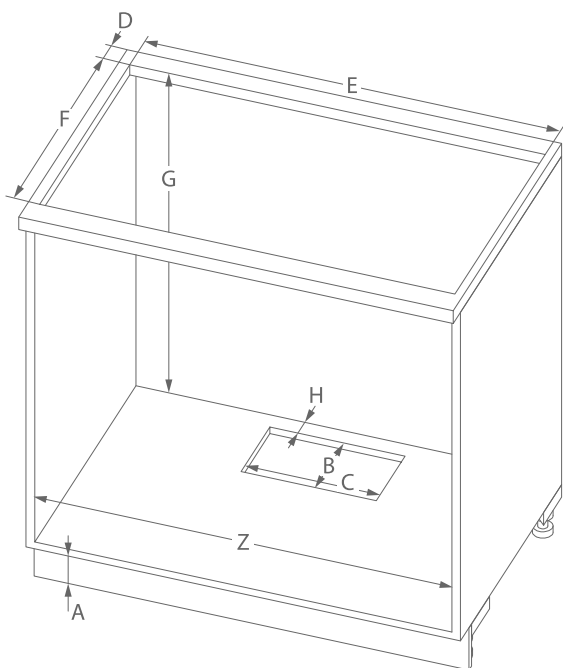


Cabinetry Dimensions

Surface Mounting

Surface mounting with internal height (G) ≥ 30 " (≥ 762 mm): Make one cut-out in the bottom of the cabinet.

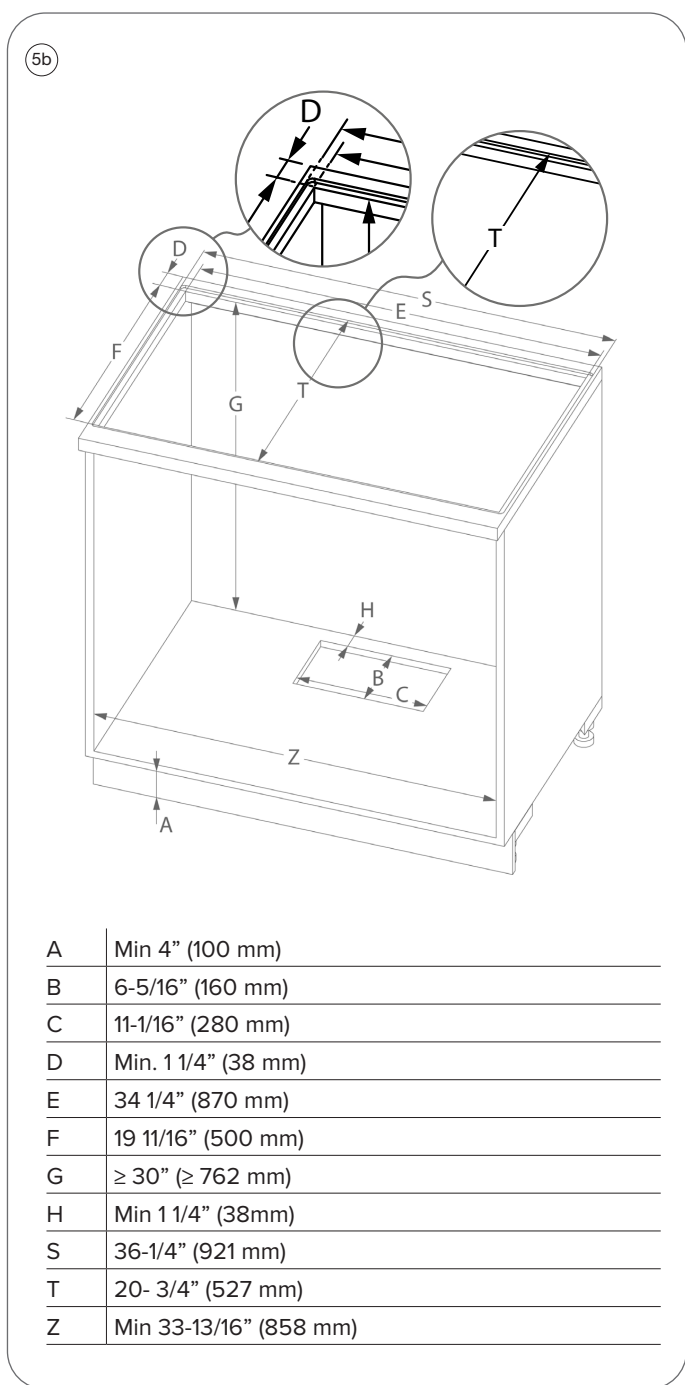
5a



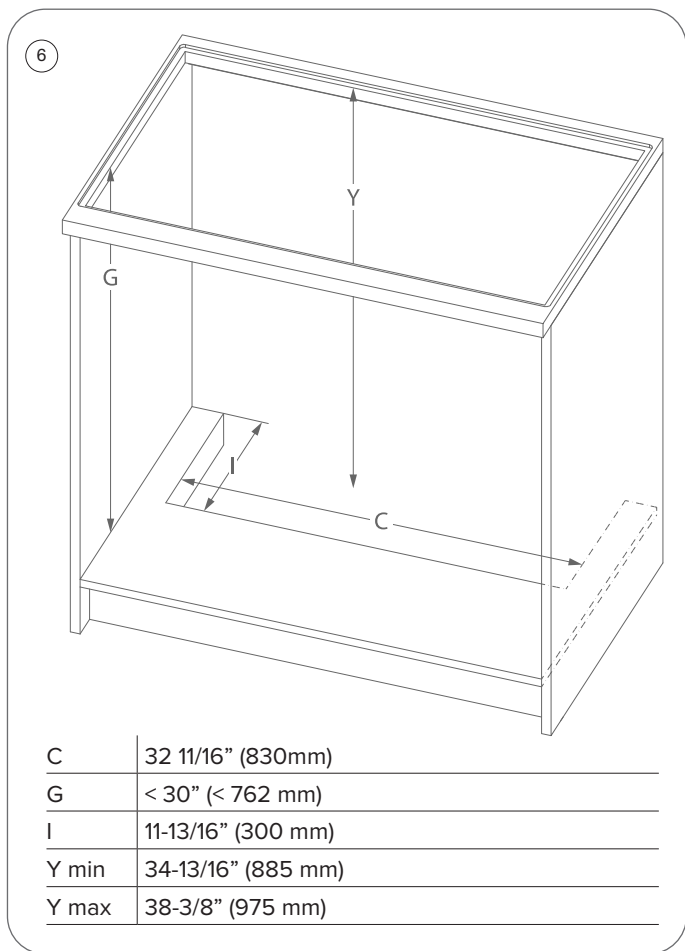
A	Min 4" (100 mm)
B	6-5/16" (160 mm)
C	11-1/16" (280 mm)
D	Min. 1 1/4" (38 mm)
E	34 1/4" (870 mm)
F	19 11/16" (500 mm)
G	≥ 30 " (≥ 762 mm)
H	Min 1 1/4" (38mm)
Z	Min 33-13/16" (858 mm)

Flush Mounting

Flush mounting with internal height (G) ≥ 30 "
(≥ 762 mm): Make one cut-out in the bottom of the cabinet.



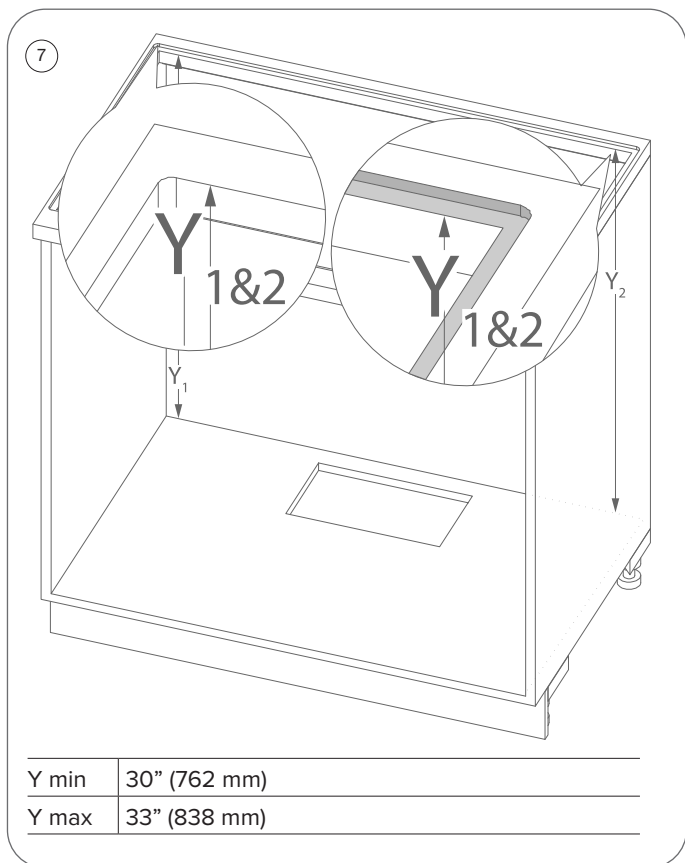
If Cabinet Cavity is Smaller than 30" (762mm)



When cabinet height + countertop is < 30" (< 762 mm), a cut-out is needed in the bottom of the cabinet to install the downdraft.

To install the downdraft, a leveling feet extension kit can be used. Follow the steps described in the corresponding installation manual of the leveling feet extension kit and then continue installation with step 8.

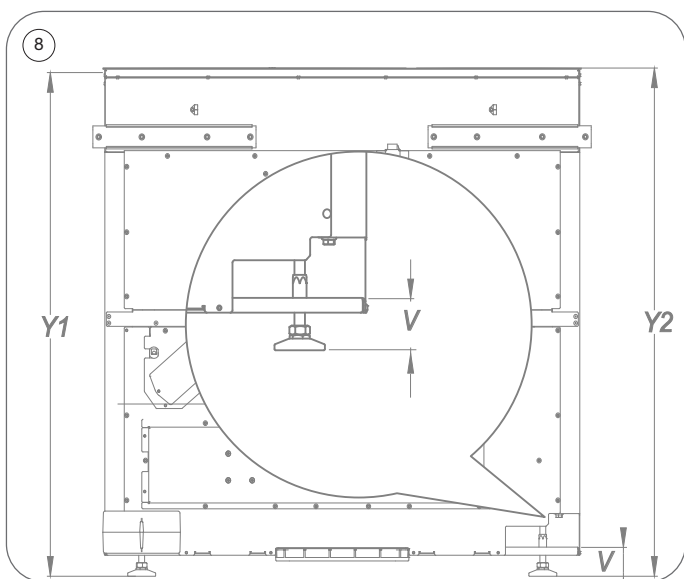
Ensuring Product is Level with Countertop



Measure the height left (Y1) and right (Y2) from the cooktop base plate to the supporting surface.

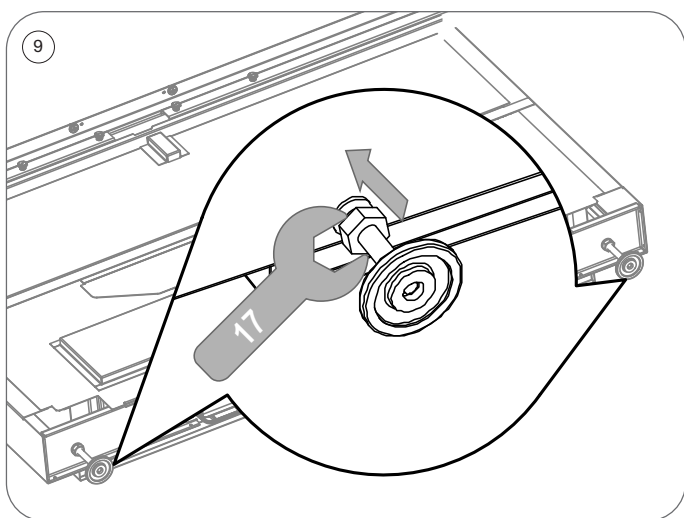
- **Surface mount (Left bubble)** = Top worktop surface.
- **Flush mount supporting (Right bubble)** = Milled edge in countertop.

Preparing the appliance



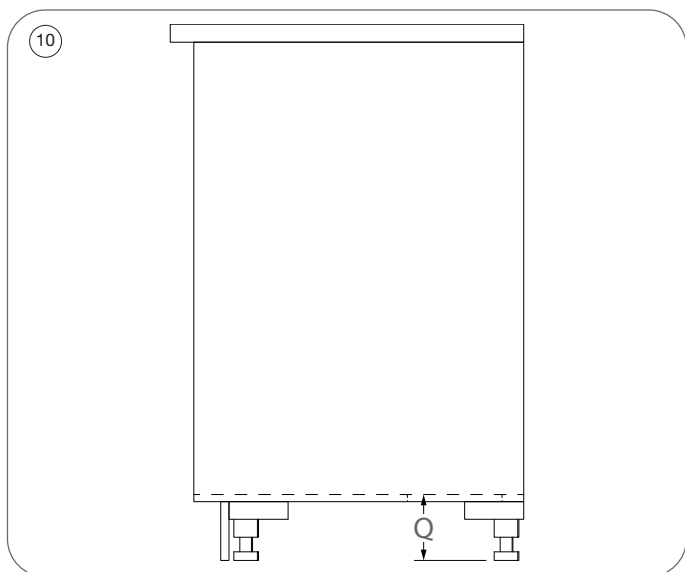
Set the height (Y) with the leveling feet, measure from the top surface of the downdraft to the underside of the leveling feet.

Measure the height (V) from the underside of the downdraft to the underside of the leveling feet (needed for vertical bend).

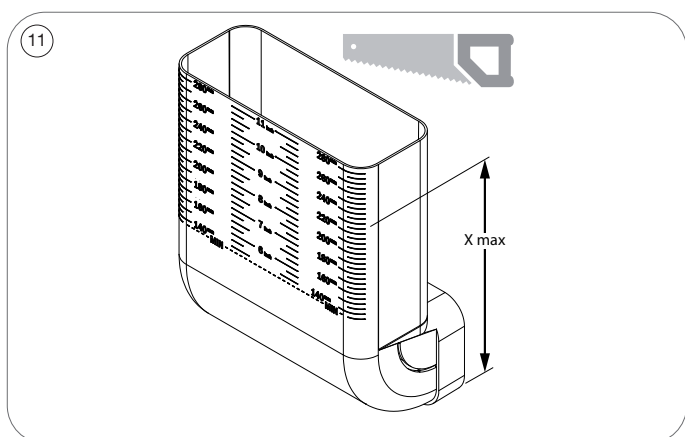


Secure the leveling feet with the wrench 17.

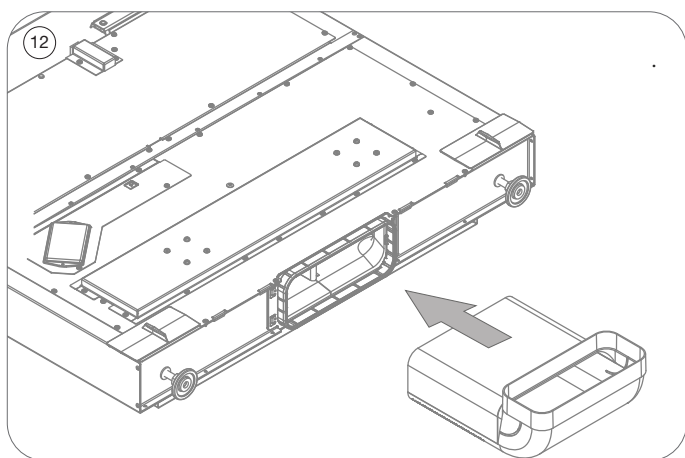
Installing Vertical Bend



Measure the height (Q) from the base plate to the ground position.

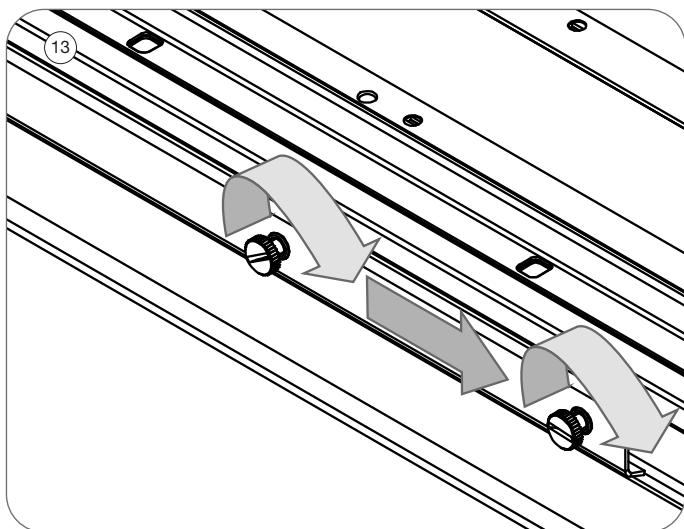


Cut the vertical bends (Part-I) to size $X = (V+Q) - 3/16"$ (5 mm).

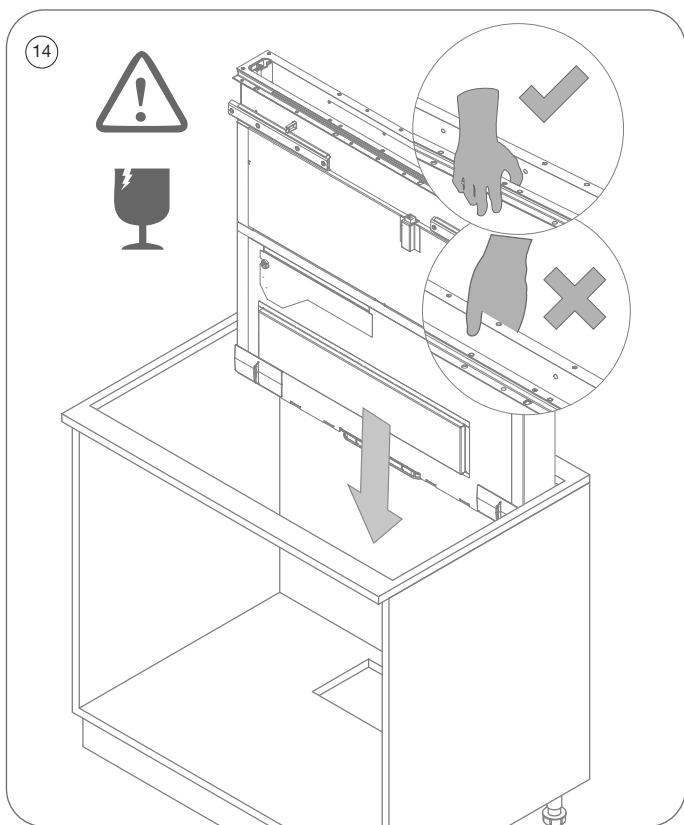


Slide the vertical bends into the outlet piece below the downdraft.

Installing Downdraft



Make sure that the downdraft guides are fully inward and secure this position.



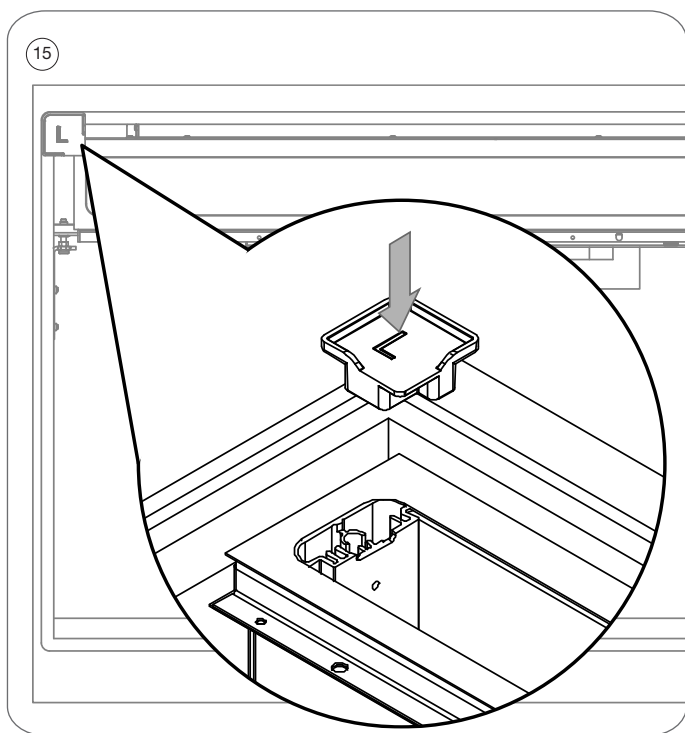
Lift the downdraft through the work top cut-out in the housing.



Warning: hold the downdraft only at the outside to prevent the glass breaking.

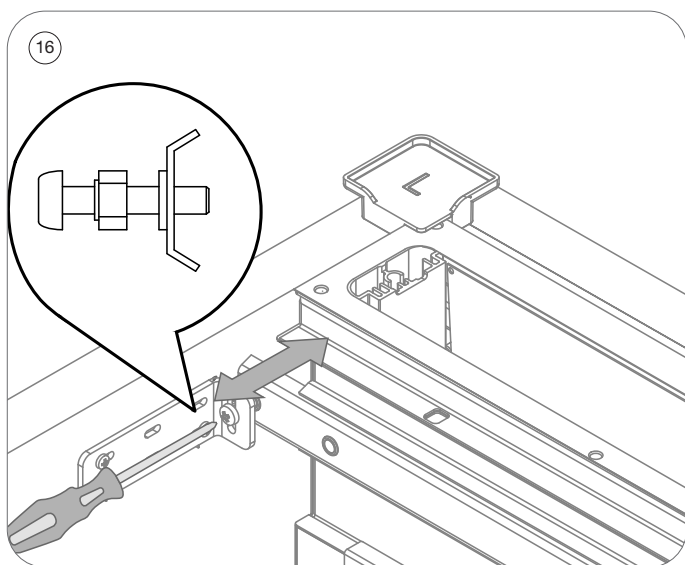


Warning: this activity is best done by 2 people.

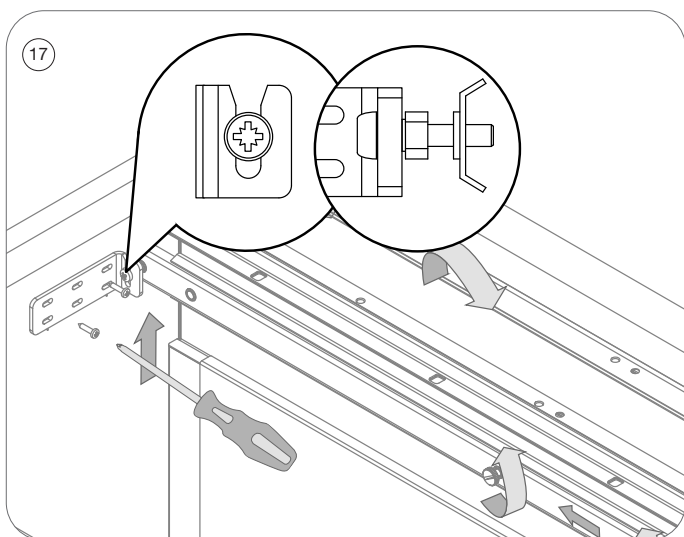


Place the positioning guides (Part-F) between the worktop cut-out and the downdraft.

Position the side and rear edge of the downdraft against these two guides.



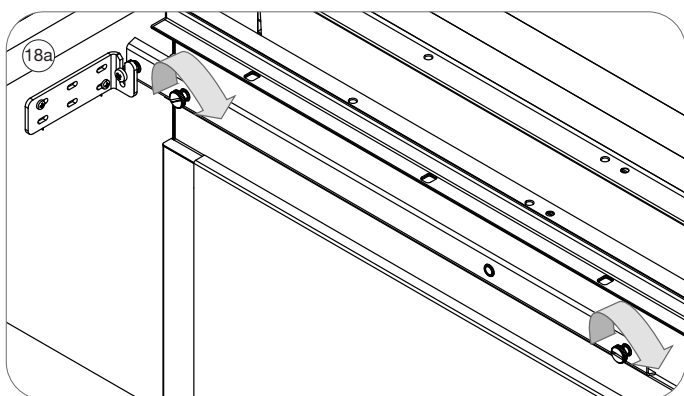
Set the adjusting bolts (the bolt and the lock nut Parts N + O) to the center of its range to make fine adjustment of the downdraft possible later.



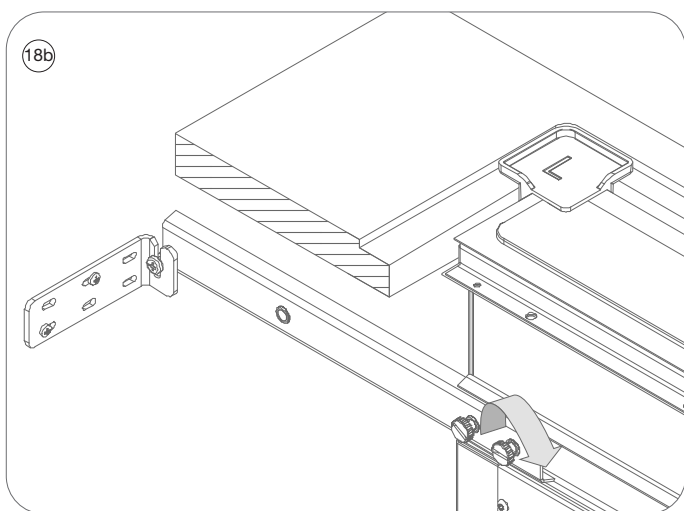
Slide the downdraft guides fully against the side wall of the housing.

Slide the mounting brackets (Part-H) between the bolt and the lock nut (Parts-N+O) of the guide until they are in the center of the groove.

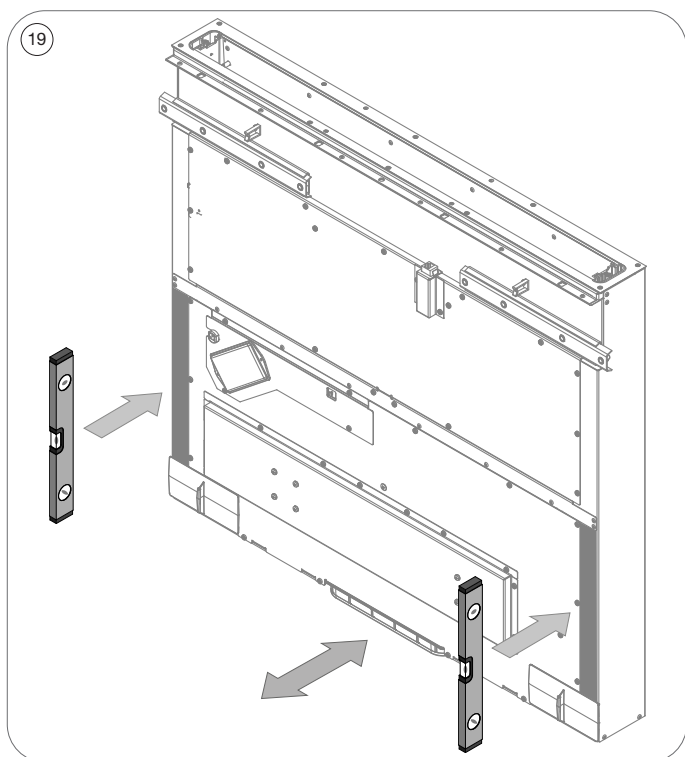
Secure this position with the screws supplied (Part-L). Perform this action on both the left and right.



36"-40" Cabinet: Secure the position of the guides.

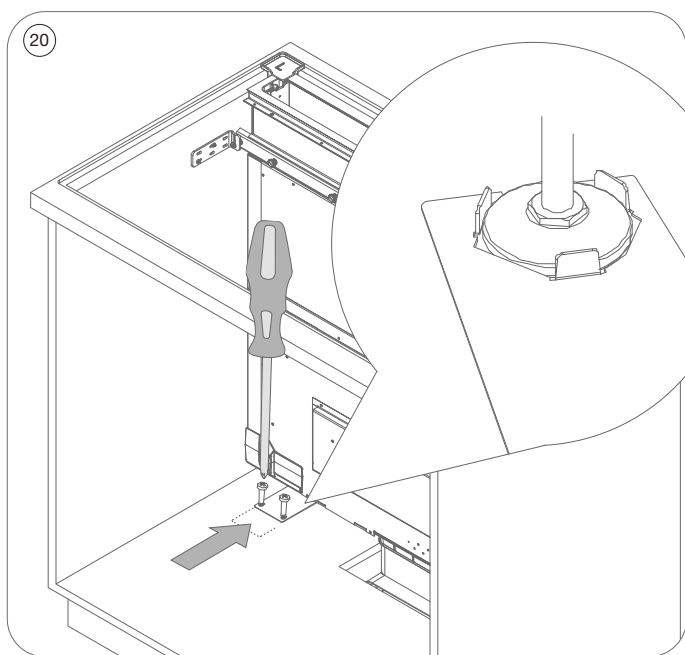


48" Cabinet: Move the screws to the outermost position and secure the position of the guides.



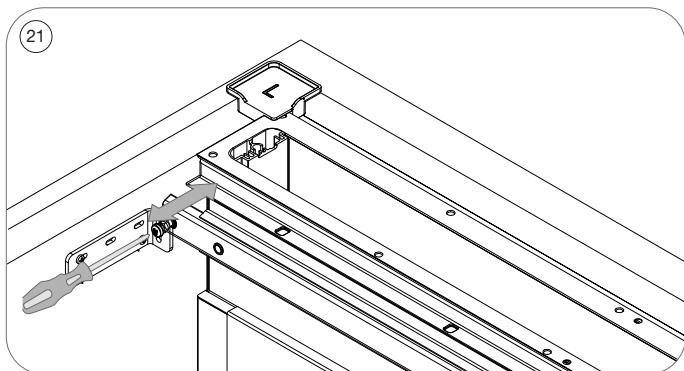
Level the downdraft at both the left and right by moving it forwards or backwards at the bottom.

Use a short spirit level $\leq 12''$ (≤ 30.5 cm) and place this on the marked places.



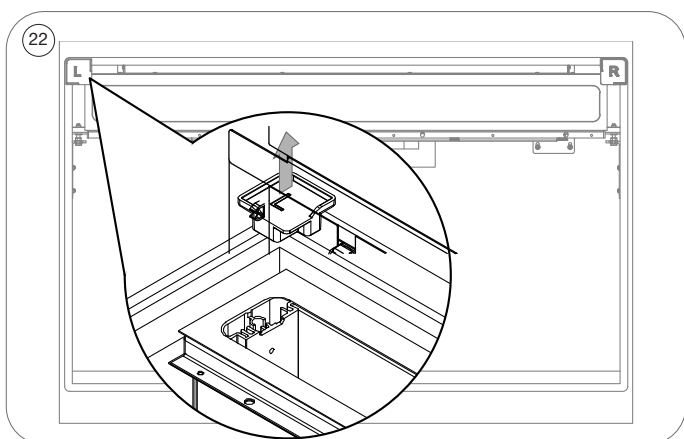
Secure the position of both leveling feet in the housing with the plates (Part-E) and screws (Part-L).

Fine Tuning Installation

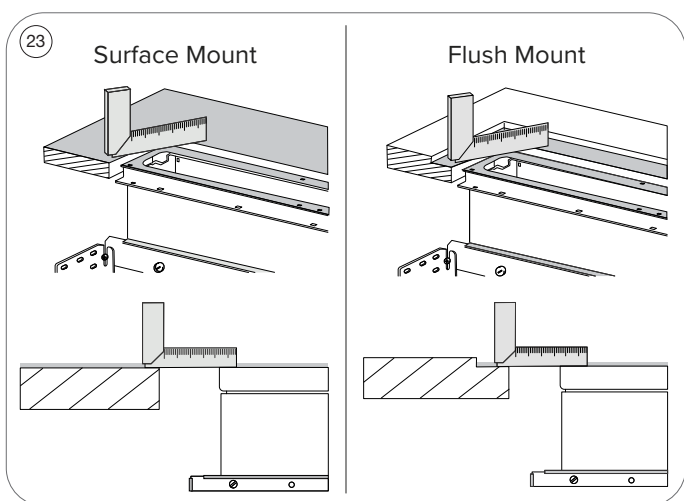


Adjust the position as necessary with the adjusting bolts on the guides.

The positioning guides (Part-F) must be positioned with minimal clearance between the worktop cut-out and the downdraft.



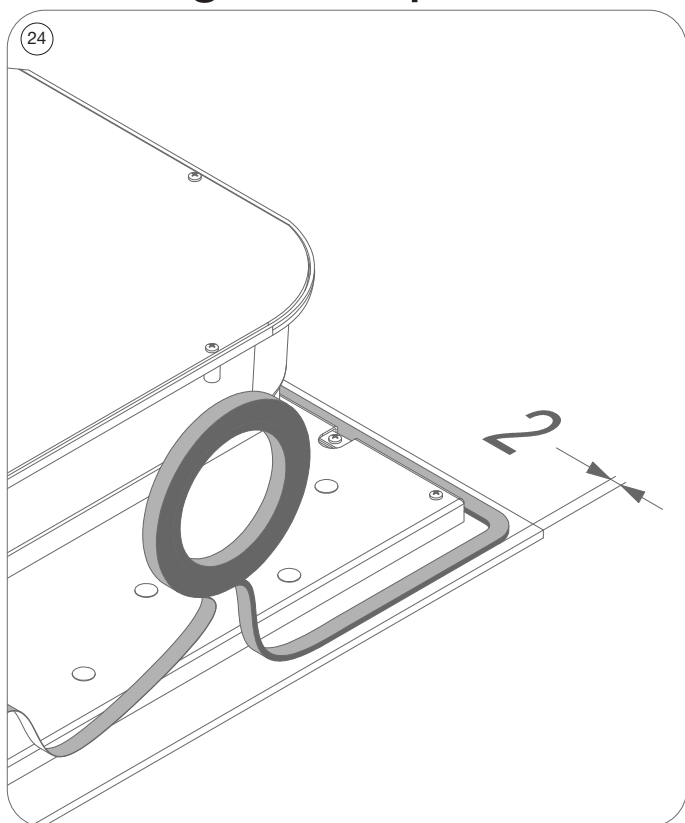
Remove the positioning guides (Part-F).



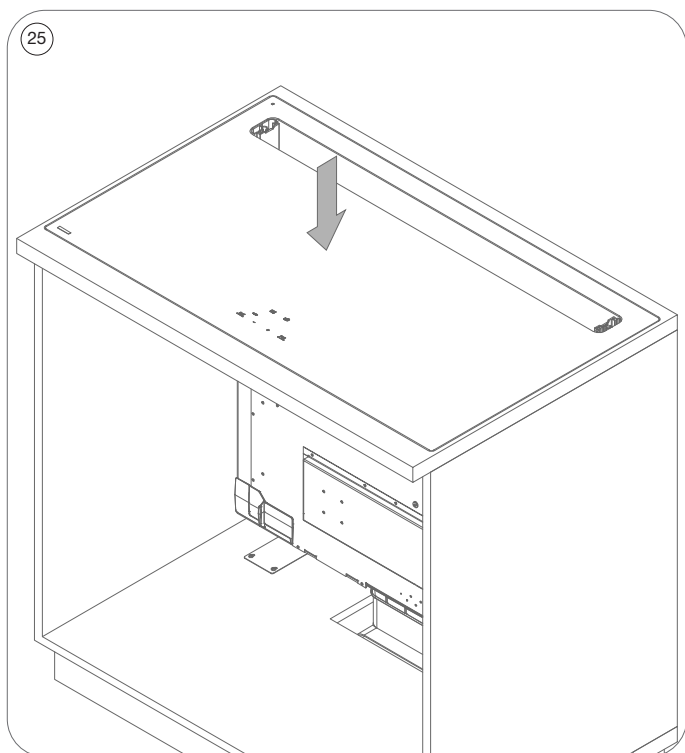
Warning: Carry out the following action carefully to avoid glass damage.

Check the height of the cooker downdraft with a ruler, it **MUST** be leveled with the worktop (surface mount) or milled edge (flush mount). Adjust if necessary with the leveling feet.

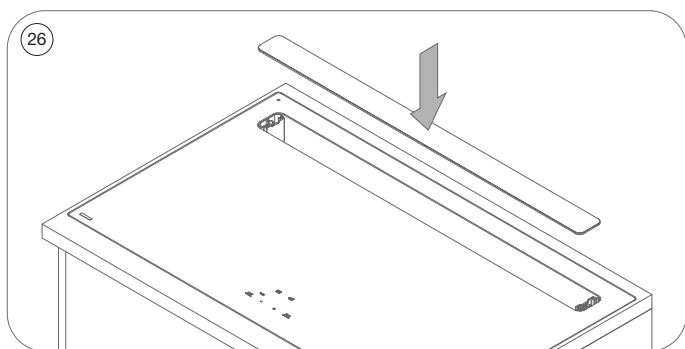
Installing Cooktop



Apply the waterproof tape 1/16" (2mm) from the rim to the underside of the cooktop glass.



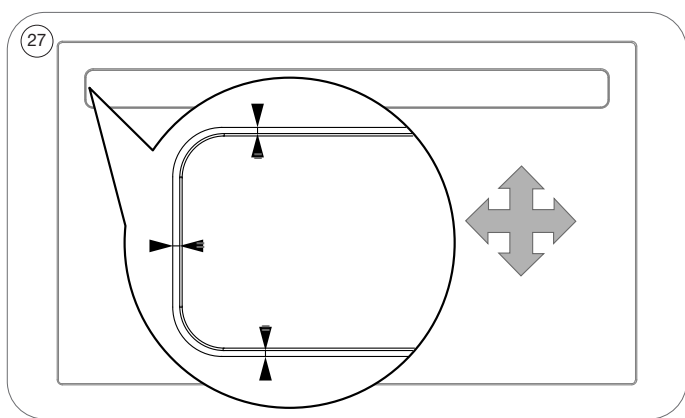
Place the induction cooktop on the downdraft. Make sure the edge of the cut-out in the induction cooktop glass is aligned with the side profiles of the tower.



Carefully place the downdraft glass cap (Part-C) with the pins in the cut-outs provided in the downdraft.



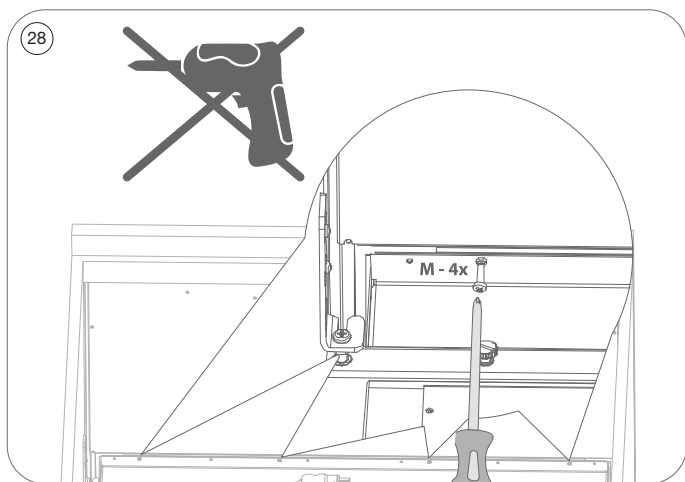
Perform the above action carefully to prevent glass damage and scratches.



Surface mounting: Adjust the position of the induction cooktop until the spacing around the tower top glass and cut-out is even.

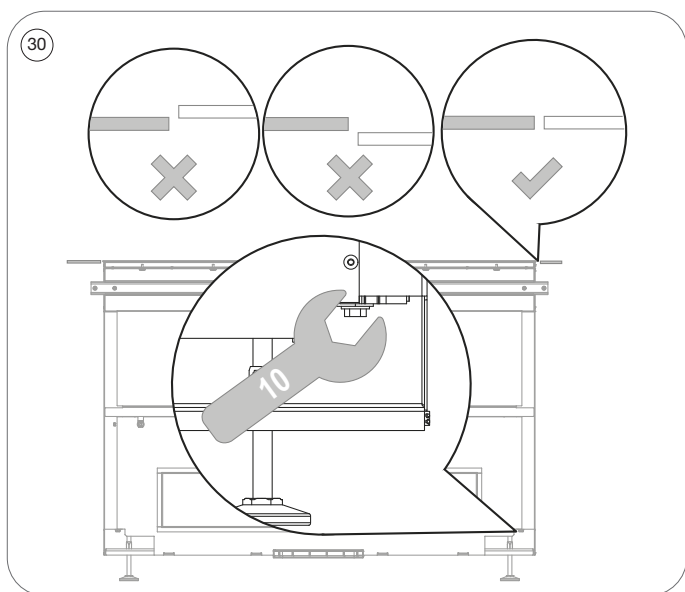
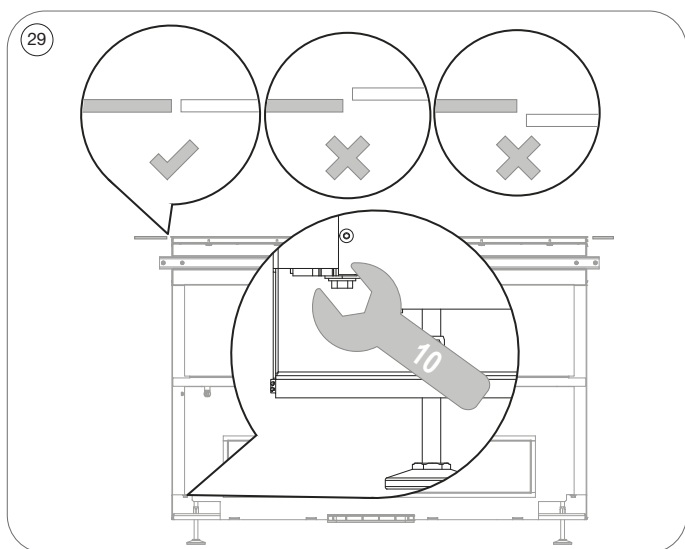
Flush mounting: Adjust the position (front, back, left and right) of the cooker downdraft until the spacing around the downdraft tower glass cap and the cut-out is even.
(STEP 18, 21)

Secure Cooktop to Downdraft



Secure the position of the cooktop on the downdraft with the Part-M screws (4x for 36"). Tighten these bolts only finger tight, do not use a hand-held screwdriver.

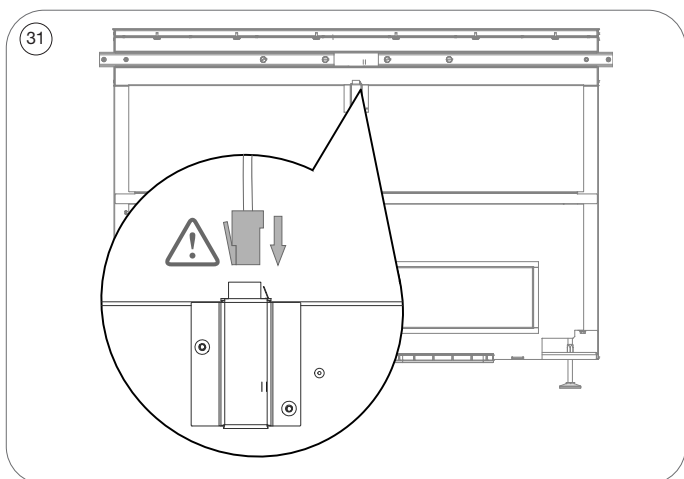
Fine Tune Height of Downdraft Compared to Cooktop



Adjust as necessary the height of the downdraft tower with respect to the top of the cooktop.

Turn the bolt with a wrench 10 counter-clockwise to raise the tower and clockwise to lower it.

Electrical Connections

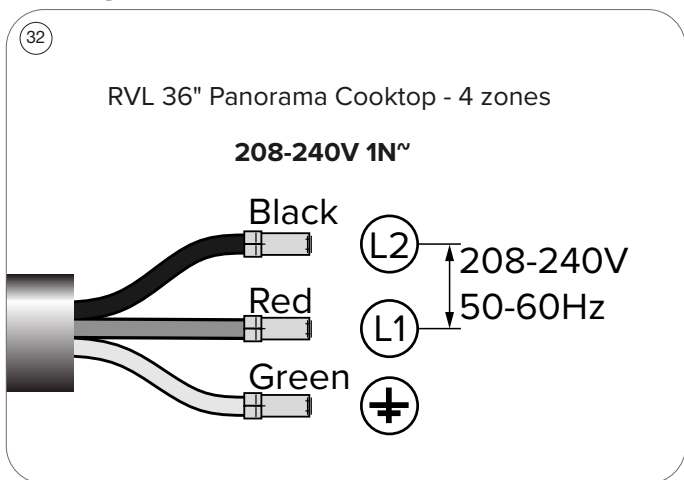


Connect first the cooktop cable connector to the downdraft.



Warning: Ensure correct connector orientation before connecting, to prevent damage.

Wiring / Power



Downdraft: Connect the plug to the house power supply.

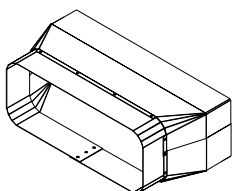
Cooktop: Connect the cooktop's power cable according to the above connection diagram.

Downdraft Exhaust Options

Duct Adapter & Extensions

The duct adapter is used when the Recirculation filter box cannot be placed in the same cabinet as the Panorama downdraft unit, or when venting to the exterior using American-sized ducting.

- One DAKIDC adapter is included with the Viking 36" Panorama model.
- Additional DAKIDC adapters are available separately (in case of recirculation option 2 or 3).
- American-sized ducting (size: 3¼" x 10", gauge 24) can be sourced from local hardware stores.



DAKIDC
EU-US Viking Duct
Adapter Kit for Panorama

Two installation options are available:

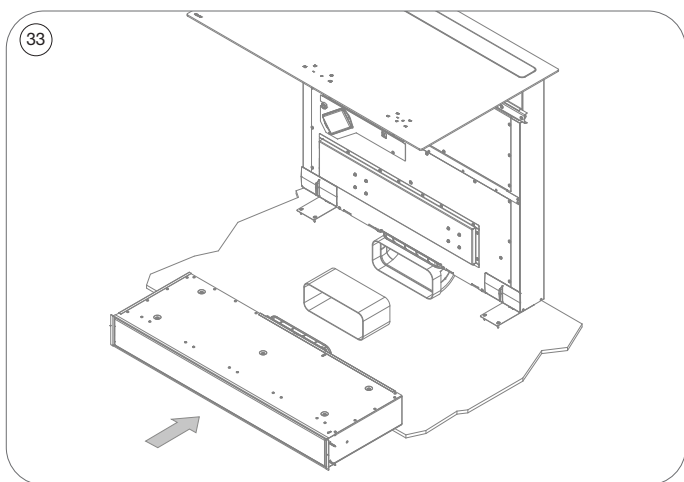
- **Recirculation Option** – Air is filtered and recirculated back into the kitchen.
- **Exhaust to Exterior Option** – The air is vented directly to the outside.

Recirculation option

Option 1 – Recirculation Filter Box in the Same Cabinet

The Recirculation filter box is installed inside the same cabinet as the downdraft unit.

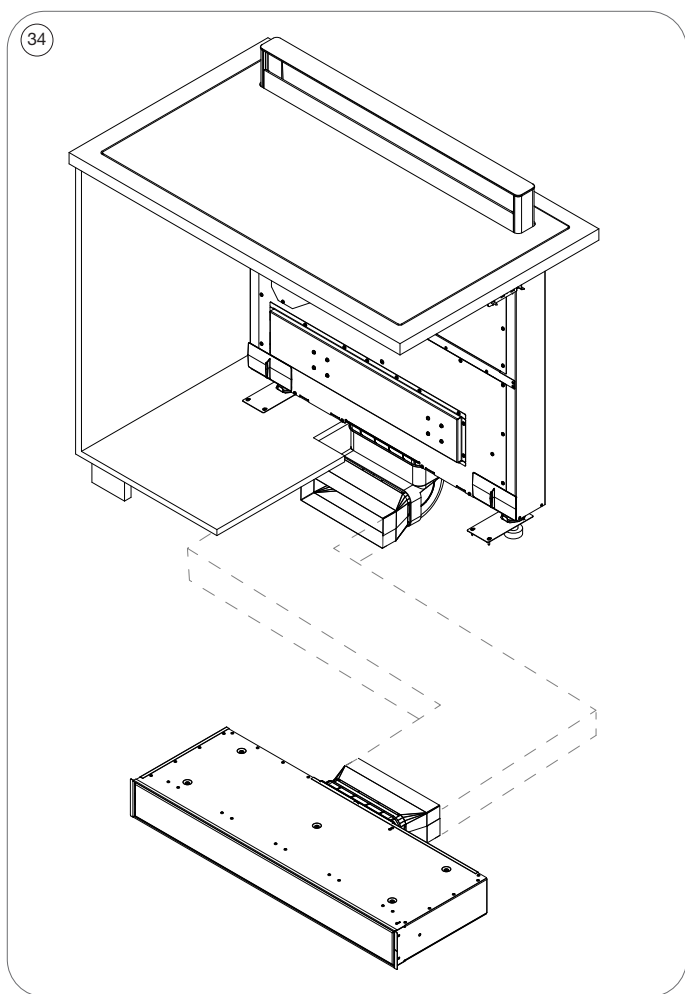
- Connect it to the downdraft outlet using the supplied white duct sections.
- Ensure all connections are airtight and securely sealed.



Option 2 – Recirculation Filter Box in an Adjacent Cabinet

The Recirculation filter box is installed in a cabinet adjacent to the downdraft unit.

- This setup requires DAKIDC adapters at both ends of the duct run — one at the downdraft outlet and one at the Recirculation filter box.
- Continue the duct run using locally sourced American-sized ducting (size: 3¼" x 10", gauge 24).
- Ensure all connections are airtight and securely sealed.

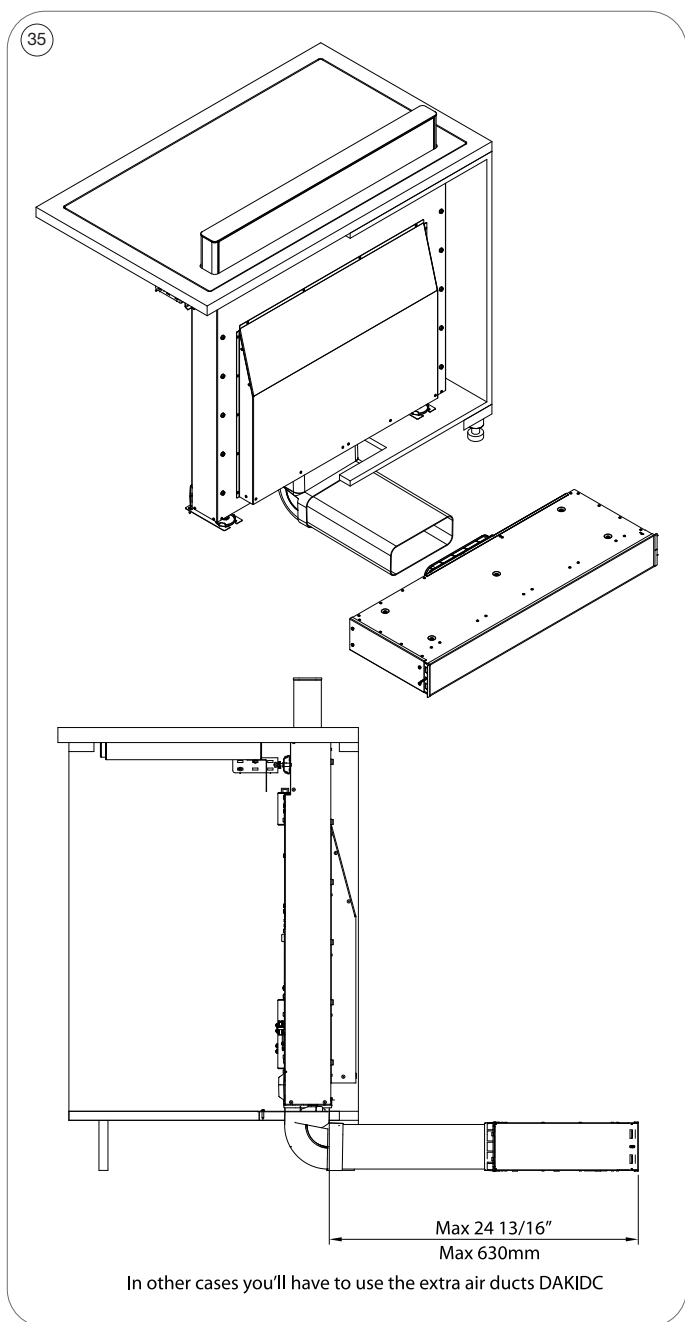


Option 3 – Recirculation Filter Box in a Rear Cabinet

The Recirculation filter box is installed in a separate cabinet behind the downdraft unit.

If the distance from the downdraft outlet bend to the front of the Recirculation filter box is $\leq 24 \frac{13}{16}$ " (630 mm):

- Use the supplied white duct sections.
- Ensure all connections are airtight and securely sealed.



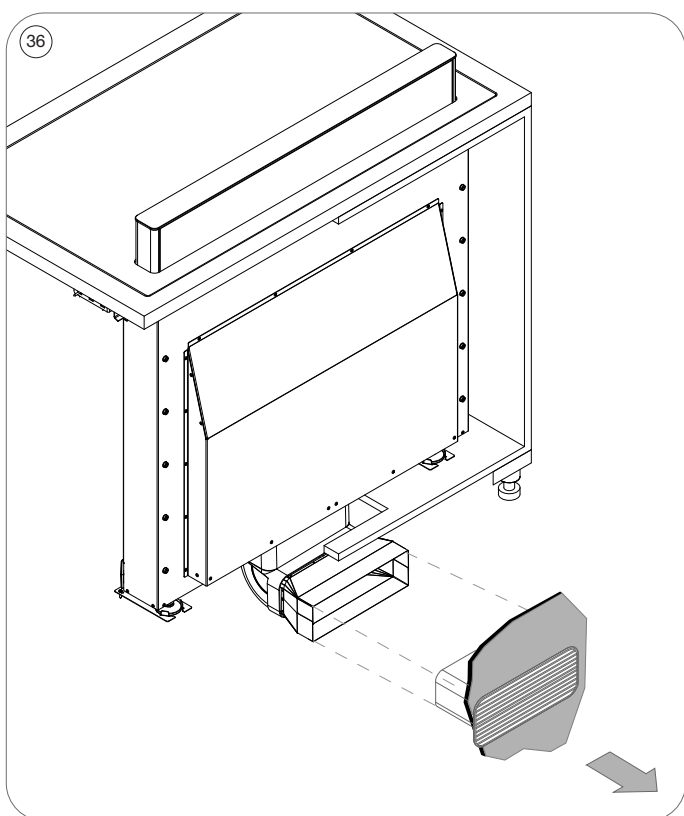
If the distance exceeds $24 \frac{13}{16}$ " (630 mm):

- This setup requires DAKIDC adapters at both ends of the duct run — one at the downdraft outlet and one at the Recirculation filter box (see sample option 2).
- Continue the duct run using locally sourced American-sized ducting (size: $3\frac{1}{4}$ " x 10", gauge 24).
- Ensure all connections are airtight and securely sealed.

Exhaust to Exterior Option

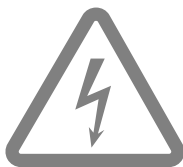
The air is vented directly to the outside.

- Insert the supplied DAKIDC adapter into the bend of the downdraft tower.
- Continue the duct run using locally sourced American-sized ducting (size: 3¼" x 10", gauge 24).
- At the exterior wall, install a suitable wall cap (not included) that matches the duct dimensions, supports the required airflow capacity, and includes a backdraft damper for optimal performance.
- Ensure all connections are airtight and securely sealed.



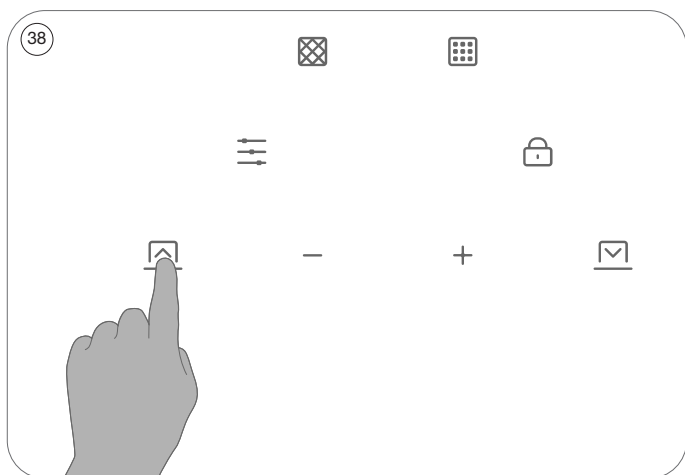
Installation - Finishing Steps

37



Switch the unit power supply circuit on.

38




Keep the  button pressed for 3 seconds.

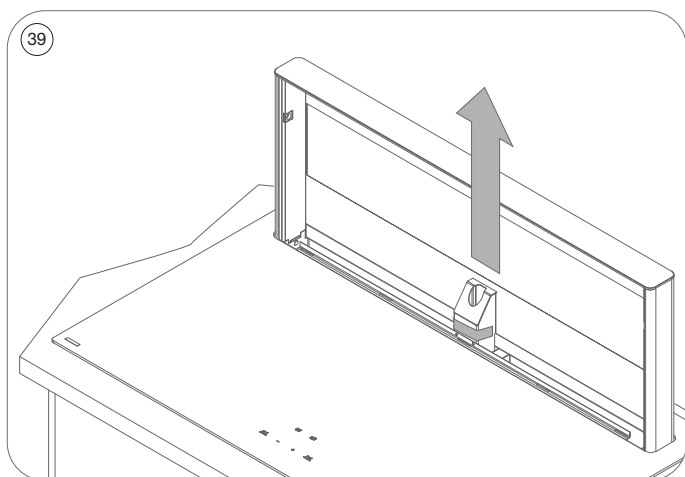


If the 4 LEDs on the control flash directly, the safety system of the tower is activated.

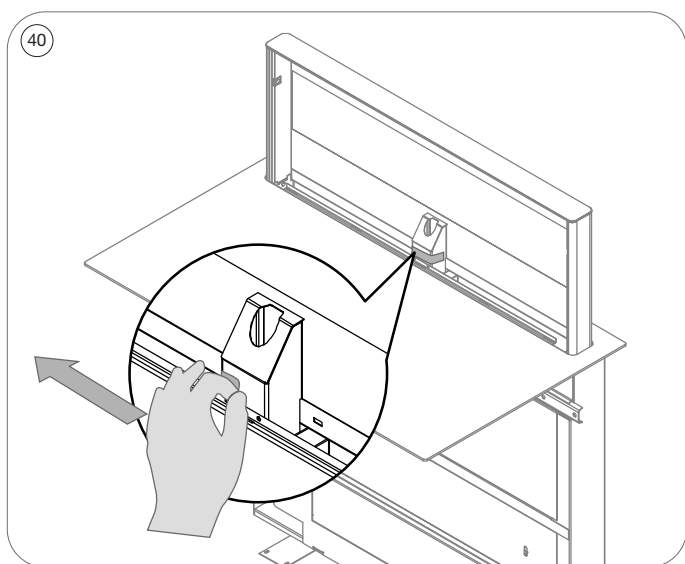
You can manually turn the tower up using a flat screwdriver.

Carefully remove the top glass from the tower and place the screwdriver in the provided recess of the spindle in the center of the tower.

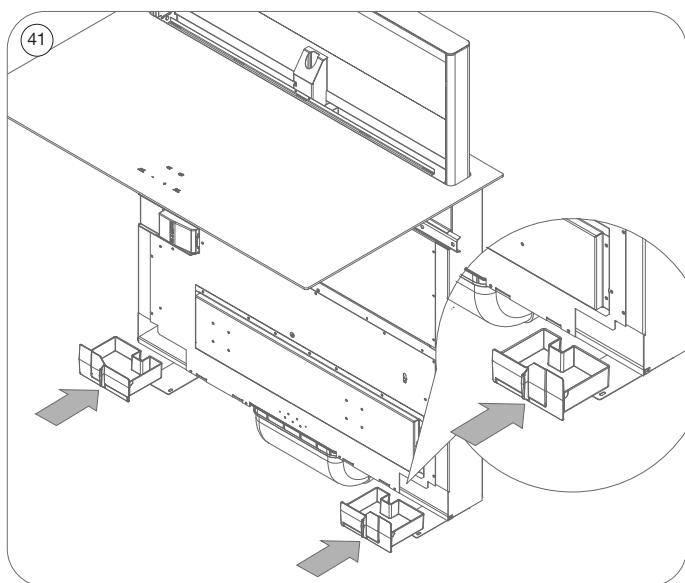
Now turn the tower fully up until the safety switch as in step  is visible.



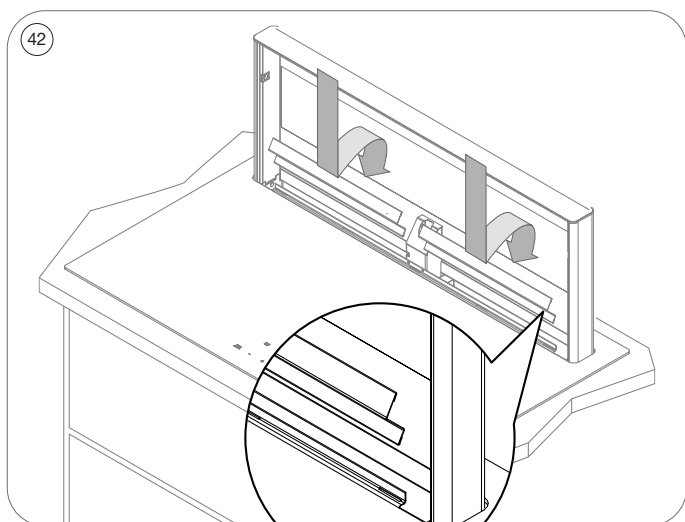
The tower now moves to its highest position: 12" (30 cm).



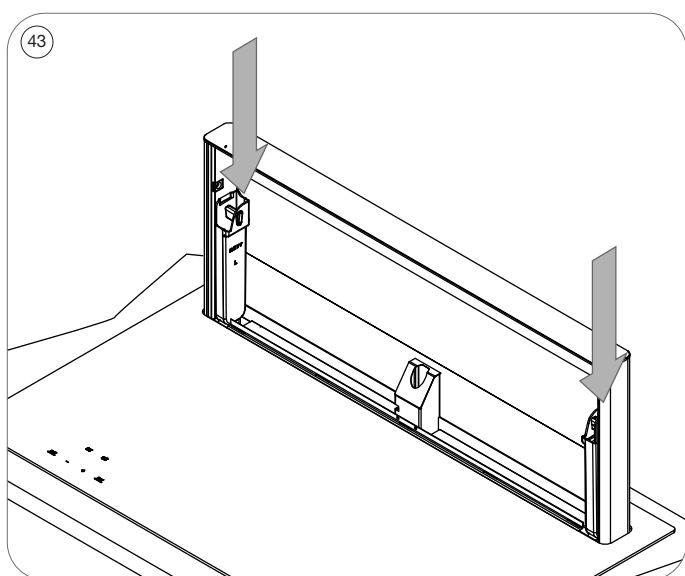
Remove the safety sticker from the tower. The 4 LEDs on the controller flash.



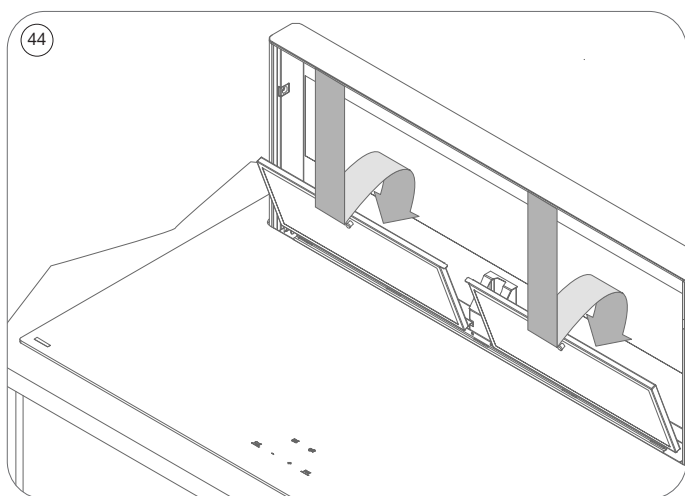
Slide both lower collection trays (Part-G) into the downdraft with the short side facing forward.



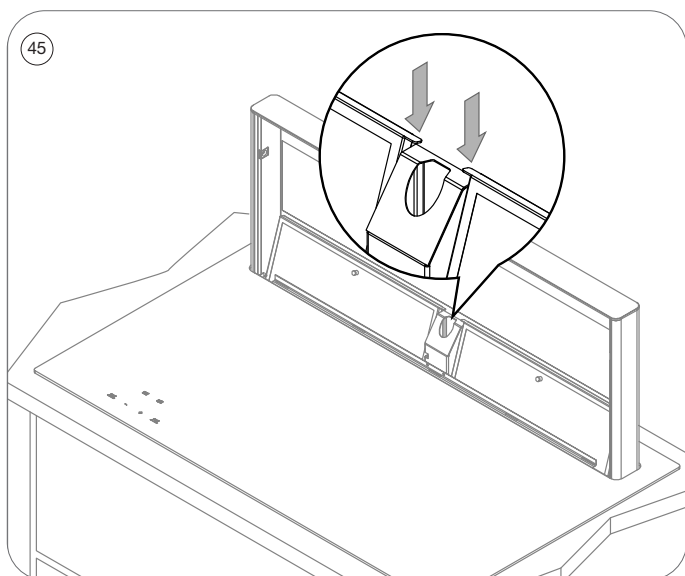
Place the collection security (Part-B) in the downdraft. They should be positioned against the center of the tower.



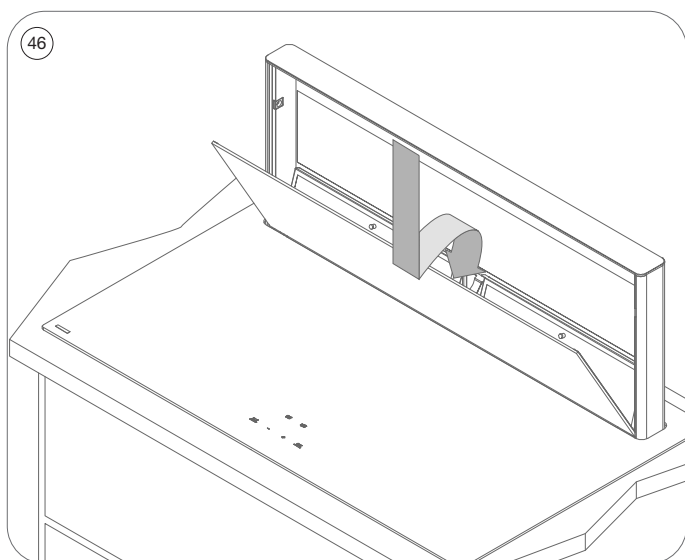
Slide both upper collection trays (Part-K) into the downdraft.



Place both grease filters (Part-A) in the downdraft on the fall protection.



Verify the correct placement of the grease filters using the positioning tab.





Place the front glass (part-D) on the downdraft tower. Position the tabs of the glass in the cut-out in the downdraft tower and tilt the glass toward the magnets until the glass snaps into place.

47 Press the knob to re-initialise the tower.

48 The tower now moves to the closed position.

49 **Recirculation:** Device is set in recirculation mode by default.

Duct out: Set device in duct out mode by pressing the key combination [+] and [-] and  for 3 seconds.

The LED next to  will blink 3x to acknowledge the setting.

Repeat these actions for recirculation mode, the LED will be on for 3 seconds.

36" MONOBLOCK RECIRCULATION FILTER BOX (CF36IDC)

Contemporary, energy-efficient kitchen ventilation: you can't have the first without the latter. Recirculation offers the solution for this. Recirculation extraction hoods do not remove the cooking fumes, but filter the odor and fat out of the air and then blow the filtered air back into the home.

The Viking Monoblock filter box absorbs unpleasant odors and makes the removal of hot air to the outside unnecessary. The basis of the Monoblock filter is an advanced form of activated carbon particles in the shape of minuscule spheres that are bonded to a load-bearing labyrinth structure. Due to the labyrinth structure, the Monoblock filter box has a limited loss of pressure and maintains a maximum efficiency. This results in efficient extraction, excellent odor absorption and a limited noise level.

Safety information

The Recirculation filter box must be used with an extractor hood or downdraft cooktop.



Before programming and using the recirculation mode, read the user manual for your device.



For optimal operation of the Monoblock recirculation filter, it is important to switch on the extractor before cooking and to let it run until it auto turns off. To do this, read the instructions in the user manual for your appliance.



Provide adequate ventilation in the kitchen for optimal efficiency of the recirculation system.

An indicator on the cooker hood or venting hob indicates that the Monoblock recirculation filter needs to be replaced.

The lifetime of this Monoblock recirculation filter is indicated on the label on the filter itself.



New Monoblock filters can be obtained from an authorized Viking dealer, or on the Viking website.

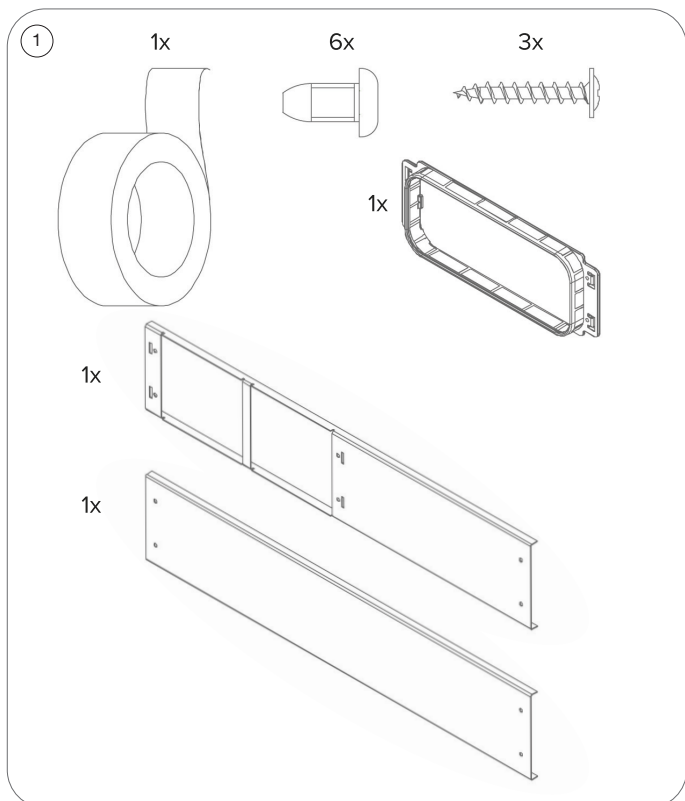
**Monoblock filter model number:
CF36IDC Viking 36" Charcoal Filter for Panorama**



Important: Please read the safety and installation instructions before you start.

36" Recirculation Installation for MVIDC6364B

Parts and Accessories



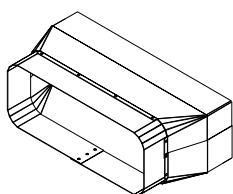
Check that all the materials for installation have been supplied.

The filters are located inside the accessory.

Duct Adapter & Extensions

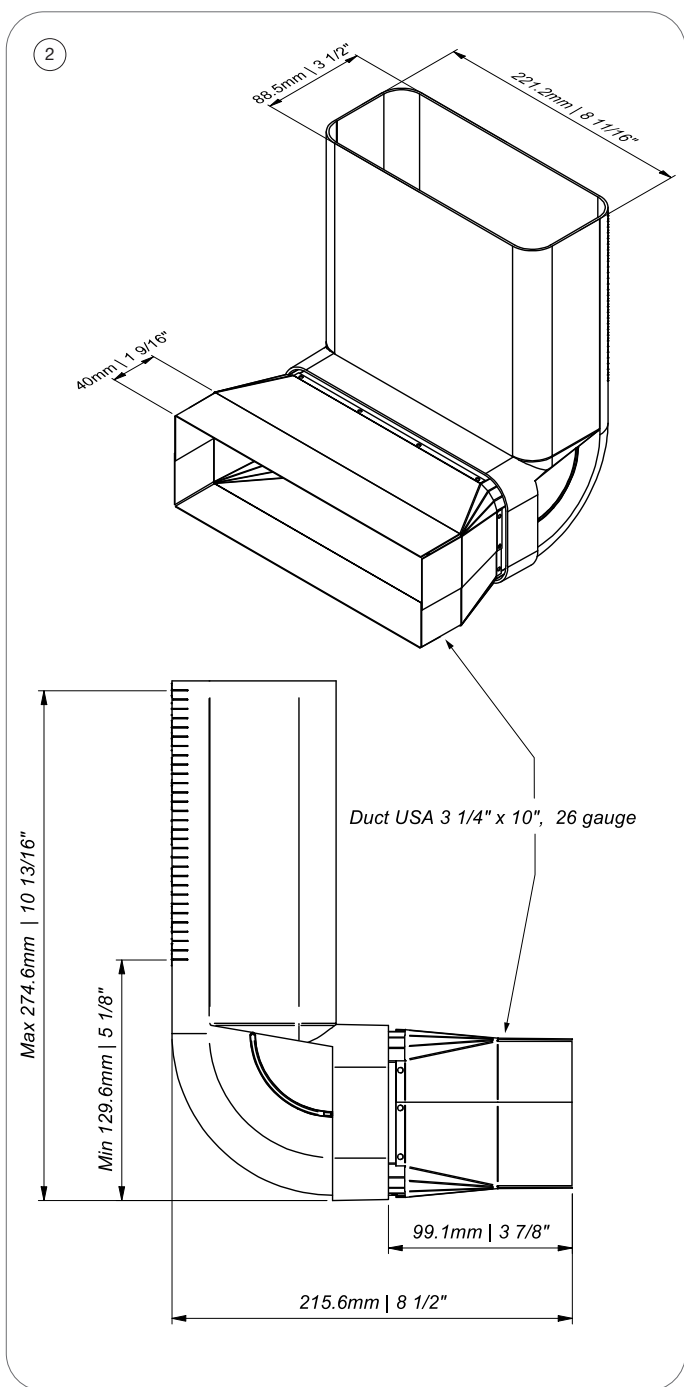
The Duct Adapter and Extensions are used in situations where the Recirculation Filter cannot be installed in the same cabinet as the Panorama, or when exhausting to the exterior, and American-sized ducts need to be used (see pages 24 & 26).

- Additional European to American Duct Adapter (DAKIDC) is sold separately.
- American-sized duct extensions can be bought at a local hardware store.

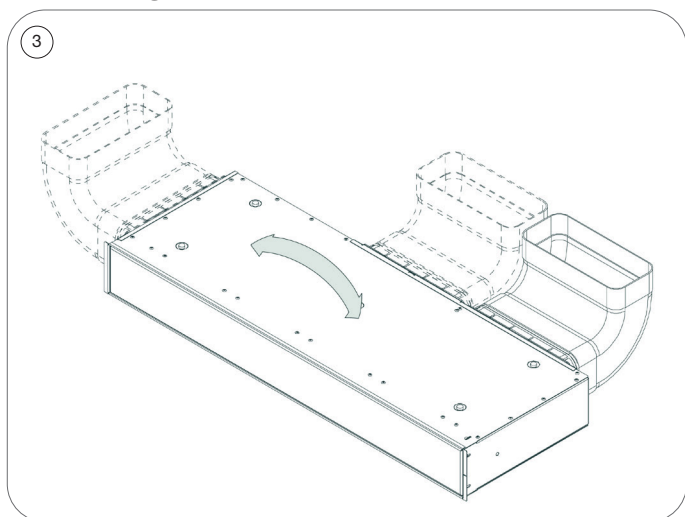


DAKIDC
EU-US Viking Duct
Adapter Kit for Panorama

Dimensions



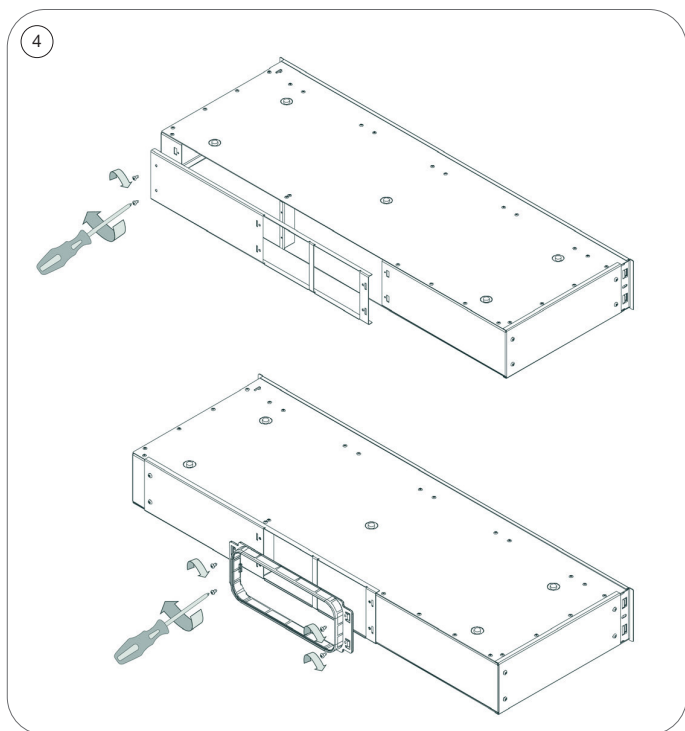
Positioning of the Connection Opening



It is necessary to decide before the installation where the connecting opening of the Recirculation filter box is to be placed, all this depends on the build-in location:

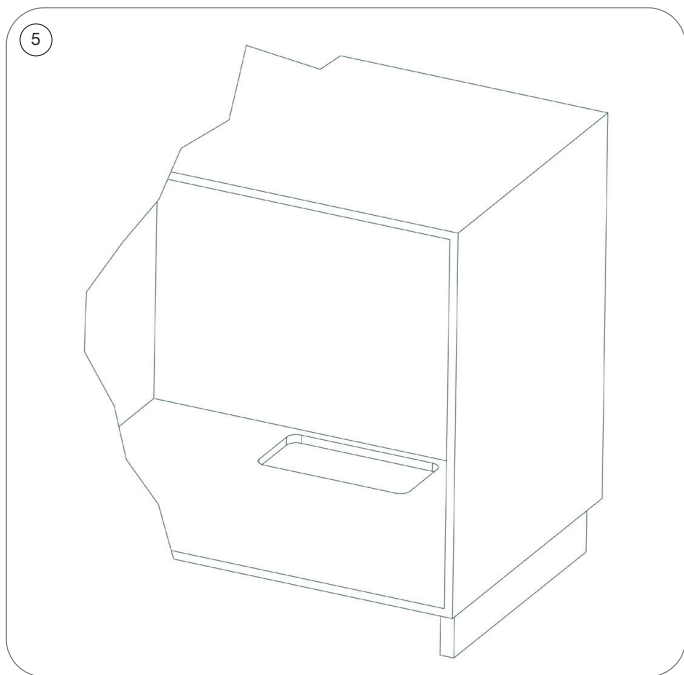
- Center rear side install
- Corner rear side install (standard use for 36")
Panorama
- Side install
- Left/right install by turning the box 180°

Center, Rear Side Install

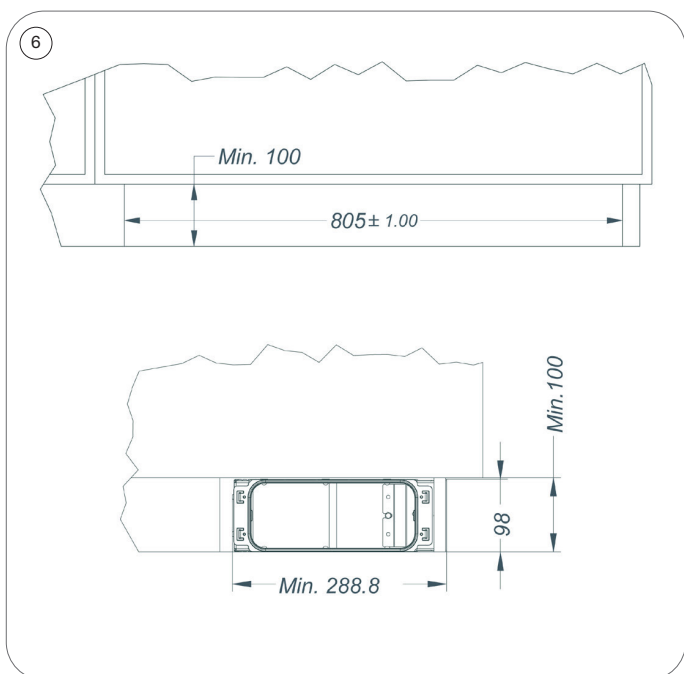


1. Mount the plate at the corner, with slots facing the center.
2. Secure with 4 screws.

Cabinetry Modification



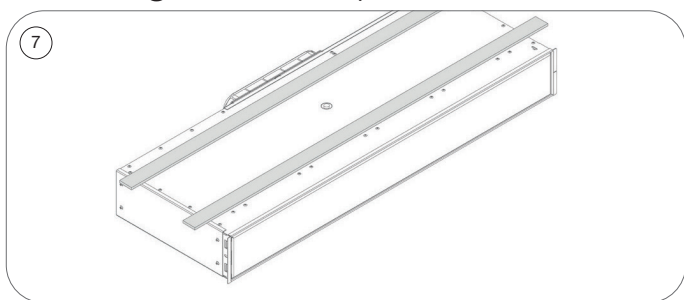
Create an opening for the exhaust duct in the bottom of the cabinet.



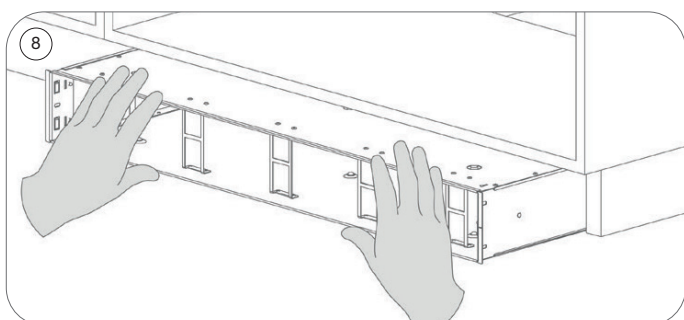
Cut an opening in the toe kick with the following dimensions:

- 31-11/16" x 4" ((805 mm x 100 mm) (tolerance -0"/+1/16" (-0/+1 mm)).
- Minimum height of the toe kick: 4" (100 mm) (keep in mind that the Recirculation filter box must be able to lie flat on the ground).
- Ensure sufficient installation space: the minimum built-in depth is 11 5/8" (295 mm).

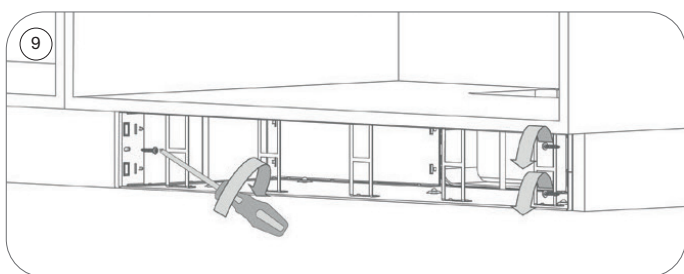
Finishing Install Steps



If the kitchen cabinet is supported by the exhaust box, ensure that the weight is distributed over the surface of the exhaust box.



1. Open the Recirculation filter box by pressing the side (see label: 'press here' or the marking on the exhaust box) until you hear a click. The grille is now completely free.
2. Take the Monoblock carbon filter from the Recirculation filter box.
3. Place the Recirculation filter box in the opening in the toe kick you have made.



Fasten the Recirculation filter box by hand tightening the 3 screws supplied, not too tight!

Finishing Connections

1. Make the connection between the cooker hood and the Recirculation filter box with drainage ducts (not included).
2. First connect a piece of duct to the connection of the Recirculation filter box.
3. Use the aluminum tape supplied to make an airtight connection.
4. Replace the Monoblock filters in the opening and close the grille.

48" PANORAMA COOKTOP & DOWNDRAFT INSTALLATION

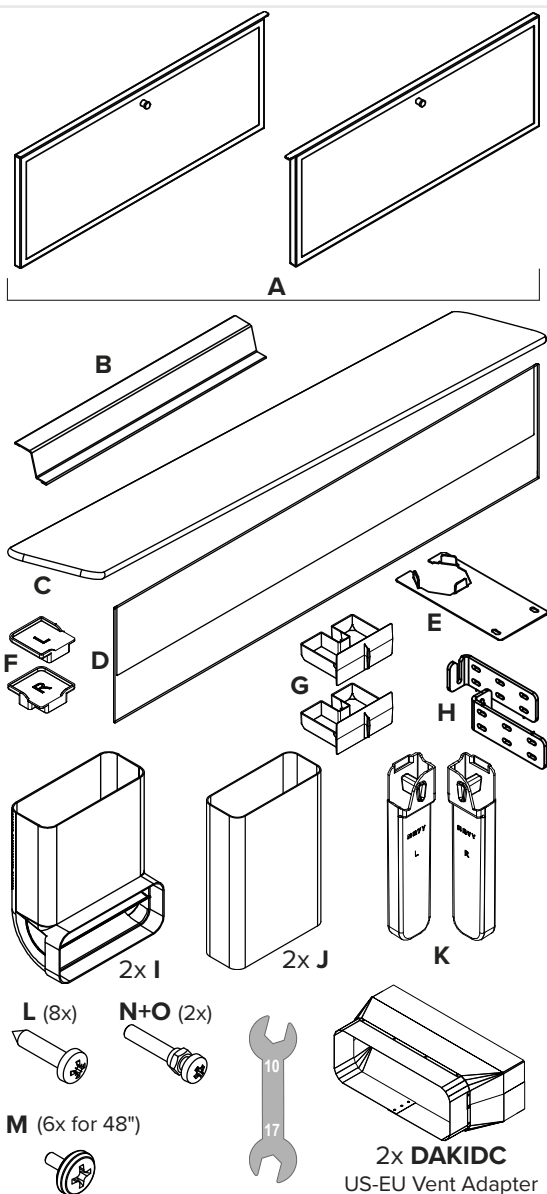
Parts and Accessories

1



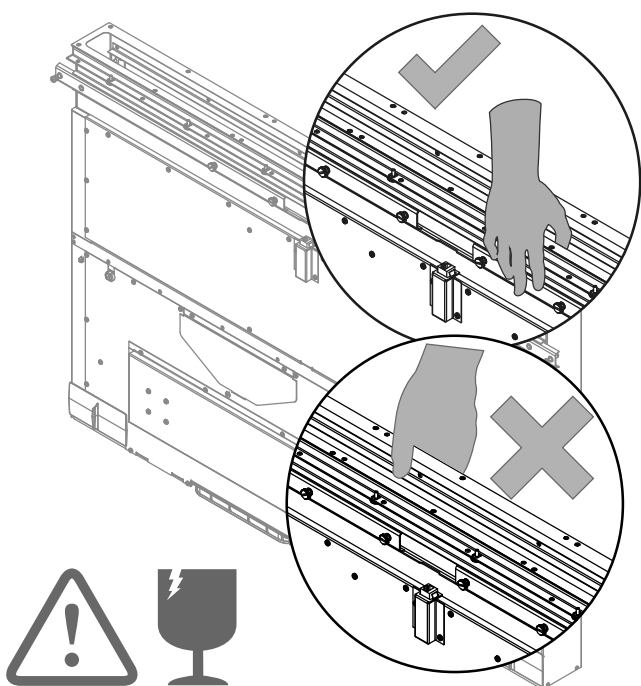
Make sure that the power circuit to which the unit is connected is switched off.

2



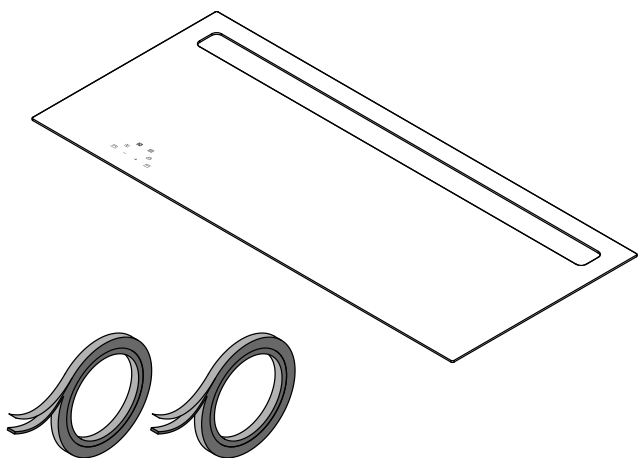
Check that all the downdraft accessories are present in the packaging.

3



Warning: pick up the downdraft only at the front side to prevent damage to the glass of the downdraft

4

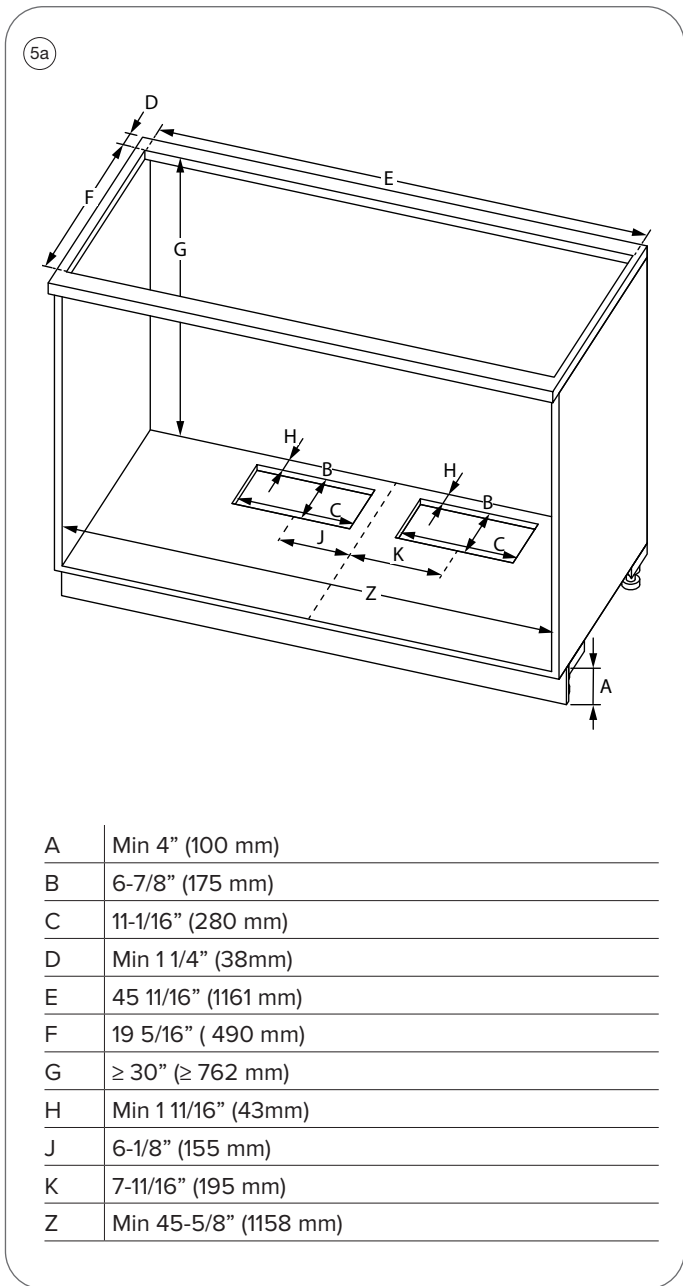


Check that all the cooktop parts are present in the packaging.

Cabinetry Dimensions

Surface Mounting

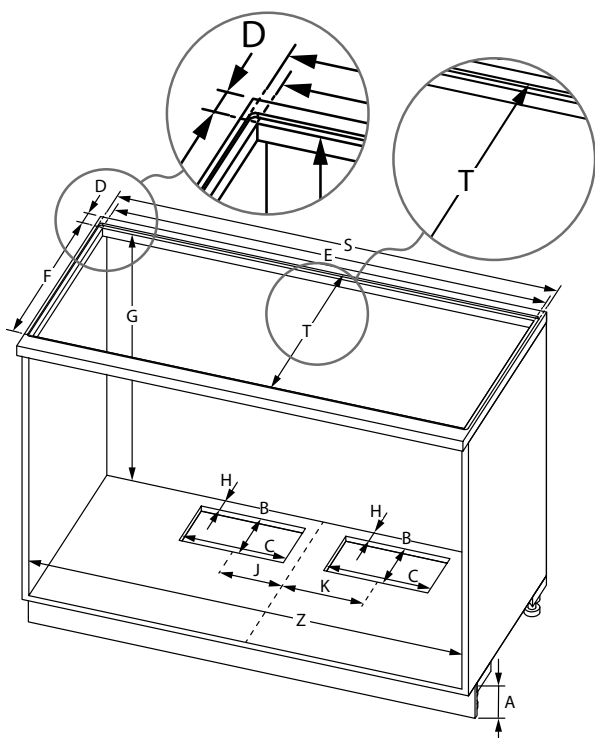
Surface mounting with internal height (G) ≥ 30” (≥ 762 mm): Make two cut-outs in the bottom of the cabinet.



Flush Mounting

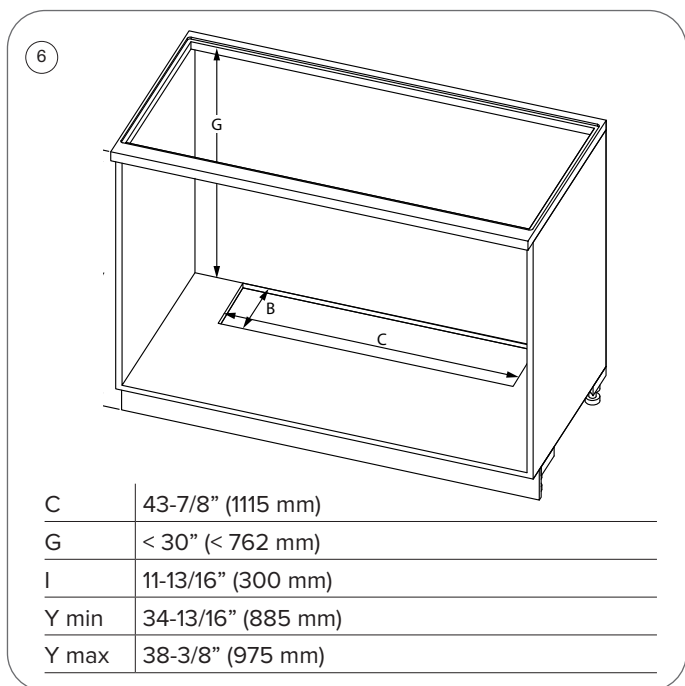
**Flush mounting with internal height (G) $\geq 30''$
(≥ 762 mm):** Make two cut-outs in the bottom of the cabinet.

5b



A	Min 4" (100 mm)
B	6-7/8" (175 mm)
C	11-1/16" (280 mm)
D	Min 1 1/4" (38mm)
E	45 11/16" (1161 mm)
F	19 5/16" (490 mm)
G	$\geq 30''$ (≥ 762 mm)
H	Min 1 11/16" (43mm)
J	7-11/16" (195 mm)
K	7-11/16" (195 mm)
S	46 11/16" (1186 mm)
T	20 3/4" (527 mm)
Z	Min 45-5/8" (1158 mm)

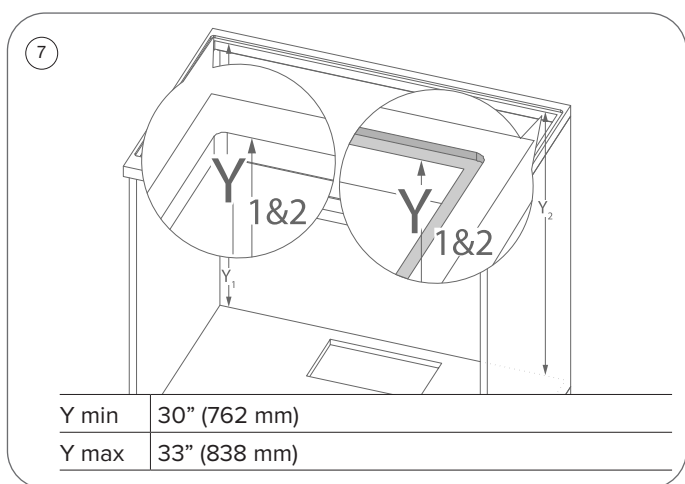
If Cabinet Cavity is Smaller than 30" (762mm)



When cabinet height + countertop is < 30" (< 762 mm), a cut-out is needed in the bottom of the cabinet to install the downdraft.

To install the downdraft, a leveling feet extension kit can be used. Follow the steps described in the corresponding installation manual of the leveling feet extension kit and then continue installation with step 8.

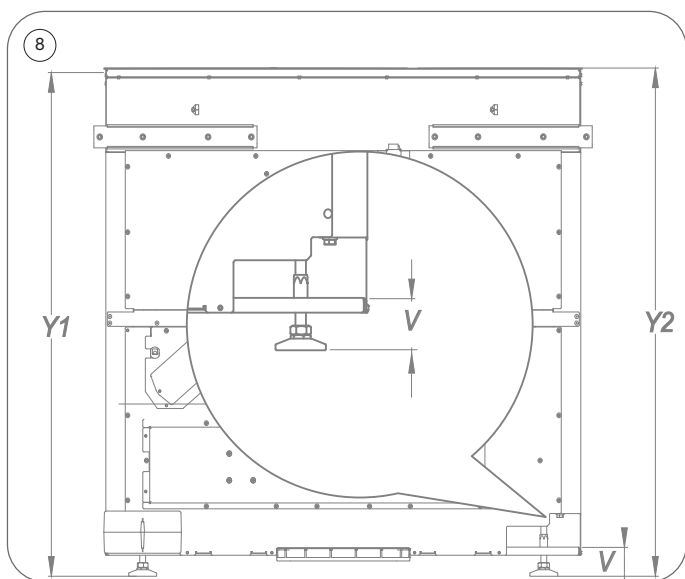
Ensuring Product is Level with Countertop



Measure the height left (Y1) and right (Y2) from the cooktop base plate to the supporting surface.

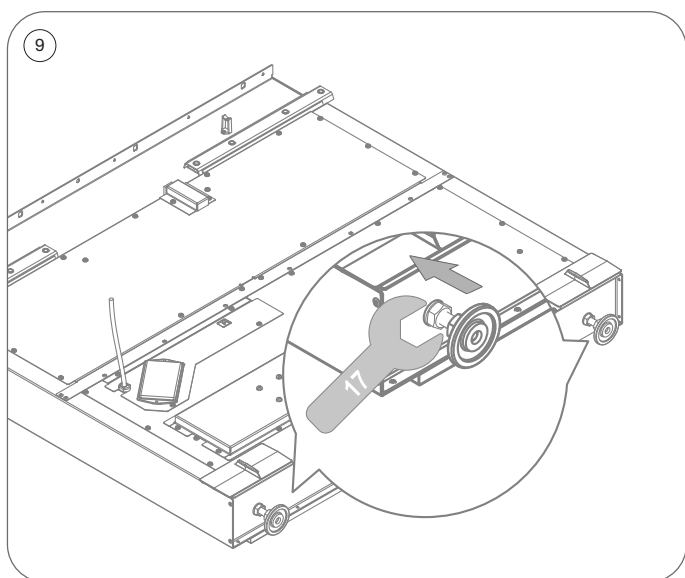
- **Surface mount (Left bubble)** = Top worktop surface.
- **Flush mount supporting (Right bubble)** = Milled edge in countertop.

Preparing the appliance



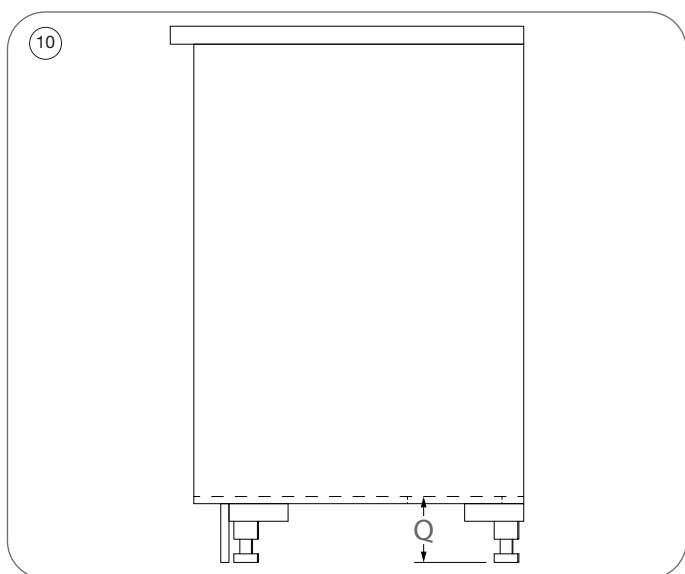
Set the height (Y) with the leveling feet, measure from the top surface of the downdraft to the underside of the leveling feet.

Measure the height (V) from the underside of the downdraft to the underside of the leveling feet (needed for vertical bend).

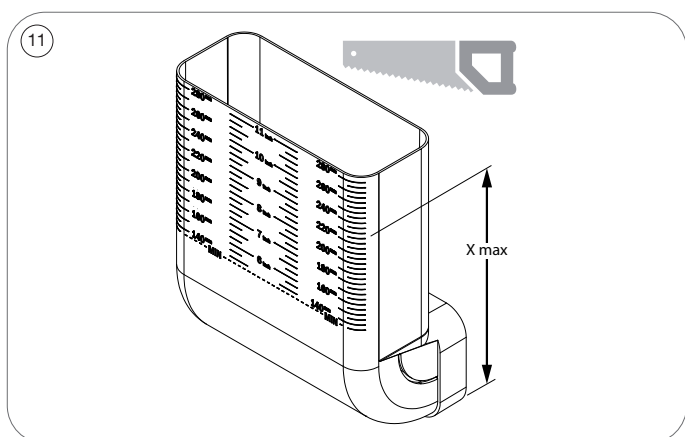


Secure the leveling feet with the wrench 17.

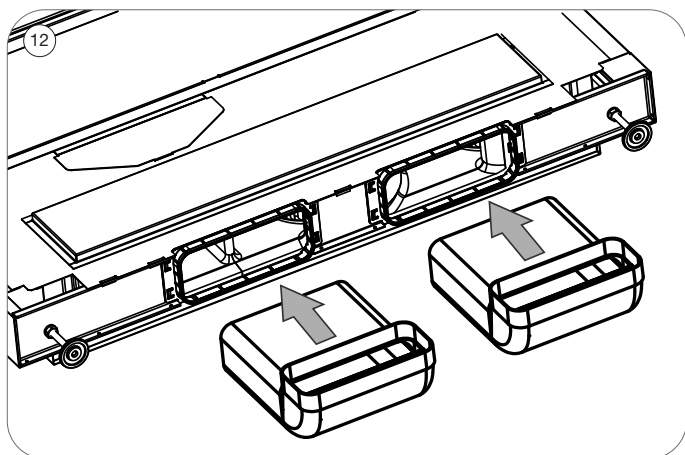
Installing Vertical Bends



Measure the height (Q) from the base plate to the ground position.

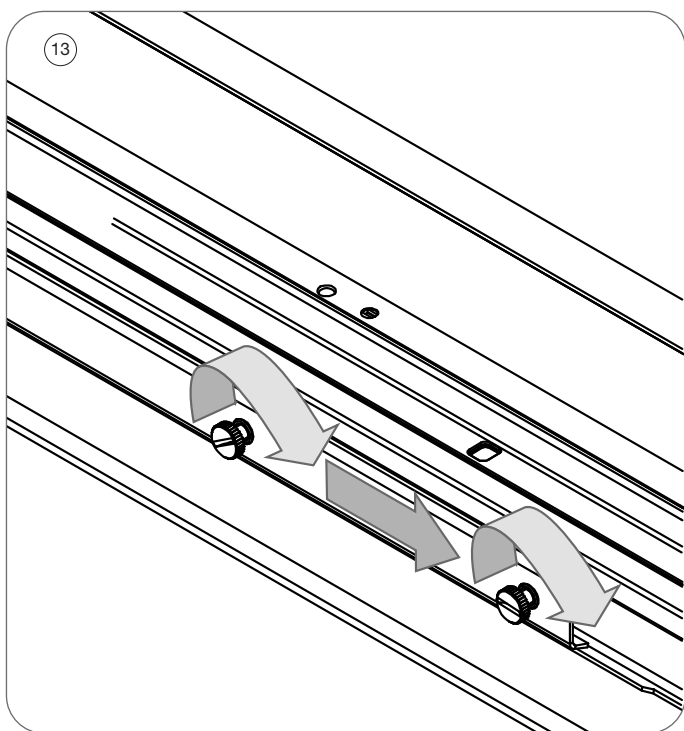


Cut the vertical bends (Parts-I) to size $X = (V+Q) - 3/16"$ \ (5 mm).

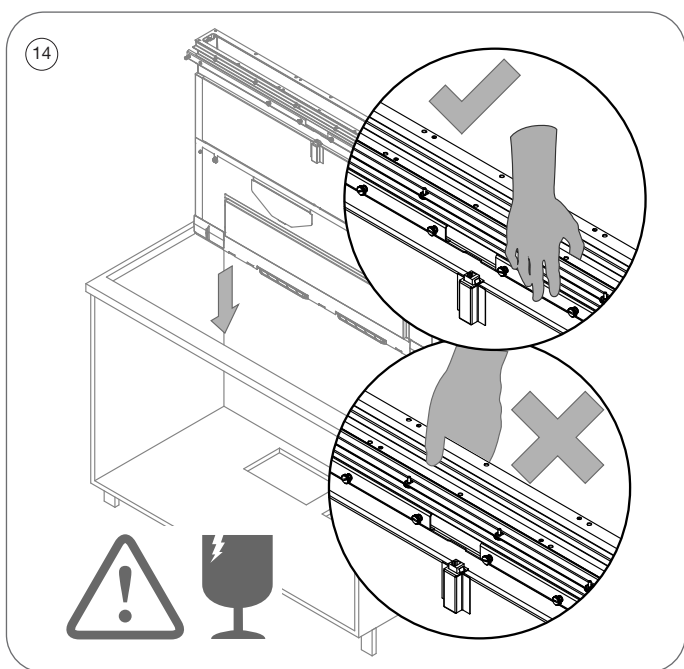


Slide the vertical bends into the outlet piece below the downdraft.

Installing Downdraft




Make sure that the downdraft guides are fully inward and secure this position.

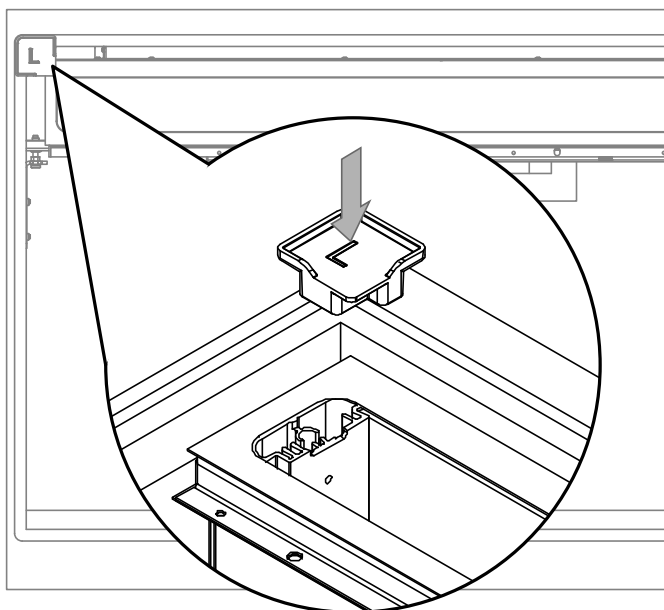


Lift the downdraft through the work top cut-out in the housing.

 **Warning: hold the downdraft only at the outside to prevent the glass breaking.**

 **Warning: this activity is best done by 2 people.**

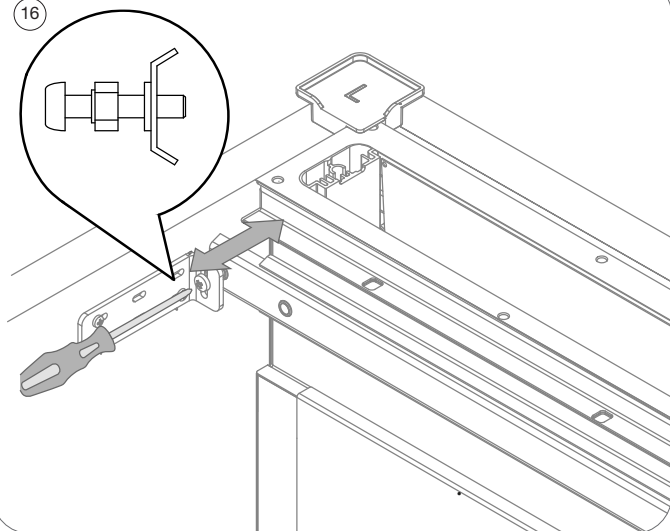
15



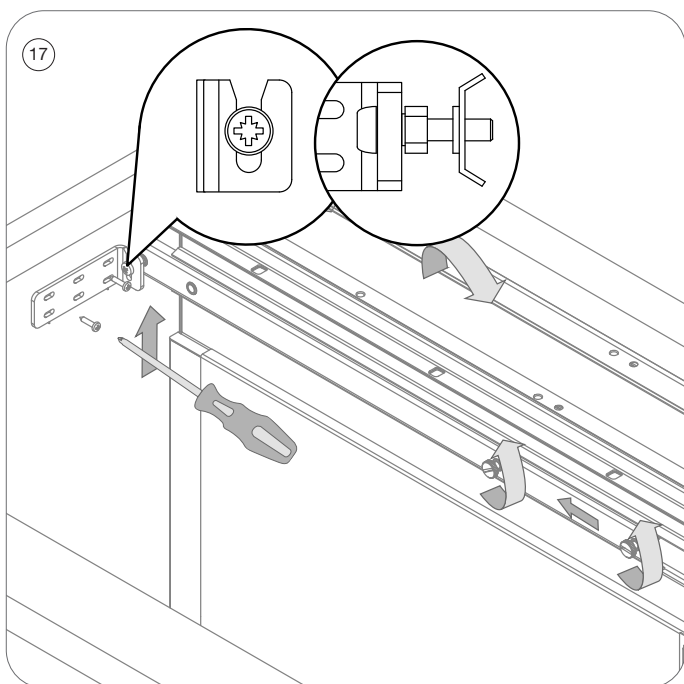
Place the positioning guides (Part-F) between the worktop cut-out and the downdraft.

Position the side and rear edge of the downdraft against these two guides.

16



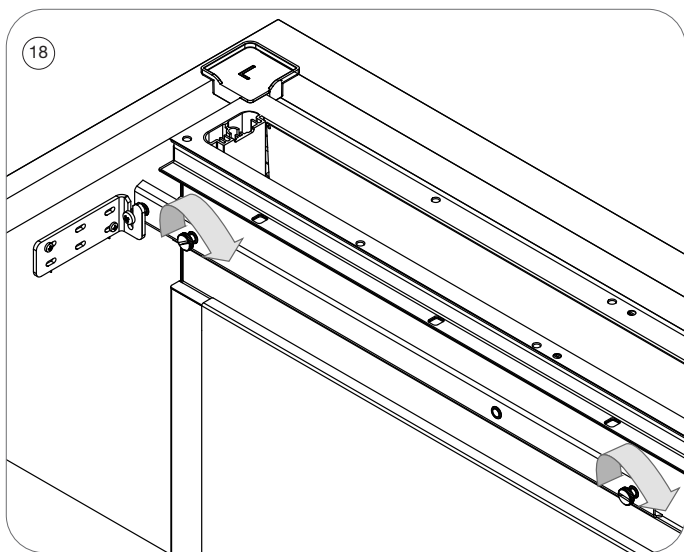
Set the adjusting bolts (the bolt and the lock nut Parts N + O) to the center of its range to make fine adjustment of the downdraft possible later.



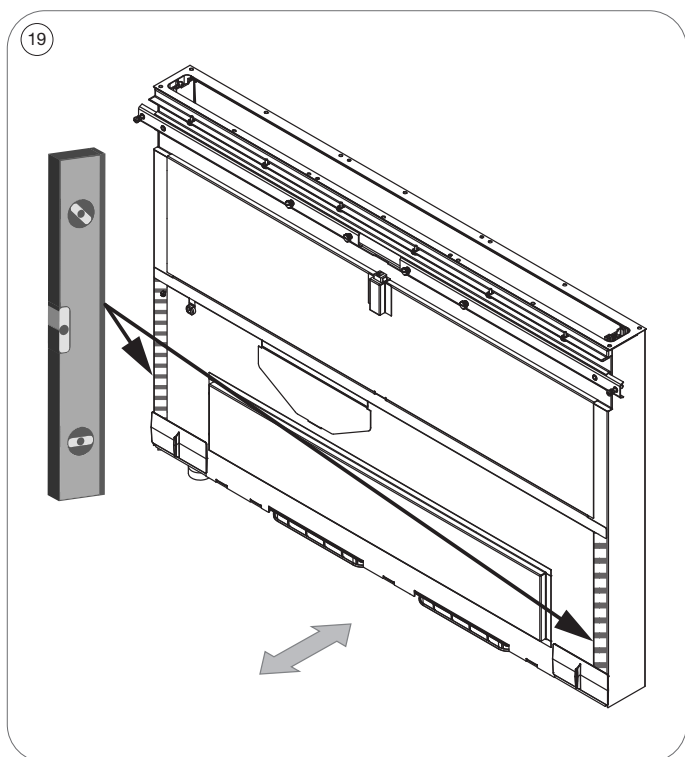
Slide the downdraft guides fully against the side wall of the housing.

Slide the mounting brackets (Part-H) between the bolt and the lock nut (Parts-N+O) of the guide until they are in the center of the groove.

Secure this position with the screws supplied (Part-L). Perform this action on both the left and right.

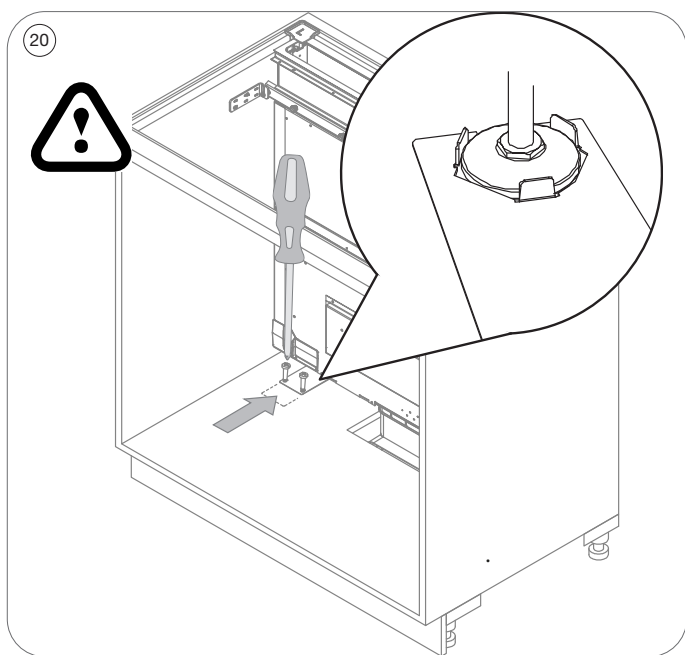


Secure the position of the guides with the black screws.



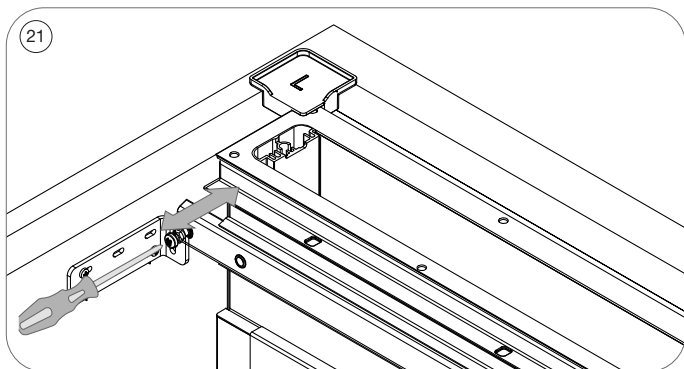
Level the downdraft at both the left and right by moving it forwards or backwards at the bottom.

Use a short spirit level $\leq 12''$ (≤ 30.5 cm) and place this on the marked places.



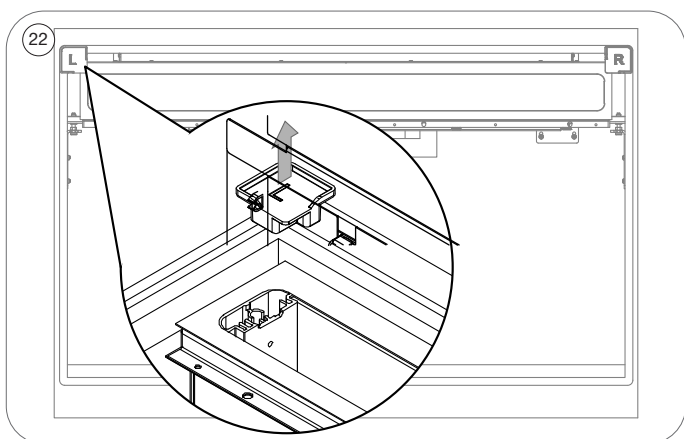
Secure the position of both leveling feet in the housing with the plates (Part-E) and screws (Part-L).

Fine Tuning Installation

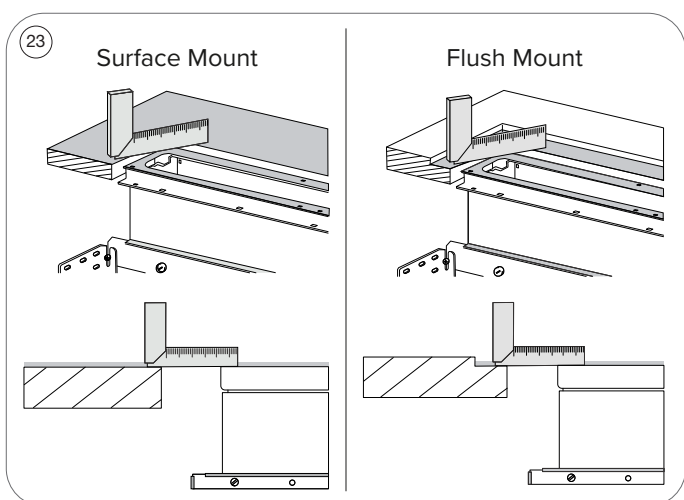



Adjust the position as necessary with the adjusting bolts on the guides.

The positioning guides (Part-F) must be positioned with minimal clearance between the worktop cut-out and the downdraft.



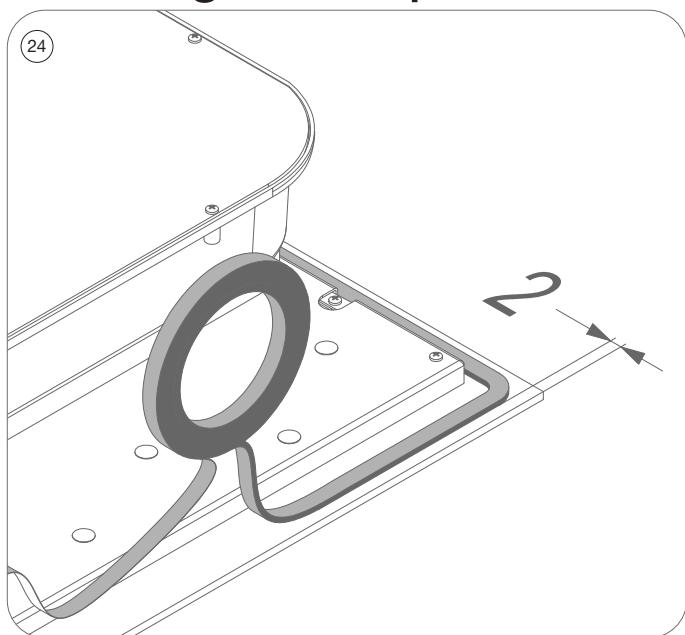
Remove the positioning guides (Part-F).



 **Warning: Carry out the following action carefully to avoid glass damage.**

Check the height of the cooker downdraft with a ruler, it **MUST** be leveled with the worktop (surface mount) or milled edge (flush mount). Adjust if necessary with the leveling feet.

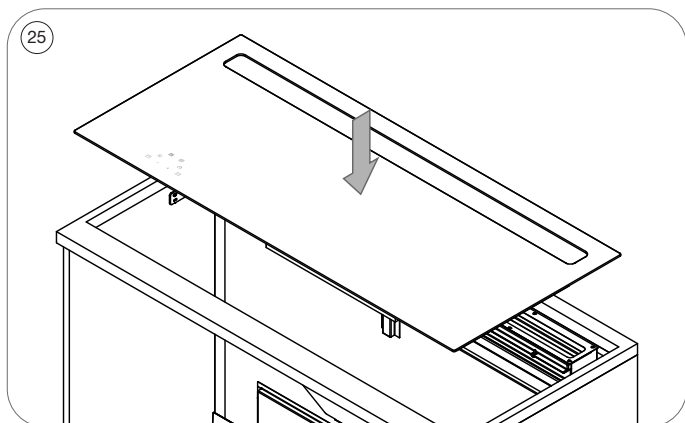
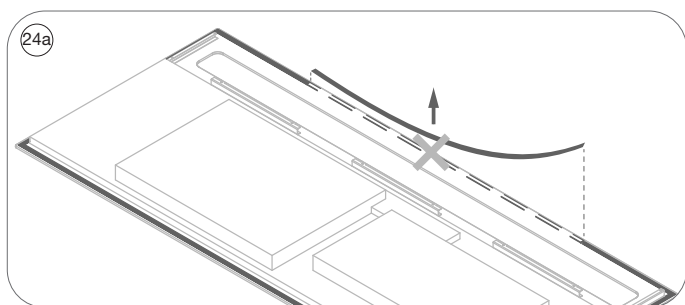
Installing Cooktop



Apply the waterproof tape 1/16" (2mm) from the rim to the underside of the cooktop glass.



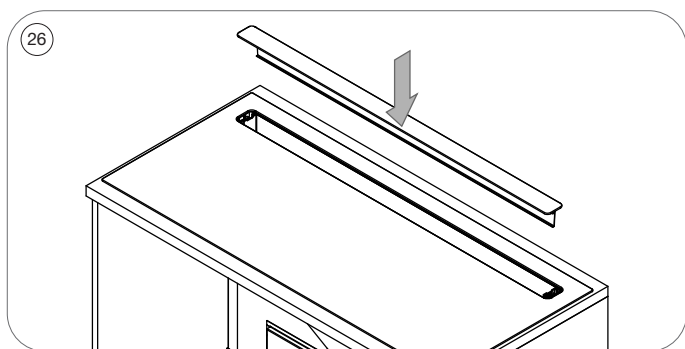
If necessary, remove a central piece of the tape from the back of the cooktop if it would not be completely flat at the back during installation.



Place the induction cooktop on the downdraft. Make sure the edge of the cut-out in the induction cooktop glass is aligned with the side profiles of the tower.



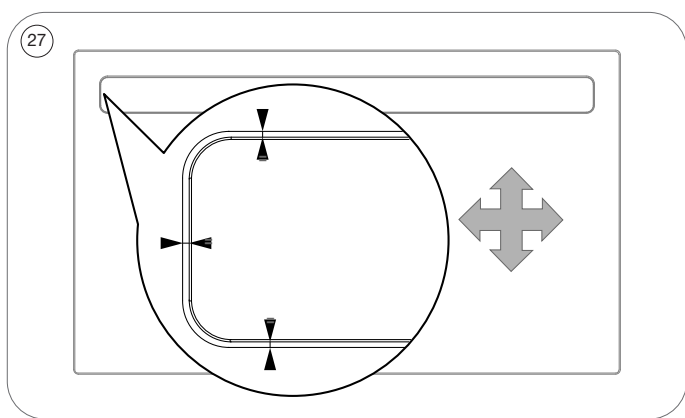
Do not apply sealant between the bottom side of the cooktop and the worktop.



Carefully place the downdraft glass cap (Part-C) with the pins in the cut-outs provided in the downdraft.



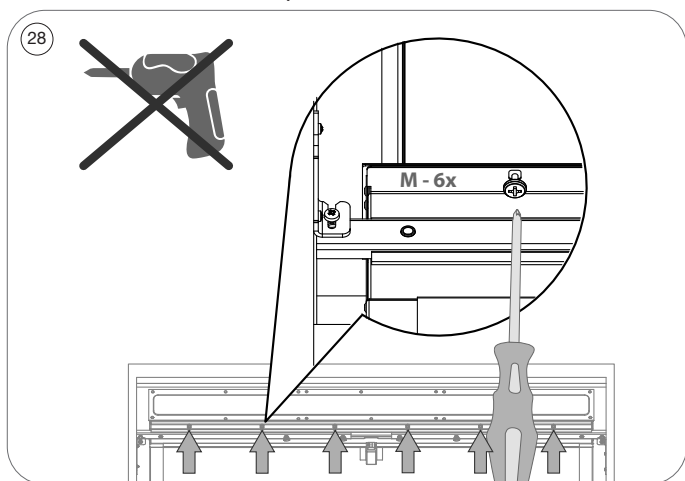
Perform the above action carefully to prevent glass damage and scratches.



Surface mounting: Adjust the position of the induction cooktop until the spacing around the tower top glass and cut-out is even.

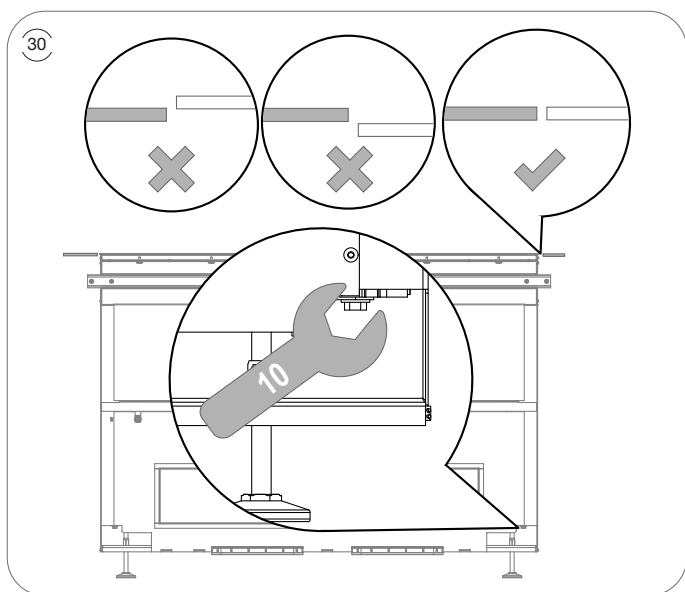
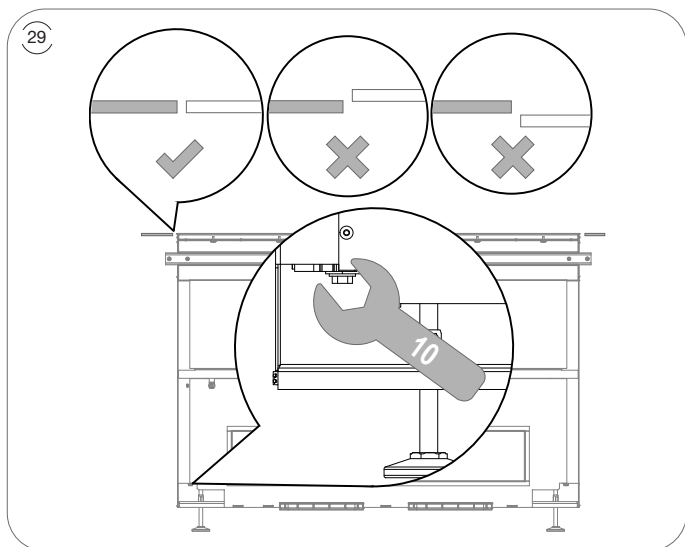
Flush mounting: Adjust the position (front, back, left and right) of the cooker downdraft until the spacing around the downdraft tower glass cap and the cut-out is even.
(STEP 18, 21)

Secure Cooktop to Downdraft



Secure the position of the cooktop on the downdraft with the Part-M screws (6x for 48"). Tighten these bolts only finger tight, do not use a hand-held screwdriver.

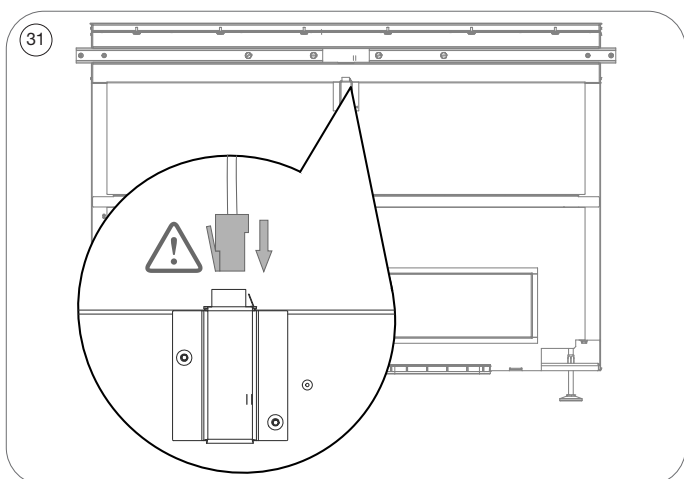
Fine Tune Height of Downdraft Compared to Cooktop



Adjust as necessary the height of the downdraft tower with respect to the top of the cooktop.

Turn the bolt with a wrench 10 counter-clockwise to raise the tower and clockwise to lower it.

Electrical Connections

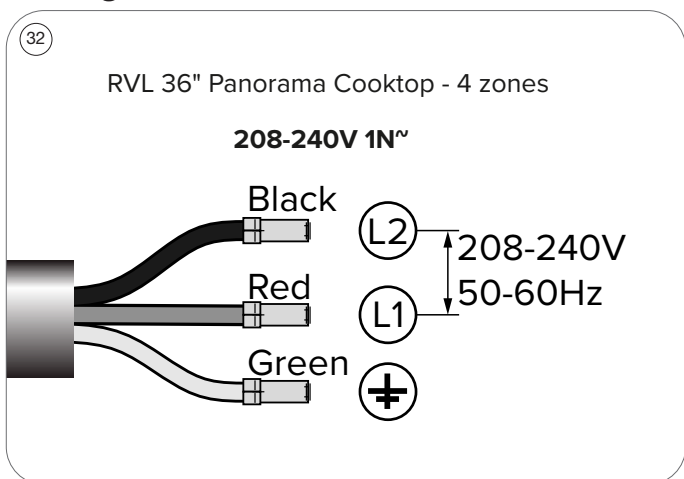


Connect first the cooktop cable connector to the downdraft.



Warning: Ensure correct connector orientation before connecting, to prevent damage.

Wiring / Power



Downdraft: Connect the plug to the house power supply.

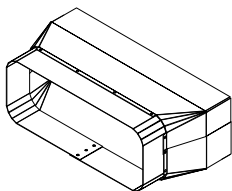
Cooktop: Connect the cooktop's power cable according to the above connection diagram.

Downdraft Exhaust Options

Duct Adapter & Extensions

The duct adapter is used when the Recirculation filter box cannot be placed in the same cabinet as the Panorama downdraft unit, or when venting to the exterior using American-sized ducting.

- Two DAKIDC adapters are included with the Viking 48" Panorama model.
- Additional DAKIDC adapters are available separately (in case of recirculation option 2 or 3).
- American-sized ducting (size: 3¼" x 10", gauge 24) can be sourced from local hardware stores.



DAKIDC
EU-US Viking Duct
Adapter Kit for Panorama

Two installation options are available:

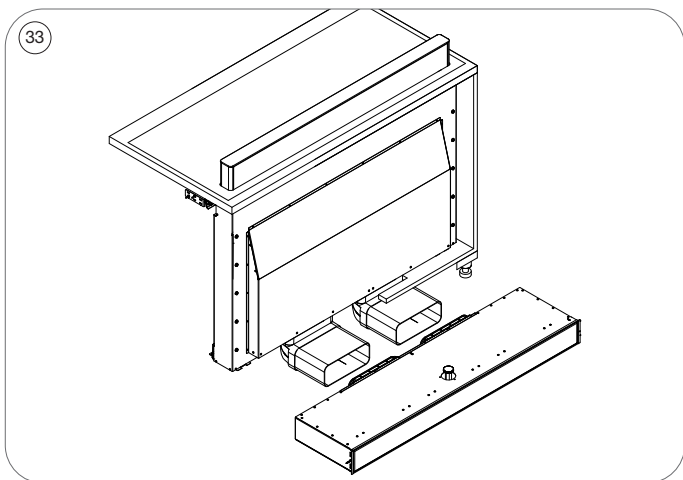
- **Recirculation Option** – Air is filtered and recirculated back into the kitchen.
- **Exhaust to Exterior Option** – The air is vented directly to the outside.

Recirculation option

Option 1 – Recirculation Filter Box in the Same Cabinet

The Recirculation filter box is installed inside the same cabinet as the downdraft unit.

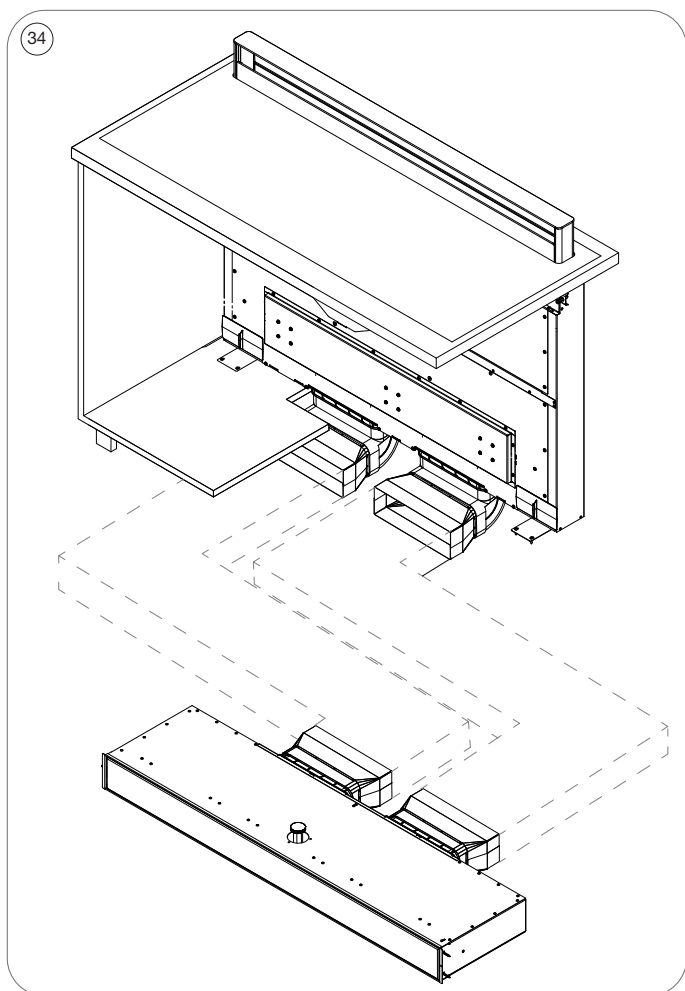
- Connect it to the downdraft outlet using the supplied white duct sections.
- Ensure all connections are airtight and securely sealed.



Option 2 – Recirculation Filter Box in an Adjacent Cabinet

The Recirculation filter box is installed in a cabinet adjacent to the downdraft unit.

- This setup requires DAKIDC adapters at both ends of the duct run — one at the downdraft outlet and one at the Recirculation filter box.
- Continue the duct run using locally sourced American-sized ducting (size: 3¼" x 10", gauge 24).
- Ensure all connections are airtight and securely sealed.

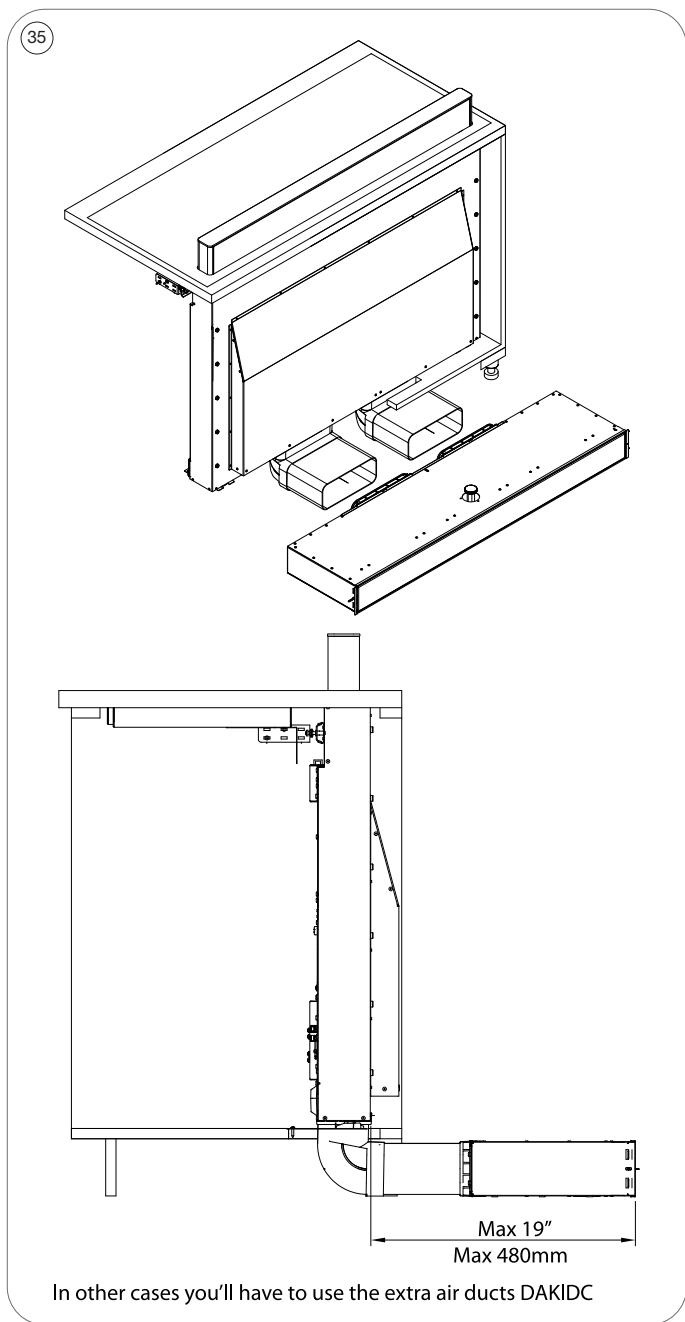


Option 3 – Recirculation Filter Box in a Rear Cabinet

The Recirculation filter box is installed in a separate cabinet behind the downdraft unit.

If the distance from the downdraft outlet bend to the front of the Recirculation filter box is $\leq 19''$ (480 mm):

- Use the supplied white duct sections.
- Ensure all connections are airtight and securely sealed.



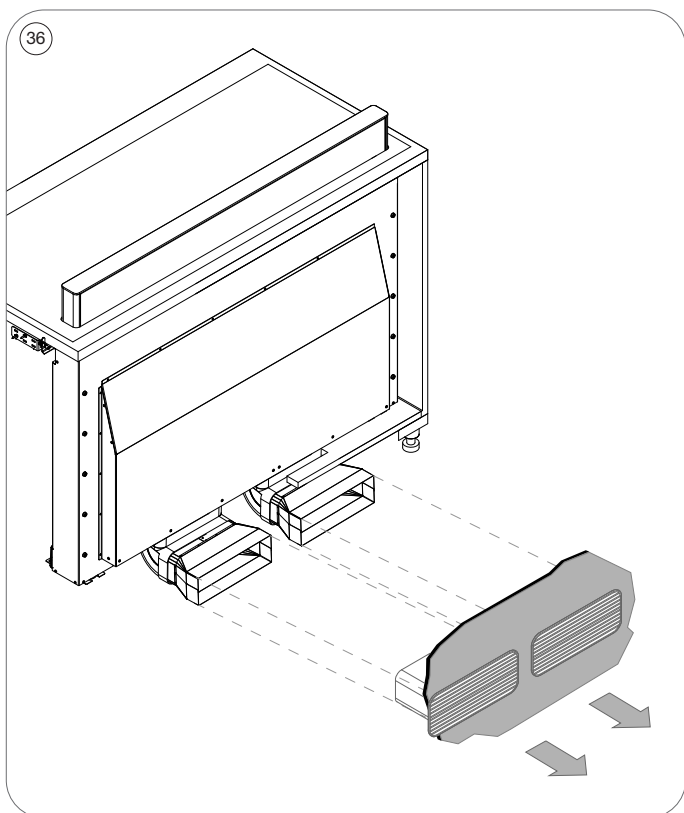
If the distance exceeds 19'' (480 mm):

- This setup requires DAKIDC adapters at both ends of the duct run — one at the downdraft outlet and one at the Recirculation filter box (see sample option 2).
- Continue the duct run using locally sourced American-sized ducting (size: $3\frac{1}{4}'' \times 10''$, gauge 24).
- Ensure all connections are airtight and securely sealed.

Exhaust to Exterior Option

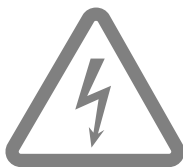
The air is vented directly to the outside.

- Insert the supplied DAKIDC adapter into the bend of the downdraft tower.
- Continue the duct run using locally sourced American-sized ducting (size: 3¼" x 10", gauge 24).
- At the exterior wall, install a suitable wall cap (not included) that matches the duct dimensions, supports the required airflow capacity, and includes a backdraft damper for optimal performance.
- Ensure all connections are airtight and securely sealed.



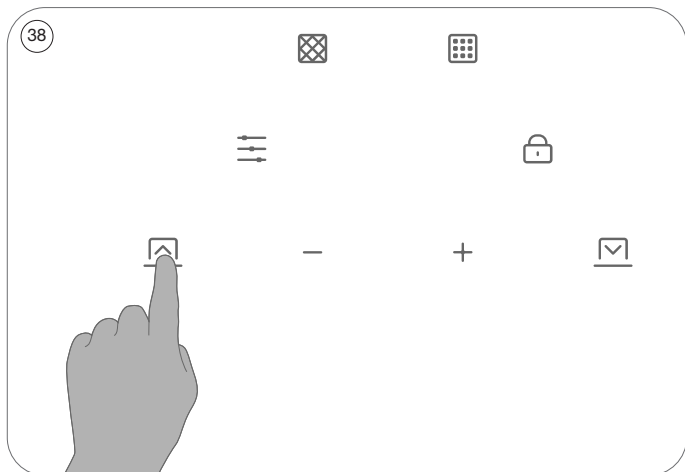
Installation - Finishing Steps

37



Switch the unit power supply circuit on.

38




Keep the  button pressed for 3 seconds.

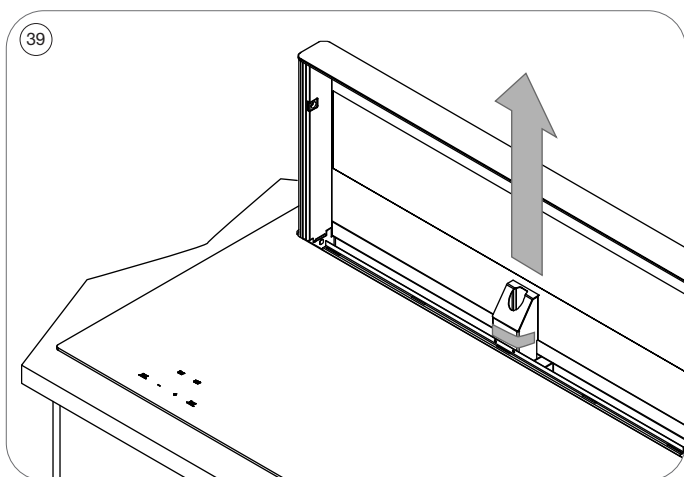


If the 4 LEDs on the control flash directly, the safety system of the tower is activated.

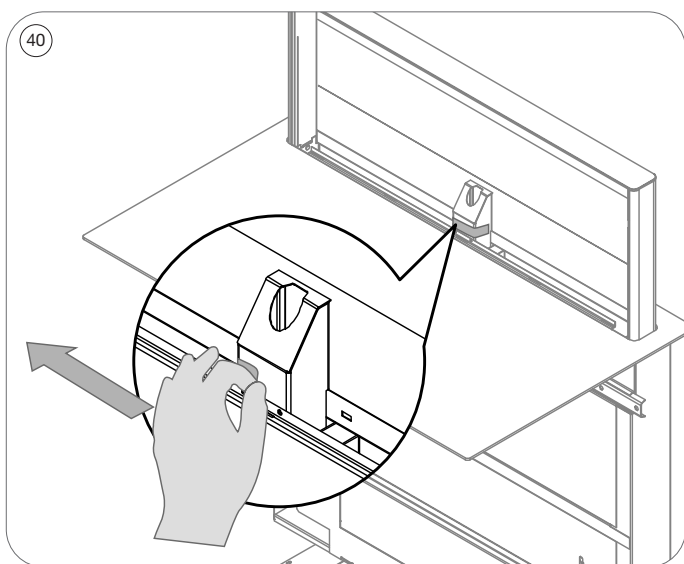
You can manually turn the tower up using a flat screwdriver.

Carefully remove the top glass from the tower and place the screwdriver in the provided recess of the spindle in the center of the tower.

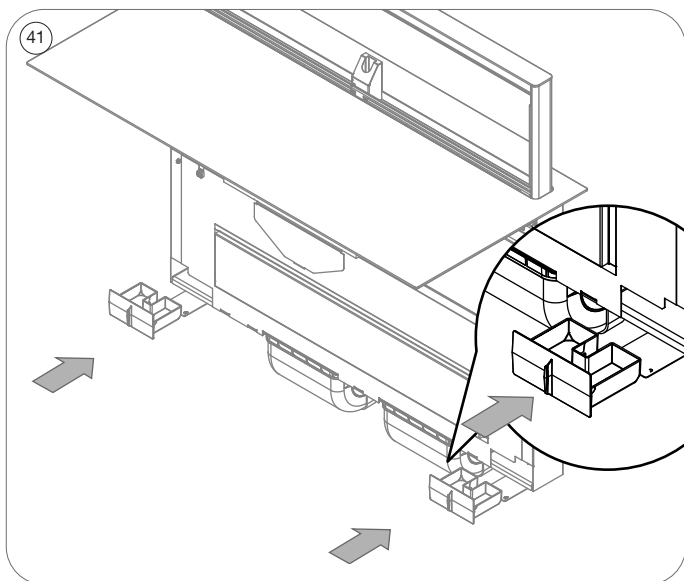
Now turn the tower fully up until the safety switch as in step  is visible.



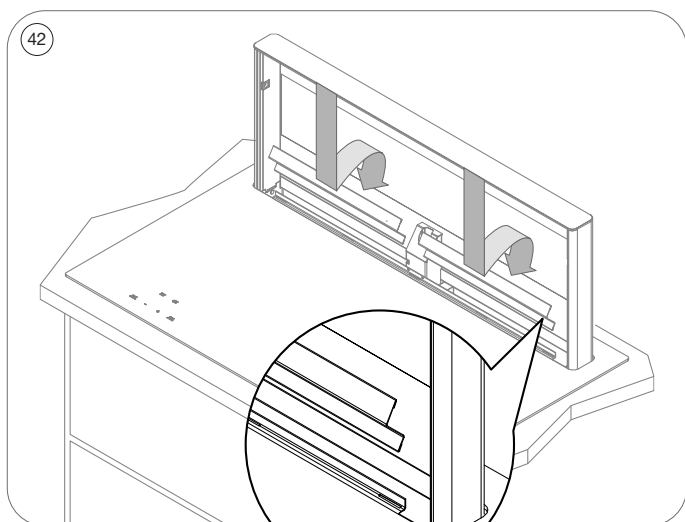
The tower now moves to its highest position: 12" (30 cm).



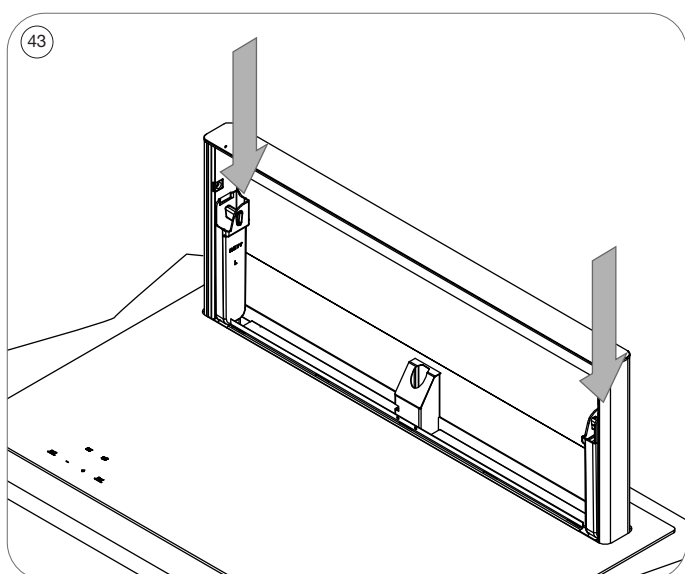
Remove the safety sticker from the tower. The 4 LEDs on the controller flash.



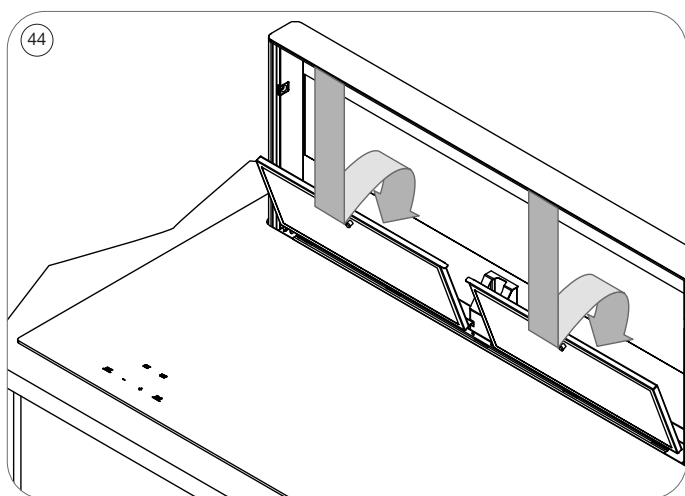
Slide both lower collection trays (Part-G) into the downdraft with the short side facing forward.



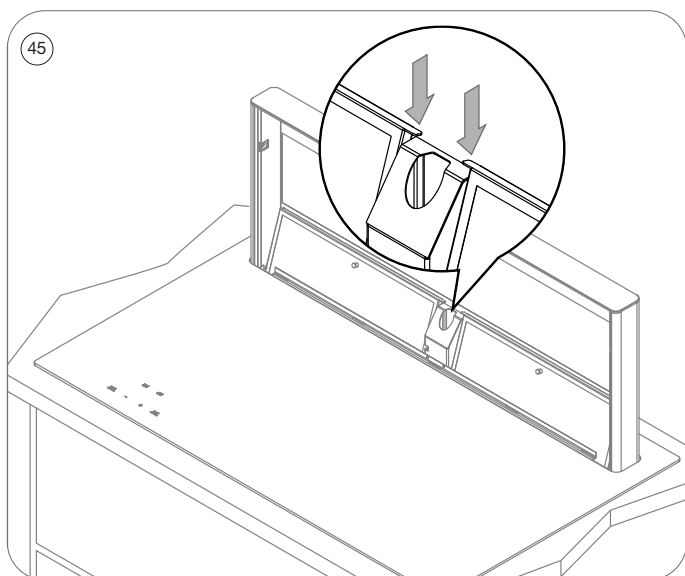
Place the collection security (Part-B) in the downdraft. They should be positioned against the center of the tower.



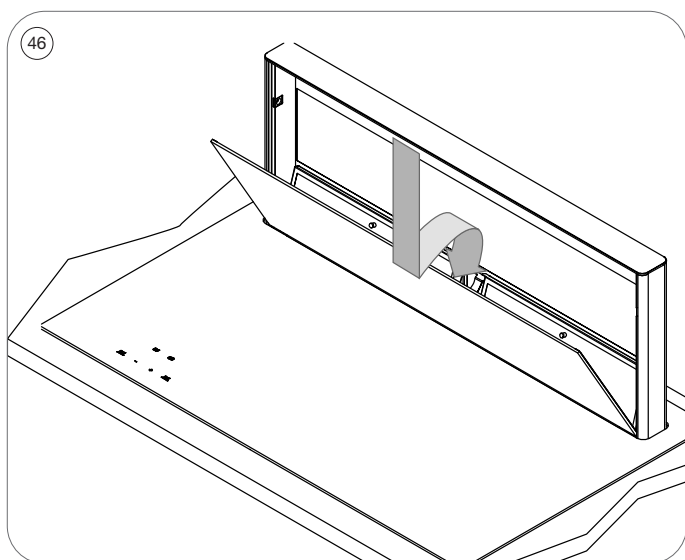
Slide both upper collection trays (Part-K) into the downdraft.



Place both grease filters (Part-A) in the downdraft on the fall protection.



Verify the correct placement of the grease filters using the positioning tab.





Place the front glass (part-D) on the downdraft tower. Position the tabs of the glass in the cut-out in the downdraft tower and tilt the glass toward the magnets until the glass snaps into place.

47 Press the knob to re-initialise the tower.

48 The tower now moves to the closed position.

49 **Recirculation:** Device is set in recirculation mode by default.

Duct out: Set device in duct out mode by pressing the key combination [+] and [-] and  for 3 seconds.

The LED next to  will blink 3x to acknowledge the setting.

Repeat these actions for recirculation mode, the LED will be on for 3 seconds.

48" MONOBLOCK RECIRCULATION FILTER BOX (CF48IDC)

Contemporary, energy-efficient kitchen ventilation: you can't have the first without the latter. Recirculation offers the solution for this. Recirculation extraction hoods do not remove the cooking fumes, but filter the odor and fat out of the air and then blow the filtered air back into the home.

The Viking Monoblock filter box absorbs unpleasant odors and makes the removal of hot air to the outside unnecessary. The basis of the Monoblock filter is an advanced form of activated carbon particles in the shape of minuscule spheres that are bonded to a load-bearing labyrinth structure. Due to the labyrinth structure, the Monoblock filter box has a limited loss of pressure and maintains a maximum efficiency. This results in efficient extraction, excellent odor absorption and a limited noise level.

Safety information

The Recirculation filter box must be used with an extractor hood or downdraft cooktop.



Before programming and using the recirculation mode, read the user manual for your device.



For optimal operation of the Monoblock recirculation filter, it is important to switch on the extractor before cooking and to let it run until it auto turns off. To do this, read the instructions in the user manual for your appliance.



Provide adequate ventilation in the kitchen for optimal efficiency of the recirculation system.

An indicator on the cooker hood or venting hob indicates that the Monoblock recirculation filter needs to be replaced.

The lifetime of this Monoblock recirculation filter is indicated on the label on the filter itself.



New Monoblock filters can be obtained from an authorized Viking dealer, or on the Viking website.

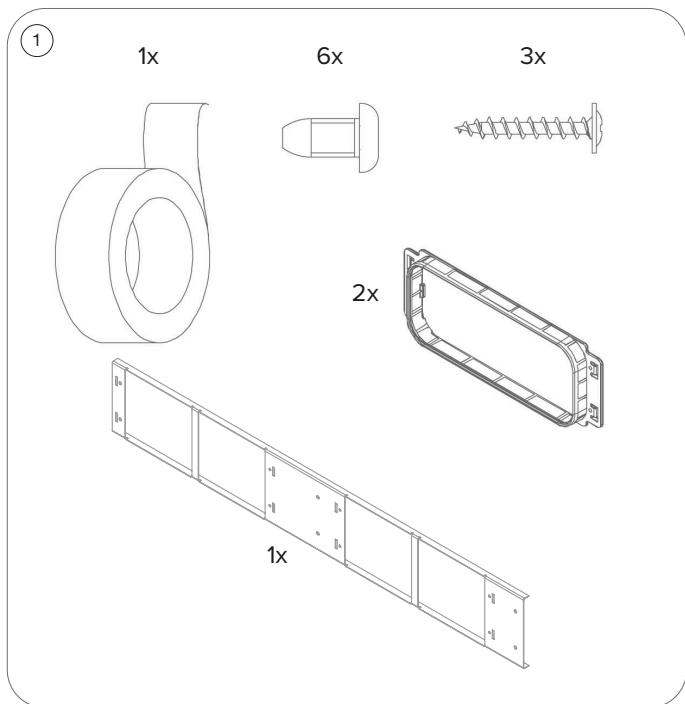
**Monoblock filter model number:
CF48IDC Viking 48" Charcoal Filter for Panorama**



Important: Please read the safety and installation instructions before you start.

48" Recirculation Installation for MVIDC6485B

Parts and Accessories



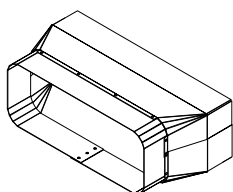
Check that all the materials for installation have been supplied.

The filters are located inside the accessory.

Duct Adapter & Extensions

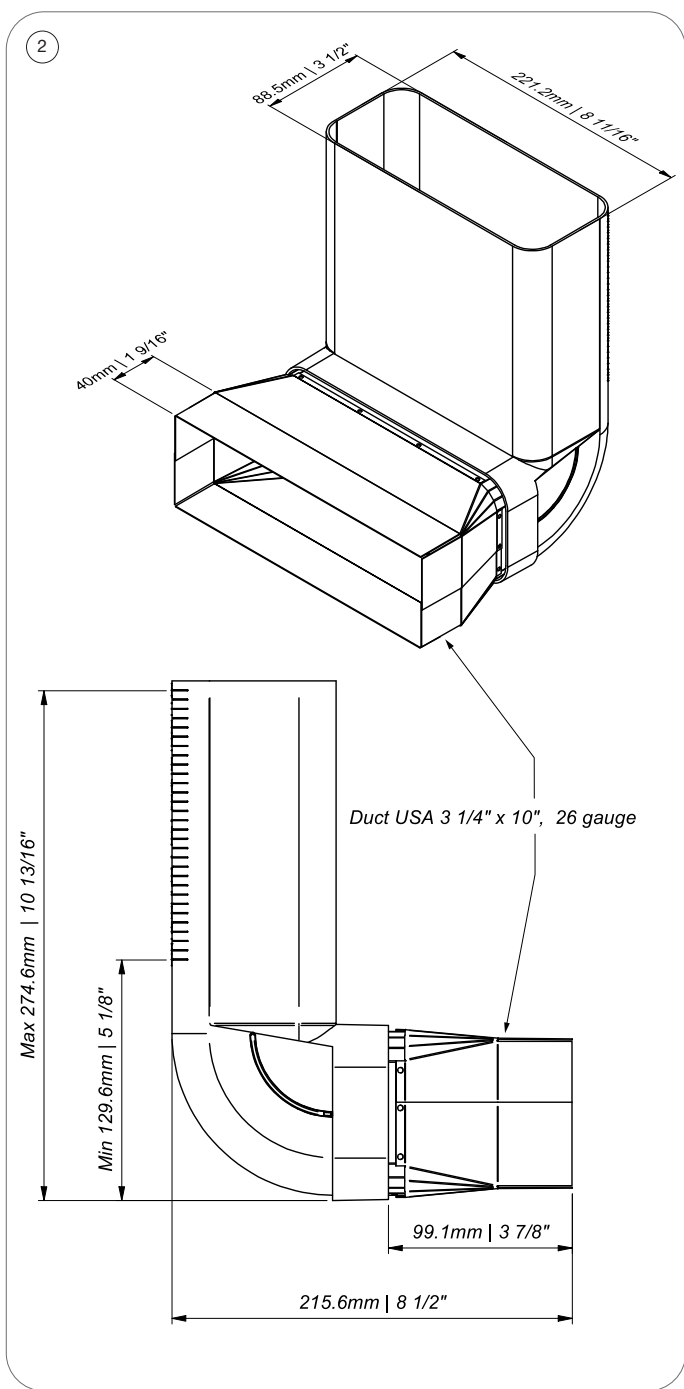
The Duct Adapter and Extensions are used in situations where the recirculation filter cannot be installed in the same cabinet as the Panorama, or when exhausting to the exterior, and American-sized ducts need to be used (see pages 54 & 56).

- Additional European to American Duct Adapter (DAKIDC) is sold separately.
- American-sized duct extensions can be bought at a local hardware store.

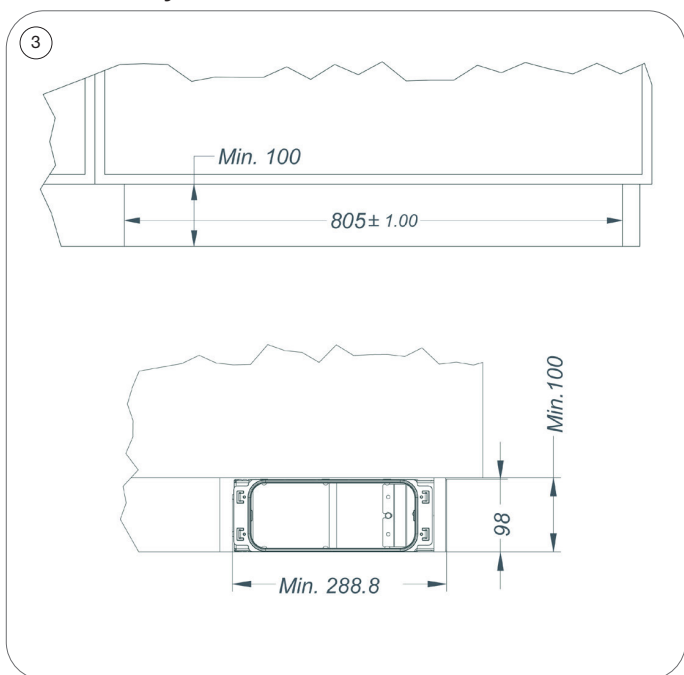


DAKIDC
EU-US Viking Duct
Adapter Kit for Panorama

Dimensions



Cabinetry Modification

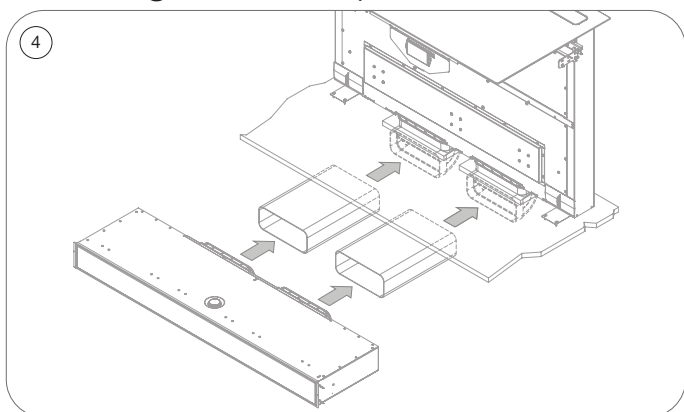


Cut an opening in the toe kick with the following dimensions:

- 43-1/2" x 4" ((1105 mm x 100 mm) (tolerance -0"/+1/16" (-0/+1 mm)).
- Minimum height of the toe kick: 4" (100 mm) (keep in mind that the recirculation box must be able to lie flat on the ground).

Ensure sufficient installation space: the minimum built-in depth is 11 5/8" (295 mm).

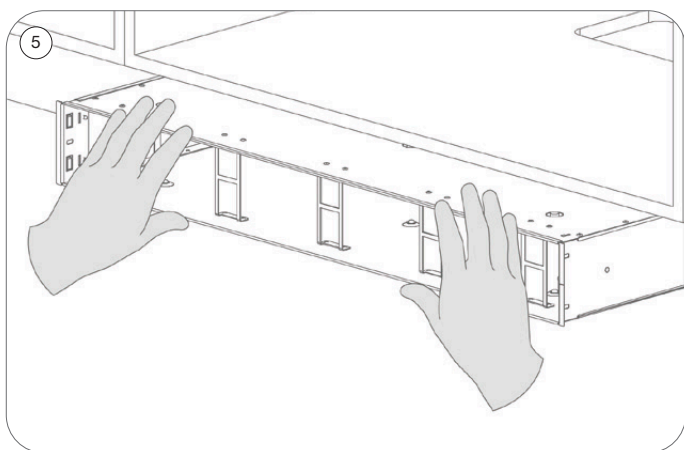
Finishing Install Steps



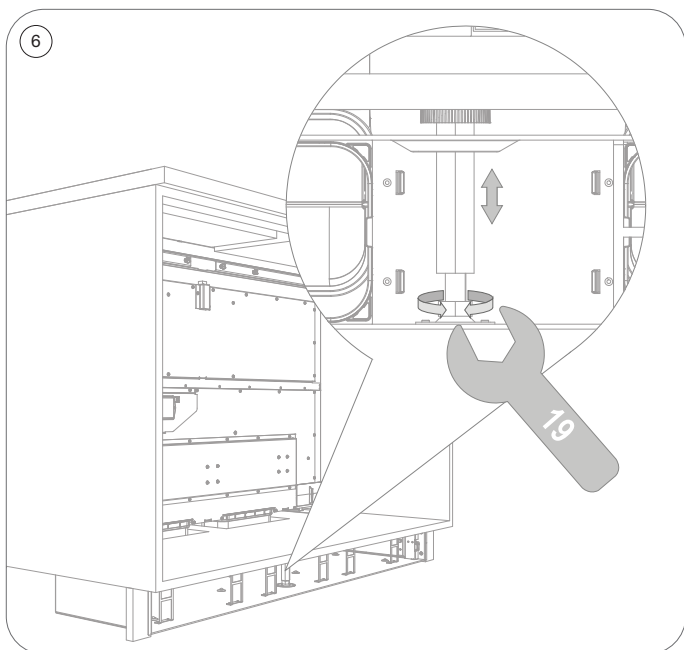
Determine the length of ductwork needed.
Connect these to connection openings of the recirculation box.



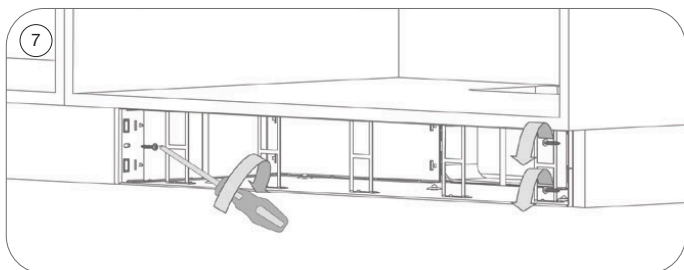
Note for 48": Turn the plate with the 2 connection openings 180° if the recirculation box behind the appliance has to blow out.



1. Open the recirculation box by pressing the side (see label: 'press here' or the marking on the exhaust box) until you hear a click. The grille is now completely free.
2. Remove the Monoblock carbon filter from the recirculation box.
3. Place the recirculation box in the opening in the toe kick.



Turn the adjustment foot via the nut in the bottom until it just supports the base plate of the cabinet.



Fasten the recirculation box by hand tightening the 3 screws supplied, not too tight!

Finishing Connections

1. Make the connection between the cooker hood and the recirculation box with drainage ducts (not included).
2. First connect a piece of duct to the connection of the recirculation box.
3. Use the aluminum tape supplied to make an airtight connection.
4. Replace the Monoblock filters in the opening and close the grille.

SERVICE INFORMATION

Only authorized replacement parts may be used in performing service on the appliance.

DO NOT repair or replace any part of the appliance unless specifically recommended in the manual. All other servicing should be referred to a qualified technician.

Contact Viking Range, LLC, 1-888-(845-4641), for the nearest service parts distributor in your area or write to:

**Viking Range, LLC
PREFERRED SERVICE
111 Front Street
Greenwood, Mississippi 38930 USA**

Make a note of the information below. You'll need it if service is ever required.

This information can be found on the serial plate on the inner frame of the downdraft unit.

- Model no.
- Serial no.
- Date of purchase
- Date installed
- Dealer's name
- Address

If service requires installation of parts, use only authorized parts to insure protection under the warranty.

Viking Range, LLC
111 Front Street
Greenwood, Mississippi 38930 USA
(662) 455-1200

For product information, call 1-888-845-4641 or visit our website at vikingrange.com

062525