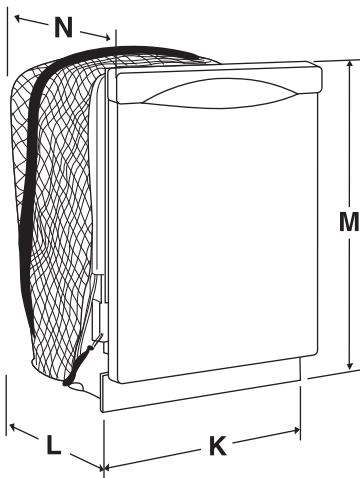
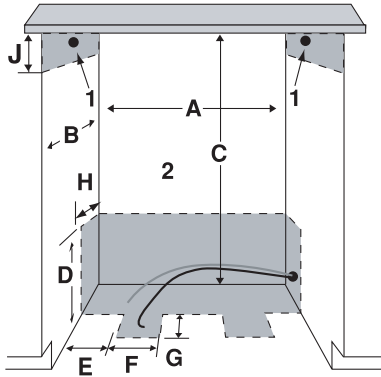


MAYTAG[®] COM

Bringing innovation home.™

BUILT-IN DISHWASHER



Deep Tub Dimensions

■	Inches □	Centimeters
A □	24 □	61.0 □
B □	24 □	61.0
C □	34-35 □	86.4-88.9
D □	7 □	17.8
E □	3 □	7.6 □
F □	5 □	12.7
G □	8 □	20.3 □
H □	5 □	12.7
J □	3 □	7.6
K □	23 7/8 □	60.6 □
L □	19 1/2 □	49.5
M □	33 1/2 min.-35 max. □	85.1 min.-88.9 max.
N ³ □	23 7/8 □	60.6

□

Notes:

1. Preferred drain area.
2. Keep back free of drain, water and electrical supply.
3. Add 9/16" (2.1 cm) to depth for timer dial.
4. Minimum 32" drain loop, 1/2" inside diameter minimum. Floor drains require a siphon break.
5. Connections preferably located toward left side of dishwasher. Care should be taken to route plumbing away from motor and blower (if equipped).
6. Electrical and plumbing should meet all local and national codes.
7. Electrical and water supplies should enter cabinet opening on the floor, or through the back or side walls, as shown in the shaded area of the drawing.
8. When installing dishwasher in or near a corner, allow enough room for door to open without interfering with cabinet drawers or hardware.

Electrical requirements: Adequately wired individual 120V A/C, 60 Hz approved electrical circuit. □
 □ Use required fuse (15 amp) or comparable circuit breaker.

Important: Because of continuing product improvements, Maytag reserves the right to change specifications without notice. Dimensional specifications are provided for planning purposes only. For complete details see installation instructions that accompany each product before selecting cabinetry, making cutouts or beginning installation.