

MS24

FEATURES

- Gourmet mode cooks automatically from preset recipes
- Quick-start controls for popular items
- "Keep Warm" mode
- Use freestanding or built into cabinetry
- Sleek, black glass design
- 1200 watts of power
- Rigorously tested in our U.S. manufacturing facilities for decades of use
- Exceptional 24/7 support from our Customer Care team in Madison
- Installs standard or flush inset

ACCESSORIES

- Trim kits to match Wolf ovens
- Accessories available through an authorized Sub-Zero dealer. For local dealer information, visit subzero-wolf.com/locator.



TRIM OPTIONS

E SERIES STAINLESS



E SERIES BLACK



M SERIES STAINLESS



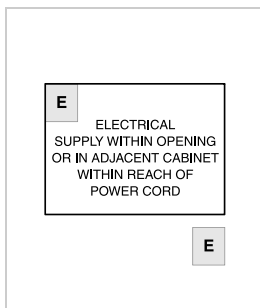
M SERIES BLACK



PRODUCT SPECIFICATIONS

Model	MS24
Weight	50 lb
Electrical Supply	120 VAC, 60 Hz
Electrical Service	15 amp dedicated circuit
Overall Capacity	2 cu ft
Power Cord Length	4 feet
Receptacle	3-prong grounding-type

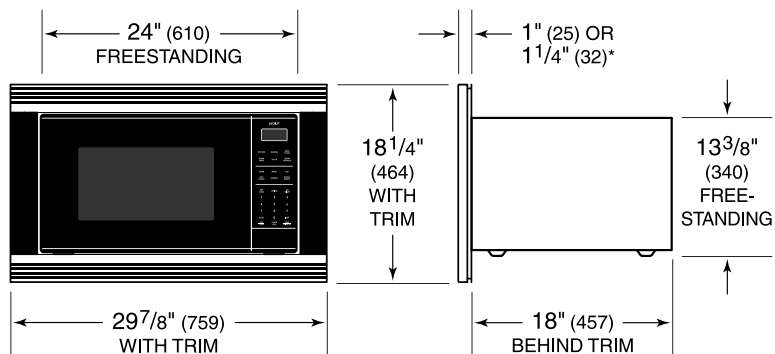
ELECTRICAL



INSTALLATIONS WITH ACCESSORY TRIM

Accessory trim may affect overall product dimensions and opening dimensions. Refer to [Reveal](#) for more information.

DIMENSIONS



*1" (25) for professional and transitional trim and 1 1/4" (32) for contemporary trim.