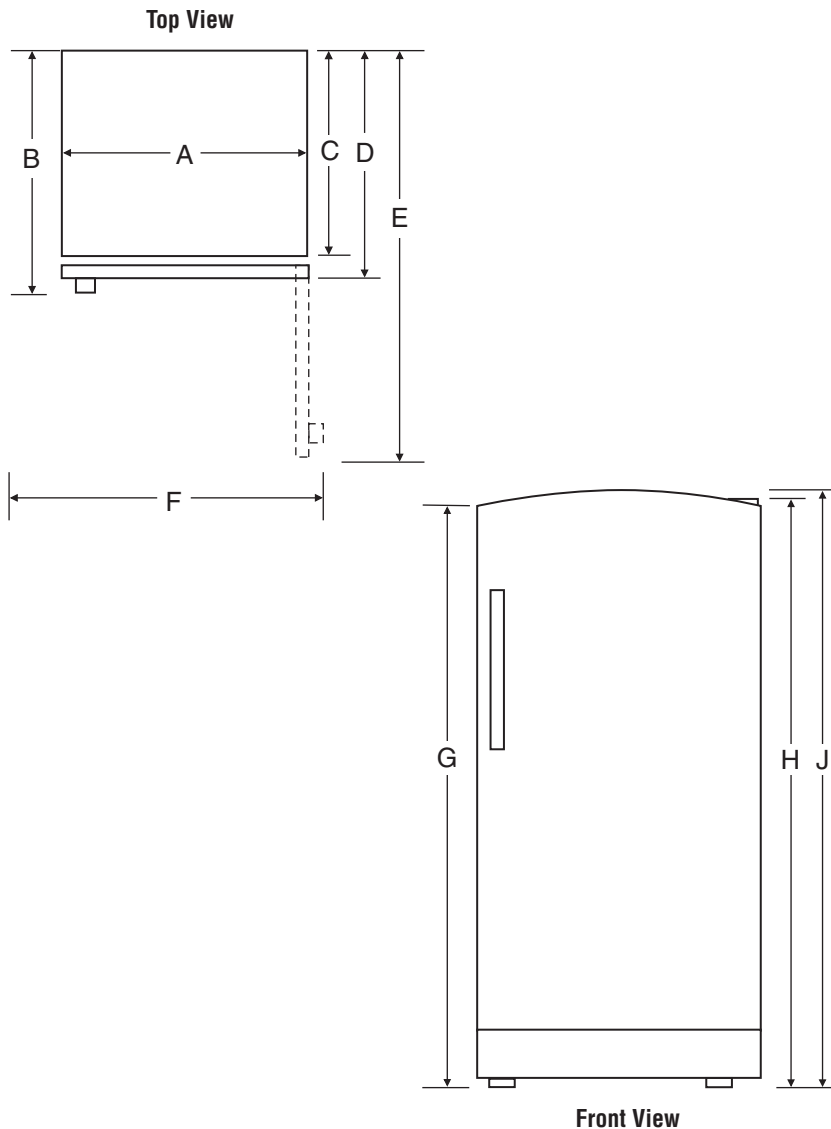




UPRIGHT FREEZER



Style of product may vary from picture

PRODUCT DIMENSIONS

	INCHES	CENTIMETERS
A	30	76.2
B ¹	30 3/8	77.2
C	24 1/2	62.2
D ²	29 1/4	74.3
E ³	55 5/8	141.3
F ⁴	32	81.3
G ⁵	60	152.4
H ⁶	60 5/8	154.0
J	61	154.9

MODEL SKU_s

MQU1654BEW

NOTES:

1. Depth with doors closed, including handle.
2. Depth with doors closed, excluding handle.
3. Depth with doors open at 90 degrees.
4. Width with doors open at 90 degrees, including handles.
5. Height to top of freezer
6. Height to top of freezer including door hinge.
7. Height to top of freezer door trim (if needed for trim models).
8. When installing freezer in or near a corner, allow 3" / 7.6 cm (hinge side) for door to open without interfering with cabinet drawers or hardware.
9. Air clearance requirement for sides and top - 3", for back allow 1".

Electrical requirements: Adequately wired individual 120V A/C, 60Hz approved electrical circuit. Use required fuse (15 amp) or comparable circuit breaker.

Important: Because of continuing product improvements, Maytag reserves the right to change specifications without notice. Dimensional specifications are provided for planning purposes only. For complete details see installation instructions that accompany each product before selecting cabinetry, making cutouts or beginning installation.