

# Fresh Living Tip

Looking for extra refrigeration storage in a slim 15" footprint? This compact all refrigerator accommodates items of various heights and can store as many as four 12-packs.

## FINISH OPTIONS



## 15" Marvel Outdoor Refrigerator

MORE215

### Storage Adaptability

- 2.7 cu. ft. capacity stores (70) 12-oz cans
- (2) cantilevered, fully adjustable FreshFlo commercial-grade stainless steel glide-out shelves

### Cooling Performance

- Designed for outdoor use
- Dynamic cooling technology delivers rapid cool down, frost-free operation and precise temperature stability
- Proprietary shelving design plus perforated FreshFlo openings allow for cool air to circulate throughout cabinet for temperature consistency from top to bottom
- Thermal-efficient cabinet ensures optimum preservation and energy efficiency while maximizing capacity
- Sound-buffering design

### Convenient Controls

- Multifunction controls allow you to select a precise cabinet temperature from 34° F to 60° F
- Features easy-to-use settings and options

### Fit & Finish

- Corrosion-resistant stainless steel exterior, sturdy pro-style handle and rugged stainless steel toe kick
- Bright arctic white interior easily wipes clean
- Efficient arctic white LED lighting brightly illuminates interior for better viewing of contents
- Reversible door allows for right or left swing for adaptable installation
- Stainless steel toe kick adjustable to 4" with leveling legs
- Door lock provides added safety and security

### Warranty

- 1-year parts and labor warranty and 5-year sealed system parts warranty



*Ultra-durable stainless steel shelves glide out for convenient access and feature an exclusive FreshFlo design to ensure optimum air circulation. And, a built-in door lock provides added safety and security.*

#### DOOR STYLE

Solid Stainless Steel

#### MODEL NUMBER

MORE215-SS31A



Thermal-efficient finished cabinet design

Reversible door

Arctic white LED lighting

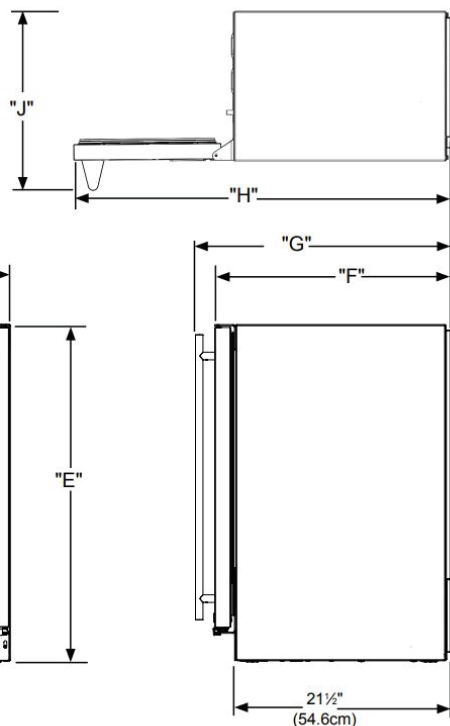
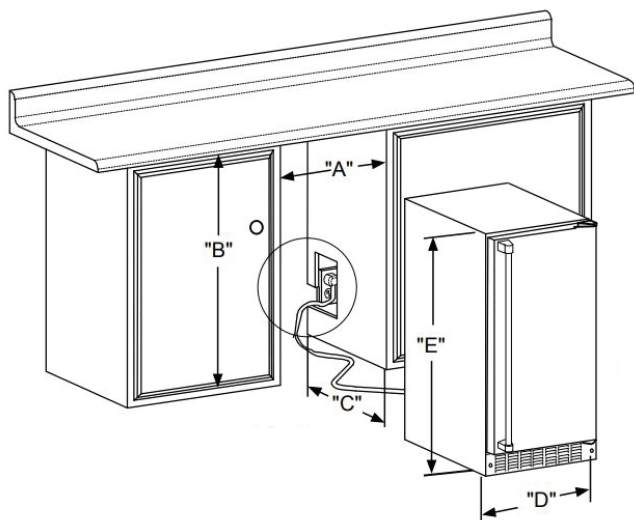
Corrosion-resistant stainless steel exterior

Precise temp control

Cantilevered glide-out shelving



H: 33 3/4" W: 14 7/8" D: 26 7/32" (with handle)



**Rough In Dimensions**

"A"	"B"	"C"
15"	34-1/4" TO 35-1/4"	24"
(38.1 CM)	(87 CM TO 89.5 CM)	(61 CM)

**Cabinet Dimensions**

"D"	"E"	"F"	"G"	"H"	"J"
14-7/8"	33-5/8" TO 34-5/8"	23-5/8"	25-3/8"	38-3/4"	17-1/2"
(37.8 CM)	(85.4 CM TO 87.9 CM)	(60 CM)	(64.4 CM)	(98.4 CM)	(44.4 CM)

<b>Capacity</b>	2.7 CU. FT.
<b>Control Type</b>	Electronic
<b>Sabbath Mode</b>	Yes
<b>Temperature Range</b>	34°F to 60°F
<b>Handle Style</b>	Professional
<b>Door Swing</b>	Reversible
<b>Interior Lighting</b>	White LED
<b>Shelving System</b>	Cantilevered, Smooth-Glide
<b>Toe Grille Finish</b>	Stainless Steel

<b>Lock</b>	Yes
<b>Electrical Requirements</b>	115V / 60 Hz / 15A
<b>Cord Length</b>	6 FT.
<b>Shipping Dimensions</b>	19" W x 31" D x 37" H
<b>Shipping Weight</b>	125 LBS
<b>Agency Approval</b>	UL
<b>Refrigerant Type</b>	R600a

For comprehensive installation instructions, please visit [marvelrefrigeration.com](http://marvelrefrigeration.com) to access the owner's guide.

