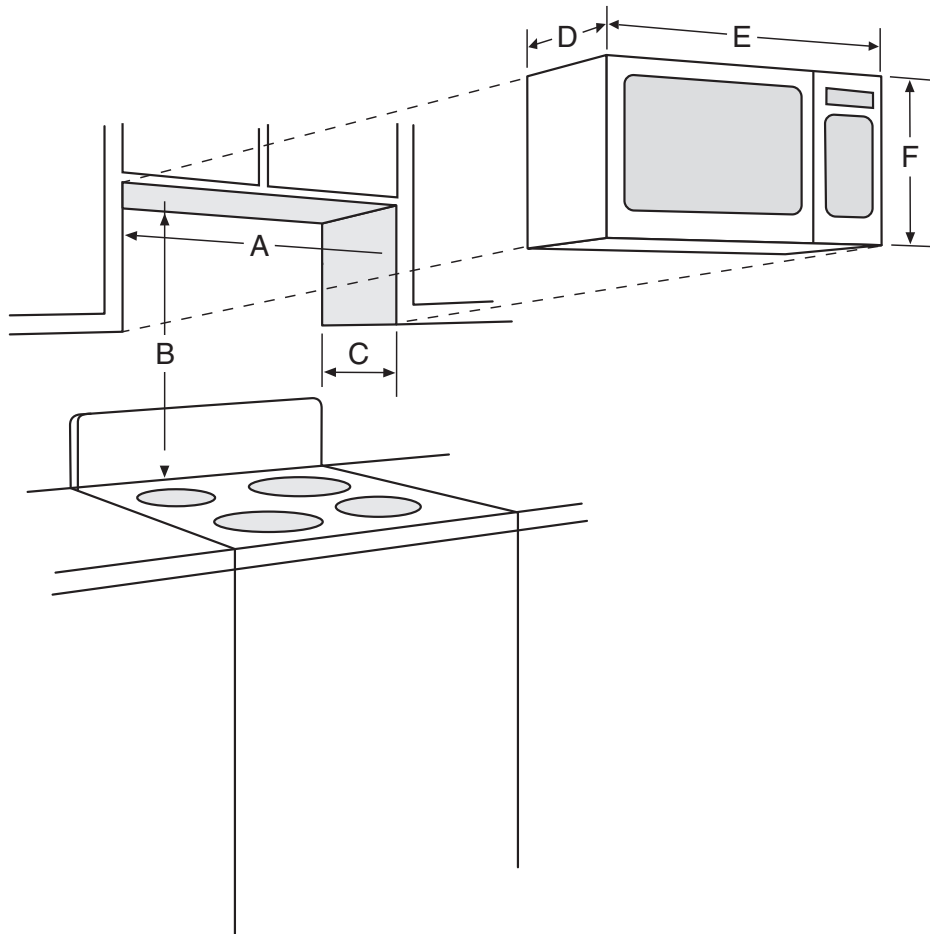




## OVER-THE-RANGE MICROWAVE



*Style of product may vary from picture*

### PRODUCT DIMENSIONS

	INCHES	CENTIMETERS
A	30	76.2
B	30	76.2
C	13	33.0
D	15 1/4	38.7
E	29 7/8	75.9
F	16 1/2	41.9

### MODEL SKU<sub>s</sub>

MMV5165BAW

MMV5165BAB

MMV5165BAS

### NOTES:

1. Range backguard to bottom of the microwave is to be a minimum of 2" apart.
2. Mount the oven against a flat, vertical wall, so it is supported by the wall. The wall should be constructed of minimum 2" x 4" wood studding and 3/8" thick drywall or plaster/lath.
3. ATTACH AT LEAST ONE of the two lag screws supporting the oven to a vertical, 2" x 4" wall stud.
4. DO NOT mount the microwave oven to an island or peninsula cabinet.
5. BE SURE the upper cabinet and rear wall structures are able to support 150 lbs., plus the weight of any items you place inside the oven or upper cabinet.
7. Locate the oven away from strong draft areas, such as windows, doors, and strong heating vents.
8. This microwave oven can be installed over gas or electric cooking products.
9. Use the optional filler kit UXA3036ADW/Q/B/S when installing an over-the-range microwave in a 36" opening.

**Electrical requirements:** Adequately wired individual 120V A/C, 60Hz approved electrical circuit. Use required fuse (15 amp) or comparable circuit breaker.

**Important:** Because of continuing product improvements, Maytag reserves the right to change specifications without notice. Dimensional specifications are provided for planning purposes only. For complete details see installation instructions that accompany each product before selecting cabinetry, making cutouts or beginning installation.