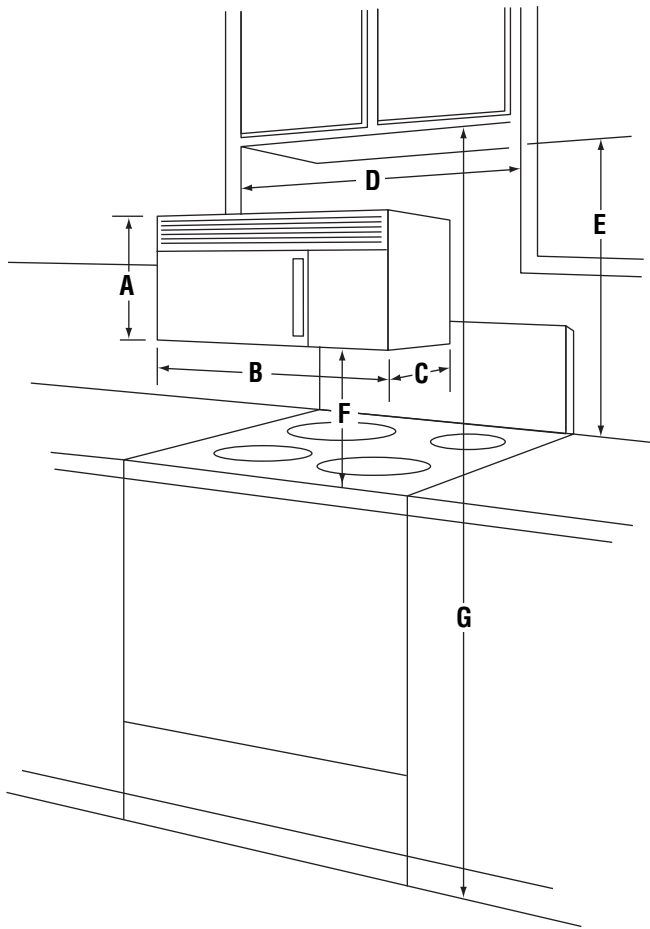




## OVER-THE-RANGE MICROWAVE OVEN

UMV1152, MMV1153



### Dimensions

■	Inches	Centimeters
A	16 7/16	41.7
B	29 15/16	76.1
C	15 5/8	39.1
D	30 minimum	76.2 minimum
E	30	76.2
F	13 9/16	34.4
G	66 <sup>1</sup>	167.6

#### Notes:

1. Minimum clearance required.
2. Unit is preset for recirculating ventilation. Unit may be set for vertical outside ventilation. Duct size is 3 1/4" x 10".  
Replacement filter, order Part No. MVHRK4 from your Maytag Parts Distributor.

These appliances have been designed in accordance with the requirements of various safety agencies and comply with the maximum allowable wood cabinet temperatures of 194 degrees F. If these appliances are installed with cabinets that have a lower working temperature than 194 degrees F, discoloration, delamination or melting may occur.

**Important:** Because of continuing product improvements, Maytag® reserves the right to change specifications without notice. Dimensional specifications are provided for planning purposes only. For complete details see installation instructions that accompany each product before selecting cabinetry, making cutouts or beginning installation.