

# MMD30, MMDV30

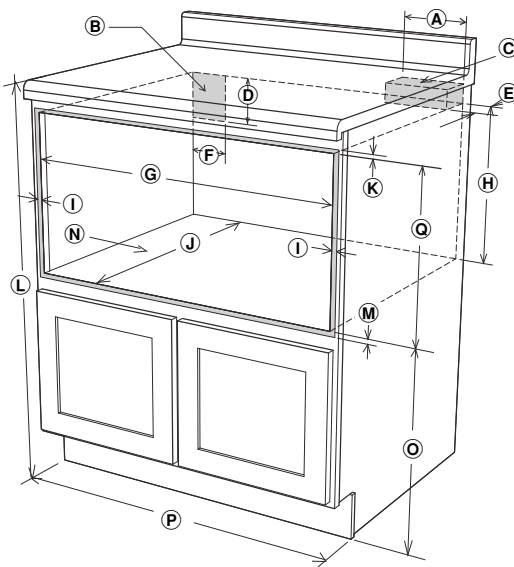


041007

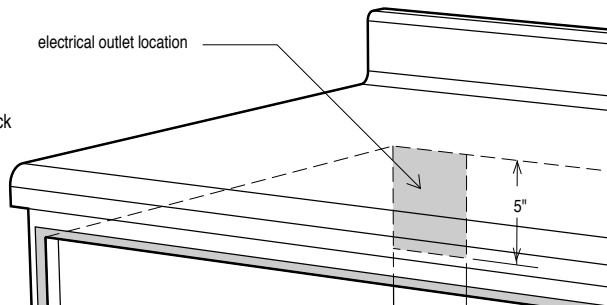
## 30" Microwave In-A-Drawer™

1/1

## PLANNING GUIDE



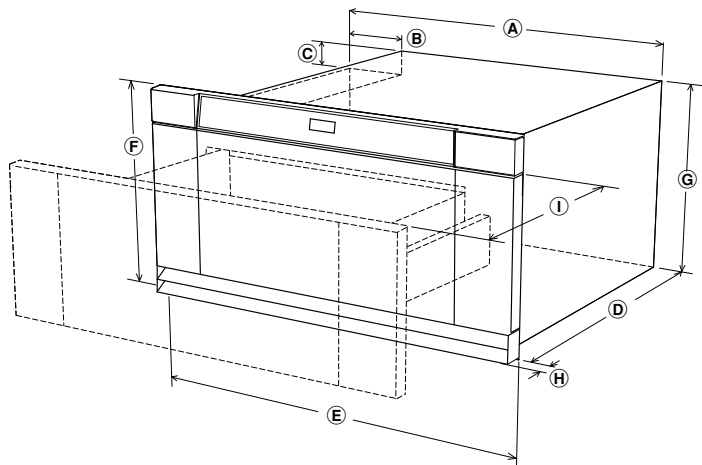
- A. 6"
- B. Electrical outlet location
- C. Anti-Tip block
- D. 5"
- E. 3 1/2"
- F. 4"
- G. 28 7/16" opening
- K. Allow 1/4" overlap
- H. 14 3/4" to bottom of Anti-Tip block
- I. Allow 3/4" overlap
- J. 23 1/2" minimum depth
- Q. 15 3/16" ± 1/16" opening
- L. 36" countertop height
- M. Allow 7/16" overlap
- N. Floor must support 100 lbs.
- O. 19" to top of floor
- P. \*30" cabinet minimum



**ELECTRICAL UTILITY LOCATION**

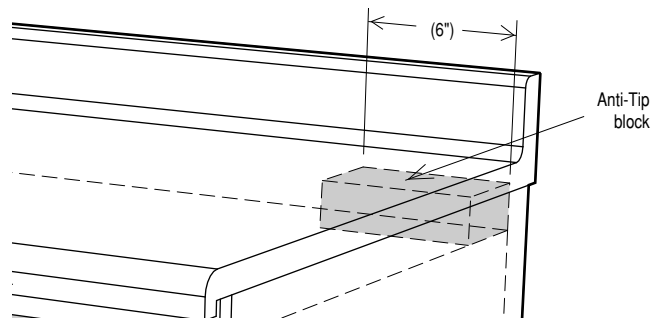
NOTE: Open Top Cabinet illustrated

### CUTOUT DIMENSIONS



- A. 28 1/8"
- D. 23 3/8"
- G. 15 1/16"
- B. 4 11/16"
- E. 30"
- H. 1 1/4" door thickness
- C. 2"
- F. 15 5/8"
- I. 13 5/8" auto drawer opening

### OVERALL DIMENSIONS



**ANTI-TIP BLOCK LOCATION**

Model No.	Dedicated Circuit Required	Total Connected Load	Approximate Shipping Weight
MMD30 MMDV30	120VAC, 60Hz, 15A (Breaker)	1.56kW (13A)	128 lbs.