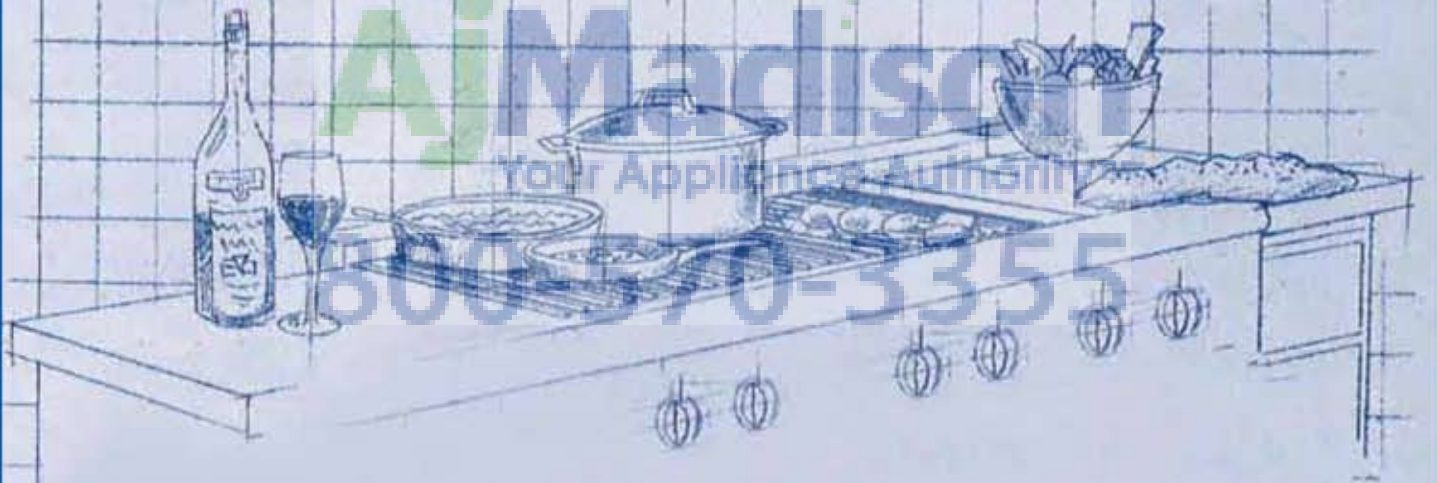


A technical drawing of a range hood, showing its curved top and mounting hardware. The drawing is set against a grid background.

Prizer Hoods



INSTALLATION INSTRUCTIONS

Metal Liners

TABLE OF CONTENTS

IMPORTANT SAFETY INSTRUCTIONS	2
SAFETY PROCEDURES	3
PRECAUTIONS FOR RECEIVING AND STORING HOOD	3
INSTALLATION PLANNING	4
TRANSITION INSTALLATION & REMOVAL	5
INSTALLING METAL LINERS	6
ELECTRICAL CONNECTIONS	7
<hr/>	
CFM300 FAN - WALL APPLICATION - 6" ROUND COLLAR	8
CFM600 FAN - WALL APPLICATION - 8" ROUND COLLAR	9
CFM1200 FAN - WALL APPLICATION - 10" TRANSITION	10
<hr/>	
COMPACT METAL LINER SLOPED SIDES (CMLSS)	11
METAL LINER SLOPED SIDES (MLSS)	12
PROFESSIONAL METAL LINER SLOPED SIDES (PMLSS)	13
METAL LINER FLAT SIDES (MLFS)	14
METAL LINER SLOPED SIDES - ISLAND (MLSS-I)	15
<hr/>	
WIRING DIAGRAM FOR METAL LINERS	16
HOOD FEATURES	17
BAFFLE FILTERS - GREASE TROUGHS - HALOGEN LIGHTS	18
CLEANING RECOMMENDATIONS	19
TROUBLE-SHOOTING TIPS	20

**PLEASE READ COMPLETE INSTRUCTIONS BEFORE PROCEEDING.
INSTALLATION MUST COMPLY WITH ALL LOCAL CODES.**

IMPORTANT: Save these instructions for the Local Electrical Inspector's use.
INSTALLER: Please leave these instructions with this unit for the owner.
OWNER: Please retain these instructions for future reference.
SAFETY Turn power circuit OFF at the service panel and lock panel door
WARNING: before wiring this unit.

IMPORTANT SAFETY INSTRUCTIONS

CAUTION - TO REDUCE THE RISK OF FIRE, ELECTRIC SHOCK, OR INJURY TO PEOPLE, OBSERVE THE FOLLOWING:

1. Use this rangehood only in the manner intended by the manufacturer. If you have any questions, contact the manufacturer - Prizer Hoods.
2. Before servicing or cleaning the unit, switch power off at service panel and lock the service disconnecting means to prevent power from being switched on accidentally. When the service disconnecting means cannot be locked, attach a tag to the service panel to indicate power has been switched off for maintenance.
3. Install this rangehood only with remote fan models rated maximum 12.8A or in-hood fans manufactured by Prizer Hoods, models CFM300, CFM600, CFM1200.

CAUTION - TO REDUCE THE RISK OF A RANGETOP GREASE FIRE:

1. Never leave cooktop surface unattended while on high setting.
Boilovers cause smoke and greasy spillovers may ignite. Heat oils slowly on low or medium settings.
2. Hood fan should always be ON when cooking on high heat or when flambeing foods (i.e. Crepes Suzette, Cherries Jubilee, Peppercorn Beef Flambe.)
3. Clean in-hood fans frequently. Do not allow grease to accumulate on fan or baffle filters.
4. Always use cookware appropriate for the size of the surface element.

CAUTION - TO REDUCE THE RISK OF INJURY TO PEOPLE, IN THE EVENT OF A RANGETOP GREASE FIRE, OBSERVE THE FOLLOWING:

1. SMOTHER FLAMES with a tight-fitting lid, cookie sheet, or other metal tray. Immediately turn the gas burner OFF.
2. PREVENT BURNS. If gas flames do not extinguish immediately; EVACUATE AND CALL THE FIRE DEPARTMENT.
3. NEVER PICK UP A FLAMING PAN as you may sustain burns.
4. NEVER USE WATER, wet dish-cloths or towels as a violent steam explosion will occur.
5. Use fire extinguisher ONLY if:
 - You know you have a class ABC extinguisher, and you already know how to operate it.
 - The fire is small and contained in the area where it started.
 - The fire department is being called.
 - You can fight the fire with your back to an exit.

CAUTION: FOR GENERAL VENTILATION USE ONLY. DO NOT USE TO EXHAUST HAZARDOUS OR EXPLOSIVE MATERIALS OR VAPOR.

SAFETY PROCEDURES FOR INSTALLING YOUR NEW PRIZER HOOD (continued)

CAUTION - TO REDUCE THE RISK OF FIRE, ELECTRIC SHOCK, OR INJURY TO PEOPLE, OBSERVE THE FOLLOWING:

CAUTION - FOR GENERAL VENTILATION USE ONLY. DO NOT USE TO EXHAUST HAZARDOUS OR EXPLOSIVE MATERIALS OR VAPORS.

- A. Installation work and electrical wiring must be done by a qualified installer in accordance with all applicable codes and standards, including fire rated construction.
- B. Sufficient air is needed for proper combustion and gas exhaustion through the flue (duct cover) of fuel burning cooktop to prevent backdrafting. Follow the equipment manufacturer's

guidelines and safety standards such as those published by the National Fire Protection Association (NFPA), and the American Society for Heating, Refrigeration and Air Conditioning Engineers (ASHRAE), and the local code authorities.

- C. When cutting/drilling into a wall or ceiling, avoid damage to electrical wiring and other hidden utilities.
- D. In-hood or in-line fans must be vented to the outdoors.
- E. If a ventilation unit is to be installed over a tub or shower, it must be marked as appropriate for the application and be connected to a GFCI (Ground Fault Circuit Interrupter) - protected branch circuit.

F. NEVER place a control switch where it can be reached from a tub or shower.

G. CAUTION - TO REDUCE THE RISK OF FIRE WITHIN WALLS OR ROOFS, USE ONLY METAL DUCTWORK.

H. Install this hood in accordance with all requirements specified by the manufacturer of your cooktop/range.

I. Install this hood using required clearance from cooking surface to combustible material specified in cooktop installation instructions.

800-570-3355

READ AND SAVE

UPON RECEIVING YOUR HOOD...

- The high degree of craftsmanship in the construction and finish of your hood requires careful handling to ensure proper installation.
- Do not remove your hood from its carton until you are ready to hang it.
- Do not store your hood anywhere other than within the carton. If it is necessary to remove your hood from the carton, place it on a blanket or padded area that will protect your hood from scratches or indentations.
- Do not lift the hood by its utensil rail. Place your fingers under the lower reveal of the hood. Grasp firmly and lift.
- Wearing cotton gloves are preferred. They will protect the surface from fine scratches and eliminate fingerprints.
- Remove all rings, watches, belt buckles, and jackets (snaps-zippers) to prevent scratches on the hood.
- If applicable, do not remove the cotton flannel from your hood until the installation process is complete. It will be necessary to remove only a small portion on the back-side for a wall mounted hood in order to position in place.
- Located within the hood cavity (behind the baffle filters) are component parts and halogen bulbs.

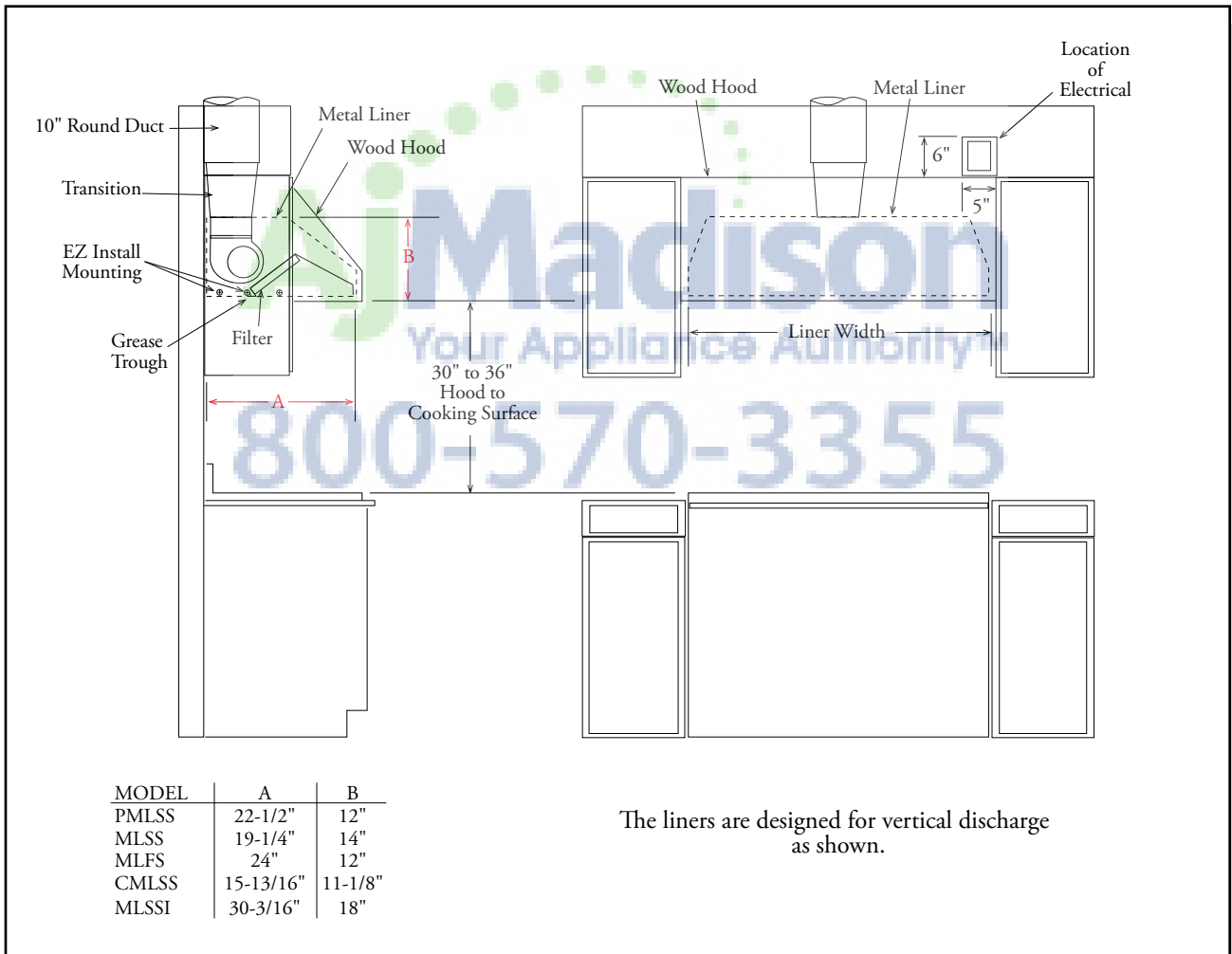
INSTALLATION PLANNING & LAYOUT

CHECK LOCATION

- If your installation has been roughed-in (including ductwork and wiring), be certain there is nothing in the way of the mounting, pipes, other wiring etc.
- If the installation has not been roughed in, check what is needed to create the framing and mounting hardware (allthreads, nuts, etc.). Be sure the location will not interfere with wiring, other utilities, or structural considerations.

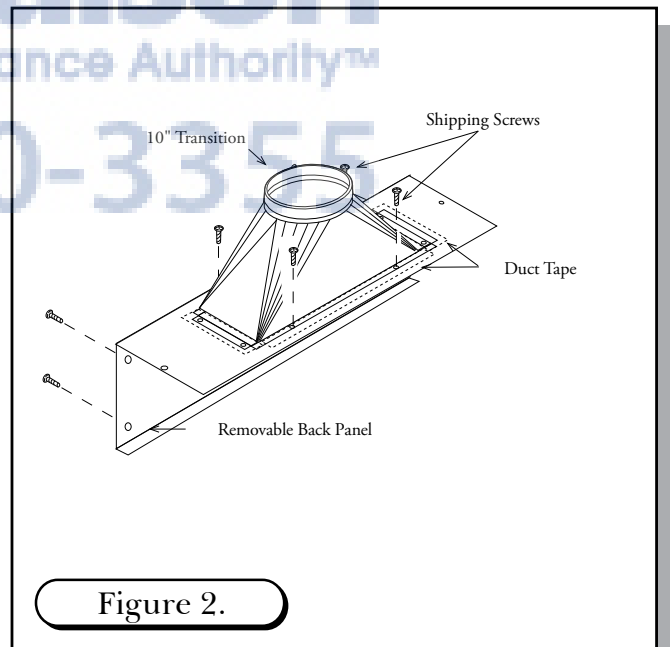
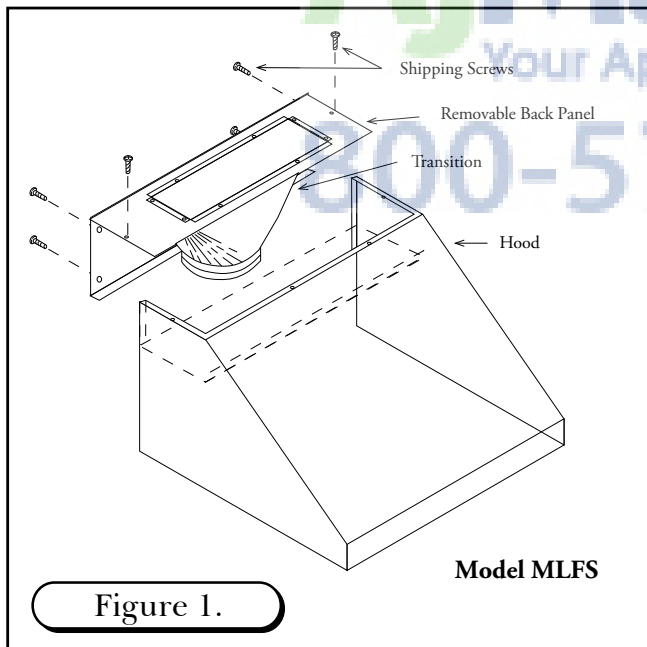
**FOR QUESTIONS REGARDING YOUR INSTALLATION,
PLEASE CALL: 775-688-2268**

METAL LINERS - TYPICAL INSTALLATION



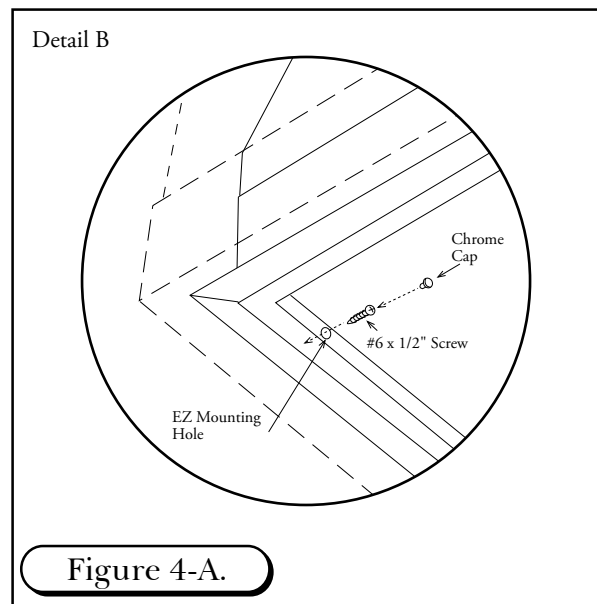
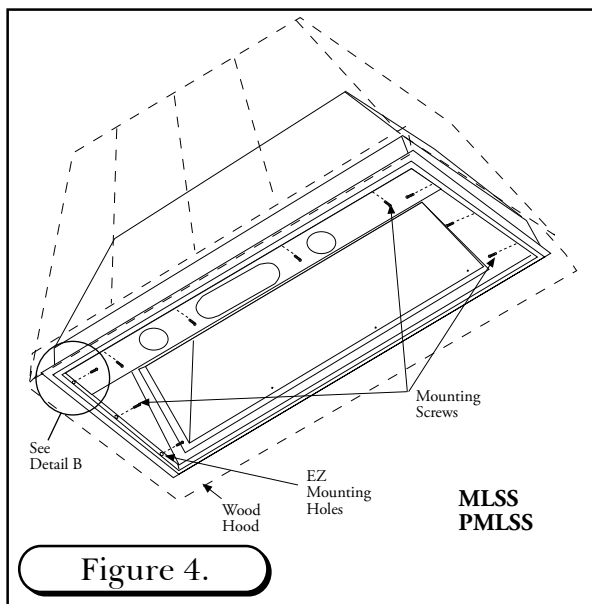
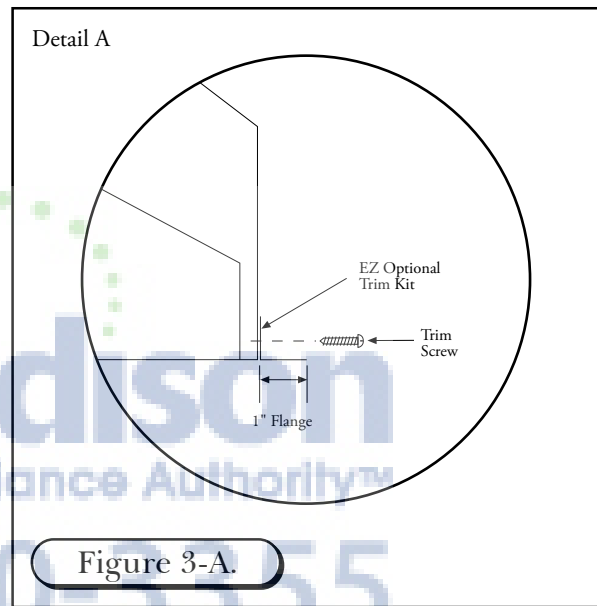
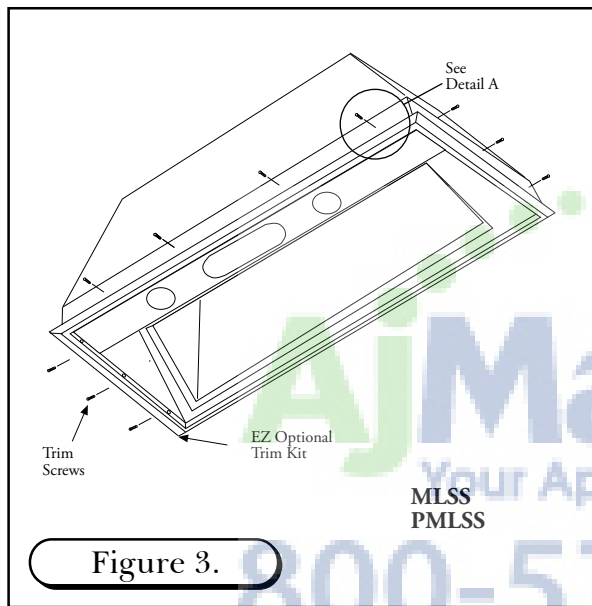
TRANSITION INSTALLATION AND REMOVAL

1. The liner is shipped with the removable back-panel and the transition attached.
2. The transition is shipped upside-down in the liner and must be removed then, re-installed. (see Figure 1.)
3. If an in-hood fan is furnished, the transition is shipped separately. (see Figure 1. and 2.)
4. To detach the removable back-panel and the transition from the liner, remove the four (4) screws on the top and four (4) screws on the back of the liner. (see Figure 1.)
5. Detach the transition from the removable back-panel by removing four (4) screws. The shipping screws will be needed for re-installing the transition to the removable back-panel.
6. Secure the transition to the top of the removable back panel using the four (4) screws provided. Use duct tape to seal the joints of the transition and the top of the removable back panel. (see Figure 2.)
7. Re-install the removable back-panel to the liner itself, then install the liner to the hood shell.



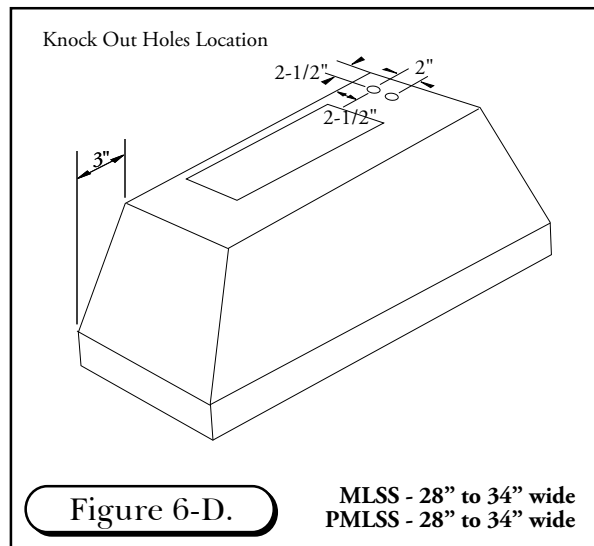
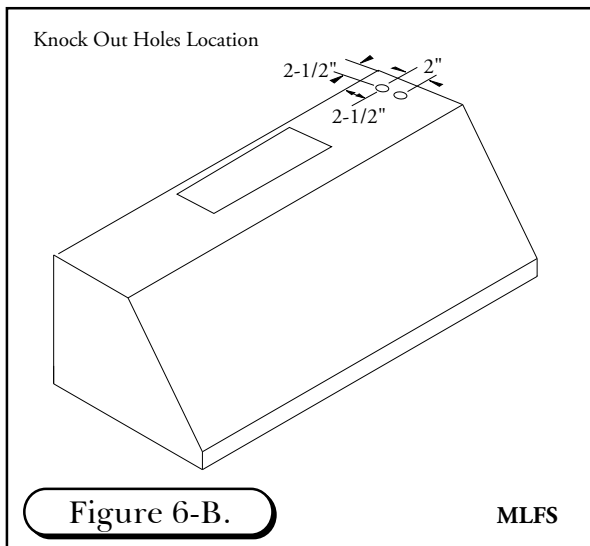
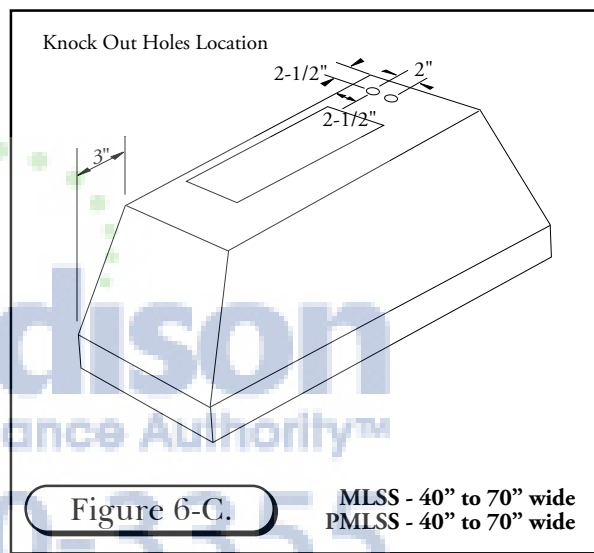
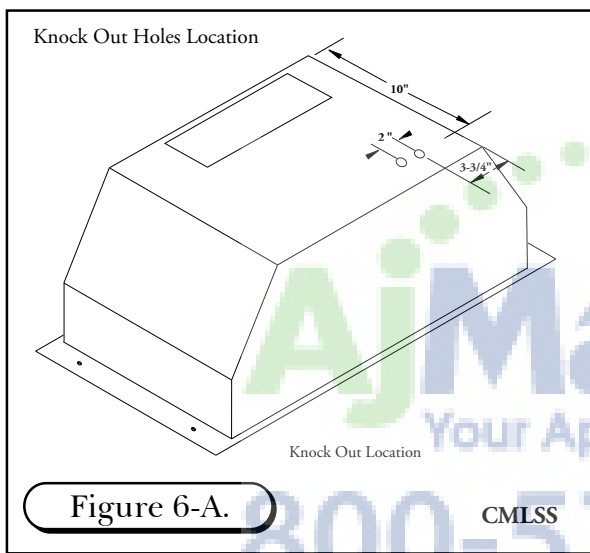
INSTALLING METAL LINERS

1. If the “EZ Optional Trim Kit” will be used, it must be installed prior to mounting the metal liner to the hood shell. Use the provided #8 Phillips head screws. (see Figure 3.)
2. Lift the metal liner into the hood shell. Due to the weight of the liner, 3 or 4 men may be required to hold the liner in place to insure a tight installation.
3. Install #6 x 1/2” screws through the pre-drilled “EZ Optional Trim Kit” mount holes through to the hood shell. Tap the chrome caps into the “EZ Optional Trim Kit” mount holes for a flush appearance. (see Figure 4-A.)
4. Additional mounting fasteners may be used to secure the liner to the back wall and the ceiling. Access for drilling is through the interior of the liner.



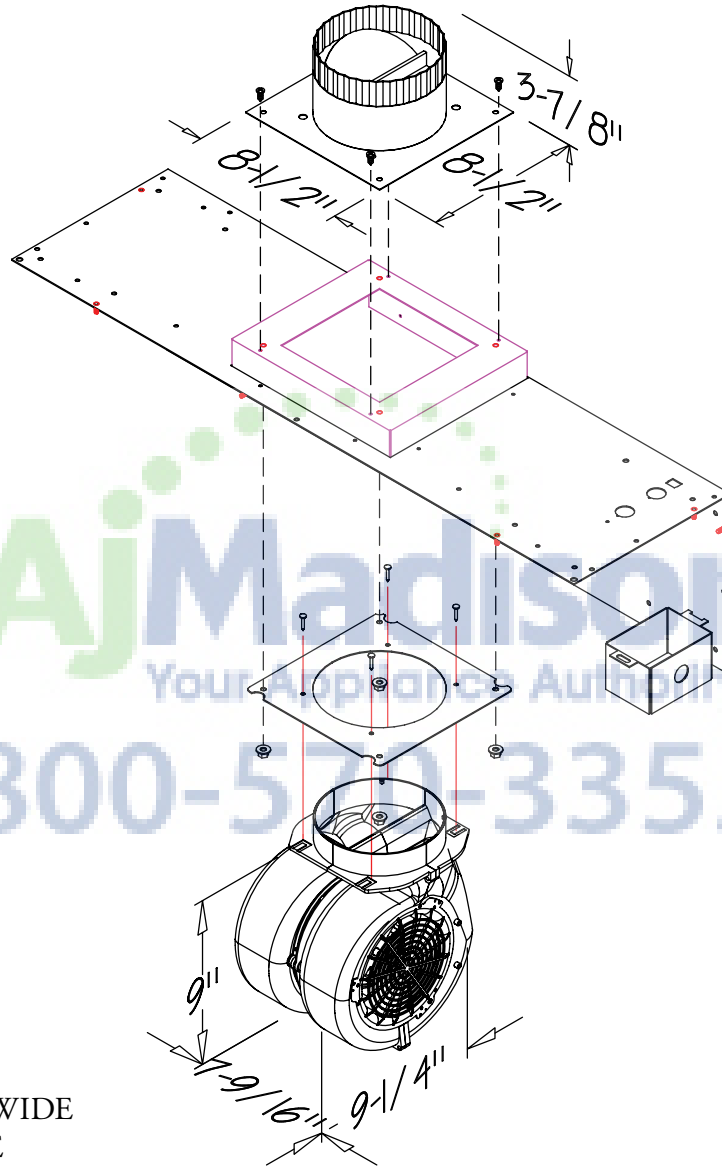
ELECTRICAL CONNECTIONS

1. Install three wires: black, white and green (#16 AWG) in 1/2" conduit from the service panel to the hood junction box. Power supply must be rated for 120v, 60Hz, 15 amps (minimum).
2. Remove junction box and selected knockout. Then install the strain-relief (conduit) connector in the removable back panel. For PMLSS-28" & 34" run power line through single knockout at top and route to junction box mounted on back.
3. Remove the junction box from the removable back panel. Connect black wire to power-supply black wire, white wire to power-supply white wire, and green wire to power-supply green wire.
4. Place all wiring connectors inside junction box and re-install on removable back panel.



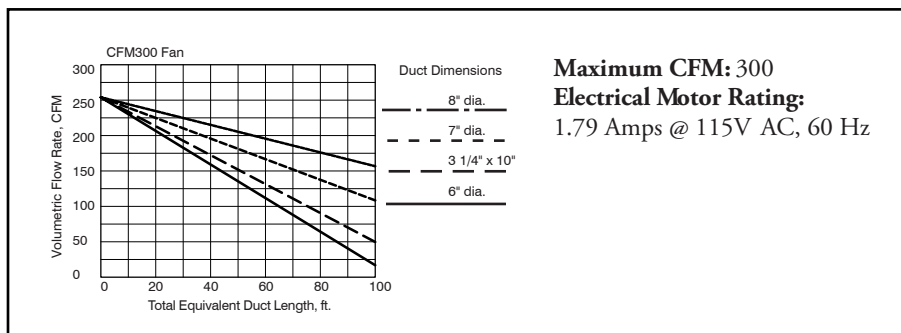
CFM 300 IN-HOOD FAN

WALL APPLICATION - 6" ROUND COLLAR



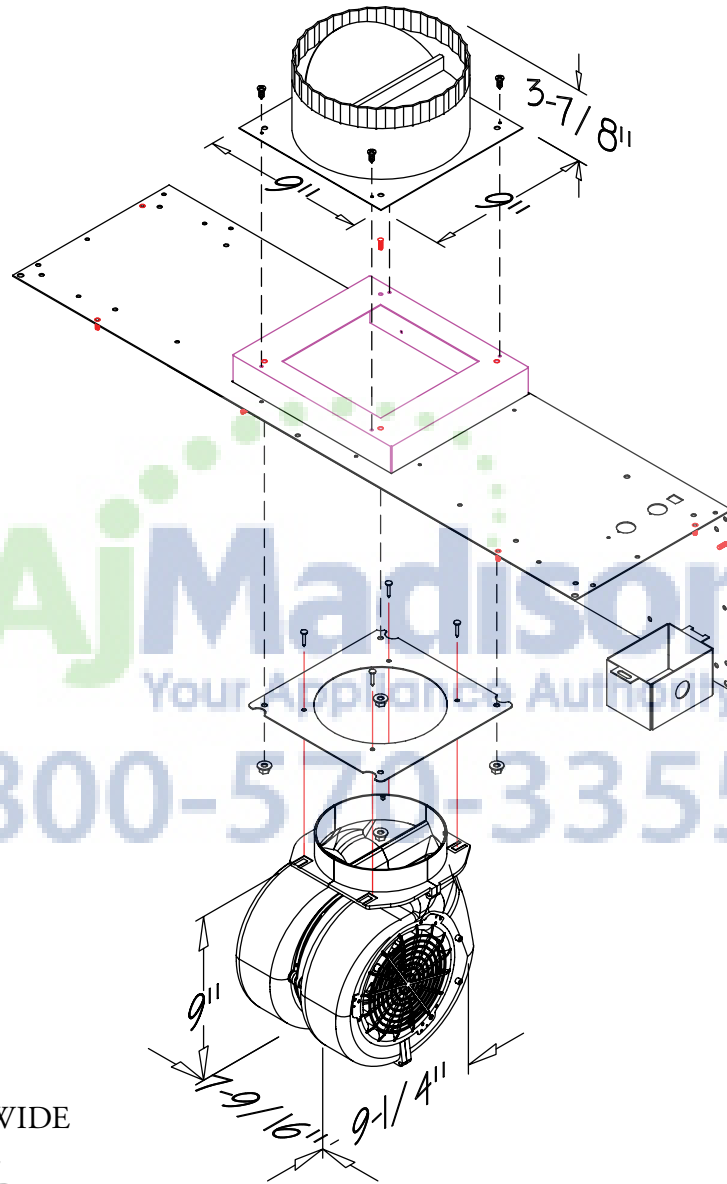
COMPATIBLE WITH:

- LOW PROFILE
- SANTA FE 10" TALL
- PRO METAL LINER 28" WIDE
- METAL LINER 28" WIDE
- COMPACT METAL LINER



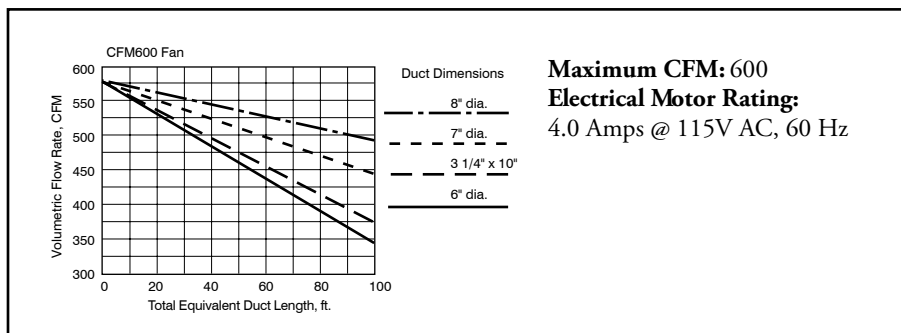
CFM 600 IN-HOOD FAN

WALL APPLICATION - 8" ROUND COLLAR



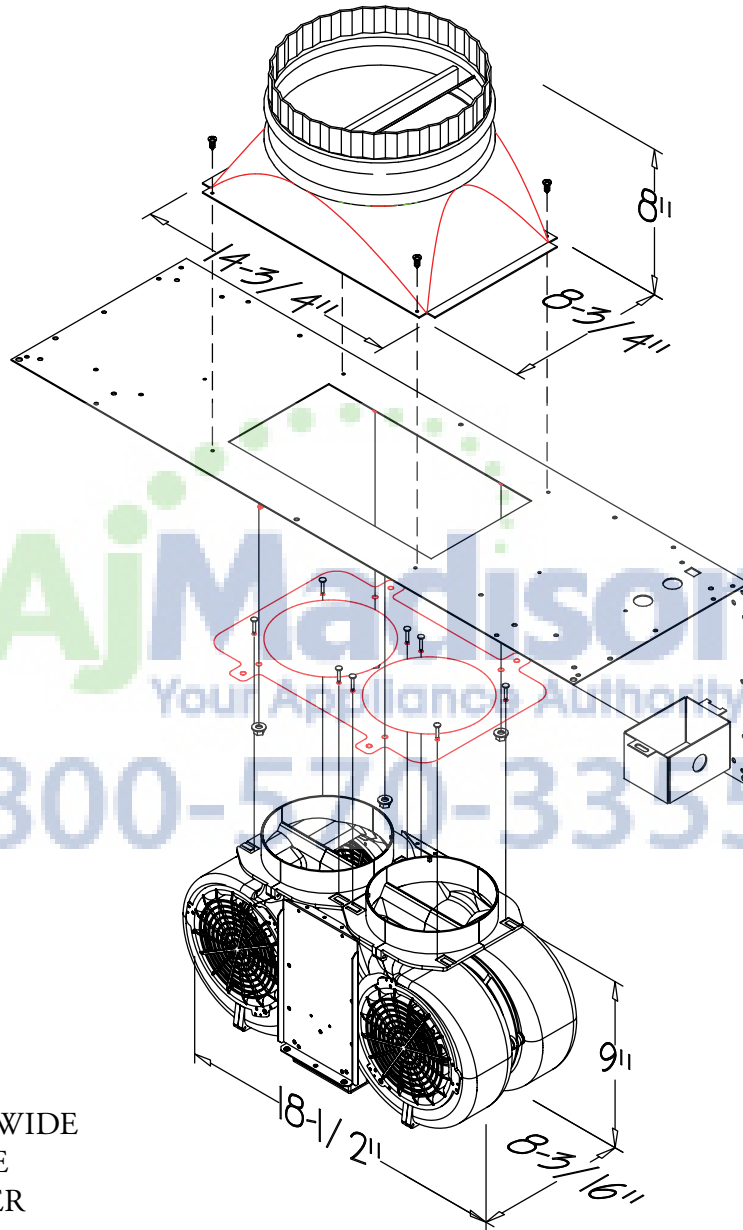
COMPATIBLE WITH:

- LOW PRO-FILE
- SANTA FE 10" TALL
- PRO METAL LINER 28" WIDE
- METAL LINER 28" WIDE
- COMPACT METAL LINER



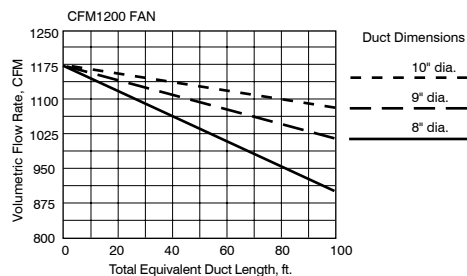
CFM 1200 IN-HOOD FAN

WALL APPLICATION - 10" TRANSITION



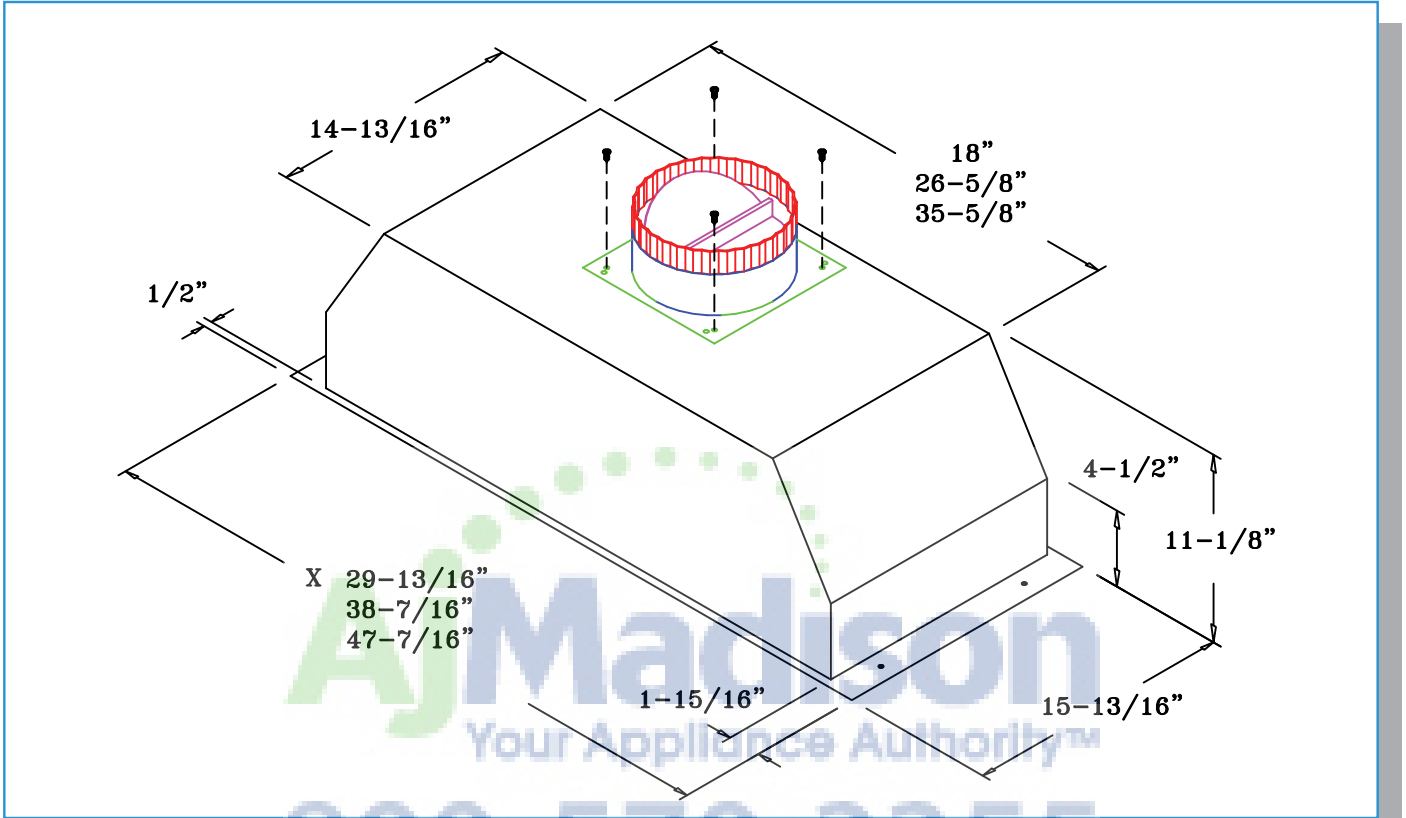
COMPATIBLE WITH:

- LOW PROFILE
- SANTA FE 10" TALL
- PRO METAL LINER 28" WIDE
- METAL LINER 28" WIDE
- COMPACT METAL LINER

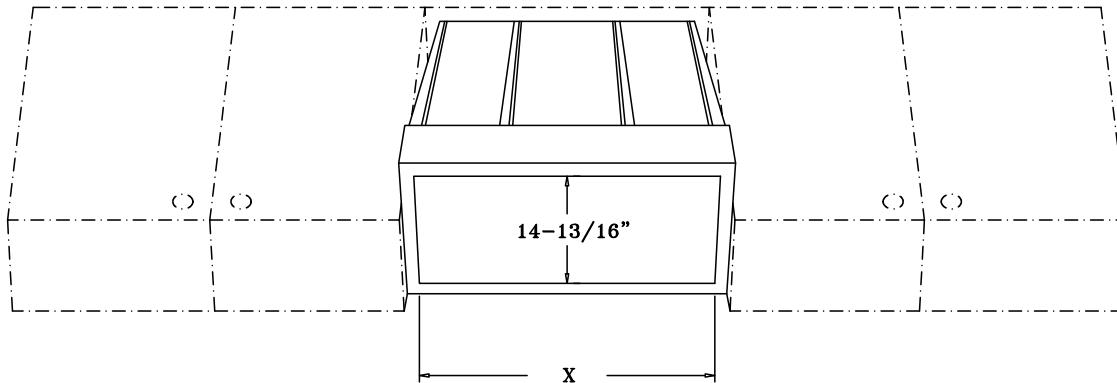


Maximum CFM: 1200
Electrical Motor Rating:
 8.0 Amps @ 115V AC, 60 Hz

COMPACT METAL LINER SLOPED SIDES (CMLSS)

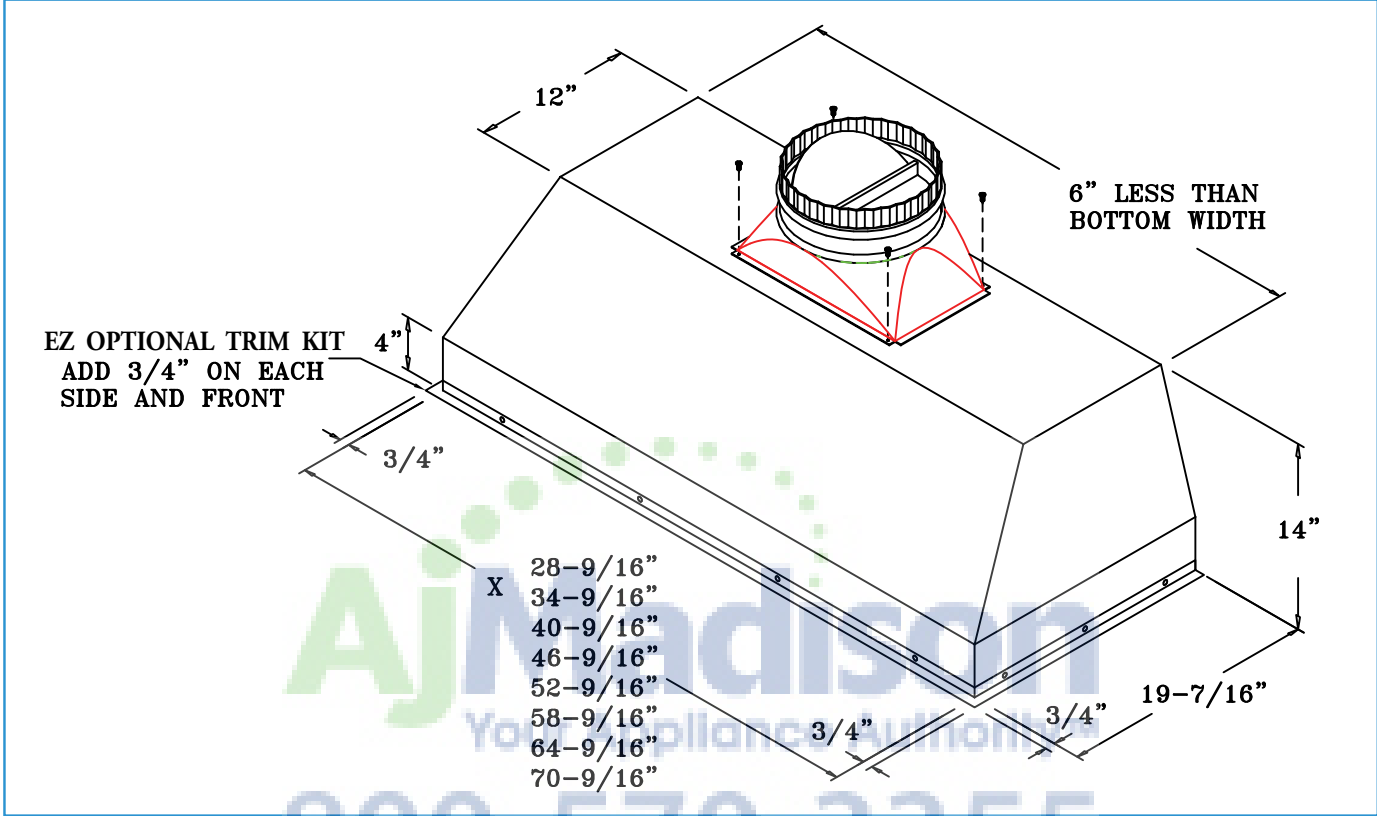


POSITION OF 8" ROUND COLLAR
(TOP VIEW)

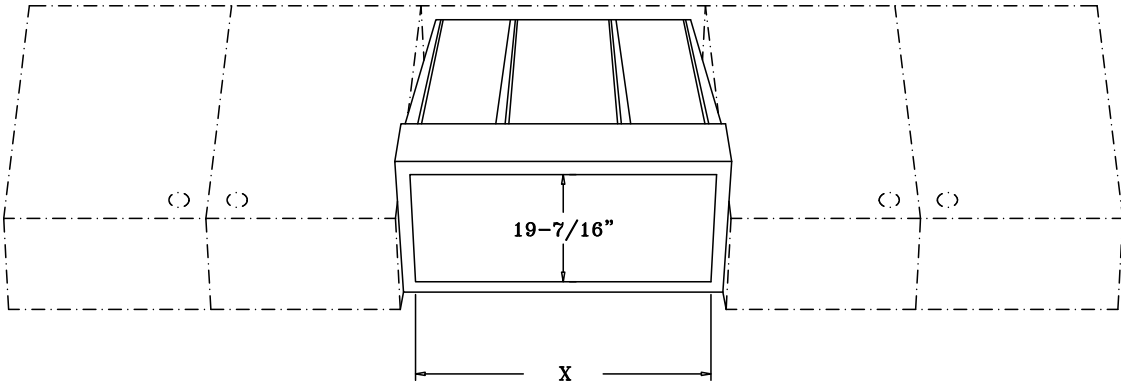


SIZE OF THE CUT OUT
(BOTTOM VIEW)

METAL LINER SLOPED SIDES (MLSS)

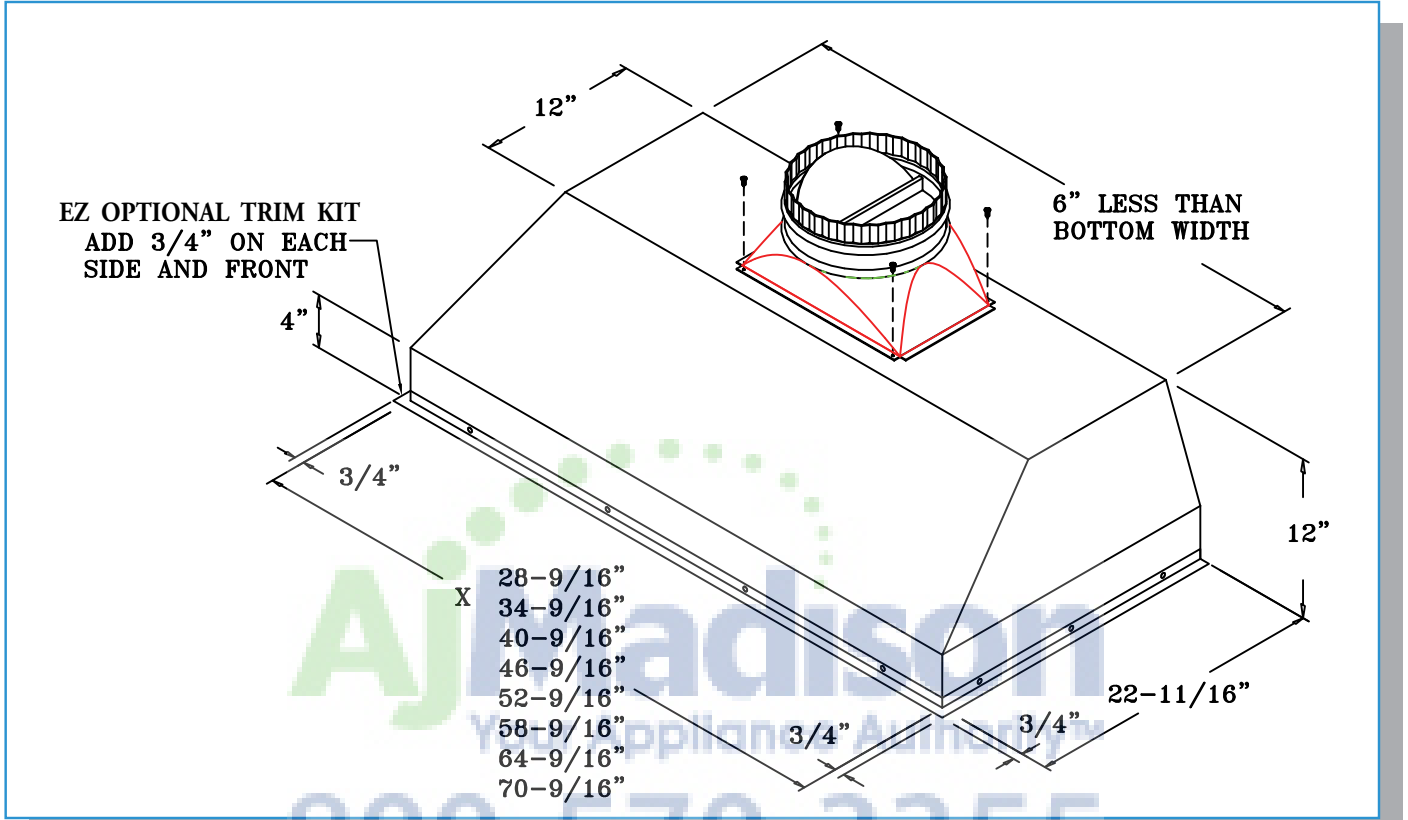


POSITION OF 10"(8") ROUND TRANSITION
(TOP VIEW)

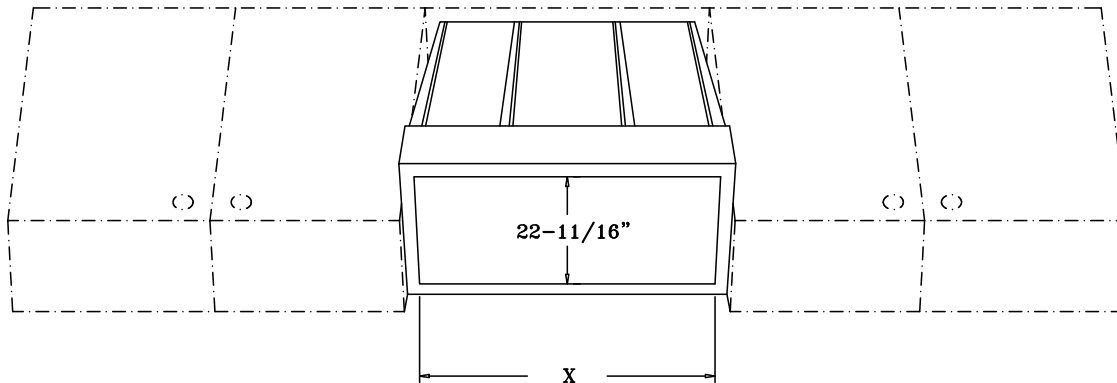


SIZE OF THE CUT OUT
(BOTTOM VIEW)

PROFESSIONAL METAL LINER SLOPED SIDES (PMLSS)

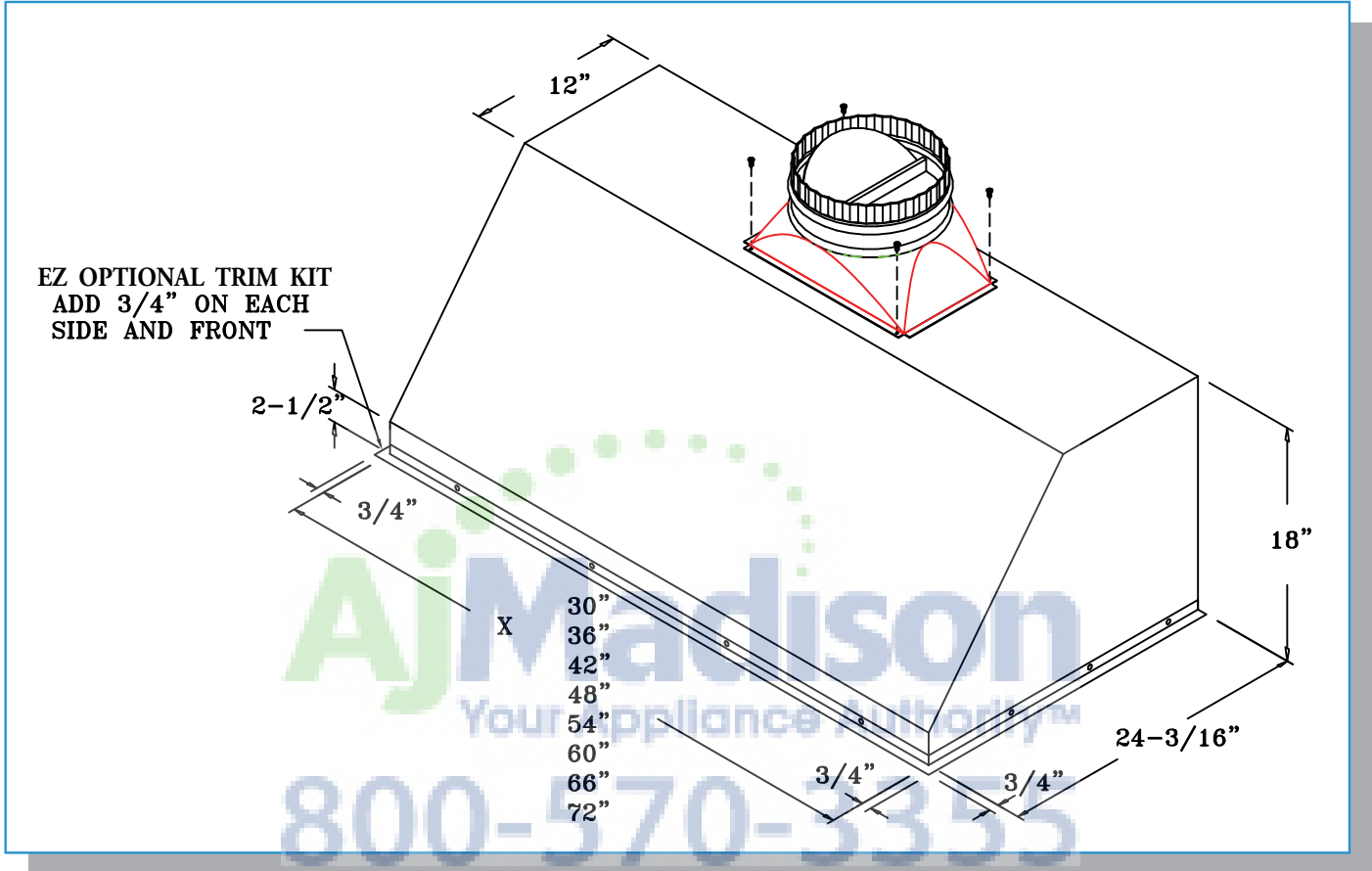


POSITION OF 10"(8") ROUND TRANSITION
(TOP VIEW)

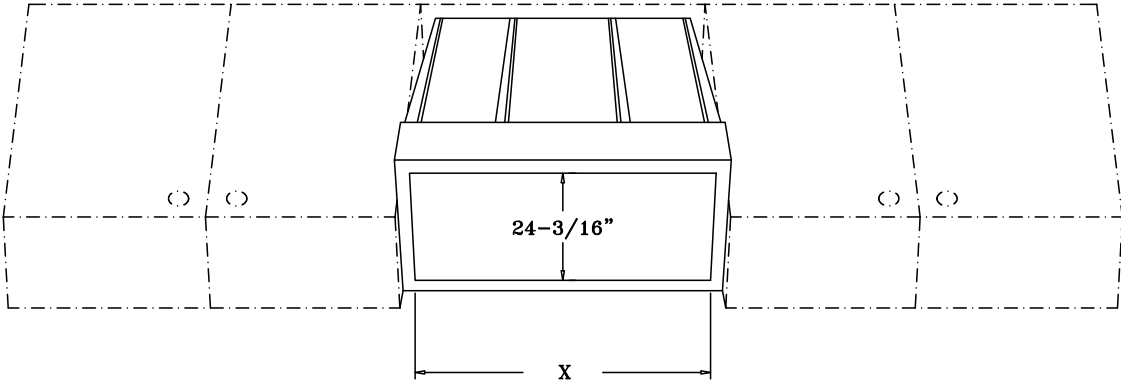


SIZE OF THE CUT OUT
(BOTTOM VIEW)

METAL LINER FLAT SIDES (MLFS)

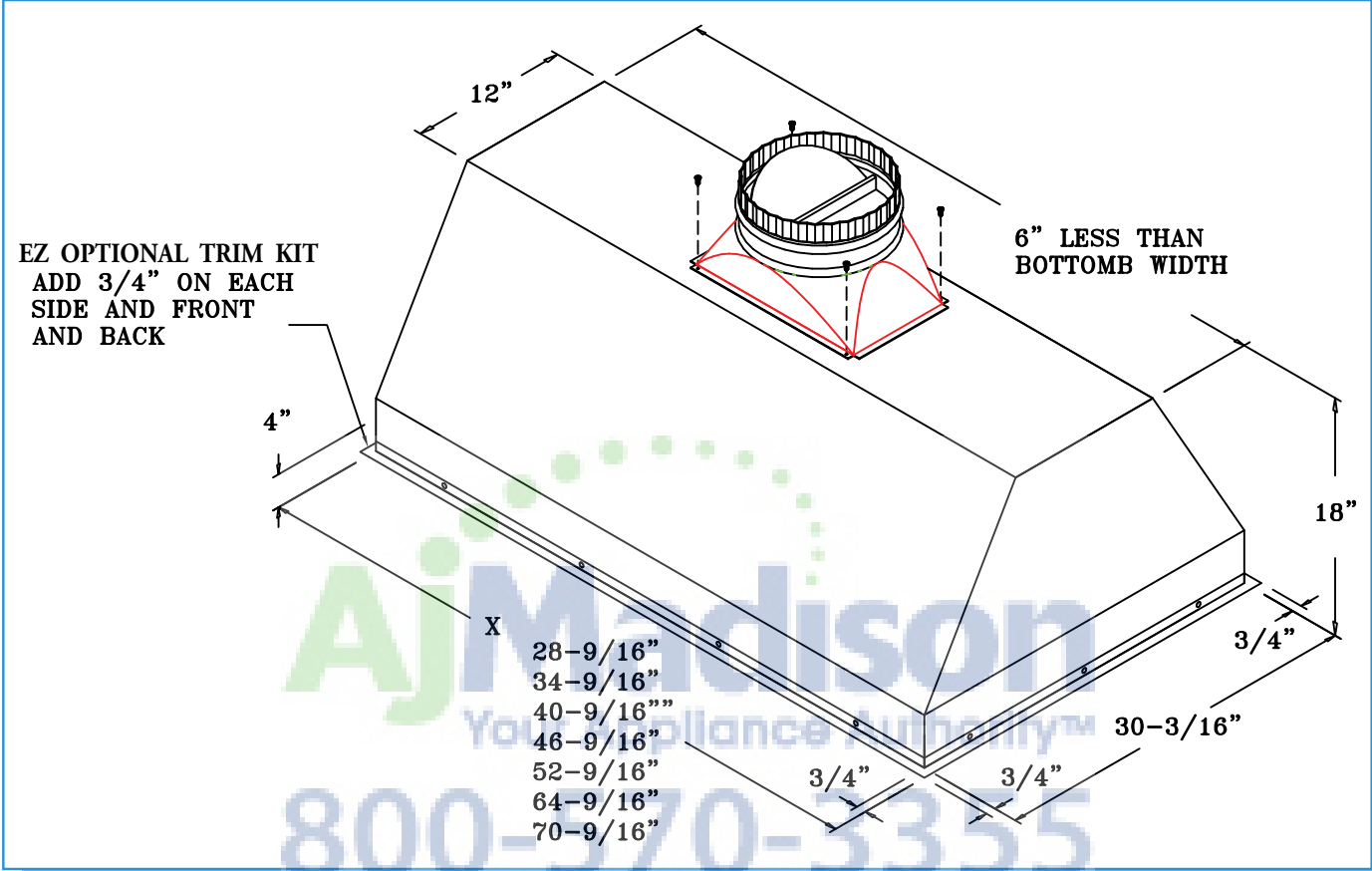


POSITION OF 10" (8") ROUND TRANSITION
(TOP VIEW)

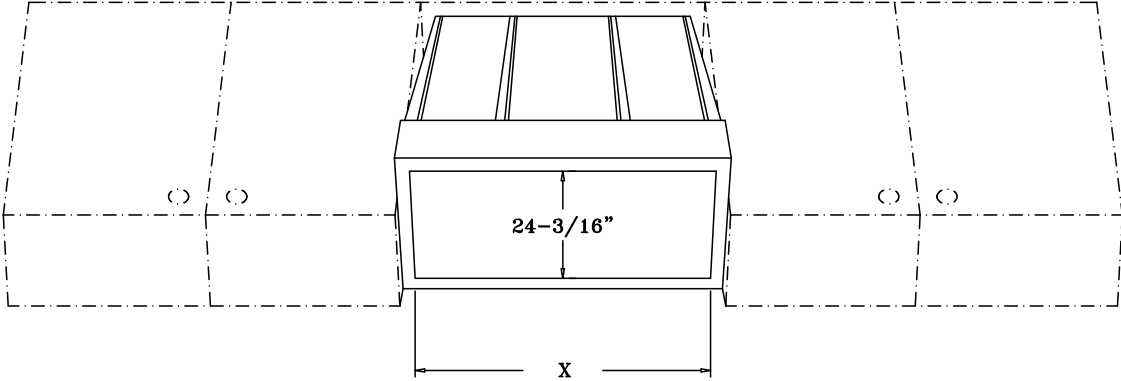


SIZE OF THE CUT OUT
(BOTTOM VIEW)

METAL LINER SLOPED SIDES ISLAND (MLSS-I)



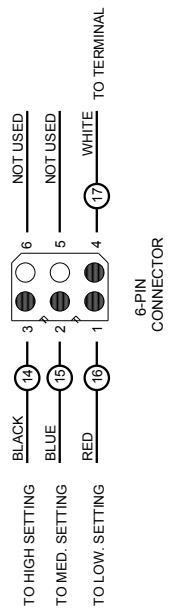
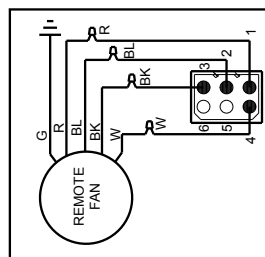
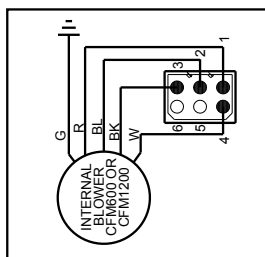
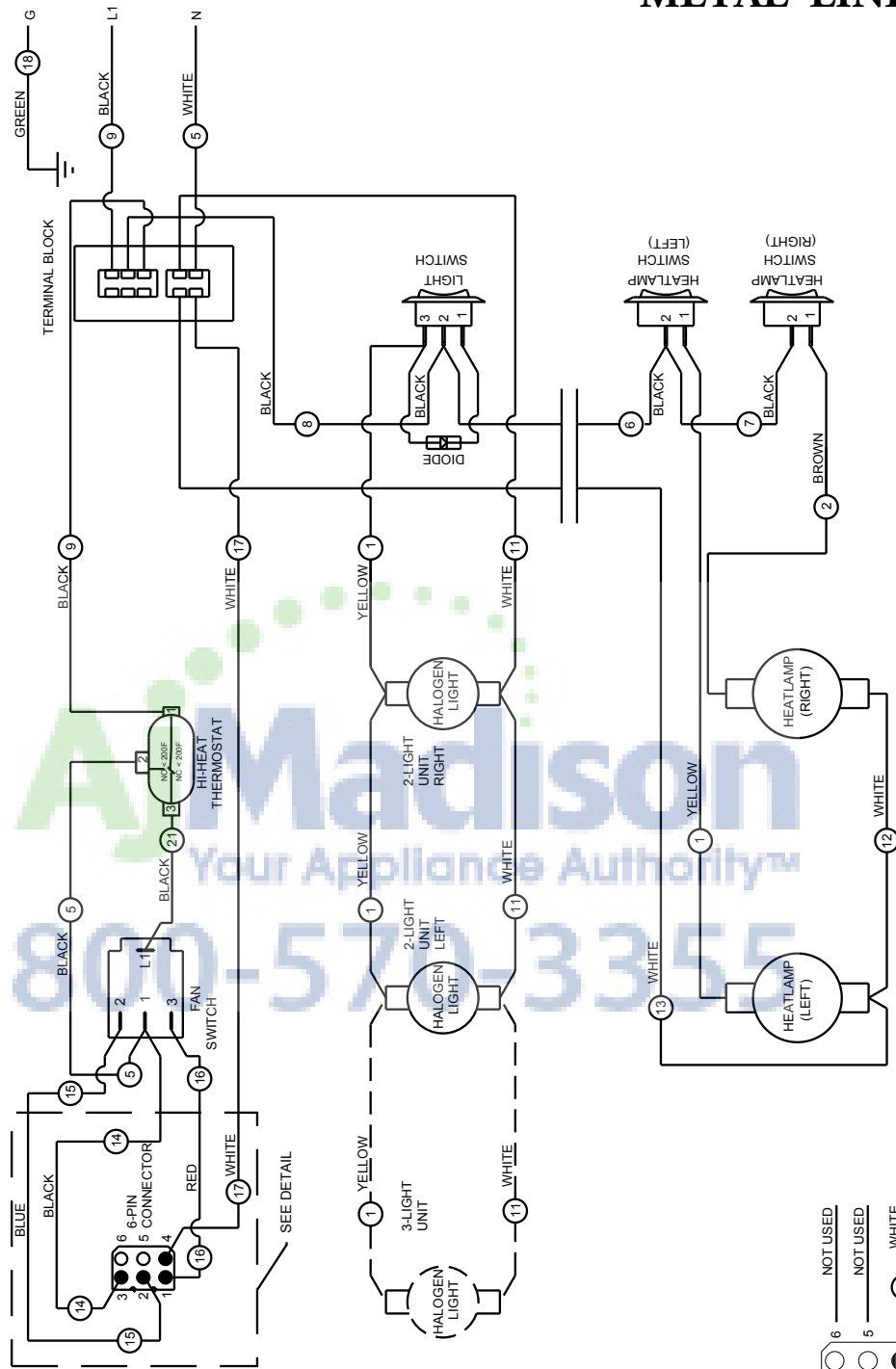
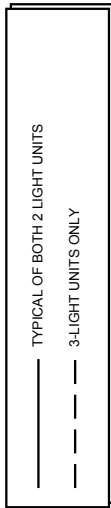
POSITION OF 10"(8") ROUND TRANSITION
(TOP VIEW)



SIZE OF THE CUT OUT
(BOTTOM VIEW)

WIRING DIAGRAM FOR METAL LINERS

WIRING DIAGRAM FOR METAL LINERS



HOOD FEATURES

Model	Lighting	Filters	Available Widths							Depth	Height	
WALL HOODS			NUMBER OF FILTERS PER WIDTH									
LP 30" - 42"	Halogen 2	THIN BAFFLES	30"	36"	42"	48"	54"	60"	66"	22"	18"	
LP 48" - 66"	Halogen 3	THIN BAFFLES	2	2	2	3	3	4	4			
INCL 30" - 42"	Halogen 2	THICK BAFFLES	30"	36"	42"	48"	54"	60"	66"	24"	18"	
INCL 48" - 66"	Halogen 3	THICK BAFFLES	2	2	3	3	4	4	5			
INBQ 30" - 42"	Halogen 2	THICK BAFFLES	2	2	3	3	4	4	5	27"	18"	
INBQ 48" - 66"	Halogen 3	THICK BAFFLES	30"	36"	42"	48"	54"	60"	66"			
BONZ 30" - 42"	Halogen 2	THICK BAFFLES	30"	36"	42"	48"	54"	60"	66"	24"	18"	
BONZ 48" - 66"	Halogen 3	THICK BAFFLES	2	2	3	3	4	4	5			
CONN 30" - 42"	Halogen 2	THICK BAFFLES	30"	36"	42"	48"	54"	60"	66"	24"	18"	
CONN 48" - 66"	Halogen 3	THICK BAFFLES	2	2	3	3	4	4	5			
ASPEN 30" - 42"	Halogen 2	THICK BAFFLES	30"	36"	42"	48"	54"	60"	66"	24"	18"	
ASPEN 48" - 66"	Halogen 3	THICK BAFFLES	2	2	3	3	4	4	5			
SNFE-10" TALL 30" - 42"	Halogen 2	THIN BAFFLES	30"	36"	42"	48"	54"	60"	66"	22"	10"	
SNFE-10" TALL 48" - 66"	Halogen 3	THIN BAFFLES	2	2	2	3	3	4	4			
SNFE-18" TALL 30" - 42"	Halogen 2	THICK BAFFLES	30"	36"	42"	48"	54"	60"	66"	24"	18"	
SNFE-18" TALL 48" - 66"	Halogen 3	THICK BAFFLES	2	2	3	3	4	4	5			
LONDON FLAT 36" - 42"	Halogen 2	MESH FILTERS	36"	42"	48"	54"	60"	66"		24"	18"	
LONDON FLAT 48" - 66"	Halogen 3	MESH FILTERS	2	3	4	5	6	7				
ISLAND												
HAMPTON-I 36" - 42"	Halogen 2	THICK BAFFLES	36"	42"	48"	54"	60"	66"		34"	18" NOT INCLUDING DUCT COVER	
HAMPTON-I 48" - 66"	Halogen 3	THICK BAFFLES	4	6	6	8	8	10				
LARA-I 36" - 42"	Halogen 2	THICK BAFFLES	36"	42"	48"	54"	60"	66"		34"	18" NOT INCLUDING DUCT COVER	
LARA-I 48" - 66"	Halogen 3	THICK BAFFLES	4	6	6	8	8	10				
LARE-I 36" - 42"	Halogen 2	THICK BAFFLES	36"	42"	48"	54"	60"	66"		34"	18" NOT INCLUDING DUCT COVER	
LARE-I 48" - 66"	Halogen 3	THICK BAFFLES	4	6	6	8	8	10				
MANH-I 36" - 42"	Halogen 4	THICK BAFFLES	36"	42"	48"	54"	60"	66"		34"	6" NOT INCLUDING DUCT COVER	
MANH-I 48" - 66"	Halogen 6	THICK BAFFLES	4	6	6	8	8	10				
WRAN-I 36" - 42"	Halogen 2	THICK BAFFLES	36"	42"	48"	54"	60"	66"		34"	18" NOT INCLUDING DUCT COVER	
WRAN-I 48" - 66"	Halogen 3	THICK BAFFLES	4	6	6	8	8	10				
CHIMNEY												
HAMPTON 30" - 42"	Halogen 2	THICK BAFFLES	30"	36"	42"	48"	54"	60"	66"	24"	18" NOT INCLUDING DUCT COVER	
HAMPTON 48" - 66"	Halogen 3	THICK BAFFLES	2	2	2	3	3	4	4			
LARA 30" - 42"	Halogen 2	THICK BAFFLES	30"	36"	42"	48"	54"	60"	66"	24"	18" NOT INCLUDING DUCT COVER	
LARA 48" - 66"	Halogen 3	THICK BAFFLES	2	2	2	3	3	4	4			
LARE 30" - 42"	Halogen 2	THICK BAFFLES	30"	36"	42"	48"	54"	60"	66"	24"	18" NOT INCLUDING DUCT COVER	
LARE 48" - 66"	Halogen 3	THICK BAFFLES	2	2	2	3	3	4	4			
MANH 36" - 42"	Halogen 2	THICK BAFFLES	36"	42"	48"	54"	60"	66"		24"	18" NOT INCLUDING DUCT COVER	
MANH 48" - 66"	Halogen 3	THICK BAFFLES	2	3	3	4	4	5				
WRAN 36" - 42"	Halogen 2	THICK BAFFLES	36"	42"	48"	54"	60"	66"		24"	20" NOT INCLUDING DUCT COVER	
WRAN 48" - 66"	Halogen 3	THICK BAFFLES	2	3	3	4	4	5				
LINERS												
CMLSS (all sizes)	Halogen 2	MESH FILTERS			29"	38"	47"			15 ¹³ / ₁₆ "	11 ¹ / ₈ "	
MLSS 28"	Halogen 2	THICK BAFFLES										
MLSS 34" - 46"	Halogen 2	THICK BAFFLES	28"	34"	40"	46"	52"	58"	64"	70"	19 ¹ / ₄ "	14"
MLSS 52" - 70"	Halogen 3	THICK BAFFLES	2	2	3	3	4	4	5	5		
PMLSS 28"	Halogen 2	THICK BAFFLES										
PMLSS 34" - 46"	Halogen 2	THIN BAFFLES	28"	34"	40"	46"	52"	58"	64"	70"	22 ¹ / ₂ "	12"
PMLSS 52" - 70"	Halogen 3	THIN BAFFLES	2	2	2	3	3	4	5	5		
MLFS 30" - 42"	Halogen 2	THICK BAFFLES	30"	36"	42"	48"	54"	60"	66"	72"	24"	18"
MLFS 48" - 72"	Halogen 3	THICK BAFFLES	2	2	3	3	4	4	5	5		
MLSS-I 30" - 42"	Halogen 2	THICK BAFFLES	36"	42"	48"	54"	60"	66"	72"	34"	18"	
MLSS-I 48" - 72"	Halogen 3	THICK BAFFLES	4	6	6	8	8	10	10			

BAFFLE FILTERS, GREASE TROUGHS AND LIGHTS

Baffle Filters

Your baffle filters come with “gripper” knobs to aid in filter placement and removal. Grab the “gripper” knobs with your thumb and index finger. Simultaneously, slide and force the first baffle filter in an upward (slightly pitched) direction towards the ceiling. (Note: spring clips have been attached within the framework to prevent the baffle filters from rattling when fan is operating. These spring clips will make it difficult to insert and remove baffle filters.) As the baffle filter is forced upward towards the ceiling, simultaneously swing the lower portion of the filter down and out of the framework. Remove the remaining baffle filters in the same fashion. The first baffle filter removed may be difficult..... the remaining filters will follow with ease.

Baffle filters may be washed in your dishwasher. Simply place on the lower rack of dishwasher using a normal cleaning cycle.

To re-install your new/clean baffle filters within the hood cavity, begin the above process but in reverse. First, place the clean “grease trough(s)” in the cavity framework followed by the first of the baffle filters keeping in mind the first of the baffle filters will be easy to re-install..... the last baffle filter will be difficult due to the tight fit and limited space.

Grease Troughs

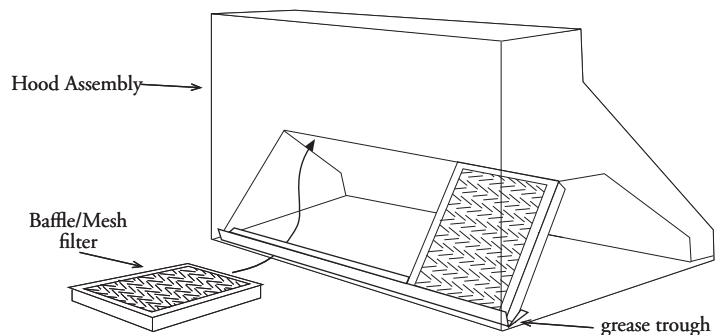
The “grease trough” rests within the lowest portion of the rectangular open framework. Check for grease build-up each month. The “grease trough(s)” may be wiped free of excess grease and placed on top-shelf of your dishwasher for cleaning.

Halogen Lights

Halogen lights are included with the purchase of your hood. They are packaged in a cardboard box and taped within the interior hood cavity behind the baffle filters. To purchase halogen bulbs through Prizer Hoods, you may contact our Customer Service Department or visit your local home improvement store replacing with a PAR 20 - Medium Base, 50 watt, 120 volt, Halogen Flood. Be sure to take your old halogen bulb with you to ensure your new bulb is similar in length with the same bulb specifications.

Controls

Always “turn-on” the hood fan prior to cooking in order to establish an airflow in the kitchen. Allow the fan to remain



operating after cooking for a few minutes to clear the air. This measure will ensure the kitchen remains smoke-free and fresher smelling.

Fan

The hood's fan is controlled by a three-speed switch. Speeds: **OFF**, **LOW**, **MEDIUM**, **HIGH** are printed next to the fan control knob and correspond to the fan speed.

Hood Lighting

The halogen lights are controlled by a single light switch. The lighting has a **LOW** setting (ambient lighting) and a **HIGH** setting (brilliant lighting).

Cleaning Your Stainless Steel Hood

Keep your hood free of grease build-up under the hood's surface as well as exterior surfaces. Do not use abrasive cloths, steel wool, scrubbing pads or scouring powders. Do not use paper towels or any other coarse cloths for cleaning stainless steel. Have prepared, a supply of pre-washed, (100% cotton) **flannel** cleaning cloths or micro-fiber cleaning cloths. You may purchase 100% cotton **flannel** by the yard at your local fabric store. Pre-wash flannel in hot water using laundry detergent without fabric softeners and place in dryer without fabric softening sheets.

We recommend using a stainless steel cleaning spray to maintain the beautiful luster of your stainless steel hood. Spray the cleaning/polishing solution directly onto a cleaning cloth as supposed to spraying the surface of the hood.

“**Clean Source**” stainless spray may be purchased by contacting our Customer Service Department.

CLEANING RECOMMENDATIONS

BRUSHED STAINLESS STEEL, HAMMERED STAINLESS, EUROPEAN BLACK STEEL and MILLENNIUM DISK STAINLESS

The Brushed Stainless Steel Hood should be cleaned with pre-washed flannel cloths and our recommended **“Clean Source”** cleaner. Always wipe in a manner which follows the grain. **DO NOT** clean with paper towels as they will scratch the surface. Cleaning cloths other than cotton flannel may scratch the surface of the hood.

ANTIQUATED COPPER, ANTIQUATED BRASS

The Antiquated Copper and Antiquated Brass Hoods should be cleaned twice yearly. Use pre-washed flannel cloths and “S.C. Johnson P-A-S-T-E Wax” available at Lowe’s Home Improvement Centers. Gently apply a small amount in a circular motion using very light pressure. Rubbing too hard may result in the removal of the finish. **DO NOT** clean with paper towels as scratches will occur. Cleaning cloths other than cotton flannel may scratch the surface of the hood.

MIRRORED STAINLESS STEEL, POWDER COATINGS

The Mirrored Stainless Steel or Powder Coated Hood should be cleaned with pre-washed flannel cloths and any spray glass cleaner. **DO NOT** clean with paper towels, as they will scratch the surface of the hood. Different cleaning cloths other than cotton flannel may scratch the surface of the hood.

MIRRORED COPPER, HAMMERED COPPER, BRUSHED COPPER

The Copper Hood should be cleaned with pre-washed flannel cloths and **“Brite Boy”** metal polish. Always wipe in a manner, which follows the grain should a grain pattern exist. **DO NOT** clean with paper towels, as they will scratch the surface. Different cleaning cloths other than cotton flannel may scratch the surface of the hood.

MIRRORED BRASS, HAMMERED BRASS, BRUSHED BRASS

The Brass Hood should be cleaned with pre-washed flannel cloths and **“Brite Boy”** metal polish. Always wipe in the manner, which follows the grain should a grain pattern exist. **DO NOT** clean with paper towels, as they will scratch the surface. Different cleaning cloths other than cotton flannel may scratch the surface of the hood.

INTERIOR OF HOOD

All hoods are fitted with a brushed stainless steel liner. For cleaning, we recommend using pre-washed flannel cloths and **“Clean Source”** cleaner. Always wipe in a manner, which follows the grain. **DO NOT** clean with paper towels, as they will scratch the surface of the hood.

BAFFLE FILTERS AND GREASE TROUGHS

Baffle Filters and Grease Troughs may be cleaned in your dishwasher. The grease troughs should first be cleaned of excess grease with a paper towel, then placed beside the baffle filters in your dishwasher for a thorough cleaning.

“Clean Source” and **“Brite Boy”** cleaner may be purchased directly from Prizer Hoods.

TROUBLE-SHOOTING TIPS

PROBLEM OR CONDITION

POSSIBLE SOLUTION

Fan and Lights do not operate

- A fuse may be blown or the circuit breaker tripped. Replace the fuse or reset the breaker.
- Electrical connections at the wiring box may have been made incorrectly. Contact the installer.

Fan runs but Lights do not operate

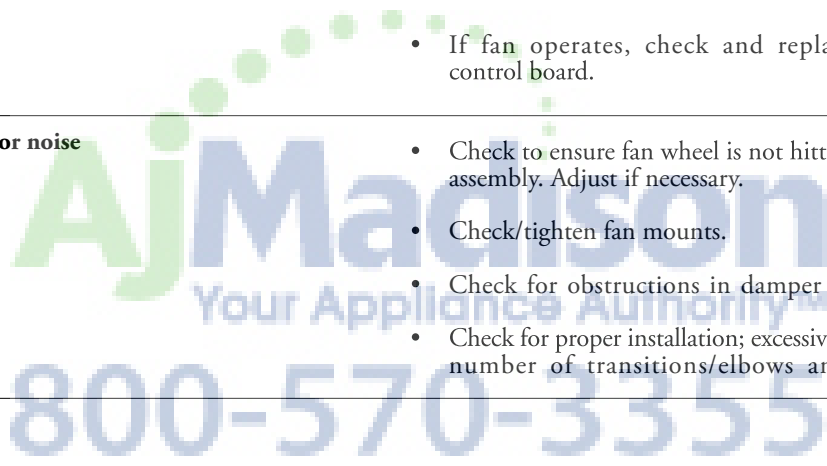
- The bulb may have burned out.
- The fuse for the bulb may have blown.
- Switch operation may be faulty.

Fan does not function, but Lights operate

- Connect fan directly to a supply cord, by-passing hood control.
- If fan operates, check and replace switch and/or control board.

Excessive fan speed and/or noise

- Check to ensure fan wheel is not hitting the side of the assembly. Adjust if necessary.
- Check/tighten fan mounts.
- Check for obstructions in damper flap or duct work.
- Check for proper installation; excessive length in duct run, number of transitions/elbows and duct diameter.



Prizer Hoods reserves the right to change specifications or design without notice. Some models are certified for use in Canada. Prizer Hoods is not responsible for products which are transported from the United States for use in Canada. Check with your local Canadian distributor or dealer.

