

Operating and Installation Instructions Gas Cooktop



To prevent accidents and machine damage, read the Operating Manual **before** installation or use.

WARNING:

If the information in this manual is not followed exactly, a fire or explosion may result causing property damage, personal injury or death.

- Do not store or use gasoline or other flammable vapors and liquids in the vicinity of this or any other appliance.
- **WHAT TO DO IF YOU SMELL GAS**
 - Do not try to light any appliance.
 - Do not touch any electrical switch.
 - Do not use any phone in your building.
 - Immediately call your gas supplier from a neighbor's phone. Follow the gas supplier's instructions.
 - If you cannot reach your gas supplier, call the fire department.
- Installation and service must be performed by a qualified installer, service agency or the gas supplier.
(In Massachusetts installation must be performed by a licensed plumber / gas fitter.)
- Note to the installer:
Please leave this instruction book with the consumer for the local electrical / gas inspector's use.



IMPORTANT SAFETY INSTRUCTIONS	4
Guide to the appliance	9
Before the first use	11
Operation	12
Control knobs	12
Turning on	12
Turning on in the event of a power failure	13
Regulating	13
Turning off	13
Cookware	14
Energy saving tips	15
Safety feature	16
Cleaning and care	17
Frequently asked questions	20
Technical Service	21
IMPORTANT INSTALLATION SAFETY INSTRUCTIONS	24
Installation dimensions	27
Installation	28
Electrical connection	30
Wiring diagram	31
Gas connection	32
Gas pressure regulator	33
Conversion to another type of gas	34
Burner capacity	35
Nominal ratings	35
Help protect our environment	36

IMPORTANT SAFETY INSTRUCTIONS

WARNING - When using your gas appliance follow basic precautions, including the following:

This gas cooktop conforms to all uniform safety codes and regulations.

Read all instructions before installation or use to prevent injury and appliance damage.

These instructions contain important information on installation, safety, use and maintenance of this appliance. They will help you avoid injury and damage to the appliance.

Keep these operating instructions in a safe place and pass them on to any future user.

SAVE THESE INSTRUCTIONS

Correct usage

- ▶ This appliance is intended for use in domestic households and in similar working and residential environments.
- ▶ Only use this gas cooktop for residential purposes such as cooking and keeping food warm. Other uses are not permitted and can be dangerous.
- ▶ This appliance is not intended for outdoor use.
- ▶ This equipment has not been designed for maritime use or for use in mobile installations such as aircraft or recreational vehicles.
- ▶ Persons who lack physical, sensory or mental abilities, or experience with the appliance should not use it without supervision or instruction by a responsible person.

IMPORTANT SAFETY INSTRUCTIONS

Children

▶ Children should not be left unattended in an area where the appliance is in use. Never allow children to sit or stand on any part of the appliance.

Caution: Do not store items of interest to children in cabinets above the appliance. Children climbing on the appliance to reach these items could be injured.

▶ The appliance is hot during use and remains so for some time after being switched off. Keep children away from the appliance.

▶ Keep all pots and pans out of the reach of children. Danger of burning or scalding.

▶ Ensure that any packing material, is disposed of safely and kept out of the reach of children. Danger of suffocation!

Technical safety

▶ Installation, repair and maintenance work should be performed by a Miele authorized service technician in accordance with local building and safety codes. Work by unqualified persons could be dangerous and may void the warranty.

▶ Before installing the cooktop, check for externally visible damage. **Do not** operate a damaged appliance. A damaged gas cooktop is a hazard.

▶ Be certain your appliance is properly installed and grounded by a qualified technician.

▶ To guarantee the electrical safety of this appliance, continuity must exist between the appliance and an effective grounding system. It is imperative that this basic safety requirement be met. If there is any doubt, have the electrical system of the house checked by a qualified electrician.

▶ Before installation, make sure that the voltage and frequency listed on the rating label correspond with the household electrical supply. This data must correspond to prevent injury and appliance damage. Consult a qualified electrician if in doubt.

▶ Do not operate the appliance until it has been properly installed in the countertop.

▶ Under no circumstance open the outer casing of the appliance. This is a safety hazard and may damage the appliance.

IMPORTANT SAFETY INSTRUCTIONS

▶ Before servicing, turn off the gas valve and disconnect the power supply by either removing the fuse, unplugging the unit or manually "tripping" the circuit breaker.

▶ While the appliance is under warranty repairs should only be performed by a Miele authorized service technician. Otherwise the warranty is void.

▶ Defective components should be replaced by Miele original spare parts only. Only with these parts can the manufacturer guarantee the safety of the appliance.

▶ The appliance is not designed for use with an external timer or a remote control system.

▶ Do not operate any appliance with a damaged cord or plug, or if the appliance has been damaged in any manner. Contact Miele's Technical Service Department.

▶ Do not use an extension cord to connect this appliance to electricity. Extension cords do not guarantee the required safety of the appliance.

▶ In the event of damage or defect, turn off the appliance immediately. Turn off the gas shut off valve and disconnect completely from the electrical supply. Contact the Miele Technical Service Department. Do not use the appliance until it has been repaired. Ensure power is not supplied to the appliance while repair work is carried out.

▶ Any breakages or cracks in the ceramic surface of the appliance are defects and must be treated as such. Turn it off immediately. Disconnect the gas cooktop from the electrical and gas supplies. Contact Miele Technical Service.


Safety

▶ The appliance is hot during use and remains so for some time after being switched off. Be careful not to touch the appliance if it may still be hot.

▶ Do not heat empty pots or pans. This may cause damage to the cookware and the surrounding area. Danger of fire.

▶ Do not leave the cooktop unattended while in use. Boil-overs cause smoking, and greasy spill-overs may ignite.

▶ Do not use water on grease fires. Smother any fire or flame using a lid, or use a dry chemical or foam-type extinguisher.

 **WARNING** - NEVER use this appliance as a space heater to heat or warm the room. Doing so may result in carbon monoxide poisoning and overheating.

▶ Protect your hands with oven mitts or potholders when using the appliance. Use only dry, heat resistant potholders. Moist or damp potholders used on hot surfaces can result in steam burns. Do not let the potholder touch the hot heating elements. Do not use towels or other bulky items near the appliance.

IMPORTANT SAFETY INSTRUCTIONS

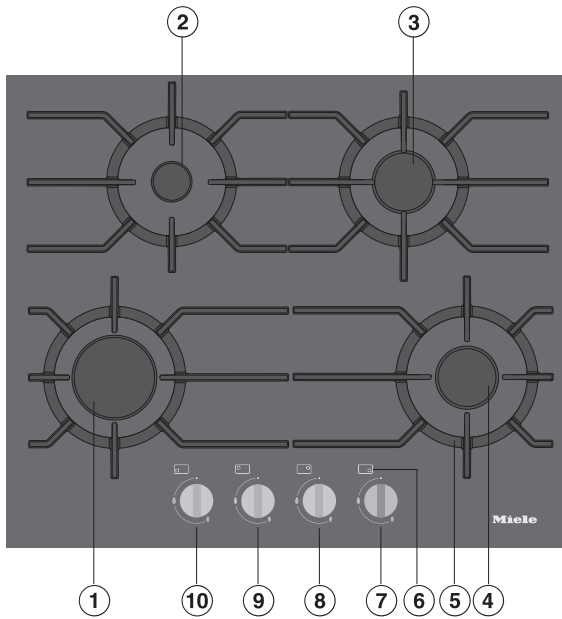
- ▶ Do not flambé under an exhaust hood. Flames could be drawn up into the hood by the suction or the grease filters may ignite.
- ▶ Take care that drafts do not blow flammable material toward the flames or push the flames so that they extend beyond the edges of the pan.
- ▶ Only certain types of glass / ceramic or other glazed cookware are suitable for use on a cooktop without breaking due to a sudden temperature change. Verify with cookware manufacturer.
- ▶ Be aware of loose fitting or hanging garments while operating the cooktop, they may present a fire hazard.
- ▶ Be careful not to drop anything on the ceramic surface. Even lightweight objects may cause damage.
- ▶ Only use cooking utensils suitable for cooktop use.
- ▶ Do not store items on the appliance when not in use. Items could melt or catch fire from residual heat or if the appliance is turned on inadvertently. Always switch the burner(s) off after use.
- ▶ Do not store aerosols, combustibles or any other easily flammable materials underneath or adjacent to the appliance.
- ▶ Do not use plastic or aluminium foil on any part of the cooktop. It melts at high temperatures. Fire hazard.
- ▶ Do not heat unopened containers. Built-up pressure may cause the container to burst and result in injury.
- ▶ Make sure all components of the gas burner are assembled correctly before using the cooktop.
- ▶ Do not use pans that extend past the burner grate. Using larger pans may cause the flames to spread out and damage the surrounding countertop or other countertop appliances.
- ▶ For safety and stability, do not use pans with a bottom diameter smaller than the burner grate.
- ▶ Only certain types of glass, ceramic or other glazed cookware are suitable for use on a combiset without breaking due to the sudden temperature change.
- ▶ Do not use containers made of plastic or aluminium. They may melt at high temperatures.
- ▶ The burner grates supplied with the appliance must always be used. Never place a pan on the burner by itself.
- ▶ Do not let cooking grease or other flammable materials accumulate on the appliance. Fire Hazard.
- ▶ Place the grates on vertically to prevent any scratches.
- ▶ The use of a gas cooktop leads to the formation of heat, moisture and combustion products in the room where the appliance is installed. Ensure proper attention is paid to the ventilation of the installation area: windows kept open or a ventilation hood installed and running.

IMPORTANT SAFETY INSTRUCTIONS

- ▶ When using a portable appliance near the cooktop, make sure that its power cord does not come in contact with the cooktop.
- ▶ If there is a drawer directly underneath the appliance without a wooden base in between, ensure that no aerosols, combustible liquids or other easily flammable materials are kept in it. If cutlery inserts are to be placed in the drawer, they must be made of a heat-resistant material.
- ▶ Do not use roasting pans, frying pans or grill stones large enough to cover several burners. The resulting heat accumulation can damage the appliance.
- ▶ If the gas cooktop is installed behind a cabinet door, it must only be used with the door open. Only close the cabinet door when the appliance is switched off.
- ▶ If the gas cooktop has not been used for an unusually long time, it should be thoroughly cleaned before using it again and checked that it is working properly by an authorized expert.
- ▶ Before discarding an old appliance, disconnect it from the gas and electrical supply, and cut off the power cord to prevent it from becoming a hazard.

**SAVE THESE INSTRUCTIONS
AND REVIEW THEM
PERIODICALLY**

Cooktop

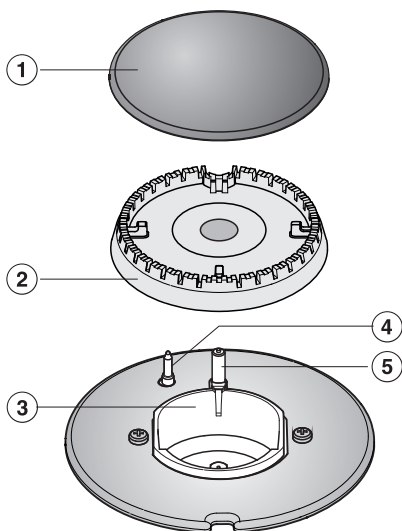


- ① Fast burner
- ② Auxiliary burner
- ③④ Normal burners
- ⑤ Grates
- ⑥ Burner symbols

- Control knobs:
- ⑦ Front right burner
 - ⑧ Right rear burner
 - ⑨ Left rear burner
 - ⑩ Front left burner

Guide to the appliance

Burners



Fast, Auxiliary and Normal burners

- ① Burner cap
- ② Burner head
- ③ Burner base
- ④ Ignition safety control (Thermocouple)
- ⑤ Ignitor

Adhere the data plate sticker, which is included with the appliance documents, on the appropriate place marked in "Technical Service".

Cleaning the cooktop

- Remove any protective films.
- Wash the removable parts of the gas burner in a mild solution of warm water and liquid dish soap.
- Dry and reassemble the parts in the correct order (see "Cleaning and care").
- Wipe the cooktop with a damp cloth and dry thoroughly.

Metal components have a protective coating which may give off a slight odor the first time your new appliance is heated.

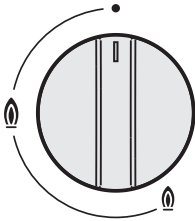
The harmless odor will dissipate after a short time and does not indicate a faulty connection or appliance defect.

Operation

Control knobs

The control knob is used to turn on the burner and to regulate the strength of the flame.

Fast, Auxiliary and Normal burners



- The gas supply is turned off
- 🔥 Highest flame
- 🔥 Lowest flame

Turning on

- To light the burner, press the corresponding burner control knob and turn it **counterclockwise** to the largest flame symbol.

Pressing a burner control knob automatically generates a spark at all burners on the cooktop. This is normal and does not indicate a faulty appliance.

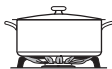
- When a flame is visible, keep the burner control knob pressed for 5 - 10 seconds, then release it.
- If the flame goes out prematurely, turn the burner control knob to "●". Air out the room or wait at least 1 minute before attempting to reignite. You may have to keep the burner control knob pressed a little longer.
- If the burner does not ignite even at the second attempt, turn the burner control knob to "●" and see "Frequently asked questions".

Turning on in the event of a power failure

If there is a power loss, you can ignite the flame manually, e.g. with a match.

- Press the burner control knob and turn it **counterclockwise** to the largest flame symbol.
- Keep the knob pressed and ignite the escaping gas-air mixture with a match.
- Keep the knob pressed for a further approx. 5 - 10 seconds and then release it.

Regulating



The flame should be regulated so that it never protrudes beyond the pot. Since the outer part of the gas flame is much hotter than the center of the flame, the flame tips should remain under the base of the pot. Protruding flame tips give off unnecessary heat into the air and can damage pot handles and increase the risk of burning.

The burner can be continuously regulated between the highest and lowest flame.

- To switch from the high to the low setting, turn the burner control knob clockwise until resistance is felt. Press the knob down until you pass the stop, and release the pressure and set the cooktop the desired setting.
- To switch from the low to the high setting, turn the burner control knob counterclockwise until resistance is felt. Press the knob down until you pass the stop, and release the pressure and set the cooktop the desired setting.

Turning off

- Turn the burner control knob clockwise to "●".

The gas supply is stopped and the flame goes out.

Do not turn the burner control knob clockwise beyond "●".

Cookware

- Select the cookware to match the burner:
large diameter = large burner
small diameter = small burner.
- Using oversized pans may cause the flames to spread out and damage the surrounding countertop or other countertop appliances. The proper pan size will also improve efficiency.
- Pots with a smaller diameter than the pan support and pots that do not sit securely (without wobbling) are hazardous and should not be used.
- Unlike pans used on an electric cooktop, the bases do not need to be even for good results.
- When buying pots and pans, keep in mind that it is generally not the base diameter but the upper diameter which is specified.
- Only use heat-resistant cookware.
- Thick pan bases will give more even results, as hot spots are reduced due to better heat distribution. Thin pan bases will conduct the heat faster but not as evenly as thick pan bases. Stir the food frequently to prevent burning.
- Always place the cookware on the grate. The cookware must not be placed directly on the burner.
- Position the cookware on the grate so that it cannot tip over. A minimum amount of wobbling can never be completely ruled out.
- Do not use pots or pans with edge-supported bases.



Energy saving tips

- If possible, cook in covered pots or pans. This prevents unnecessary heat loss.
- Cook with less water.
- The cooking time can be significantly reduced by using a pressure cooker.
- After cooking or frying, promptly set to a lower flame.
- Generally, wide / shallow pans will heat quicker and cook more evenly than narrow / tall ones.




Safety feature

Ignition safety control

The appliance is equipped with an Ignition safety control. This control cuts the gas supply if the flame goes out and reignition is unsuccessful, e.g. from a boilover or a draft. Any further escape of gas is prevented.

- To reignite the burner knob clockwise to "●" and then turn it on as usual.

The Ignition safety control works independently of the power supply. It is active if the appliance is in use during a power failure.

 Never use a steam cleaner to clean this cooktop. Pressurized steam could cause permanent damage to the surface and to components.

Do not use any sharp or pointed objects which could damage the seal between the frame and the countertop.

Keep the ignitor in the burner dry. If it gets wet it will not spark.

Dry your cooktop thoroughly after cleaning it to prevent lime deposits.

Spills containing salt or sugar should be cleaned immediately.

The surfaces of the burner parts and grates become slightly duller over time. This is normal and does not indicate any impairment of the material.

To better maintain your appliance avoid the following:

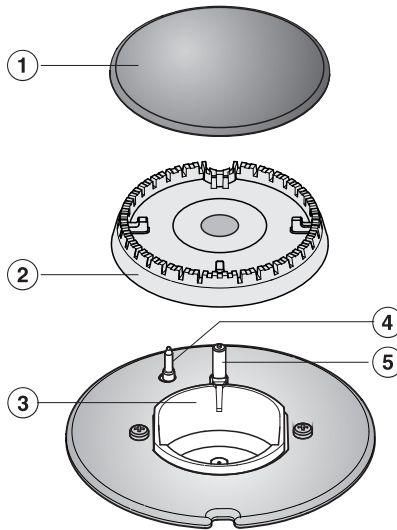
- cleaners containing soda, ammonia, thinners, or chlorides,
- cleaners containing descaling agents or lime removers,
- abrasive cleaners,
- stainless steel cleaners,
- dishwasher soap,
- caustic (oven) cleaners,
- scouring pads, steel wool, hard brushes,
- metal scrapers.

Glass cleaners may be used to clean the exterior. However **do not** allow them to sit or "puddle", this can cause damage to the surface. **Remove the cleaner promptly.**

Cleaning and care

	Cleaning	Instructions
Ceramic surfaces	<p>Remove heavy dirt with a damp cloth and stubborn dirt with a glass scraper.</p> <p>Clean with the Miele ceramic surface and stainless steel cleaner (see the Miele online store) and with kitchen paper or a clean cloth. Do not apply cleaner to a hot cooktop as this can cause discoloration.</p> <p>Wipe with a damp cloth and dry with a soft cloth.</p>	<p>Do not use liquid dish soap as not all soiling and residue will be removed. This results in an invisible film which causes discoloration of the glass ceramic. This discoloration is permanent.</p> <p>When using special ceramic cleaning agents, follow the instructions of the manufacturer.</p>
Grates	<p>Take out the grates. Clean in the dishwasher or with a sponge cloth, a mild solution of liquid dish soap and warm water. If necessary, use the rough side of the sponge.</p>	<p>Bei hellen Stellen kann es sich um Reinigerreste aus der Spülmaschine oder um Abrieb der Topfböden handeln. Reinigen Sie wie links beschrieben.</p>
Burner control knob	<p>Clean with a sponge cloth, some liquid dish soap and warm water.</p>	<p>Not dishwasher safe.</p>
Burner	<p>Remove all loose parts of the burner. Clean with a sponge cloth, a mild solution of liquid dish soap and warm water. Wipe the non-detachable parts of the burner with a damp cloth.</p>	<p>Not dishwasher suitable.</p> <p>Make sure that the flame openings are completely dry after cleaning.</p>
Ignition safety control (thermocouple)	<p>Wipe carefully with a well damp cloth.</p>	<p>The Ignition safety control (thermocouple) must not become wet, otherwise it will not spark.</p>

Assembling the burners




Auxiliary, normal and fast burners

- Place the burner head ② on the burner base ③ so that the thermocouple ④ and the ignitor ⑤ feed through the holes of the burner head. The burner head must engage properly.
- Lay the burner cap ① flat on the burner ring ②.
The burner cap cannot shift if positioned correctly.

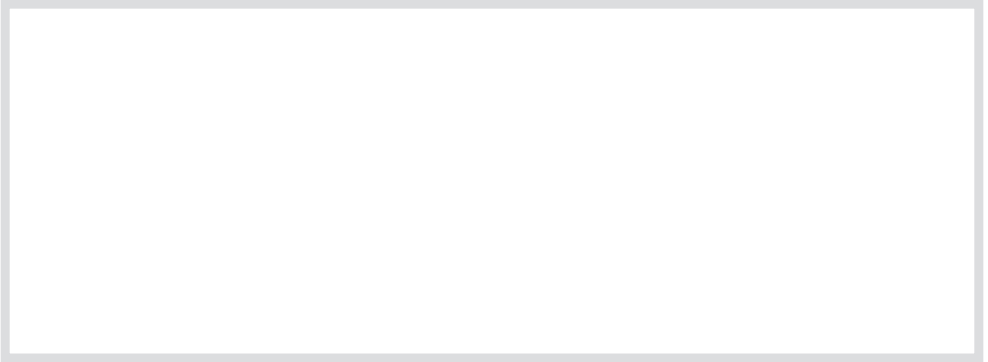
Make sure the burner parts are assembled in the right order.

Frequently asked questions

 Repairs should only be carried out by an authorized technician in accordance with local and national safety regulations. Unauthorized repairs could cause injury or appliance damage.

Problem	Cause	Solution
The burner does not ignite after several attempts	The burner is not assembled correctly.	Assemble the burner correctly.
	The gas valve is closed.	Open the gas valve.
	The burners are wet and soiled and/or the flame holes in the burners are soiled and clogged.	Clean and dry the burner.
	The igniters are wet.	Dry the igniters.
	The cooktop is not plugged in and the circuit breaker has tripped.	Plug the cooktop in and restore power. If lack of power is the problem, the cooktop can be lit with a match. See "Turning on in the event of a power failure".
Gas flame goes out after ignition	- Residue has been built up between the ignitor and the burner.	Clean the burners.
	- The burners are assembled incorrectly.	Position the burner parts correctly.
The shape of the gas flame varies	The burner parts are not positioned correctly.	Position the burner parts correctly.
	The burner head or burner cover holes are dirty.	Clean the burners.
The burner ignitor is not working	The circuit breaker has tripped.	Restore power. If lack of power is the problem, the cooktop can be lit with a match. See "Turning on in the event of a power failure".
	There is food residue between the ignitor and the burner cover.	Clean carefully (see "Cleaning and care").

In the event of a fault which you cannot easily fix yourself, please contact the Miele Technical Service Department at the address on the back of this booklet. When contacting Technical Service please quote the serial number and model of the cooktop. This information is visible on the silver data plate supplied with the cooktop. Adhere the data plate sticker to the box below:



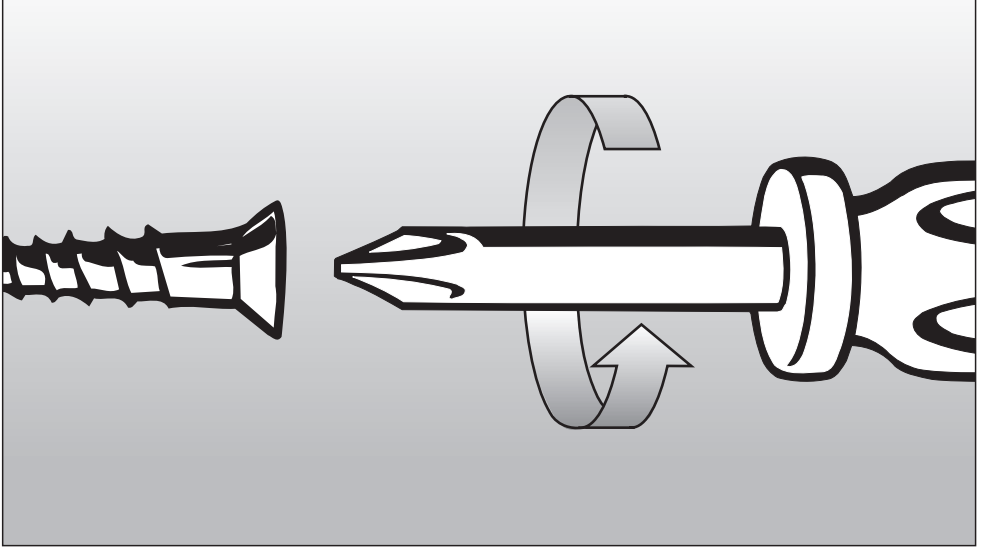
MieleCare

MieleCare, our Extended ServiceContract program; gives you the assurance of knowing that yourappliance investment is covered by 5 years of worry free ownership. **MieleCare** is the only Extended Service Contract in the industry that guarantees repairs by a Miele Authorized Service Provider using genuine Miele parts. Only genuine Miele parts installed by factory trained professionals can guarantee the safety, reliability and longevity of your Miele appliance.

Please note that unless expressly approved in writing by the Miele Service department, Extended Service Contracts offered by other providers for Miele products will not be recognized by Miele. Our goal is to prevent unauthorized (and untrained) service personnel from working on your Miele products, possibly doing further damage to them, you and/or your home.

To learn more about **MieleCare** Extended Service Contracts, please contact your appliance dealer or visit us online at:

<http://mieleusa.com>



Installation Instructions

IMPORTANT: SAVE FOR THE LOCAL ELECTRICAL INSPECTOR'S USE

Information is subject to change. Please refer to our website to obtain the most current product specification, technical & warranty information.

To prevent accidents and appliance damage read these instructions **before** installation or use.

IMPORTANT INSTALLATION SAFETY INSTRUCTIONS

Installation

The minimum distances given in these Installation instructions are to combustible surfaces, and must be observed to ensure safe operation. Failure to do so increases the risk of fire.

The cabinetry and venting hood should be installed first to prevent damage to the combiset.

- ▶ Gas appliances should only be installed in a well ventilated area.
- ▶ The countertop must be bonded with heat resistant (212°F/100°C) adhesive to prevent distortion or dissolving. Any wall coverings must be heat resistant as well.
- ▶ This appliance must not be used in a non-stationary location (e.g. on a ship).
- ▶ Deep fat fryers must not be installed directly next to gas cooktops. Gas flames can ignite splattering oil. A distance of at least 11 $\frac{3}{4}$ " (300 mm) should be maintained between these two appliances.
- ▶ The cooktop must not be installed over a dishwasher, washer, dryer, refrigerator or freezer. Heat radiated by the cooktop may damage the appliances.
- ▶ Install the appliance so that the power cord or gas piping does not come into contact with any portion of the cooktop which may become hot during use.

▶ The power cord and a flexible gas connection line must be attached in such a way that they are not in contact with moving parts of kitchen elements (e.g. a drawer) and are not subject to mechanical stress.

▶ The safety distances listed on the following pages must be carefully maintained.

▶ Never use a sealant unless expressly stipulated. The sealing tape of the appliance ensures adequate sealing to the countertop.

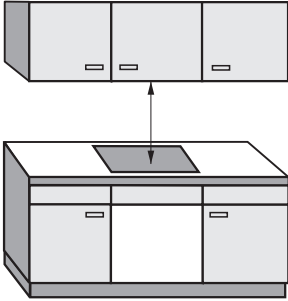
This appliance must be installed with its own shut off valve and the included gas pressure regulator. Both the valve and the regulator must be easily accessible to the consumer after the appliance is installed.

This appliance must be disconnected from the gas supply during any pressure testing of the system performed in excess of $\frac{1}{2}$ psi (3.5 kPa). This appliance must be isolated at test pressures equal to or less than $\frac{1}{2}$ psi (3.5 kPa).

Any pipe connections must be made using a thread sealant approved for gas connections. Failure to correctly install these items could lead to a gas leak and subsequent explosion.

IMPORTANT INSTALLATION SAFETY INSTRUCTIONS

Safety distances above the appliance



The minimum safety distance given by the hood manufacturer must be maintained between the combiset and the hood above it. See the installation instructions of the hood for these safety measurements.

If the hood manufacturers instructions are not available or if flammable objects are installed over the combiset (e.g. cabinets, utensil rail, etc.), a minimum safety distance of 30" (760 mm) must be maintained.

If there is more than one appliance beneath a hood (e.g. gas cooktop and electric cooktop), and they have different minimum safety distances always observe the greater distance.

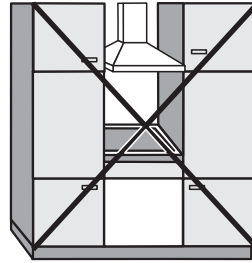
IMPORTANT INSTALLATION SAFETY INSTRUCTIONS

Safety distances

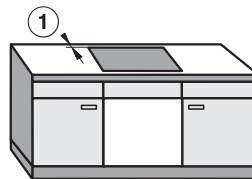
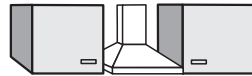
When installing a gas cooktop, there may be cupboard or room walls of any size on the rear side and on one side (right **or** left) (see illustrations).

The following minimum safety distances must be maintained:

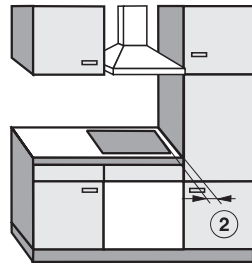
- ① 2" (50 mm) minimum distance at the **rear** of the countertop cutout to the rear edge of the countertop.
- ② 5 7/8" (150 mm) minimum distance to the **right** of the countertop cutout to an adjacent piece of furniture (e. g. tall cabinet) or room wall.
- ③ 5 7/8" (150 mm) minimum distance to the **left** of the countertop cutout to an adjacent piece of furniture (e. g. tall cabinet) or room wall.



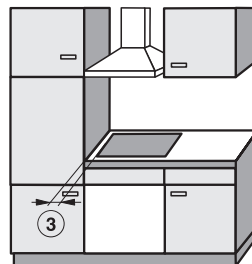
Not allowed



Recommended

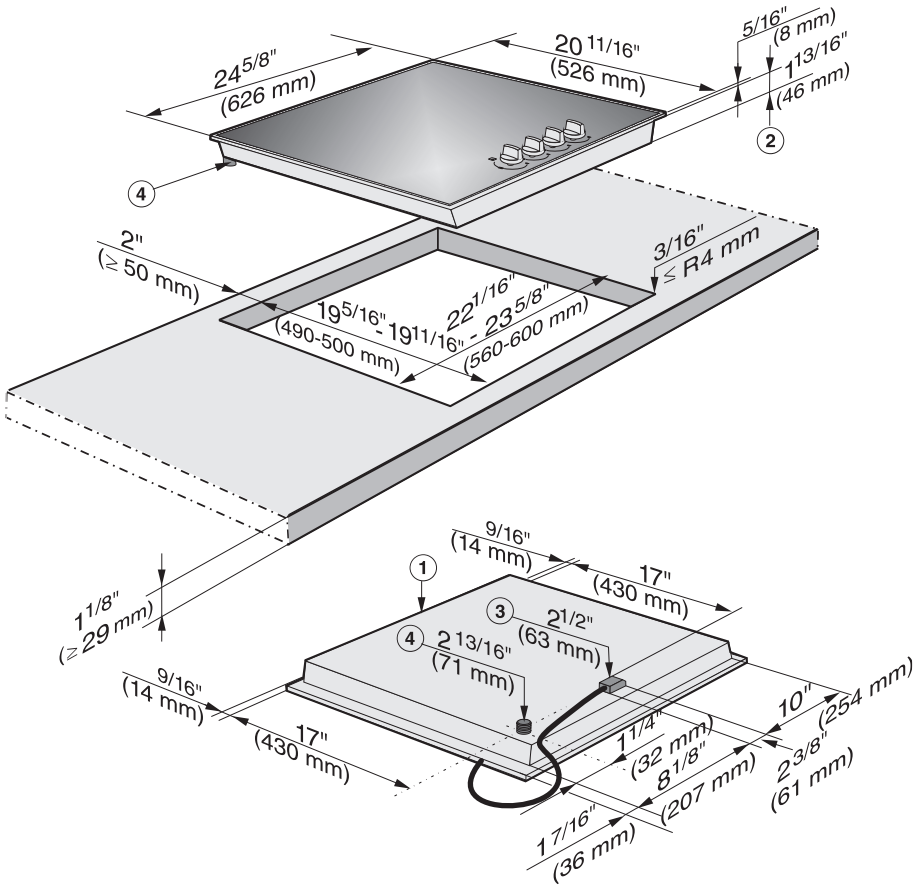


Not recommended



Not recommended

Installation dimensions



- ① Appliance front
- ② Installation height
- ③ Power supply box with connection cable L = 4 ft (1.2 m)
- ④ Gas connection

Installation

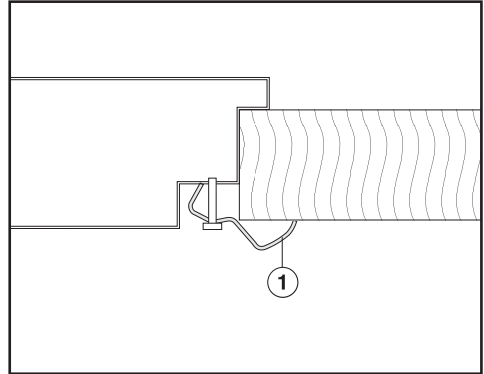
- Create the countertop cutout as per the dimension drawing. Remember to maintain a **minimum safety distance** from the **back wall**, as well as from any **tall unit or side wall** to the right or left of the cooktop (see "IMPORTANT INSTALLATION SAFETY INSTRUCTIONS").
- Seal the cut surfaces with a suitable heat-resistant sealant to avoid swelling caused by moisture. The materials used must be heat-resistant.

Make sure that these materials do not touch the surface of the countertop.

- Feed the appliance power cord downwards through the countertop cutout.
- Place the appliance loosely in the cutout.

If during installation the seal around the frame does not sit flush with the countertop in the corners, the corner radius, maximum $\frac{3}{16}$ " (4 mm), can be carefully filed down to fit.

- Connect the appliance to the electrical supply (see "Electrical connection").
- Connect the gas (see "Gas connection").



- Secure the appliance in place with the supplied brackets ①.

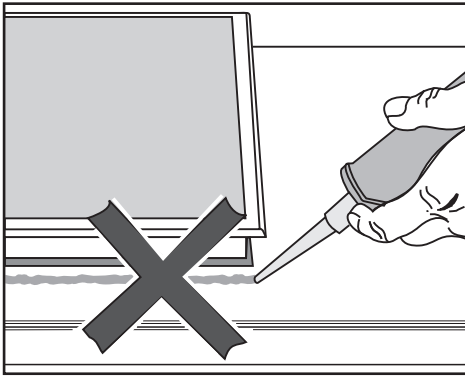
After installation

After installing the appliance, check the cooktop function by turning on all burners.

In the "low setting", the gas flame must not go out, even if the burner knob is quickly turned from the "high setting" to the "low setting".

In the "high setting", the gas flame must burn with a clearly visible center.

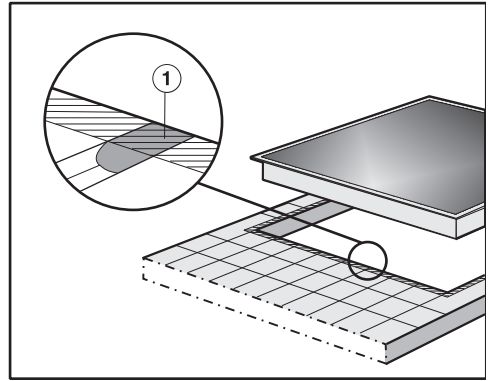
Sealing



The sealing strip under the edge of the top part of the cooktop provides a sufficient seal for the countertop.

Do not let sealant get in between the cooktop frame and the countertop. This could cause difficulties if the cooktop ever needs to be taken out for servicing and possibly result in damage to the cooktop frame or the countertop.

Tiled surfaces



The grouting ① and shaded area under the appliance frame must be flat and even so that the frame will lie evenly and the sealing strip under the edge of the upper part of the appliance can provide an adequate seal against the countertop.

Electrical connection

This appliance must be grounded according to local or national codes.

All electrical work should be performed by a qualified electrician in accordance with local codes and with the:

- National Electrical Code ANSI / NFPA No. 70 for the USA

or

- Canadian Electrical Code Part I for Canada (CSA Standard C 22.1).

This appliance is equipped with a three-prong grounding plug to prevent shock hazards. It should be plugged directly into a properly grounded outlet. Do not cut or remove the grounding prong from the plug. If the plug does not fit the outlet, have the proper outlet installed by a licensed electrician.

To guarantee the electrical safety of this appliance, continuity must exist between the appliance and an effective grounding system. It is imperative that this basic safety requirement be met. If there is any doubt, have the electrical system of the house checked by a qualified electrician.

WARNING

Disconnect the appliance from the main power supply before installation or service. To reduce the risk of electric shock, make sure that the appliance is properly grounded after installation.

Note to the installer

Please leave these instructions with the consumer or the appliance.

Power supply

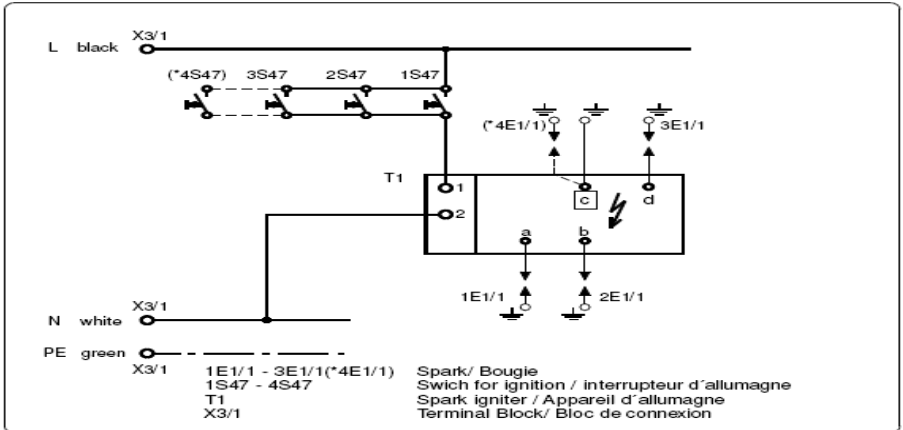
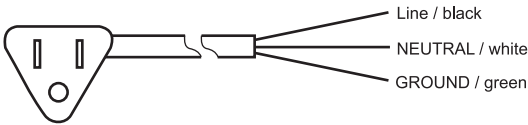
The automatic ignition requires that the appliance be connected to a 120 VAC, 60 Hz power supply. The supply line should be protected by a 15 A fuse.

Actual power consumption (during ignition only) is 25 W.

This appliance is equipped with a 4 ft (1.2 m) long power cord that is ready for connection to the appropriate outlet.

Place the power outlet so that it is accessible after the appliance has been installed in the countertop.

Wiring diagram



⚠ Caution: Label all wires prior to disconnection when servicing controls. Wiring errors can cause improper and dangerous operation. Verify proper operation after servicing.

Gas connection

Installation and service must be performed by a qualified installer, service agency or gas supplier.

In Massachusetts installation must be performed by a licensed plumber/gas fitter.

This appliance must be installed with its own shut off valve and the included gas pressure regulator. Both the valve and the regulator must be easily accessible to the consumer to turn on or shut off the gas supply after the appliance is installed.

This appliance and its individual shut off valve must be disconnected from the gas supply during any pressure testing of that system performed in excess of ½ psi (3.5 kPa). The appliance must be isolated from the gas supply line by closing its individual manual shut off valve at test pressures equal to or less than ½ psi (3.5 kPa).

Any pipe connections must be made using a thread sealant approved for gas connections. Failure to correctly install these items could lead to a gas leak and subsequent explosion.

Leak testing of the appliance shall be conducted according to the manufacturer's instructions.

The gas connection must be made in accordance with local codes or, in the absence of local codes, with

- the National Fuel Gas Code, ANSI Z 21.1 / NFPA 54 for the USA
- or
- the current Can / CGA B 149.1 and .2 Installation Codes for gas burning appliances for Canada.

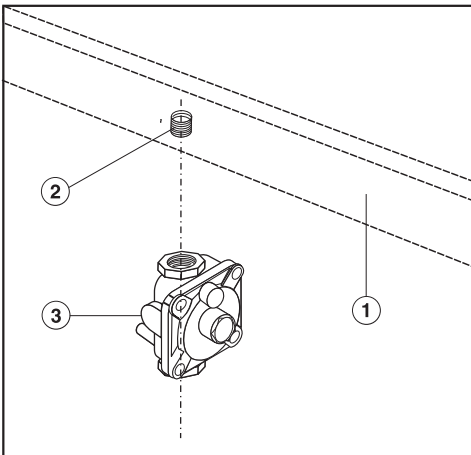
Make sure that the maximum gas supply pressure before the gas pressure regulator is never more than ½ psi for both natural gas or LP gas.

The minimum required gas supply pressure to get the required gas input is 6" w.c. for natural gas
10" w.c. for LP gas.

Gas pressure regulator

A pressure regulator that is convertible from natural to LP gas (Propane) or vice versa is included with the appliance. The included regulator corresponds with the gas type of the appliance. Verify before installing.

The adjusted pressure is:
natural gas - 4" w.c.
LP gas - 10" w.c.



- ① Appliance
- ② 1/2" NPT
- ③ Regulator

As shown in the above diagram, the included regulator **must** be used when connecting the Miele appliance to your gas supply. This item has been customized by Miele to meet all applicable safety requirements. Make sure the regulator is easily accessible for adjustment after the appliance has been installed.

For convenience, an AGA or CGA approved flexible stainless steel gas hose (accordion type) may be used between the gas connection and the regulator. This will allow the appliance to be lifted out of the countertop for cleaning or servicing. Make sure that any drawers, cabinet doors, etc., do not rub on this gas hose.

Do not use any regulator unless it has been supplied by Miele. Doing so may cause a gas leak.

If there is any doubt concerning installation contact the Miele Technical Service Department.

After connecting the appliance check all fittings for gas leaks e.g. with soapy water.

When installed properly, the flame will be steady and quiet. It will also have a sharp, blue inner core that will vary in length proportional to the burner size. Flame adjustment will not be necessary.

Conversion to another type of gas

The appliance should have been ordered for connection to either natural gas or LP gas (propane).

If the appliance is not configured for the proper type of gas connection please contact your Miele Dealer.

If the appliance is to be connected to a type of gas other than it was originally configured for, both the regulator and burners must be converted. A conversion kit is available as an optional accessory from the Miele Technical Service Department.

Nominal ratings

Maximum output

	Gas type	BTU/hr	kW
Auxiliary burner	Natural Gas (NG)	3,750	1.10
	Propane (LP)	3,300	0.97
Normal burner	Natural Gas (NG)	5,800	1.70
	Propane (LP)	6,400	1.88
Fast burner	Natural Gas (NG)	9,300	2.73
	Propane (LP)	9,800	2.87
Total output	Natural Gas (NG)	24,650	7.20
	Propane (LP)	25,900	7.60

Minimum output

	Gas type	BTU/hr	kW
Auxiliary burner	Natural Gas (NG)	1,000	0.29
	Propane (LP)	1,700	0.50
Normal burner	Natural Gas (NG)	1,450	0.42
	Propane (LP)	1,300	0.38
Fast burner	Natural Gas (NG)	2,000	0.59
	Propane (LP)	2,100	0.62

Help protect our environment

Disposal of packing materials

The cardboard box and packing materials are biodegradable and recyclable. Please recycle.

Ensure that any plastic wrappings, bags, etc. are disposed of safely and kept out of the reach of children.

Danger of suffocation!

Disposal of an old appliance

Old appliances contain materials that can be recycled. Please contact your local recycling authority about the possibility of recycling these materials.

Before discarding an old appliance disconnect it from the electrical supply and cut off the power cord to prevent it from becoming a hazard.

Please have the model and serial number of your appliance available before contacting Technical Service.

Miele

U.S.A.

Miele, Inc.

National Headquarters

9 Independence Way
Princeton, NJ 08540
Phone: 800-843-7231
609-419-9898
Fax: 609-419-4298
www.mieleusa.com

Technical Service & Support Nationwide

Phone: 800-999-1360
Fax: 888-586-8056
TechnicalService@mieleusa.com



Canada

**Importer
Miele Limited**

Headquarters and Miele Centre

161 Four Valley Drive
Vaughan, ON L4K 4V8
www.miele.ca

Customer Care Centre

Phone: 800-565-6435
905-532-2272
customercare@miele.ca

Germany

Manufacturer
Miele & Cie. KG
Carl-Miele-Straße 29
33332 Gütersloh

INFORMATION IS SUBJECT TO CHANGE. PLEASE REFER TO OUR WEBSITE TO OBTAIN THE MOST CURRENT PRODUCT SPECIFICATIONS, TECHNICAL & WARRANTY INFORMATION.

KM 3010



en - US, CA

M.-Nr. 09 317 500 / 01