



GAS DOUBLE OVEN RANGE USER INSTRUCTIONS

THANK YOU for purchasing this high-quality product. Register your range at www.maytag.com. In Canada, register your range at www.maytag.ca.

For future reference, please make a note of your product model and serial numbers. These can be located on the serial plates. The serial plates are located behind the control panel. You may view them by rotating the serial plates up.

Model Number _____ Serial Number _____

Para una versión de estas instrucciones en español, visite www.maytag.com.

Deberá tener los números de modelo y serie, que se pueden encontrar en las placas de serie detrás del panel de control. Los puede ver al rotar hacia arriba las placas de serie.

Table of Contents

RANGE SAFETY	2
The Anti-Tip Bracket	3
FEATURE GUIDE	4
COOKTOP USE	6
Sealed Surface Burners	6
Grates	7
Burner Size	7
Cookware	7
Home Canning	8
OVEN USE	9
Electronic Oven Controls	9
Keep Warm	10
Sabbath Mode	10
Aluminum Foil	11
Positioning Racks and Bakeware	11
Oven Vents	12
Baking and Roasting	12
Broiling	12
Lower Oven Convection Cooking	12
Favorite	13
Cook Time	13
RANGE CARE	14
Self-Cleaning Cycle	14
General Cleaning	15
Oven Lights	15
TROUBLESHOOTING	16
ACCESSORIES	18
WARRANTY	19

RANGE SAFETY

Your safety and the safety of others are very important.

We have provided many important safety messages in this manual and on your appliance. Always read and obey all safety messages.



This is the safety alert symbol.

This symbol alerts you to potential hazards that can kill or hurt you and others.

All safety messages will follow the safety alert symbol and either the word "DANGER" or "WARNING."

These words mean:

⚠ DANGER

You can be killed or seriously injured if you don't immediately follow instructions.

⚠ WARNING

You can be killed or seriously injured if you don't follow instructions.

All safety messages will tell you what the potential hazard is, tell you how to reduce the chance of injury, and tell you what can happen if the instructions are not followed.

WARNING: If the information in these instructions is not followed exactly, a fire or explosion may result causing property damage, personal injury or death.

- Do not store or use gasoline or other flammable vapors and liquids in the vicinity of this or any other appliance.
- **WHAT TO DO IF YOU SMELL GAS:**
 - Do not try to light any appliance.
 - Do not touch any electrical switch.
 - Do not use any phone in your building.
 - Immediately call your gas supplier from a neighbor's phone. Follow the gas supplier's instructions.
 - If you cannot reach your gas supplier, call the fire department.
- Installation and service must be performed by a qualified installer, service agency or the gas supplier.

WARNING: Gas leaks cannot always be detected by smell.

Gas suppliers recommend that you use a gas detector approved by UL or CSA.

For more information, contact your gas supplier.

If a gas leak is detected, follow the "What to do if you smell gas" instructions.

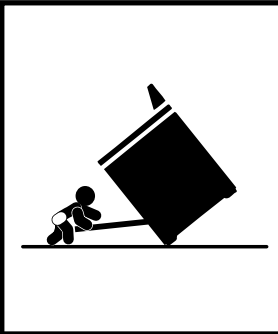
State of California Proposition 65 Warnings:

WARNING: This product contains one or more chemicals known to the State of California to cause cancer.

WARNING: This product contains one or more chemicals known to the State of California to cause birth defects or other reproductive harm.

The Anti-Tip Bracket

The range will not tip during normal use. However, the range can tip if you apply too much force or weight to the open door without the anti-tip bracket fastened down properly.



⚠ WARNING

Tip Over Hazard

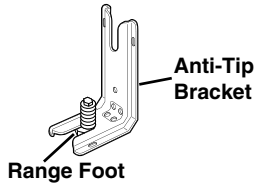
A child or adult can tip the range and be killed.

Verify the anti-tip bracket has been properly installed and engaged per installation instructions.

Re-engage anti-tip bracket if range is moved.

Do not operate range without anti-tip bracket installed and engaged.

Failure to follow these instructions can result in death or serious burns to children and adults.



To verify the anti-tip bracket is installed and engaged:

- Slide range forward.
- Look for the anti-tip bracket securely attached to floor or wall.
- Slide range back so rear range foot is under anti-tip bracket.
- See installation instructions for details.

IMPORTANT SAFETY INSTRUCTIONS

WARNING: To reduce the risk of fire, electrical shock, injury to persons, or damage when using the range, follow basic precautions, including the following:

- **WARNING:** TO REDUCE THE RISK OF TIPPING OF THE RANGE, THE RANGE MUST BE SECURED BY PROPERLY INSTALLED ANTI-TIP DEVICES. TO CHECK IF THE DEVICES ARE INSTALLED PROPERLY, SLIDE RANGE FORWARD, LOOK FOR ANTI-TIP BRACKET SECURELY ATTACHED TO FLOOR OR WALL, AND SLIDE RANGE BACK SO REAR RANGE FOOT IS UNDER ANTI-TIP BRACKET.
- **WARNING:** NEVER use this appliance as a space heater to heat or warm the room. Doing so may result in carbon monoxide poisoning and overheating of the oven.
- **WARNING:** NEVER cover any slots, holes or passages in the oven bottom or cover an entire rack with materials such as aluminum foil. Doing so blocks air flow through the oven and may cause carbon monoxide poisoning. Aluminum foil linings may also trap heat, causing a fire hazard.
- **CAUTION:** Do not store items of interest to children in cabinets above a range or on the backguard of a range – children climbing on the range to reach items could be seriously injured.

- Proper Installation – The range, when installed, must be electrically grounded in accordance with local codes or, in the absence of local codes, with the *National Electrical Code, ANSI/NFPA 70*. In Canada, the range must be electrically grounded in accordance with Canadian Electrical Code. Be sure the range is properly installed and grounded by a qualified technician.
- This range is equipped with a three-prong grounding plug for your protection against shock hazard and should be plugged directly into a properly grounded receptacle. Do not cut or remove the grounding prong from this plug.
- Disconnect power before servicing.
- Injuries may result from the misuse of appliance doors or drawers such as stepping, leaning, or sitting on the doors or drawers.
- Maintenance – Keep range area clear and free from combustible materials, gasoline, and other flammable vapors and liquids.
- Storage in or on the Range – Flammable materials should not be stored in an oven or near surface units.
- Top burner flame size should be adjusted so it does not extend beyond the edge of the cooking utensil.

For self-cleaning ranges –

- Before Self-Cleaning the Oven – Remove broiler pan and other utensils. Wipe off all excessive spillage before initiating the cleaning cycle.

SAVE THESE INSTRUCTIONS

FEATURE GUIDE

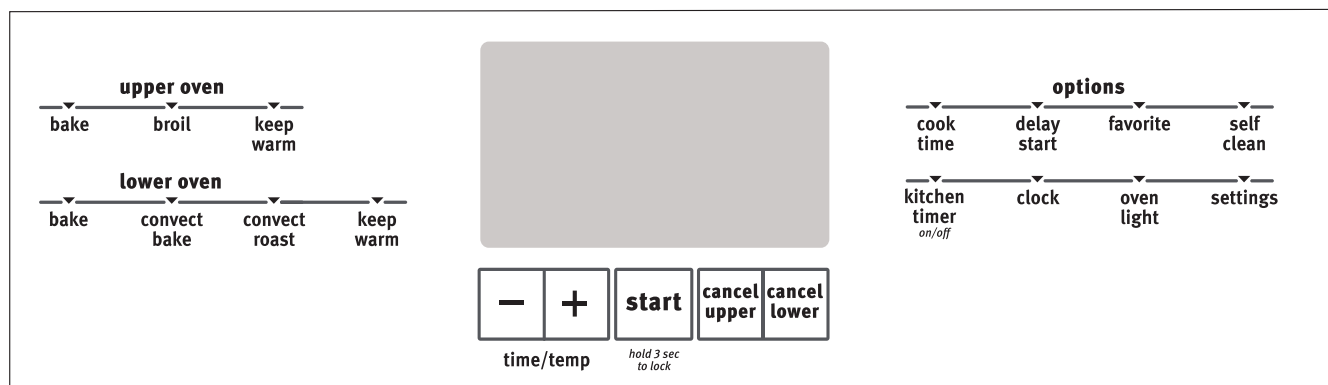
This manual covers several models. Your model may have some or all of the items listed. Refer to this manual or the Product Help section of our website at www.maytag.com for more detailed instructions. In Canada, refer to the Product Help section at www.maytag.ca.

⚠ WARNING

Food Poisoning Hazard

Do not let food sit in oven more than one hour before or after cooking.

Doing so can result in food poisoning or sickness.



Keypad	Feature	Instructions
CLOCK	Clock	This clock can use a 12- or 24-hour cycle. See the “Electronic Oven Controls” section. <ol style="list-style-type: none"> 1. Press CLOCK. 2. Press the Time/Temp “+” keypad for AM or “-” keypad for PM. 3. Press the Time/Temp “+” or “-” keypad to set the time of day. Press and hold to scroll quickly. 4. Press CLOCK or START.
OVEN LIGHT	Oven cavity light	While the oven doors are closed, press OVEN LIGHT to turn the lights on and off. The oven lights will come on when an oven door is opened.
KITCHEN TIMER ON/OFF	Oven timer	The Timer can be set in hours or minutes up to 9 hours and 59 minutes. <ol style="list-style-type: none"> 1. Press KITCHEN TIMER. 2. Press the Time/Temp “+” or “-” keypad to set the length of time in hr-min-min. 3. Press KITCHEN TIMER to begin the countdown. If enabled, timer tone(s) will sound at the end of countdown. 4. Press KITCHEN TIMER to cancel the Timer and return to the time of day. Do not press the Cancel keypads because the oven will turn off.
START	Cooking start	The Start keypad begins any oven function. If Start is not pressed within 2 minutes after pressing a keypad, the function is canceled and the time of day is displayed.
CANCEL UPPER CANCEL LOWER	Range function	The upper and lower Cancel keypads stop any oven function except the Clock, Timer, and Control Lock in the selected oven.
BAKE UPPER BAKE LOWER	Baking and roasting	<ol style="list-style-type: none"> 1. Press BAKE for the desired oven. 2. Press the Time/Temp “+” or “-” keypad to set the desired temperature. Press and hold to scroll quickly. The temperature will not scroll past the minimum or maximum allowable temperature. 3. (Lower oven, single rack baking only) Press START. Rapid preheat will begin. IMPORTANT: Rapid Preheat should be used only for one-rack baking. 4. (Multiple rack baking) Press START. Press START again to cancel Rapid Preheat. 5. To change the temperature, repeat Step 2. Press START for the change to take effect. 6. Press CANCEL for the selected oven when finished.

Keypad	Feature	Instructions
BROIL (upper only)	Broiling	<ol style="list-style-type: none"> 1. Press BROIL. 2. Press the Time/Temp “+” or “-” keypad to set the desired temperature. Press and hold to scroll quickly. The temperature will not scroll past the minimum or maximum allowable temperature. 3. Press START. No preheating is necessary. 4. Position the cookware in the oven. Close the door. 5. Press CANCEL UPPER when finished.
CONVECT BAKE	Convection cooking	<ol style="list-style-type: none"> 1. Press CONVECT BAKE. 2. Press the Time/Temp “+” or “-” keypad to set the desired temperature. Press and hold to scroll quickly. The temperature will not scroll past the minimum or maximum allowable temperature. 3. (Lower oven, single rack baking only) Press START. Rapid Preheat will begin. IMPORTANT: Rapid Preheat should be used only for one-rack baking. 4. (Multiple rack baking) Press START. Press START again to cancel Rapid Preheat. 5. To change the temperature, repeat Step 2. Press START for the change to take effect. 6. Press CANCEL LOWER when finished.
CONVECT ROAST	Convection cooking	<ol style="list-style-type: none"> 1. Press CONVECT ROAST. 2. Press the Time/Temp “+” or “-” keypad to set the desired temperature. Press and hold to scroll quickly. The temperature will not scroll past the minimum or maximum allowable temperature. 3. Press START. 4. To change the temperature, repeat Step 2. Press START for the change to take effect. 5. Press CANCEL LOWER when finished.
FAVORITE	Favorite	<p>The Favorite feature allows you to save time and temperature settings from any active cook function.</p> <ol style="list-style-type: none"> 1. Press and hold FAVORITE. 2. Press the Time/Temp “+” or “-” keypad to select the oven in use. 3. The cooking function is now stored as a Favorite, and the control resumes operation of the saved cooking function.
KEEP WARM UPPER KEEP WARM LOWER	Hold warm	<p>Food must be at serving temperature before placing it in the warmed oven.</p> <ol style="list-style-type: none"> 1. Press KEEP WARM for the desired oven. 2. Press the Time/Temp “+” or “-” keypad to set the desired temperature. Press and hold to scroll quickly. The temperature will not scroll past the minimum or maximum allowable temperature. 3. Press START. 4. Press CANCEL for the selected oven when finished.
DELAY START	Delayed start	<p>The Delay Start keypad is used to enter the starting time for an oven function with a delayed start. Delay Start should not be used for foods such as breads and cakes because they may not bake properly.</p> <p>To set a Timed Cook or a Delayed Timed Cook, see the “Cook Time” section.</p>
COOK TIME	Timed cooking	<p>Cook Time allows the oven to be set to turn on at a certain time of day, cook for a set length of time, and/or shut off automatically.</p> <p>To set a Timed Cook or a Delayed Timed Cook, see the “Cook Time” section.</p>
SELF CLEAN	Self-cleaning cycle	See the “Self-Cleaning Cycle” section.
START hold 3 sec. to lock	Oven control lockout	<ol style="list-style-type: none"> 1. Check that the ovens and timers are off. 2. Press and hold START for 3 seconds. 3. If enabled, a tone will sound and “CONTROL LOCKED” will be displayed. 4. Repeat to unlock. No keypads will function with the controls locked.
SETTINGS	Oven use functions	Enables you to personalize the audible tones and oven operation to suit your needs. See the “Oven Use” section.

COOKTOP USE

⚠ WARNING



Fire Hazard

Do not let the burner flame extend beyond the edge of the pan.

Turn off all controls when not cooking.

Failure to follow these instructions can result in death or fire.

Electric igniters automatically light the surface burners when control knobs are turned to IGNITE.

Before setting a control knob, place filled cookware on the grate. Do not operate a burner using empty cookware or without cookware on the grate.

The flame should be adjusted so it does not extend beyond the edge of the pan.

NOTE: Visually check that the burner has lit. If the burner does not ignite, listen for a clicking sound. If you do not hear the igniter click, turn the burner off. Check for a tripped circuit breaker or blown household fuse.

Check that the control knob is pressed completely down on the valve shaft. If the spark igniter still does not operate, call a trained repair specialist.

To Set:

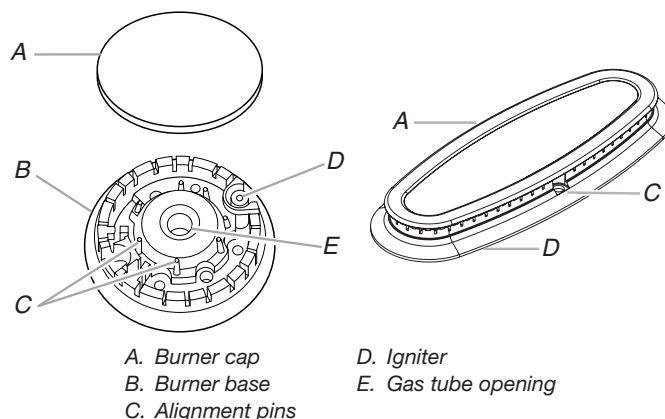
1. Push in and turn knob counterclockwise to IGNITE.
All surface burners will click. Only the burner with the control knob turned to IGNITE will produce a flame.
2. Turn knob to anywhere between Hi and Lo.

REMEMBER: When range is in use or (on some models) during the Self-Cleaning cycle, the entire cooktop area may become hot.

Power Failure

In case of a prolonged power failure, the surface burners cannot be lit manually. No attempt should be made to operate the appliance during a power failure.

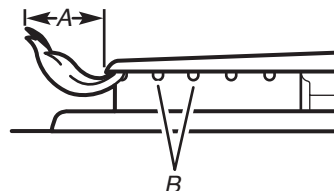
Sealed Surface Burners



IMPORTANT: Do not obstruct the flow of combustion and ventilation air around the burner grate edges.

Burner Cap: Always keep the burner cap in place when using a surface burner. A clean burner cap will help avoid poor ignition and uneven flames. Always clean the burner cap after a spillover, and routinely remove and clean the caps according to the “General Cleaning” section.

Gas Tube Opening: Gas must flow freely throughout the gas tube opening for the burner to light properly. Keep this area free of soil and do not allow spills, food, cleaning agents, or any other material to enter the gas tube opening. Keep spillovers out of the gas tube opening by always using a burner cap.



A. 1" to 1½" (2.5 cm to 3.8 cm)
B. Burner ports

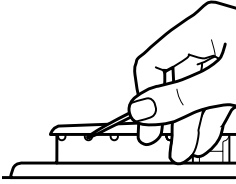
Burner Ports: Check burner flames occasionally for proper size and shape as shown in the previous illustration. A good flame is blue in color, not yellow. Keep this area free of soil and do not allow spills, food, cleaning agents, or any other material to enter the burner ports.

To Clean:

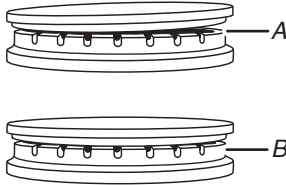
IMPORTANT: Before cleaning, make sure all controls are OFF and the cooktop is cool. Do not use oven cleaners, bleach, or rust removers.

1. Remove the burner cap and the burner base and clean according to the “General Cleaning” section.
2. Clean the gas tube opening with a damp cloth.

- Clean clogged burner ports with a straight pin as shown. Do not enlarge or distort the port. Do not use a wooden toothpick. If the burner needs to be adjusted, contact a trained repair specialist.



- Replace the burner cap, making sure the alignment pins are properly aligned with the burner cap.



A. Incorrect
B. Correct

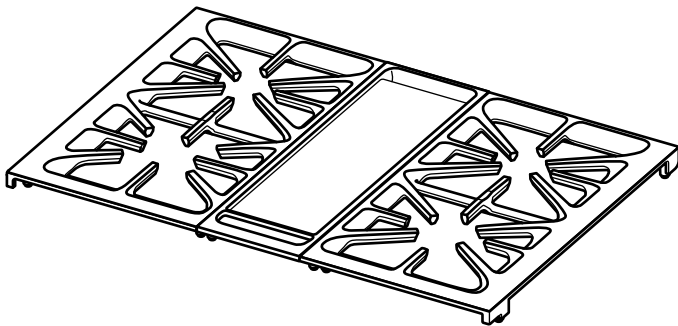
- Turn on the burner. If the burner does not light, check cap alignment. If the burner still does not light, do not service the sealed burner yourself. Contact a trained repair specialist.

Grates

On some models, the 2 grates are identical and can be used on either the left or right side of the cooktop. Grates that are designed for use on only 1 side of the cooktop will have either “LEFT” or “RIGHT” embossed on the bottom side of the grate. The middle griddle must be used in the center position between the left and right grates.

The grates must be properly positioned before cooking. In the proper position the grates should be flush and level. Improper installation of the grates may result in chipping or scratching of the cooktop.

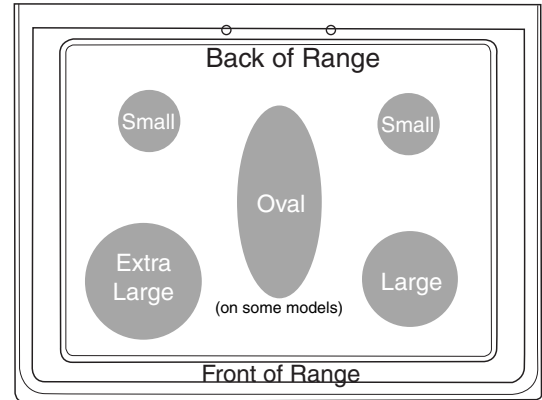
To ensure proper positioning, align bumpers on grate bottom with the indentations in the cooktop.



Although the burner grates are durable, they will gradually lose their shine and/or discolor due to the high temperatures of the gas flame.

Burner Size

Select a burner that best fits your cookware. See the following illustration and chart.



Burner Size	Recommended Use
Small	<ul style="list-style-type: none"> Low-heat cooking Melting chocolate or butter
Large	<ul style="list-style-type: none"> For large cookware
Extra-Large	<ul style="list-style-type: none"> For large cookware Most powerful burner
Oval	<ul style="list-style-type: none"> For longer dishes

Cookware

IMPORTANT: Do not leave empty cookware on a hot surface cooking area, element, or surface burner.

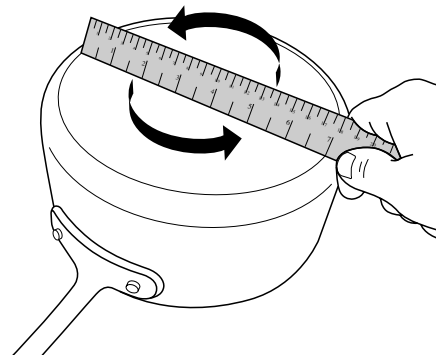
Ideal cookware should have a flat bottom, straight sides, and a well-fitting lid, and the material should be of medium-to-heavy thickness.

Rough finishes may scratch the cooktop or coils. Aluminum and copper may be used as a core or base in cookware. However, when used as a base, they can leave permanent marks on the grates.

Cookware material is a factor in how quickly and evenly heat is transferred which affects cooking results.

Cookware with nonstick surfaces should not be used under the broiler.

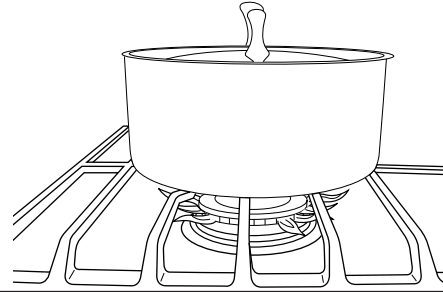
Check for flatness by placing the straight edge of a ruler across the bottom of the cookware. While you rotate the ruler, no space or light should be visible between it and the cookware.



Use the following chart as a guide for cookware material characteristics.

Cookware	Characteristics
Aluminum	<ul style="list-style-type: none"> ■ Heats quickly and evenly. ■ Suitable for all types of cooking ■ Medium or heavy thickness is best for most cooking tasks.
Cast iron	<ul style="list-style-type: none"> ■ Heats slowly and evenly. ■ Good for browning and frying ■ Maintains heat for slow cooking.
Ceramic or ceramic glass	<ul style="list-style-type: none"> ■ Follow manufacturer's instructions. ■ Heats slowly but unevenly. ■ Ideal results on low-to-medium heat settings
Copper	<ul style="list-style-type: none"> ■ Heats very quickly and evenly. ■ May leave copper residues which may be diminished if cleaned immediately after cooking.
Earthenware	<ul style="list-style-type: none"> ■ Follow manufacturer's instructions. ■ Use on low heat settings.
Porcelain enamel-on-steel or cast iron	<ul style="list-style-type: none"> ■ See stainless steel or cast iron.
Stainless steel	<ul style="list-style-type: none"> ■ Heats quickly but unevenly. ■ A core or base of aluminum or copper on stainless steel provides even heating.

For best results, the cookware should be centered above the burner with the bottom sitting level on the grate. The flame should be adjusted so that it does not extend up the sides of the pan.



Home Canning

When canning for long periods, alternate the use of surface burners between batches. This allows time for the most recently used areas to cool.

- Center the canner on the grate above the burner.
- Do not place canner on 2 surface burners at the same time.
- For more information, contact your local agricultural extension office or refer to published home canning guides. Companies that manufacture home canning products can also offer assistance.

OVEN USE

Odors and smoke are normal when the oven is used the first few times or when it is heavily soiled.

IMPORTANT: The health of some birds is extremely sensitive to the fumes given off. Exposure to the fumes may result in death to certain birds. Always move birds to another closed and well-ventilated room.

Electronic Oven Controls

Control Display

The display will flash when powered up or after a power loss. Press CANCEL to clear. When the oven is not in use, the time of day is displayed.

Tones

Tones are audible signals, indicating the following:

One Tone

- Valid keypad press
- Oven is preheated (long tone).
- Kitchen timer (long tone with reminder tone every minute)
- Function has been entered.

Three Tones

- Invalid keypad press

Four Tones

- End of cycle (with reminder tone every minute)

Use the Settings keypad to change the tone settings.

Settings

Many features of the oven control can be adjusted to meet your personal needs. These changes are made using the Settings keypad.

Use the Settings keypad to scroll through the features that can be changed. Each press of the Settings keypad will advance the display to the next setting. After selecting the feature to be changed, the control will prompt you for the required input. Details of all of the feature changes are explained in the following sections.

Press CANCEL UPPER or CANCEL LOWER to exit Settings.

Fahrenheit and Celsius

The temperature is preset to Fahrenheit, but it can be changed to Celsius.

1. Press SETTINGS until "TEMP UNIT" is displayed.
2. The current setting will be displayed.
3. Press the Time/Temp "+" keypad to adjust the setting.
4. Press CANCEL UPPER or CANCEL LOWER to exit and display the time of day.

Audible Tones Disable

Turns off all tones, including the end-of-cycle tone and keypress tones.

1. Press SETTINGS until "SOUND" is displayed.
2. The current setting will be displayed.
3. Press the Time/Temp "+" keypad to adjust the setting.
4. Press CANCEL UPPER or CANCEL LOWER to exit and display the time of day.

Sound Volume

Sets the pitch of the tone to either high or low.

1. Press SETTINGS until "SOUND VOLUME" is displayed.
2. The current setting will be displayed.
3. Press the Time/Temp "+" keypad to adjust the setting.
4. Press CANCEL UPPER or CANCEL LOWER to exit and display the time of day.

End-of-Cycle Tone

Activates or turns off the tones that sound at the end of a cycle.

1. Press SETTINGS until "END TONE" is displayed.
2. The current setting will be displayed.
3. Press the Time/Temp "+" keypad to adjust the setting.
4. Press CANCEL UPPER or CANCEL LOWER to exit and display the time of day.

Keypress Tones

Activates or turns off the tones when a keypad is pressed.

1. Press SETTINGS until "KEYPRESS TONE" is displayed.
2. The current setting will be displayed.
3. Press the Time/Temp "+" keypad to adjust the setting.
4. Press CANCEL UPPER or CANCEL LOWER to exit and display the time of day.

Reminder Tones Disable

Turns off the short repeating tone that sounds every 1 minute after the end-of-cycle tones.

1. Press SETTINGS until "REMINDER TONE" is displayed.
2. The current setting will be displayed.
3. Press the Time/Temp "+" keypad to adjust the setting.
4. Press CANCEL UPPER or CANCEL LOWER to exit and display the time of day.

12/24 Hour Clock

1. Press SETTINGS until "12/24 HOUR" is displayed.
2. The current setting will be displayed.
3. Press the Time/Temp "+" keypad to adjust the setting.
4. Press CANCEL UPPER or CANCEL LOWER to exit and display the time of day.

Demo Mode

IMPORTANT: This feature is intended for use on the sales floor with 120 V power connection and permits the control features to be demonstrated without the oven turning on. If this feature is activated, the oven will not heat.

1. Press SETTINGS until "DEMO MODE" is displayed.
2. The current setting will be displayed.
3. Press the Time/Temp "+" keypad to adjust the setting.
4. Press CANCEL UPPER or CANCEL LOWER to exit and display the time of day.

12-Hour Shut-Off

The oven control is set to automatically shut off the oven 12 hours after the oven initiates a cook or clean function. This will not interfere with any timed or delay cook functions.

1. Press SETTINGS until "12 HR AUTO CANCEL" is displayed.
2. The current setting will be displayed.
3. Press the Time/Temp "+" keypad to adjust the setting.
4. Press CANCEL UPPER or CANCEL LOWER to exit and display the time of day.

Languages - Scrolling Display Text

Language options are English, Spanish, and French.

1. Press SETTINGS until "LANGUAGE" is displayed.
2. The current setting will be displayed.
3. Press the Time/Temp "+" or "-" keypad to adjust the setting.
4. Press CANCEL UPPER or CANCEL LOWER to exit and display the time of day.

Energy Save

The Energy Save mode deactivates the display to reduce energy consumption. The setting will be activated after being idle for several minutes. Any mode may be used with the range in Energy Save by selecting the desired mode.

1. Press SETTINGS until "ENERGY SAVE" is displayed.
2. The current setting will be displayed.
3. Press the Time/Temp "+" keypad to adjust the setting.
4. Press CANCEL UPPER or CANCEL LOWER to exit and display the time of day.

Oven Temperature Offset Control

IMPORTANT: Do not use a thermometer to measure oven temperature. Elements will cycle on and off as needed to provide consistent temperature, but they may run slightly hot or cool at any point in time due to this cycling. Most thermometers are slow to react to temperature change and will not provide an accurate reading due to this cycling.

The oven provides accurate temperatures; however, it may cook faster or slower than your previous oven, so the temperature can be adjusted to personalize it for your cooking needs. It can be changed in Fahrenheit or Celsius.

To Adjust Oven Temperature:

1. Press SETTINGS until "TEMP CALIB" is displayed.
2. The current setting will be displayed. Press the Time/Temp "+" keypad to toggle between the upper and lower ovens.
3. Press START to select the choice displayed in Step 2. Wait 10 seconds for the display to change or press START, and then continue with Step 4.
4. Press the Time/Temp "+" keypad to increase the temperature in 5°F (3°C) increments, or press the Time/Temp "-" keypad to decrease the temperature in 5°F (3°C) increments. The range is from -30°F to +30°F (-18°C to +18°C).
5. Press START.
6. Press CANCEL UPPER or CANCEL LOWER to exit and display the time of day.

Keep Warm

⚠ WARNING

Food Poisoning Hazard

Do not let food sit in oven more than one hour before or after cooking.

Doing so can result in food poisoning or sickness.

IMPORTANT: Food must be at serving temperature before placing it in the warmed oven. Food may be held up to 1 hour; however, breads and casseroles may become too dry if left in the oven during the Keep Warm function. For best results, cover food.

The Keep Warm feature allows hot cooked foods to stay at serving temperature.

To Use:

1. Press KEEP WARM for the desired oven.
2. Press the Time/Temp "+" or "-" keypad to set the desired temperature. Press and hold to scroll quickly. The temperature will not scroll past the minimum or maximum allowable temperature.
NOTE: The temperature may be changed at any time by pressing the Time/Temp "+" or "-" keypad to enter the desired temperature and then START.
3. Press START.
4. Place food in the oven.
5. Press CANCEL for the selected oven when finished.
6. Remove food from the oven.

To Cancel Keep Warm:

1. Press CANCEL for the selected oven.
2. Remove food from oven.

Sabbath Mode

The Sabbath mode sets the oven to remain on in a bake setting until turned off.

When the Sabbath mode is set, only the Bake cycle will operate. All other cooking and cleaning cycles are disabled. No tones will sound and the displays will not indicate temperature changes.

When the oven door is opened or closed, the oven light will not turn on or off and the oven heating elements will not turn on or off immediately.

To Enable Sabbath Mode Capability (one time only):

1. Press SETTINGS until "SABBATH" is displayed.
2. Press the Time/Temp "+" keypad. Sabbath mode can be activated for baking.
3. Press CANCEL UPPER or CANCEL LOWER to save the setting and exit to display the time of day.

NOTE: To disable the Sabbath mode, repeat steps 1 through 3 to change the status from "SABBATH ON" to "SABBATH OFF."

To Activate Sabbath Mode:

1. Press BAKE for the desired oven.
2. Press the Time/Temp "+" or "-" keypad to set the desired temperature. Press and hold to scroll quickly. The temperature will not scroll past the minimum or maximum allowable temperature.
3. Press START.
For timed cooking in Sabbath mode, press COOK TIME, and then press the Temp/Time "+" or "-" keypad to set the desired cook time. Press START.
4. (Optional) If Sabbath mode is to be used for both ovens, repeat steps 1 through 3 for the second oven.

5. Press SETTINGS. Three tones will sound. Then press and hold KITCHEN TIMER for several seconds until "SAb" appears in the display.

To Adjust Temperature (when Sabbath mode is running in only one oven):

1. Press the Temp/Time "+" or "-" keypad as instructed by the scrolling text to select the new temperature.
NOTE: The temperature adjustment will not appear on the display and no tones will sound. The scrolling text will be shown on the display as it was before the keypad was pressed.
2. Press START.

To Adjust Temperature (when Sabbath mode is running in both ovens):

1. Press BAKE for the desired oven.
2. Press the Temp/Time "+" or "-" keypad as instructed by the scrolling text to select the new temperature.
NOTE: The temperature adjustment will not appear on the display and no tones will sound. The scrolling text will be shown on the display as it was before the keypad was pressed.
3. Press START.

To Deactivate Sabbath Mode:

Press SETTINGS, then press and hold KITCHEN TIMER to return to regular baking or press CANCEL UPPER or CANCEL LOWER to turn off the oven(s).

Aluminum Foil

IMPORTANT: To avoid permanent damage to the oven bottom finish, do not line the oven bottom with any type of foil or liner. For best cooking results, do not cover entire oven rack with foil because air must be able to move freely.

Positioning Racks and Bakeware

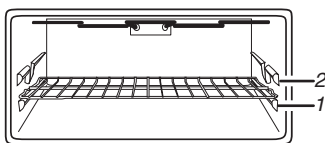
IMPORTANT: To avoid permanent damage to the porcelain finish, do not place food or bakeware directly on the oven door or bottom.

Racks

- Position racks before turning on the oven.
- Do not position racks with bakeware on them.
- Make sure racks are level.
- Place food so it will not rise into the broil element. Allow at least 1/2" (1.3 cm) between pans and the broil element.

To move a rack, pull it out to the stop position, raise the front edge, and then lift it out. Use the following illustrations and charts as a guide for positioning racks.

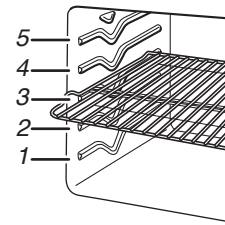
Rack Positions - Upper Oven



Baking and Broiling

Food	Rack Position
All foods	1

Rack Positions - Lower Oven



Food	Rack Position
Large roasts or poultry	1
Roasted meats	2
Most baked goods, casseroles	3
Broiled meats, poultry, fish	4
Broiling/searing meats, hamburgers, steaks	5

For hamburger patties to have a well-seared exterior and a rare interior in the lower oven, use a flat rack in rack position 5. Side 1 should cook for approximately 2 1/2 to 3 1/2 minutes. Side 2 should cook for approximately 4 to 5 minutes. Expect a moderate degree of smoke when broiling.

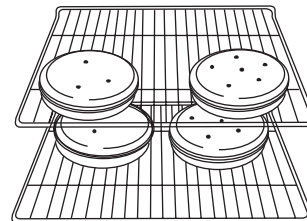
Multiple Rack Cooking

2-rack: Use rack positions 2 and 4 for regular baking.

2-rack (convection only): Use rack positions 2 and 4 for convection baking.

Baking Layer Cakes on 2 Racks

For best results when baking cakes on 2 racks, use rack positions 2 and 4 with the Convection Bake function. Place the cakes on the racks as shown.



Baking Cookies on 2 Racks

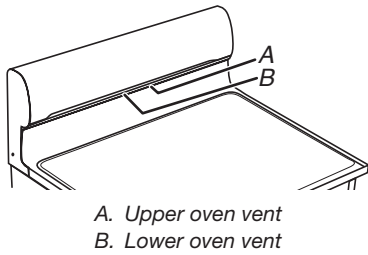
For best results when baking cookies on 2 racks, use rack positions 2 and 4 with the Bake function.

Bakeware

To cook food evenly, hot air must be able to circulate. Allow 2" (5 cm) of space around bakeware and oven walls. Use the following chart as a guide.

Number of Pan(s)	Position on Rack
1	Center of rack
2	Side by side
3 or 4	Refer to the previous illustration.

Oven Vents



A. Upper oven vent
B. Lower oven vent

The oven vents release hot air and moisture from the ovens and should not be blocked or covered. Blocking or covering the vents will cause poor air circulation, affecting cooking and cleaning results. Do not set plastics, paper, or other items that could melt or burn near the oven vents.

Baking and Roasting

Preheating

When beginning a Bake cycle, the oven will begin preheating after Start is pressed. The oven will take approximately 12 to 15 minutes to reach 350°F (177°C) with all of the oven racks provided with your oven inside the oven cavity. Higher temperatures will take longer to preheat. The preheat cycle rapidly increases the oven temperature. The actual oven temperature will go above your set temperature to offset the heat lost when your oven door is opened to insert food. This ensures that when you place your food in the oven, the oven will begin at the proper temperature. Insert your food when the preheat tone sounds. Do not open the door during preheat before the tone sounds.

Rapid Preheat

Rapid Preheat can be used to shorten the preheating time. Only one standard flat oven rack should be in the oven during Rapid Preheat. Extra racks should be removed prior to starting Rapid Preheat. The preheating cycle should be completed before placing food in the oven. When the Rapid Preheat cycle is complete, the oven starts a normal Bake cycle.

IMPORTANT: Rapid Preheat should be used only for single-rack baking.

Oven Temperature

While in use, the oven elements will cycle on and off as needed to maintain a consistent temperature, but they may run slightly hot or cool at any point in time due to this cycling. Opening the oven door while in use will release the hot air and cool the oven which could impact the cooking time and performance. It is recommended to use the oven light to monitor cooking progress.

NOTE: On models with convection, the convection fan may run in the non-convection Bake mode to improve oven performance.

Temperature Management System

The Temperature Management System electronically regulates the oven heat levels during preheat and bake to maintain a precise temperature range for optimal cooking results. The bake and broil elements or burners cycle on and off in intervals. On convection range models, the fan will run while preheating and may be cycled on and off for short intervals during bake to provide the best results. This feature is automatically activated when the oven is in use.

Before baking and roasting, position racks according to the “Positioning Racks and Bakeware” section. When roasting, it is not necessary to wait for the oven preheat cycle to end before putting food in unless it is recommended in the recipe.

Broiling

Close the oven door while broiling. No preheating is necessary. Position food on grid in a broiler pan, and then place it in the center of the oven rack.

NOTE: Odors and smoke are normal the first few times the oven is used or if the oven is heavily soiled.

Changing the temperature when broiling allows more precise control when cooking. The lower the broil setting is, the slower the cooking. Thicker cuts and unevenly shaped pieces of meat, fish, and poultry may cook better at lower broil settings. Refer to the “Positioning Racks and Bakeware” section for more information.

On lower settings, the broil element will cycle on and off to maintain the proper temperature.

- For best results, use a broiler pan and grid. It is designed to drain juices and help avoid spatter and smoke.

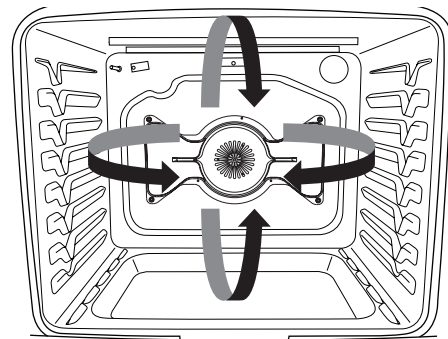
If you would like to purchase a broiler pan, one may be ordered. See the “Accessories” section.

Lower Oven Convection Cooking

In a convection oven, the fan-circulated hot air continually distributes heat more evenly than the natural movement of air in a standard thermal oven. This movement of hot air helps maintain a consistent temperature throughout the oven, cooking foods more evenly, crisping surfaces while sealing in moisture, and yielding crustier breads.

If the oven door is opened during convection cooking, the fan will turn off immediately. It will come back on when the oven door is closed.

NOTE: The oven door must be closed for convection broiling.



Position the racks according to the “Positioning Racks and Bakeware” section before starting convection cooking.

With convection cooking, most foods can be cooked at a lower temperature or for a shorter length of time. These adjustments can be made using the following chart.

Setting	Guidelines
CONVECT BAKE	Reduce the standard baking temperature 25°F (15°C).
CONVECT BROIL	Use standard recipe temperature. Cooking time may be reduced, so the food should be checked for doneness early.
CONVECT ROAST	Use standard recipe temperature. Cooking time may be reduced by 15 to 30% with Convection Roast, so the food should be checked for doneness early.

Bow Tie True Convection

True convection adds an electric element around the convection fan to enhance the cooking performance. Use the following Convection Options chart as a guide.

Convection Options

Setting	Foods
CONVECT BAKE	Single or multiple-rack baking for cookies, biscuits, breads, casseroles, tarts, tortes
CONVECT BROIL	Thicker cuts or unevenly shaped pieces of meat, fish or poultry
CONVECT ROAST	Whole chicken or turkey, vegetables, pork roasts, beef roasts

Favorite

WARNING

Food Poisoning Hazard

Do not let food sit in oven more than one hour before or after cooking.

Doing so can result in food poisoning or sickness.

The Favorite feature allows you to save the time and temperature settings from any active cook function. Only one favorite is allowed for each oven.

To Save a Cooking Function as a Favorite:

1. Press and hold FAVORITE.
2. Press the Time/Temp “+” or “-” keypad to select the oven in use.
3. The cooking function is now stored as a Favorite, and the control resumes operation of the saved cooking function.

To Recall and Start a Favorite:

1. Press FAVORITE.
2. Press the Time/Temp “+” or “-” keypad to select the oven in use.
3. Press START.
The set temperature can be changed by pressing the Time/Temp “+” or “-” keypad and then START. Similarly, the Cook Time can be changed by pressing COOK TIME, the Time/Temp “+” or “-” keypad to adjust to the desired time, and then START. If the cook time is adjusted, the time remaining is replaced by the new time.
4. Place food in the oven.
5. Press CANCEL for the oven that is being used when finished.
6. Remove food from the oven.

To Cancel a Favorite Cycle:

1. Press CANCEL for the desired oven.
The stored Favorite cycle will not be affected.
2. Remove food from the oven.

Cook Time

WARNING

Food Poisoning Hazard

Do not let food sit in oven more than one hour before or after cooking.

Doing so can result in food poisoning or sickness.

To Set a Timed Cook:

1. Press the keypad for any cooking function except Self-Clean or Keep Warm.
2. Press the Time/Temp “+” or “-” keypad to set the desired temperature. Press and hold to scroll quickly. The temperature will not scroll past the minimum or maximum allowable temperature.
3. Press COOK TIME.
4. Press the Time/Temp “+” or “-” keypad to enter the length of time to cook.
5. Press START. The display will count down the time. When the time ends, the oven will shut off automatically.
The temperature and/or time setting can be changed at any time by repeating steps 2 through 5.
NOTE: If cooking in both ovens, press any number on the keypad, then follow the on-screen prompts to select the desired oven before entering temperature.
6. Press CANCEL for the desired oven to clear the display.

To Set a Delayed Timed Cook:

1. Press DELAY START.
2. Press the Time/Temp “+” or “-” keypad to select the desired oven.
3. Press the Time/Temp “+” or “-” keypad to enter the number of hours and/or minutes you want to delay the start time. Press and hold to scroll quickly.
4. Press the keypad for any cooking function except Keep Warm.
5. Press the Time/Temp “+” or “-” keypad to set the desired temperature. Press and hold to scroll quickly. The temperature will not scroll past the minimum or maximum allowable temperature.
6. Press START or COOK TIME.
7. Press the Time/Temp “+” or “-” keypad to enter the length of time to cook.
When the start time is reached, the oven will automatically turn on. The temperature and/or time settings can be changed after the delay countdown by repeating steps 1 through 7. When resetting the time and temperature, it is necessary to press START between steps 4 and 5 to continue making changes.
When the set cook time ends, the oven will shut off automatically.
9. Press CANCEL for the desired oven to clear the display.

RANGE CARE

Self-Cleaning Cycle

⚠ WARNING



Burn Hazard

Do not touch the oven during the Self-Cleaning cycle.

Keep children away from oven during Self-Cleaning cycle.

Failure to follow these instructions can result in burns.

IMPORTANT: The health of some birds is extremely sensitive to the fumes given off during the Self-Cleaning cycle. Exposure to the fumes may result in death to certain birds. Always move birds to another closed and well-ventilated room.

Keep the kitchen well-ventilated during the Self-Cleaning cycle to help get rid of heat, odors, and smoke.

Do not block the oven vent(s) during the Self-Cleaning cycle. Air must be able to move freely. Depending on your model, see the "Oven Vent" or "Oven Vents" section.

Do not clean, rub, damage, or move the oven door gasket.

Prepare Range:

- Remove the broiler pan, grid, cookware and bakeware, all cooking utensils, oven racks, aluminum foil, and, on some models, the temperature probe from the oven.
- Use a damp cloth to clean inside door edge and the 1 1/2" (38 mm) area around the inside oven cavity frame, being certain not to move or bend the gasket.
- Wipe out any loose soil to reduce smoke and avoid damage. At high temperatures, foods react with porcelain. Staining, etching, pitting, or faint white spots can result. This will not affect cooking performance.
- Remove plastic items from the cooktop because they may melt.

NOTE: The cooktop burners will not function during the Self-Cleaning cycle.

IMPORTANT:

- Oven temperature must be below 500°F (260°C) to program a cleaning cycle.
- Only 1 oven can be cleaned at a time.
- Both oven doors will lock when either oven is running the Self-Cleaning cycle.

How the Cycle Works

IMPORTANT: The heating and cooling of porcelain on steel in the oven may result in discoloring, loss of gloss, hairline cracks, and popping sounds.

The Self-Cleaning cycle uses very high temperatures, burning soil to a powdery ash.

Once the oven has completely cooled, remove ash with a damp cloth. To avoid breaking the glass, do not apply a cool damp cloth to the inner door glass before it has completely cooled.

The oven light is disabled during the Self-Cleaning cycle.

To stop the Self-Cleaning cycle at anytime, press CANCEL UPPER or CANCEL LOWER. If the temperature is too high, the oven doors will remain locked.

When "LOCK" shows in the display, the doors of the oven cannot be opened. To avoid damage to the doors, do not force the doors open when "LOCK" is displayed.

Before self-cleaning, make sure the doors are completely closed or the doors will not lock and the Self-Cleaning cycle will not begin.

NOTE: Only one oven can use the Self-Cleaning cycle at a time, and 12 hours must pass before the next Self-Cleaning cycle can begin.

The oven is preset for a 3-hour cleaning cycle; however, the time can be changed. Suggested cleaning times are 2 hours for light soil and between 3 hours and 4 hours for average to heavy soil.

Use the following chart as a guide to determine the desired cleaning level.

Cleaning Level	Recommended Cleaning Time (Includes a 30-Minute Cool-Down Time)
1 (Quick)	2 hours
2	2 hours 30 minutes
3	3 hours
4 (reg)	3 hours 30 minutes
5	4 hours
6 (Maxi)	4 hours 30 minutes

To Self-Clean:

1. Close the oven doors, and then press SELF CLEAN.
2. Press the Time/Temp "+" or "-" keypad to select the desired oven to clean.
3. Press the Time/Temp "+" or "-" keypad to select the desired clean level.
4. Press START.
The oven doors will automatically lock.
When the Self-Cleaning cycle is complete and the oven cools, the oven doors will unlock.
5. When the oven is completely cooled, remove ash with a damp cloth.

To Delay Start Self-Clean:

1. Close the oven doors, and then press DELAY START.
2. Press the Time/Temp "+" or "-" keypad to select the desired oven.
3. Press the Time/Temp "+" or "-" keypad to enter the desired amount of time by which you want to delay the start.
4. Press SELF CLEAN.
5. Press the Time/Temp "+" or "-" keypad to select the desired clean level.
6. Press START.
The oven doors will automatically lock after the Delay Start countdown.
When the Self-Cleaning cycle is complete and the oven cools, the oven doors will unlock.
7. When the oven is completely cooled, remove ash with a damp cloth.

General Cleaning

IMPORTANT: Before cleaning, make sure all controls are OFF and the oven and cooktop are cool. Always follow label instructions on cleaning products. For additional information, you can visit our website at www.maytag.com. In Canada, visit our website at www.maytag.ca.

Soap, water, and a soft cloth or sponge are suggested first unless otherwise noted.

EXTERIOR PORCELAIN ENAMEL SURFACES (on some models)

Food spills containing acids, such as vinegar and tomato, should be cleaned as soon as the entire range is cool. These spills may affect the finish.

Cleaning Method:

- Glass cleaner, mild liquid cleaner, or nonabrasive scrubbing pad:
Gently clean around the model/serial/rating plate because scrubbing may remove numbers.
- affresh® Kitchen and Appliance Cleaner Part Number W10355010 (not included):
See the “Accessories” section for more information.

STAINLESS STEEL (on some models)

NOTE: To avoid damage to stainless steel surfaces, do not use soap-filled scouring pads, abrasive cleaners, Cooktop Cleaner, steel-wool pads, gritty washcloths, or abrasive paper towels. Damage may occur to stainless steel surfaces, even with one-time or limited use.

Cleaning Method:

Rub in direction of grain to avoid damaging.

- affresh® Stainless Steel Cleaner Part Number W10355016 (not included):
See the “Accessories” section for more information.

METALLIC PAINT (on some models)

Do not use abrasive cleaners, cleaners with bleach, rust removers, ammonia, or sodium hydroxide (lye) because paint surface may stain.

PORCELAIN-COATED GRATES AND CAPS

Food spills containing acids, such as vinegar and tomato, should be cleaned as soon as the cooktop, grates, and caps are cool. These spills may affect the finish.

To avoid chipping, do not bang grates and caps against each other or hard surfaces such as cast iron cookware.

Do not reassemble caps on burners while wet.

Cleaning Method:

- Nonabrasive plastic scrubbing pad and mildly abrasive cleanser:
Clean as soon as cooktop, grates, and caps are cool.
- Dishwasher (grates only, not caps):
Use the most aggressive cycle. Cooked-on soils should be soaked or scrubbed before going into a dishwasher.
- Gas Grate and Drip Pan Cleaner Part Number 31617A (not included):
See the “Accessories” section for more information.

SURFACE BURNERS

- See the “Sealed Surface Burner” section.

COOKTOP CONTROLS

To avoid damage to the cooktop controls, do not use steel wool, abrasive cleansers, or oven cleaner.

To avoid damage, do not soak knobs. When replacing knobs, make sure knobs are in the Off position.

On some models, do not remove seals under knobs.

Cleaning Method:

- Soap and water:
Pull knobs straight away from control panel to remove.

GRIDDLE

To avoid damaging the nonstick surface, do not clean the griddle in the dishwasher or use steel wool and abrasive cleaners.

Cleaning Method:

- Mild detergent

CONTROL PANEL AND OVEN DOOR EXTERIOR

To avoid damage to the control panel, do not use abrasive cleaners, steel-wool pads, gritty washcloths, or abrasive paper towels.

Cleaning Method:

- Glass cleaner and soft cloth or sponge:
Apply glass cleaner to soft cloth or sponge, not directly on panel.
- affresh® Kitchen and Appliance Cleaner Part Number W10355010 (not included):
See the “Accessories” section for more information.

OVEN RACKS

Cleaning Method:

- Steel-wool pad
- For racks that have discolored and are harder to slide, a light coating of vegetable oil applied to the rack guides will help them slide.

OVEN CAVITY

Do not use oven cleaners.

Food spills should be cleaned when oven cools. At high temperatures, foods react with porcelain. Staining, etching, pitting, or faint white spots can result.

Cleaning Method:

- Clean cycle:
See the “Self-Cleaning Cycle” section.

Oven Lights

The oven lights are standard 40-watt appliance bulbs. Before replacing, make sure the oven and cooktop are cool and the control knobs are in the Off position.

To Replace:

1. Unplug range or disconnect power.
2. Turn the glass bulb cover in the back of the oven counterclockwise to remove.
3. Turn bulb counterclockwise to remove from socket.
4. Replace bulb and then bulb cover by turning clockwise.
5. Plug in range or reconnect power.

TROUBLESHOOTING

First try the solutions suggested here. If you need further assistance or more recommendations that may help you avoid a service call, refer to the warranty page in this manual and scan the code there with your mobile device, or visit http://www.maytag.com/product_help. In Canada, visit <http://www.maytag.ca>.

Contact us by mail with any questions or concerns at the address below:

In the U.S.A.:


Maytag Brand Home Appliances
Customer eXperience Center
553 Benson Road
Benton Harbor, MI 49022-2692

In Canada:

Maytag Brand Home Appliances
Customer eXperience Centre
200 - 6750 Century Ave.
Mississauga, Ontario L5N 0B7

Please include a daytime phone number in your correspondence.

⚠ WARNING



Electrical Shock Hazard

Plug into a grounded 3 prong outlet.

Do not remove ground prong.

Do not use an adapter.

Do not use an extension cord.

Failure to follow these instructions can result in death, fire, or electrical shock.

Problem	Possible Causes and/or Solutions
Nothing will operate	<p>Power supply cord is unplugged: Plug into a grounded 3 prong outlet.</p> <p>Household fuse is blown or a circuit breaker is tripped: Replace the fuse or reset the circuit breaker. If the problem continues, call an electrician.</p> <p>Main or regulator gas shut-off valve is in the Off position: See the Installation Instructions.</p> <p>The range is improperly connected to the gas supply: Contact a trained repair specialist, or see Installation Instructions.</p>
Surface burners will not operate	<p>The control knob is not set correctly: Push in knob before turning to a setting.</p> <p>Air in the gas lines: If this is the first time the surface burners have been used, turn on any one of the surface burner knobs to release air from the gas lines.</p> <p>Clogged burner ports: See the “Sealed Surface Burners” section.</p>
Surface burner flames are uneven, yellow, and/or noisy	<p>Clogged burner ports: See the “Sealed Surface Burners” section.</p> <p>Burner caps positioned improperly: See the “Sealed Surface Burners” section.</p> <p>Range converted improperly: If propane gas is being used, contact a service technician or see the “Warranty” section for contact information.</p>
Excessive heat around cookware on cooktop	<p>Cookware is not the proper size: The cookware should be centered above the burner with the bottom sitting level on the grate. The flame should be adjusted so that it does not extend up the sides of the pan.</p>
Cooktop cooking results not what expected	<p>Improper cookware: Ideal cookware should have a flat bottom, straight sides, and a well-fitting lid, and the material should be of a medium-to-heavy thickness.</p> <p>Control knob set to incorrect heat level: See the “Cooktop Use” section.</p> <p>Range is not level: Level the range. See the Installation Instructions.</p>
Oven will not operate	<p>Air in the gas lines: If this is the first time the oven has been used, turn on any one of the surface burner knobs to release air from the gas lines.</p> <p>Control is locked: Press and hold START for 3 seconds to unlock.</p> <p>Control is in Demo mode: See the “Electronic Oven Controls” section. Demo mode is used for display models in a showroom.</p> <p>Electronic oven control set incorrectly: See the “Electronic Oven Controls” section.</p>
Oven burner flames are yellow or noisy	<p>Range converted improperly: If propane gas is being used, contact a service technician or see the “Warranty” section for contact information.</p>

Problem	Possible Causes and/or Solutions
Oven temperature too high or too low	Oven temperature needs adjustment: See “Oven Temperature Control” in the “Electronic Oven Controls” section.
Convection fan not turning on	The convection cycle is in the first 5 minutes of operation: This is normal. The convection fan will start running approximately 5 minutes into the cycle. Oven door is open: If the oven door is opened during convection cooking, the fan will turn off immediately. It will come back on when the oven door is closed.
Display shows messages	Power failure (display shows flashing time): Clear the display. On some models, reset the clock, if needed. See the “Clock” keypad feature in the “Feature Guide” section. Error code (display shows letter followed by number): Depending on your model, press CANCEL UPPER or CANCEL LOWER to clear the display. See “Control Display” in the “Electronic Oven Controls” section. If it reappears, call for service. See the “Warranty” section for contact information. Start needs to be pressed so a cycle can begin (display shows “PUSH” or “PSH”): See the “Start” keypad feature in the “Feature Guide” section. Range is in Sabbath mode (display shows “Sab”): Press CANCEL UPPER or CANCEL LOWER to exit Sabbath mode.
Cleaning cycle did not work on all spills	Several cooking cycles between cleaning cycles or spills on oven walls and doors: Run additional cleaning cycles. affresh® Kitchen and Appliance Cleaner or affresh® Cooktop Cleaner can be used for stubborn soils. See the “Accessories” and “Self-Cleaning Cycle” sections for more information.
Oven cooking results not what expected	Range is not level: Level the range. See the Installation Instructions. The set temperature was incorrect: Double-check the recipe in a reliable cookbook. Oven temperature is calibrated incorrectly: See “Oven Temperature Control” in the “Electronic Oven Controls” section. Oven was not preheated: See the “Baking and Roasting” section. Racks were positioned improperly: See the “Positioning Racks and Bakeware” section. Not enough air circulation around bakeware: See the “Positioning Racks and Bakeware” section. Darker browning of food caused by dull or dark bakeware: Lower oven temperature 25°F (15°C) or move rack to a higher position in the oven. Lighter browning of food caused by shiny or light colored bakeware: Move rack to a lower position in the oven. Batter distributed unevenly in pan: Check that batter is level in the pan. Incorrect length of cooking time was used: Adjust cooking time. Oven door was not closed: Be sure that the bakeware does not keep the door from closing. Oven door was opened during cooking: Oven peeking releases oven heat and can result in longer cooking times. Rack is too close to bake burner, making baked items too brown on bottom: Move rack to higher position in the oven. Pie crusts browning too quickly: Use aluminum foil to cover the edge of the crust and/or reduce baking temperature.

Noises

Problem	Possible Causes and/or Solutions
Surface burner making popping noises	Wet burner: Allow it to dry.
Gas range noises during bake and broil operations The following are some normal sounds with the explanations.	These sounds are normal operational noises that can be heard each time the bake or broil burners ignite during the cycle.
Pop	Gas valve is opening or cycling on and will make a single pop when it snaps open from the solenoid. It sounds similar to a suction cup being pulled off of a piece of glass: This is normal.
Click	The igniters will click several times until the flame is detected. These are short clicking sounds like tapping a nail onto a piece of glass: This is normal. Convection fan relay is cycling on and off (on some models): This is normal.
Woosh or poof	Bake or broil burner is igniting: This is normal.
Oven burner flames are yellow or noisy	Range converted improperly: If propane gas is being used, contact a service technician or see the “Warranty” section for contact information.

ACCESSORIES

For accessories in the U.S.A., you can visit our website at www.maytag.com or call us at **1-800-688-9900**.

In Canada, visit our website at www.maytag.ca or call us at **1-800-807-6777**.

Complete Cooktop Cleaner Kit

(ceramic glass models)
(includes cleaner, protectant, protectant applicator, scraper, and cleaner pads)
Order Part Number 31605

Cooktop Protectant

(ceramic glass models)
Order Part Number 31463A

affresh® Stainless Steel Cleaning Wipes

(stainless steel models)
Order Part Number W10355049

affresh® Cooktop Cleaner

(ceramic glass models)
Order Part Number W10355051

Cooktop Cleaning Pads

(ceramic glass models)
Order Part Number W10391473

affresh® Stainless Steel Cleaner

(stainless steel models)
Order Part Number W10355016

affresh® Kitchen and Appliance Cleaner

Order Part Number W10355010

Cooktop Scraper

(ceramic glass models)
Order Part Number WA906B

Granite Cleaner and Polish

Order Part Number W10275756

Gas Grate and Drip Pan Cleaner

Order Part Number 31617A

Cooktop Grates

Left: Order Part Number W10627408
Right: Order Part Number W10627409

Griddle

Order Part Number W10432539
Kit: Order Part Number W10432544

Standard Flat Oven Rack

Order Part Number W10551060

Roll-Out Rack

Order Part Number W10570870

Porcelain Broiler Pan and Grid

Order Part Number 4396923

Premium Broil Pan and Roasting Rack

Order Part Number W10123240

MAYTAG® GAS RANGE LIMITED WARRANTY

ATTACH YOUR RECEIPT HERE. PROOF OF PURCHASE IS REQUIRED TO OBTAIN WARRANTY SERVICE.

Please have the following information available when you call the Customer eXperience Center:

- Name, address and telephone number
- Model number and serial number
- A clear, detailed description of the problem
- Proof of purchase including dealer or retailer name and address

IF YOU NEED SERVICE:

1. Before contacting us to arrange service, please determine whether your product requires repair. Some questions can be addressed without service. Please take a few minutes to review the Troubleshooting or Problem Solver section of the Use and Care Guide, scan the QR code on the right to access additional resources, or visit https://www.maytag.com/product_help.
2. All warranty service is provided exclusively by our authorized Maytag Service Providers. In the U.S. and Canada, direct all requests for warranty service to:

Maytag Customer eXperience Center

In the U.S.A., call 1-800-688-9900. In Canada, call 1-800-807-6777.

If outside the 50 United States or Canada, contact your authorized Maytag dealer to determine whether another warranty applies.



https://www.maytag.com/product_help

TEN YEAR LIMITED WARRANTY

WHAT IS COVERED

FIRST YEAR LIMITED WARRANTY (PARTS AND LABOR)

For one year from the date of purchase, when this major appliance is installed, operated and maintained according to instructions attached to or furnished with the product, Maytag brand of Whirlpool Corporation or Whirlpool Canada, LP (hereafter "Maytag") will pay for factory specified replacement parts and repair labor to correct defects in materials or workmanship that existed when this major appliance was purchased, or at its sole discretion replace the product. In the event of product replacement, your appliance will be warranted for the remaining term of the original unit's warranty period.

SECOND THROUGH TENTH YEAR LIMITED WARRANTY (CERTAIN COMPONENT PARTS ONLY - LABOR NOT INCLUDED)

In the second through tenth years from the date of original purchase, when this major appliance is installed, operated and maintained according to instructions attached to or furnished with the product, Maytag will pay for factory specified parts for the following components to correct non-cosmetic defects in materials or workmanship in these parts that prevent function of this major appliance and that existed when this major appliance was purchased. This is a limited 10-year warranty on the below named parts only and does not include repair labor.

- Burner Grates
- Gas Surface Burners
- Gas Bake/Broil Burners (Excludes Convection Element)
- Cavity (Rust Through and Broken Welds Only)

YOUR SOLE AND EXCLUSIVE REMEDY UNDER THIS LIMITED WARRANTY SHALL BE PRODUCT REPAIR AS PROVIDED HEREIN. Service must be provided by a Maytag designated service company. This limited warranty is valid only in the United States or Canada and applies only when the major appliance is used in the country in which it was purchased. This limited warranty is effective from the date of original consumer purchase. Proof of original purchase date is required to obtain service under this limited warranty.

WHAT IS NOT COVERED

1. Commercial, non-residential, multiple-family use, or use inconsistent with published user, operator or installation instructions.
2. In-home Instruction on how to use your product.
3. Service to correct improper product maintenance or installation, installation not in accordance with electrical or plumbing codes or correction of household electrical or plumbing (i.e. house wiring, fuses or water inlet hoses).
4. Consumable parts (i.e. light bulbs, batteries, air or water filters, etc.).
5. Defects or damage caused by the use of non-genuine Maytag parts or accessories.
6. Conversion of your product from natural gas or L.P. gas.
7. Damage from accident, misuse, abuse, fire, floods, acts of God or use with products not approved by Maytag.
8. Repairs to parts or systems to correct product damage or defects caused by unauthorized service, alteration or modification of the appliance.
9. Cosmetic damage including scratches, dents, chips, and other damage to appliance finishes unless such damage results from defects in materials and workmanship and is reported to Maytag within 30 days.
10. Discoloration, rust or oxidation of surfaces resulting from caustic or corrosive environments including but not limited to high salt concentrations, high moisture or humidity or exposure to chemicals.
11. Food loss due to product failure.
12. Pick-up or delivery. This product is intended for in-home repair.
13. Travel or transportation expenses for service in remote locations where an authorized Maytag servicer is not available.
14. Removal or reinstallation of inaccessible appliances or built-in fixtures (i.e. trim, decorative panels, flooring, cabinetry, islands, countertops, drywall, etc.) that interfere with servicing, removal or replacement of the product.
15. Service or parts for appliances with original model/serial numbers removed, altered or not easily determined.

The cost of repair or replacement under these excluded circumstances shall be borne by the customer.

DISCLAIMER OF IMPLIED WARRANTIES

IMPLIED WARRANTIES, INCLUDING ANY IMPLIED WARRANTY OF MERCHANTABILITY OR IMPLIED WARRANTY OF FITNESS FOR A PARTICULAR PURPOSE, ARE LIMITED TO ONE YEAR OR THE SHORTEST PERIOD ALLOWED BY LAW. Some states and provinces do not allow limitations on the duration of implied warranties of merchantability or fitness, so this limitation may not apply to you. This warranty gives you specific legal rights, and you also may have other rights that vary from state to state or province to province.

DISCLAIMER OF REPRESENTATIONS OUTSIDE OF WARRANTY

Maytag makes no representations about the quality, durability, or need for service or repair of this major appliance other than the representations contained in this warranty. If you want a longer or more comprehensive warranty than the limited warranty that comes with this major appliance, you should ask Maytag or your retailer about buying an extended warranty.

LIMITATION OF REMEDIES; EXCLUSION OF INCIDENTAL AND CONSEQUENTIAL DAMAGES

YOUR SOLE AND EXCLUSIVE REMEDY UNDER THIS LIMITED WARRANTY SHALL BE PRODUCT REPAIR AS PROVIDED HEREIN. MAYTAG SHALL NOT BE LIABLE FOR INCIDENTAL OR CONSEQUENTIAL DAMAGES. Some states and provinces do not allow the exclusion or limitation of incidental or consequential damages, so these limitations and exclusions may not apply to you. This warranty gives you specific legal rights, and you also may have other rights that vary from state to state or province to province.



INSTRUCTIONS D'UTILISATION DE LA CUISINIÈRE À GAZ À DOUBLE FOUR

MERCI d'avoir acheté ce produit de grande qualité. Enregistrez la cuisinière sur www.maytag.com. Au Canada, enregistrez la cuisinière sur www.maytag.ca.

Pour référence ultérieure, consignez par écrit les numéros de modèle et de série de votre produit. Vous trouvez les numéros de modèle et de série sur les plaques signalétiques. Les plaques signalétiques se situent derrière le tableau de commande. Il est possible de les voir en faisant pivoter les plaques signalétiques vers le haut.

Numéro de modèle _____ Numéro de série du produit _____

Table des matières

SÉCURITÉ DE LA CUISINIÈRE	21
La bride antibasculement.....	22
GUIDE DES CARACTÉRISTIQUES.....	23
UTILISATION DE LA TABLE DE CUISSON	25
Brûleurs de surface scellés.....	25
Grilles.....	26
Taille du brûleur	26
Ustensiles de cuisson	27
Mise en conserve à la maison.....	27
UTILISATION DU FOUR.....	28
Commandes électroniques du four	28
Maintien au chaud.....	30
Mode Sabbat.....	30
Papier d'aluminium	30
Positionnement des grilles et des ustensiles de cuisson au four	30
Évent du four.....	31
Cuisson au four et rôtissage	31
Cuisson au grill.....	32
Cuisson par convection - four inférieur	32
Favori.....	33
Durée de cuisson	33
ENTRETIEN DE LA CUISINIÈRE.....	34
Programme d'autonettoyage.....	34
Nettoyage général.....	35
Lampes des fours	36
DÉPANNAGE.....	36
ACCESSOIRES	39
GARANTIE.....	39

SÉCURITÉ DE LA CUISINIÈRE

Votre sécurité et celle des autres est très importante.

Nous donnons de nombreux messages de sécurité importants dans ce manuel et sur votre appareil ménager. Assurez-vous de toujours lire tous les messages de sécurité et de vous y conformer.



Voici le symbole d'alerte de sécurité.

Ce symbole d'alerte de sécurité vous signale les dangers potentiels de décès et de blessures graves à vous et à d'autres.

Tous les messages de sécurité suivront le symbole d'alerte de sécurité et le mot "DANGER" ou "AVERTISSEMENT". Ces mots signifient :

! DANGER

Risque possible de décès ou de blessure grave si vous ne suivez pas immédiatement les instructions.

! AVERTISSEMENT

Risque possible de décès ou de blessure grave si vous ne suivez pas les instructions.

Tous les messages de sécurité vous diront quel est le danger potentiel et vous disent comment réduire le risque de blessure et ce qui peut se produire en cas de non-respect des instructions.

AVERTISSEMENT : Si les renseignements dans ces instructions ne sont pas exactement observés, un incendie ou une explosion peut survenir, causant des dommages au produit, des blessures ou un décès.

- Ne pas entreposer ni utiliser de l'essence ou d'autres vapeurs ou liquides inflammables à proximité de cet appareil ou de tout autre appareil électroménager.
- QUE FAIRE DANS LE CAS D'UNE ODEUR DE GAZ :
 - Ne pas tenter d'allumer un appareil.
 - Ne pas toucher à un commutateur électrique.
 - Ne pas utiliser le téléphone se trouvant sur les lieux.
 - Appeler immédiatement le fournisseur de gaz à partir du téléphone d'un voisin. Suivre ses instructions.
 - À défaut de joindre votre fournisseur de gaz, appeler les pompiers.
- L'installation et l'entretien doivent être effectués par un installateur qualifié, une agence de service ou le fournisseur de gaz.

AVERTISSEMENT : L'odorat ne permet pas toujours la détection d'une fuite de gaz.

Les distributeurs de gaz recommandent l'emploi d'un détecteur de gaz (homologation UL ou CSA).

Pour d'autre information, contacter le fournisseur de gaz local.

En cas de détection d'une fuite de gaz, exécuter les instructions "Que faire dans le cas d'une odeur de gaz".

Avertissements de la proposition 65 de l'État de Californie :

AVERTISSEMENT : Ce produit contient au moins un produit chimique connu par l'État de Californie pour être à l'origine de cancers.

AVERTISSEMENT : Ce produit contient au moins un produit chimique connu par l'État de Californie pour être à l'origine de malformations et autres déficiences de naissance.

La bride antibasculement

Dans des conditions de service normales, la cuisinière ne bascule pas. Elle peut cependant basculer si une force ou un poids excessif est appliqué sur la porte ouverte alors que la bride antibasculement n'est pas convenablement fixée.



⚠ AVERTISSEMENT

Risque de basculement

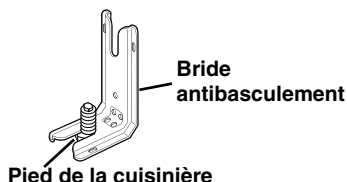
Un enfant ou une personne adulte peut faire basculer la cuisinière, ce qui peut causer un décès.

Vérifier que la bride antibasculement est bien installée et engagée, conformément aux instructions d'installation.

Réengager la bride antibasculement si la cuisinière a été déplacée.

Ne pas faire fonctionner la cuisinière si la bride antibasculement n'est pas installée et engagée.

Le non-respect de ces instructions peut causer un décès ou des brûlures graves aux enfants et aux adultes.



Pour vérifier que la bride antibasculement est bien installée et engagée :

- **Faire glisser la cuisinière vers l'avant.**
- **Vérifier que la bride antibasculement est bien fixée au plancher ou au mur.**
- **Faire de nouveau glisser la cuisinière vers l'arrière de sorte que le pied de la cuisinière se trouve sous la bride antibasculement.**
- **Voir les instructions d'installation pour plus de détails.**

IMPORTANTES INSTRUCTIONS DE SÉCURITÉ

AVERTISSEMENT : Pour réduire le risque d'incendie, de choc électrique, de blessures ou de dommages lors de l'utilisation de la cuisinière, il convient d'observer certaines précautions élémentaires dont les suivantes :

■ **AVERTISSEMENT :** POUR MINIMISER LE RISQUE DE BASCULEMENT DE LA CUISINIÈRE, ELLE DOIT ÊTRE BIEN IMMOBILISÉE PAR DES DISPOSITIFS ANTIBASCULEMENT CORRECTEMENT INSTALLÉS. POUR VÉRIFIER SI LES DISPOSITIFS SONT CORRECTEMENT INSTALLÉS, GLISSER LA CUISINIÈRE VERS L'AVANT ET VÉRIFIER SI LA BRIDE ANTIBASCULEMENT EST BIEN FIXÉE AU PLANCHER OU AU MUR, ET GLISSER LA CUISINIÈRE VERS L'ARRIÈRE POUR QUE LE PIED ARRIÈRE DE LA CUISINIÈRE SOIT SOUS LA BRIDE ANTIBASCULEMENT.

■ **AVERTISSEMENT :** NE JAMAIS utiliser cet appareil comme dispositif de chauffage de la pièce. Le non-respect de cette instruction peut entraîner une intoxication au monoxyde de carbone et une surchauffe du four.

■ **AVERTISSEMENT :** NE JAMAIS couvrir les fentes, trous ou passages d'air au fond du four ou couvrir entièrement une grille avec des matériaux tels que du papier d'aluminium. Le non-respect de cette instruction empêche la circulation de l'air dans le four et peut entraîner une intoxication au monoxyde de carbone. Les feuilles de papier d'aluminium peuvent également retenir la chaleur et créer un risque d'incendie.

■ **MISE EN GARDE :** Ne pas remiser dans des armoires au-dessus de la cuisinière ou sur le dossier d'une cuisinière, des objets que des enfants pourraient vouloir atteindre. Les enfants pourraient se blesser gravement en grim pant sur la cuisinière.

■ Installation appropriée – La cuisinière, lorsqu'elle est correctement installée, doit être reliée à la terre conformément aux codes électriques locaux ou, en l'absence de codes locaux, selon le *Code électrique national (US) ANSI/NFPA 70* ou le *Code canadien de l'électricité*. S'assurer que la cuisinière est correctement installée et reliée à la terre par un technicien qualifié.

■ Cette cuisinière est munie d'une fiche de liaison à la terre à trois broches pour votre protection contre les risques de choc électrique et doit être branchée directement dans une prise de courant bien reliée à la terre. Ne pas couper ni enlever la broche de liaison à la terre de cette fiche.

■ Déconnecter la source de courant électrique avant l'entretien.

■ Des blessures peuvent survenir du fait d'un mauvais usage des portes ou des tiroirs de l'appareil tel que se tenir debout sur la surface, se pencher ou s'asseoir sur les portes ou tiroirs.

■ Entretien – Garder l'espace autour de la cuisinière dégagé et libre de matériaux combustibles, d'essence et d'autres vapeurs et liquides inflammables.

■ Remisage dans ou sur la cuisinière – Des produits inflammables ne devraient pas être remisés dans un four ou près des éléments de surface.

■ La taille de la flamme des brûleurs de surface devrait être ajustée de sorte qu'elle ne dépasse pas le bord de l'ustensile de cuisson.

Cuisinière autonettoyante –

■ Avant l'autonettoyage du four – Ôter la lèchefrite et son plat et les autres ustensiles. Essuyer tous les renversements excessifs avant de mettre en marche le programme d'autonettoyage.

CONSERVEZ CES INSTRUCTIONS

GUIDE DES CARACTÉRISTIQUES

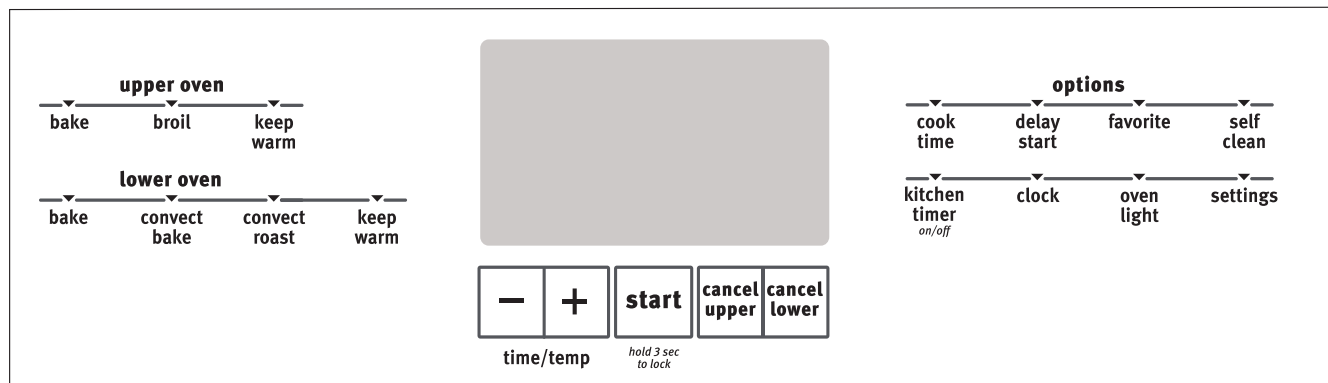
Ce manuel concerne plusieurs modèles. Le modèle que vous avez peut comporter toutes les caractéristiques énumérées ou seulement certaines d'entre elles. Se reporter à ce manuel ou à la section d'aide sur les produits à l'adresse www.maytag.com pour des instructions plus détaillées. Au Canada, consulter la section d'aide sur les produits à l'adresse www.maytag.ca.

⚠ AVERTISSEMENT

Risque d'empoisonnement alimentaire

Ne pas laisser des aliments dans un four plus d'une heure avant ou après la cuisson.

Le non-respect de cette instruction peut causer un empoisonnement alimentaire ou une maladie.



Touche	Caractéristique	Instructions
CLOCK (horloge)	Horloge	Cette horloge peut utiliser un programme de 12 ou 24 heures. Voir la section "Commandes électroniques du four". <ol style="list-style-type: none"> Appuyer sur CLOCK (horloge). Appuyer sur la touche Time/Temp (durée/température) "+" pour AM (heure du matin) ou "-" pour PM (heure de l'après-midi). Appuyer sur la touche Time/Temp (durée/température) "+" ou "-" pour régler l'heure du jour. Appuyer et maintenir appuyer pour faire défiler. Appuyer sur CLOCK (horloge) ou START (mise en marche).
OVEN LIGHT (lampe du four)	Lampe de la cavité du four	Alors que les portes du four sont fermées, appuyer sur OVEN LIGHT (lampe du four) pour allumer ou éteindre les lampes. Les lampes du four s'allument à l'ouverture d'une porte.
KITCHEN TIMER ON/OFF (minuterie de cuisine marche/arrêt)	Minuterie du four	La minuterie peut être réglée en heures ou en minutes jusqu'à concurrence de 9 heures et 59 minutes. <ol style="list-style-type: none"> Appuyer sur KITCHEN TIMER (minuterie de cuisine). Appuyer sur la touche Time/Temp (durée/température) "+" ou "-" pour régler la durée en hr-min. Appuyer sur KITCHEN TIMER (minuterie de cuisine) pour commencer le compte à rebours. Si activés, les signaux sonores de minuterie retentissent à la fin du compte à rebours. Appuyer sur KITCHEN TIMER (minuterie de cuisine) pour annuler la minuterie et revenir à l'heure du jour. Ne pas appuyer sur la touche Cancel (annulation), sinon le four s'éteindra.
START (mise en marche)	Démarrage de la cuisson	La touche Start (mise en marche) met en marche n'importe quelle fonction du four. Si, après avoir appuyé sur une touche, on n'appuie pas sur Start (mise en marche) dans les 2 minutes qui suivent, la fonction est annulée et l'heure s'affiche.
CANCEL UPPER CANCEL LOWER (annulation four supérieur/annulation four inférieur)	Fonction de la cuisinière	Les touches Cancel (annulation) du four supérieur et du four inférieur désactivent toutes les fonctions du four à l'exception de l'horloge, de la minuterie et du verrouillage des commandes du four sélectionné.

Touche	Caractéristique	Instructions
BAKE UPPER BAKE LOWER (cuisson au four supérieur/ cuisson au four inférieur)	Cuisson au four et rôtissage	<ol style="list-style-type: none"> 1. Appuyer sur BAKE (cuisson au four) pour le four désiré. 2. Utiliser la touche Time/Temp (durée/température) "+" ou "-" pour régler la température souhaitée. Appuyer et maintenir appuyer pour faire défiler rapidement. Le défilement des températures ne dépasse pas les températures minimale et maximale admissibles. 3. (Four inférieur, cuisson au four sur une seule grille uniquement) Appuyer sur START (mise en marche). Le préchauffage rapide démarre. IMPORTANT : La fonction de préchauffage rapide doit être utilisée uniquement pour la cuisson au four sur une seule grille. 4. (Cuisson au four sur plusieurs grilles) Appuyer sur START (mise en marche). Appuyer de nouveau sur la touche START (mise en marche) pour annuler le préchauffage rapide. 5. Pour modifier la température, répéter l'étape 2. Appuyer sur START (mise en marche) pour que le changement puisse s'effectuer. 6. Appuyer sur CANCEL (annulation) pour le four désiré après avoir terminé.
BROIL (cuisson au grill) (four supérieur uniquement)	Cuisson au grill	<ol style="list-style-type: none"> 1. Appuyer sur BROIL (cuisson au grill). 2. Utiliser la touche Time/Temp (durée/température) "+" ou "-" pour régler la température souhaitée. Appuyer et maintenir appuyer pour faire défiler rapidement. Le défilement des températures ne dépasse pas les températures minimale et maximale admissibles. 3. Appuyer sur START (mise en marche). Aucun préchauffage n'est nécessaire. 4. Placer l'ustensile de cuisson dans le four. Fermer la porte. 5. Appuyer sur CANCEL UPPER (annulation four supérieur) après avoir terminé.
CONVECT BAKE (cuisson au four par convection)	Cuisson par convection	<ol style="list-style-type: none"> 1. Appuyer sur CONVECT BAKE (cuisson au four par convection). 2. Utiliser la touche Time/Temp (durée/température) "+" ou "-" pour régler la température souhaitée. Appuyer et maintenir appuyer pour faire défiler rapidement. Le défilement des températures ne dépasse pas les températures minimale et maximale admissibles. 3. (Four inférieur, cuisson au four sur une seule grille uniquement) Appuyer sur START (mise en marche). Le préchauffage rapide démarre. IMPORTANT : La fonction de préchauffage rapide doit être utilisée uniquement pour la cuisson au four sur une seule grille. 4. (Cuisson au four sur plusieurs grilles) Appuyer sur START (mise en marche). Appuyer de nouveau sur la touche START (mise en marche) pour annuler le préchauffage rapide. 5. Pour modifier la température, répéter l'étape 2. Appuyer sur START (mise en marche) pour que le changement puisse s'effectuer. 6. Appuyer sur CANCEL LOWER (annulation four inférieur) après avoir terminé.
CONVECT ROAST (rôtissage par convection)	Cuisson par convection	<ol style="list-style-type: none"> 1. Appuyer sur CONVECT ROAST (rôtissage par convection). 2. Utiliser la touche Time/Temp (durée/température) "+" ou "-" pour régler la température souhaitée. Appuyer et maintenir appuyer pour faire défiler rapidement. Le défilement des températures ne dépasse pas les températures minimale et maximale admissibles. 3. Appuyer sur START (mise en marche). 4. Pour modifier la température, répéter l'étape 2. Appuyer sur START (mise en marche) pour que le changement puisse s'effectuer. 5. Appuyer sur CANCEL LOWER (annulation four inférieur) après avoir terminé.
FAVORITE (Favori)	Favori	<p>La caractéristique Favori permet de sauvegarder les réglages de durée et de température de n'importe quelle fonction de cuisson active.</p> <ol style="list-style-type: none"> 1. Appuyer sans relâcher sur FAVORITE (favori). 2. Appuyer sur la touche Time/Temp (durée/température) "+" ou "-" pour sélectionner le four en cours d'utilisation. 3. La fonction de cuisson est à présent sauvegardée comme favori, et le module de commande poursuit le fonctionnement de la fonction de cuisson sauvegardée.
KEEP WARM UPPER KEEP WARM LOWER (maintien au chaud four supérieur/ maintien au chaud four inférieur)	Maintien au chaud	<p>Les aliments doivent être à la température de service avant d'être placés dans le four chauffé.</p> <ol style="list-style-type: none"> 1. Appuyer sur KEEP WARM (maintien au chaud) pour le four désiré. 2. Utiliser la touche Time/Temp (durée/température) "+" ou "-" pour régler la température souhaitée. Appuyer et maintenir appuyer pour faire défiler rapidement. Le défilement des températures ne dépasse pas les températures minimale et maximale admissibles. 3. Appuyer sur START (mise en marche). 4. Appuyer sur CANCEL (annulation) après avoir terminé.
DELAY START (mise en marche différée)	Mise en marche différée	<p>La touche Delay Start (mise en marche différée) sert à entrer l'heure de mise en marche pour un four équipé d'une fonction de mise en marche différée. La mise en marche différée ne doit pas être utilisée pour les aliments tels que pains et gâteaux, car ils risquent de ne pas bien cuire. Pour régler une cuisson minutée ou une cuisson minutée différée, voir la section "Durée de cuisson".</p>

Touche	Caractéristique	Instructions
COOK TIME (durée de cuisson)	Cuisson minutée	La fonction de durée de cuisson permet d'allumer le four à une certaine heure de la journée, d'effectuer une cuisson pendant une durée déterminée et/ou d'éteindre le four automatiquement. Pour régler une cuisson minutée ou une cuisson minutée différée, voir la section "Durée de cuisson".
SELF CLEAN (autonettoyage)	Programme d'autonettoyage	Voir la section "Programme d'autonettoyage".
START hold 3 sec. to lock (mise en marche appuyer pendant 3 sec. pour verrouiller)	Verrouillage des commandes du four	<ol style="list-style-type: none"> Vérifier que le four et les minuteries sont désactivés. Appuyer sans relâcher sur START (mise en marche) pendant 3 secondes. Si cette fonction est activée, un signal sonore retentit et "TABLEAU DE COMMANDE VERROUILLÉ" s'affiche. Répéter pour déverrouiller. Aucune touche ne fonctionne lorsque les commandes sont verrouillées.
SETTINGS (réglages)	Fonctions d'utilisation du four	Permet de personnaliser les signaux sonores et le fonctionnement du four pour convenir à vos besoins. Voir la section "Utilisation du four".

UTILISATION DE LA TABLE DE CUISSON

⚠ AVERTISSEMENT



Risque d'incendie

La flamme d'un brûleur ne devrait pas dépasser le bord du récipient de cuisson.

Fermer tous les réglages lorsque la cuisson est terminée.

Le non-respect de ces instructions peut causer un décès ou un incendie.

Des allumeurs électriques allument automatiquement les brûleurs de surface lorsque les boutons de commande sont tournés à IGNITE (allumage).

Avant de régler un bouton de commande, placer l'ustensile de cuisson rempli sur la grille. Ne pas faire fonctionner un brûleur avec un ustensile de cuisson vide ou sans ustensile de cuisson sur la grille.

La flamme doit être réglée de sorte qu'elle ne dépasse pas de l'ustensile.

REMARQUE : Vérifier visuellement que le brûleur est allumé. Si le brûleur ne s'allume pas, guetter un déclic. Si aucun déclic ne se fait entendre, éteindre le brûleur. Vérifier si le disjoncteur s'est déclenché ou si un fusible est grillé.

Vérifier que le bouton de commande est complètement enfoncé sur la tige de la soupape. Si l'allumeur ne fonctionne toujours pas, appeler un technicien de réparation qualifié.

Réglage :

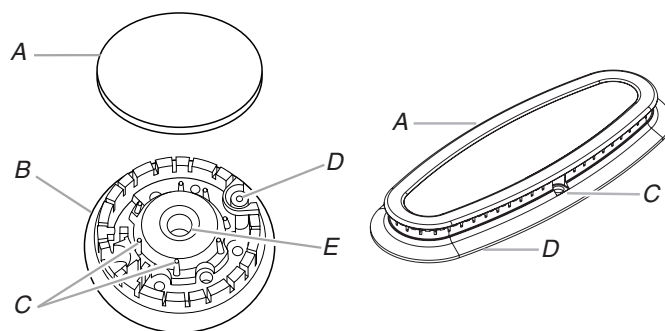
- Enfoncer et tourner le bouton dans le sens antihoraire à IGNITE (allumage).
Tous les brûleurs de surface émettront un déclic. Seul le brûleur dont le bouton de commande est placé sur IGNITE (allumage) produira une flamme.
- Tourner le bouton à n'importe quel réglage entre Hi (élevé) et Lo (bas).

N'oubliez pas : Quand l'appareil est utilisé ou (sur certains modèles) durant le programme d'autonettoyage, toute la surface de la table de cuisson peut devenir chaude.

Panne de courant

En cas de panne de courant prolongée, les brûleurs de surface ne peuvent pas être allumés manuellement. Ne pas tenter de faire fonctionner l'appareil pendant une panne de courant.

Brûleurs de surface scellés

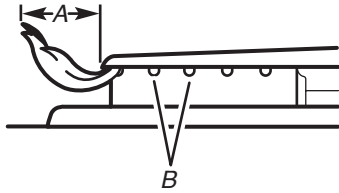


- A. Chapeau de brûleur
B. Base du brûleur
C. Tiges d'alignement
D. Allumeur
E. Ouverture du tube d'arrivée de gaz

IMPORTANT : Ne pas entraver l'évacuation de l'air de combustion et de ventilation autour des grilles de brûleur.

Chapeau de brûleur : Toujours garder le chapeau de brûleur en place lorsqu'un brûleur de surface est utilisé. Un chapeau de brûleur propre aide à empêcher le mauvais allumage et les flammes irrégulières. Toujours nettoyer le chapeau du brûleur après un renversement; enlever et nettoyer régulièrement les chapeaux tel qu'indiqué à la section "Nettoyage général".

Ouverture du tube d'arrivée de gaz : Pour que le brûleur s'allume convenablement, il faut que le gaz puisse passer librement à travers l'ouverture du tube d'arrivée de gaz. Il est essentiel de garder cette zone exempte de souillures et de veiller à ce que les renversements, aliments, agents de nettoyage ou autre matériau ne puissent pénétrer dans l'ouverture du tube d'arrivée de gaz. Protéger le tube d'arrivée de gaz contre les renversements en utilisant toujours un chapeau de brûleur.



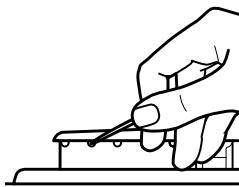
A. 1" à 1 1/2" (2,5 cm à 3,8 cm)
B. Orifices de brûleur

Orifices de brûleur : Examiner occasionnellement les flammes des brûleurs pour en vérifier la taille et la forme tel qu'indiqué ci-dessus. Une bonne flamme est bleue plutôt que jaune. Garder cette zone exempte de souillures et ne pas laisser les produits renversés, les aliments, les agents de nettoyage ou autre produit pénétrer dans les orifices de brûleur.

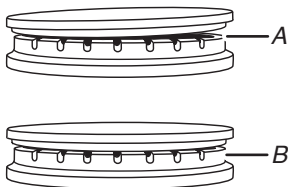
Nettoyage :

IMPORTANT : Avant le nettoyage, s'assurer que toutes les commandes sont désactivées et que la table de cuisson a refroidi. Ne pas utiliser de nettoyeurs à four, d'agents de blanchiment ou de décapants à rouille.

1. Enlever le chapeau et la base du brûleur et nettoyer tel qu'indiqué à la section "Nettoyage général".
2. Nettoyer l'ouverture du tube d'arrivée de gaz avec un chiffon humide.
3. Nettoyer les orifices de brûleur obstrués avec une épingle droite tel qu'indiqué. Ne pas agrandir ni déformer l'orifice. Ne pas utiliser un cure-dents en bois. Si le brûleur a besoin d'être ajusté, contacter un technicien de réparation qualifié.



4. Réinstaller le chapeau de brûleur et s'assurer que les tiges d'alignement sont bien alignées avec le chapeau de brûleur



A. Incorrect
B. Correct

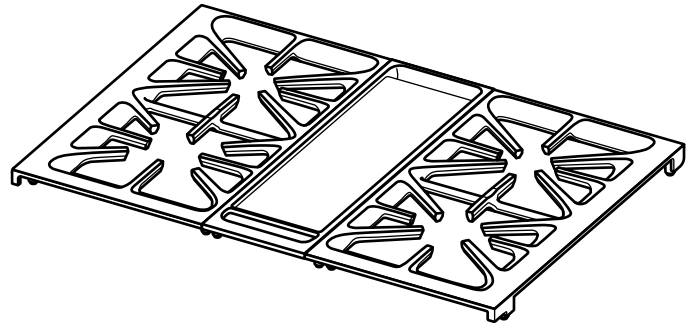
5. Allumer le brûleur. Si le brûleur ne s'allume pas, vérifier l'alignement du chapeau. Si le brûleur ne s'allume toujours pas, ne pas faire vous-même la réparation du brûleur scellé. Contacter un technicien de réparation qualifié.

Grilles

Sur certains modèles, les 2 grilles sont identiques et peuvent être utilisées du côté gauche ou droit de la table de cuisson. Les grilles conçues pour être utilisées uniquement sur 1 côté de la table de cuisson portent les indications "LEFT" (gauche) ou "RIGHT" (droite) sur leur face inférieure. La plaque à frire du milieu doit être utilisée à la position du centre, entre les grilles de gauche et de droite.

Les grilles doivent être correctement positionnées avant la cuisson. Les grilles doivent être en affleurement et de niveau pour être en bonne position. Une mauvaise installation des grilles peut entraîner l'écaillage ou l'érafflement de la table de cuisson.

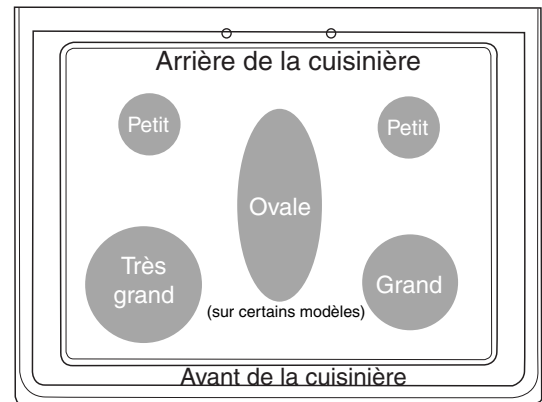
Afin de les positionner correctement, aligner les butoirs souples au-dessous de la grille avec les indentations sur la table de cuisson.



Bien que les grilles de brûleurs soient durables, elles perdront progressivement de leur lustre et (ou) se décoloreront en raison des fortes températures produites par les flammes.

Taille du brûleur

Sélectionner un brûleur qui convient le plus aux ustensiles de cuisson utilisés. Voir le tableau et l'illustration suivants.



Taille du brûleur	Utilisation recommandée
Petite taille	<ul style="list-style-type: none"> ■ Cuisson à basse température ■ Faire fondre le chocolat ou le beurre
Grande taille	<ul style="list-style-type: none"> ■ Pour les ustensiles de cuisson de grande taille
Très grande taille	<ul style="list-style-type: none"> ■ Pour les ustensiles de cuisson de grande taille ■ Le brûleur le plus puissant
Ovale	<ul style="list-style-type: none"> ■ Pour les plats plus longs

Ustensiles de cuisson

IMPORTANT : Ne pas laisser d'ustensile de cuisson vide sur une surface de cuisson, un élément ou un brûleur de surface chauds.

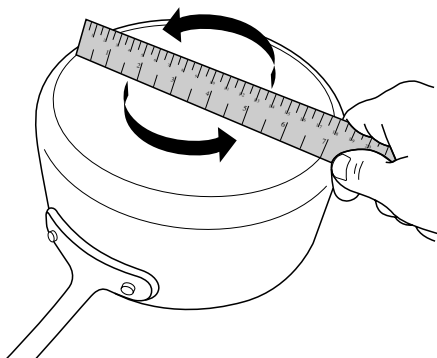
Les ustensiles de cuisson idéals doivent avoir un fond plat, des parois droites, un couvercle qui ferme hermétiquement et le matériau doit être d'épaisseur moyenne à forte.

Les finis rugueux peuvent égratigner la table de cuisson. L'aluminium et le cuivre peuvent être utilisés comme fond ou base d'un ustensile de cuisson.

Le matériau d'un ustensile a une influence sur la rapidité et l'uniformité de la transmission de la chaleur, lesquelles contribuent aux résultats de cuisson.

Les ustensiles de cuisson avec surface antiadhésive ne doivent pas être utilisés sous le grill.

Vérifier que le récipient est plat en plaçant le bord plat d'une règle en travers du fond du récipient. Lorsque l'on fait tourner la règle, aucun espace ni aucune lumière ne devraient être visibles entre celle-ci et le récipient.

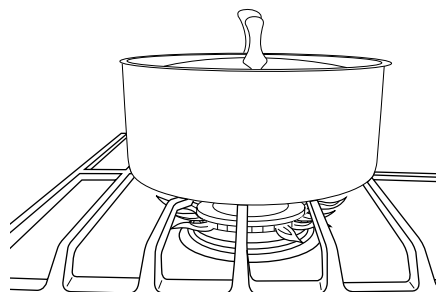


Utiliser le tableau suivant comme guide pour les caractéristiques du matériau d'ustensile de cuisson.

Ustensile	Caractéristiques
Aluminium	<ul style="list-style-type: none"> ■ Chauffe rapidement et uniformément. ■ Convient à tous les genres de cuisson ■ L'épaisseur moyenne ou forte convient le mieux pour la plupart des tâches de cuisson.
Fonte	<ul style="list-style-type: none"> ■ Chauffe lentement et uniformément. ■ Convient pour le brunissage et la friture ■ Maintient la chaleur pour une cuisson lente.
Céramique ou vitrocéramique	<ul style="list-style-type: none"> ■ Suivre les instructions du fabricant. ■ Chauffe lentement, mais inégalement. ■ Les meilleurs résultats sont obtenus sur les réglages de chaleur basse à moyenne.

Ustensile	Caractéristiques
Cuivre	<ul style="list-style-type: none"> ■ Chauffe très rapidement et uniformément. ■ Peut laisser des résidus de cuivre. Pour en réduire la quantité, les nettoyer immédiatement après la cuisson.
Terre cuite	<ul style="list-style-type: none"> ■ Suivre les instructions du fabricant. ■ Utiliser des réglages de température basse.
Acier émaillé en porcelaine ou fonte émaillée	<ul style="list-style-type: none"> ■ Voir acier inoxydable ou fonte.
Acier inoxydable	<ul style="list-style-type: none"> ■ Chauffe rapidement, mais inégalement. ■ Un fond ou une base d'aluminium ou de cuivre sur l'acier inoxydable procure un chauffage uniforme.

Pour les meilleurs résultats, les ustensiles de cuisson doivent être centrés au-dessus du brûleur tout en étant posés à l'horizontale au fond sur la grille. La flamme doit être réglée de sorte qu'elle ne s'étende pas sur les côtés du plat.



Mise en conserve à la maison

Lors de la préparation de conserves pendant de longues périodes, alterner l'utilisation des brûleurs de surface de cuisson entre chaque quantité préparée. Ceci permet aux dernières surfaces utilisées de refroidir.

- Centrer l'autoclave sur la grille au-dessus du brûleur.
- Ne pas placer l'autoclave sur 2 brûleurs de surface en même temps.
- Pour plus de renseignements, contacter votre bureau de développement agricole local, ou consulter les guides de mise en conserve domestique. Les compagnies qui fabriquent des produits pour la préparation de conserves peuvent aussi offrir de l'aide.

UTILISATION DU FOUR

Des odeurs et de la fumée sont normales lorsque le four est utilisé les premières fois, ou lorsqu'il est très sale.

IMPORTANT : La santé de certains oiseaux est très sensible aux émanations de fumée. L'exposition aux émanations peut entraîner la mort de certains oiseaux. Toujours déplacer les oiseaux dans une autre pièce fermée et bien aérée.

Commandes électroniques du four

Affichage des commandes

L'affichage clignote lorsqu'il est mis en marche ou après une coupure de courant. Appuyer sur CANCEL (annulation) pour effacer. Lorsque le four n'est pas en marche, l'heure du jour est affichée.

Signaux sonores

Les signaux sonores avertissent l'utilisateur de divers événements :

Un seul signal sonore

- Appui sur une touche valide
- Four préchauffé (signal sonore long).
- Minuteur de cuisine (signal sonore long avec signal sonore de rappel chaque minute)
- Fonction entrée.
- Rappel (sur certains modèles), signal se répétant à intervalles d'une minute après les signaux sonores de fin de programme

Trois signaux sonores

- Appui sur une touche non valide

Quatre signaux sonores

- Fin de programme (avec signal sonore de rappel chaque minute)

Appuyer sur la touche Settings (réglages) pour modifier les réglages des signaux sonores.

Réglages

De nombreuses caractéristiques du module de commande du four peuvent être ajustées pour répondre à vos besoins. On effectue ces changements à l'aide de la touche Settings (réglages).

Utiliser la touche Settings (réglages) pour faire défiler les caractéristiques qui peuvent être modifiées. L'affichage passe au réglage suivant à chaque pression supplémentaire sur Settings (réglages). Après avoir sélectionné la caractéristique à modifier, le tableau de commande demande à l'utilisateur d'effectuer la manoeuvre nécessaire. Les sections suivantes détaillent toutes les modifications de caractéristiques.

Appuyer sur CANCEL UPPER (annulation four supérieur) ou CANCEL LOWER (annulation four inférieur) pour sortir du mode Settings (réglages).

Fahrenheit et Celsius

Le four est pré-réglé pour un affichage de la température en degrés Fahrenheit, mais on peut le permuter en degrés Celsius.

1. Appuyer sur SETTINGS (réglages) jusqu'à ce que "TEMP UNIT" (unité de température) s'affiche.
2. Le réglage utilisé à ce moment-là s'affiche.
3. Appuyer sur la touche Time/Temp (durée/température) "+" pour modifier le réglage.
4. Appuyer sur CANCEL UPPER (annulation four supérieur) ou CANCEL LOWER (annulation four inférieur) pour quitter ce mode et afficher l'heure.

Désactivation des signaux sonores

Désactive tous les signaux sonores, y compris le signal sonore de fin de programme et les signaux sonores d'appui sur une touche.

1. Appuyer sur SETTINGS (réglages) jusqu'à ce que "SOUND" (signaux sonores) s'affiche.
2. Le réglage utilisé à ce moment-là s'affiche.
3. Appuyer sur la touche Time/Temp (durée/température) "+" pour modifier le réglage.
4. Appuyer sur CANCEL UPPER (annulation four supérieur) ou CANCEL LOWER (annulation four inférieur) pour quitter ce mode et afficher l'heure.

Volume sonore

Règle le timbre du signal sonore sur bas ou élevé.

1. Appuyer sur SETTINGS (réglages) jusqu'à ce que "SOUND VOLUME" (volume sonore) s'affiche.
2. Le réglage utilisé à ce moment-là s'affiche.
3. Appuyer sur la touche Time/Temp (durée/température) "+" pour modifier le réglage.
4. Appuyer sur CANCEL UPPER (annulation four supérieur) ou CANCEL LOWER (annulation four inférieur) pour quitter ce mode et afficher l'heure.

Signal sonore de fin de programme

Active ou désactive les signaux sonores émis à la fin d'un programme.

1. Appuyer sur SETTINGS (réglages) jusqu'à ce que "END TONE" (signal de fin) s'affiche.
2. Le réglage utilisé à ce moment-là s'affiche.
3. Appuyer sur la touche Time/Temp (durée/température) "+" pour modifier le réglage.
4. Appuyer sur CANCEL UPPER (annulation four supérieur) ou CANCEL LOWER (annulation four inférieur) pour quitter ce mode et afficher l'heure.

Signaux sonores d'appui sur une touche

Active ou désactive les signaux sonores lorsqu'on appuie sur une touche.

1. Appuyer sur SETTINGS (réglages) jusqu'à ce que "KEYPRESS TONE" (signal de pression sur une touche) s'affiche.
2. Le réglage utilisé à ce moment-là s'affiche.
3. Appuyer sur la touche Time/Temp (durée/température) "+" pour modifier le réglage.
4. Appuyer sur CANCEL UPPER (annulation four supérieur) ou CANCEL LOWER (annulation four inférieur) pour quitter ce mode et afficher l'heure.

Désactivation des signaux sonores de rappel

Désactive le signal sonore bref qui retentit chaque minute après le signal sonore de fin de programme.

1. Appuyer sur SETTINGS (réglages) jusqu'à ce que "REMINDER TONE" (signal de rappel) s'affiche.
2. Le réglage utilisé à ce moment-là s'affiche.
3. Appuyer sur la touche Time/Temp (durée/température) "+" pour modifier le réglage.
4. Appuyer sur CANCEL UPPER (annulation four supérieur) ou CANCEL LOWER (annulation four inférieur) pour quitter ce mode et afficher l'heure.

Horloge 12/24 heures

1. Appuyer sur SETTINGS (réglages) jusqu'à ce que "12/24 HOUR" (horloge 12/24 heures) s'affiche.
2. Le réglage utilisé à ce moment-là s'affiche.
3. Appuyer sur la touche Time/Temp (durée/température) "+" pour modifier le réglage.
4. Appuyer sur CANCEL UPPER (annulation four supérieur) ou CANCEL LOWER (annulation four inférieur) pour quitter ce mode et afficher l'heure.

Mode démo

IMPORTANT : Destinée au personnel commercial en rayon, cette fonction permet, avec un raccordement au secteur 120 V, de présenter les fonctions des commandes sans pour autant activer le four. Si cette fonction est activée, le four ne fonctionnera pas.

1. Appuyer sur SETTINGS (réglages) jusqu'à ce que "DEMO MODE" (mode de démonstration) s'affiche.
2. Le réglage utilisé à ce moment-là s'affiche.
3. Appuyer sur la touche Time/Temp (durée/température) "+" pour modifier le réglage.
4. Appuyer sur CANCEL UPPER (annulation four supérieur) ou CANCEL LOWER (annulation four inférieur) pour quitter ce mode et afficher l'heure.

Arrêt au bout de 12 heures

Le four est configuré pour s'éteindre automatiquement 12 heures après avoir activé une fonction de cuisson ou de nettoyage. Cette fonction ne perturbe aucune fonction de cuisson minutée ou différée.

1. Appuyer sur SETTINGS (réglages) jusqu'à ce que "12 HR AUTO OFF" (arrêt auto au bout de 12 heures) s'affiche.
2. Le réglage utilisé à ce moment-là s'affiche.
3. Appuyer sur la touche Time/Temp (durée/température) "+" pour modifier le réglage.
4. Appuyer sur CANCEL UPPER (annulation four supérieur) ou CANCEL LOWER (annulation four inférieur) pour quitter ce mode et afficher l'heure.

Langue du texte inscrit sur l'affichage

Les options de langue sont l'anglais, l'espagnol et le français.

1. Appuyer sur SETTINGS (réglages) jusqu'à ce que "LANGUAGE" (langue) s'affiche.
2. Le réglage utilisé à ce moment-là s'affiche.
3. Appuyer sur la touche Time/Temp (durée/température) "+" ou "-" pour modifier le réglage.
4. Appuyer sur CANCEL UPPER (annulation four supérieur) ou CANCEL LOWER (annulation four inférieur) pour quitter ce mode et afficher l'heure.

Mode d'économie d'énergie

Le mode Energy Save (économie d'énergie) désactive l'affichage pour réduire la consommation d'énergie. Le réglage sera activé après plusieurs minutes d'inactivité. On peut utiliser n'importe quel mode avec la cuisinière dans le mode d'économie d'énergie en appuyant sur la touche souhaitée.

1. Appuyer sur SETTINGS (réglages) jusqu'à ce que "ENERGY SAVE" (économie d'énergie) s'affiche.
2. Le réglage utilisé à ce moment-là s'affiche.
3. Appuyer sur la touche Time/Temp (durée/température) "+" pour modifier le réglage.
4. Appuyer sur CANCEL UPPER (annulation four supérieur) ou CANCEL LOWER (annulation four inférieur) pour quitter ce mode et afficher l'heure.

Commande de la température du four

IMPORTANT : Ne pas utiliser de thermomètre pour mesurer la température du four. Les éléments chauffants s'allument et s'éteignent en alternance pour maintenir une température constante, mais leur température peut varier légèrement dans un sens (chaud) ou dans l'autre (froid) du fait de cette alternance. De nombreux thermomètres réagissent lentement à un changement de température, et ne donneront pas une mesure exacte du fait de cette alternance.

Le four fournit des températures précises; toutefois, il peut cuire plus rapidement ou plus lentement que votre four précédent, c'est pourquoi la température peut être ajustée à vos besoins de cuisson. Elle peut être modifiée en degrés Fahrenheit ou Celsius.

Ajustement de la température du four :

1. Appuyer sur SETTINGS (réglages) jusqu'à ce que "TEMP CALIB" (calibrage de la température) s'affiche.
2. Le réglage utilisé à ce moment-là s'affiche. Appuyer sur la touche Time/Temp (durée/température) "+" pour passer du four supérieur au four inférieur et inversement.
3. Appuyer sur START (mise en marche) pour sélectionner le choix affiché à l'étape 2. Attendre 10 secondes pour que l'affichage change ou appuyer sur START (mise en marche), puis passer à l'étape 4.
4. Appuyer sur la touche Time/Temp (durée/température) "+" pour augmenter la température par tranches de 5°F (3°C), ou appuyer sur la touche Time/Temp (durée/température) "-" pour diminuer la température par tranches de 5°F (3°C). La plage de température doit se situer entre -30°F et +30°F (-18°C à +18°C).
5. Appuyer sur START (mise en marche).
6. Appuyer sur CANCEL UPPER (annulation four supérieur) ou CANCEL LOWER (annulation four inférieur) pour quitter ce mode et afficher l'heure.

Maintien au chaud

⚠️ AVERTISSEMENT

Risque d'empoisonnement alimentaire

Ne pas laisser des aliments dans un four plus d'une heure avant ou après la cuisson.

Le non-respect de cette instruction peut causer un empoisonnement alimentaire ou une maladie.

IMPORTANT : Les aliments doivent être à la température de service avant de les placer dans le four chaud. Les aliments peuvent être gardés au four jusqu'à une heure; toutefois, les pains et les mets en sauce peuvent devenir trop secs s'ils sont laissés dans le four durant la fonction Keep Warm (maintien au chaud). Pour de meilleurs résultats, couvrir les aliments.

La caractéristique Keep Warm (maintien au chaud) permet de garder les aliments cuits chauds à la température de service.

Utilisation :

1. Appuyer sur KEEP WARM (maintien au chaud) pour le four désiré.
2. Utiliser la touche Time/Temp (durée/température) "+" ou "-" pour régler la température souhaitée. Appuyer et maintenir appuyer pour faire défiler rapidement. Le défilement des températures ne dépasse pas les températures minimale et maximale admissibles.

REMARQUE : La température peut être modifiée à tout moment en appuyant sur la touche Time/Temp (durée/température) "+" ou "-" pour entrer la température souhaitée puis appuyer sur START (mise en marche).

3. Appuyer sur START (mise en marche).
4. Placer les aliments dans le four.
5. Appuyer sur CANCEL (annulation) pour le four désiré après avoir terminé.
6. Retirer les aliments du four.

Pour annuler la fonction de maintien au chaud :

1. Appuyer sur CANCEL (annulation) pour le four désiré.
2. Retirer les aliments du four.

Mode Sabbat

Le mode Sabbat maintient le réglage de cuisson au four tant que le four n'est pas éteint.

Lorsque le mode Sabbat est réglé, seul le programme de cuisson au four fonctionne. Tous les autres programmes de cuisson et de nettoyage sont désactivés. Aucun signal sonore ne retentit et les affichages n'indiquent pas les changements de température.

Lorsque la porte du four est ouverte ou fermée, la lampe du four ne s'allume ou ne s'éteint pas et les éléments de chauffage du four ne s'allument ou ne s'éteignent pas immédiatement.

Activation du mode Sabbat (une seule fois) :

1. Appuyer sur SETTINGS (réglages) jusqu'à afficher "SABBATH".
2. Appuyer sur la touche Time/Temp (durée/température) "+". Le mode Sabbat peut être utilisé pour la cuisson au four.
3. Appuyer sur CANCEL UPPER (annulation four supérieur) ou CANCEL LOWER (annulation four inférieur) pour sauvegarder les réglages et quitter pour afficher l'heure.

REMARQUE : Pour désactiver le mode Sabbat, répéter les étapes 1 à 3 pour changer l'état de "SABBATH ON" (mode Sabbat actif) à "SABBATH OFF" (mode Sabbat inactif).

Activation du mode Sabbat :

1. Appuyer sur la touche BAKE (cuisson au four) du four souhaité.
2. Utiliser la touche Time/Temp (durée/température) "+" ou "-" pour régler la température souhaitée. Appuyer et maintenir appuyer pour faire défiler rapidement. Le défilement des températures ne dépasse pas les températures minimale et maximale admissibles.
3. Appuyer sur START (mise en marche).
Pour une cuisson minutée au mode Sabbat, appuyer sur COOK TIME (durée de cuisson), puis sur la touche Time/Temp (durée/température) "+" ou "-" pour régler la durée de cuisson désirée. Appuyer sur START (mise en marche).
4. (Facultatif) Si le mode Sabbat doit être activé pour les deux fours, répéter les étapes 1 à 3 pour le second four.
5. Appuyer sur SETTINGS (réglages). Trois signaux sonores retentissent. Appuyer ensuite sur la touche KITCHEN TIMER (minuterie de cuisine) pendant quelques secondes jusqu'à ce que "Sab" s'affiche.

Réglage de la température (lorsque le mode Sabbat fonctionne sur un seul four uniquement) :

1. Appuyer sur la touche Time/Temp (durée/température) "+" ou "-" comme indiqué par le texte déroulant afin de sélectionner la nouvelle température.

REMARQUE : Le changement de température n'apparaît pas sur l'affichage et aucun son n'est émis. Le texte déroulant s'affiche tel qu'il était avant que l'on appuie sur la touche.

2. Appuyer sur START (mise en marche).

Réglage de la température (lorsque le mode Sabbat fonctionne sur les deux fours) :

1. Appuyer sur la touche BAKE (cuisson au four) du four souhaité.
2. Appuyer sur la touche Time/Temp (durée/température) "+" ou "-" comme indiqué par le texte déroulant afin de sélectionner la nouvelle température.

REMARQUE : Le changement de température n'apparaît pas sur l'affichage et aucun son n'est émis. Le texte déroulant s'affiche tel qu'il était avant que l'on appuie sur la touche.

3. Appuyer sur START (mise en marche).

Désactivation du mode Sabbat :

Appuyer sur SETTINGS (réglages), puis KITCHEN TIMER (minuterie de cuisine) pour revenir à la cuisson au four traditionnelle ou appuyer sur CANCEL UPPER (annulation four supérieur) ou CANCEL LOWER (annulation four inférieur) pour éteindre le(s) four(s).

Papier d'aluminium

IMPORTANT : Pour éviter des dommages permanents au fini du fond du four, ne pas recouvrir le fond du four avec du papier d'aluminium ou un revêtement quelconque.

Pour assurer une bonne circulation de l'air et des résultats de cuisson optimaux, ne pas recouvrir la grille entière de papier d'aluminium.

Positionnement des grilles et des ustensiles de cuisson au four

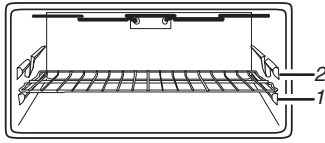
IMPORTANT : Afin d'éviter d'endommager irrémédiablement la finition en émail, ne pas placer d'aliments ou d'ustensiles de cuisson au four directement sur la porte ou sur le fond du four.

Grilles

- Placer les grilles avant d'allumer le four.
- Ne pas installer les grilles lorsque des ustensiles de cuisson au four se trouvent dessus.
- S'assurer que les grilles sont d'aplomb.
- Placer les aliments de façon à ce qu'ils ne touchent pas l'élément de cuisson au gril en augmentant de volume. Laisser un espace d'au moins 1/2" (1,3 cm) entre les plats et l'élément de cuisson au gril.

Pour déplacer une grille, la tirer jusqu'à la butée, soulever l'avant puis la retirer. Se servir des illustrations et des tableaux suivants comme guide pour le positionnement des grilles.

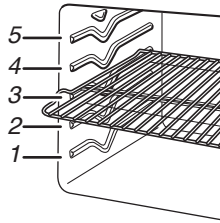
Positions de la grille - Four supérieur



Cuisson au four et cuisson au gril

Aliments	Position de la grille
Tous les aliments	1

Positions de la grille - Four inférieur



Aliments	Position de la grille
Gros rôtis/volailles	1
Viandes rôties	2
La plupart des produits de boulangerie, mets en sauce	3
Viandes grillées, volaille, poisson	4
Cuire au gril/griller les viandes, les hamburgers, les steaks	5

Pour qu'une galette à hamburger soit bien saisie à l'extérieur tout en restant bien souple à l'intérieur dans le four inférieur, utiliser une grille plate en position 5. Cuire le 1er côté pendant 2 1/2 à 3 1/2 minutes. La cuisson du deuxième côté devrait prendre entre 4 et 5 minutes. Une légère fumée peut se dégager durant la cuisson au gril.

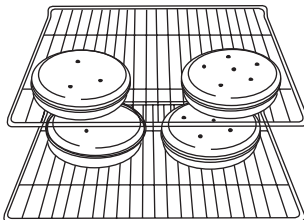
Cuisson sur plusieurs grilles

Cuisson sur 2 grilles : Utiliser les positions de grille 2 et 4 pour la cuisson ordinaire.

Cuisson sur 2 grilles (par convection uniquement) : Utiliser les positions de grille 2 et 4 pour la cuisson par convection.

Cuisson au four des gâteaux à étages, sur 2 grilles

Pour des résultats optimaux lors de la cuisson au four de gâteaux sur 2 grilles, utiliser les positions de grille 2 et 4 avec la fonction Convection Bake (cuisson au four par convection). Placer les gâteaux sur les grilles comme indiqué.



Cuisson au four de biscuits sur 2 grilles

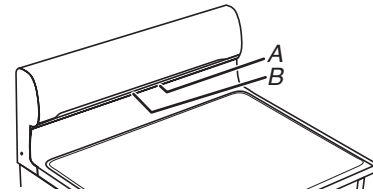
Pour des résultats optimaux lors de la cuisson au four de biscuits sur 2 grilles, utiliser les positions de grille 2 et 4 avec la fonction Bake (cuisson au four).

Ustensiles de cuisson au four

L'air chaud doit pouvoir circuler autour de l'aliment pour le cuire uniformément. Laisser 2" (5,0 cm) entre les ustensiles de cuisson au four et les parois du four. Utiliser le tableau suivant comme guide.

Nombre d'ustensiles	Position sur la grille
1	Centre de la grille
2	Côte à côte
3 ou 4	Consulter l'illustration précédente.

Évent du four



A. Évent du four supérieur
B. Évent du four inférieur

Les événements des fours permettent l'évacuation de l'air chaud et de l'humidité des fours et ne doivent pas être obstrués ou couverts. Le fait d'obstruer ou de couvrir les événements entraînerait une mauvaise circulation de l'air et affecterait les résultats de cuisson et de nettoyage. Ne pas placer près de l'évent du four des produits en plastique, en papier ou d'autres articles qui pourraient fondre ou brûler.

Cuisson au four et rôtissage

Préchauffage

Au début d'un programme de cuisson au four, le four commence par un préchauffage une fois la touche Start (mise en marche) enfoncée. Le four atteint 350°F (177°C) en 12 à 15 minutes environ lorsque toutes les grilles fournies avec le four sont à l'intérieur de la cavité. Pour atteindre une température plus élevée, le préchauffage est plus long. Le programme de préchauffage augmente rapidement la température du four. La température réelle du four dépasse alors la température programmée, pour compenser la chaleur perdue à l'ouverture du four pour y introduire le plat à cuire. Ainsi, le four entame la cuisson à la température correcte après l'introduction des aliments. Placer les aliments au four lorsque le signal sonore de préchauffage retentit. Ne pas ouvrir la porte du four pendant le préchauffage tant que le signal sonore n'a pas retenti.

Préchauffage rapide

La fonction Rapid Preheat (préchauffage rapide) peut servir à réduire la durée de préchauffage. Durant le préchauffage rapide, seule une grille doit se trouver dans le four. Les autres grilles doivent être retirées avant de démarrer le préchauffage rapide. Le programme de préchauffage doit être terminé avant de placer de la nourriture dans le four. Une fois le programme de préchauffage rapide terminé, le four commence un programme normal de cuisson au four.

IMPORTANT : La fonction de préchauffage rapide doit être utilisée uniquement pour la cuisson au four sur une seule grille.

Température du four

En cours d'utilisation, les éléments chauffants du four s'allument et s'éteignent en alternance pour maintenir une température constante, mais leur température peut varier légèrement dans un sens (chaud) ou dans l'autre (froid) du fait de cette alternance. L'ouverture de la porte du four en cours d'utilisation laisse échapper l'air chaud et refroidit le four, ce qui peut modifier la durée nécessaire et le résultat de la cuisson. Pour suivre l'avancement de la cuisson, il est conseillé d'utiliser l'éclairage du four.

REMARQUE : Sur les modèles équipés d'une fonction de convection, le ventilateur de convection peut tourner dans le mode de cuisson sans convection pour améliorer la performance du four.

Système de gestion de la température

Le système de gestion de la température contrôle électroniquement les niveaux de température du four durant le préchauffage et la cuisson afin de maintenir une gamme précise de températures pour des résultats de cuisson optimaux. Les éléments de cuisson au four et au gril ou les brûleurs s'allument et s'éteignent par intermittence. Pour les cuisinières à convection, le ventilateur fonctionne pendant le préchauffage et peut s'allumer et s'éteindre par intermittence pendant de courts intervalles dans le mode Bake (cuisson au four) afin de produire un meilleur résultat. Cette caractéristique s'active automatiquement lorsque le four est utilisé.

Avant la cuisson au four et le rôtissage, placer les grilles comme indiqué à la section "Positionnement des grilles et des ustensiles de cuisson". Lors du rôtissage, il n'est pas nécessaire d'attendre la fin du préchauffage du four avant d'y placer la nourriture, sauf si la recette le recommande.

Cuisson au gril

Fermer la porte du four durant la cuisson au gril. Aucun préchauffage n'est nécessaire. Placer l'aliment sur la grille de la lèchefrite, puis placer celle-ci au centre de la grille du four.

REMARQUE : Les odeurs et la fumée sont normales lors des premières utilisations du four ou si ce dernier est très sale.

Le changement de température lors de la cuisson au gril permet un contrôle plus précis de la cuisson. Plus le réglage du gril est bas, plus la cuisson est lente. Les morceaux épais et de forme irrégulière de viande, de poisson et de volaille cuisent mieux à des réglages de gril plus bas. Consulter la section "Positionnement des grilles et ustensiles de cuisson au four" pour plus d'informations.

Lors de la cuisson au gril en utilisant des réglages plus bas, l'élément de cuisson s'allume et s'éteint par intermittence afin de maintenir une température adéquate.

- Pour de meilleurs résultats, utiliser une lèchefrite et une grille - elles sont conçues pour laisser s'écouler les jus et aider à éviter les éclaboussures et la fumée.

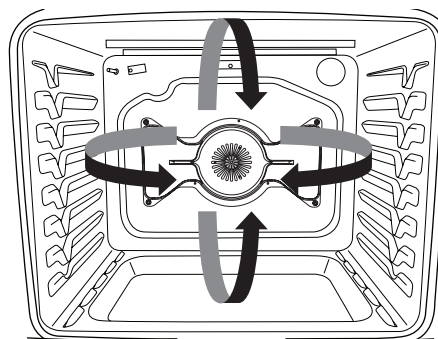
Il est possible de commander une lèchefrite. Voir la section "Accessoires".

Cuisson par convection - four inférieur

Dans un four à convection, l'air chaud que fait circuler le ventilateur distribue la chaleur de façon continue et plus uniformément que le mouvement naturel de l'air dans un four thermique standard. Ce déplacement de l'air chaud aide à maintenir une température constante dans tout le four, ce qui permet de cuire les aliments plus uniformément, de faire croustiller la surface des aliments tout en conservant leur humidité naturelle et de donner des pains plus croustillants.

Si la porte du four est ouverte durant la cuisson par convection, le ventilateur s'éteint immédiatement. Il s'allume à nouveau lorsque la porte du four est fermée.

REMARQUE : La porte du four doit être fermée pour la cuisson au gril par convection.



Avant de lancer une cuisson par convection, positionner les grilles comme indiqué à la section "Positionnement des grilles et des ustensiles de cuisson au four".

La cuisson à convection permet de cuire la majorité des aliments à une température plus basse ou moins longtemps. Ces réglages peuvent être effectués à l'aide du tableau suivant.

Réglage	Instructions
CONVECT BAKE (cuisson au four par convection)	Réduire la température de cuisson au four standard de 25°F (15°C).
CONVECT BROIL (cuisson au gril par convection)	Utiliser une température de recette standard. La durée de cuisson peut être réduite; il faut donc contrôler le degré de cuisson des aliments tôt au cours de la cuisson.
CONVECT ROAST (rôtissage par convection)	Utiliser une température de recette standard. La durée de cuisson peut être réduite de 15 à 30 % avec la fonction de rôtissage par convection; il faut donc contrôler le degré de cuisson des aliments tôt au cours de la cuisson.

Convection véritable cordon bleu

La convection véritable active un élément électrique autour du ventilateur de convection pour améliorer la performance de cuisson. Utiliser le tableau des options de convection suivant comme guide.

Options de cuisson par convection

Réglage	Aliments
CONVECT BAKE (cuisson au four par convection)	Cuisson au four sur une ou plusieurs grilles pour les biscuits, pains, mets en sauce, tartes et tourtes
CONVECT BROIL (cuisson au gril par convection)	Des morceaux plus épais ou inégaux de viande, de poisson ou de volaille
CONVECT ROAST (rôtissage par convection)	Poulets ou dindes entiers, légumes, rôtis de porc, rôtis de boeuf

Favori

AVERTISSEMENT

Risque d'empoisonnement alimentaire

Ne pas laisser des aliments dans un four plus d'une heure avant ou après la cuisson.

Le non-respect de cette instruction peut causer un empoisonnement alimentaire ou une maladie.

La caractéristique Favori permet de sauvegarder les réglages de durée et de température de n'importe quelle fonction de cuisson active. Une seule caractéristique favorite est permise pour chaque four.

Pour sauvegarder une fonction de cuisson comme favori :

1. Appuyer sans relâcher sur FAVORITE (favori).
2. Appuyer sur la touche Time/Temp (durée/température) "+" ou "-" pour sélectionner le four en cours d'utilisation.
3. La fonction de cuisson est à présent sauvegardée comme favori, et le module de commande poursuit le fonctionnement de la fonction de cuisson sauvegardée.

Pour faire réapparaître et démarrer un favori :

1. Appuyer sur FAVORITE (favori).
2. Appuyer sur la touche Time/Temp (durée/température) "+" ou "-" pour sélectionner le four en cours d'utilisation.
3. Appuyer sur START (mise en marche).
La température réglée peut être modifiée en appuyant sur la touche Time/Temp (durée/température) "+" ou "-", puis sur START (mise en marche). De la même manière, la durée de cuisson peut être modifiée en appuyant sur COOK TIME (durée de cuisson), puis sur la touche Time/Temp (durée/température) "+" ou "-" pour régler la durée souhaitée, puis sur START (mise en marche). Si l'on modifie la durée de cuisson, le temps de cuisson restant est remplacé par la nouvelle durée programmée.
4. Placer les aliments dans le four.
5. Appuyer sur CANCEL (annulation) correspondant au four utilisé une fois terminé.
6. Retirer les aliments du four.

Pour annuler un programme favori :

1. Appuyer sur CANCEL (annulation) du four sélectionné.
Le programme Favorite (favori) sauvegardé ne sera pas affecté.
2. Retirer les aliments du four.

Durée de cuisson

AVERTISSEMENT

Risque d'empoisonnement alimentaire

Ne pas laisser des aliments dans un four plus d'une heure avant ou après la cuisson.

Le non-respect de cette instruction peut causer un empoisonnement alimentaire ou une maladie.

Réglage d'une cuisson minutée :

1. Appuyer sur le bouton pour obtenir n'importe quelle fonction de cuisson à l'exception de Self-Clean (autonettoyage) ou Keep Warm (maintien au chaud).
2. Utiliser la touche Time/Temp (durée/température) "+" ou "-" pour régler la température souhaitée. Appuyer et maintenir appuyer pour faire défiler rapidement. Le défilement des températures ne dépasse pas les températures minimale et maximale admissibles.
3. Appuyer sur COOK TIME (durée de cuisson).
4. Appuyer sur la touche Time/Temp (durée/température) "+" ou "-" pour entrer la durée de cuisson.
5. Appuyer sur START (mise en marche). L'affichage présente le compte à rebours de la durée. Lorsque la durée est écoulée, le four s'éteint automatiquement.
La température et/ou la durée peut/peuvent être ajustée(s) en tout temps en répétant les étapes 2 à 5.
6. Appuyer sur le bouton CANCEL (annulation) du four sélectionné pour effacer l'affichage du four.

Réglage d'une cuisson minutée différée :

1. Appuyer sur DELAY START (mise en marche différée).
2. Appuyer sur la touche Time/Temp (durée/température) "+" ou "-" pour sélectionner le four.
3. Appuyer sur la touche Time/Temp (durée/température) "+" ou "-" entrer le nombre d'heures et/ou de minutes dont on souhaite différer l'heure de mise en marche. Appuyer et maintenir appuyer pour faire défiler
4. Appuyer sur le bouton pour obtenir n'importe quelle fonction de cuisson à l'exception de Keep Warm (maintien au chaud).
5. Utiliser la touche Time/Temp (durée/température) "+" ou "-" pour régler la température souhaitée. Appuyer et maintenir appuyer pour faire défiler rapidement. Le défilement des températures ne dépasse pas les températures minimale et maximale admissibles.
6. Appuyer sur START (mise en marche) ou COOK TIME (durée de cuisson).
7. Appuyer sur la touche Time/Temp (durée/température) "+" ou "-" pour entrer la durée de cuisson.
8. Appuyer sur START (mise en marche).
Lorsque l'heure de mise en marche est atteinte, le four s'allume automatiquement. Les réglages de température et/ou de durée peuvent être modifiés en tout temps après le compte à rebours en répétant les étapes 1 à 7. Lorsqu'on réinitialise la durée et la température, on doit appuyer sur Start (mise en marche) à mi-chemin entre les étapes 4 et 5 pour pouvoir continuer à effectuer des changements.
Lorsque la durée de cuisson réglée s'achève, le four s'éteint automatiquement.
9. Appuyer sur CANCEL (annulation) du four sélectionné pour effacer l'affichage du four.

ENTRETIEN DE LA CUISINIÈRE

Programme d'autonettoyage

AVERTISSEMENT



Risque de brûlures

Ne pas toucher le four au cours du programme d'autonettoyage.

Garder les enfants loin du four au cours du programme d'autonettoyage.

Le non-respect de ces instructions peut causer des brûlures.

IMPORTANT : Certains oiseaux sont très sensibles aux émanations qui surviennent durant le programme d'autonettoyage. L'exposition aux émanations peut entraîner la mort de certains oiseaux. Toujours déplacer les oiseaux dans une autre pièce fermée et bien aérée.

Veiller à ce que la cuisine soit bien aérée pendant le programme d'autonettoyage afin d'aider à éliminer la chaleur, les odeurs et la fumée.

Ne pas obstruer l'évent (ou les événements) du four durant le programme d'autonettoyage. L'air doit pouvoir circuler librement. Selon votre modèle, voir la section "Évent du four" ou "Événements du four".

Ne pas nettoyer, frotter, endommager ou déplacer le joint d'étanchéité de la porte du four.

Préparation de la cuisinière :

- Retirer du four la lèchefrite, la grille, les ustensiles de cuisine et de cuisson au four, les grilles du four et le papier aluminium et, sur certains modèles, la sonde de cuisson.
- À l'aide d'un chiffon humide, nettoyer le bord de l'intérieur de la porte et une zone de 1 1/2" (38 mm) sur le pourtour du cadre de la cavité du four, en prenant soin de ne pas déplacer ni plier le joint d'étanchéité.
- Essuyer toute saleté décollée afin de réduire la fumée et d'éviter les dommages. À des températures élevées, les aliments réagissent avec l'émail et peuvent causer des taches, une attaque acide, des piqûres ou des décolorations blanchâtres. Ceci n'affectera pas la performance de cuisson.
- Enlever les articles de plastique de la table de cuisson car ils peuvent fondre.

REMARQUE : Les brûleurs de la table de cuisson ne fonctionnent pas durant le programme d'autonettoyage.

IMPORTANT :

- La température du four doit être inférieure à 500°F (260°C) pour pouvoir programmer un programme de nettoyage.
- On ne peut nettoyer qu'un seul four à la fois.
- Les portes des deux fours se verrouillent lorsque l'un ou l'autre four exécute le programme d'autonettoyage.

Fonctionnement du programme

IMPORTANT : Le chauffage et le refroidissement de la porcelaine sur l'acier dans le four peuvent causer une décoloration, une perte de lustre, des fissures minuscules et des bruits d'éclatement.

Le programme d'autonettoyage utilise des températures très élevées, brûlant les saletés pour les réduire en cendres.

Lorsque le four a complètement refroidi, retirer la cendre avec un chiffon humide. Pour éviter de briser le verre, ne pas appliquer de chiffon humide froid sur le verre intérieur de la porte avant qu'il n'ait complètement refroidi.

La lampe du four ne fonctionne pas durant le programme d'autonettoyage.

Pour arrêter le programme d'autonettoyage à tout moment, appuyer sur CANCEL UPPER (annulation four supérieur) ou CANCEL LOWER (annulation four inférieur). Si la température est trop élevée, les portes du four restent verrouillées.

Lorsque "LOCK" (verrouillé) apparaît sur l'affichage, les portes du four ne peuvent pas être ouvertes. Pour éviter d'endommager les portes, ne pas forcer l'ouverture des portes tant que "LOCK" (verrouillé) est affiché.

Avant l'autonettoyage, s'assurer que les portes sont complètement fermées sinon elles ne se verrouilleront pas et le programme d'autonettoyage ne commencera pas.

REMARQUE : Seul un four peut utiliser le programme Self-Clean (autonettoyage) à la fois, et une durée de 12 heures doit s'écouler avant que l'autonettoyage suivant puisse commencer.

Le four est pré-réglé pour un programme d'autonettoyage de 3 heures, mais la durée peut être modifiée. Les durées de nettoyage suggérées sont de 2 heures pour un niveau de saleté léger et entre 3 et 4 heures pour un niveau de saleté entre moyen et élevé.

Utiliser le tableau ci-dessous comme guide pour déterminer le niveau de nettoyage désiré.

Niveau de nettoyage	Durée de nettoyage recommandée (comprend 30 minutes de temps de refroidissement)
1 (Rapide)	2 heures
2	2 heures 30 minutes
3	3 heures
4 (Rég)	3 heures 30 minutes
5	4 heures
6 (Max)	4 heures 30 minutes

Autonettoyage :

1. Fermer les portes des fours et appuyer sur SELF CLEAN (autonettoyage).
2. Appuyer sur la touche Time/Temp (durée/température) "+" ou "-" pour sélectionner le four à nettoyer.
3. Appuyer sur la touche Time/Temp (durée/température) "+" ou "-" pour sélectionner le degré de nettoyage souhaité.
4. Appuyer sur START (mise en marche).
Les portes du four se verrouillent automatiquement.
Lorsque le programme d'autonettoyage est terminé et que le four est froid, les portes du four se déverrouillent.
5. Lorsque les fours ont complètement refroidi, retirer la cendre avec un chiffon humide.

Pour différer l'autonettoyage :

1. Fermer les portes des fours et appuyer sur DELAY START (mise en marche différée).
2. Appuyer sur la touche Time/Temp (durée/température) "+" ou "-" pour sélectionner le four désiré.
3. Appuyer sur la touche Time/Temp (durée/température) "+" ou "-" pour entrer la durée différée du programme.
4. Appuyer sur SELF CLEAN (autonettoyage).
5. Appuyer sur la touche Time/Temp (durée/température) "+" ou "-" pour sélectionner le degré de nettoyage souhaité.
6. Appuyer sur START (mise en marche).

Les portes des deux fours se verrouillent automatiquement après le compte à rebours de la mise en marche différée. Lorsque le programme d'autonettoyage est terminé et que le four est froid, les portes du four se déverrouillent.

7. Lorsque les fours ont complètement refroidi, retirer la cendre avec un chiffon humide.

Nettoyage général

IMPORTANT : Avant le nettoyage, s'assurer que toutes les commandes sont éteintes et que le four et la table de cuisson sont froids. Toujours suivre les instructions figurant sur les étiquettes des produits de nettoyage. Pour plus d'informations, consulter la section service à la clientèle à l'adresse www.maytag.com. Au Canada, visitez notre site Web à l'adresse www.maytag.ca.

Du savon, de l'eau et un chiffon doux ou une éponge sont recommandés, à moins d'indications contraires.

SURFACES EN ÉMAIL VITRIFIÉ UNIQUEMENT (sur certains modèles)

Les éclaboussures alimentaires acides, telles que vinaigre et tomate, doivent être nettoyées dès que la cuisinière a refroidi. Ces salissures peuvent endommager le fini.

Méthode de nettoyage :

- Nettoyant à vitre, nettoyant doux liquide ou tampon à récurer non abrasif :
Nettoyer doucement autour de la plaque signalétique car le frottement pourrait en effacer les chiffres.
- Nettoyant pour cuisine et appareils ménagers affresh® référence W10355010 (non fourni) :
Voir la section "Accessoires" pour plus de renseignements.

ACIER INOXYDABLE (sur certains modèles)

REMARQUE : Afin d'éviter d'endommager les surfaces en acier inoxydable, ne pas utiliser de tampons à récurer savonneux, de nettoyants abrasifs, de crème à polir pour table de cuisson, de tampons en laine d'acier, de chiffons de lavage rêches ou d'essuie-tout abrasifs. Ils peuvent endommager les surfaces en acier inoxydable, même après usage unique ou limité.

Méthode de nettoyage :

Frotter dans la direction du grain pour éviter les dommages.

- Nettoyant pour acier inoxydable affresh® référence W10355016 (non fourni) :
Voir la section "Accessoires" pour plus de renseignements.

PEINTURE MÉTALLIQUE (sur certains modèles)

Ne pas utiliser de nettoyants abrasifs, de nettoyants avec agent de blanchiment, de produits antirouille, d'ammoniaque ou d'hydroxyde de sodium (soude), car la surface peinte pourrait se tacher.

GRILLES ET CHAPEAUX ÉMAILLÉS

Les renversements d'aliments contenant des produits acides, tels que vinaigre et tomates, doivent être nettoyés dès que la table de cuisson, les grilles et les chapeaux ont refroidi. Ces salissures peuvent endommager le fini.

Pour éviter l'écaillage, ne pas entrechoquer les grilles et les chapeaux ni les frapper contre des surfaces dures telles que les ustensiles en fonte.

Ne pas réinstaller les chapeaux sur les brûleurs lorsqu'ils sont mouillés.

Méthode de nettoyage :

- Ustensile de récurage en plastique non abrasif et nettoyant légèrement abrasif :
Nettoyer dès que la table de cuisson, les grilles et les chapeaux ont refroidi.
- Lave-vaisselle (les grilles seulement et non les chapeaux) :
Utiliser le programme le plus intensif. Les saletés cuites doivent être trempées ou frottées avant d'être placées au lave-vaisselle.
- Nettoyant pour grille et plateau d'égouttement pour installation à gaz – Pièce n° 31617A (non fournie) :
Voir la section "Accessoires" pour plus de renseignements.

BRÛLEURS DE SURFACE

- Voir la section "Brûleurs de surface scellés".

COMMANDES DE LA TABLE DE CUISSON

Afin d'éviter d'endommager les commandes de la table de cuisson, ne pas utiliser de laine d'acier, de nettoyants abrasifs ou de nettoyant pour four.

Afin d'éviter toute détérioration, ne pas laisser tremper les boutons de commande. Lors de la réinstallation des boutons, s'assurer que chaque bouton est à la position Off (arrêt).

Sur certains modèles, ne pas enlever les joints sous les boutons.

Méthode de nettoyage :

- Savon et eau :
Tirer les boutons en ligne droite hors du tableau de commande pour les enlever.

PLAQUE À FRIRE

Pour éviter d'endommager la surface antiadhésive, ne pas nettoyer la plaque au lave-vaisselle, ou utiliser un tampon de laine d'acier et des nettoyants abrasifs.

Méthode de nettoyage :

- Détergent doux

TABLEAU DE COMMANDE ET EXTÉRIEUR DE LA PORTE DU FOUR

Afin d'éviter d'endommager le tableau de commande, ne pas utiliser de nettoyants abrasifs, de tampons en laine d'acier, de chiffons de lavage rêches ou d'essuie-tout abrasifs.

Méthode de nettoyage :

- Nettoyant à vitre et chiffon doux ou éponge :
Appliquer le nettoyant à vitre sur un chiffon doux ou une éponge, et non directement sur le tableau.
- Nettoyant pour cuisine et appareils ménagers affresh® référence W10355010 (non fourni) :
Voir la section "Accessoires" pour plus de renseignements.

GRILLES DU FOUR

Méthode de nettoyage :

- Tampon en laine d'acier
- Pour les grilles ternies qui glissent difficilement, enduire légèrement les glissières d'huile végétale; cela facilitera leur glissement.

CAVITÉ DU FOUR

Ne pas utiliser de nettoyants à four.

Les éclaboussures alimentaires doivent être nettoyées lorsque le four a refroidi. À haute température, les aliments réagissent avec l'émail et peuvent provoquer la formation de taches, une attaque acide, des piqûres ou des décolorations blanchâtres.

Méthode de nettoyage :

- Programme de nettoyage :
Voir la section "Programme de nettoyage".

Lampes des fours

Les lampes des fours sont des ampoules standard de 40 watts pour appareil électroménager. Avant le remplacement, s'assurer que le(s) four(s) et la table de cuisson sont froids et que les boutons de commande sont à la position Off (arrêt).

Remplacement :

1. Débrancher la cuisinière ou déconnecter la source de courant électrique.
2. Tourner le protège-ampoule en verre à l'arrière du four dans le sens antihoraire et l'enlever.
3. Tourner l'ampoule dans le sens antihoraire pour l'enlever de la douille.
4. Remplacer l'ampoule et replacer le couvercle de l'ampoule en le tournant dans le sens horaire.
5. Brancher la cuisinière ou reconnecter la source de courant électrique.

DÉPANNAGE

Essayer d'abord les solutions suggérées ici. Pour obtenir de l'aide ou des conseils qui permettront peut-être d'éviter une intervention de dépannage, consulter la page de garantie de ce manuel et scanner le code QR avec votre appareil intelligent, ou consultez le site internet http://www.maytag.com/product_help. Au Canada, visitez notre site Web à l'adresse www.maytag.ca.

Vous pouvez adresser tous commentaires ou questions par courrier à l'adresse ci-dessous :

Aux É.-U. :

Maytag Brand Home Appliances
Customer eXperience Center
553 Benson Road
Benton Harbor, MI 49022-2692

Au Canada :

Maytag Brand Home Appliances
Customer eXperience Centre
200 - 6750 Century Ave.
Mississauga, Ontario L5N 0B7

Dans votre correspondance, veuillez indiquer un numéro de téléphone où l'on peut vous joindre dans la journée.

⚠ AVERTISSEMENT



Risque de choc électrique

Brancher sur une prise à 3 alvéoles reliée à la terre.

Ne pas enlever la broche de liaison à la terre.

Ne pas utiliser un adaptateur.

Ne pas utiliser un câble de rallonge.

Le non-respect de ces instructions peut causer un décès, un incendie ou un choc électrique.

Problème	Causes et/ou solutions possibles
Rien ne fonctionne	Cordon d'alimentation électrique débranché : Le brancher à une prise à 3 alvéoles reliée à la terre. Un fusible du domicile est grillé ou un disjoncteur s'est ouvert : Remplacer le fusible ou réarmer le disjoncteur. Si le problème persiste, appeler un électricien. Le robinet principal d'arrêt ou de réglage du gaz est à la position fermée : Voir les Instructions d'installation. La cuisinière n'est pas adéquatement branchée à l'alimentation en gaz : Contacter un technicien de réparation qualifié ou voir les Instructions d'installation.
Les brûleurs de surface ne fonctionnent pas	Le bouton de commande n'est pas correctement engagé : Appuyer sur le bouton avant de le tourner à un réglage donné. Présence d'air dans les conduites de gaz : Si c'est la première fois que les brûleurs de surface sont utilisés, allumer n'importe quel bouton de brûleur de surface afin de libérer l'air présent dans les canalisations. Orifices de brûleurs obstrués : Voir la section "Brûleurs de surface scellés".

Problème	Causes et/ou solutions possibles
Les flammes des brûleurs de surface ne sont pas uniformes, sont de teinte jaune et/ou sont bruyantes	<p>Orifices de brûleurs obstrués : Voir la section “Brûleurs de surface scellés”.</p> <p>Chapeaux de brûleurs mal positionnés : Voir la section “Brûleurs de surface scellés”.</p> <p>Conversion inappropriée de la cuisinière : Si l’on utilise du gaz propane, contacter un technicien de service ou consulter la section “Garantie” pour des renseignements de contact.</p>
Chaleur excessive autour des ustensiles de cuisson sur la table de cuisson	<p>Les ustensiles de cuisson ne correspondent pas à la flamme : Les ustensiles de cuisson doivent être centrés au-dessus du brûleur tout en étant posés à l’horizontale au fond sur la grille. La flamme doit être réglée de sorte qu’elle ne s’étende pas sur les côtés du plat.</p>
La cuisson ne produit pas les résultats prévus	<p>Ustensiles de cuisson inappropriés : Les ustensiles de cuisson idéals doivent avoir un fond plat, des parois droites, un couvercle qui ferme hermétiquement et le matériau doit être d’épaisseur moyenne à forte.</p> <p>Le bouton de commande est réglé sur une puissance de chauffe incorrecte : Voir la section “Utilisation de la table de cuisson”.</p> <p>La cuisinière n’est pas d’aplomb : Régler l’aplomb de la cuisinière. Voir les Instructions d’installation.</p>
Le four ne fonctionne pas	<p>Présence d’air dans les conduites de gaz : Si c’est la première fois que les brûleurs de surface sont utilisés, allumer n’importe quel bouton de brûleur de surface afin de libérer l’air présent dans les canalisations.</p> <p>Les commandes sont verrouillées : Appuyer sur la touche START LOWER (mise en marche four inférieur) pendant 3 secondes pour les déverrouiller.</p> <p>Commandes en mode de démonstration : Voir la section “Commandes électroniques du four”. Le mode de démonstration est utilisé sur les modèles présentés dans les salles d’exposition.</p> <p>Réglage incorrect des commandes électroniques du four : Voir la section “Commandes électroniques du four”.</p>
Les flammes du brûleur du four sont jaunes ou bruyantes	<p>Conversion inappropriée de la cuisinière : Si l’on utilise du gaz propane, contacter un technicien de service ou consulter la section “Garantie” pour des renseignements de contact.</p>
La température du four est trop élevée ou trop basse	<p>La température du four doit être ajustée : Voir “Commande de température du four” dans la section “Commandes électroniques du four”.</p>
Le ventilateur de convection ne s’allume pas	<p>Le programme de convection se déroule pendant les 5 premières minutes de fonctionnement : Ceci est normal. Le ventilateur de convection commencera à fonctionner pendant environ 5 minutes dans le programme.</p> <p>La porte du four est ouverte : Si la porte du four est ouverte durant la cuisson par convection, le ventilateur s’éteint immédiatement. Il s’allume à nouveau lorsque la porte du four est fermée.</p>
Des messages s’affichent	<p>Panne de courant (l’afficheur indique une heure clignotante) : Effacer l’affichage. Sur certains modèles, régler de nouveau l’horloge au besoin. Voir la caractéristique de touche “Clock” (horloge) à la section “Guide des caractéristiques”.</p> <p>Code d’erreur (l’afficheur indique une lettre suivie d’un numéro) : En fonction du modèle, appuyer sur CANCEL UPPER (annulation four supérieur) ou CANCEL LOWER (annulation four inférieur) pour effacer l’affichage. Voir “Affichage des commandes” dans la section “Commandes électroniques du four”. S’il réapparaît, appeler le service de dépannage. Voir la section “Garantie” pour des renseignements de contact.</p> <p>Il faut appuyer sur la touche Start (mise en marche) pour démarrer un programme (l’afficheur indique “PUSH” ou “PSH” [appuyer]) : Voir la caractéristique de la touche “Start” (mise en marche) dans la section “Guide des caractéristiques”.</p> <p>La cuisinière est en mode Sabbat (l’afficheur indique “SAb”) : Appuyer sur CANCEL UPPER (annulation four supérieur) ou CANCEL LOWER (annulation four inférieur) pour quitter le mode Sabbat.</p>
Le programme de nettoyage n’a pas éliminé toutes les salissures	<p>Plusieurs programmes de cuisson entre les programmes de nettoyage, ou éclaboussures sur les parois et les portes : Lancer des programmes de nettoyage supplémentaires. Pour les salissures tenaces, utiliser le nettoyant pour cuisine et appareils ménagers affresh® ou le nettoyant pour table de cuisson affresh®. Voir la section “Accessoires” et “Programme d’autonettoyage” pour plus de renseignements.</p>

Problème	Causes et/ou solutions possibles
La cuisson au four ne produit pas les résultats prévus	<p>La cuisinière n'est pas d'aplomb : Régler l'aplomb de la cuisinière. Voir les instructions d'installation.</p> <p>Le réglage de la température était incorrect : Révérifier la recette dans un livre de cuisine fiable.</p> <p>La température du four doit être ajustée : Voir "Commande de température du four" dans la section "Commandes électroniques du four".</p> <p>Le four n'a pas été préchauffé : Voir la section "Cuisson au four et rôtissage".</p> <p>Les grilles n'étaient pas placées correctement : Voir la section "Positionnement des grilles et ustensiles de cuisson au four".</p> <p>Circulation d'air déficiente autour des ustensiles de cuisson : Voir la section "Positionnement des grilles et ustensiles de cuisson au four".</p> <p>Brunissement excessif des aliments causé par un plat à four terne ou foncé : Diminuer la température du four de 25°F (15°C) ou placer la grille plus haut dans le four.</p> <p>Brunissement insuffisant des aliments causé par un plat à four brillant ou clair : Placer la grille plus bas dans le four.</p> <p>Répartition irrégulière de la pâte dans le plat : Vérifier que la pâte est répartie uniformément dans le plat.</p> <p>Durée de cuisson incorrecte : Revoir la durée de cuisson.</p> <p>Porte du four non fermée : Vérifier que le plat à four n'empêche pas la fermeture de la porte.</p> <p>La porte du four a été ouverte durant la cuisson : L'ouverture de la porte pour vérifier la cuisson laisse échapper la chaleur du four et peut allonger la durée de cuisson.</p> <p>La grille est trop proche du brûleur de cuisson au four, ce qui brunet trop le fond des aliments cuits au four : Placer la grille plus haut dans le four.</p> <p>Les croûtes des tartes brunissent trop vite : Recouvrir de papier d'aluminium le périmètre de la croûte et/ou réduire la température de cuisson du four.</p>

Bruits

Problème	Causes et/ou solutions possibles
Le brûleur de surface émet des bruits d'éclatement	Brûleur mouillé : Laisser au brûleur le temps de sécher.
Bruits émis par la cuisinière à gaz lors des opérations de cuisson au four et de cuisson au gril Voici quelques bruits normaux avec des explications.	Ces bruits sont des bruits de fonctionnement normaux qui peuvent survenir chaque fois que les brûleurs de cuisson au four ou de cuisson au gril s'allument au cours du programme.
Éclatement	Le robinet de gaz s'ouvre ou se met en marche; un seul bruit d'éclatement retentit lorsqu'il se libère du solénoïde. Le bruit est similaire au bruit de succion qu'émettrait une ventouse que l'on retire d'une surface de verre : Ceci est normal.
Déclic	Les allumeurs émettent plusieurs déclics jusqu'à ce que la flamme soit détectée. Il s'agit de bruits de claquements courts, similaires au bruit d'un ongle tapotant sur une surface de verre : Ceci est normal. Le relais du ventilateur de convection fonctionne par intermittence (sur certains modèles) : Ceci est normal.
Crissement ou pouf	Le brûleur de cuisson au four ou au gril est en train de s'allumer : Ceci est normal.
Les flammes du brûleur du four sont jaunes ou bruyantes	Conversion inappropriée de la cuisinière : Si l'on utilise du gaz propane, contacter un technicien de service ou consulter la section "Garantie" pour des renseignements de contact.

ACCESSOIRES

Pour les accessoires aux É.-U., consulter notre site Web www.maytag.com ou nous contacter au **1-800-688-9900**.

Au Canada, consulter notre site web www.maytag.ca ou nous contacter au **1-800-807-6777**.

Ensemble d'entretien de la table de cuisson

(modèles avec vitrocéramique)
(comprend le nettoyeur, le protecteur, son applicateur, le grattoir et les tampons à nettoyer)

Commander la pièce numéro 31605B

Protecteur de table de cuisson

(modèles avec vitrocéramique)
Commander la pièce numéro 31463B

Lingettes nettoyantes pour acier inoxydable affresh®

(modèles en acier inoxydable)
Commander la pièce numéro W10355049

Nettoyant pour table de cuisson affresh®

(modèles avec vitrocéramique)
Commander la pièce numéro W10355051

Tampons nettoyeurs pour la table de cuisson

(modèles avec vitrocéramique)
Commander la pièce numéro W10391473

Nettoyant pour acier inoxydable affresh®

(modèles en acier inoxydable)
Commander la pièce numéro W10355016

Nettoyant pour cuisine et appareils ménagers affresh®

Commander la pièce numéro W10355010

Grattoir pour table de cuisson

(modèles avec vitrocéramique)
Commander la pièce numéro WA906B

Nettoyant et poli pour granite

Commander la pièce numéro W10275756

Nettoyant pour grille à gaz et plateau d'égouttement

Commander la pièce numéro 31617A

Grilles de la table de cuisson

Gauche : Commander la pièce numéro W10627408
Droite : Commander la pièce numéro W10627409

Plaque à frire

Commander la pièce numéro W10432539
Ensemble : Commander la pièce numéro W10432544

Grille de four plate standard

Commander la pièce numéro W10551060

Grille déployante

Commander la pièce numéro W10570870

Lèchefrite et grille en porcelaine

Commander la pièce numéro 4396923

Lèchefrite et grille de rôtissage de qualité supérieure

Commander la pièce numéro W10123240

GARANTIE LIMITÉE DE CUISINIÈRE À GAZ MAYTAG®

ATTACHEZ ICI VOTRE REÇU DE VENTE. UNE PREUVE D'ACHAT EST OBLIGATOIRE POUR OBTENIR L'APPLICATION DE LA GARANTIE.

Lorsque vous appelez le centre d'eXpérience de la clientèle, veuillez garder à disposition les renseignements suivants :

- Nom, adresse et numéro de téléphone
- Numéros de modèle et de série
- Une description claire et détaillée du problème rencontré
- Une preuve d'achat incluant le nom et l'adresse du marchand ou du détaillant

SI VOUS AVEZ BESOIN DE SERVICE :

1. Avant de nous contacter pour obtenir un dépannage, veuillez déterminer si des réparations sont nécessaires pour votre produit. Certains problèmes peuvent être résolus sans intervention de dépannage. Prenez quelques minutes pour parcourir la section Dépannage ou Résolution de problèmes du guide d'utilisation et d'entretien, scannez le code QR ci-contre avec votre téléphone intelligent pour accéder à des ressources supplémentaires, ou rendez-vous sur le site <http://www.maytag.ca>.

2. Tout service sous garantie doit être effectué exclusivement par nos fournisseurs de dépannage autorisés Maytag. Aux É.-U. et au Canada, dirigez toutes vos demandes de service sous garantie au

Centre d'eXpérience de la clientèle Maytag

Aux É.-U., composer le 1-800-688-9900. Au Canada, composer le 1-800-807-6777.

Si vous résidez à l'extérieur du Canada et des 50 États des États-Unis, contactez votre marchand Maytag autorisé pour déterminer si une autre garantie s'applique.



<http://www.maytag.ca>

GARANTIE LIMITÉE DE DIX ANS

CE QUI EST COUVERT

GARANTIE LIMITÉE DURANT LA PREMIÈRE ANNÉE (PIÈCES ET MAIN-D'ŒUVRE)

Pendant un an à compter de la date d'achat, lorsque ce gros appareil ménager est installé, utilisé et entretenu conformément aux instructions jointes au produit ou fournies avec, la marque Maytag de Whirlpool Corporation ou Whirlpool Canada, LP (ci-après désignées "Maytag") paiera pour les pièces de rechange spécifiées par l'usine et pour la main-d'œuvre pour corriger les vices de matériaux ou de fabrication qui existaient déjà lorsque ce gros appareil ménager a été acheté. S'il est remplacé, l'appareil sera couvert pour la période restant à courir de la garantie limitée d'un an du produit d'origine.

GARANTIE LIMITÉE DE LA DEUXIÈME À LA DIXIÈME ANNÉE (CERTAINS COMPOSANTS UNIQUEMENT - MAIN-D'ŒUVRE NON COMPRISE)

De la deuxième à la dixième année inclusivement à compter de la date d'achat initiale, lorsque ce gros appareil ménager est installé, utilisé et entretenu conformément aux instructions jointes au produit ou fournies avec, Maytag paiera pour les pièces de rechange spécifiées par l'usine concernant les composants suivants pour corriger les défauts non esthétiques de matériau ou de fabrication desdites pièces qui empêchent le gros appareil de fonctionner et qui étaient déjà présentes lorsque ce gros appareil ménager a été acheté. La présente garantie est une garantie limitée de 10 ans sur les pièces énumérées ci-dessous et elle ne comprend pas la main-d'œuvre de réparation.

- Grilles de brûleur
- Brûleurs de surface à gaz
- Brûleurs de cuisson au four/au gril à gaz (hormis élément de convection)
- Cavité (perforation par la rouille et soudures rompues uniquement)

LE SEUL ET EXCLUSIF RECOURS DU CLIENT DANS LE CADRE DE LA PRÉSENTE GARANTIE LIMITÉE CONSISTE EN LA RÉPARATION PRÉVUE PAR LA PRÉSENTE. Le service doit être fourni par une compagnie de service désignée par Maytag. Cette garantie limitée est valide uniquement aux États-Unis ou au Canada et s'applique exclusivement lorsque le gros appareil ménager est utilisé dans le pays où il a été acheté. La présente garantie limitée est valable à compter de la date d'achat initial par le consommateur. Une preuve de la date d'achat initial est exigée pour obtenir un dépannage dans le cadre de la présente garantie limitée.

CE QUI N'EST PAS COUVERT

1. Usage commercial, non résidentiel ou par plusieurs familles, ou non-respect des instructions de l'utilisateur, de l'opérateur ou des instructions d'installation.
2. Visite d'instruction à domicile pour montrer à l'utilisateur comment utiliser l'appareil.
3. Visites de service pour rectifier une installation ou un entretien fautifs du produit, une installation non conforme aux codes d'électricité ou de plomberie, ou la rectification de l'installation électrique ou de la plomberie du domicile (ex : câblage électrique, fusibles ou tuyaux d'arrivée d'eau du domicile).
4. Pièces consommables (ex : ampoules, batteries, filtres à air ou à eau, etc.).
5. Défauts ou dommage résultant de l'utilisation de pièces ou accessoires Maytag non authentiques.
6. Conversion de votre produit du gaz naturel ou du gaz de pétrole liquéfié.
7. Dommages causés par : accident, mésusage, abus, incendie, inondations, catastrophe naturelle ou l'utilisation de produits non approuvés par Maytag.
8. Réparations aux pièces ou systèmes dans le but de rectifier un dommage ou des défauts résultant d'une réparation, altération ou modification non autorisée faite à l'appareil.
9. Défauts d'apparence, notamment les éraflures, traces de choc, fissures ou tout autre dommage subi par le fini de l'appareil ménager, à moins que ces dommages ne résultent de vices de matériaux ou de fabrication et ne soient signalés à Maytag dans les 30 jours suivant la date d'achat.
10. Décoloration, rouille ou oxydation des surfaces résultant d'environnements caustiques ou corrosifs incluant des concentrations élevées de sel, un haut degré d'humidité ou une exposition à des produits chimiques (exemples non exhaustifs).
11. Perte d'aliments due à la défaillance du produit.
12. Enlèvement ou livraison. Ce produit est conçu pour être réparé à l'intérieur du domicile.
13. Frais de déplacement et de transport pour le dépannage/la réparation dans une région éloignée où une compagnie de service Maytag autorisée n'est pas disponible.
14. Retrait ou réinstallation d'appareils inaccessibles ou de dispositifs préinstallés (ex : garnitures, panneaux décoratifs, plancher, meubles, îlots de cuisine, plans de travail, panneaux de gypse, etc.) qui entravent le dépannage, le retrait ou le remplacement du produit.
15. Service et pièces pour des appareils dont les numéros de série et de modèle originaux ont été enlevés, modifiés ou ne peuvent pas être facilement identifiés.

Le coût d'une réparation ou d'un remplacement dans le cadre de ces circonstances exclues est à la charge du client.

CLAUSE D'EXONÉRATION DE RESPONSABILITÉ AU TITRE DES GARANTIES IMPLICITES

LES GARANTIES IMPLICITES, Y COMPRIS LES GARANTIES APPLICABLES DE QUALITÉ MARCHANDE OU D'APTITUDE À UN USAGE PARTICULIER, SONT LIMITÉES À UN AN OU À LA PLUS COURTE PÉRIODE AUTORISÉE PAR LA LOI. Certains États et provinces ne permettent pas de limitation sur la durée des garanties implicites de qualité marchande ou d'aptitude à un usage particulier, de sorte que la limitation ci-dessus peut ne pas être applicable dans votre cas. Cette garantie vous confère des droits juridiques spécifiques et vous pouvez également jouir d'autres droits qui peuvent varier d'une juridiction à l'autre.

EXONÉRATION DE RESPONSABILITÉ DANS LES DOMAINES NON COUVERTS PAR LA GARANTIE

Maytag décline toute responsabilité au titre de la qualité, de la durabilité ou en cas de dépannage ou de réparation nécessaire sur ce gros appareil ménager autre que les responsabilités énoncées dans la présente garantie. Si vous souhaitez une garantie plus étendue ou plus complète que la garantie limitée fournie avec ce gros appareil ménager, adressez-vous à Maytag ou à votre détaillant pour obtenir les modalités d'achat d'une garantie étendue.

LIMITATION DES RECOURS; EXCLUSION DES DOMMAGES FORTUITS OU INDIRECTS

LE SEUL ET EXCLUSIF RECOURS DU CLIENT DANS LE CADRE DE LA PRÉSENTE GARANTIE LIMITÉE CONSISTE EN LA RÉPARATION PRÉVUE PAR LA PRÉSENTE. MAYTAG N'ASSUME AUCUNE RESPONSABILITÉ POUR LES DOMMAGES FORTUITS OU INDIRECTS. Certains États et certaines provinces ne permettent pas l'exclusion ou la limitation des dommages fortuits ou indirects de sorte que ces limitations et exclusions peuvent ne pas être applicables dans votre cas. Cette garantie vous confère des droits juridiques spécifiques et vous pouvez également jouir d'autres droits qui peuvent varier d'une juridiction à l'autre.

11/14