

Maytag® Freestanding Gas Range

MGR8674A



Key Features

Cooktop

- 5 Burner Cooktop:
 - (1) 17,000 BTU Speed Heat™ Burner
 - (1) 15,000 BTU Power Cook Burner
 - (1) 9,500 BTU Burner
 - (1) 5,000 BTU Burner
 - (1) 8,000 BTU Burner
- Full-Width, Heavy-Duty, Cast Grates

Oven

- 5.8 cu. ft. Oven - Industry Leading Capacity*
- Precision Cooking™ System
- AquaLift™ Technology Clean
- Panoramic View Oven Window
- 1 Standard and 1 Max Capacity Rack
- Heavy-Duty Knobs
- Hidden Bake
- Sabbath Mode
- Delay Bake
- 10-Year Limited Parts Warranty* on Cooktop and Oven Burners and Heavy-Duty, Cast Grates.



COLOR OPTIONS

White(W) Black(B) Stainless Steel(S)



*Among leading brand single cavity gas 30" freestanding ranges.

Visit maytag.com for warranty details.



Maytag® Freestanding Gas Range

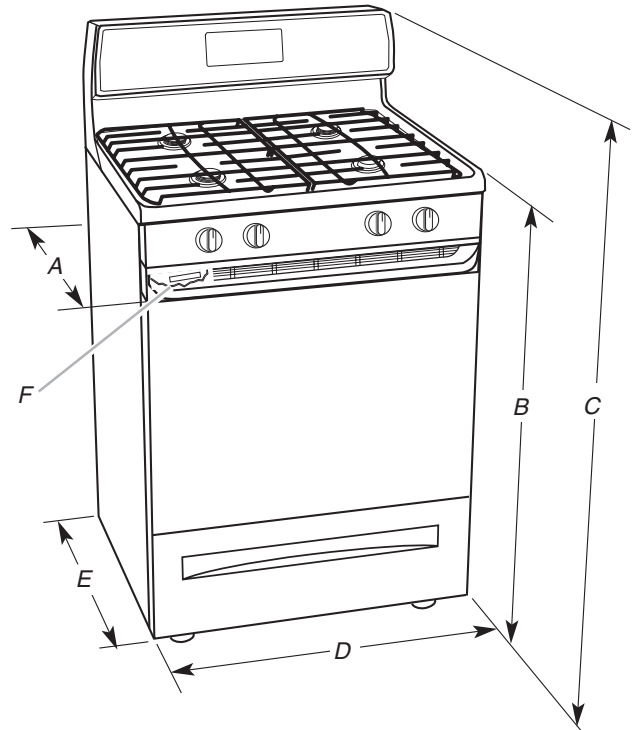
MGR8674A

Specifications

MODEL NUMBER		MGR8674A
COOKTOP		
Cooktop Type	Porcelain	
Ignition Type	Electronic	
Full-Width Cast-Iron Grates	Yes	
BURNER DETAIL		
Number of Burners	5	
Burner Type	Sealed	
Removable Burner Caps	Yes	
Left Front Burner (BTU)	17,000	
Right Front Burner (BTU)	15,000	
Left Rear Burner (BTU)	9,500	
Right Rear Burner (BTU)	5,000	
Center Rear Burner (BTU)	8,000	
GRATE DETAIL		
Grate Type	2-Piece, Heavy-Duty Cast	
Grate Color	Dark Charcoal	
OVEN		
Oven Capacity	5.8 cu. ft. oven Industry Leading Capacity*	
Warm Hold	Yes	
Sabbath Mode	Yes	
Cooking System	Precision Cooking™ System	
Hidden Bake Element	Yes	
Broiler BTU (LP)	11000	
Bake BTU (Nat Gas)/(LP)	18000/17000	
Number Oven Racks	2	
GENERAL INFORMATION		
Power On Indicator Light	Yes	
Energy Save Mode	Yes	
Drawer Type	Storage Drawer	
Oven Window Size	Panoramic	
Clock & Timer	Yes	
Delayed Cooking Option	Delay Start	
Control Lockout	Yes	
Cleaning System	AquaLift™ Technology Clean	
GAS SPECIFICATIONS		
LP Gas Convertible	Yes	
Power Outage Compatible	Yes	
COLOR AVAILABILITY		
		W,B,S

W=White, B=Black, S=Stainless Steel

Dimensions



- A. 27⁷/₈" (70.8 cm) max. depth with handle
- B. 36" (91.4 cm) cooktop height (max.) with leveling legs screwed all the way in*
- C. 46⁷/₈" (119.1 cm) overall height (max.) with leveling legs screwed all the way in*
- D. 29⁷/₈" (75.9 cm) width
- E. 25¹/₁₆" (64.6 cm) depth. Back of range to front of cooktop**
- F. Model/serial rating plate (located on the oven frame behind the top left side of the oven door)

*Range can be raised approximately 1" (2.5 cm) by adjusting the leveling legs.

**Front of door and drawer may extend further forward, depending on styling.

DIMENSIONS

Overall Height (in)	46 7/8
Overall Width (in)	29 7/8
Overall Depth (in)	27 7/8
Depth without Handle (in)	25 7/16
Depth with Door Open 90° (in)	47 15/16
Cutout Height (in)	36
Cutout Width (in)	30

Dimensions are for planning purposes only.
For complete details, see Installation Instructions packed with product.
Specifications subject to change without notice.