



ENGLISH

FRANÇAIS

# OWNER'S MANUAL

# MICROWAVE

# OVEN

**Read this owner's manual thoroughly before operating the appliance and keep it handy for reference at all times.**

LMC0975\*\*



MFL69962305\_00

[www.lg.com](http://www.lg.com)

Copyright © 2017 LG Electronics Inc. All Rights Reserved.

## ***Thank you for purchasing an LG microwave oven.***

Please record the model number and serial number of this unit for future reference. We also suggest you record the details of your contact with LG Electronics U.S.A., Inc. concerning this unit.

Model No: \_\_\_\_\_

Serial No: \_\_\_\_\_

Dealer: \_\_\_\_\_

\_\_\_\_\_

Dealer Phone No: \_\_\_\_\_

Staple your receipt here for proof of purchase.

Customer Relations  
LG Electronics U.S.A., Inc.  
Service Division Bldg. #3  
201 James Record Rd.  
Huntsville, AL 35824-0126

## **PRECAUTIONS TO AVOID POSSIBLE EXPOSURE TO EXCESSIVE MICROWAVE ENERGY...**

- Do not attempt to operate this oven with the door open since open-door operation can result in harmful exposure to microwave energy. It is important not to defeat or tamper with the safety interlocks.
- Do not place any object between the oven front face and the door or allow soil or cleaner residue to accumulate on sealing surfaces.
- Do not operate the oven if it is damaged.  
It is particularly important that the oven door closes properly and that there is no damage to the:  
(1) door (bent),  
(2) hinges and latches (broken or loosened),  
(3) door seals and sealing surfaces.
- The oven should not be adjusted or repaired by anyone except properly qualified service personnel.

# TABLE OF CONTENTS

## 4 IMPORTANT SAFETY INSTRUCTIONS

---

## 8 PRODUCT OVERVIEW

---

- 8 Location of Model Number
- 8 Electrical Requirements
- 8 Voltage Warning
- 8 Placement of the Oven
- 8 Do Not Block Air Vents
- 8 Grounding Instructions
- 9 Radio / TV / Wireless Equipment Interference
- 9 Oven Specifications
- 10 Microwave Oven Features
- 10 Accessories
- 11 Control Panel Overview

## 12 MICROWAVE COOKING TIPS

---

- 12 Microwave Cookware Guide
- 13 Microwave-Safe Cookware
- 14 Microwave Cooking Tips
- 15 Precautions

## 16 OPERATION

---

- 16 Audible Signals
- 16 Clock
- 16 Interrupting Cooking
- 16 Child Lock
- 16 Quick Start
- 17 More / Less
- 17 Energy Saving
- 17 Setting Manual Cooking Times
- 17 Microwave Power Levels
- 18 Auto Cook
- 18 Auto Reheat
- 19 Auto Cook Table
- 20 Auto Reheat Table
- 21 Defrost
  - 21 Defrost Table
  - 22 Defrosting Tips
  - 22 Weight Conversion Table
  - 22 Operating Tips

## 23 SMART DIAGNOSIS™

---

- 23 Using the Smart Diagnosis™ Function

## 24 MAINTENANCE

---

- 24 Caring for the Microwave Oven

## 25 TROUBLESHOOTING

---

- 25 Frequently Asked Questions
- 26 Before Calling for Service

## 27 WARRANTY

---

## IMPORTANT SAFETY INSTRUCTIONS

Read and follow all instructions when using the microwave oven to prevent the risk of fire, electric shock, personal injury, or damage. This guide does not cover all possible conditions that may occur. Always contact your service agent or manufacturer about problems that you do not understand.

Download this owner's manual at: <http://www.lg.com>



This is the safety alert symbol. This symbol alerts you to potential hazards that can result in property damage and/or serious bodily harm or death.

All safety messages will follow the safety alert symbol and either the word WARNING or CAUTION. These words mean:



**WARNING** - Indicates a hazardous situation which, if not avoided, could result in death or serious injury.



**CAUTION** - Indicates a hazardous situation which, if not avoided, could result in minor or moderate injury.

The safety instructions below will tell you how to use your oven and avoid harm to yourself or damage to your oven.



### **WARNING**

- To reduce the risk of burns, electric shock, fire, injury to persons or exposure to excessive microwave energy when using the microwave oven, follow basic safety precautions, including the following.
- **Read all the instructions before using the oven.**
- **As with any appliance, close supervision is necessary when used by children.**
- Read and follow the specific **PRECAUTIONS TO AVOID POSSIBLE EXPOSURE TO EXCESSIVE MICROWAVE ENERGY** found on page 2.
- Use this appliance only for its intended use as described in the manual.  
**Do not use** corrosive chemicals or vapors, such as sulfide and chloride, in this appliance. This type of oven is specifically designed to heat, cook, or dry food. It is not designed for industrial or laboratory use.
- **Do not store** this appliance outdoors. Do not use this product near water - for example, near a kitchen sink, in a wet basement, near a swimming pool, or similar location.
- **Do not use this oven for commercial purposes.** It is made for household use only.
- **When cleaning surfaces of door and oven that come together on closing the door, use only mild, nonabrasive soaps, or detergents applied with a sponge or soft cloth.**
- **If your oven is dropped or damaged,** have it thoroughly checked by a qualified service technician before using it again.

 **WARNING**

- **To reduce the risk of fire in the oven cavity:**
  - **Do not overcook food.** Carefully attend to the microwave oven when paper, plastic or other combustible materials are placed inside the oven to facilitate cooking.
  - **Do not use the cavity for storage purposes.**  
Do not leave paper products, cooking utensils or food in the cavity when not in use.
  - Remove wire twist-ties from paper or plastic bags before placing bags in oven.
- **If materials inside the oven ignite:**
  - **Keep oven door closed**
  - **Turn the oven off**
  - **Disconnect the power cord or shut off power at the fuse or circuit breaker panel.**
- **To avoid electric shock:**
  - **This appliance must be grounded.** Connect only to a properly grounded outlet. See the electrical **GROUNDING INSTRUCTIONS** on page 8.
  - **Do not operate this appliance if it has a damaged cord or plug,** if it is not working properly or if it has been damaged or dropped.
  - **Do not immerse the electrical cord or plug in water.**
  - **Keep cord away from heated surfaces.**
  - **Do not let cord hang over edge of table or counter.**
- **Take care when the door is opened to avoid injury.**
- **To avoid improperly cooking some foods:**
  - **Do not heat any type of baby bottle or baby food.** Uneven heating may occur and possibly cause personal injury.
  - **Do not heat small-necked containers,** such as syrup bottles.
  - **Do not deep-fat fry in the microwave oven.**
  - **Do not attempt home canning in the microwave oven.**
  - **Some products such as whole eggs and sealed containers – for example, closed glass jars – are able to explode and should not be heated in this oven.**
- Do not cover or block any openings on the appliance.
- Do not run the oven empty.
- Install or locate this appliance only in accordance with the provided installation instructions.
- This appliance should be serviced only by qualified service personnel. Contact the nearest authorized service facility for examination, repair, or adjustment.
- Liquids, such as water, coffee, or tea can be overheated beyond the boiling point without appearing to be boiling due to surface tension of the liquid. Visible bubbling or boiling when the container is removed from the microwave oven is not always present.

**THIS COULD RESULT IN VERY HOT LIQUIDS SUDDENLY BOILING OVER WHEN THE CONTAINER IS DISTURBED OR A SPOON OR OTHER UTENSIL IS INSERTED INTO THE LIQUID.**

- To reduce the risk of injury to persons;
  - Do not overheat the liquid.
  - Stir the liquid both before and halfway through heating it.
  - Do not use straight-sided containers with narrow necks.
  - After heating, allow the container to stand in the microwave oven for a short time before removing the container.
  - Use extreme care when inserting a spoon or other utensil into the container.

**⚠ WARNING**

- Do not use the oven for the purpose of dehumidification (for example, operating the microwave oven with wet newspapers, clothes, toys, electric devices, plants, soil, pets or any other living matter inside it). The oven must only be used for heating or cooking food.
  - The results of misuse can include safety risks such as fire, burns, or death due to electric shock.
- This appliance is not intended for use by persons (Including children) with reduced physical, sensory or mental capabilities, or lack of experience and knowledge, unless they have been given supervision or instruction concerning use of the appliance by a person responsible for their safety. Children should be supervised to ensure that they do not play with the appliance.
  - Improper use may cause damage such as a fire, electric shock or burn.
- Accessible parts may become hot during use. Young children should be kept away.
  - They may be burned.
- Children must not be allowed to play with accessories or hang down from the door or any part of the oven.
  - Doing so can cause serious injury and damage.
- If the door or door seals are damaged, the oven must not be operated until it has been repaired by a competent person.
- The appliance and its accessible parts become hot during use. Care should be taken to avoid touching heating elements. Children shall be kept away unless continuously supervised.
- During use the appliance becomes hot. Care should be taken to avoid touching heating elements inside the oven.
- Do not use recycled paper products.
  - They may contain impurities which may cause sparks and/or fires when used in cooking.
- Do not rinse trays and racks by placing them in water just after cooking. This may cause breakage or damage.
  - Improper use could result in damage to the oven.
- The oven should be cleaned regularly and any food deposits should be removed.
  - Failure to maintain the oven in a clean condition could lead to deterioration of the surface that could adversely affect the life of the appliance and possibly result in a hazardous situation.
- The door or the outer surface may get hot when the appliance is operating.
- Liquids heated in certain shaped containers (especially cylindrical-shaped containers) may become overheated. The liquid may splash out with a loud noise during or after heating or when adding ingredients (instant coffee. etc.), resulting in harm to the oven and possible injury. In all containers, for best results, stir the liquid several times before heating. Always stir liquid several times between reheatings.

## FEDERAL COMMUNICATIONS COMMISSION RADIO FREQUENCY INTERFERENCE STATEMENT (U.S.A. ONLY)

This equipment generates and uses ISM frequency energy and if not installed and used properly, that is in strict accordance with the manufacturer's instructions, may cause interference to radio and television reception. It has been type tested and found to comply with limits for ISM Equipment pursuant to part 18 of FCC Rules, which are designed to provide reasonable protection against such interference in a residential installation.

However, there is no guarantee that interference will not occur in a particular installation. If this equipment does cause interference to radio or television reception, which can be determined by turning the equipment off and on, the user is encouraged to try to correct the interference by one or more of the following:

- Reorient the receiving antenna of the radio or television.
- Relocate the Microwave Oven with respect to the receiver.
- Move the microwave oven away from the receiver.
- Plug the microwave oven into a different outlet so that the microwave oven and the receiver are on different branch circuits.

The manufacturer is not responsible for any radio or TV interference caused by unauthorized modification to this microwave oven. It is the responsibility of the user to correct such interference.

### **WARNING**

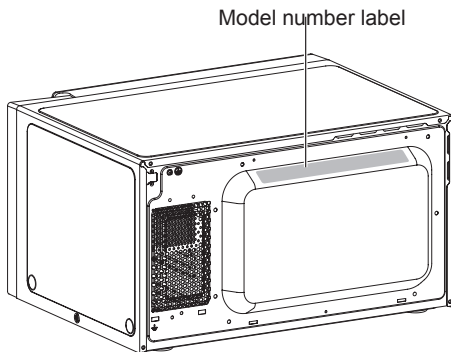
This product contains chemicals known to the State of California to cause cancer and birth defects or other reproductive harm. ***Wash hands after handling.***

**Read all instructions before using the appliance.  
SAVE THESE INSTRUCTIONS**

## PRODUCT OVERVIEW

### Location of Model Number

To request service information or replacement parts, the service center requires the complete model number of your microwave oven. The model number is on the oven back as shown in the illustration below.



### Electrical Requirements

The oven is designed to operate on a Standard 120 V/60 Hz household outlet. Be sure the circuit is at least 15 A or 20 A and the microwave oven is the only appliance on the circuit. It is not designed for 50 Hz or any circuit other than a 120 V/60 Hz circuit. No other electrical appliances or lighting circuits should be on this line. If in doubt, consult a licensed electrician.

### Voltage Warning

The voltage used at the wall receptacle must be the same as specified on the oven name plate located on the back or on the side of the control panel of the oven. Use of a higher voltage is dangerous and may result in a fire or other type of accident causing oven damage. Low voltage will cause slow cooking. If the microwave oven does not perform normally in spite of proper voltage, remove and reinsert the plug.

### Placement of the Oven

The microwave oven can be placed easily in your kitchen, family room, or anywhere else in your home. Place the oven on a flat surface such as a kitchen countertop or a specially designed microwave oven cart. Do not place oven above a gas or electric range. Free airflow around the oven is important. Allow at least 4 inches of space at the top, sides, and back of the oven for proper ventilation.

### Do Not Block Air Vents

All air vents should be kept clear during cooking. If air vents are covered during oven operation the oven may overheat. If this happens, a sensitive thermal safety device automatically turns the oven off. The oven will be inoperable until it has cooled sufficiently.

## Grounding Instructions

This appliance must be grounded. In the event of an electrical short circuit, grounding reduces the risk of electric shock by providing an escape wire for the electric current. This appliance is equipped with a cord having a grounding wire with a grounding plug. The plug must be plugged into an outlet that is properly installed and grounded.

### WARNING

- Improper use of grounding can result in a risk of electric shock.

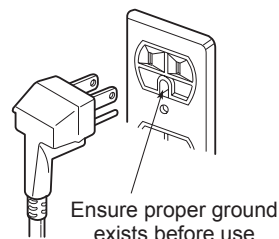
Consult a qualified electrician or service person if the grounding instructions are not completely understood, or if doubt exists as to whether the appliance is properly grounded.

1. Use of an extension cord is not recommended. If the power supply cord is too short, have a qualified electrician or service person install an outlet near the appliance.
2. If it is necessary to use an extension cord, use only a 3-wire extension cord that has a 3-blade grounding plug, and a 3-slot receptacle that will accept the plug on the appliance. The marked rating of the extension cord must be equal to or greater than the electrical rating of the appliance.

### NOTE

- A short power supply cord is provided to reduce the risks resulting from becoming entangled in or tripping over a longer cord.
- Longer cord sets or extension cords are available and may be used if care is exercised in their use.
- If a long cord or extension cord is used, (1) the marked electrical rating of the cord set or extension cord must be at least as great as the electrical rating of the appliance, (2) the extension cord must be a grounding-type 3-wire cord, and (3) the longer cord should not be draped over a counter or table where children could pull on it, or located where it could present a trip hazard.

See the separate Installation Instructions for directions on placing the cord properly.



Keep the electrical power cord dry and do not pinch or crush it in any way.



## Radio / TV / Wireless Equipment Interference

Operating the microwave oven near equipment—such as a radio, TV, wireless LAN, Bluetooth devices, medical equipment, or wireless equipment—which uses the same frequency, may cause interference. This interference is not an indication of a defect in the product or its operation. The product is safe to use.

### **WARNING**

- Do not use medical equipment near the microwave oven, as the interference could affect the medical equipment's operation.

When there is interference, it may be reduced or eliminated by taking the following measures:

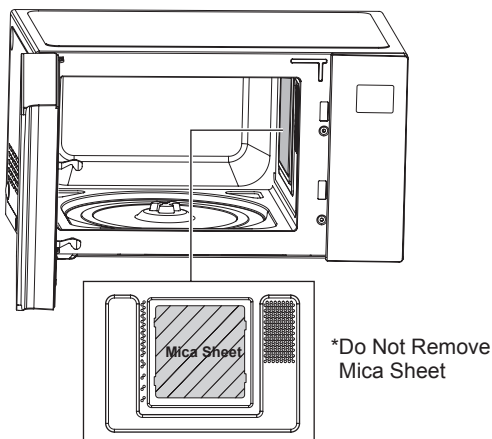
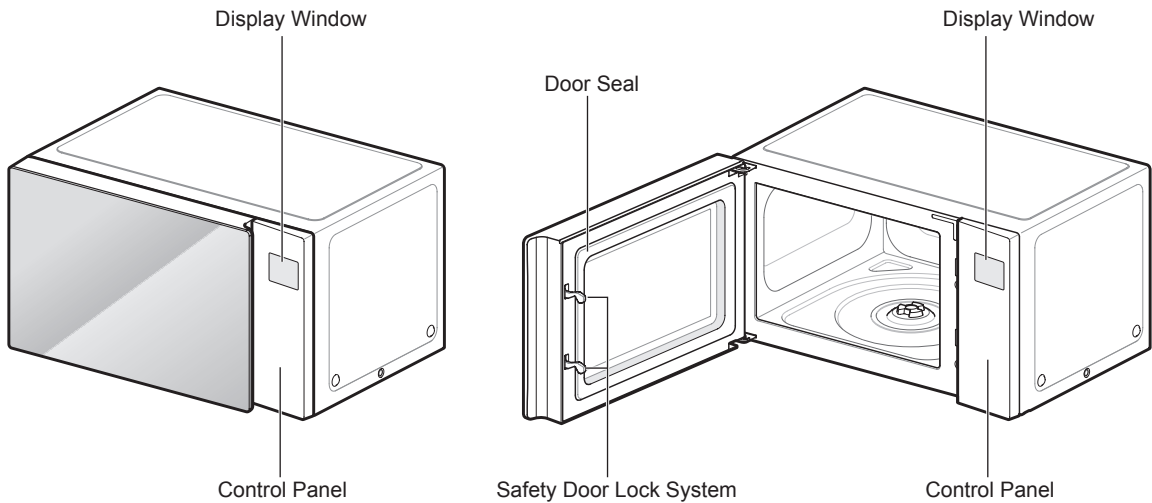
- Clean the door and the sealing surfaces of the oven.
- Reorient the receiving antenna of the radio, TV, Bluetooth, or other equipment.
- Relocate the microwave oven in relation to the radio, TV, Bluetooth, or other equipment.
- Move the microwave oven away from the receiver.
- Plug the microwave oven into a different outlet so that microwave oven and receiver are on different branch circuits.

## Oven Specifications

<b>Model</b>	LMC0975**
<b>Power Supply</b>	120 V AC, 60 Hz
<b>Rated Power Consumption</b>	1040 W
<b>Microwave Output</b>	Max. 1000 W*
<b>Frequency</b>	2450 MHz
<b>Rated Current</b>	8.7 A
<b>Overall Dimensions (W x H x D)</b>	18 3/4" x 10 11/16" x 14 1/2" (47.6 cm x 27.2 cm x 36.9 cm)
<b>Oven Cavity Dimensions (W x H x D)</b>	12 11/16" x 8 15/16" x 13 3/16" (32.2 cm x 22.8 cm x 33.5 cm)
<b>Capacity of Oven Cavity</b>	0.9 cu.ft. (0.02 m <sup>3</sup> )

\*IEC 60705 RATING STANDARD  
 Specifications subject to change without prior notice.

## Microwave Oven Features



**NOTE**

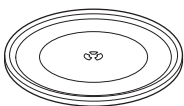
- Do not remove the cavity Mica Sheet (silver plate) inside of oven.
- The Mica Sheet is there to protect the microwave components from food spatters.

**⚠ WARNING**

- Do not operate the oven when empty or without the glass tray. It is best to leave a glass of water in the oven when not in use. The water will safely absorb all microwave energy, if the oven is accidentally started.

## Accessories

The turntable rotates in both directions to help food cook more evenly. Do not operate the microwave oven without the glass tray in place.



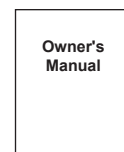
Glass Tray



Rotating Ring



Shaft



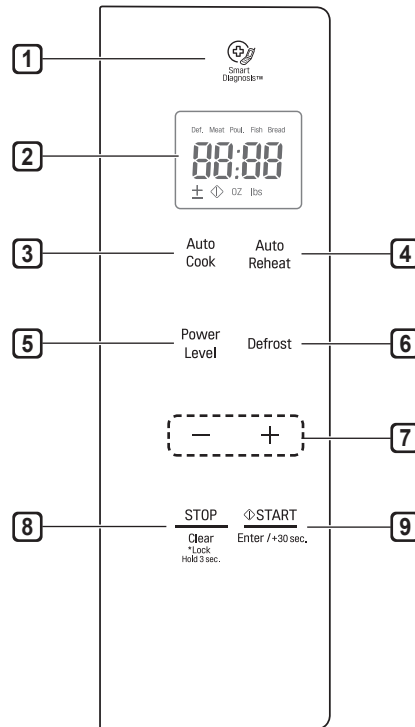
Owner's Manual

**NOTE**

This microwave oven is designed for household use only. It is not recommended for commercial use.

## Control Panel Overview

Use the control panel to select the desired cooking function quickly and easily. Simply touch a command key to select the desired function. **For more information on these features, see the OPERATION section.**



### 1 Smart Diagnosis

Hold the mouthpiece of a phone up to this icon when directed to by service center personnel, to help diagnose problems with the oven when calling for service.

### 2 Display

The display includes a clock and shows the time of day, cooking time settings, and cooking functions selected.

### 3 Auto Cook

Touch this key to cook bacon, fresh vegetables, frozen entrees, frozen vegetables, oatmeal, popcorn, potatoes, and rice.

### 4 Auto Reheat

Touch this key to reheat beverages, casseroles, dinner plates, pie, and pizza.

### 5 Power Level

The microwave oven is equipped with 10 power levels for maximum flexibility and control over cooking. The Microwave Power Levels section contains suggestions for which power level to use when preparing various foods.

### 6 Defrost

Touch this key to select food type and defrost food by weight.

### 7 More / Less

Set cooking time and weight. Lengthen or shorten the cooking time at any point by pressing the key. (Not available in Defrost mode.)

### 8 STOP / Clear

Touch this key to stop the oven or to clear all entries except time of day.

### 9 START / Enter

Touch this key to start a function, accept selections, or resume cooking if the door was opened or the STOP button was pressed once.

Pressing START without setting a cook time activates the Quick Start feature. Each press of the START button adds 30 seconds to the cooking time.

# MICROWAVE COOKING TIPS

## Microwave Cookware Guide

Use	Do Not Use
<p><b>OVENPROOF GLASS</b> (treated for high intensity heat): utility dishes, loaf dishes, pie plates, cake plates, liquid measuring cups, casseroles and bowls without metallic trim.</p> <p><b>CHINA:</b> bowls, cups, serving plates, and platters without metallic trim.</p> <p><b>PLASTIC:</b> Plastic wrap (as a cover)- lay the plastic wrap loosely over the dish and press it to the sides.  Vent plastic wrap by turning back one edge slightly to allow excess steam to escape. The dish should be deep enough so that the plastic wrap will not touch the food. As the food heats it may melt the plastic wrap wherever the wrap touches the food.  Use plastic dishes, cups, semi-rigid freezer containers and plastic bags only for short cooking time. <b>Use these with care because the plastic may soften from the heat of the food.</b></p> <p><b>PAPER:</b> Paper towels, waxed paper, paper napkins, and paper plates with no metallic trim or design. Look for the manufacturer's label for use in the microwave oven.</p> <p><b>Note:</b> Do not use recycled paper products in the microwave oven. They sometimes contain impurities that cause arcing and sparking.</p>	<p><b>METAL CONTAINERS:</b> Metal shields the food from microwave energy and produces uneven cooking. Also avoid metal skewers, thermometers, or foil trays. Metal containers can cause arcing, which can damage the microwave oven.</p> <p><b>METAL DECORATION:</b> Metal-trimmed or metal-banded dinnerware, casserole dishes, etc. The metal trim interferes with normal cooking and may damage the oven.</p> <p><b>ALUMINUM FOIL:</b> Avoid large sheets of aluminum foil because they hinder cooking and may cause harmful arcing. Use small pieces of foil to shield poultry legs and wings. Keep ALL aluminum foil at least 1 inch from the side walls and door of the oven.</p> <p><b>WOOD:</b> Wooden bowls and boards will dry out and may split or crack when you use them in the microwave oven. Baskets react in the same way.</p> <p><b>TIGHTLY COVERED COOKWARE:</b> Be sure to leave openings for steam to escape from covered containers. Pierce plastic pouches of vegetables or other food items before cooking. Tightly closed pouches could explode.</p> <p><b>BROWN PAPER:</b> Avoid using brown paper bags. They absorb too much heat and could burn.</p> <p><b>FLAWED OR CHIPPED UTENSILS:</b> Any container that is cracked, flawed, or chipped may break in the oven.</p> <p><b>METAL TWIST TIES:</b> Remove metal twist ties from plastic or paper bags. They become hot and could cause a fire.</p>

## Microwave-Safe Cookware

### Never use metal or metal trimmed cookware when using microwave function

Microwaves cannot penetrate metal. They will bounce off any metal object in the oven and cause arcing, an alarming phenomenon that resembles lightning. Most heat resistant non-metallic cookware is safe for use in your oven. However, some may contain materials that render it unsuitable as microwave cookware. If you have any doubts about a particular container, there's a simple way to find out if it can be used in the microwave.

### Testing Cookware before Use

Place the container in question next to a glass bowl filled with water inside the oven. Microwave at HIGH power for 1 minute. If the water heats up but the container remains cool to the touch, the container is microwave-safe.

However, if the water does not change temperature but the container becomes warm, microwaves are being absorbed by the container and it is not safe for use in the microwave oven. See the following list for tips on using common items when microwave cooking.

### Tableware

Many dishes are microwave-safe. If in doubt consult the manufacturer's literature or perform the microwave test. Do not put plates with painted decoration in the oven, as the paint may contain metal and cause arcing.

### Glassware

Glassware that is heat-resistant is microwave-safe. This includes all brands of oven tempered glass cookware.

Do not use delicate glassware, such as tumblers or wine glasses, as these might shatter as when heated.

### Plastic Storage Containers

Use these only for quick reheating of food. Do not use them when cooking food for long periods or at high power levels, as the hot food will eventually warp or melt the plastic.

### Paper

Paper plates and containers are convenient and safe to use in the microwave oven, provided that the cooking time is short and foods to be cooked are low in fat and moisture. Paper towels are also very useful for wrapping foods and for lining baking trays in which greasy foods such as bacon are cooked. In general, avoid colored paper products as the color may run. Some recycled paper products may contain impurities which could cause arcing or fires when used in the microwave.

### Plastic Cooking Bags

Provided they are made specially for cooking, cooking bags are microwave safe. Remember to make a slit in the bag so that steam can escape. Never use ordinary plastic bags for cooking in the microwave oven, as they will melt and rupture.

### Plastic Microwave Cookware

A variety of shapes and sizes of microwave cookware are available. You may be able to use items you already have on hand rather than investing in new kitchen equipment.

### Pottery, Stoneware, and Ceramic

Many containers made of these materials are microwave-safe, but test them before use.



### CAUTION

- Some items with high lead or iron content are not suitable for microwave cooking.
- Cookware should be checked to ensure that it is suitable for use in the microwave.

## Microwave Cooking Tips

### Keeping an Eye on Things

Always watch your food while it cooks. The light inside the microwave oven turns on automatically when the oven is cooking so you can monitor the cooking process. Directions given in recipes to elevate, stir, and the like should be thought of as the minimum steps recommended. If the food seems to be cooking unevenly, simply make the necessary adjustments you think appropriate to correct the problem.

### Factors Affecting Microwave Cooking Times

Many factors affect cooking times. The temperature of ingredients used in a recipe makes a big difference in cooking times. For example, a cake made with ice-cold butter, milk, and eggs will take considerably longer to bake than one made with ingredients that are at room temperature. Some recipes, particularly those for bread, cake, and custards, recommend that food be removed from the oven when they are slightly undercooked.

This is not a mistake. When allowed to stand, usually covered, these foods will continue to cook outside of the oven as the heat trapped within the outer portions of the food gradually travels inward. If the food is left in the oven until it is cooked all the way through, the outer portions will become overcooked or even burnt. Practice will improve your ability to estimate both cooking and standing times for various foods.

### Density of Food

Light, porous food such as cakes and breads cook more quickly than heavy, dense foods such as roasts and casseroles. You must take care when microwaving porous food so that the outer edges do not become dry and brittle.

### Height of Food

The upper portion of tall foods, particularly roasts, will cook more quickly than the lower portion.

Therefore, it is wise to turn tall food several times during cooking.

### Moisture Content of Food

Because the heat generated from microwaves causes moisture to evaporate, relatively dry food such as roasts and some vegetables should either be sprinkled with water prior to cooking or covered to retain moisture.

### Bone and Fat Content of Food

Bones conduct heat and fat cooks more quickly than meat. Care must be taken when cooking bony or fatty cuts of meat in order to prevent unevenly cooked or overcooked meat.

### Quantity of Food

The number of microwaves in your oven remains constant regardless of how much food is being cooked. Therefore, the more food you place in the oven, the longer the required cooking time. Remember to decrease cooking times by at least one third when halving a recipe.

### Shape of Food

Microwaves penetrate only about 3/4 of an inch (2 cm) into food. The interior portion of thick foods is cooked as the heat generated on the outside travels inward. Only the outer edge of food is cooked by microwave energy; the rest is cooked by conduction. The worst possible shape for a food that is to be microwaved is a thick square.

The corners will burn long before the center is even warm. Round thin foods and ring-shaped foods cook most successfully in the microwave.

### Covering

A cover traps heat and steam which causes food to cook more quickly. Use a lid or microwave cling film with a corner folded back to prevent splitting.

### Covering with Parchment Paper

Parchment paper (not waxed paper) is microwave safe. Because it makes a looser cover than a lid or clingfilm, greaseproof paper allows the food to dry out slightly.

### Stirring

Stirring is one of the most important of all microwaving techniques. In conventional cooking, food is stirred for the purpose of blending. Microwaved food, however, is stirred in order to spread and redistribute heat. Always stir from the outside towards the centre as the outside of the food heats first.

### Placing Thicker Portions Facing Outward

Place thicker cuts or portions of meat, poultry, and fish toward the outer edge of the baking dish so they absorb the most microwave energy and the food cooks more evenly.

## Shielding

Strips of aluminium foil (which block microwaves) can be placed over the corners or edges of square and rectangular foods to prevent those portions from overcooking. Never use too much foil and make sure the foil is secured to the dish or it may cause arcing in the oven especially if the foil passes too closely to the walls of the oven during rotation.

## Elevating

Thick or dense foods can be elevated so that microwaves can be absorbed by the underside and center of the foods.

## Piercing

Foods enclosed in a shell, skin or membrane are likely to burst in the oven unless they are pierced prior to cooking. Such foods include yolks and whites of eggs, clams, oysters, potatoes, and other whole vegetables and fruits.

## Testing if Cooked

Microwaves cook food quickly, so test food for doneness frequently. Some foods are left in the microwave until completely cooked, but most foods, including meats and poultry, should be removed from the oven while still slightly undercooked and allowed to finish cooking during standing time. The internal temperature of foods will rise between 5 °F (3 °C) and 15 °F (8 °C) during standing time.

## Standing Time

Foods are often allowed to stand for 3 to 10 minutes after being removed from the oven. Usually the foods are covered during standing time to retain heat unless they are supposed to be dry in texture. Standing allows foods to finish cooking and also helps flavors blend and develop.

## Precautions

- Place the front surface of the door three inches or more from the countertop edge to avoid accidental tipping of the microwave oven during normal use.
- To program the oven, make sure you touch the center of each pad firmly since the areas between the pads will not activate the oven. A tone will sound each time a pad is touched correctly. Don't touch several pads at once.
- Do not strike the control panel with silverware, utensils, etc. Breakage may occur.
- Always use caution when taking cookware out of the oven. Some dishes absorb heat from the cooked food and may be hot. See Cookware Guide earlier in this section for more information.
- Do not rinse containers by placing them in water immediately after cooking. This may cause breakage. Also, always allow the turntable to cool before removing it from the oven.
- Never operate the oven when it is empty. Food or water should always be in the oven during operation to absorb the microwave energy.
- Do not use the oven to dry newspapers or clothes. They may catch fire.
- Use thermometers that have been approved for microwave oven cooking.
- The turntable must always be in place when you operate the oven.
- Do not use your microwave oven to cook eggs in the shell. Pressure can build up inside the shell, causing it to burst.
- There are several precautions to follow when microwaving popcorn:
  - Do not pop popcorn, except in a microwave-safe container or commercial packages designed for microwave ovens.
  - Never try to pop popcorn in a paper bag that is not microwave-approved.
  - Overcooking may result in smoke and fire.
  - Do not repop unpopped kernels.
  - Do not reuse popcorn bags.
  - Listen while corn pops. Stop oven when popping slows to 2-3 seconds between pops.
  - Do not leave microwave unattended while popping corn.
  - Follow directions on bag.



## OPERATION

This section introduces you to the basics you need to know to operate the microwave oven. Please read this information before using the oven.



### CAUTION

To avoid risk of personal injury or property damage, do not use stoneware, metal cookware, or metal rimmed cookware in the oven.

## Audible Signals

Audible signals are available to guide you when setting and using the oven:

- A tone will sound each time you touch a key.
- A melody signals the end of a Timer countdown.
- A melody signals the end of a cooking cycle.

## Clock

When the oven is plugged in for the first time or when power resumes after a power interruption, the clock defaults to the 12-hour clock mode and 12H appears in the display. You can set the time or switch to the 24-hour clock mode.

### Setting the Clock Mode and Time of Day

- 1 Press **+** repeatedly to toggle between the 24-hour (24H) and 12-hour (12H) clock mode.
- 2 Press **START** to set the clock mode.
- 3 To set the time of day, press **+** or **-** to select the desired hour.
- 4 Press **START** to set the hour.
- 5 Press **+** or **-** to select the desired minutes.
- 6 Press **START** to finish setting the time of day.

### NOTE

- Press and hold **+** or **-** to quickly increase or decrease numbers.
- To reset the clock mode, you must unplug and reconnect the power cord.
- If you don't want the time of day to appear in the display, press the **STOP/Clear** button, after plugging in the oven.



### CAUTION

To avoid risk of personal injury or property damage, do not run oven while it is empty.

## Interrupting Cooking

Stop the oven during a cycle by opening the door. The oven stops heating and the fan stops, but the light stays on. To restart cooking, close the door and touch **START**.

To stop cooking and clear the remaining cook time, open the door and touch **STOP/Clear**.

## Child Lock

Use this safety feature to lock the control panel and prevent the oven from being turned on when cleaning the oven or to prevent children from unsupervised use of the oven.

### Locking the Oven

- 1 Touch and hold **STOP/Clear** until **Loc** appears in the display and a melody sounds. (approximately 3 seconds)

### Unlocking the Oven

- 1 Touch and hold **STOP/Clear** until **Loc** disappears and a melody sounds. (approximately 3 seconds)

### NOTE

- If set, the time of day reappears in the display after 1 second.
- If the oven is locked, **Loc** appears in the display when any key is touched.
- Unlock the oven to resume normal use.

## Quick Start

The Quick Start feature allows you to set 30-second intervals of High power cooking with each touch of the **START** button.

- 1 Press **STOP/Clear**.
- 2 Press **START**.
  - The oven will immediately start cooking for 30 seconds on high power.
  - Press **START** repeatedly to extend the cook time by 30 seconds every time the button is pressed.
  - The cook time can be extended to 99 minutes and 59 seconds.



## More / Less

By using the **-** or **+** key, manual cook settings can be adjusted to cook food for a longer or shorter time. Pressing **+** adds 10 seconds to the cooking time each time you press it. Pressing **-** subtracts 10 seconds from the cooking time each time you press it. The maximum cooking time possible in the manual cook mode is 99 min 59 seconds.

### Adjusting the Cooking Time

- 1 Press **STOP/Clear**.
- 2 Press **START**.
- 3 Press **+** or **-** to increase or decrease the remaining time by 10 seconds.

## Energy Saving

When the oven is not in use, the display turns off to save energy, **unless the time of day is set to show in the display**.

## Setting Manual Cooking Times

When not using the auto cooking functions, the cooking time and power level are set manually.

- 1 Press **STOP/Clear**.
- 2 Press **+** or **-** until the desired cooking time appears in the display.
- 3 Press **Power Level** once, **P-HI** appears in the display.
  - P-HI indicates that the power level is at 100%.
- 4 Press **-** to decrease the power level in 10-percent increments, if desired.
- 5 Press **START**.
  - When cooking is complete, a chime sounds and "End" appears in the display window. "End" remains in the display and the chime repeats every minute until the door is opened, or any button is pressed.

### NOTE

- If a power level is not selected, the oven defaults to 100% power.

## Microwave Power Levels

This microwave oven is equipped with 10 power levels to give you maximum flexibility and control over cooking. See the table for suggested power levels for various foods.

### Microwave Power Level Chart

Power Level	Use
P-HI (100 %)	<ul style="list-style-type: none"> <li>• Boiling water.</li> <li>• Browning ground beef.</li> <li>• Making candy.</li> <li>• Cooking poultry pieces, fish, &amp; vegetables.</li> <li>• Cooking tender cuts of meat.</li> </ul>
P-90	<ul style="list-style-type: none"> <li>• Reheating rice, pasta, &amp; vegetables.</li> </ul>
P-80	<ul style="list-style-type: none"> <li>• Reheating prepared foods quickly.</li> <li>• Reheating sandwiches.</li> </ul>
P-70	<ul style="list-style-type: none"> <li>• Cooking egg, milk and cheese dishes.</li> <li>• Melting chocolate.</li> </ul>
P-60	<ul style="list-style-type: none"> <li>• Cooking veal.</li> <li>• Cooking whole fish.</li> <li>• Cooking puddings and custard.</li> </ul>
P-50	<ul style="list-style-type: none"> <li>• Cooking ham, whole poultry and lamb.</li> <li>• Cooking rib roast and sirloin tip.</li> </ul>
P-40	<ul style="list-style-type: none"> <li>• Thawing meat, poultry and seafood.</li> </ul>
P-30	<ul style="list-style-type: none"> <li>• Cooking less tender cuts of meat.</li> <li>• Cooking pork chops and roasts.</li> </ul>
P-20	<ul style="list-style-type: none"> <li>• Taking chill out of fruit.</li> <li>• Softening butter.</li> </ul>
P-10	<ul style="list-style-type: none"> <li>• Keeping casseroles and main dishes warm.</li> <li>• Softening butter and cream cheese.</li> </ul>

## Auto Cook

The Auto Cook menu has preprogrammed settings to automatically cook certain foods. Select the correct category for your item using the Auto Cook chart on the next page, enter the amount, then press **START** and the oven automatically cooks the item.

- 1** Press **STOP/Clear**.
- 2** Press **Auto Cook** once.  
**Ac-1** appears in the display.
- 3** Press **+** repeatedly to select a food category. For example, press until **Ac-2** appears in the display to cook fresh vegetables.
- 4** Press **START**.
- 5** Press **+** until the correct amount shows in the display.
- 6** Press **START**.

## Auto Reheat

The Auto Reheat menu has preprogrammed settings to automatically reheat certain foods. Select the correct category for your item using the Auto Reheat chart on page 20, enter the amount, then press **START** and the oven automatically reheats the item.

- 1** Press **STOP/Clear**.
- 2** Press **Auto Reheat** once.  
**Ar-1** appears in the display.
- 3** Press **+** repeatedly to select a food category. For example, press until **Ar-4** appears in the display to reheat pie.
- 4** Press **START**.
- 5** Press **+** until the correct amount shows in the display.
- 6** Press **START**.

## Auto Cook Table

Code	Category	Recommended Amounts	Directions															
Ac-1	<b>Bacon</b>	2 - 4 slices	Place bacon slices on a microwave bacon rack for best results. (Use dinner plate lined with paper towels if rack is not available.)															
Ac-2	<b>Fresh Vegetable</b>	1 - 4 cups	Place in a microwaveable bowl or casserole. Add water according to the quantity. <ul style="list-style-type: none"> <li>• 1-2 cups : add 2 tbsp water.</li> <li>• 3-4 cups : add 4 tbsp water.</li> </ul> Cover with vented plastic wrap. Let stand 3 minutes after cooking.															
Ac-3	<b>Frozen Entree</b>	10 - 40 oz.	Remove from outer display package. Slit cover. If not in microwave-safe container, place on a microwaveable plate and cover with vented plastic wrap. After cooking, let stand in microwave oven 3 minutes.															
Ac-4	<b>Frozen Vegetable</b>	1 - 4 cups	Place in a microwaveable bowl or casserole. <ul style="list-style-type: none"> <li>• 1-2 cups : add 2 tbsp water.</li> <li>• 3-4 cups : add 4 tbsp water.</li> </ul> Cover with vented plastic wrap. Let stand 3 minutes after cooking.															
Ac-5	<b>Oatmeal</b>	1 - 2 servings	<table border="1"> <thead> <tr> <th></th> <th>1 serving</th> <th>2 servings</th> </tr> </thead> <tbody> <tr> <td>Oats</td> <td>½ cup (40 g)</td> <td>1 cup (80 g)</td> </tr> <tr> <td>Water or Milk</td> <td>1 cup (230 g)</td> <td>1 ½ cup (345 g)</td> </tr> <tr> <td>Salt (optional)</td> <td>Dash</td> <td>1/8 tsp.</td> </tr> </tbody> </table> Combine water or milk, salt and oats in large microwave-safe bowl. Cover with vented plastic wrap. Let stand 3 minutes after cooking.		1 serving	2 servings	Oats	½ cup (40 g)	1 cup (80 g)	Water or Milk	1 cup (230 g)	1 ½ cup (345 g)	Salt (optional)	Dash	1/8 tsp.			
	1 serving	2 servings																
Oats	½ cup (40 g)	1 cup (80 g)																
Water or Milk	1 cup (230 g)	1 ½ cup (345 g)																
Salt (optional)	Dash	1/8 tsp.																
Ac-6	<b>Popcorn</b>	3.5 oz.	Pop only one package at a time. For best results, use a fresh bag of popcorn. Place a bag of prepackaged microwave popcorn on the center of the glass tray.															
Ac-7	<b>Potato</b>	1 - 4 ea	Pierce skin with a fork and place on paper towel. Do not cover. Let stand 5 minutes after cooking.															
Ac-8	<b>Rice</b>	½ - 2 cups	<table border="1"> <thead> <tr> <th></th> <th>½ cup</th> <th>1 cup</th> <th>1 ½ cup</th> <th>2 cups</th> </tr> </thead> <tbody> <tr> <td>Rice</td> <td>½ cup (96 g)</td> <td>1 cup (192 g)</td> <td>1 ½ cup (288 g)</td> <td>2 cups (384 g)</td> </tr> <tr> <td>Water</td> <td>1 cup (230 g)</td> <td>2 cups (460 g)</td> <td>3 cups (690 g)</td> <td>4 cups (920 g)</td> </tr> </tbody> </table> Add rice and water in a deep and large microwave-safe bowl (3 qt./3 L). Cover with vented plastic wrap. Let stand 5-10 minutes after cooking.		½ cup	1 cup	1 ½ cup	2 cups	Rice	½ cup (96 g)	1 cup (192 g)	1 ½ cup (288 g)	2 cups (384 g)	Water	1 cup (230 g)	2 cups (460 g)	3 cups (690 g)	4 cups (920 g)
	½ cup	1 cup	1 ½ cup	2 cups														
Rice	½ cup (96 g)	1 cup (192 g)	1 ½ cup (288 g)	2 cups (384 g)														
Water	1 cup (230 g)	2 cups (460 g)	3 cups (690 g)	4 cups (920 g)														

## Auto Reheat Table

Code	Category	Recommended Amounts	Directions
Ar-1	<b>Beverage</b>	1 - 2 cups (240 ml per cup)	Use a mug or microwave-safe cup. Do not cover. Stir after reheating. (Be careful! The beverage will be very hot. Sometimes liquids heated in cylindrical containers will splash out unexpectedly when the cup is moved.)
Ar-2	<b>Casserole</b>	10 - 20 oz	Place in a microwaveable bowl or casserole. Cover with vented plastic wrap. Let stand 3 minutes after heating.
Ar-3	<b>Dinner plate</b>	1	Place food on a plate. Cover with vented plastic wrap. Let stand 3 minutes after heating.
Ar-4	<b>Pie</b>	10 - 20 oz	Cut leftover pie into pieces. Place food on a microwave-safe dish. Place food in the oven. Choose the menu and weight, press Start.
Ar-5	<b>Pizza</b>	1 - 3 slices	This is a reheat function for leftover pizza. Do not use to cook pizza. Place on paper towel on a microwave safe plate.

### NOTE

- Do not use recycled paper products in the microwave oven. They sometimes contain impurities that cause arcing and sparking.
- If popcorn bag size is not known, follow manufacturers' instructions and do not use Auto Cook feature.
- Do not attempt to reheat or cook any unpopped kernels.
- Do not reuse bag. Overcooking can result in an oven fire.
- Prepare only one bag at a time.
- Do not use popcorn popping devices in microwave oven with this feature.
- Do not leave microwave unattended while cooking popcorn.



### CAUTION

Never use a brown paper bag for popping corn.



When popping prepackaged popcorn, place the bag carefully in the oven so it does not touch the walls as it rotates. Fold the ends of the bag up and toward the center of the bag as shown.

## Defrost

The oven has 4 preset defrost cycles. The defrost feature provides the best defrosting method for frozen foods. The Defrost Table shows the suggested defrost cycle for various foods.

The Defrost function conveniently chimes partway through the defrost cycle to remind you to check, turn over, separate, or rearrange the food for best results.

### 1 MEAT

### 2 POULTRY

### 3 FISH

### 4 BREAD

#### Defrosting 1.2 Lbs of Meat

- 1 Press **STOP/Clear**.
- 2 Press **Defrost** once.  
**dEF1** appears in the display.
- 3 Press **+** until display shows **1.2 lbs**.
- 4 Press **START**.

#### NOTE

- The countdown appears in the display after **START** is pressed. The oven chimes once, partway through the defrost cycle.
- At the chime, open the oven door and turn the food over. Remove any food that has thawed. Return the still frozen items to the oven and press **START** to complete the defrost cycle.

## Defrost Table

Category	Food to be Defrosted
<b>MEAT</b> <b>(dEF1)</b> <b>0.1 - 6.0 lbs</b>	<p><b>Beef</b> Ground beef, round steak, stew cubes, tenderloin steak, pot roast, rib roast, rump roast, chuck roast, hamburger patties</p> <p><b>Lamb</b> Chops, rolled roast</p> <p><b>Pork</b> Chops, hotdogs, spareribs, country-style ribs, rolled roast, sausage</p> <p><b>Veal</b> Cutlets (1 lb, ½ inch thick)</p> <p>Turn food over at beep. After defrosting, let stand for 5 - 15 minutes.</p>
<b>POULTRY</b> <b>(dEF2)</b> <b>0.1 - 6.0 lbs</b>	<p><b>Poultry</b> Whole, cut-up, breast (boneless). Rinse chicken cavity with tap water and let stand for 60 minutes after cooking for better results.</p> <p><b>Cornish Hens</b> Whole</p> <p><b>Turkey</b> Breast</p> <p>Turn food over at beep. After defrosting, let stand for 60 minutes.</p>
<b>FISH</b> <b>(dEF3)</b> <b>0.1 - 4.0 lbs</b>	<p><b>Fish</b> Fillets, whole steaks</p> <p><b>Shellfish</b> Crab meat, lobster tails, shrimp, scallops</p> <p>Turn food over at beep. After defrosting, let stand for 5 - 10 minutes.</p>
<b>BREAD</b> <b>(dEF4)</b> <b>0.1 - 2.0 lbs</b>	<p>Sliced bread, buns, baguettes, etc. Separate slices and place between paper towels or on flat plate.</p> <p>Turn food over at beep. After defrosting, let stand for 1 - 2 minutes.</p>

## Defrosting Tips

- **When using** Auto Defrost, the weight to be entered is the net weight in pounds and tenths of pounds (the weight of the food minus the container).
- **Before starting**, remove the metal twist-ties which often come with frozen food bags, and replace them with strings or elastic bands.
- **Open containers** such as cartons before they are placed in the oven.
- **Always slit** or pierce plastic pouches or packaging.
- **If food is foil wrapped**, remove foil and place the food in a suitable container.
- **Slit** the skins, if any, of frozen food such as sausage.
- **Bend** plastic pouches of food to ensure even defrosting.
- **Always underestimate** defrosting time. If defrosted food is still icy in the center, return it to the microwave oven for more defrosting.
- **The length** of defrosting time varies according to how solidly the food is frozen.
- **The shape of the package** affects how quickly food will defrost. Shallow packages will defrost more quickly than a deep block.
- **As food begins to defrost**, separate the pieces. Separated pieces defrost more easily.
- **Use small pieces of aluminum foil** to shield parts of food such as chicken wings, leg tips, fish tails, or areas that start to get warm. Make sure the foil does not touch the sides, top, or bottom of the oven. The foil can damage the oven lining.
- **For better results**, let food stand after defrosting. (For more information on standing time, see the **Microwave Cooking Tips** section.)
- **Turn over** food during defrosting or standing time. Break apart and remove food as required.

## Weight Conversion Table

Most food weights are given in pounds and ounces. If using pounds, food weights must be entered into Auto Defrost in pounds and tenths of pounds (decimals).

Use the following table if necessary to convert food weights to decimals.

Equivalent Weight	
OUNCES	DECIMAL WEIGHT
1.6	.10
3.2	.20
4.8	.30
6.4	.40
8.0	.50 One-Half Pound
9.6	.60
11.2	.70
12.8	.80
14.4	.90
16.0	1.00 One Pound

## Operating Tips

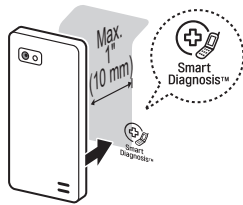
- Remove fish, shellfish, meat, and poultry from its original wrapping paper or plastic package. Otherwise, the wrap will hold steam and juice close to the foods, which can cause the outer surface of the foods to cook.
- Place foods in a shallow container or in a microwave roasting dish to catch the drippings.
- Food should still be somewhat icy in the center when removed from the oven.
- The length of defrosting time varies according to how solidly the food is frozen.
- The shape of the package affects how quickly food will defrost. Shallow packages will defrost more quickly than a deep block.
- Depending on the shape of the food, some areas may defrost more quickly than others.
- For best results, shape ground meat into the form of a doughnut before freezing. When defrosting, scrape off thawed meat when the beep sounds and continue defrosting.

# SMART DIAGNOSIS™

## Using the Smart Diagnosis™ Function

Should you experience any problems with the oven, it has the capability of transmitting data via your telephone to the LG Customer Information Center.

- 1 Call the LG Customer Information Center at 1-800-243-0000 (U.S.) or 1-888-542-2623 (Canada).
- 2 When instructed to do so by the call center agent, hold the mouthpiece of your phone over the Smart Diagnosis™ logo on the control panel.



### NOTE

- Do not touch any other buttons.

- 3 Open the oven door. Press and hold the Clear button for 8 seconds, until "5" appears in the display. Release the button and audible transmission tones start sounding.
- 4 Keep the phone in place until the tone transmission has finished. The display will count down the time.
- 5 Once the countdown is over and the tones have stopped, resume your conversation with the call center agent, who will then be able to assist you in using the information transmitted for analysis.

### NOTE

- For best results, do not move the phone while the tones are being transmitted.
- If the call center agent is not able to get an accurate recording of the data, you may be asked to try again.

# MAINTENANCE

## Caring for the Microwave Oven

### Interior

Food spatters or spilled liquids stick to oven walls and between the seal and door surfaces. Although the oven interior has an antibacterial coating, it is best to wipe up spillovers with a damp cloth right away. Crumbs and spillovers will absorb microwave energy and lengthen cooking times and may even damage the oven. Use a damp cloth to wipe out crumbs that fall between the door and the frame. It is important to keep this area clean to assure a tight seal. Remove greasy spatters with a soapy cloth then rinse and dry. Do not use harsh detergent or abrasive cleaners. Anti-bacterial claim based on internal testing with e-coli and Staphylococcus bacteria, showing coating prevents 99.99 % of bacterial growth on the surface of the cavity of NeoChef.

### Exterior

Disconnect the plug from the power outlet before cleaning the oven to eliminate the possibility of electric shock. Clean the outside of your oven with soap and water then with clean water and dry with a soft cloth or paper towel. To prevent damage to the operating parts inside the oven, the water should not be allowed to seep into the ventilation openings. To clean control panel, open the door to prevent the oven from accidentally starting, and wipe with a damp cloth followed immediately by a dry cloth. Press STOP after cleaning.

If steam accumulates inside or around the outside of the oven door, wipe the panels with a soft cloth. Steam or condensation buildup inside the door is normal if foods are heated for a long period on higher power levels. This is not a malfunction. The condensation will eventually evaporate. Try covering the food or varying the heating levels and time to reduce any condensation forming in the door. This may also occur when the oven is operated under high humidity conditions and in no way indicates a malfunction of the unit.

The door and door seals should be kept clean. Use only warm, soapy water, rinse then dry thoroughly. DO NOT USE ABRASIVE MATERIALS, SUCH AS CLEANING POWDERS OR STEEL AND PLASTIC PADS.

Metal parts will be easier to maintain if wiped frequently with a damp cloth.

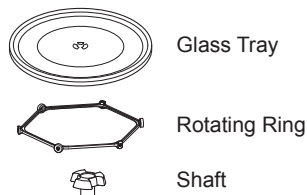
### NOTE

- **Abrasive cleansers, steel wool pads, gritty wash cloths, some paper towels, etc.,** can damage the control panel and the interior and exterior oven surfaces.

**To clean the glass tray and rotating ring,** wash in mild, sudsy water.

For heavily soiled areas use a mild cleanser and scouring sponge.

The glass tray and rotating ring are dishwasher safe.





# TROUBLESHOOTING

## Frequently Asked Questions

### Operation

#### Why is the oven light not on during cooking?

Make sure the cooking time has been set and the START button has been pressed.

#### Why does steam come out of the air exhaust vent?

Steam is normally produced during cooking. The microwave oven has been designed to vent this steam.

#### Will the microwave oven be damaged if it operates empty?

Yes. Never operate the oven empty or without the glass tray.

#### Does microwave energy pass through the viewing screen in the door?

No. The metal screen bounces the energy back to the oven cavity. The holes (or ports) allow only light to pass through. They do not let microwave energy pass through.

#### Why does a tone sound when a pad on the control panel is touched?

The tone tells you that the setting has been entered.

#### Can my microwave oven be damaged if food is cooked for too long?

Like any other cooking appliance, it is possible to overcook food to the point that the food creates smoke and even possibly fire, and damage to the inside of the oven. It is always best to be near the oven while you are cooking.

#### I've plugged the oven in and it does not work properly. What is wrong?

The microcomputer controlling your oven may temporarily become scrambled and fail to function as programmed when you plug the oven in for the first time or when power resumes after a power interruption. Unplug the oven from the 120 V household outlet and then plug it back in to reset the microcomputer.

#### Why do I see light reflection around the outer case?

This light is from the oven light which is located between the oven cavity and the outer wall of the oven.

#### What are the various sounds I hear when the microwave oven is operating?

The clicking sound is caused by a mechanical switch turning the microwave oven's magnetron ON and OFF.

The heavy hum and clunk is from the change in power the magnetron draws as it is turned ON and OFF by a mechanical switch. The change in blower speed is from the change in line voltage caused by the magnetron being turned ON and OFF.

### Food

#### Is it possible to pop popcorn in a microwave oven?

Yes, if using one of the two methods described below:

(1) microwave-popping devices designed specifically for microwave cooking

(2) prepackaged commercial microwave popcorn that specifies the cook time and power output needed.

Follow exact directions given by each manufacturer for its popcorn popping product and do not leave the oven unattended while the corn is being popped. If corn fails to pop after the suggested time, discontinue cooking. Overcooking could result in an oven fire.



#### CAUTION

Never use a brown paper bag for popping corn or attempt to pop leftover kernels.

#### Why is a standing time recommended after microwave cooking time is over?

Standing time allows foods to continue cooking evenly for a few minutes after the actual microwave oven cooking cycle. The amount of standing time depends upon the density of the foods.

#### Why is additional time required for cooking food stored in the refrigerator?

As in conventional cooking, the initial temperature of food affects total cooking time. You need more time to cook food taken out of a refrigerator than for food at room temperature.

## Before Calling for Service

You can often correct operating problems yourself. If your microwave oven fails to work properly, locate the operating problem in the list below and try the solutions listed for each problem.

If the microwave oven still does not work properly, contact the nearest LG Authorized Service Center. LG Authorized Service Centers are fully equipped to handle your service requirements.

Symptoms	Possible Causes / Solutions
<b>Oven does not start</b>	<ul style="list-style-type: none"> <li>• Plug in power cord.</li> <li>• Close oven door.</li> <li>• Set cooking time.</li> </ul>
<b>Arcing or Sparking</b>	<ul style="list-style-type: none"> <li>• Cookware is not microwave safe. When in doubt, test cookware before use.</li> <li>• Do not operate oven while empty.</li> </ul>
<b>Incorrect time of day</b>	<ul style="list-style-type: none"> <li>• Possible power interruption. See Clock section to reset time of day.</li> </ul>
<b>Unevenly Cooked Foods</b>	<ul style="list-style-type: none"> <li>• Test cookware to make sure it is microwave safe.</li> <li>• Do not cook without the glass tray.</li> <li>• Turn or stir food while cooking.</li> <li>• Defrost food completely before cooking.</li> <li>• Use correct cook time and power level.</li> </ul>
<b>Overcooked Foods</b>	<ul style="list-style-type: none"> <li>• Change cook time or power level.</li> </ul>
<b>Undercooked Foods</b>	<ul style="list-style-type: none"> <li>• Test that cookware is microwave safe.</li> <li>• Defrost food completely before cooking.</li> <li>• Change cook time or power level.</li> <li>• Make sure ventilation ports are not blocked.</li> </ul>
<b>Improper Defrosting</b>	<ul style="list-style-type: none"> <li>• Test that cookware is microwave safe.</li> <li>• Change defrost time or weight.</li> <li>• Turn or stir food during defrost cycle.</li> </ul>

## WARRANTY (USA)

**WARRANTY:** Should your LG Microwave fail due to a defect in materials or workmanship under normal home use, during the warranty period set forth below, LG will at its option repair or replace the product. This limited warranty is valid only to the original retail purchaser of the product and applies only when purchased and used within the United States including U.S. Territories. Proof of original retail purchase is required to obtain warranty service under this limited warranty.

Warranty Period	HOW SERVICE IS HANDLED
<p><b>LABOR:</b> One Year from the Date of Purchase*.</p> <p><b>PARTS</b> (except as listed below): One Year from the Date of Purchase*.</p> <p><b>MAGNETRON:</b> Ten Years from the Date of Purchase*.</p> <p>Replacement Units and Repair Parts are warranted for the remaining portion of the original unit's warranty period.</p> <p>* Retain your sales receipt to prove the date of purchase. A copy of your sales receipt must be submitted at the time warranty service is provided.</p>	<p><b>Please call 1-800-243-0000 and choose the appropriate option.</b> (Phones are answered 24 hours a day, 365 days per year.) Please have the product type (Microwave) and your ZIP code ready.</p> <p>Or visit our website at: <a href="http://www.lg.com">www.lg.com</a></p>

**THIS WARRANTY IS IN LIEU OF ANY OTHER WARRANTY, EXPRESS OR IMPLIED, INCLUDING WITHOUT LIMITATION, ANY WARRANTY OF MERCHANTABILITY OR FITNESS FOR A PARTICULAR PURPOSE. TO THE EXTENT ANY IMPLIED WARRANTY IS REQUIRED BY LAW, IT IS LIMITED IN DURATION TO THE EXPRESS WARRANTY PERIOD ABOVE. SIGNATURE KITCHEN SUITE WILL NOT BE LIABLE FOR ANY INCIDENTAL, CONSEQUENTIAL, INDIRECT, SPECIAL, OR PUNITIVE DAMAGES OF ANY NATURE, INCLUDING WITHOUT LIMITATION, LOST REVENUES OR PROFITS, OR ANY OTHER DAMAGE WHETHER BASED IN CONTRACT, TORT, OR OTHERWISE.**

Some states do not allow the exclusion or limitation of incidental or consequential damages or limitations on how long an implied warranty lasts, so the above exclusion or limitation may not apply to you. This warranty gives you specific legal rights and you may also have other rights that vary from state to state.

### THIS LIMITED WARRANTY DOES NOT APPLY TO:

- Service trips to deliver, pick up, or install or repair the product; instruction to the customer on operation of Service trips to your home to deliver, pick up, and/or install the product, instruct, or replace house fuses or correct wiring, or correction of unauthorized repairs.
- Damages or operating problems that result from misuse, abuse, operation outside environmental specifications or contrary to the requirements of precautions in the Operating Guide, accident, vermin, fire, flood, improper installation, acts of God, unauthorized modification or alteration, incorrect electrical current or voltage, or commercial use, or use for other than intended purpose.

**The cost of repair or replacement under these excluded circumstances shall be borne by the consumer.**

For complete warranty details and customer assistance, please call or visit our website:

Call 1-800-243-0000 (24 hours a day, 365 days a year) and select the appropriate option from the menu, or visit our website at <http://www.lg.com>

### Write your warranty information below

Product Registration Information: \_\_\_\_\_

Model: \_\_\_\_\_

Serial Number: \_\_\_\_\_

Date of Purchase: \_\_\_\_\_

## WARRANTY (CANADA)

**WARRANTY:** Should your LG Microwave (“Product”) fail due to a defect in material or workmanship under normal home use during the warranty period set forth below, LG Canada will at its option repair or replace the Product upon receipt of proof of original retail purchase. This warranty is valid only to the original retail purchaser of the product and applies only to a product distributed in Canada by LG Canada or an authorized Canadian distributor thereof. The warranty only applies to products located and used within Canada. In home warranty repair will be provided within 150 km of an authorized service center (ASC). Repairs outside the 150 km radius will need to be delivered to the ASC at the customer's expense.

**WARRANTY PERIOD: (Note: If the original date of purchase cannot be verified, the warranty will begin sixty (60) days from the date of manufacture).**

Over-the-Range / All Convection / Microwaves in Built-in application / All other Microwave Oven	Extended Component Warranty (Parts Only)	
One (1) year from the date of original retail purchase	Five (5) years from the date of original retail purchase	Ten (10) years from the date of original retail purchase
Parts and Labor (In-Home ; OTR & Convection) (internal/functional parts only)	Magnetron Only	Inverter Magnetron Only

- Replacement products and parts are warranted for the remaining portion of the original warranty period or ninety (90) days, whichever is greater.
- Replacement products and parts may be new or remanufactured.
- LG Authorized Service Center warranties their repair work for thirty (30) days.

LG CANADA'S SOLE LIABILITY IS LIMITED TO THE WARRANTY SET OUT ABOVE. EXCEPT AS EXPRESSLY PROVIDED ABOVE, LG CANADA MAKES NO AND HEREBY DISCLAIMS ALL OTHER WARRANTIES AND CONDITIONS RESPECTING THE PRODUCT, WHETHER EXPRESS OR IMPLIED, INCLUDING, BUT NOT LIMITED TO, ANY IMPLIED WARRANTY OR CONDITION OF MERCHANTABILITY OR FITNESS FOR A PARTICULAR PURPOSE, AND NO REPRESENTATIONS SHALL BE BINDING ON LG CANADA. LG CANADA DOES NOT AUTHORIZE ANY PERSON TO CREATE OR ASSUME FOR IT ANY OTHER WARRANTY OBLIGATION OR LIABILITY IN CONNECTION WITH THE PRODUCT. TO THE EXTENT THAT ANY WARRANTY OR CONDITION IS IMPLIED BY LAW, IT IS LIMITED TO THE EXPRESS WARRANTY PERIOD ABOVE. LG CANADA, THE MANUFACTURER OR DISTRIBUTOR SHALL NOT BE LIABLE FOR ANY INCIDENTAL, CONSEQUENTIAL, SPECIAL, DIRECT OR INDIRECT DAMAGES, LOSS OF GOODWILL, LOST PROFITS, PUNITIVE OR EXEMPLARY DAMAGES OR ANY OTHER DAMAGE, WHETHER ARISING DIRECTLY OR INDIRECTLY FROM ANY CONTRACTUAL BREACH, FUNDAMENTAL OR OTHERWISE, OR FROM ANY ACTS OR OMISSIONS, TORT, OR OTHERWISE.

This warranty gives you specific legal rights. You may have other rights which may vary from province to province depending on applicable provincial laws. Any term of this warranty that negates or varies any implied condition or warranty under provincial law is severable where it conflicts with provincial law without affecting the remainder of this warranty's terms.

### THIS LIMITED WARRANTY DOES NOT COVER:

- Service trips to deliver, pick up, or install the product; instructing a customer on operation of the product; repair or replacement of fuses or correction of wiring , or correction of unauthorized repairs/installation.
- Failure of the product to perform during power failures and interruptions or inadequate electrical service.
- Damage caused by leaky or broken water pipes, frozen water pipes, restricted drain lines, inadequate or interrupted water supply or inadequate supply of air.
- Damage resulting from operating the product in a corrosive atmosphere or contrary to the instructions outlined in the product owner's manual.
- Damage to the product caused by accidents, pests and vermin, lightning, wind, fire, floods, or acts of God.
- Damage resulting from the misuse, abuse, improper installation, repair, or maintenance of the product. Improper repair includes use of parts not approved or specified by LG Canada.

- Damage or product failure caused by unauthorized modification or alteration, or use for other than its intended purpose, or resulting from any water leakage due to improper installation.
- Damage or product failure caused by incorrect electrical current, voltage, commercial or industrial use, or use of accessories, components, or cleaning products that are not approved by LG Canada.
- Damage caused by transportation and handling, including scratches, dents, chips, and/or other damage to the finish of your product, unless such damage results from defects in materials or workmanship and is reported within one (1) week of delivery.
- Damage or missing items to any display, open box, discounted, or refurbished product.
- Products with original serial numbers that have been removed, altered, or cannot be readily determined. Model and Serial numbers, along with original retail sales receipt, are required for warranty validation.
- Increases in utility costs and additional utility expenses.
- Replacement of light bulbs, filters, or any consumable parts.
- Repairs when your product is used in other than normal and usual household use (including, without limitation, commercial use, in offices or recreational facilities) or contrary to the instructions outlined in the product owner's manual.
- Costs associated with removal of the product from your home for repairs.
- The removal and reinstallation of the product if it is installed in an inaccessible location or is not installed in accordance with published installation instructions, including the product owner's and installation manuals.
- Accessories to the product such as door bins, drawers, handles, shelves, etc. Also excluded are parts besides those that were originally included with the product.

**All costs associated with the above excluded circumstances shall be borne by the consumer.**

For complete warranty details and customer assistance, please call or visit our website:

Call 1-888-542-2623 (24 hours a day, 365 days a year) and select the appropriate option from the menu, or visit our website at <http://www.lg.ca>

**Write your warranty information below**

Product Registration Information: \_\_\_\_\_

Model: \_\_\_\_\_

Serial Number: \_\_\_\_\_

Date of Purchase: \_\_\_\_\_

# MEMO



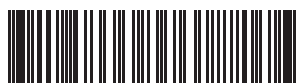
# MANUEL DU PROPRIÉTAIRE

# FOUR À

# MICRO-ONDES

**Veuillez lire attentivement le présent manuel de l'utilisateur avant de faire fonctionner l'appareil et conservez-le à portée de la main pour le consulter en tout temps.**

LMC0975\*\*



MFL69962305\_00

[www.lg.com](http://www.lg.com)

Copyright © 2017 LG Electronics Inc. Tous droits réservés.

## ***Merci d'avoir acheté un four à micro-ondes LG.***

Veillez noter le numéro de modèle et le numéro de série de cet appareil pour référence future. Nous vous suggérons également de noter les coordonnées de votre personne-ressource chez LG Electronics É.-U. inc. concernant cet appareil.

N° du modèle : \_\_\_\_\_

N° de série : \_\_\_\_\_

Détaillant : \_\_\_\_\_

\_\_\_\_\_

\_\_\_\_\_

No de téléphone du détaillant : \_\_\_\_\_

Agrafez votre reçu ici comme preuve d'achat.

Service à la clientèle  
LG Electronics É.-U. inc.  
Service Division Bldg.  
#3 201 James Record Rd.  
Huntsville, AL 35824-0126

## **PRÉCAUTIONS POUR ÉVITER UNE EXPOSITION EXCESSIVE ÉVENTUELLE AUX MICRO-ONDES**

- Ne pas tenter de faire fonctionner ce four lorsque la porte est ouverte; le fonctionnement du four lorsque la porte est ouverte peut soumettre toute personne présente à une exposition à l'énergie des micro-ondes. Il est important de ne pas contourner ou entraver le fonctionnement des dispositifs de verrouillage de sécurité.
- Ne placer aucun objet entre la face avant du four et la porte, et veiller à ne pas laisser des souillures ou résidus de produits de nettoyage s'accumuler sur les surfaces de contact.
- Ne pas faire fonctionner le four s'il est endommagé. Il est particulièrement important que la porte du four se ferme parfaitement et qu'il n'y ait aucune détérioration :
  - (1) de la porte (déformation),
  - (2) des charnières et loquets (brisés ou desserrés),
  - (3) des joints de la porte et des surfaces de contact.
- Seul un technicien qualifié est habilité à effectuer des réglages ou réparations sur cet appareil.



# TABLE DES MATIÈRES

## 4 CONSIGNES DE SÉCURITÉ IMPORTANTES

---

## 8 APERÇU DU PRODUIT

---

- 8 Emplacement du numéro de modèle
- 8 Alimentation
- 8 Avertissement sur la tension
- 8 Choix de l'emplacement du four
- 8 N'obstruez pas les événements d'aération
- 8 Instructions de mise à la terre
- 9 Interférences Radio / TV / Appareil sans fil
- 9 Caractéristiques du four
- 10 Caractéristiques du four à micro-ondes
- 10 Accessoires
- 11 Aperçu du panneau de commande

## 12 CONSEILS POUR LA CUISSON AU FOUR À MICRO-ONDES

---

- 12 Guide des accessoires de cuisson pour le four à micro-ondes
- 13 Accessoires de cuisson allant au four à micro-ondes
- 14 Conseils de cuisson au four à micro-ondes
- 15 Précautions

## 16 FONCTIONNEMENT

---

- 16 Signaux sonores
- 16 Horloge
- 16 Interrompre la cuisson
- 16 Verrouillage à l'épreuve des enfants
- 16 Démarrage rapide
- 17 Plus/Moins
- 17 Économie d'énergie
- 17 Réglage manuel des temps de cuisson
- 17 Niveaux de puissance du four à micro-ondes
- 18 Cuisson automatique
- 18 Réchauffage automatique
- 19 Tableau d'utilisation des fonctions de cuisson automatique
- 20 Tableau d'utilisation des fonctions de réchauffage automatique

- 21 Décongélation
  - 21 Tableau de décongélation
  - 22 Conseils de décongélation
  - 22 Tableau de conversion de poids
  - 22 Conseils d'utilisation

## 23 SMART DIAGNOSIS<sup>MC</sup>

---

- 23 Utilisation de la fonction Smart Diagnosis<sup>MC</sup>

## 24 ENTRETIEN

---

- 24 Entretien du four à micro-ondes

## 25 DÉPANNAGE

---

- 25 Foire aux questions sur le fonctionnement
- 26 Avant d'appeler le réparateur

## 27 GARANTIE

---

## CONSIGNES DE SÉCURITÉ IMPORTANTES

Lisez et suivez toutes les consignes avant d'utiliser ce four à micro-ondes afin d'éviter tout risque d'incendie, d'électrocution, de blessures ou de dégâts matériels. Ce guide ne couvre pas toutes les situations susceptibles de survenir. Communiquez toujours avec votre agent de service ou fabricant concernant les problèmes que vous ne comprenez pas.

Vous pouvez télécharger ce manuel du propriétaire au <http://www.lg.com>



Ceci est le symbole d'alerte de sécurité. Ce symbole vous alerte des dangers potentiels pouvant provoquer des dommages matériels et/ou des blessures corporelles graves ou la mort.

Tous les messages de sécurité seront précédés du symbole d'alerte de sécurité, ainsi que du mot « AVERTISSEMENT » ou « MISE EN GARDE ». Voici le message que ces mots véhiculent :



**AVERTISSEMENT** - Indique une situation dangereuse qui, si non évitée, pourrait entraîner la mort ou des blessures graves.



**MISE EN GARDE** - Indique une situation dangereuse qui, si non évitée, pourrait entraîner des blessures légères ou de gravité moyenne.

Les consignes de sécurité ci-dessous vous indiqueront comment utiliser votre four et éviter de l'endommager ou de vous blesser.



### AVERTISSEMENT

- Afin de réduire le risque de brûlures, de décharge électrique, d'incendie, de blessures ou d'une exposition éventuelle à l'énergie des micro-ondes lors de l'utilisation du four à micro-ondes, suivez les précautions de sécurité de base, dont les suivantes.
- **Lisez toutes les directives avant d'utiliser le four.**
- **Comme pour tout appareil, une étroite supervision est nécessaire lorsqu'il est utilisé par des enfants.**
- Lisez et suivez les **PRÉCAUTIONS POUR ÉVITER UNE EXPOSITION EXCESSIVE ÉVENTUELLE AUX MICRO-ONDES** qui se trouvent à la page 2.
- Utilisez cet appareil uniquement pour les applications prévues et décrites dans ce manuel. Avec cet appareil, **n'utilisez pas** de produits chimiques corrosifs ou susceptibles d'émettre des vapeurs, tels que du sulfure ou du chlorure. Ce type de four est spécifiquement conçu pour chauffer, cuire ou déshydrater des aliments. Il n'est pas conçu pour une utilisation industrielle ou en laboratoire.
- **Ne rangez pas** cet appareil à l'extérieur. N'utilisez pas cet appareil à proximité d'une source d'eau, par exemple près de l'évier de la cuisine, dans un sous-sol humide, à proximité d'une piscine, ou dans tout autre endroit similaire.
- **N'utilisez pas ce four à des fins commerciales.** Il est conçu pour une utilisation résidentielle seulement.
- **Pour le nettoyage des surfaces de la porte et du four qui entrent en contact lors de la fermeture de la porte, utilisez uniquement un savon ou un détergent doux et non abrasif appliqué avec une éponge ou un chiffon doux.**
- **Si votre four tombe par terre ou est endommagé**, assurez-vous de le faire soigneusement vérifier par un technicien qualifié avant de l'utiliser à nouveau.

**AVERTISSEMENT**

- **Pour réduire le risque d'incendie dans la cavité du four :**
  - **Ne faites pas trop cuire les aliments.** Surveillez attentivement l'appareil si du papier, du plastique ou tout autre matériau combustible a été placé dans la cavité pour faciliter la cuisson.
  - **N'utilisez pas la cavité du four comme espace de rangement.**  
Ne laissez pas des produits faits de papier, des ustensiles de cuisson ou des aliments dans la cavité du four lorsque celui-ci n'est pas utilisé.
  - Enlevez les ligatures métalliques des sachets de plastique ou de papier avant de les placer dans le four.
- **Dans le cas où un matériau placé à l'intérieur du four prend feu :**
  - **Laissez la porte du four fermée.**
  - **Éteignez le four.**
  - **Débranchez le cordon d'alimentation ou coupez l'alimentation électrique en enlevant le fusible ou en basculant le disjoncteur dans le panneau électrique.**
- **Pour éviter toute électrocution :**
  - **Cet appareil doit être mis à la terre.** Employez uniquement une prise de courant correctement mise à la terre. Voir les **INSTRUCTIONS DE MISE À LA TERRE** à la page 8.
  - **Ne faites pas fonctionner cet appareil si le cordon d'alimentation ou la fiche de branchement sont endommagés**, s'il ne fonctionne pas correctement, ou s'il a été endommagé ou est tombé par terre.
  - **N'immergez pas le cordon d'alimentation ou la fiche de branchement dans l'eau.**
  - **N'approchez pas le cordon d'alimentation d'une surface chauffée.**
  - **Ne laissez pas le cordon d'alimentation pendre sur le bord d'une table ou d'un plan de travail.**
- **Prenez soin de ne pas vous blesser lorsque vous ouvrez la porte.**
- **Pour éviter une mauvaise cuisson de certains aliments :**
  - **Ne chauffez jamais de biberon ou de nourriture pour bébé.** Ces aliments pourraient ne pas chauffer uniformément et causer des blessures.
  - **Ne chauffez pas des contenants à goulot étroit comme des flacons de sirop.**
  - **Ne faites pas de friture dans le four à micro-ondes.**
  - **Ne faites pas de mise en conserve maison dans le four à micro-ondes.**
  - **Certains produits comme les œufs entiers et les contenants scellés (par exemple un pot de verre fermé) peuvent exploser et ne doivent pas être chauffés dans ce four.**
- Il ne faut pas recouvrir ou obstruer les ouvertures de ventilation de l'appareil.
- Ne faites jamais fonctionner le four lorsque celui-ci est vide.
- Lors de l'installation et du choix de l'emplacement de cet appareil, veuillez respecter les instructions d'installation fournies.
- Seul un technicien qualifié peut effectuer une révision de cet appareil. Pour toute opération d'inspection, de réparation ou de réglage, communiquez avec l'établissement de service agréé le plus près.
- Les liquides comme l'eau, le café ou le thé peuvent être chauffés au-delà du point d'ébullition sans paraître en ébullition à cause de la tension superficielle du liquide. Des bulles ou une ébullition visible ne sont pas toujours présentes quand le contenant est retiré du four à micro-ondes.

**CELA PEUT PROVOQUER L'ÉBULLITION SOUDAIN DE LIQUIDES TRÈS CHAUDS LORSQUE LE CONTENANT EST AGITÉ OU QUAND UNE CUILLÈRE OU UN AUTRE USTENSILE EST PLONGÉ DANS LE LIQUIDE.**

## AVERTISSEMENT

- Pour réduire le risque de blessures :
  - Ne réchauffez pas trop le liquide.
  - Remuez le liquide avant la cuisson et à mi-cuisson.
  - N'utilisez pas de contenants de forme droite avec un col étroit.
  - Après l'avoir chauffé, laissez le contenant dans le four à micro-ondes pendant quelques instants avant de le retirer.
  - Faites très attention quand vous plongez une cuillère ou un autre ustensile dans le contenant.
- N'utilisez pas le four comme déshumidificateur (p. ex., il ne faut pas mettre de journaux mouillés, des vêtements, des jouets, des appareils électriques, des plantes, de la terre, des animaux ou toute autre matière vivante dans le four à micro-ondes). Le four doit être utilisé uniquement pour chauffer ou cuire des aliments.
  - Une mauvaise utilisation peut entraîner des risques de sécurité tels qu'un incendie, des brûlures ou la mort par électrocution.
- Cet appareil ne doit pas être utilisé par des personnes (y compris des enfants) dont les capacités physiques, sensorielles ou mentales sont réduites, ou dont l'expérience et les connaissances sont insuffisantes, sauf sous surveillance ou si des instructions d'utilisation leur ont été données par une personne responsable de leur sécurité. Les enfants doivent être surveillés pour s'assurer qu'ils ne jouent pas avec l'appareil.
  - Une utilisation incorrecte peut causer des dommages tels qu'un incendie, des décharges électriques ou des brûlures.
- Les parties accessibles peuvent devenir chaudes pendant l'utilisation. Les jeunes enfants doivent être tenus à l'écart.
  - Ils peuvent se brûler.
- Les enfants ne doivent pas être autorisés à jouer avec des accessoires ou à s'accrocher à la porte ou à toute autre partie du four.
  - Le faire peut entraîner des blessures et des dégâts matériels graves.
- Si la porte ou le joint de la porte sont endommagés, le four ne doit pas être utilisé tant qu'il n'aura pas été réparé par une personne compétente.
- L'appareil et ses parties accessibles deviennent chauds pendant l'utilisation. Prenez des précautions pour éviter de toucher les éléments chauffants. Les enfants doivent être tenus à l'écart à moins d'être supervisés en permanence.
- L'appareil devient chaud pendant l'utilisation. Prenez des précautions pour éviter de toucher les éléments chauffants à l'intérieur du four.
- N'utilisez pas de produits fabriqués à partir de papier recyclé.
  - Ils peuvent contenir des impuretés et produire des étincelles ou s'enflammer quand ils sont utilisés pour la cuisson.
- Ne rincez pas les plateaux et les grilles en les plaçant dans l'eau juste après la cuisson. Cela peut les endommager ou les casser.
  - Une utilisation incorrecte peut endommager le four.
- Le four doit être régulièrement nettoyé et tout débris alimentaire doit être enlevé.
  - Si le four n'est pas maintenu dans un bon état de propreté, sa surface pourrait se dégrader et affecter la durée de vie de l'appareil, en plus de possiblement mener à une situation dangereuse.
- La porte ou la surface extérieure peuvent devenir chaudes lorsque l'appareil est en marche.
- Un liquide chauffé dans un contenant d'une forme particulière (particulièrement un contenant cylindrique) peut devenir trop chaud. Le liquide peut faire des éclaboussures et émettre un bruit fort pendant ou après avoir été chauffé, ou lors de l'ajout d'un ingrédient (du café instantané par exemple), ce qui peut endommager le four ou entraîner des blessures.
- Quel que soit le contenant utilisé, pour un résultat optimal, remuez le liquide plusieurs fois avant de le chauffer. Veillez à toujours remuer un liquide plusieurs fois entre les phases de réchauffage.

## ÉNONCÉ DE LA COMMISSION FÉDÉRALE DES COMMUNICATIONS CONCERNANT LES INTERFÉRENCES DES FRÉQUENCES RADIO (É.-U. SEULEMENT)

Cet appareil génère et utilise de l'énergie de fréquences ISM et, s'il n'est pas installé et utilisé correctement, c'est-à-dire en stricte conformité avec les instructions du fabricant, peut provoquer des interférences avec les postes de radio et les téléviseurs. Il a été testé et déclaré conforme aux limites des appareils ISM conformément à l'article 18 des règlements de la FCC, conçus pour fournir une protection raisonnable contre de telles interférences dans une installation résidentielle.

Cependant, il n'existe aucune garantie qu'il n'y aura pas d'interférences dans une installation particulière. Si cet appareil génère des interférences avec les postes de radio et les téléviseurs, ce qui peut être vérifié en éteignant puis en rallumant l'appareil, l'utilisateur est invité à essayer de corriger ces interférences à l'aide de l'une des mesures suivantes :

- Réorientez l'antenne de réception de la radio ou du téléviseur.
- Déplacez le four à micro-ondes en fonction de l'endroit où est placé le récepteur.
- Éloignez le four à micro-ondes du récepteur.
- Branchez le four à micro-ondes sur une autre prise de façon à ce que le four à micro-ondes et le récepteur se trouvent sur différents circuits de dérivation.

Le fabricant n'est pas responsable des interférences radio ou télévisées causées par des modifications non autorisées apportées à ce four à micro-ondes. Il est de la responsabilité de l'utilisateur de corriger de telles interférences.



### AVERTISSEMENT

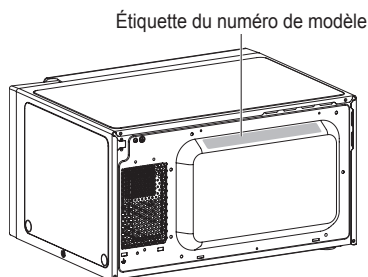
Ce produit contient des produits chimiques reconnus par l'État de Californie comme provoquant des cancers et des malformations congénitales ou d'autres problèmes de reproduction. **Se laver les mains après manipulation.**

**Lisez toutes les instructions avant d'utiliser l'appareil.  
CONSERVEZ CES CONSIGNES**

## APERÇU DU PRODUIT

### Emplacement du numéro de modèle

Lorsque vous demandez des renseignements sur l'entretien ou des pièces de rechange, le centre de services a besoin du numéro de modèle complet de votre four à micro-ondes. Le numéro de modèle est situé à l'arrière du four comme le montre l'illustration ci-dessous.



### Alimentation

Le four est conçu pour fonctionner sur une prise de courant standard 120 V/60 Hz. Assurez-vous que le circuit est d'au moins 15 A ou 20 A et que le four à micro-ondes est le seul appareil sur le circuit. Il n'est pas conçu pour un circuit de 50 Hz ou tout autre circuit qu'un circuit 120 V/60 Hz.

Aucun autre appareil électrique ou circuit d'éclairage ne doit être branché sur ce circuit. En cas de doute, consultez un électricien qualifié.

### Avertissement sur la tension

La tension disponible sur la prise de courant murale doit être identique à celle précisée sur la plaque signalétique du four située à l'arrière ou sur le côté du panneau de commande du four. L'utilisation d'une tension plus élevée est dangereuse et pourrait déclencher un incendie ou tout autre type d'accident qui endommagerait le four. Une tension inférieure ralentira la cuisson. Advenant que le four ne fonctionne pas correctement, même s'il est alimenté sous la tension correcte, débranchez puis rebranchez la fiche.

### Choix de l'emplacement du four

Vous pouvez facilement installer le four à micro-ondes dans la cuisine, une salle commune, ou partout ailleurs dans votre résidence. Il suffit de placer le four sur une surface plane comme le plan de travail d'une cuisine, ou sur un chariot spécialement conçu pour le four à micro-ondes. Ne placez pas le four au-dessus d'une cuisinière à gaz ou électrique. Il est important que l'air puisse circuler librement autour du four. Veillez à laisser un espace libre d'au moins 4 po sur le dessus, sur les côtés et à l'arrière du four, pour que l'air puisse circuler librement.

### N'obstruez pas les événements d'aération

Il faut que l'air puisse circuler librement par tous les événements d'aération pendant la cuisson. Si les événements d'aération sont obstrués pendant que le four est en marche, celui-ci peut surchauffer. Dans ce cas, un dispositif de sécurité sensible à la température déclenche automatiquement l'arrêt du four. Le four ne pourra pas fonctionner tant qu'il n'aura pas suffisamment refroidi.

## Instructions de mise à la terre

Cet appareil doit être mis à la terre. Advenant un court-circuit, la mise à la terre de l'appareil permet au courant électrique de retourner à la terre, et protège l'utilisateur contre l'électrocution. Cet appareil est doté d'un cordon d'alimentation qui comporte un conducteur de mise à la terre et une prise de mise à la terre. On doit brancher cette fiche sur une prise de courant correctement installée et mise à la terre.



### AVERTISSEMENT

- Une mauvaise mise à la terre peut entraîner un risque d'électrocution.

En cas de difficulté de compréhension des instructions de mise à la terre, ou en cas d'incertitude quant à la mise à la terre adéquate de l'appareil, consultez un électricien ou un technicien qualifié.

1. L'utilisation d'un câble de rallonge n'est pas recommandée. Si le cordon d'alimentation est trop court, demandez à un électricien ou un technicien qualifié d'installer une prise de courant à proximité de l'appareil.
2. S'il est nécessaire d'utiliser un câble de rallonge, utilisez seulement un câble à 3 fils comportant une prise de mise à la terre à 3 broches et une prise de raccordement à 3 alvéoles pouvant recevoir la fiche de branchement de l'appareil. La puissance indiquée sur le câble de rallonge doit être égale ou supérieure aux caractéristiques électriques de l'appareil.

### REMARQUE

- Un cordon d'alimentation court est fourni avec l'appareil afin de réduire les risques d'emmêlement et de trébuchement posés par un cordon d'alimentation plus long.
- Il est possible d'installer et d'utiliser un cordon d'alimentation plus long ou un câble de rallonge si les précautions appropriées sont prises.
- En cas d'utilisation d'un cordon d'alimentation long ou d'un câble de rallonge, (1) la puissance électrique indiquée du cordon d'alimentation ou du câble de rallonge doit être au moins égale aux caractéristiques électriques de l'appareil, (2) le câble de rallonge doit être un câble à 3 fils avec mise à la terre, (3) le cordon d'alimentation plus long doit être placé de manière à ne pas pendre sur le bord du plan de travail ou de la table, afin que des enfants ne puissent pas tirer dessus et que personne ne risque de trébucher en passant.

Voir les directives d'installation jointes pour connaître la façon adéquate de placer le cordon d'alimentation.



Avant de faire fonctionner l'appareil, vérifiez qu'il est correctement mis à la terre

Gardez le cordon d'alimentation électrique au sec et évitez de le coincer ou de l'écraser de quelque façon que ce soit.

## Interférences Radio / TV / Appareil sans fil

L'utilisation du four à micro-ondes à proximité de certains appareils utilisant la même fréquence, par exemple une radio, un téléviseur, un réseau local sans fil, des périphériques Bluetooth, des appareils médicaux ou des appareils sans fil, peut provoquer des interférences. Ces interférences ne sont pas une indication que le produit ou son fonctionnement sont défectueux. Le produit peut être utilisé sans danger.



### AVERTISSEMENT

- N'utilisez pas des appareils médicaux près du four à micro-ondes, puisque les interférences pourraient affecter leur bon fonctionnement.

S'il y a des interférences, vous pouvez les éliminer ou les réduire en appliquant les mesures suivantes :

- Nettoyez la porte et les surfaces d'étanchéité du four.
- Réorientez l'antenne de réception de la radio, du téléviseur, du périphérique Bluetooth ou de tout autre appareil.
- Déplacez le four à micro-ondes en fonction de l'endroit où sont placés la radio, le téléviseur, le périphérique Bluetooth ou tout autre appareil.
- Éloignez le four à micro-ondes du récepteur.
- Branchez le four à micro-ondes sur une autre prise de façon à ce que le four à micro-ondes et le récepteur se trouvent sur différents circuits de dérivation.

## Caractéristiques du four

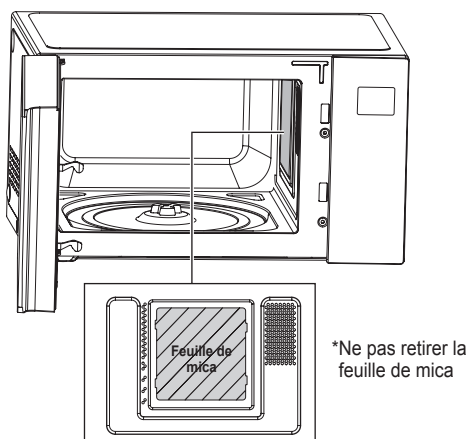
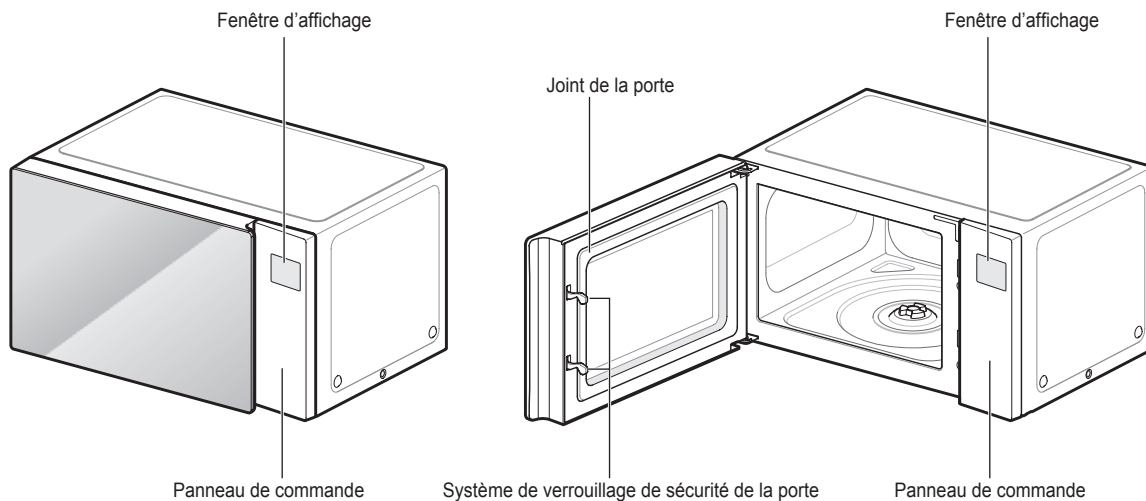
<b>Modèle</b>	LMC0975**
<b>Alimentation</b>	120 V CA, 60 Hz
<b>Consommation d'énergie</b>	1040 W
<b>Puissance du four à micro-ondes</b>	Longueur max. 1000 W*
<b>Fréquence</b>	2450 MHz
<b>Courant nominal</b>	8,7 A
<b>Dimensions générales (L x H x P)</b>	18 <sup>3</sup> / <sub>4</sub> " x 10 <sup>11</sup> / <sub>16</sub> " x 14 <sup>1</sup> / <sub>2</sub> " (47,6 cm x 27,2 cm x 36,9 cm)
<b>Dimensions de la cavité du four (L x H x P)</b>	12 <sup>11</sup> / <sub>16</sub> " x 8 <sup>15</sup> / <sub>16</sub> " x 13 <sup>3</sup> / <sub>16</sub> " (32,2 cm x 22,8 cm x 33,5 cm)
<b>Capacité de la cavité du four</b>	0,9 pi <sup>3</sup> (0,02 m <sup>3</sup> )

\*NORME DE PUISSANCE IEC 60705

Les caractéristiques sont susceptibles d'être modifiées sans préavis.



## Caractéristiques du four à micro-ondes



### REMARQUE

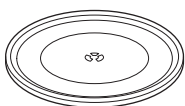
- N'enlevez pas la feuille de mica (plaque argentée) de la cavité à l'intérieur du four.
- La feuille de mica est là pour protéger les composants hyperfréquence des éclaboussures d'aliments.

### ⚠ AVERTISSEMENT

- Ne faites pas fonctionner le four alors qu'il est vide ou sans le plateau en verre. Il est préférable de laisser un verre d'eau dans le four lorsqu'il n'est pas utilisé. L'eau va absorber en toute sécurité l'énergie micro-ondes si le four est démarré accidentellement.

## Accessoires

Le plateau rotatif tourne dans les deux sens pour aider les aliments à cuire de façon plus égale. Ne faites pas fonctionner le four à micro-ondes si le plateau en verre n'est pas en place.



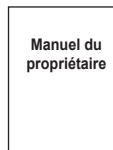
Plateau en verre



Anneau rotatif



Arbre



Manuel du propriétaire

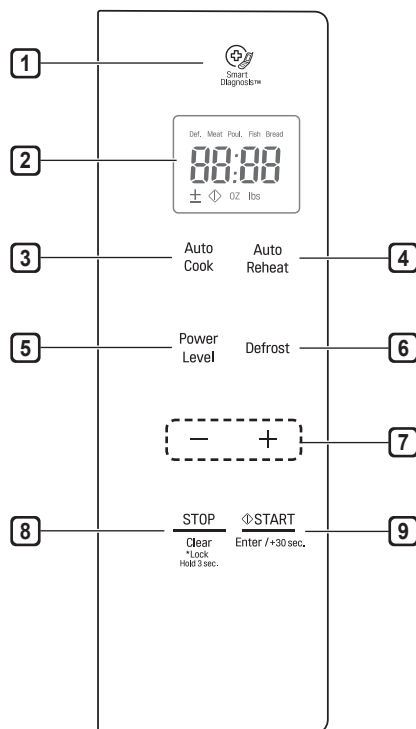
### REMARQUE

Ce four est conçu pour une utilisation résidentielle seulement. Un usage commercial n'est pas recommandé.



## Aperçu du panneau de commande

Utilisez le panneau de commande pour sélectionner la fonction de cuisson désirée rapidement et facilement. Il vous suffit d'appuyer sur une touche de commande pour sélectionner la fonction désirée. **Pour plus d'informations sur ces fonctions, reportez-vous à la section FONCTIONNEMENT.**



### 1 Diagnostic intelligent

Tenez l'embouchure d'un téléphone devant ce symbole lorsque demandé par le personnel du centre de service pour aider à diagnostiquer les éventuelles défectuosités du four lorsque vous appelez un réparateur.

### 2 Affichage

L'affichage comprend une horloge et indique l'heure, les paramètres du temps de cuisson et les fonctions de cuisson sélectionnées.

### 3 Auto Cook

Appuyez sur cette touche pour faire cuire le bacon, les légumes frais, les plats surgelés, les légumes congelés, le gruau, les pommes de terre et le riz.

### 4 Auto Reheat

Appuyez sur cette touche pour réchauffer des boissons, des plats mijotés, des assiettes, des tartes et des pizzas.

### 5 Power Level

Le four à micro-ondes est équipé de 10 niveaux de puissance pour un maximum de flexibilité et de contrôle sur la cuisson. La section sur les niveaux de puissance du four à micro-ondes contient des suggestions à propos du niveau de puissance utiliser lors de la préparation de divers aliments.

### 6 Defrost

Appuyez sur cette touche pour sélectionner le type d'aliment et décongeler les aliments selon leur poids.

### 7 More / Less

Réglez le temps de cuisson et le poids. Vous pouvez prolonger ou diminuer le temps de cuisson à tout moment en appuyant sur la touche. (Non offert en mode Décongélation.)

### 8 STOP / Clear

Appuyez sur cette touche pour arrêter le four ou pour tout effacer sauf l'heure.

### 9 START / Enter

Appuyez sur cette touche pour utiliser une fonction, confirmer les sélections, ou reprendre la cuisson si la porte a été ouverte ou si vous avez appuyé sur le bouton STOP une seule fois.

Le fait d'appuyer sur START sans d'abord définir un temps de cuisson va activer la fonction Démarrage rapide. Chaque fois que vous appuyez sur le bouton START, vous ajoutez 30 secondes au temps de cuisson.

# CONSEILS POUR LA CUISSON AU FOUR À MICRO-ONDES

## Guide des accessoires de cuisson pour le four à micro-ondes

Utiliser	Ne pas utiliser
<p><b>VERRE ALLANT AU FOUR</b> (traité pour être utilisé à très haute température): Plats, moules à pain, moules à tarte, moules à gâteaux, tasses à mesurer, cocottes et bols sans garnitures métalliques.</p> <p><b>PORCELAINE :</b> Bols, tasses, assiettes et plateaux sans garnitures métalliques.</p> <p><b>PLASTIQUE :</b> Pellicule de plastique (utilisée comme couvercle): placez la pellicule de plastique sur le plat sans la serrer et appuyez sur les côtés.  Laissez l'un des coins de la pellicule de plastique légèrement relevé pour permettre au surplus de vapeur de s'échapper. Assurez-vous que le plat soit suffisamment profond pour que la pellicule de plastique ne touche pas aux aliments. Pendant que les aliments chauffent, la pellicule de plastique peut fondre aux endroits où elle touche les aliments.  Employez des plats de plastique, des tasses, des contenants pour congélateur semi-rigides et des sacs de plastique seulement pour des cuissons de courte durée. <b>Utilisez-les avec prudence, car le plastique peut se ramollir sous l'effet de la chaleur émise par les aliments.</b></p> <p><b>PAPIER :</b> Papier essuie-tout, papier ciré, serviettes de papier et assiettes de carton sans garnitures ou ornements métalliques. Lisez l'étiquette du fabricant pour déterminer leur utilisation dans le four à micro-ondes.</p> <p><b>Remarque :</b> N'utilisez pas de papier recyclé dans le four à micro-ondes. Il contient parfois des impuretés pouvant produire des arcs électriques et des étincelles.</p>	<p><b>CONTENANTS MÉTALLIQUES :</b> Le métal protège les aliments contre l'énergie micro-ondes, ce qui peut entraîner une cuisson inégale. Évitez de mettre dans le four des brochettes métalliques, des thermomètres et des plateaux d'aluminium. Les contenants métalliques peuvent provoquer des arcs électriques, ce qui peut endommager le four à micro-ondes.</p> <p><b>DÉCORATION MÉTALLIQUE :</b> Vaisselle, plats mijotés ou tout autre objet ayant des garnitures ou des bandes métalliques. La garniture métallique empêche une cuisson normale et pourrait endommager le four.</p> <p><b>PAPIER ALUMINIUM :</b> Évitez les grandes feuilles de papier aluminium, car elles nuisent à la cuisson et peuvent produire des arcs électriques. Utilisez de petits morceaux de papier aluminium pour protéger les cuisses et les ailes des volailles. Veillez à ce que TOUT le papier aluminium soit à au moins 1 po des parois et de la porte du four.</p> <p><b>BOIS :</b> Les bols et les planches de bois vont se dessécher et peuvent craquer ou se fissurer lorsque vous les utilisez dans le four à micro-ondes. La même chose se produit avec les paniers.</p> <p><b>CONTENANTS HERMÉTIQUEMENT FERMÉS :</b> Assurez-vous de laisser des ouvertures pour que la vapeur puisse s'échapper des contenants fermés. Faites un trou dans les sachets de plastique de légumes ou de tout autre aliment avant la cuisson. Les sachets hermétiquement fermés peuvent exploser.</p> <p><b>PAPIER BRUN :</b> Évitez d'utiliser des sacs de papier brun. Ils absorbent trop de chaleur et peuvent prendre feu.</p> <p><b>USTENSILES DÉFECTUEUX OU ÉBRÉCHÉS :</b> Tout contenant qui est fissuré, défectueux ou ébréché peut être endommagé dans le four.</p> <p><b>LIGATURES MÉTALLIQUES :</b> Enlevez les ligatures métalliques des sacs de plastique ou de papier. Ils deviennent chauds et pourraient déclencher un incendie.</p>

## Accessoires de cuisson allant au four à micro-ondes

### N'utilisez jamais d'accessoires de cuisson métalliques ou dotés de garnitures métalliques lorsque vous utilisez la fonction micro-ondes

Les micro-ondes ne peuvent pas traverser le métal. Ils rebondissent sur tout objet métallique dans le four et peuvent produire des arcs électriques, un phénomène alarmant qui ressemble à un éclair. La plupart des accessoires de cuisson non métalliques résistant à la chaleur peuvent être utilisés en toute sécurité dans votre four. Cependant, certains d'entre eux peuvent contenir des matériaux qui les rendent inutilisables comme accessoires de cuisson allant au four à micro-ondes. Si vous avez des doutes quant à un contenant particulier, il y a un moyen simple de savoir s'il peut être utilisé dans le four à micro-ondes.

### Tests à effectuer avant l'utilisation d'accessoires de cuisson

Placez le contenant en question à côté d'un bol en verre rempli d'eau à l'intérieur du four. Passez-le au micro-ondes à puissance élevée pendant 1 minute. Si l'eau chauffe, mais que le contenant reste froid au toucher, le contenant peut être utilisé au four à micro-ondes.

Cependant, si l'eau ne change pas de température, mais que le contenant devient chaud, les micro-ondes sont absorbées par le contenant et il n'est pas sécuritaire de l'utiliser dans le four à micro-ondes. Voir la liste ci-dessous pour des conseils sur l'utilisation d'objets courant lors de la cuisson au four à micro-ondes.

### Vaisselle

De nombreux plats peuvent aller au four à micro-ondes. En cas de doute, consultez la documentation du fabricant ou effectuez le test du micro-ondes. Ne placez pas de plats avec des motifs peints au four, car la peinture peut contenir du métal qui pourrait provoquer un arc électrique.

### Verrerie

La verrerie qui résiste à la chaleur peut aller au four à micro-ondes. Cela comprend toutes les marques d'accessoires de cuisson en verre trempé.

N'utilisez pas de la verrerie délicate, tels que des gobelets ou des verres à vin, car elle risque d'éclater si elle est chauffée.

### Contenants de stockage de plastique

Utilisez-les seulement pour réchauffer rapidement des aliments. Ne les utilisez pas pour cuire des aliments pendant de longues périodes ou à de hauts niveaux de puissance, puisque les aliments chauds vont éventuellement déformer ou faire fondre le plastique.

### Papier

Les assiettes et les contenants en carton sont pratiques et sécuritaires à utiliser dans le four à micro-ondes, à condition que le temps de cuisson soit court et que les aliments à cuire soient faibles en gras et en humidité. Le papier essuie-tout est également très utile pour emballer des aliments et recouvrir des plaques de cuisson dans lesquelles des aliments gras tels que le bacon sont cuits. En général, évitez le carton de couleur puisque la couleur peut s'abîmer. Certains produits de papier recyclé peuvent contenir des impuretés qui pourraient produire des arcs électriques ou déclencher un incendie lorsqu'ils sont utilisés dans le four à micro-ondes.

### Sacs de cuisson de plastique

S'ils sont spécialement conçus pour la cuisson, les sacs de cuisson peuvent être utilisés au four à micro-ondes. N'oubliez pas de perforer le sac pour que la vapeur puisse s'échapper. N'utilisez jamais de sacs de plastique ordinaires pour la cuisson au four à micro-ondes, puisqu'ils vont fondre et se déchirer.

### Accessoire de cuisson de plastique pour four à micro-ondes

Il existe une grande variété de formes et de tailles d'accessoires de cuisson pour four à micro-ondes. Vous pourriez être en mesure d'utiliser de l'équipement que vous possédez déjà plutôt que d'investir dans un nouvel équipement de cuisine.

### Poterie, grès et céramique

Un grand nombre de contenants faits de ces matériaux peuvent aller au four à micro-ondes, mais il vaut mieux les tester avant de les utiliser.



### MISE EN GARDE

- Certains objets ayant une teneur élevée en plomb ou en fer ne sont pas adaptés pour la cuisson au four à micro-ondes.
- Il faut vérifier les accessoires de cuisson afin de s'assurer qu'ils sont adaptés à une utilisation au four à micro-ondes.

### Conseils de cuisson au four à micro-ondes

#### Garder les choses à l'œil

Surveillez toujours vos aliments pendant la cuisson. La lumière à l'intérieur du four à micro-ondes s'allume automatiquement lorsque le four est en marche pour vous permettre de suivre le processus de cuisson. Les directives données dans des recettes pour surélever, remuer, etc. doivent être considérées comme les mesures minimales recommandées. Si les aliments semblent être cuits inégalement, il suffit de faire les ajustements que vous jugez nécessaires pour corriger la situation.

#### Les facteurs qui affectent les temps de cuisson au four à micro-ondes

De nombreux facteurs influent sur le temps de cuisson. La température des ingrédients utilisés dans une recette fait une grande différence dans le temps de cuisson. Par exemple, un gâteau fait avec du beurre, du lait et des œufs très froids prendra beaucoup plus de temps à cuire qu'un gâteau fait avec des ingrédients qui sont à la température ambiante. Quelques recettes, surtout les recettes de pain, de gâteaux et de flans, nécessitent que ces aliments soient retirés du four alors qu'ils ne sont pas encore tout à fait cuits.

Ce n'est pas une erreur. Quand on les laisse reposer, généralement recouverts, ces aliments continueront à cuire à l'extérieur du four, car la chaleur emprisonnée dans leurs portions extérieures se dirigera progressivement vers l'intérieur. Si les aliments sont laissés au four jusqu'à ce qu'ils soient complètement cuits, les portions extérieures deviendront trop cuites ou vont même brûler. La pratique vous permettra d'améliorer votre capacité à estimer les temps de cuisson et de repos de divers aliments.

#### Densité des aliments

Les aliments légers et poreux comme les gâteaux et le pain cuisent plus rapidement que les aliments lourds et denses comme les rôtis et les plats mijotés. Lorsque vous faites cuire des aliments poreux au four à micro-ondes, faites attention à ce que les bords extérieurs ne deviennent pas secs et friables.

#### Hauteur des aliments

La portion supérieure des aliments de haute taille, en particulier les rôtis, cuira plus rapidement que la portion inférieure.

Par conséquent, il est recommandé de retourner les aliments de haute taille plusieurs fois pendant la cuisson.

#### Teneur en humidité des aliments

Puisque la chaleur générée par les micro-ondes provoque l'évaporation de l'humidité, les aliments relativement secs tels que les rôtis et certains légumes doivent être arrosés avec de l'eau avant la cuisson ou recouverts pour retenir l'humidité.

#### Os et teneur en matières grasses des aliments

Les os conduisent la chaleur et la graisse cuit plus rapidement que la viande. Des précautions doivent être prises lors de la cuisson de coupes de viande osseuses ou grasses afin d'éviter que la viande soit trop cuite ou cuite de façon inégale.

#### Quantité d'aliments

Le nombre de micro-ondes dans votre four reste constant quelle que soit la quantité d'aliments qui sont cuits. Par conséquent, plus vous placez d'aliments dans le four, plus le temps de cuisson requis est long. N'oubliez pas de diminuer les temps de cuisson d'au moins un tiers lorsque vous coupez une recette de moitié.

#### Forme des aliments

Les micro-ondes pénètrent seulement d'environ 3/4 de pouce (2 cm) dans les aliments. La portion intérieure des aliments épais est cuite alors que la chaleur générée à l'extérieur se déplace vers l'intérieur. Il n'y a que le bord extérieur des aliments qui est cuit par les micro-ondes; le reste est cuit par conduction. La pire forme possible pour un aliment mis au four à micro-ondes est un carré épais.

Les coins vont brûler bien avant que le centre commence à chauffer. Les aliments minces et ronds et les aliments en forme d'anneau sont parfaits pour la cuisson au four à micro-ondes.

#### Couvercle

Un couvercle emprisonne la chaleur et la vapeur ce qui permet de cuire les aliments plus rapidement. Utilisez un couvercle ou une pellicule rétractable allant au four à micro-ondes tout en laissant un coin replié pour éviter le fendillement.

#### Recouvrir avec du papier parchemin

Le papier parchemin (pas le papier ciré) peut aller sans danger au four à micro-ondes. Puisqu'il recouvre l'aliment de façon plus lâche qu'un couvercle ou une pellicule autocollante, le papier ingraissable permet à l'aliment de sécher légèrement.

#### Remuer

Remuer les aliments est l'une des techniques les plus importantes pour la cuisson au four à micro-ondes. En cuisson traditionnelle, les aliments sont remués dans le seul but de les mélanger. Cependant, les aliments passés au four à micro-ondes sont remués afin de répandre et de répartir la chaleur. Il faut toujours remuer de l'extérieur vers l'intérieur puisque l'extérieur des aliments se réchauffe en premier.

#### Placer des portions plus épaisses vers l'extérieur

Placez les coupes plus épaisses ou les portions de viande, de volaille et de poisson vers le bord extérieur du plat de cuisson pour qu'elles absorbent la majorité de l'énergie des micro-ondes et que les aliments cuisent plus uniformément.

## Protection

Des bandes de papier aluminium (qui bloquent les micro-ondes) peuvent être placées sur les coins ou les bords des aliments carrés et rectangulaires pour empêcher ces portions de trop cuire. N'utilisez jamais trop d'aluminium et assurez-vous que l'aluminium est bien fixé sur le plat, sinon des arcs électriques pourraient apparaître dans le four, en particulier si l'aluminium passe trop près des parois du four pendant la rotation.

## Surélévation

Les aliments épais ou denses peuvent être surélevés afin que les micro-ondes soient absorbées par le dessous et le centre des aliments.

## Perforation

Les aliments enfermés dans une coquille, de la peau ou une membrane sont susceptibles d'éclater dans le four à moins d'être perforés avant la cuisson. Ces aliments comprennent le blanc et le jaune d'œufs, les palourdes, les huîtres, les pommes de terre et les autres fruits et légumes entiers.

## Vérifier la cuisson

Les micro-ondes cuisent les aliments rapidement, alors vérifiez fréquemment la cuisson des aliments. Certains aliments sont laissés dans le four à micro-ondes jusqu'à la cuisson complète, mais la plupart des aliments, y compris les viandes et les volailles, doivent être retirés du four alors qu'ils ne sont pas encore tout à fait cuits afin que la cuisson se termine au cours du temps de repos. La température interne des aliments se situera entre 5 °F (3 °C) et 15 °F (8 °C) pendant le temps de repos.

## Temps de repos

Les aliments sont souvent laissés au repos de 3 à 10 minutes après avoir été retirés du four. Habituellement, les aliments sont recouverts pendant le temps de repos afin de conserver la chaleur, sauf si leur texture est sèche habituellement. Ce repos permet aux aliments de terminer leur cuisson et aide également les saveurs à se mélanger et à se développer.

## Précautions

- Placez la surface avant de la porte à trois pouces ou plus du bord du plan de travail pour éviter tout risque de chute du four à micro-ondes pendant son utilisation.
- Pour programmer le four, assurez-vous que vous appuyez au centre de chaque touche puisque les espaces entre les touches n'activeront pas le four. Un signal sonore sera émis chaque fois qu'une touche est utilisée correctement. N'appuyez pas sur plusieurs touches à la fois.
- Ne frappez pas le panneau de contrôle avec de l'argenterie, des ustensiles, etc. Des bris pourraient survenir.
- Faites preuve de prudence lorsque vous retirez des accessoires de cuisson du four. Certains plats absorbent la chaleur des aliments cuits et peuvent être chauds. Voir le Guide des accessoires de cuisson plus haut dans ce chapitre pour plus de renseignements.
- Ne rincez pas les contenants en les plaçant dans l'eau immédiatement après la cuisson. Cela peut les endommager. En outre, laissez toujours refroidir le plateau rotatif avant de le retirer du four.
- Ne faites jamais fonctionner le four lorsqu'il est vide. Des aliments ou de l'eau doivent toujours se trouver dans le four pendant qu'il est en marche afin d'absorber l'énergie des micro-ondes.
- N'utilisez pas le four pour sécher des journaux ou des vêtements. Ils peuvent prendre feu.
- Utilisez des thermomètres qui ont été approuvés pour la cuisson au four à micro-ondes.
- Le plateau rotatif doit toujours être en place lorsque vous utilisez le four.
- N'utilisez pas votre four à micro-ondes pour faire cuire des œufs dans leur coquille. La pression peut croître à l'intérieur de la coquille, ce qui la ferait éclater.
- Il y a plusieurs précautions à prendre lorsque l'on prépare du maïs soufflé dans le four à micro-ondes :
  - Ne préparez pas de maïs soufflé sauf dans un contenant allant au four à micro-ondes ou dans des sachets commerciaux conçus pour une utilisation dans les fours à micro-ondes.
  - N'essayez jamais de préparer du maïs soufflé dans un sac de papier qui n'est pas fait pour aller au four à micro-ondes.
  - La cuisson prolongée peut générer de la fumée et du feu.
  - Ne refaites pas cuire les grains de maïs qui n'ont pas éclaté.
  - Ne réutilisez pas les sacs de maïs soufflé
  - Restez attentif pendant que les grains de maïs éclatent. Arrêtez le four lorsque les grains de maïs éclatent toutes les 2 ou 3 secondes seulement.
  - Ne laissez pas le four à micro-ondes sans surveillance lorsque vous préparez votre maïs soufflé.
  - Suivez les directives qui se trouvent sur le sac.

## FONCTIONNEMENT

Cette section vous présente les éléments que vous devez connaître pour faire fonctionner le four à micro-ondes. Veuillez lire ces renseignements avant d'utiliser le four.



### MISE EN GARDE

Pour éviter les risques de blessures ou les dégâts matériels, n'utilisez pas de grès ni d'accessoires de cuisson métalliques ou dotés de garnitures métalliques dans le four.

## Signaux sonores

Des signaux sonores sont à votre disposition pour vous guider pendant la programmation et l'utilisation du four :

- Un signal sonore sera entendu chaque fois que vous appuyez sur une touche.
- Une mélodie signale la fin du compte à rebours de la minuterie.
- Une mélodie signale la fin d'un cycle de cuisson.

## Horloge

Lorsque le four est branché pour la première fois ou lorsque l'alimentation reprend après une coupure de courant, l'horloge revient par défaut au mode horloge 12 heures et 12H apparaît sur l'affichage. Vous pouvez régler l'heure ou passer au mode horloge 24H.

### Régler le mode horloge et l'heure

- 1 Appuyez sur **+** à plusieurs reprises pour basculer entre le mode horloge 24 heures (24H) et 12 heures (12H).
- 2 Appuyez sur **START** pour régler le mode horloge.
- 3 Pour régler l'heure, appuyez sur **+** ou **-** pour sélectionner l'heure désirée.
- 4 Appuyez sur **START** pour régler l'heure.
- 5 Appuyez sur **+** ou **-** pour régler les minutes.
- 6 Appuyez sur **START** pour mettre fin au réglage de l'heure.

### REMARQUE

- Appuyez et maintenez enfoncées les touches **+** ou **-** pour faire monter ou descendre rapidement les chiffres.
- Pour réinitialiser le mode horloge, vous devez débrancher et rebrancher le cordon d'alimentation.
- Si vous ne voulez pas que l'heure apparaisse sur l'affichage, appuyez sur la touche **STOP/Clear** après avoir branché le four.



### MISE EN GARDE

Pour éviter les risques de blessures ou les dégâts matériels, n'utilisez pas le four lorsqu'il est vide.

## Interrompre la cuisson

Vous pouvez arrêter le four pendant un cycle en ouvrant la porte. Le four s'arrête de chauffer et le ventilateur s'arrête, mais la lumière reste allumée. Pour redémarrer la cuisson, fermez la porte et appuyez sur **START**.

Pour arrêter la cuisson et effacer le temps de cuisson restant, ouvrez la porte et appuyez sur **STOP/Clear**.

## Verrouillage à l'épreuve des enfants

Utilisez cette option de sécurité pour verrouiller le panneau de contrôle et empêcher le four de démarrer lors de son nettoyage ou pour empêcher des enfants de l'utiliser sans supervision.

### Verrouillage du four

- 1 Appuyez et maintenez enfoncée la touche **STOP/Clear** jusqu'à ce que **Loc** apparaisse sur l'affichage et que vous entendiez une mélodie. (environ 3 secondes)

### Déverrouillage du four

- 1 Appuyez et maintenez enfoncée la touche **STOP/Clear** jusqu'à ce que **Loc** disparaisse de l'affichage et que vous entendiez une mélodie. (environ 3 secondes)

### REMARQUE

- Si elle a été réglée, l'heure réapparaît sur l'affichage après 1 seconde.
- Si le four est verrouillé, **Loc** apparaît sur l'affichage lorsqu'on appuie sur une touche.
- Déverrouillez le four pour reprendre une utilisation normale.

## Démarrage rapide

La fonction de démarrage rapide vous permet de régler la cuisson à haute puissance par intervalles de 30 secondes à chaque pression de la touche **START**.

- 1 Appuyez sur **STOP/Clear**.
- 2 Appuyez sur **START**.
  - Le four se met immédiatement en fonction et effectue la cuisson à haute puissance pendant 30 secondes.
  - Appuyez sur **START** à plusieurs reprises pour prolonger le temps de cuisson ; un ajout de 30 secondes se fera chaque fois que vous appuyez sur la touche.
  - Le temps de cuisson peut être réglé jusqu'à 99 min, 59 sec.



## Plus/Moins

En utilisant la touche « + » ou « - », les réglages de cuisson manuels peuvent être modifiés pour cuire les aliments plus ou moins longtemps. Chaque fois que vous appuyez sur « + », 10 secondes s'ajoutent à la durée de cuisson. Chaque fois que vous appuyez sur « - », 10 secondes sont retirées de la durée de cuisson. Le temps de cuisson maximum en mode de cuisson manuelle est de 99 min, 59 sec.

### Réglage du temps de cuisson

- 1 Appuyez sur **STOP/Clear**.
- 2 Appuyez sur **START**.
- 3 Appuyez sur les touches « + » ou « - » pour augmenter ou diminuer la durée restante de 10 secondes.

## Économie d'énergie

À moins d'avoir activé la fonction d'affichage de l'heure, **l'écran s'éteint pour économiser de l'énergie lorsque le four n'est pas utilisé.**

## Réglage manuel des temps de cuisson

Lorsque vous n'utilisez pas les fonctions de cuisson automatique, le temps et la puissance de cuisson doivent être réglés manuellement.

- 1 Appuyez sur **STOP/Clear**.
- 2 Appuyez sur les touches « + » ou « - » jusqu'à ce que la durée de cuisson souhaitée s'affiche à l'écran.
- 3 Appuyez une fois sur la touche **Power Level ; P-HI** s'affiche à l'écran.
  - P-HI indique que le niveau de puissance est à 100 %.
- 4 Appuyez sur « - » pour diminuer le niveau de puissance par tranches de 10 %, au besoin.
- 5 Appuyez sur **START**.
  - Un avertisseur sonore retentit lorsque la cuisson est terminée, et End (fin) s'affiche à l'écran. End reste affiché et l'avertisseur sonore est réactivé toutes les minutes jusqu'à ce que la porte soit ouverte ou qu'une quelconque touche soit enfoncée.

### REMARQUE

- Si aucun niveau de puissance de cuisson n'est sélectionné, le four est réglé par défaut à la puissance maximum.

## Niveaux de puissance du four à micro-ondes

Ce four à micro-ondes compte 10 niveaux de puissance pour vous offrir une flexibilité maximale et un meilleur contrôle de la cuisson. Consultez le tableau pour connaître les niveaux de puissance suggérés pour divers aliments.

### Tableau des niveaux de puissance du four à micro-ondes

Niveau de puissance	Utiliser
P-HI (100 %)	<ul style="list-style-type: none"> <li>• Faire bouillir de l'eau.</li> <li>• Cuire du bœuf haché.</li> <li>• Préparer des bonbons ou des confiseries.</li> <li>• Cuire des morceaux de volaille, du poisson et des légumes.</li> <li>• Cuire des morceaux de viande très tendres.</li> </ul>
P-90	<ul style="list-style-type: none"> <li>• Réchauffer le riz, les pâtes et les légumes.</li> </ul>
P-80	<ul style="list-style-type: none"> <li>• Réchauffer rapidement les aliments préparés.</li> <li>• Réchauffer les sandwiches.</li> </ul>
P-70	<ul style="list-style-type: none"> <li>• Cuire des œufs, du lait et des plats à base de fromage.</li> <li>• Faire fondre du chocolat</li> </ul>
P-60	<ul style="list-style-type: none"> <li>• Cuire du veau.</li> <li>• Cuire un poisson entier.</li> <li>• Cuire les puddings et les crèmes anglaises.</li> </ul>
P-50	<ul style="list-style-type: none"> <li>• Cuire le jambon, la volaille entière et l'agneau.</li> <li>• Cuire les rôtis de bœuf et les pointes de surlonge.</li> </ul>
P-40	<ul style="list-style-type: none"> <li>• Décongeler la viande, la volaille et les fruits de mer.</li> </ul>
P-30	<ul style="list-style-type: none"> <li>• Cuire des morceaux de viande moins tendres.</li> <li>• Cuire les côtelettes de porc et les rôtis.</li> </ul>
P-20	<ul style="list-style-type: none"> <li>• Éliminer le froid des fruits.</li> <li>• Ramollir le beurre.</li> </ul>
P-10	<ul style="list-style-type: none"> <li>• Garder les casseroles et les plats principaux au chaud.</li> <li>• Ramollir le beurre et le fromage à la crème.</li> </ul>

## Cuisson automatique

Le menu Auto Cook propose des réglages préprogrammés pour faire cuire automatiquement certains aliments. Sélectionnez la catégorie appropriée pour votre aliment à l'aide du tableau Cuisson automatique à la page suivante, inscrivez la quantité, puis appuyez sur START; le four s'active et effectue automatiquement la cuisson en fonction de l'aliment.

- 1 Appuyez sur **STOP/Clear**.
- 2 Appuyez une fois sur **Auto Cook**.  
**Ac-1** s'affiche à l'écran.
- 3 Appuyez sur « + » à plusieurs reprises pour sélectionner une catégorie d'aliments. Par exemple, pour cuire des légumes frais, appuyez sur la touche jusqu'à ce que **Ac-2** s'affiche à l'écran.
- 4 Appuyez sur **START**.
- 5 Appuyez sur « + » jusqu'à ce que la bonne quantité s'affiche.
- 6 Appuyez sur **START**.

## Réchauffage automatique

Le menu Réchauffage automatique propose des réglages préprogrammés pour réchauffer automatiquement certains aliments. À l'aide du tableau Réchauffage automatique présenté à la page 20, sélectionnez la catégorie appropriée pour votre aliment, inscrivez la quantité, puis appuyez sur START; le four à micro-ondes s'active et réchauffe automatiquement l'aliment.

- 1 Appuyez sur **STOP/Clear**.
- 2 Appuyez une fois sur **Auto Reheat**.  
**Ar-1** s'affiche à l'écran.
- 3 Appuyez sur « + » à plusieurs reprises pour sélectionner une catégorie d'aliments. Par exemple, pour réchauffer une tarte, appuyez sur la touche sur jusqu'à ce que **Ar-4** s'affiche à l'écran.
- 4 Appuyez sur **START**.
- 5 Appuyez sur « + » jusqu'à ce que la bonne quantité s'affiche.
- 6 Appuyez sur **START**.



## Tableau d'utilisation des fonctions de cuisson automatique

Code	Catégorie	Quantités recommandées	Directives															
Ac-1	<b>Bacon</b>	2 à 4 tranches	Pour de meilleurs résultats, placer les tranches de bacon sur une grille pour la cuisson du bacon au four à micro-ondes. (Si vous n'avez pas de grille ou de plat à cuisson pour le bacon, utilisez une assiette tapissée d'essuie-tout.)															
Ac-2	<b>Légumes frais</b>	1 à 4 tasses	Placez dans un bol ou une cocotte allant au four à micro-ondes. Ajoutez de l'eau en fonction de la quantité de légumes. <ul style="list-style-type: none"> <li>• 1 à 2 tasses : ajoutez 2 c. à table d'eau.</li> <li>• 3 à 4 tasses : ajoutez 4 c. à table d'eau.</li> </ul> Recouvrez le récipient d'une pellicule de plastique en laissant des espaces pour permettre à la vapeur de s'échapper. Laissez reposer 3 minutes après la cuisson.															
Ac-3	<b>Mets congelés</b>	10 à 40 oz	Retirez l'emballage extérieur. Percez le couvercle ou la pellicule. Si le récipient ne va pas au four à micro-ondes, transférez les aliments dans une assiette qui va au four à micro-ondes et recouvrez-la d'une pellicule plastique en laissant des espaces pour permettre à la vapeur de s'échapper. Après la cuisson, laissez reposer dans le four à micro-ondes pendant 3 minutes.															
Ac-4	<b>Légumes surgelés</b>	1 à 4 tasses	Placez dans un bol ou une cocotte allant au four à micro-ondes. <ul style="list-style-type: none"> <li>• 1 à 2 tasses : ajoutez 2 c. à table d'eau.</li> <li>• 3 à 4 tasses : ajoutez 4 c. à table d'eau.</li> </ul> Recouvrez le récipient d'une pellicule de plastique en laissant des espaces pour permettre à la vapeur de s'échapper. Laissez reposer 3 minutes après la cuisson.															
Ac-5	<b>Gruau</b>	1 à 2 portions	<table border="1"> <thead> <tr> <th></th> <th>1 portion</th> <th>2 portions</th> </tr> </thead> <tbody> <tr> <td>Gruau</td> <td>40 g (½ tasse)</td> <td>80 g (1 tasse)</td> </tr> <tr> <td>Eau ou lait</td> <td>230 g (1 tasse)</td> <td>345 g (1½ tasse)</td> </tr> <tr> <td>Sel (facultatif)</td> <td>Une pincée</td> <td>1/8 c. à thé</td> </tr> </tbody> </table> <p>Mélangez l'eau ou le lait, le sel et l'avoine dans un grand bol allant au four à micro-ondes. Recouvrez le récipient d'une pellicule de plastique en laissant des espaces pour permettre à la vapeur de s'échapper. Laissez reposer 3 minutes après la cuisson.</p>		1 portion	2 portions	Gruau	40 g (½ tasse)	80 g (1 tasse)	Eau ou lait	230 g (1 tasse)	345 g (1½ tasse)	Sel (facultatif)	Une pincée	1/8 c. à thé			
	1 portion	2 portions																
Gruau	40 g (½ tasse)	80 g (1 tasse)																
Eau ou lait	230 g (1 tasse)	345 g (1½ tasse)																
Sel (facultatif)	Une pincée	1/8 c. à thé																
Ac-6	<b>Maïs soufflé</b>	3,5 oz	Ne préparez qu'un seul emballage à la fois. Pour de meilleurs résultats, utilisez un sac de maïs frais. Placez un emballage de maïs soufflé pour micro-ondes au centre du plateau en verre.															
Ac-7	<b>Pomme de terre</b>	1 à 4 ch.	Percez la pelure avec une fourchette et placez la pomme de terre sur un essuie-tout. Ne couvrez pas. Laissez reposer 5 minutes après la cuisson.															
Ac-8	<b>Riz</b>	½ à 2 tasses	<table border="1"> <thead> <tr> <th></th> <th>½ tasse</th> <th>1 tasse</th> <th>1 ½ tasse</th> <th>2 tasses</th> </tr> </thead> <tbody> <tr> <td>Riz</td> <td>½ tasse (96 g)</td> <td>1 tasse (192 g)</td> <td>1 ½ tasse (288 g)</td> <td>2 tasses (384 g)</td> </tr> <tr> <td>Eau</td> <td>1 tasse (230 g)</td> <td>2 tasses (460 g)</td> <td>3 tasses (690 g)</td> <td>4 tasses (920 g)</td> </tr> </tbody> </table> <p>Ajoutez le riz et l'eau dans un grand bol allant au four à micro-ondes (3 pte/3 l). Recouvrez le récipient d'une pellicule de plastique en laissant des espaces pour permettre à la vapeur de s'échapper. Laissez reposer de 5 à 10 minutes après la cuisson.</p>		½ tasse	1 tasse	1 ½ tasse	2 tasses	Riz	½ tasse (96 g)	1 tasse (192 g)	1 ½ tasse (288 g)	2 tasses (384 g)	Eau	1 tasse (230 g)	2 tasses (460 g)	3 tasses (690 g)	4 tasses (920 g)
	½ tasse	1 tasse	1 ½ tasse	2 tasses														
Riz	½ tasse (96 g)	1 tasse (192 g)	1 ½ tasse (288 g)	2 tasses (384 g)														
Eau	1 tasse (230 g)	2 tasses (460 g)	3 tasses (690 g)	4 tasses (920 g)														

## Tableau d'utilisation des fonctions de réchauffage automatique

Code	Catégorie	Quantités recommandées	Directives
Ar-1	<b>Boisson</b>	1 à 2 tasses (240 ml par tasse)	Utilisez un bol ou une tasse allant au four à micro-ondes. Ne couvrez pas. Lorsque le liquide est réchauffé, mélangez-le bien. (Faites attention! La boisson sera très chaude. Les liquides chauffés dans une tasse ou un récipient cylindrique ont tendance à faire des éclaboussures lorsqu'on les déplace.)
Ar-2	<b>Plat en casserole</b>	10 à 20 oz	Placez dans un bol ou une cocotte allant au four à micro-ondes. Recouvrez le récipient d'une pellicule de plastique en laissant des espaces pour permettre à la vapeur de s'échapper. Laissez reposer 3 minutes après la cuisson..
Ar-3	<b>Repas en portion individuelle dans une assiette</b>	1	Placez la nourriture dans une assiette. Recouvrez le récipient d'une pellicule de plastique en laissant des espaces pour permettre à la vapeur de s'échapper. Laissez reposer 3 minutes après la cuisson.
Ar-4	<b>Tarte</b>	10 à 20 oz	Coupez la tarte en morceaux Placez-la dans un plat allant au four micro-ondes. Placez les aliments à cuire dans le four. Sélectionnez le menu et le poids, puis appuyez sur Start.
Ar-5	<b>Pizza</b>	1 à 3 pointes	Il s'agit d'une fonction de réchauffage pour les restes de pizza. Cette fonction n'est pas conçue pour faire cuire la pizza. Placez la pizza dans une assiette allant au four à micro-ondes recouverte d'une serviette de papier.

### REMARQUE

- N'utilisez pas de papier recyclé dans le four à micro-ondes.  
Il contient parfois des impuretés pouvant produire des arcs électriques et des étincelles.
- Si la taille du sac de maïs n'est pas indiquée, suivez les instructions du fabricant et n'utilisez pas cuisson automatique fonction.
- N'essayez pas de réchauffer ou de faire cuire des grains non éclatés.
- Ne réutilisez pas le sac. La cuisson excessive peut provoquer un incendie dans le four à micro-ondes.
- Préparez un seul sac de maïs soufflé à la fois.
- Lorsque vous utilisez cette fonctionnalité, n'utilisez pas de dispositif pour préparer le maïs soufflé au four à micro-ondes.
- Ne laissez pas le four à micro-ondes sans surveillance lorsque vous préparez du maïs soufflé.



### MISE EN GARDE

N'utilisez jamais de sac en papier brun pour faire éclater le maïs.



Lorsque vous préparez du maïs soufflé préemballé, placez le sac sur le plateau de façon à ce qu'il ne touche pas les parois du four à micro-ondes pendant qu'il tourne. Pliez les extrémités du sac vers le haut et vers le centre du sac comme illustré.

## Décongélation

Le four dispose de quatre cycles de décongélation préréglés. La fonction de décongélation est le meilleur moyen de décongeler les aliments surgelés. Le tableau de décongélation indique le cycle suggéré pour divers aliments.

La fonction de décongélation démarre en douceur pendant le cycle de décongélation pour vous rappeler de vérifier, de retourner, de séparer ou de réorganiser les aliments pour obtenir les meilleurs résultats.

- 1 **VIANDE**
- 2 **VOLAILLE**
- 3 **POISSON**
- 4 **PAIN**

### Décongélation de 1,2 lbs de viande

- 1 Appuyez sur **STOP/Clear**.
- 2 Appuyez une fois sur **Defrost**. **dEF1** s'affiche à l'écran.
- 3 Appuyez sur « + » jusqu'à ce que **1,2** lbs s'affiche à l'écran.
- 4 Appuyez sur **START**.

#### REMARQUE

- Lorsque vous appuyez sur **START**, le décompte s'affiche à l'écran. L'avertisseur sonore se fait entendre une fois, à mi-parcours du cycle de décongélation.
- Lorsque vous entendez l'avertisseur sonore, ouvrez la porte du four et retournez la nourriture. Retirez les aliments qui ont été décongelés. Remettez les aliments congelés dans le four et appuyez sur **START** pour terminer le cycle de décongélation.

## Tableau de décongélation

Catégorie	Nourriture à décongeler
<b>VIANDE</b> <b>(dEF1)</b> <b>0,1 à 6,0 lbs</b>	<p><b>Bœuf</b>                      Bœuf haché, bifteck de ronde, cubes à ragoût, filet mignon, morceau à braiser, côte de bœuf, rôti de croupe, rôti de palette, galettes de bœuf haché pour hamburger</p> <p><b>Agneau</b>                      Côtelettes, rôti</p> <p><b>Porc</b>                      Côtelettes, hot-dogs, côtes levées, longues partie des côtes, rôti, saucisse</p> <p><b>Veau</b>                      Escalopes (1 lb, ½ po d'épaisseur)</p> <p>Retournez les aliments lorsque l'avertisseur sonore se fait entendre. Après la décongélation, laissez reposer pendant 5 à 15 minutes.</p>
<b>VOLAILLE</b> <b>(dEF2)</b> <b>0,1 à 6,0 lbs</b>	<p><b>Volaille</b>                      Entier, coupé, poitrine (désossée). Rincez la cavité du poulet à l'eau et laissez reposer 60 minutes après la cuisson pour obtenir de meilleurs résultats.</p> <p><b>Poulets de Cornouailles</b>                      Dinde entière</p> <p><b>Dinde</b>                      Poitrine</p> <p>Retournez les aliments lorsque l'avertisseur sonore se fait entendre. Après la décongélation, laissez reposer pendant 60 minutes.</p>
<b>POISSON</b> <b>(dEF3)</b> <b>0,1 à 4,0 lbs</b>	<p><b>Poisson</b>                      Filets, steaks entiers</p> <p><b>Fruits de mer</b>                      Chair de crabe, queues de homard, crevettes, pétoncles</p> <p>Retournez les aliments lorsque l'avertisseur sonore se fait entendre. Après la décongélation, laissez reposer pendant 5 à 10 minutes.</p>
<b>PAIN</b> <b>(dEF4)</b> <b>0,1 à 2,0 lbs</b>	<p>Tranches de pain, petits pains, baguettes, etc. Séparez les tranches et placez-les entre deux essuie-tout ou sur une assiette plate.</p> <p>Retournez les aliments lorsque l'avertisseur sonore se fait entendre. Après la décongélation, laissez reposer pendant 1 à 2 minutes.</p>

## Conseils de décongélation

- **Lorsque vous utilisez** le cycle de décongélation automatique, le poids à saisir correspond au poids net en livres et en dixièmes de livres (le poids de l'aliment sans le contenant).
- **Avant de commencer**, retirez les ligatures métalliques qui se trouvent souvent sur les sacs d'aliments congelés et remplacez-les par de la ficelle ou des élastiques.
- **Ouvrez les contenants** par exemple les emballages de carton avant de les placer au four.
- **Découpez** ou percez toujours les sachets ou l'emballage en plastique.
- **Si les aliments sont emballés de papier d'aluminium**, retirez-le et placez les aliments dans un récipient allant au four à micro-ondes.
- **Faites** des entailles dans la peau des aliments congelés comme les saucisses.
- **Dépliez** les pochettes en plastique pour assurer la décongélation uniforme.
- **Évaluez toujours** le temps de décongélation à la baisse. Si les aliments décongelés sont encore gelés au centre, remettez-les au four à micro-ondes pour poursuivre la décongélation.
- La durée de la décongélation varie en fonction du degré de congélation des aliments.
- **La forme de l'emballage** peut modifier la vitesse de décongélation des aliments. Les emballages peu profonds décongèleront plus rapidement que les emballages profonds.
- **Lorsque les aliments commencent à dégeler**, séparez-les en morceaux; les morceaux séparés décongèlent plus facilement.
- **Utilisez de petits morceaux de papier d'aluminium** pour protéger les parties de nourriture telles que les ailes de poulet, les bouts de pattes, les queues de poisson ou les zones qui commencent à se réchauffer. Assurez-vous que le papier ne touche pas les côtés, le haut ou le bas du four. Le papier d'aluminium peut endommager le revêtement du four.
- **Pour de meilleurs résultats**, laissez les aliments reposer après la décongélation. (Pour obtenir plus de renseignements sur le temps de repos, consultez la section **Conseils de cuisson au four à micro-ondes**.)
- **Retournez** les aliments pendant la décongélation ou le temps de repos. Découpez et retirez les aliments au besoin.

## Tableau de conversion de poids

La plupart du temps, le poids des aliments est donné en livres et en onces.

Si vous utilisez des livres, le poids des aliments doit être saisi dans le mode Auto Defrost en livres et en dixièmes de livres (décimales).

Utilisez le tableau suivant au besoin pour convertir le poids des aliments en décimales.

Poids équivalent	
ONCES	POIDS EN DÉCIMALES
1.6	.10
3.2	.20
4.8	.30
6.4	.40
8.0	.50 une demi-livre
9.6	.60
11.2	.70
12.8	.80
14.4	.90
16.0	1.00 Une livre

## Conseils d'utilisation

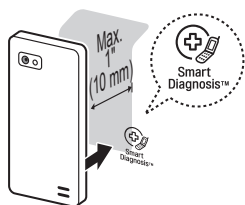
- Enlevez le poisson, les fruits de mer, la viande et la volaille de l'emballage d'origine ou de l'emballage en plastique. Sinon, l'emballage retiendra la vapeur et le jus près des aliments, et la surface extérieure des aliments pourrait cuire.
- Placez les aliments dans un récipient peu profond ou dans une de rôtissoire allant au four à micro-ondes pour recueillir la graisse de cuisson.
- Les aliments doivent être encore légèrement gelés au centre lorsqu'ils sont retirés du four.
- La durée de décongélation varie en fonction du degré de congélation des aliments.
- La forme de l'emballage peut modifier la vitesse de décongélation des aliments. Les emballages peu profonds décongèleront plus rapidement que les emballages profonds.
- Selon la forme de l'aliment, certaines zones peuvent décongeler plus rapidement que d'autres.
- Pour de meilleurs résultats, congelez la viande hachée sous forme de beignet. Pendant la décongélation, lorsque l'avertisseur sonore se fait entendre, grattez la viande pour retirer ce qui est décongelé et poursuivre la décongélation.

# SMART DIAGNOSIS<sup>MC</sup>

## Utilisation de la fonction Smart Diagnosis<sup>MC</sup>

Si vous éprouvez des problèmes avec votre four à micro-ondes, celui-ci a la capacité de transmettre des données au centre d'information à la clientèle de LG par l'intermédiaire de votre téléphone.

- 1 Veuillez communiquer avec le centre d'information à la clientèle de LG Electronics au 1-800-243-0000 (États-Unis) ou 1-888-542-2623 (Canada).
- 2 Lorsque l'agent du centre de service le demande, tenez le microphone du téléphone près du logo Smart Diagnosis<sup>MC</sup> situé sur le panneau de commande.



### REMARQUE

- N'appuyez pas sur les autres touches.

- 3 Ouvrez la porte du four. Maintenez la touche Clear enfoncée pendant 8 secondes, jusqu'à ce que le chiffre « 5 » s'affiche à l'écran. Relâchez le bouton; la transmission sonore commence à se faire entendre.
- 4 Gardez le téléphone en place jusqu'à la fin de la transmission sonore. L'écran affiche le compte à rebours.
- 5 Lorsque le décompte est terminé et que vous n'entendez plus les tonalités, reprenez votre conversation avec l'agent du centre d'appels qui sera alors en mesure de vous aider grâce à l'information transmise aux fins d'analyse.

### REMARQUE

- Pour obtenir les meilleurs résultats, évitez de bouger le téléphone pendant la transmission sonore.
- Si l'agent du centre de service n'a pas pu obtenir un enregistrement exact des données, il se peut qu'il vous demande d'essayer de nouveau.

# ENTRETIEN

## Entretien le four à micro-ondes

### Intérieur

Les éclaboussures d'aliments ou les liquides renversés adhèrent aux parois du four et s'infiltrent entre le joint et les surfaces de la porte. Même si l'intérieur du four est recouvert d'un revêtement antibactérien, il est préférable d'essuyer immédiatement les éclaboussures avec un chiffon humide. Les miettes et les éclaboussures absorbent l'énergie des micro-ondes et prolongent le temps de cuisson et peuvent même endommager le four. Utilisez un chiffon humide pour essuyer les miettes qui tombent entre la porte et le cadre. Il est important de garder cette zone propre pour que le joint demeure étanche. Nettoyez les éclaboussures grasses avec un chiffon savonneux puis rincez et séchez l'intérieur du four. N'utilisez pas de détergent agressif ou abrasif. Propriétés antibactériennes établies sur la base d'essais effectués à l'intérieur avec les bactéries E. coli et Staphylococcus, qui démontrent que le revêtement prévient à 99,99 % la croissance bactérienne sur la surface de la cavité du NeoChef.

### Extérieur

Débranchez l'appareil avant de le nettoyer pour éviter tout risque de décharge électrique. Nettoyez l'extérieur de votre four avec de l'eau et du savon. Rincez-le ensuite à l'eau claire et asséchez-le avec un chiffon doux ou un essuie-tout. Pour éviter d'endommager les pièces à l'intérieur du four, l'eau ne doit pas s'infiltrer dans les ouvertures de ventilation. Pour nettoyer le panneau de commande, ouvrez la porte pour éviter que le four se mette accidentellement en marche; essuyez le panneau avec un chiffon humide et asséchez-le immédiatement avec un chiffon sec. Appuyez sur STOP après le nettoyage.

Si de la vapeur s'accumule à l'intérieur ou à l'extérieur de la porte du four, essuyez les panneaux avec un chiffon doux. L'accumulation de vapeur ou de condensation à l'intérieur de la porte est normale si les aliments sont chauffés pendant une longue période à des niveaux de puissance plus élevés. Cela ne signifie que le four est défectueux. La condensation finira par s'évaporer. Essayez de couvrir la nourriture ou de varier les niveaux de puissance et de temps pour réduire la formation de condensation dans la porte. Cela peut également se produire lorsque le four est utilisé dans des conditions d'humidité élevée et ne signifie en aucun cas que l'appareil est défectueux.

La porte et les joints doivent être propres. Utilisez uniquement de l'eau chaude savonneuse, rincez bien et séchez complètement. **N'UTILISEZ PAS DE MATÉRIAUX ABRASIFS, TELS QUE LES POUDRES DE NETTOYAGE OU DES LAINES D'ACIER ET DES TAMPONS DE PLASTIQUE.** Les pièces métalliques seront plus faciles à entretenir si elles sont essuyées régulièrement avec un chiffon humide.

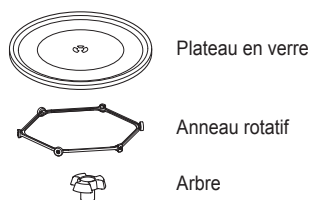
### REMARQUE

- **Les nettoyeurs abrasifs, les tampons en laine d'acier, les chiffons rugueux, les essuie-tout, etc., peuvent endommager le panneau de contrôle ainsi que les surfaces intérieures et extérieures du four.**

**Pour nettoyer le plateau en verre et l'anneau rotatif, utilisez une eau légèrement savonneuse.**

Pour les zones très sales, utilisez un nettoyeur doux et une éponge à récurer.

Le plateau en verre et l'anneau rotatif sont lavables au lave-vaisselle.



Plateau en verre

Anneau rotatif

Arbre

# DÉPANNAGE

## Foire aux questions sur le fonctionnement

### Fonctionnement

#### Pourquoi la lampe du four ne s'allume-t-elle pas pendant la cuisson?

Assurez-vous que le temps de cuisson a été réglé et que le bouton START a été enfoncé.

#### Pourquoi voit-on de la vapeur s'échapper par l'évent d'aération?

Il est normal que de la vapeur soit produite pendant la cuisson. Le four à micro-ondes a été conçu pour évacuer cette vapeur.

#### Le four à micro-ondes sera-t-il endommagé s'il fonctionne alors qu'il est vide?

Oui. Ne faites jamais fonctionner le four s'il est vide ou si le plateau en verre a été retiré.

#### Les micro-ondes traversent-elle la grille dans la fenêtre de la porte?

Non. La grille métallique réfléchit les micro-ondes vers l'intérieur du four. Les orifices ne laissent passer que la lumière; ils ne laissent pas passer les micro-ondes.

#### Pourquoi l'appareil émet-il un signal sonore lorsqu'on appuie sur une touche du panneau de commande?

Le signal sonore confirme que le réglage a été saisi.

#### Une cuisson de trop longue durée peut-elle endommager mon four à micro-ondes?

Comme avec tout autre appareil de cuisson, il est possible de trop cuire un aliment, jusqu'au point où il émet de la fumée et peut même s'enflammer, ce qui endommage l'intérieur du four. Il est toujours préférable de rester près du four pendant la cuisson.

#### Lors du branchement initial du four, il ne fonctionne pas correctement. Quel est le problème?

Lorsque vous branchez le four pour la première fois ou lorsque le courant est de retour après une panne, le micro-ordinateur qui contrôle votre four peut être temporairement dérégulé et ne pas fonctionner comme prévu. Pour réinitialiser le micro-ordinateur, débranchez le four de la prise de courant de 120 V, puis rebranchez-le.

#### Pourquoi peut-on voir une réflexion de lumière autour du châssis externe?

Cette lumière provient de la lampe qui se trouve entre la cavité et la paroi extérieure du four.

#### Quels sont les différents sons que j'entends lorsque le four à micro-ondes fonctionne?

Les cliquetis proviennent du commutateur mécanique qui active et désactive le magnétron du four à micro-ondes. Le bourdonnement et les cliquetis sont produits lors de l'activation et de la désactivation du commutateur mécanique du magnétron au moment de changer la puissance. La variation de la vitesse du ventilateur est causée par des variations momentanées de la tension d'alimentation, au début et à la fin des périodes d'alimentation du magnétron.

### Aliment

#### Est-il possible de préparer du maïs soufflé au four à micro-ondes?

Oui, si vous utilisez l'une des deux méthodes décrites ci-dessous :

- (1) En utilisant un dispositif conçu spécifiquement pour la préparation du maïs soufflé au four à micro-ondes
- (2) En utilisant en emballage de maïs soufflé commercial conçu pour le four à micro-ondes sur lequel le temps de cuisson et la puissance requise sont indiqués.

Suivez rigoureusement les instructions données par chaque fabricant de dispositifs pour la préparation de maïs soufflé et ne laissez pas le four sans surveillance pendant que vous y faites chauffer le maïs. Si le maïs n'éclate pas après le temps suggéré, arrêtez la cuisson. Une cuisson excessive peut provoquer un incendie dans le four.



### MISE EN GARDE

N'utilisez jamais de sac en papier brun pour faire éclater le maïs et n'essayez jamais de faire éclater les grains restants.

#### Pourquoi recommande-t-on de laisser reposer les aliments après la cuisson au four à micro-ondes?

Le temps de repos permet aux aliments de continuer à cuire uniformément pendant quelques minutes après le cycle de cuisson au four à micro-ondes. La durée de repos dépend de la densité des aliments.

#### Pourquoi faut-il plus de temps pour cuire des aliments conservés au réfrigérateur?

Tout comme la cuisson classique, la cuisson au four à micro-ondes dépend de la température initiale des aliments puisqu'elle affecte la durée totale de cuisson. Vous avez besoin de plus de temps pour cuire les aliments qui sortent du réfrigérateur que pour cuire les aliments à température ambiante.

## Avant d'appeler le réparateur

Vous êtes souvent en mesure de régler vous-même les problèmes de fonctionnement. Si votre four à micro-ondes ne fonctionne pas correctement, repérez le problème dans la liste ci-dessous et essayez de mettre en œuvre les solutions répertoriées pour chaque problème.

Si le four à micro-ondes ne fonctionne toujours pas, communiquez avec le centre de service LG le plus près. Les centres de service autorisés LG sont bien équipés pour répondre à vos besoins et pour procéder aux réparations.

Symptômes	Causes possibles / Solutions
<b>Le four ne se met pas en marche.</b>	<ul style="list-style-type: none"> <li>• Branchez le cordon d'alimentation.</li> <li>• Fermez la porte du four.</li> <li>• Réglez le temps de cuisson.</li> </ul>
<b>Il y a formation d'arcs ou d'étincelles.</b>	<ul style="list-style-type: none"> <li>• Les accessoires de cuisson ne vont pas au four à micro-ondes. En cas de doute, testez les accessoires de cuisson avant de les utiliser.</li> <li>• Ne faites pas fonctionner le four lorsqu'il est vide.</li> </ul>
<b>L'heure affichée n'est pas la bonne.</b>	<ul style="list-style-type: none"> <li>• Il y a possiblement eu une panne de courant. Consultez la section Horloge pour régler la bonne heure.</li> </ul>
<b>La cuisson des aliments n'est pas uniforme.</b>	<ul style="list-style-type: none"> <li>• Vérifiez que les accessoires de cuisson sont bien conçus pour aller au four à micro-ondes.</li> <li>• Ne faites pas cuire vos aliments sans le plateau en verre.</li> <li>• Retournez ou mélangez les aliments pendant la cuisson.</li> <li>• Décongelez complètement les aliments avant la cuisson.</li> <li>• Utilisez le temps de cuisson et le niveau de puissance adéquats.</li> </ul>
<b>Les aliments sont trop cuits.</b>	<ul style="list-style-type: none"> <li>• Modifiez le temps de cuisson ou le niveau de puissance.</li> </ul>
<b>Les aliments ne sont pas assez cuits.</b>	<ul style="list-style-type: none"> <li>• Vérifiez que les accessoires de cuisson sont bien conçus pour aller au four à micro-ondes.</li> <li>• Décongelez complètement les aliments avant la cuisson.</li> <li>• Modifiez le temps de cuisson ou le niveau de puissance.</li> <li>• Assurez-vous que les orifices de ventilation ne sont pas obstrués.</li> </ul>
<b>La décongélation n'est pas adéquate.</b>	<ul style="list-style-type: none"> <li>• Vérifiez que les accessoires de cuisson sont bien conçus pour aller au four à micro-ondes.</li> <li>• Modifiez le temps de décongélation ou le poids.</li> <li>• Retournez ou mélangez les aliments pendant le cycle de décongélation.</li> </ul>



## GARANTIE (CANADA)

**GARANTIE:** Si votre produit LG (le « produit ») s'avère défectueux en raison d'un défaut de matériau ou de fabrication lors d'une utilisation normale, pendant la période de garantie spécifiée ci-après, LG Canada réparera ou remplacera à sa discrétion le produit sur réception de la preuve d'achat originale fournie par le détaillant. Cette garantie n'est offerte qu'à l'acheteur original du produit chez un détaillant et ne s'applique qu'à un produit distribué au Canada par LG Canada ou par un distributeur canadien autorisé. La garantie ne s'applique qu'aux produits situés et utilisés au Canada. La réparation à domicile sous garantie sera fournie dans les 150 km d'un centre de service autorisé (CSA). Réparations en dehors du rayon de 150 km nécessiteront la livraison de l'appareil au CSA aux frais du client.

**PÉRIODE DE GARANTIE : (Remarque : Si la date d'achat originale ne peut être vérifiée, la garantie débutera soixante (60) jours suivant la date de fabrication.)**

Four-hotte / micro-ondes à convection / micro-ondes encastré / tout four à micro-ondes	Garantie prolongée sur les pièces seulement	
Un (1) an à compter de la date d'achat initiale	Cinq (5) an à compter de la date d'achat initiale	Dix (10) an à compter de la date d'achat initiale
Pièces et main-d'oeuvre (service à domicile; four-hotte et micro-ondes à convection) (pièces internes fonctionnelles seulement)	Magnétron seulement	Onduleur du magnétron seulement

- Les produits et pièces de remplacement sont garantis pour la portion restante de la période de garantie originale ou quatre-vingt-dix (90) jours, selon la période la plus longue.
- Les produits et pièces de remplacement peuvent être neufs ou remanufacturés.
- Le centre de service autorisé LG garantit les réparations pendant trente (30) jours.

LA RESPONSABILITÉ DE LG CANADA SE LIMITE À LA GARANTIE CI-DESSUS. SAUF TEL QU'IL EST EXPLICITEMENT INDIQUÉ CI-DESSUS, LG CANADA NE FOURNIT AUCUNE AUTRE GARANTIE ET REJETTE TOUTES LES AUTRES GARANTIES ET CONDITIONS EXPLICITES OU IMPLICITES À L'ÉGARD DU PRODUIT, CE QUI INCLUT, SANS TOUTEFOIS S'Y LIMITER, TOUTE GARANTIE ET CONDITION IMPLICITE DE QUALITÉ MARCHANDE OU DE CONVENANCE À UN USAGE PARTICULIER ET AUCUNE DÉCLARATION NE LIERA LG CANADA. LG CANADA N'AUTORISE PERSONNE À CRÉER NI À ASSUMER AUCUNE AUTRE PROVISION POUR GARANTIES EN RELATION AVEC CE PRODUIT. SI UNE GARANTIE OU CONDITION IMPLICITE EST REQUISE PAR LA LOI, SA PÉRIODE SE LIMITE À CELLE DE LA GARANTIE EXPLICITE SUSMENTIONNÉE. LG CANADA, LE FABRICANT ET LE DISTRIBUTEUR NE POURRONT ÊTRE TENUS RESPONSABLES D'AUCUN DOMMAGE ACCESSOIRE, CONSÉCUTIF, SPÉCIAL, DIRECT OU INDIRECT, D'AUCUNE PERTE D'ACHALANDAGE OU DE PROFITS, D'AUCUN DOMMAGE PUNITIF, EXEMPLAIRE OU AUTRE, DIRECTEMENT OU INDIRECTEMENT ATTRIBUABLE À TOUTE VIOLATION CONTRACTUELLE, FONDAMENTALE OU AUTRE, OU À UNE ACTION, UNE OMISSION, UN DÉLIT OU TOUTE AUTRE CHOSE.

La présente garantie vous confère des droits légaux spécifiques. Vous pourriez disposer d'autres droits, suivant les lois provinciales applicables. Toute clause de la présente garantie qui invalide ou modifie une condition ou garantie implicite aux termes d'une loi provinciale est dissociable si elle entre en conflit avec la loi provinciale, et ce, sans affecter les autres clauses de la garantie.

### LA PRÉSENTE GARANTIE LIMITÉE NE COUVRE PAS CE QUI SUIT :

- Un appel de service pour livrer, ramasser ou installer le produit; renseigner un client sur le fonctionnement du produit; réparer ou remplacer des fusibles ou rectifier le câblage; ou corriger une réparation ou installation non autorisée.
- La défaillance du produit durant une panne ou interruption de courant ou en raison d'un service électrique inadéquat.
- Des dommages occasionnés par la fuite ou le bris de conduites d'eau, le gel de conduites d'eau, des tuyaux de drainage restreints, une alimentation en eau inadéquate ou interrompue ou une alimentation en air inadéquate.
- Des dommages attribuables à l'utilisation du produit dans une atmosphère corrosive ou contraire aux instructions spécifiées dans le manuel d'utilisation du produit.
- Des dommages au produit causés par un accident, des animaux nuisibles ou des vermines, la foudre, le vent, un incendie, une inondation ou une catastrophe naturelle.
- Les dommages attribuables à une mauvaise utilisation, une utilisation abusive ou à une installation, une réparation ou un entretien inapproprié du produit. Les réparations inappropriées incluent l'utilisation de pièces ni approuvées ni recommandées par LG Canada.

## 28 GARANTIE

---

- La détérioration ou la défaillance du produit causée par une modification ou un changement non autorisé ou une utilisation autre que celle prévue, ou résultant d'une fuite d'eau occasionnée par une mauvaise installation.
- La détérioration ou la défaillance du produit causée par un courant ou une tension électrique incorrects, une utilisation commerciale ou industrielle, ou l'utilisation d'accessoires, de composants ou de produits nettoyants non approuvés par LG Canada.
- Les dommages causés par le transport et la manipulation, notamment les égratignures, les bosses, les écaillures et/ou tout autre dommage à la finition du produit, à moins que ces dommages ne soient attribuables à des défauts de matériaux ou de fabrication et qu'ils ne soient signalés dans un délai d'une (1) semaine de la livraison.
- Des dommages ou des pièces manquantes à tout produit exposé, déballé, soldé ou remis à neuf.
- Des produits dont le numéro de série original a été retiré, modifié ou ne peut être facilement déterminé. Le modèle et le numéro de série, ainsi que le reçu de vente original du détaillant, sont requis pour valider la garantie.
- L'augmentation des coûts et de la consommation des services publics.
- Le remplacement des ampoules électriques, des filtres et de toute pièce non durable.
- Les réparations requises si le produit ne sert pas à une utilisation domestique normale et habituelle (y compris, sans toutefois s'y limiter, une utilisation commerciale, dans un bureau ou un centre récréatif) ou est utilisé contrairement aux instructions spécifiées dans le manuel d'utilisation du produit.
- Les coûts associés à l'enlèvement du produit de votre résidence aux fins de réparation.
- L'enlèvement et la réinstallation du produit, s'il est installé à un endroit inaccessible ou contrairement aux instructions d'installation publiées, y compris dans le manuel d'utilisation et le manuel d'installation du produit.
- Les accessoires du produit, tels que les balconnets, les tiroirs, les poignées, les tablettes, etc. Sont également exclues les pièces non incluses initialement avec le produit.

**Tous les coûts associés aux circonstances exclues ci-dessus seront assumés par le consommateur.**

Pour obtenir tous les détails sur la garantie et accéder au service à la clientèle, téléphonez-nous ou visitez notre site Web :

Composez le 1-888-542-2623 (24 h sur 24, 365 jours par année) et sélectionnez l'option de menu appropriée, ou visitez notre site Web au <http://www.lg.ca>

### Écrivez vos renseignements de garantie ci-dessous

Renseignements sur l'enregistrement du produit : \_\_\_\_\_

Modèle : \_\_\_\_\_

Numéro de série : \_\_\_\_\_

Date d'achat : \_\_\_\_\_

# AIDE-MÉMOIRE



LG Customer Information Center

**1-800-243-0000** USA

**1-888-542-2623** CANADA

Register your product Online!

**[www.lg.com](http://www.lg.com)**