

# MONOLITH

## Design Guide



**LIEBHERR**









# MONOLITH

## Cooling Redefined

The next generation of home refrigeration is here. Introducing Monolith, a towering achievement in cooling technology from Liebherr. Monolith is the culmination of Liebherr's over 65 years of refrigeration innovation and expertise. An impressive 84" from top to bottom, this monumental wonder of German engineering takes food preservation to a new level. With superior energy efficiency and foodsaving advancements such as BioFresh-Plus, PowerCooling and our SmartDeviceBox, Monolith is a fusion of technical genius and practical ingenuity. Add Liebherr's exclusive InfinitySwipe electronic touch-control panel and smartphone app, whisper-quiet operation and infinite finishes and size configurations to match your décor, and you can see why Monolith isn't just state-of-the-art. It's the new definition of cool.

MF 1851 | MW 1800 | MRB 3000

# Columns Overview

| Model               | Door Hinge | Panel<br>[*optional accessories] | Features                                 |
|---------------------|------------|----------------------------------|--|
| <b>Refrigerator</b> |            |                                  |  |
| <b>MRB 2400</b>     | ←24"→      | Right, reversible                | Custom panel /<br>*Stainless steel panel |
| <b>MRB 3000</b>     | ←30"→      | Right, reversible                | Custom panel /<br>*Stainless steel panel |
| <b>MRB 3600</b>     | ←36"→      | Right, reversible                | Custom panel /<br>*Stainless steel panel |
| <b>Freezer</b>      |            |                                  |  |
| <b>MF 1851</b>      | ←18"→      | Left, reversible                 | Custom panel /<br>*Stainless steel panel |
| <b>MF 2451</b>      | ←24"→      | Left, reversible                 | Custom panel /<br>*Stainless steel panel |
| <b>MF 3051</b>      | ←30"→      | Left, reversible                 | Custom panel /<br>*Stainless steel panel |
| <b>MF 3651</b>      | ←36"→      | Left, reversible                 | Custom panel /<br>*Stainless steel panel |

| Model  | Door Hinge | Panel<br>[*optional accessories]                                | Features                                     |
|--|------------|---|--|
| <b>Wine</b>  |            |   |  |
| <b>MW 1800</b> <sup>1</sup><br><b>MW 1801</b> <sup>2</sup>   | ←18"→      | <sup>1</sup> Right, reversible<br><sup>2</sup> Left, reversible | Custom panel /<br>*Stainless steel panel     |
| <b>MW 2400</b> <sup>1</sup><br><b>MW 2401</b> <sup>2</sup>   | ←24"→      | <sup>1</sup> Right, reversible<br><sup>2</sup> Left, reversible | Custom panel /<br>*Stainless steel panel     |
| <b>Bottom Freezer</b>  |            |   |  |
| <b>MCB 3050</b> <sup>1</sup><br><b>MCB 3051</b> <sup>2</sup> | ←30"→      | <sup>1</sup> Right, reversible<br><sup>2</sup> Left, reversible | Custom panel /<br>*Stainless steel panel set |
| <b>MCB 3650</b> <sup>1</sup><br><b>MCB 3651</b> <sup>2</sup> | ←36"→      | <sup>1</sup> Right, reversible<br><sup>2</sup> Left, reversible | Custom panel /<br>*Stainless steel panel set |
| <b>French Door</b>   |            |   |  |
| <b>MCB 3652</b>  | ←36"→      | Left fix / Right fix  | Custom panel /<br>*Stainless steel panel set |

# Side-by-Side Combinations

Monolith columns offer limitless combinations for your dream kitchen. These appliances can be installed as single columns, or in combinations of two or more appliances to maximize your storage options. Some popular combinations are shown below, but many other combinations are possible.

The Side-by-Side kit on page 59 is required if there is less than 4" (102 mm) spacing between appliances. Please refer to page 65 for detailed information about the cut out niche dimensions.

Cut out width 42"



Cut out width 48"



Cut out width 72"



Cut out width 84"



Cut out width 54"



Cut out width 60"



Cut out width 96"



Cut out width 108"





# COOLING

MRB 3000

# Key Features



Infinity Swipe

**InfinitySwipe:** Monolith's intuitive electronic touch-control panel features a full-color 3.5-inch touch & swipe screen that's bright, clean, and wonderfully user-friendly. You'll barely have to lift a finger to control every function.



Smart Device

**SmartDevice:** Monolith comes with a SmartDeviceBox which can be controlled via a smartphone or tablet, activating settings and features while on the go.



Bio Fresh

**BioFresh:** BioFresh is an advanced food preservation system featuring independent climate controls, where you can create a high-humidity environment for fruits and veggies in one drawer, and a low-humidity environment for meats and cheeses in another. **FlexSystem:** This simple-to-use organization system helps sort and separate foods stored in your favorite BioFresh drawer.



Bio Fresh Plus

**BioFresh-Plus:** Liebherr's BioFresh technology guarantees the perfect climate for superior, long-lasting food freshness. In addition to two BioFresh drawers, the third Monolith refrigerator drawer can be set as BioFresh-Plus, lowering temperatures down to 28°F, ideal for storing fresh fish and seafood.



Infinity Spring

**InfinitySpring:** The seamlessly integrated, flush-mounted InfinitySpring internal water dispenser is there when you need it, and virtually invisible when you don't, and can accommodate pitchers of any size. Liebherr's filtration system eliminates harmful contaminants, resulting in crisp, clear, fresh tasting water.



Power Cooling

**PowerCooling:** Liebherr's high-performance PowerCooling system ensures that newly stored foods are quickly cooled, while maintaining an even temperature throughout the interior. Taking this system one step further, Monolith circulates cold air behind the door, meaning that items stored in the door stay just as cold as everything else inside.



Infinity Light

**InfinityLight:** Monolith's seamlessly integrated LED side-wall lighting casts a beautiful and even glow that can be adjusted according to taste, including a soft brightening effect upon opening the doors. InfinityLight doesn't just add drama and flair, it also emits less heat, preserving food quality.



**Gallon Storage:** Monolith's durable and elegant door shelves provide more cubic feet and convenience. Store gallon jugs of tea, juice and milk on the door, freeing up the refrigerator's interior shelves for everything from party platters to fresh salad bowls.

# 24" Monolith Refrigerator



←24"→

| MRB 2400   |                                   |
|--|-----------------------------------|
| Energy consumption (kWh / y)                       | 230                               |
| Estimated Yearly Energy Cost in US \$              | 28*                               |
| Sound rating dB(A)                                 | 39**                              |
| Refrigerator capacity cu.ft. (l)                   | 11.5 (325)                        |
| BioFresh / BioFresh-Plus comp. cu.ft. (l)          | 5 (142)                           |
| Number of shelves                                  | 4                                 |
| Number of door racks                               | 3                                 |
| Number of BioFresh drawers / BioFresh-Plus drawers | 2 / 1 with LED lighting           |
| Electronic control                                 | InfinitySwipe                     |
| Refrigerator temperature range °F (°C)             | +36 °F to +45 °F (+2 °C to +7 °C) |
| Defrost type                                       | automatic                         |
| Interior light                                     | InfinityLight                     |
| Internal Water Dispenser                           | no                                |
| Water filter                                       | no                                |
| Door hinges  | right, reversible***              |
| Product dimensions                                 |                                   |
| in inch (H / W / D)                                | 83 3/4" / 23 3/4" / 24"           |
| in cm (H / W / D)                                  | 212.6 / 60.2 / 61                 |
| Cut out dimensions                                 |                                   |
| in inch (H / W / D)                                | 84" / 24" / 25"                   |
| in cm (H / W / D)                                  | 213.4 / 61 / 63.5                 |
| Net weight lbs. (kg)                               | 337.3 (153)                       |
| Voltage V / Hz                                     | 115 / 60                          |

\* Estimated energy cost will depend on utility rates and use. Estimated energy cost based on a national average electricity cost of 12 cents per kWh.

\*\* Noise output - according to EN 60704-3.

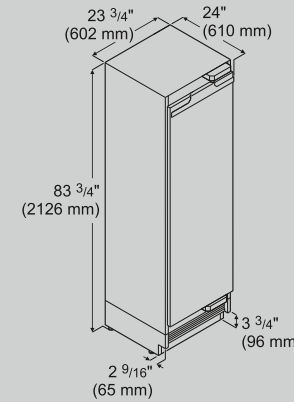
\*\*\* Please contact your Liebherr Authorized Dealer for door reversal.

## Available Accessories

- Stainless steel panel
- Monolith brushed aluminum square handle
- Monolith stainless steel round handle
- Monolith brushed aluminum soft-edge handle
- Stainless steel Toe Kick
- Reverse door kit

See pages 56-59 for available accessories for single units and Side-by-Side combinations.

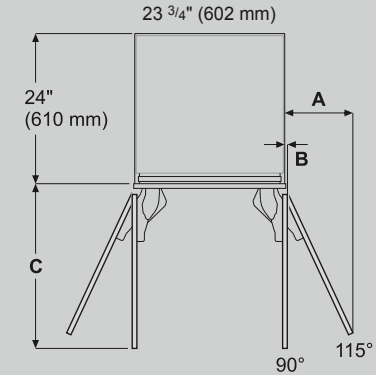
## Product Dimensions



### IMPORTANT!

Stated minimum height dimensions include when the leveled feet are fully inserted.

Height can be increased by a maximum of 3/4" (19 mm) by turning the adjustable feet. When the appliance is fitted in the recess, the appliance must be raised by turning the adjustable feet so that the appliance top has contact with the anti-tipping bracket. This results in a 4" (102 mm) Toe Kick height. Width will increase by 1/4" (6.5 mm) when mounting strips are installed.



### Inset

- A = 10 3/4" (273 mm)
- B = 1/2" (12.5 mm)
- C = 25 7/8" (658 mm)

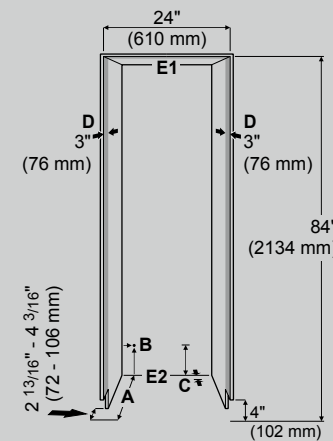
### Frameless

- A = 11" (279 mm)
- B = 1/2" (12.5 mm)
- C = 26 3/8" (670 mm)

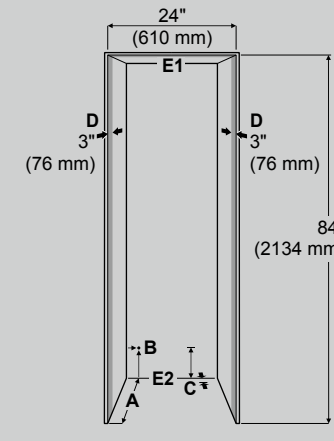
Dimension A = without mounted door handle

## Cut out Dimensions

### Continuous Toe Kick



### Individual Toe Kick



### A

Cabinet depth frameless installation style = 25" (635 mm)  
Cabinet depth inset installation style = 25" (635 mm) + panel thickness.

### B

At this point the power cord exits from the appliance rear. 3/4" (19 mm) from the left and 5" (127 mm) from the floor. Free length of the power cord is 98" (2.5 m).

### C

The appliance has a recess in this area for cable and waterline laying. 1" (25 mm) in depth and 5 1/2" (140 mm) in height over the whole width of the appliance.

### D

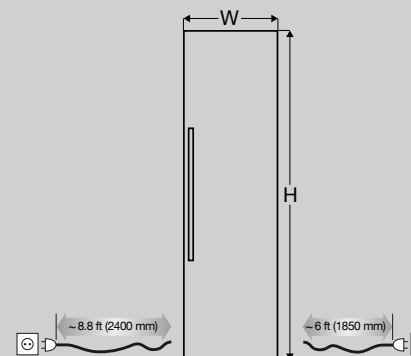
This surface is visible when the appliance door is open. Designed finish is required.

### E1, E2

Depending on the appliance, the anti-tipping bracket is positioned at the top (E1) or base (E2) of the appliance and must be secured to the wall or to the floor, please refer to the installation manual for more information.

## Door Panel Dimensions

and dimensions of free length for power



### 24" recess

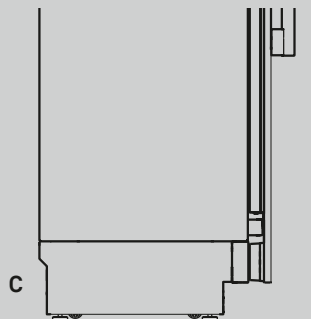
#### Inset installation style

- H = 79 7/8" (2029 mm)
- W = 23 3/4" (603 mm)

#### Frameless installation style

- H = 80" (2032 mm) Add overlapping dimension to the panel on the top.
- W = 24" (610 mm) Add overlapping dimension to the panel on both sides.

Panel thickness: Min. 5/8" (16 mm)\* / Max. 1" (25.4 mm)  
Panel and handle weight: Max. 66 lbs. (30 kg)



\* If a shaker style panel is used, which is thinner than the minum panel thickness, shorter screws than those supplied in the accessory pack must be used.

# 30" Monolith Refrigerator



| MRB 3000   |                                   |
|--|-----------------------------------|
| Energy consumption (kWh / y)                       | 245                               |
| Estimated Yearly Energy Cost in US \$              | 30*                               |
| Sound rating dB(A)                                 | 39**                              |
| Refrigerator capacity cu.ft. (l)                   | 15 (425)                          |
| BioFresh / BioFresh-Plus comp. cu.ft. (l)          | 6.5 (185)                         |
| Number of shelves                                  | 4                                 |
| Number of door racks                               | 3                                 |
| Number of BioFresh drawers / BioFresh-Plus drawers | 2 / 1 with LED lighting           |
| Electronic control                                 | InfinitySwipe                     |
| Refrigerator temperature range °F (°C)             | +36 °F to +45 °F (+2 °C to +7 °C) |
| Defrost type                                       | automatic                         |
| Interior light                                     | InfinityLight                     |
| Internal Water Dispenser                           | InfinitySpring                    |
| Water filter                                       | yes                               |
| Door hinges  | right, reversible***              |
| Product dimensions                                 |                                   |
| in inch (H / W / D)                                | 83 3/4" / 29 11/16" / 24"         |
| in cm (H / W / D)                                  | 212.6 / 75.4 / 61                 |
| Cut out dimensions                                 |                                   |
| in inch (H / W / D)                                | 84" / 30" / 25"                   |
| in cm (H / W / D)                                  | 213.4 / 76.2 / 63.5               |
| Net weight lbs. (kg)                               | 390.2 (177)                       |
| Voltage V / Hz                                     | 115/60                            |

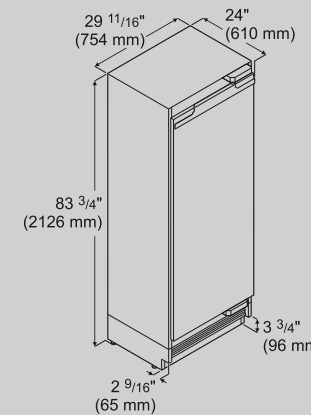
\* Estimated energy cost will depend on utility rates and use. Estimated energy cost based on a national average electricity cost of 12 cents per kWh.  
 \*\* Noise output - according to EN 60704-3.  
 \*\*\* Please contact your Liebherr Authorized Dealer for door reversal.

## Available Accessories

- Stainless steel panel
- Monolith brushed aluminum square handle
- Monolith stainless steel round handle
- Monolith brushed aluminum soft-edge handle
- Stainless steel Toe Kick
- Reverse door kit

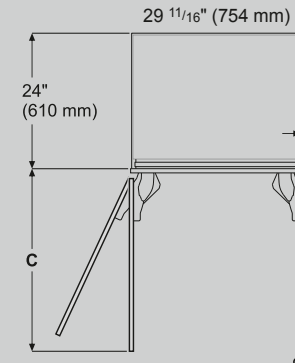
See pages 56-59 for available accessories for single units and Side-by-Side combinations.

## Product Dimensions



**IMPORTANT!**  
 Stated minimum height dimensions include when the leveled feet are fully inserted.

Height can be increased by a maximum of 3/4" (19 mm) by turning the adjustable feet. When the appliance is fitted in the recess, the appliance must be raised by turning the adjustable feet so that the appliance top has contact with the anti-tipping bracket. This results in a 4" (102 mm) Toe Kick height. Width will increase by 1/4" (6.5 mm) when mounting strips are installed.



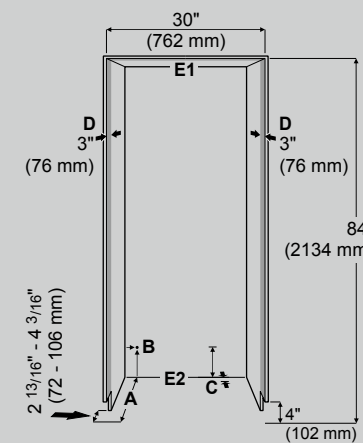
**Inset**  
 A = 13 1/4" (337 mm)  
 B = 1/2" (12.5 mm)  
 C = 31 7/8" (810 mm)

**Frameless**  
 A = 13 1/2" (343 mm)  
 B = 1/2" (12.5 mm)  
 C = 32 3/8" (822 mm)

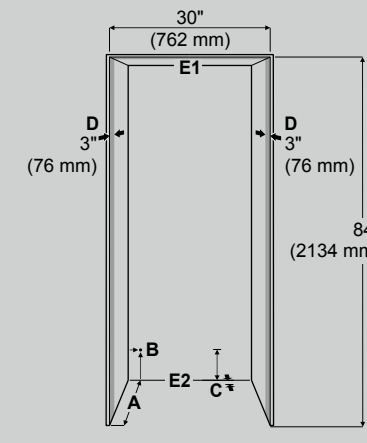
Dimension A = without mounted door handle

## Cut out Dimensions

### Continuous Toe Kick



### Individual Toe Kick



**A**  
 Cabinet depth frameless installation style = 25" (635 mm)  
 Cabinet depth inset installation style = 25" (635 mm) + panel thickness

**B**  
 At this point the power cord exits from the appliance rear. 3/4" (19 mm) from the left and 5" (127 mm) from the floor. Free length of the power cord is 98" (2.5 m).

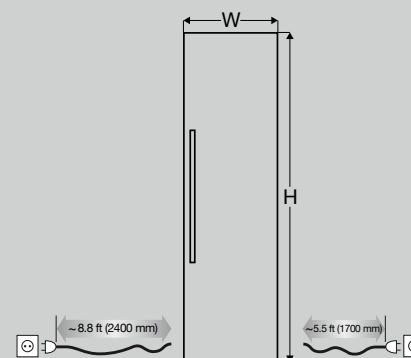
**C**  
 The appliance has a recess in this area for cable and waterline laying. 1" (25 mm) in depth and 5 1/2" (140 mm) in height over the whole width of the appliance.

**D**  
 This surface is visible when the appliance door is open. Designed finish is required.

**E1, E2**  
 Depending on the appliance, the anti-tipping bracket is positioned at the top (E1) or base (E2) of the appliance and must be secured to the wall or to the floor, please refer to the installation manual for more information.

## Door Panel Dimensions

and dimensions of free length for power

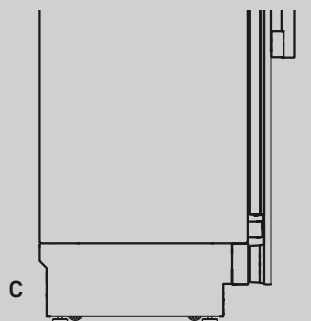


### 30" recess

**Inset installation style**  
 H = 79 7/8" (2029 mm)  
 W = 29 3/4" (756 mm)

**Frameless installation style**  
 H = 80" (2032 mm) Add overlapping dimension to the panel on the top.  
 W = 30" (762 mm) Add overlapping dimension to the panel on both sides.

Panel thickness: Min. 5/8" (16 mm)\* / Max. 1" (25.4 mm)  
 Panel and handle weight: Max. 77 lbs. (35 kg)



\* If a shaker style panel is used, which is thinner than the minum panel thickness, shorter screws than those supplied in the accessory pack must be used.

# 36" Monolith Refrigerator



←36"→

| MRB 3600   |                                   |
|--|-----------------------------------|
| Energy consumption (kWh / y)                       | 260                               |
| Estimated Yearly Energy Cost in US \$              | 31*                               |
| Sound rating dB(A)                                 | 39**                              |
| Refrigerator capacity cu.ft. (l)                   | 18.9 (535)                        |
| BioFresh / BioFresh-Plus comp. cu.ft. (l)          | 8.3 (236)                         |
| Number of shelves                                  | 4                                 |
| Number of door racks                               | 3                                 |
| Number of BioFresh drawers / BioFresh-Plus drawers | 2 / 1 with LED lighting           |
| Electronic control                                 | InfinitySwipe                     |
| Refrigerator temperature range °F (°C)             | +36 °F to +45 °F (+2 °C to +7 °C) |
| Defrost type                                       | automatic                         |
| Interior light                                     | InfinityLight                     |
| Internal Water Dispenser                           | InfinitySpring                    |
| Water filter                                       | yes                               |
| Door hinges  | right, reversible***              |
| Product dimensions                                 |                                   |
| in inch (H / W / D)                                | 83 3/4" / 35 11/16" / 24"         |
| in cm (H / W / D)                                  | 212.6 / 90.6 / 61                 |
| Cut out dimensions                                 |                                   |
| in inch (H / W / D)                                | 84" / 36" / 25"                   |
| in cm (H / W / D)                                  | 213.4 / 91.4 / 63.5               |
| Net weight lbs. (kg)                               | 434.3 (197)                       |
| Voltage V / Hz                                     | 115/60                            |

\* Estimated energy cost will depend on utility rates and use. Estimated energy cost based on a national average electricity cost of 12 cents per kWh.

\*\* Noise output - according to EN 60704-3.

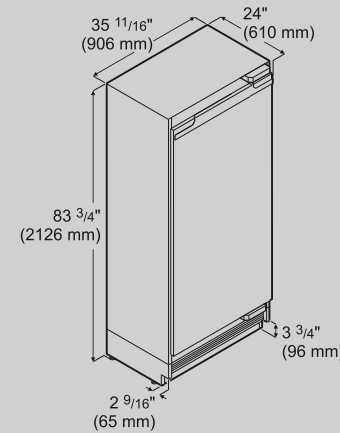
\*\*\* Please contact your Liebherr Authorized Dealer for door reversal.

## Available Accessories

- Stainless steel panel
- Monolith brushed aluminum square handle
- Monolith stainless steel round handle
- Monolith brushed aluminum soft-edge handle
- Stainless steel Toe Kick
- Reverse door kit

See pages 56-59 for available accessories for single units and Side-by-Side combinations.

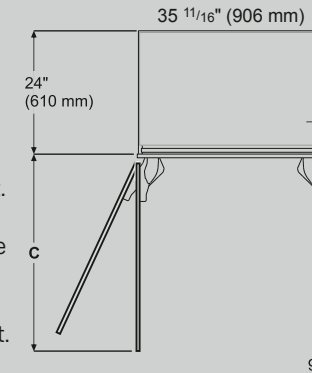
## Product Dimensions



### IMPORTANT!

Stated minimum height dimensions include when the leveled feet are fully inserted.

Height can be increased by a maximum of 3/4" (19 mm) by turning the adjustable feet. When the appliance is fitted in the recess, the appliance must be raised by turning the adjustable feet so that the appliance top has contact with the anti-tipping bracket. This results in a 4" (102 mm) Toe Kick height. Width will increase by 1/4" (6.5 mm) when mounting strips are installed.



### Inset

A = 15 3/4" (400 mm)  
B = 1/2" (12.5 mm)  
C = 37 7/8" (962 mm)

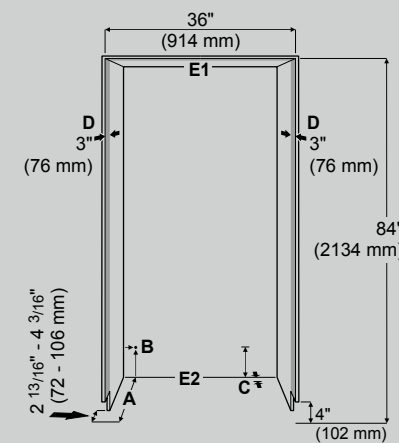
### Frameless

A = 16" (406 mm)  
B = 1/2" (12.5 mm)  
C = 38 3/8" (975 mm)

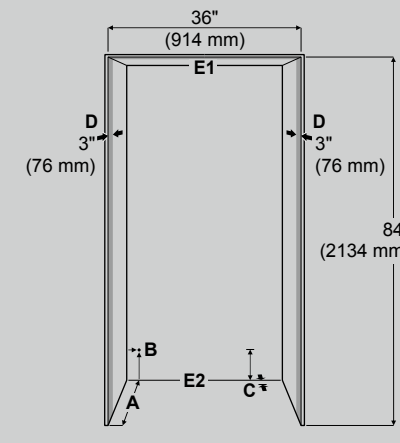
Dimension A = without mounted door handle

## Cut out Dimensions

### Continuous Toe Kick



### Individual Toe Kick



### A

Cabinet depth frameless installation style = 25" (635 mm)  
Cabinet depth inset installation style = 25" (635 mm) + panel thickness.

### B

At this point the power cord exits from the appliance rear. 3/4" (19 mm) from the left and 5" (127 mm) from the floor. Free length of the power cord is 98" (2.5 m).

### C

The appliance has a recess in this area for cable and waterline laying. 1" (25 mm) in depth and 5 1/2" (140 mm) in height over the whole width of the appliance.

### D

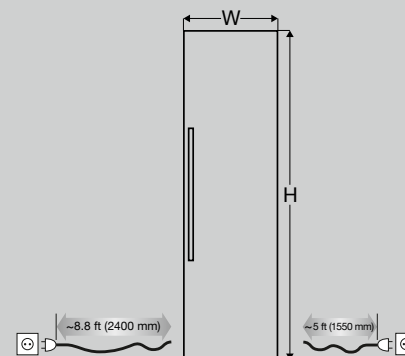
This surface is visible when the appliance door is open. Designed finish is required.

### E1, E2

Depending on the appliance, the anti-tipping bracket is positioned at the top (E1) or base (E2) of the appliance and must be secured to the wall or to the floor, please refer to the installation manual for more information.

## Door Panel Dimensions

and dimensions of free length for power



### 36" recess

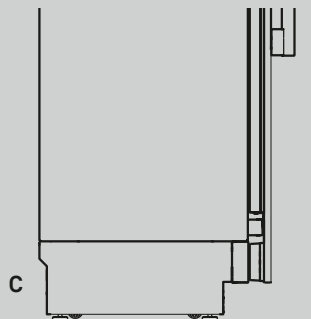
#### Inset installation style

H = 79 7/8" (2029 mm)  
W = 35 3/4" (908 mm)

#### Frameless installation style

H = 80" (2032 mm) Add overlapping dimension to the panel on the top.  
W = 36" (914 mm) Add overlapping dimension to the panel on both sides.

Panel thickness: Min. 5/8" (16 mm)\* / Max. 1" (25.4 mm)  
Panel and handle weight: Max. 88 lbs. (40 kg)



\* If a shaker style panel is used, which is thinner than the minum panel thickness, shorter screws than those supplied in the accessory pack must be used.

# FREEZING



MF 1851



# Key Features



Soft System

**SoftSystem:** Doors close automatically and gently thanks to our SoftSystem technology, which eliminates slamming even when shelves are fully loaded. Depending on which size Monolith you choose, the door hinges are rated for up to 88 pounds.



Ice Maker

**IceMaker:** Monolith's automatic IceMaker produces 3.5 pounds of filtered ice in 24 hours. Activate the SuperFrost function for an even greater production capability. With a 4 to 7.7 pound storage capacity, depending on the model, you'll never be without.



**Freezer Door Bins:** With their unique design, Monolith's durable freezer door bins allows cold air to flow freely, keeping temperature constant while optimizing food preservation. The see-through door bins are also fully adjustable, easily accommodating small to medium-sized items so that inner freezer shelves are free to accommodate bulkier foods.



Infinity Light

**InfinityLight:** Monolith's seamlessly integrated LED side-wall lighting casts a beautiful and even glow that can be adjusted according to taste, including a soft brightening effect upon opening the doors. InfinityLight doesn't just add drama and flair, it also emits less heat, preserving food quality.



Frost Safe System

**FrostSafe Drawers:** Monolith's FrostSafe sealed removable freezer drawers protect frozen food from unwanted air exchange and chilled air loss, even when the door is opened. FrostSafe drawers are also generously deep and transparent, providing an optimum view of what's stored within.



Super Frost

**SuperFrost:** Simply quick freeze just-bought groceries to preserve optimum food freshness, while sealing in flavors and maintaining essential vitamins and minerals.

# 18" Monolith Freezer



← 18" →

| MF 1851                               |                                |
|---------------------------------------|--------------------------------|
| Energy consumption (kWh / y)          | 412                            |
| Estimated Yearly Energy Cost in US \$ | 50*                            |
| Sound rating dB(A)                    | 39**                           |
| Freezer capacity cu.ft. (l)           | 7.8 (222)                      |
| Number of shelves                     | 4                              |
| Number of door racks                  | 3                              |
| Number of FrostSafe drawers           | 3                              |
| Electronic control                    | InfinitySwipe                  |
| Freezer temperature range °F (°C)     | +7°F to -17°F (-14°C to -27°C) |
| Defrost type                          | automatic                      |
| Interior light                        | InfinityLight                  |
| Water filter                          | yes                            |
| IceMaker                              | fixed water connection         |
| Ice cube output lbs. (kg) / 24h       | 3.5 (1.6)                      |
| Ice cube stock lbs. (kg)              | 4 (1.8)                        |
| Door hinges                           | left, reversible***            |
| Product dimensions                    |                                |
| in inch (H/W/D)                       | 83 3/4" / 17 3/4" / 24"        |
| in cm (H/W/D)                         | 212.6 / 45 / 61                |
| Cut out dimensions                    |                                |
| in inch (H/W/D)                       | 84" / 18" / 25"                |
| in cm (H/W/D)                         | 213.4 / 45.7 / 63.5            |
| Net weight lbs. (kg)                  | 299.8 (136)                    |
| Voltage V / Hz                        | 115/60                         |

\* Estimated energy cost will depend on utility rates and use. Estimated energy cost based on a national average electricity cost of 12 cents per kWh.

\*\* Noise output - according to EN 60704-3.

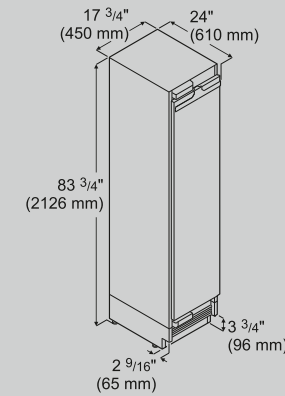
\*\*\* Please contact your Liebherr Authorized Dealer for door reversal.

## Available Accessories

- Stainless steel panel
- Monolith brushed aluminum square handle
- Monolith stainless steel round handle
- Monolith brushed aluminum soft-edge handle
- Stainless steel Toe Kick
- Reverse door kit

See pages 56–59 for available accessories for single units and Side-by-Side combinations.

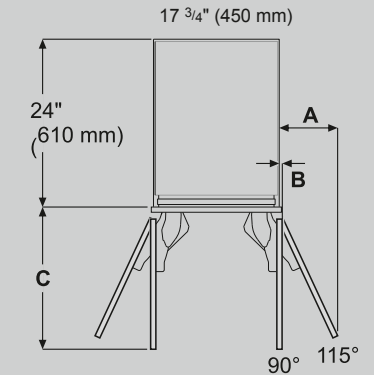
## Product Dimensions



### IMPORTANT!

Stated minimum height dimensions include when the leveled feet are fully inserted.

Height can be increased by a maximum of 3/4" (19 mm) by turning the adjustable feet. When the appliance is fitted in the recess, the appliance must be raised by turning the adjustable feet so that the appliance top has contact with the anti-tipping bracket. This results in a 4" (102 mm) Toe Kick height. Width will increase by 1/4" (6.5 mm) when mounting strips are installed.



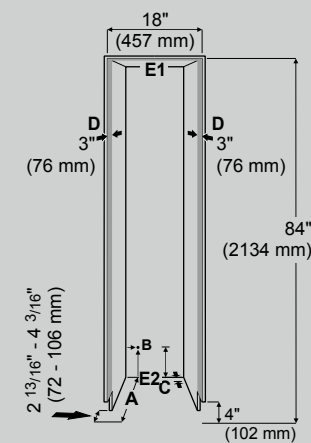
**Inset**  
 A = 8 1/4" (210 mm)  
 B = 1/2" (12.5 mm)  
 C = 19 7/8" (505 mm)

**Frameless**  
 A = 8 1/2" (216 mm)  
 B = 1/2" (12.5 mm)  
 C = 20 3/8" (517 mm)

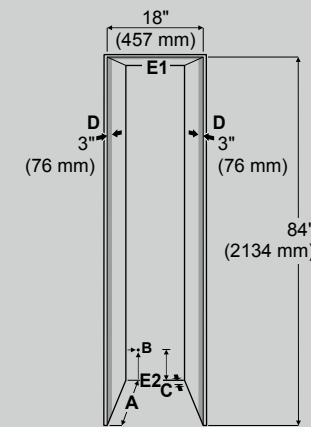
Dimension A = without mounted door handle

## Cut out Dimensions

### Continuous Toe Kick

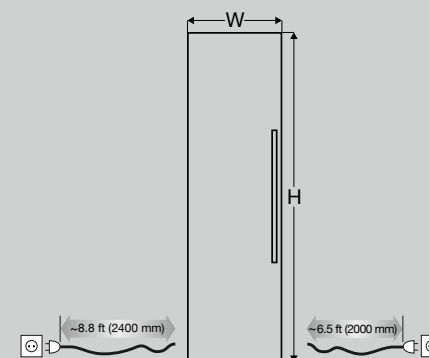


### Individual Toe Kick



## Door Panel Dimensions

and dimensions of free length for power

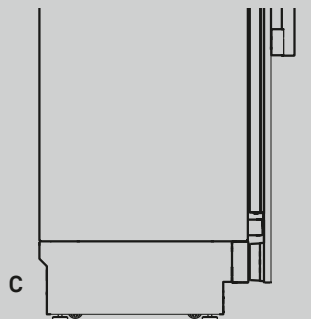


### 18" recess

**Inset installation style**  
 H = 79 7/8" (2029 mm)  
 W = 17 3/4" (451 mm)

**Frameless installation style**  
 H = 80" (2032 mm) Add overlapping dimension to the panel on the top.  
 W = 18" (457 mm) Add overlapping dimension to the panel on both sides.

Panel thickness: Min. 5/8" (16 mm)\* / Max. 1" (25.4 mm)  
 Panel and handle weight: Max. 55 lbs. (25 kg)



**A**  
 Cabinet depth frameless installation style = 25" (635 mm)  
 Cabinet depth inset installation style = 25" (635 mm) + panel thickness.

**B**  
 At this point the power cord exits from the appliance rear. 3/4" (19 mm) from the left and 5" (127 mm) from the floor. Free length of the power cord is 98" (2.5 m).

**C**  
 The appliance has a recess in this area for cable and waterline laying. 1" (25 mm) in depth and 5 1/2" (140 mm) in height over the whole width of the appliance.

**D**  
 This surface is visible when the appliance door is open. Designed finish is required.

**E1, E2**  
 Depending on the appliance, the anti-tipping bracket is positioned at the top (E1) or base (E2) of the appliance and must be secured to the wall or to the floor, please refer to the installation manual for more information.

\* If a shaker style panel is used, which is thinner than the minium panel thickness, shorter screws than those supplied in the accessory pack must be used.



# 24" Monolith Freezer



←24"→

| MF 2451                               |                                |
|---------------------------------------|--------------------------------|
| Energy consumption (kWh / y)          | 438                            |
| Estimated Yearly Energy Cost in US \$ | 53*                            |
| Sound rating dB(A)                    | 39**                           |
| Freezer capacity cu.ft. (l)           | 11.5 (325)                     |
| Number of shelves                     | 4                              |
| Number of door racks                  | 3                              |
| Number of FrostSafe drawers           | 3                              |
| Electronic control                    | InfinitySwipe                  |
| Freezer temperature range °F (°C)     | +7°F to -17°F (-14°C to -27°C) |
| Defrost type                          | automatic                      |
| Interior light                        | InfinityLight                  |
| Water filter                          | yes                            |
| IceMaker                              | fixed water connection         |
| Ice cube output lbs. (kg) / 24h       | 3.5 (1.6)                      |
| Ice cube stock lbs. (kg)              | 5.3 (2.4)                      |
| Door hinges                           | left, reversible***            |
| Product dimensions                    |                                |
| in inch (H/W/D)                       | 83 3/4" / 23 3/4" / 24"        |
| in cm (H/W/D)                         | 212.6 / 60.2 / 61              |
| Cut out dimensions                    |                                |
| in inch (H/W/D)                       | 84" / 24" / 25"                |
| in cm (H/W/D)                         | 213.4 / 61 / 63.5              |
| Net weight lbs. (kg)                  | 346.1 (157)                    |
| Voltage V / Hz                        | 115/60                         |

\* Estimated energy cost will depend on utility rates and use. Estimated energy cost based on a national average electricity cost of 12 cents per kWh.

\*\* Noise output - according to EN 60704-3.

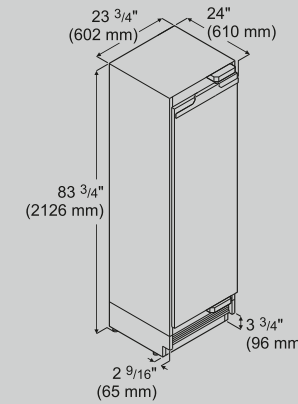
\*\*\* Please contact your Liebherr Authorized Dealer for door reversal.

## Available Accessories

- Stainless steel panel
- Monolith brushed aluminum square handle
- Monolith stainless steel round handle
- Monolith brushed aluminum soft-edge handle
- Stainless steel Toe Kick
- Reverse door kit

See pages 56–59 for available accessories for single units and Side-by-Side combinations.

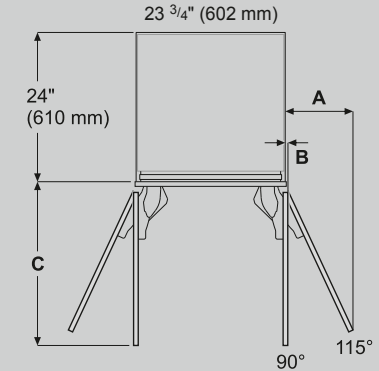
## Product Dimensions



### IMPORTANT!

Stated minimum height dimensions include when the leveled feet are fully inserted.

Height can be increased by a maximum of 3/4" (19 mm) by turning the adjustable feet. When the appliance is fitted in the recess, the appliance must be raised by turning the adjustable feet so that the appliance top has contact with the anti-tipping bracket. This results in a 4" (102 mm) Toe Kick height. Width will increase by 1/4" (6.5 mm) when mounting strips are installed.



### Inset

- A = 10 3/4" (273 mm)
- B = 1/2" (12.5 mm)
- C = 25 7/8" (658 mm)

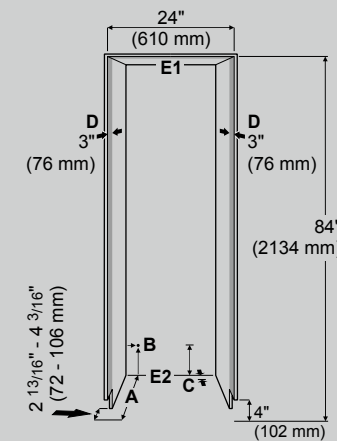
### Frameless

- A = 11" (279 mm)
- B = 1/2" (12.5 mm)
- C = 26 3/8" (670 mm)

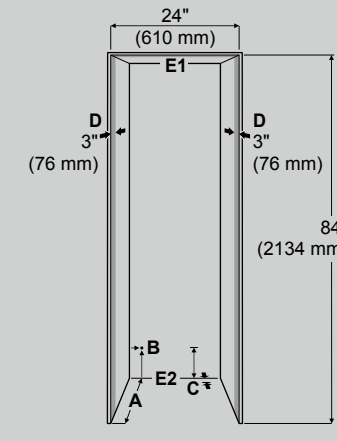
Dimension A = without mounted door handle

## Cut out Dimensions

### Continuous Toe Kick



### Individual Toe Kick



### A

Cabinet depth frameless installation style = 25" (635 mm)  
Cabinet depth inset installation style = 25" (635 mm) + panel thickness.

### B

At this point the power cord exits from the appliance rear. 3/4" (19 mm) from the left and 5" (127 mm) from the floor. Free length of the power cord is 98" (2.5 m).

### C

The appliance has a recess in this area for cable and waterline laying. 1" (25 mm) in depth and 5 1/2" (140 mm) in height over the whole width of the appliance.

### D

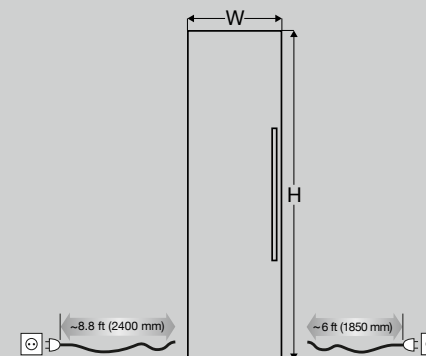
This surface is visible when the appliance door is open. Designed finish is required.

### E1, E2

Depending on the appliance, the anti-tipping bracket is positioned at the top (E1) or base (E2) of the appliance and must be secured to the wall or to the floor, please refer to the installation manual for more information.

## Door Panel Dimensions

and dimensions of free length for power



### 24" recess

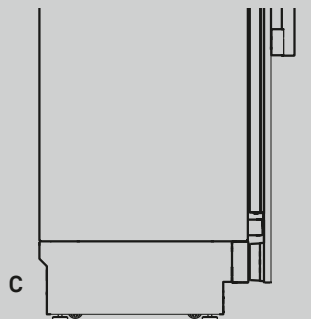
#### Inset installation style

- H = 79 7/8" (2029 mm)
- W = 23 3/4" (603 mm)

#### Frameless installation style

- H = 80" (2032 mm) Add overlapping dimension to the panel on the top.
- W = 24" (610 mm) Add overlapping dimension to the panel on both sides.

Panel thickness: Min. 5/8" (16 mm)\* / Max. 1" (25.4 mm)  
Panel and handle weight: Max. 66 lbs. (30 kg)



\* If a shaker style panel is used, which is thinner than the minum panel thickness, shorter screws than those supplied in the accessory pack must be used.

# 30" Monolith Freezer



←30"→

| MF 3051                               |                                |
|---------------------------------------|--------------------------------|
| Energy consumption (kWh / y)          | 529                            |
| Estimated Yearly Energy Cost in US \$ | 64*                            |
| Sound rating dB(A)                    | 39**                           |
| Freezer capacity cu.ft. (l)           | 15.2 (431)                     |
| Number of shelves                     | 4                              |
| Number of door racks                  | 3                              |
| Number of FrostSafe drawers           | 3                              |
| Electronic control                    | InfinitySwipe                  |
| Freezer temperature range °F (°C)     | +7°F to -17°F (-14°C to -27°C) |
| Defrost type                          | automatic                      |
| Interior light                        | InfinityLight                  |
| Water filter                          | yes                            |
| IceMaker                              | fixed water connection         |
| Ice cube output lbs. (kg) / 24h       | 3.5 (1.6)                      |
| Ice cube stock lbs. (kg)              | 6.6 (3)                        |
| Door hinges                           | left, reversible***            |
| <b>Product dimensions</b>             |                                |
| in inch (H/W/D)                       | 83 3/4" / 29 11/16" / 24"      |
| in cm (H/W/D)                         | 212.6 / 75.4 / 61              |
| <b>Cut out dimensions</b>             |                                |
| in inch (H/W/D)                       | 84" / 30" / 25"                |
| in cm (H/W/D)                         | 213.4 / 76.2 / 63.5            |
| Net weight lbs. (kg)                  | 392.4 (178)                    |
| Voltage V / Hz                        | 115/60                         |

\* Estimated energy cost will depend on utility rates and use. Estimated energy cost based on a national average electricity cost of 12 cents per kWh.

\*\* Noise output - according to EN 60704-3.

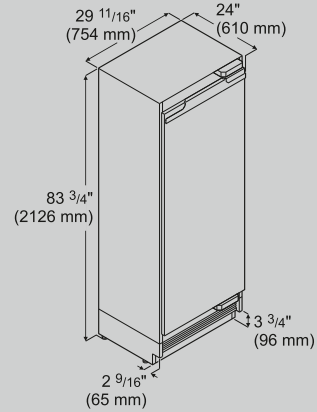
\*\*\* Please contact your Liebherr Authorized Dealer for door reversal.

## Available Accessories

- Stainless steel panel
- Monolith brushed aluminum square handle
- Monolith stainless steel round handle
- Monolith brushed aluminum soft-edge handle
- Stainless steel Toe Kick
- Reverse door kit

See pages 56-59 for available accessories for single units and Side-by-Side combinations.

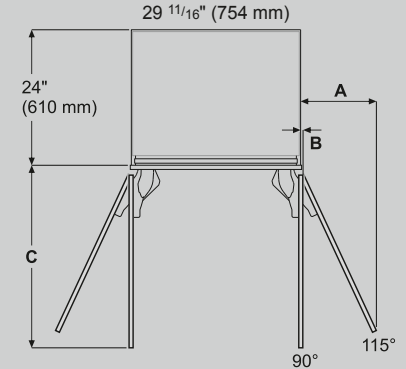
## Product Dimensions



### IMPORTANT!

Stated minimum height dimensions include when the leveled feet are fully inserted.

Height can be increased by a maximum of 3/4" (19 mm) by turning the adjustable feet. When the appliance is fitted in the recess, the appliance must be raised by turning the adjustable feet so that the appliance top has contact with the anti-tipping bracket. This results in a 4" (102 mm) Toe Kick height. Width will increase by 1/4" (6.5 mm) when mounting strips are installed.



### Inset

A = 13 1/4" (337 mm)  
B = 1/2" (12.5 mm)  
C = 31 7/8" (810 mm)

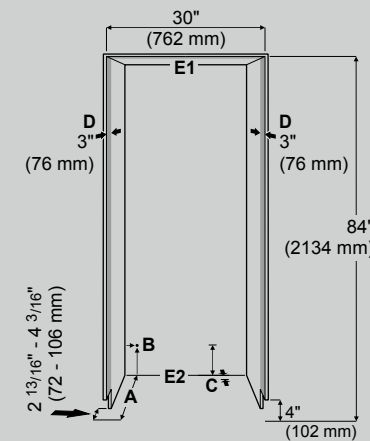
### Frameless

A = 13 1/2" (343 mm)  
B = 1/2" (12.5 mm)  
C = 32 3/8" (822 mm)

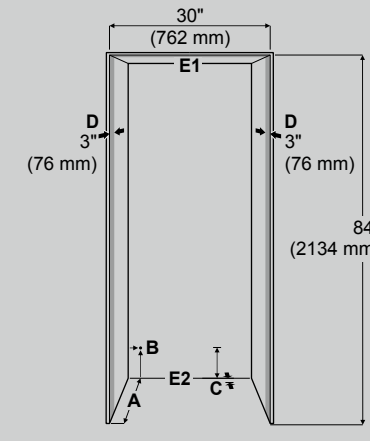
Dimension A = without mounted door handle

## Cut out Dimensions

### Continuous Toe Kick



### Individual Toe Kick



### A

Cabinet depth frameless installation style = 25" (635 mm)  
Cabinet depth inset installation style = 25" (635 mm) + panel thickness.

### B

At this point the power cord exits from the appliance rear. 3/4" (19 mm) from the left and 5" (127 mm) from the floor. Free length of the power cord is 98" (2.5 m).

### C

The appliance has a recess in this area for cable and waterline laying. 1" (25 mm) in depth and 5 1/2" (140 mm) in height over the whole width of the appliance.

### D

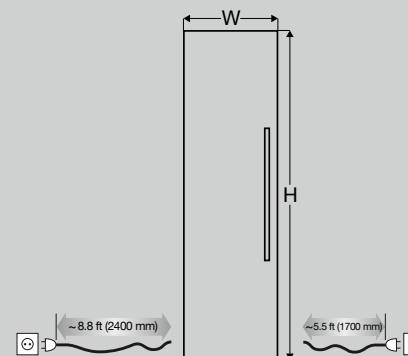
This surface is visible when the appliance door is open. Designed finish is required.

### E1, E2

Depending on the appliance, the anti-tipping bracket is positioned at the top (E1) or base (E2) of the appliance and must be secured to the wall or to the floor, please refer to the installation manual for more information.

## Door Panel Dimensions

and dimensions of free length for power



### 30" recess

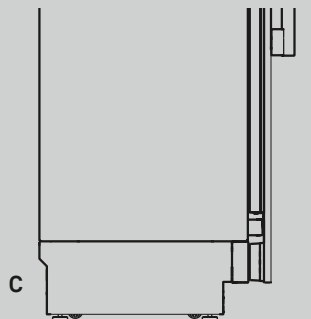
#### Inset installation style

H = 79 7/8" (2029 mm)  
W = 29 3/4" (756 mm)

#### Frameless installation style

H = 80" (2032 mm) Add overlapping dimension to the panel on the top.  
W = 30" (762 mm) Add overlapping dimension to the panel on both sides.

Panel thickness: Min. 5/8" (16 mm)\* / Max. 1" (25.4 mm)  
Panel and handle weight: Max. 77 lbs. (35 kg)



\* If a shaker style panel is used, which is thinner than the minum panel thickness, shorter screws than those supplied in the accessory pack must be used.

# 36" Monolith Freezer



← 36" →

| MF 3651                               |                                |
|---------------------------------------|--------------------------------|
| Energy consumption (kWh / y)          | 586                            |
| Estimated Yearly Energy Cost in US \$ | 71*                            |
| Sound rating dB(A)                    | 39**                           |
| Freezer capacity cu.ft. (l)           | 18.9 (534)                     |
| Number of shelves                     | 4                              |
| Number of door racks                  | 3                              |
| Number of FrostSafe drawers           | 3                              |
| Electronic control                    | InfinitySwipe                  |
| Freezer temperature range °F (°C)     | +7°F to -17°F (-14°C to -27°C) |
| Defrost type                          | automatic                      |
| Interior light                        | InfinityLight                  |
| Water filter                          | yes                            |
| IceMaker                              | fixed water connection         |
| Ice cube output lbs. (kg) / 24h       | 3.5 (1.6)                      |
| Ice cube stock lbs. (kg)              | 7.7 (3.5)                      |
| Door hinges                           | left, reversible***            |
| <b>Product dimensions</b>             |                                |
| in inch (H / W / D)                   | 83 3/4" / 35 11/16" / 24"      |
| in cm (H / W / D)                     | 212.6 / 90.6 / 61              |
| <b>Cut out dimensions</b>             |                                |
| in inch (H / W / D)                   | 84" / 36" / 25"                |
| in cm (H / W / D)                     | 213.4 / 91.4 / 63.5            |
| Net weight lbs. (kg)                  | 436.5 (198)                    |
| Voltage V / Hz                        | 115 / 60                       |

\* Estimated energy cost will depend on utility rates and use. Estimated energy cost based on a national average electricity cost of 12 cents per kWh.

\*\* Noise output - according to EN 60704-3.

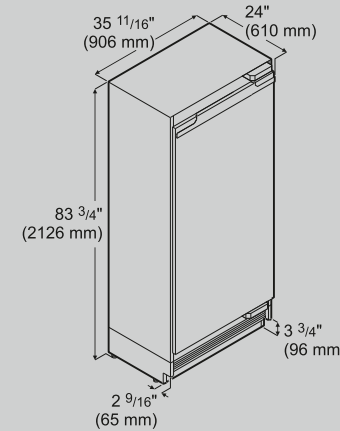
\*\*\* Please contact your Liebherr Authorized Dealer for door reversal.

## Available Accessories

- Stainless steel panel
- Monolith brushed aluminum square handle
- Monolith stainless steel round handle
- Monolith brushed aluminum soft-edge handle
- Stainless steel Toe Kick
- Reverse door kit

See pages 56–59 for available accessories for single units and Side-by-Side combinations.

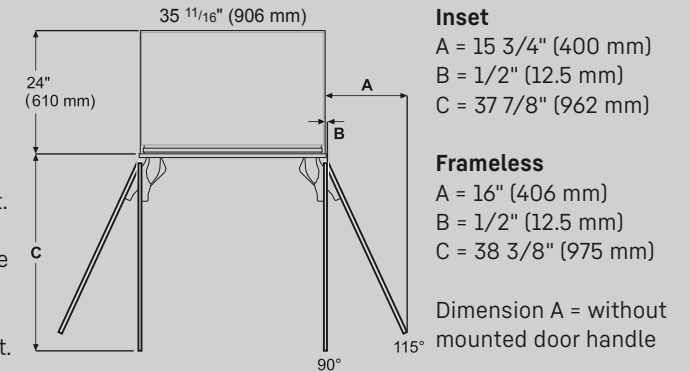
## Product Dimensions



### IMPORTANT!

Stated minimum height dimensions include when the leveled feet are fully inserted.

Height can be increased by a maximum of 3/4" (19 mm) by turning the adjustable feet. When the appliance is fitted in the recess, the appliance must be raised by turning the adjustable feet so that the appliance top has contact with the anti-tipping bracket. This results in a 4" (102 mm) Toe Kick height. Width will increase by 1/4" (6.5 mm) when mounting strips are installed.



### Inset

A = 15 3/4" (400 mm)  
B = 1/2" (12.5 mm)  
C = 37 7/8" (962 mm)

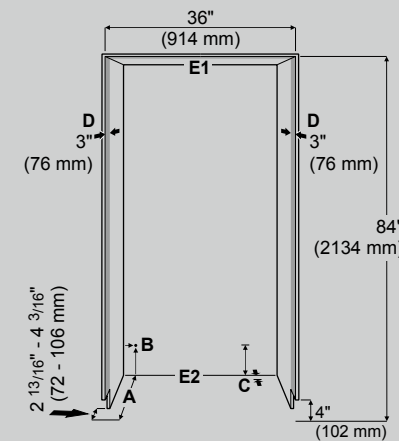
### Frameless

A = 16" (406 mm)  
B = 1/2" (12.5 mm)  
C = 38 3/8" (975 mm)

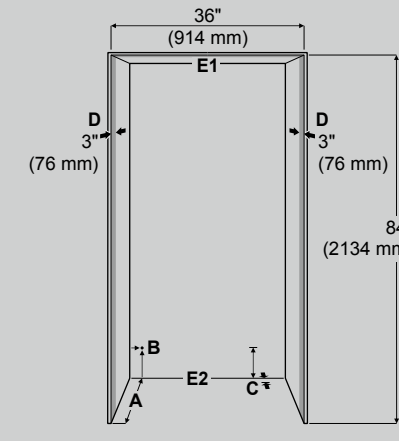
Dimension A = without mounted door handle

## Cut out Dimensions

### Continuous Toe Kick



### Individual Toe Kick



### A

Cabinet depth frameless installation style = 25" (635 mm)  
Cabinet depth inset installation style = 25" (635 mm) + panel thickness.

### B

At this point the power cord exits from the appliance rear. 3/4" (19 mm) from the left and 5" (127 mm) from the floor. Free length of the power cord is 98" (2.5 m).

### C

The appliance has a recess in this area for cable and waterline laying. 1" (25 mm) in depth and 5 1/2" (140 mm) in height over the whole width of the appliance.

### D

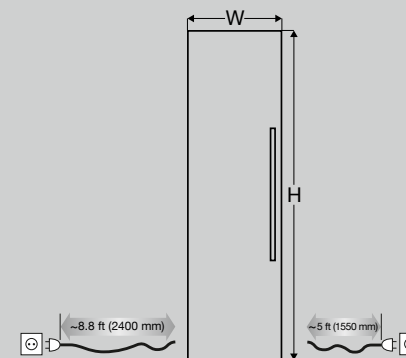
This surface is visible when the appliance door is open. Designed finish is required.

### E1, E2

Depending on the appliance, the anti-tipping bracket is positioned at the top (E1) or base (E2) of the appliance and must be secured to the wall or to the floor, please refer to the installation manual for more information.

## Door Panel Dimensions

and dimensions of free length for power



### 36" recess

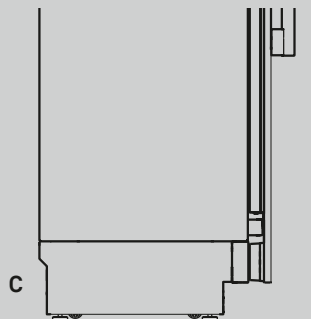
#### Inset installation style

H = 79 7/8" (2029 mm)  
W = 35 3/4" (908 mm)

#### Frameless installation style

H = 80" (2032 mm) Add overlapping dimension to the panel on the top.  
W = 36" (914 mm) Add overlapping dimension to the panel on both sides.

Panel thickness: Min. 5/8" (16 mm)\* / Max. 1" (25.4 mm)  
Panel and handle weight: Max. 88 lbs. (40 kg)



\* If a shaker style panel is used, which is thinner than the minium panel thickness, shorter screws than those supplied in the accessory pack must be used.

WINE



MW 2400



# Key Features



Infinity Light

**InfinityLight:** Monolith's integrated LED side-wall lighting casts a beautiful and even glow throughout the space. This feature includes a soft brightening effect upon opening the doors and the lighting can be fine-tuned according to your personal taste. InfinityLight LED technology emits less heat and is more efficient than traditional lighting, preserving both your wines and the environment.



**Customized Labeling:** Keep your wine collections organized and label your collection with ease. Located on each wine shelf trim, erasable labels allow you to identify and customize your wine collection, making sure each bottle is right where you want it.



Infinity Swipe

**InfinitySwipe:** Control every function of your wine column effortlessly with Monolith's intuitive electronic touch-control panel. Featuring a full-color 3.5 inch touch & swipe screen, that's bright and easy to read, this wonderful user-friendly feature displays up to three temperatures for multiple-zone wine columns.



**InfinityProtection:** To protect wines from high temperature fluctuations, Monolith wine columns utilize two temperature sensors in each compartment to help maintain precise temperatures – a feature unique to Liebherr. If the sensors detect a critical temperature change, an alert is sent, notifying you immediately to help preserve your wines and keep them safe from overheating and undercooling.



**FreshAir Activated Charcoal Filter:** Your wine collections deserve the best air quality. Monolith's FreshAir filter features one charcoal filter in each compartment to preserve and protect your treasured wines. Incoming air is purified while damaging odors are filtered out to prevent contamination.



Soft System

**SoftSystem:** Doors close gently every time thanks to Monolith's SoftSystem technology, protecting wine bottles and eliminating slamming for a premium experience. This integrated technology allows doors to close effortlessly and quietly, bringing a bit of relaxation into every glass poured.



Telescopic Rails

**Flexible Shelves on Telescopic Rails:** Monolith's flexible shelves allow for custom configurations to hold larger wine and champagne bottles. With flexible shelving, Monolith wine columns can comfortably fit all the bottles in your collection, helping you get the most out of your cooler and your wines.



**InfinityBoard:** The unique design of the Monolith wine column features a board that can be pulled out as a temporary shelf to hold bottles while organizing and adding to your wine collection. Serve yourself, or your guests, with ease, while keeping your wines right where they belong.

# 18" Monolith Wine



← 18" →

| MW 1801  |                                    |
|--|------------------------------------|
| Infinity Light                                 | Wine                               |
| Soft System                                    | Smart Device                       |
| Telescopic Rails                               |                                    |
| Energy consumption (kWh / y)                   | 150                                |
| Sound rating dB(A)                             | 38 *                               |
| Total capacity cu.ft. (l)                      | 8.2 (232)                          |
| Max. No. of Bordeaux bottles (0.75l)           | 75                                 |
| Number of shelves                              | 9                                  |
| Shelves on telescopic rails                    | 9                                  |
| Shelf material                                 | aluminum / beech                   |
| InfinityBoard                                  | yes                                |
| Electronic control                             | InfinitySwipe                      |
| Temperature range °F (°C)                      | +41 °F to +68 °F (+5 °C to +20 °C) |
| Temperature zones                              | 2                                  |
| Temperature alarm                              | visual and acoustic                |
| Interior light                                 | InfinityLight                      |
| Door alarm                                     | acoustic                           |
| Safety thermostat                              | yes                                |
| Activated charcoal filter                      | yes                                |
| Door type                                      | insulated glass door               |
| Door hinges                                    | left, reversible**                 |
| Product dimensions                             |                                    |
| in inch (H / W / D)                            | 83 3/4" / 17 3/4" / 24"            |
| in cm (H / W / D)                              | 212.6 / 45 / 61                    |
| Cut out dimensions                             |                                    |
| in inch (H / W / D)                            | 84" / 18" / 25"                    |
| in cm (H / W / D)                              | 213.4 / 45.7 / 63.5                |
| Net weight lbs. (kg)                           | 295.4 (134)                        |
| Voltage V / Hz                                 | 115/60                             |
| <b>This unit is also available as MW 1800:</b> | with right door hinges             |

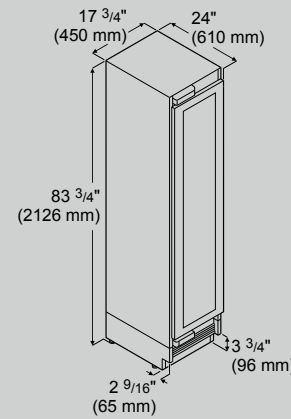
\* Noise output - according to EN 60704-3.  
 \*\* Please contact your Liebherr Authorized Dealer for door reversal.

## Available Accessories

- Stainless steel panel
- Monolith brushed aluminum square handle
- Monolith stainless steel round handle
- Monolith brushed aluminum soft-edge handle
- Stainless steel Toe Kick
- Reverse door kit

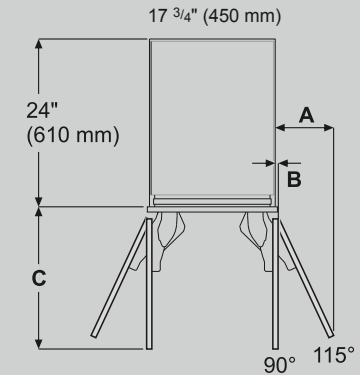
See pages 56-59 for available accessories for single units and Side-by-Side combinations.

## Product Dimensions



**IMPORTANT!**  
 Stated minimum height dimensions include when the leveled feet are fully inserted.

Height can be increased by a maximum of 3/4" (19 mm) by turning the adjustable feet. When the appliance is fitted in the recess, the appliance must be raised by turning the adjustable feet so that the appliance top has contact with the anti-tipping bracket. This results in a 4" (102 mm) Toe Kick height. Width will increase by 1/4" (6.5 mm) when mounting strips are installed.



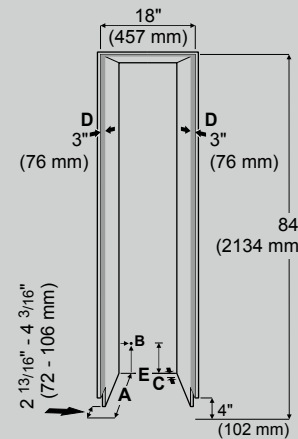
**Inset**  
 A = 8 1/4" (210 mm)  
 B = 1/2" (12.5 mm)  
 C = 19 7/8" (505 mm)

**Frameless**  
 A = 8 1/2" (216 mm)  
 B = 1/2" (12.5 mm)  
 C = 20 3/8" (517 mm)

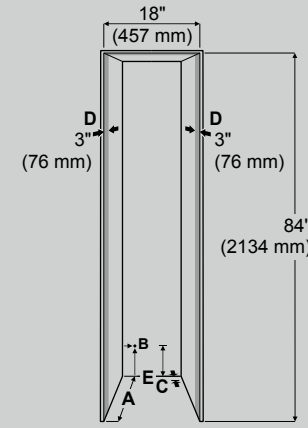
Dimension A = without mounted door handle

## Cut out Dimensions

### Continuous Toe Kick

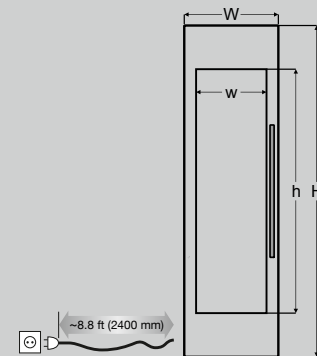


### Individual Toe Kick



## Door Panel Dimensions

and dimensions of free length for power

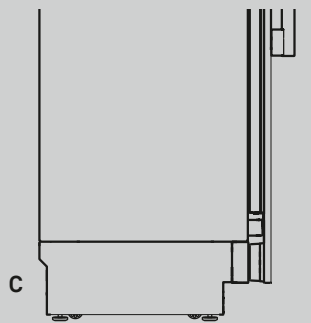


### 18" recess

**Inset installation style**  
 H = 79 7/8" (2029 mm) / h = 58 7/8" (1495 mm)  
 W = 17 3/4" (451 mm) / w = 11" (280 mm)

**Frameless installation style**  
 H = 80" (2032 mm) Add overlapping dimension to the panel on the top.  
 W = 18" (457 mm) Add overlapping dimension to the panel on both sides.

Panel thickness: Min. 5/8" (16 mm)\* / Max. 1" (25.4 mm)  
 Panel and handle weight: Max. 52 lbs. (24 kg)



\* If a shaker style panel is used, which is thinner than the minium panel thickness, shorter screws than those supplied in the accessory pack must be used.

# 24" Monolith Wine



←24"→

| MW 2400  |                                    |
|--|------------------------------------|
| Infinity Light                                 | Wine                               |
| Soft System                                    | Smart Device                       |
| Telescopic Rails                               |                                    |
| Energy consumption (kWh / y)                   | 170                                |
| Sound rating dB(A)                             | 38*                                |
| Total capacity cu.ft. (l)                      | 11.3 (320)                         |
| Max. No. of Bordeaux bottles (0.75l)           | 100                                |
| Number of shelves                              | 9                                  |
| Shelves on telescopic rails                    | 9                                  |
| Shelf material                                 | aluminum / beech                   |
| InfinityBoard                                  | yes                                |
| Electronic control                             | InfinitySwipe                      |
| Temperature range °F (°C)                      | +41 °F to +68 °F (+5 °C to +20 °C) |
| Temperature zones                              | 3                                  |
| Temperature alarm                              | visual and acoustic                |
| Interior light                                 | InfinityLight                      |
| Door alarm                                     | acoustic                           |
| Safety thermostat                              | yes                                |
| Activated charcoal filter                      | yes                                |
| Door type                                      | insulated glass door               |
| Door hinges                                    | right, reversible**                |
| Product dimensions                             |                                    |
| in inch (H / W / D)                            | 83 3/4" / 23 3/4" / 24"            |
| in cm (H / W / D)                              | 212.6 / 60.2 / 61                  |
| Cut out dimensions                             |                                    |
| in inch (H / W / D)                            | 84" / 24" / 25"                    |
| in cm (H / W / D)                              | 213.4 / 61 / 63.5                  |
| Net weight lbs. (kg)                           | 354.9 (161)                        |
| Voltage V / Hz                                 | 115 / 60                           |
| <b>This unit is also available as MW 2401:</b> | with left door hinges              |

\* Noise output - according to EN 60704-3.

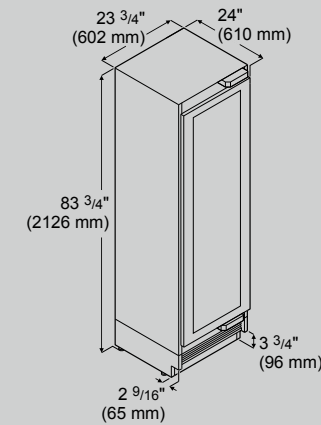
\*\* Please contact your Liebherr Authorized Dealer for door reversal.

## Available Accessories

- Stainless steel panel
- Monolith brushed aluminum square handle
- Monolith stainless steel round handle
- Monolith brushed aluminum soft-edge handle
- Stainless steel Toe Kick
- Reverse door kit

See pages 56-59 for available accessories for single units and Side-by-Side combinations.

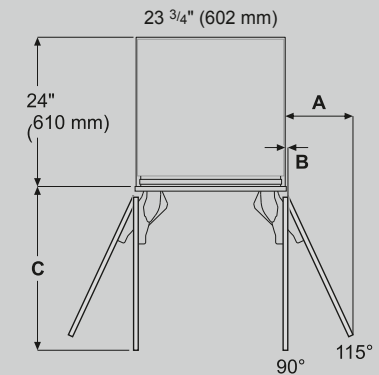
## Product Dimensions



### IMPORTANT!

Stated minimum height dimensions include when the leveled feet are fully inserted.

Height can be increased by a maximum of 3/4" (19 mm) by turning the adjustable feet. When the appliance is fitted in the recess, the appliance must be raised by turning the adjustable feet so that the appliance top has contact with the anti-tipping bracket. This results in a 4" (102 mm) Toe Kick height. Width will increase by 1/4" (6.5 mm) when mounting strips are installed.



### Inset

- A = 10 3/4" (273 mm)
- B = 1/2" (12.5 mm)
- C = 25 7/8" (658 mm)

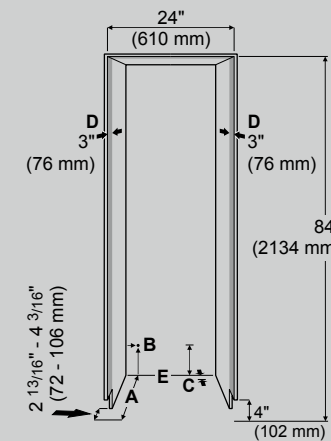
### Frameless

- A = 11" (279 mm)
- B = 1/2" (12.5 mm)
- C = 26 3/8" (670 mm)

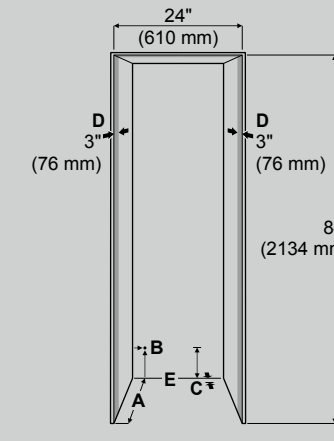
Dimension A = without mounted door handle

## Cut out Dimensions

### Continuous Toe Kick



### Individual Toe Kick



### A

Cabinet depth frameless installation style = 25" (635 mm)  
Cabinet depth inset installation style = 25" (635 mm) + panel thickness

### B

At this point the power cord exits from the appliance rear. 3/4" (19 mm) from the left and 5" (127 mm) from the floor. Free length of the power cord is 98" (2.5 m).

### C

The appliance has a recess in this area for cable and waterline laying. 1" (25 mm) in depth and 5 1/2" (140 mm) in height over the whole width of the appliance.

### D

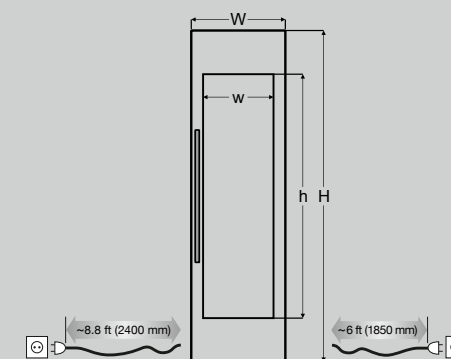
This surface is visible when the appliance door is open. Designed finish is required.

### E

The anti-tipping bracket is positioned at the base of the appliance and must be secured to the wall or to the floor, please refer to the installation manual for more information.

## Door Panel Dimensions

and dimensions of free length for power



### 24" recess

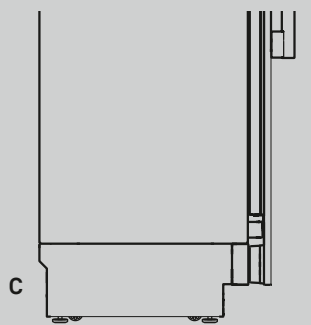
#### Inset installation style

H = 79 7/8" (2029 mm) / h = 58 7/8" (1495 mm)  
W = 23 3/4" (603 mm) / w = 17" (432 mm)

#### Frameless installation style

H = 80" (2032 mm) Add overlapping dimension to the panel on the top.  
W = 24" (610 mm) Add overlapping dimension to the panel on both sides.

Panel thickness: Min. 5/8" (16 mm)\* / Max. 1" (25.4 mm)  
Panel and handle weight: Max. 52 lbs. (24 kg)



\* If a shaker style panel is used, which is thinner than the minium panel thickness, shorter screws than those supplied in the accessory pack must be used.

# COOLING & FREEZING



MCB 3650





# Key Features



Infinity Swipe

**InfinitySwipe:** Monolith's intuitive electronic touch-control panel features a full-color 3.5-inch touch & swipe screen that's bright, clean, and wonderfully user-friendly. You'll barely have to lift a finger to control every function.



Power Cooling

**PowerCooling:** Liebherr's high-performance PowerCooling system ensures that newly stored foods are quickly cooled, while maintaining an even temperature throughout the interior. Taking this system one step further, Monolith circulates cold air behind the door, meaning that items stored in the door stay just as cold as everything else inside.



Infinity Light

**InfinityLight:** Monolith's seamlessly integrated LED side-wall lighting casts a beautiful and even glow that can be adjusted according to taste, including a soft brightening effect upon opening the doors. InfinityLight doesn't just add drama and flair, it also emits less heat, preserving food quality.



**Individually opening French Doors:** Get the most out of your French Door refrigerator, with two doors that open completely silent and independent of each other, providing more space than a traditional one-door refrigerator. The unique Liebherr French Door gasket system ensures each door is always fully closed to save energy and keep your refrigerator at the right temperature.



Infinity Spring

**InfinitySpring:** The seamlessly integrated, flush-mounted InfinitySpring internal water dispenser is there when you need it, and virtually invisible when you don't, and can accommodate pitchers of any size. Liebherr's filtration system eliminates harmful contaminants, resulting in crisp, clear, fresh tasting water.



Bio Fresh Plus

**BioFresh-Plus:** Keep dairy products fresher and more nutritious for longer with our BioFresh-Plus technology. Store fish and seafood at the perfect temperature like at the fish market. Featuring separate electronic controls, BioFresh-Plus offers precise temperature regulation, and with our practical divider, you can easily separate the drawer into two compartments with independent temperatures for everyday use.



Frost Safe System

Ice Maker

**Ice Maker & FrostSafe Drawer:** Monolith's automatic IceMaker produces 3.5 pounds of filtered ice in 24 hours, and activating the SuperFrost function can create an even greater quantity. Additionally, Monolith's FrostSafe sealed removable freezer drawer protects frozen food from unwanted loss of chilled air, even when the door is opened.



Smart Device

**SmartDevice:** Monolith comes with a SmartDeviceBox which can be controlled via a smartphone or tablet, activating settings and features while on the go.

# 30" Monolith Bottom Freezer



←30"→

| MCB 3050  |                                    |
|---|------------------------------------|
| Energy consumption (kWh / y)  | 510                                |
| Estimated Yearly Energy Cost in US \$                                 | 61*                                |
| Sound rating dB(A)  | 40**                               |
| Total capacity cu.ft. (l)   | 12.1 (342)                         |
| Refrigerator capacity cu.ft. (l)                                      | 7 (197)                            |
| BioFresh-Plus compartment cu.ft. (l)                                  | 2.5 (70)                           |
| Freezer capacity cu.ft. (l)   | 5.1 (145)                          |
| Number of shelves   | 3                                  |
| Number of door racks  | 2                                  |
| Number of freezer drawers   | 2                                  |
| Electronic control  | InfinitySwipe                      |
| Refrigerator temperature range °F (°C)                                | +36 °F to +45 °F (+2 °C to +7 °C)  |
| Freezer temperature range °F (°C)                                     | +7 °F to -17 °F (-14 °C to -27 °C) |
| Defrost type  | automatic                          |
| Interior light  | InfinityLight                      |
| Internal Water Dispenser  | InfinitySpring                     |
| Water filter  | yes                                |
| IceMaker  | fixed water connection             |
| Ice cube output lbs. (kg) / 24h                                       | 3.5 (1.6)                          |
| Ice cube stock lbs. (kg)  | 6.6 (3)                            |
| Door hinges   | right, reversible***               |
| Product dimensions  |                                    |
| in inch (H / W / D)   | 83 3/4" / 29 11/16" / 24"          |
| in cm (H / W / D)   | 212.6 / 75.4 / 61                  |
| Cut out dimensions  |                                    |
| in inch (H / W / D)   | 84" / 30" / 25"                    |
| in cm (H / W / D)   | 213.4 / 76.2 / 63.5                |
| Net weight lbs. (kg)  | 403.4 (183)                        |
| Voltage V / Hz  | 115 / 60                           |
| <b>This unit is also available as MCB 3051:</b> with left door hinges |                                    |

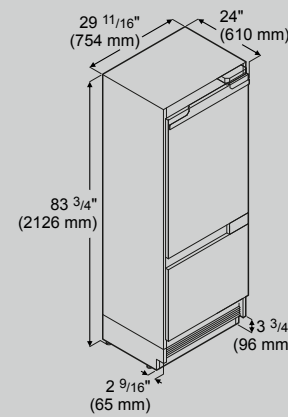
\* Estimated energy cost will depend on utility rates and use.  
 Estimated energy cost based on a national average electricity cost of 12 cents per kWh.  
 \*\* Noise output – according to EN 60704-3.  
 \*\*\* Please contact your Liebherr Authorized Dealer for door reversal.

## Available Accessories

- Stainless steel panel set
- Monolith brushed aluminum square handle
- Monolith stainless steel round handle
- Monolith brushed aluminum soft-edge handle
- Stainless steel Toe Kick
- Reverse door kit

See pages 56–59 for available accessories for single units and Side-by-Side combinations.

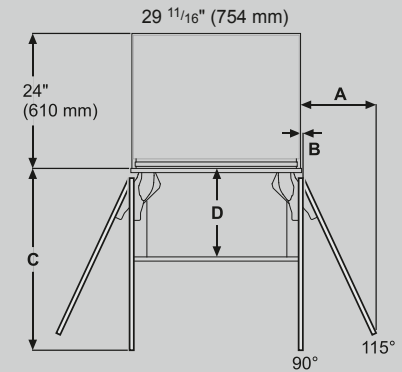
## Product Dimensions



### IMPORTANT!

Stated minimum height dimensions include when the leveled feet are fully inserted.

Height can be increased by a maximum of 3/4" (19 mm) by turning the adjustable feet. When the appliance is fitted in the recess, the appliance must be raised by turning the adjustable feet so that the appliance top has contact with the anti-tipping bracket. This results in a 4" (102 mm) Toe Kick height. Width will increase by 1/4" (6.5 mm) when mounting strips are installed.



### Inset

A = 13 1/4" (337 mm)  
 B = 1/2" (12.5 mm)  
 C = 31 7/8" (810 mm)

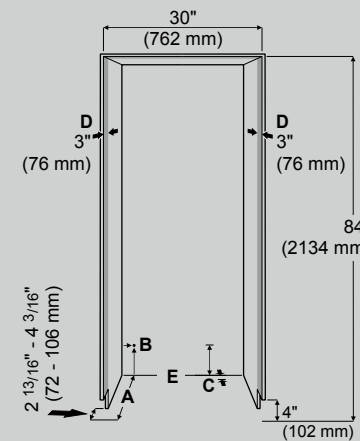
### Frameless

A = 13 1/2" (343 mm)  
 B = 1/2" (12.5 mm)  
 C = 32 3/8" (822 mm)  
 D = 15 3/4" (400 mm)

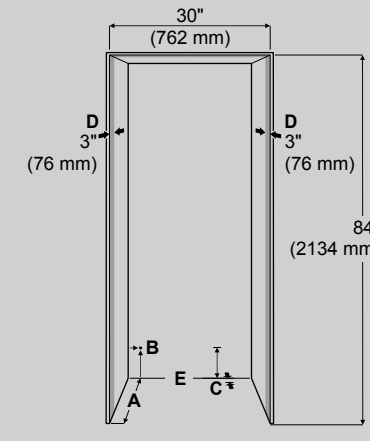
Dimension A = without mounted door handle

## Cut out Dimensions

### Continuous Toe Kick



### Individual Toe Kick



### A

Cabinet depth frameless installation style = 25" (635 mm)  
 Cabinet depth inset installation style = 25" (635 mm) + panel thickness

### B

At this point the power cord exits from the appliance rear. 3/4" (19 mm) from the left and 5" (127 mm) from the floor. Free length of the power cord is 98" (2.5 m).

### C

The appliance has a recess in this area for cable and waterline laying. 1" (25 mm) in depth and 5 1/2" (140 mm) in height over the whole width of the appliance.

### D

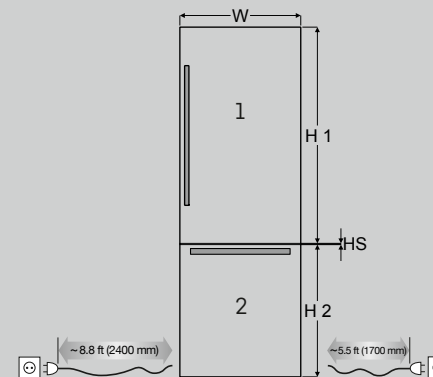
This surface is visible when the appliance door is open. Designed finish is required.

### E

The anti-tipping bracket is positioned at the base of the appliance and must be secured to the wall or to the floor, please refer to the installation manual for more information.

## Door Panel Dimensions

and dimensions of free length for power



### 30" recess

#### Inset installation style

H1 = 49 3/8" (1255 mm)  
 H2 = 30 1/4" (768 mm)  
 HS = 1/4" (6 mm)  
 W = 29 3/4" (756 mm)

#### Frameless installation style

H1 = 49 1/2" (1258 mm)  
 Add overlapping dimension to the panel on the top.  
 H2 = 30 1/4" (768 mm)  
 HS = 1/4" (6 mm)  
 W = 30" (762 mm)  
 Add overlapping dimension to the panel on both sides.

Panel thickness: Min. 5/8" (16 mm)\* / Max. 1" (25.4 mm)  
 Panel and handle weight 1: Max. 77 lbs. (35 kg)  
 Panel and handle weight 2: Max. 55 lbs. (25 kg)

\* If a shaker style panel is used, which is thinner than the minum panel thickness, shorter screws than those supplied in the accessory pack must be used.

# 36" Monolith Bottom Freezer



←36"→

| MCB 3650  |                                    |
|---|------------------------------------|
| Energy consumption (kWh / y)  | 535                                |
| Estimated Yearly Energy Cost in US \$                                 | 64*                                |
| Sound rating dB(A)  | 40**                               |
| Total capacity cu.ft. (l)   | 15 (426)                           |
| Refrigerator capacity cu.ft. (l)                                      | 8.5 (242)                          |
| BioFresh-Plus compartment cu.ft. (l)                                  | 3 (86)                             |
| Freezer capacity cu.ft. (l)   | 6.5 (184)                          |
| Number of shelves   | 3                                  |
| Number of door racks  | 2                                  |
| Number of freezer drawers   | 2                                  |
| Electronic control  | InfinitySwipe                      |
| Refrigerator temperature range °F (°C)                                | +36 °F to +45 °F (+2 °C to +7 °C)  |
| Freezer temperature range °F (°C)                                     | +7 °F to -17 °F (-14 °C to -27 °C) |
| Defrost type  | automatic                          |
| Interior light  | InfinityLight                      |
| Internal Water Dispenser  | InfinitySpring                     |
| Water filter  | yes                                |
| IceMaker  | fixed water connection             |
| Ice cube output lbs. (kg) / 24h                                       | 3.5 (1.6)                          |
| Ice cube stock lbs. (kg)  | 6.6 (3)                            |
| Door hinges   | right, reversible***               |
| Product dimensions  |                                    |
| in inch (H / W / D)   | 83 3/4" / 35 11/16" / 24"          |
| in cm (H / W / D)   | 212.6 / 90.6 / 61                  |
| Cut out dimensions  |                                    |
| in inch (H / W / D)   | 84" / 36" / 25"                    |
| in cm (H / W / D)   | 213.4 / 91.4 / 63.5                |
| Net weight lbs. (kg)  | 460.8 (209)                        |
| Voltage V / Hz  | 115 / 60                           |
| <b>This unit is also available as MCB 3651:</b> with left door hinges |                                    |

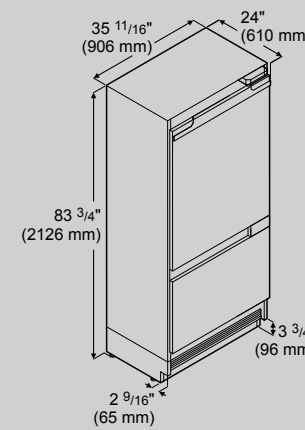
\* Estimated energy cost will depend on utility rates and use.  
 Estimated energy cost based on a national average electricity cost of 12 cents per kWh.  
 \*\* Noise output - according to EN 60704-3.  
 \*\*\*Please contact your Liebherr Authorized Dealer for door reversal.

## Available Accessories

- Stainless steel panel set
- Monolith brushed aluminum square handle
- Monolith stainless steel round handle
- Monolith brushed aluminum soft-edge handle
- Stainless steel Toe Kick
- Reverse door kit

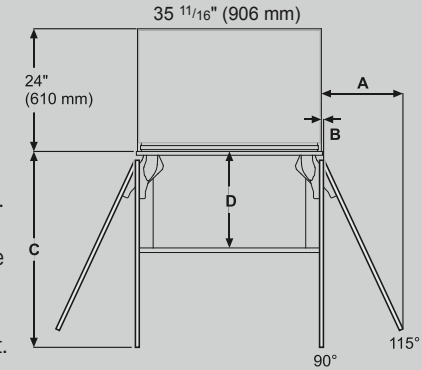
See pages 56–59 for available accessories for single units and Side-by-Side combinations.

## Product Dimensions



**IMPORTANT!**  
 Stated minimum height dimensions include when the leveled feet are fully inserted.

Height can be increased by a maximum of 3/4" (19 mm) by turning the adjustable feet. When the appliance is fitted in the recess, the appliance must be raised by turning the adjustable feet so that the appliance top has contact with the anti-tipping bracket. This results in a 4" (102 mm) Toe Kick height. Width will increase by 1/4" (6.5 mm) when mounting strips are installed.

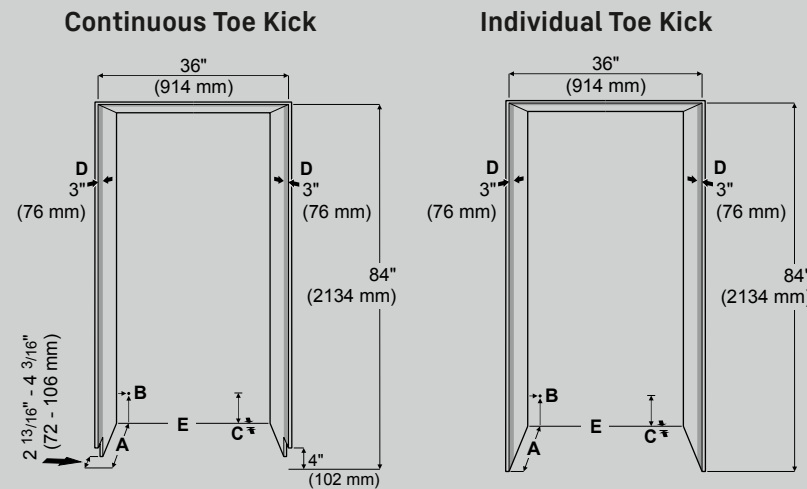


**Inset**  
 A = 15 3/4" (400 mm)  
 B = 1/2" (12.5 mm)  
 C = 37 7/8" (962 mm)

**Frameless**  
 A = 16" (406 mm)  
 B = 1/2" (12.5 mm)  
 C = 38 3/8" (975 mm)  
 D = 15 3/4" (400 mm)

Dimension A = without mounted door handle

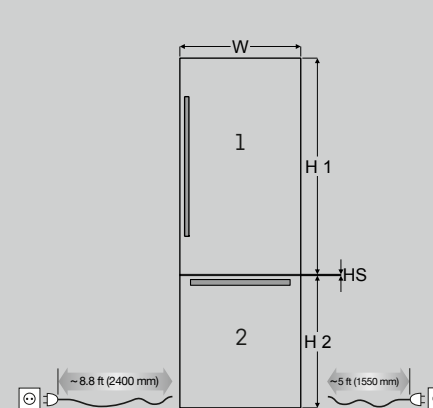
## Cut out Dimensions



- A** Cabinet depth frameless installation style = 25" (635 mm)  
 Cabinet depth inset installation style = 25" (635 mm) + panel thickness
- B** At this point the power cord exits from the appliance rear. 3/4" (19 mm) from the left and 5" (127 mm) from the floor. Free length of the power cord is 98" (2.5 m).
- C** The appliance has a recess in this area for cable and waterline laying. 1" (25 mm) in depth and 5 1/2" (140 mm) in height over the whole width of the appliance.
- D** This surface is visible when the appliance door is open. Designed finish is required.
- E** The anti-tipping bracket is positioned at the base of the appliance and must be secured to the wall or to the floor, please refer to the installation manual for more information.

## Door Panel Dimensions

and dimensions of free length for power

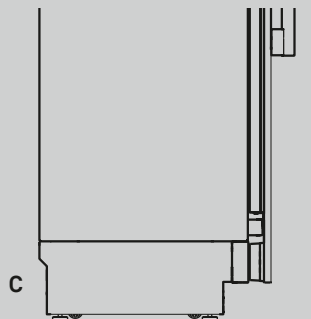


### 36" recess

**Inset installation style**  
 H1 = 49 3/8" (1255 mm)  
 H2 = 30 1/4" (768 mm)  
 HS = 1/4" (6 mm)  
 W = 35 3/4" (908 mm)

**Frameless installation style**  
 H1 = 49 1/2" (1258 mm)  
 Add overlapping dimension to the panel on the top.  
 H2 = 30 1/4" (768 mm)  
 HS = 1/4" (6 mm)  
 W = 36" (914 mm)  
 Add overlapping dimension to the panel on both sides.

Panel thickness: Min. 5/8" (16 mm)\* / Max. 1" (25.4 mm)  
 Panel and handle weight 1: Max. 88 lbs. (40 kg)  
 Panel and handle weight 2: Max. 66 lbs. (30 kg)



\* If a shaker style panel is used, which is thinner than the minum panel thickness, shorter screws than those supplied in the accessory pack must be used.

# 36" Monolith French Door



← 36" →

| MCB 3652                               |                                    |
|--|------------------------------------|
| Energy consumption (kWh / y)           | 561                                |
| Estimated Yearly Energy Cost in US \$  | 67*                                |
| Sound rating dB(A)                     | 40**                               |
| Total capacity cu.ft. (l)              | 14.9 (423)                         |
| Refrigerator capacity cu.ft. (l)       | 8.4 (239)                          |
| BioFresh-Plus compartment cu.ft. (l)   | 3 (86)                             |
| Freezer capacity cu.ft. (l)            | 6.5 (184)                          |
| Number of shelves                      | 3                                  |
| Number of door racks                   | 4                                  |
| Number of freezer drawers              | 2                                  |
| Electronic control                     | InfinitySwipe                      |
| Refrigerator temperature range °F (°C) | +36 °F to +45 °F (+2 °C to +7 °C)  |
| Freezer temperature range °F (°C)      | +7 °F to -17 °F (-14 °C to -27 °C) |
| Defrost type                           | automatic                          |
| Interior light                         | InfinityLight                      |
| Internal Water Dispenser               | InfinitySpring                     |
| Water filter                           | yes                                |
| IceMaker                               | fixed water connection             |
| Ice cube output lbs. (kg) / 24h        | 3.5 (1.6)                          |
| Ice cube stock lbs. (kg)               | 6.6 (3)                            |
| Door hinges                            | left fix / right fix               |
| Product dimensions                     |                                    |
| in inch (H / W / D)                    | 83 3/4" / 35 11/16" / 24"          |
| in cm (H / W / D)                      | 212.6 / 90.6 / 61                  |
| Cut out dimensions                     |                                    |
| in inch (H / W / D)                    | 84" / 36" / 25"                    |
| in cm (H / W / D)                      | 213.4 / 91.4 / 63.5                |
| Net weight lbs. (kg)                   | 418.9 (190)                        |
| Voltage V / Hz                         | 115 / 60                           |

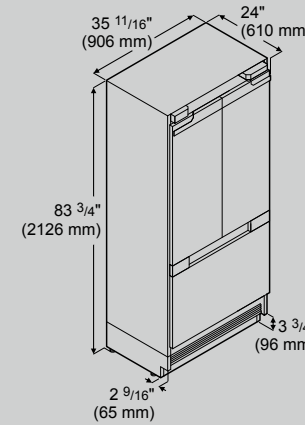
\* Estimated energy cost will depend on utility rates and use.  
 Estimated energy cost based on a national average electricity cost of 12 cents per kWh.  
 \*\* Noise output – according to EN 60704-3.

## Available Accessories

- Stainless steel panel set
- Monolith brushed aluminum square handle
- Monolith stainless steel round handle
- Monolith brushed aluminum soft-edge handle
- Stainless steel Toe Kick

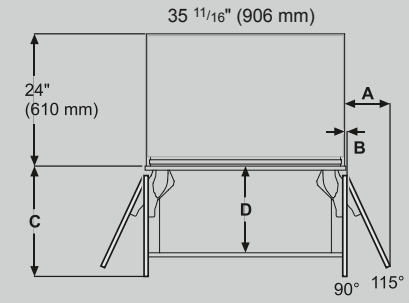
See pages 56–59 for available accessories for single units and Side-by-Side combinations.

## Product Dimensions



**IMPORTANT!**  
 Stated minimum height dimensions include when the leveled feet are fully inserted.

Height can be increased by a maximum of 3/4" (19 mm) by turning the adjustable feet. When the appliance is fitted in the recess, the appliance must be raised by turning the adjustable feet so that the appliance top has contact with the anti-tipping bracket. This results in a 4" (102 mm) Toe Kick height. Width will increase by 1/4" (6.5 mm) when mounting strips are installed.



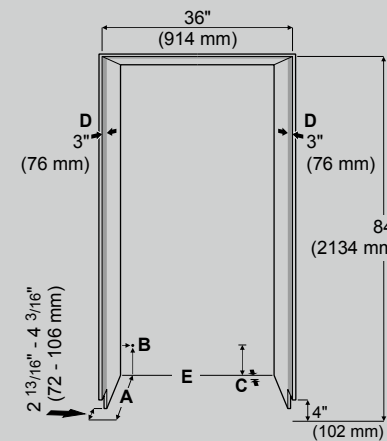
**Inset**  
 A = 8 1/4" (210 mm)  
 B = 1/2" (12.5 mm)  
 C = 20 1/16" (510 mm)

**Frameless**  
 A = 8 1/4" (210 mm)  
 B = 1/2" (12.5 mm)  
 C = 20 1/16" (510 mm)  
 D = 15 3/4" (400 mm)

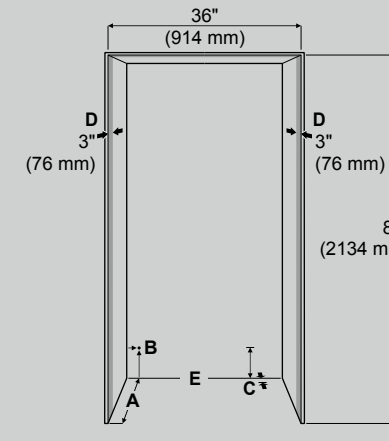
Dimension A = without mounted door handle

## Cut out Dimensions

### Continuous Toe Kick



### Individual Toe Kick



**A**  
 Cabinet depth frameless installation style = 25" (635 mm)  
 Cabinet depth inset installation style = 25" (635 mm) + panel thickness

**B**  
 At this point the power cord exits from the appliance rear. 3/4" (19 mm) from the left and 5" (127 mm) from the floor. Free length of the power cord is 98" (2.5 m).

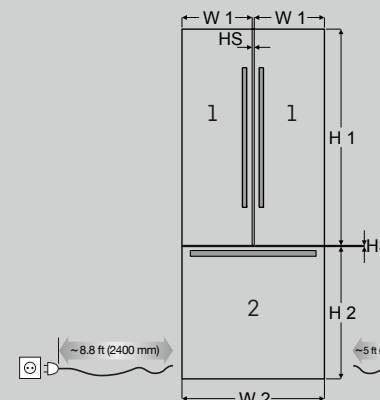
**C**  
 The appliance has a recess in this area for cable and waterline laying. 1" (25 mm) in depth and 5 1/2" (140 mm) in height over the whole width of the appliance.

**D**  
 This surface is visible when the appliance door is open. Designed finish is required.

**E**  
 The anti-tipping bracket is positioned at the base of the appliance and must be secured to the wall or to the floor, please refer to the installation manual for more information.

## Door Panel Dimensions

and dimensions of free length for power



### 36" recess

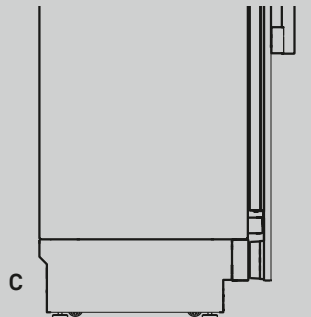
**Inset installation style**  
 H1 = 49 3/8" (1255 mm)  
 H2 = 30 1/4" (768 mm)  
 HS = 1/4" (6 mm)  
 W1 = 17 3/4" (451 mm)  
 W2 = 35 3/4" (908 mm)

### Frameless installation style

H1 = 49 1/2" (1258 mm)  
 Add overlapping dimension to the panel on the top.  
 H2 = 30 1/4" (768 mm)  
 HS = 1/4" (6 mm)  
 W1 = 17 7/8" (454 mm)  
 Add overlapping dimension to the panel on the outer sides.  
 W2 = 36" (914 mm)  
 Add overlapping dimension to the panel on both sides.

Panel thickness: Min. 5/8" (16 mm)\* / Max. 1" (25.4 mm)  
 Panel and handle weight 1: Max. 88 lbs. (40 kg)  
 Panel and handle weight 2: Max. 66 lbs. (30 kg)

\* If a shaker style panel is used, which is thinner than the minum panel thickness, shorter screws than those supplied in the accessory pack must be used.



# Monolith Accessories

01

## Stainless steel panel

The stainless steel panels have pre-drilled holes with spacing of 30 5/16" (770 mm) center on the door.

### Refrigerators & Freezer Columns

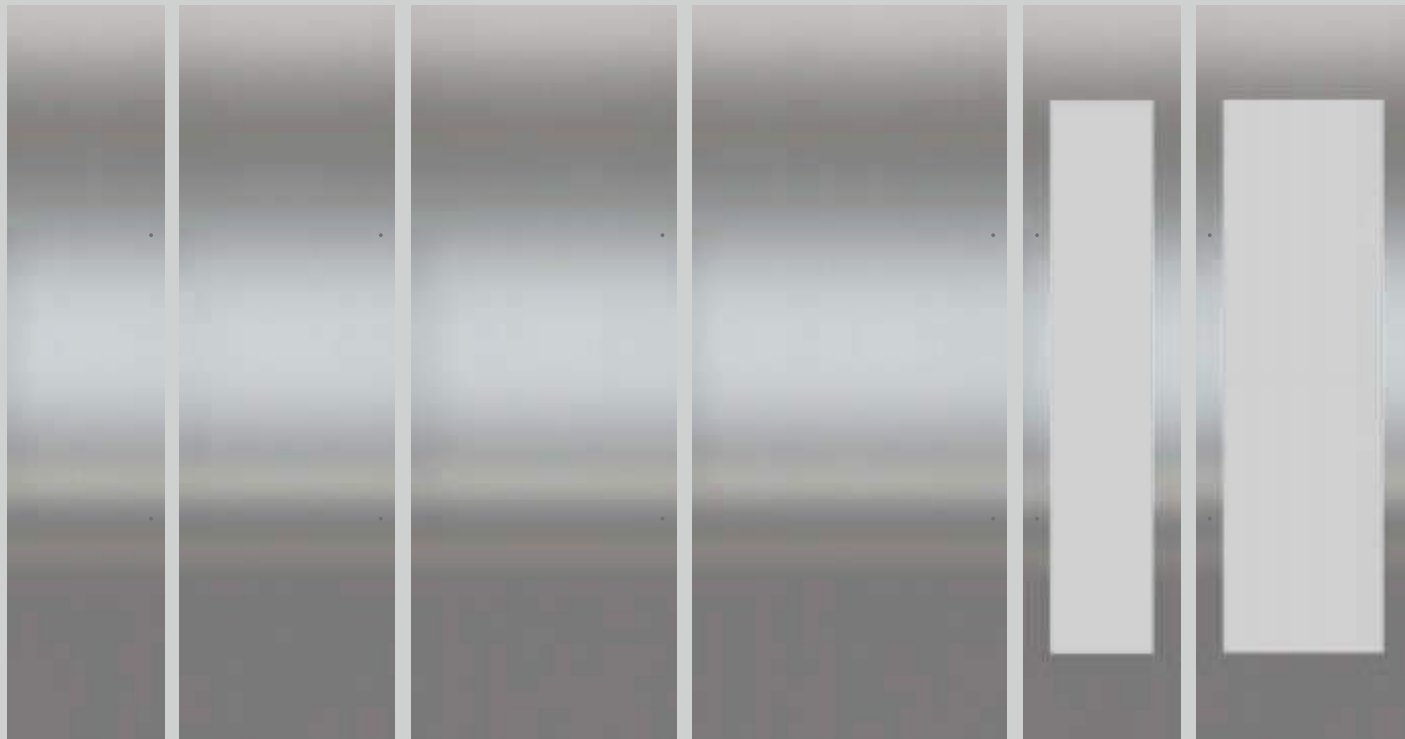
|   |          |
|---|----------|
| 18" (panel dimensions: 17 3/4" x 79 7/8" x 3/4", weight: 40.6 lbs./18.4 kg) | 9901 916 |
| 24" (panel dimensions: 23 3/4" x 79 7/8" x 3/4", weight: 52.9 lbs./24 kg)   | 9901 883 |
| 30" (panel dimensions: 29 3/4" x 79 7/8" x 3/4", weight: 61.7 lbs./28 kg)   | 9901 872 |
| 36" (panel dimensions: 35 3/4" x 79 7/8" x 3/4", weight: 70.5 lbs./32 kg)   | 9901 458 |

### Wine Columns

|   |          |
|---|----------|
| 18" (panel dimensions: 17 3/4" x 79 7/8" x 3/4", weight: 22 lbs./10 kg)     | 9901 535 |
| 24" (panel dimensions: 23 3/4" x 79 7/8" x 3/4", weight: 24.9 lbs./11.3 kg) | 9901 533 |

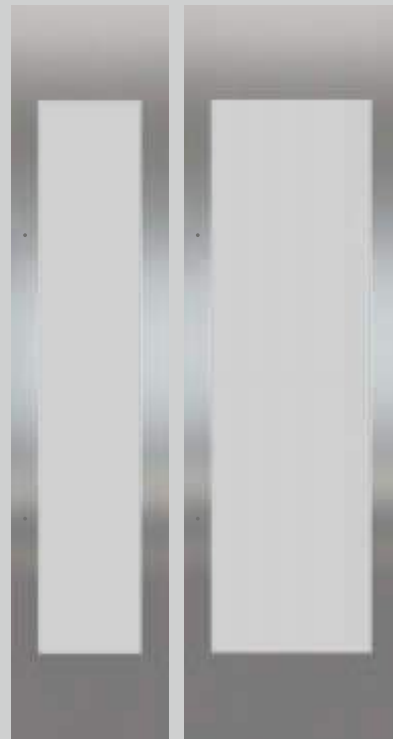
### Refrigerators & Freezer Columns

←18"→   ←24"→   ←30"→   ←36"→



### Wine Columns

←18"→   ←24"→



02

## Stainless steel panel set

The stainless steel panels have pre-drilled holes with spacing of 30 5/16" (770 mm) center on the door and drawer. The stainless steel panel for the freezer drawer of models MCB 3050/3051 has pre-drilled holes with spacing of 24 21/64" (618 mm).

### Bottom Freezers

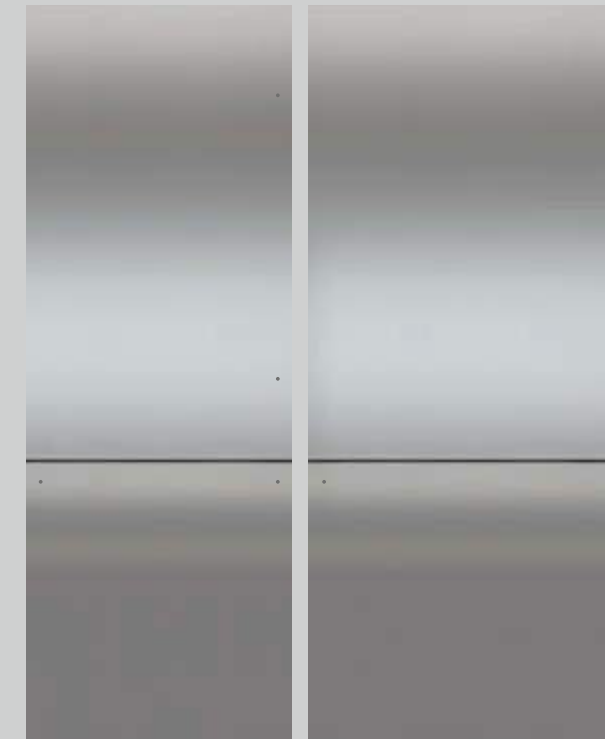
|   |          |
|---|----------|
| 30" (refrigerator door panel dimensions: 29 3/4" x 49 3/8" x 3/4", weight: 39.2 lbs./17.8 kg)<br>(freezer drawer panel dimensions: 29 3/4" x 30 1/4" x 3/4", weight: 24.3 lbs./11 kg)   | 9903 020 |
| 36" (refrigerator door panel dimensions: 35 3/4" x 49 3/8" x 3/4", weight: 47.2 lbs./21.4 kg)<br>(freezer drawer panel dimensions: 35 3/4" x 30 1/4" x 3/4", weight: 30.4 lbs./13.8 kg) | 9903 019 |

### French Door

|   |          |
|---|----------|
| 36" (refrigerator door dimensions of each door: 17 3/4" x 49 3/8" x 3/4", weight per door: 34.3 lbs./11 kg)<br>(freezer drawer panel dimensions: 35 3/4" x 30 1/4" x 3/4", weight: 30.4 lbs./13.8 kg) | 9903 022 |
|---|----------|

### Bottom Freezers

←30"→   ←36"→



### French Door

←36"→



# Monolith Accessories



## 03 Monolith brushed aluminum square handle

Fastening screws are provided. The distance between the two screw holes is 30 5/16" (770 mm), except for the freezer drawer of models MCB 3050/3051 which is 24 21/64" (618 mm). Handle protrudes from panel 1 3/4" (48 mm).

Available for refrigerator columns / freezer columns / wine columns / refrigerator door of MCB 3050/3051, MCB 3650/3651, MCB 3652 / freezer drawer of MCB 3650/3651, MCB 3652 9901 461  
(length: 35 7/8" (810 mm), weight: 1.8 lbs. (0.8 kg))

Available for freezer drawer of MCB 3050/3051 9901 549  
(length: 25 29/32" (658 mm)), weight: 1.9 lbs. (0.9 kg))

## 04 Monolith brushed aluminum soft-edge handle

Fastening screws are provided. The distance between the two screw holes is 30 5/16" (770 mm), except for the freezer drawer of models MCB 3050/3051 which is 24 21/64" (618 mm). Handle protrudes from panel 1 3/4" (48 mm).

Available for refrigerator columns / freezer columns / wine columns / refrigerator door of MCB 3050/3051, MCB 3650/3651, MCB 3652 / freezer drawer of MCB 3650/3651, MCB 3652 9901 492  
(length: 35 7/8" (810 mm), weight: 5.1 lbs. (2.3 kg))

Available for freezer drawer of MCB 3050/3051 9901 924  
(length: 25 29/32" (658 mm), weight: 4.9 lbs. (2.2 kg))

## 05 Monolith stainless steel round handle

Fastening screws are provided. The distance between the two screw holes is 30 5/16" (770 mm), except for the freezer drawer of models MCB 3050/3051 which is 24 21/64" (618 mm). Handle protrudes from panel 1 3/4" (48 mm).

Available for refrigerator columns / freezer columns / wine columns / refrigerator door of MCB 3050/3051, MCB 3650/3651, MCB 3652 / freezer drawer of MCB 3650/3651, MCB 3652 9901 489  
(length: 35 7/8" (810 mm), weight: 2.6 lbs. (1.2 kg))

Available for freezer drawer of MCB 3050/3051 9901 545  
(length: 25 29/32" (658 mm), weight: 1.8 lbs. (0.8 kg))

## 06 Stainless steel Toe Kick

|     |          |
|-----|----------|
| 18" | 9901 493 |
| 24" | 9901 496 |
| 30" | 9901 530 |
| 36" | 9902 349 |
| 42" | 9901 552 |
| 48" | 9901 765 |
| 54" | 9901 787 |
| 60" | 9902 366 |
| 66" | 9902 819 |
| 72" | 9902 390 |



Toe Kicks are 4" (102 mm) high.

## 07 Side-by-Side kit

The Side-by-Side kit includes a side wall heater to prevent condensation, metal brackets with screws, and a finishing strip to fill the gap between the appliances.

Available for all Monolith models 9901 428

## 08 Side wall heater

The side wall heater prevents condensation when installing appliances Side-by-Side but in separate niches, and must be used when having a partition less than 4" (102 mm).

Available for all Monolith models 9903 061

## 09 Reverse door kit

The reverse door kit includes the parts needed and instructions to reverse the door depending on the model from left to right or right to left. Reversals to be performed by a Liebherr Authorized Dealer.

Available for all Monolith models except MCB 3652 9902 399

# Planning Information

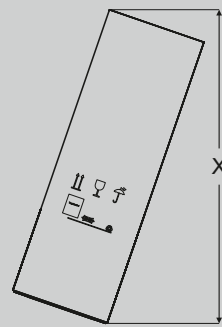
## Area Requirements

Verify the following:

- Floors can support appliance's weight plus approximately 1200 pounds (544 kg) of food weight.
- Finished kitchen floor height is level. Refrigerator must be shimmed to the floor level or leveled to make sure air vents are not obstructed.
- Remove anything attached to the rear or side walls that can obstruct appliance opening.
- Cut out dimensions are accurate.
- Electrical outlet is in correct location.

In order to transport the Monolith to the installation location, the door heights must also be considered on the route taken for transportation with the appliance packed and tilted.

| Model  | Max. height           |
|--|-----------------------|
| MF 1851<br>MF 2451<br>MRB 2400<br>MW 1800<br>MW 1801<br>MW 2400<br>MW 2401 | 94 3/8"<br>(2396 mm)  |
| MF 3051<br>MRB 3000<br>MCB 3050<br>MCB 3051                                | 95 1/16"<br>(2414 mm) |
| MF 3651<br>MRB 3600<br>MCB 3650<br>MCB 3651<br>MCB 3652                    | 97 1/4"<br>(2469 mm)  |



Do not install this unit next to any other refrigerator, freezer or wine column except another Liebherr model. Liebherr models are designed to allow for Side-by-Side installation. They are equipped with a heating system to eliminate condensation when units are installed Side-by-Side. Installing this unit next to any other refrigerator, freezer or wine column can cause condensation or cause damage to the Liebherr unit.

## IMPORTANT

- To protect the refrigerator from possible damage, allow the appliance to stand 1 hour in place before turning the electricity on. This allows the refrigerant and lubrication system to reach equilibrium.
- The anti-tipping bracket must be installed to prevent the unit from tipping after it is installed. Refer to chapter "Blocking For Safety" in the installation instructions.

## Safety Regulations

- The appliances are designed to cool, freeze, store food as well as make ice (if equipped).
- The appliances are manufactured to operate within specific ambient temperature limits according to its climate rating.
- The climate rating indicates the ambient temperature at which the appliance may be operated in order to deliver optimal refrigeration performance.
- The climate rating for all refrigerators and freezers is SN-T where as the climate rating for wine columns is SN-ST.

| Climate Rating | Ambient Temperature              |
|----------------|----------------------------------|
| SN             | 50 °F to 90 °F (10 °C to 32 °C)  |
| N              | 61 °F to 90 °F (16 °C to 32 °C)  |
| ST             | 61 °F to 100 °F (16 °C to 38 °C) |
| T              | 61 °F to 109 °F (16 °C to 43 °C) |
| SN-ST          | 50 °F to 100 °F (10 °C to 38 °C) |
| SN-T           | 50 °F to 109 °F (10 °C to 43 °C) |

## IMPORTANT

Do not operate the appliance outside the specified ambient temperature range.

- Refrigerant circuits are tested for leaks.
- The appliances complies with current safety regulations.

CAN/CSA C22.2 No.60335-1-11  
UL 60335-1 Fifth Edition  
CAN/CSA C22.2 No. 60335-2-24-17  
UL 60335-2-24 Second Edition

## Electrical Requirements & Safety

A 15 amp or 20 amp, 110-120 VAC, circuit which is grounded and protected by a circuit breaker or fuse is required.

We recommend using a dedicated circuit for each appliance to prevent circuit overload and the chance of interruption to the appliance.

The appliances are equipped with a three-prong (grounding) polarized plug for protection against possible shock hazards.

The power plug must be easily accessible so that the appliance can be disconnected quickly in an emergency. It should not be behind the appliance. In case the plug must be located behind the appliance, we recommend the receptacle located a maximum of 6" (154 mm) from the floor.

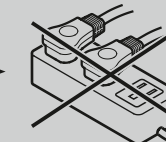
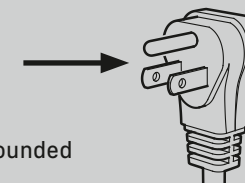
Comply with the National Electrical Code as well as local codes and ordinances when installing the receptacle.

### ⚠ WARNING!

Electrocution hazard.

Electrical grounding required.

- Do not remove the round grounding prong from the plug.
- Do not use extension cords or ungrounded (two-prong) adapters.
- Do not use a power cord that is frayed or damaged.
- Do not use a power strip.



Failure to follow these instructions may result in fire, electrical shock or death.

### ⚠ WARNING!

The refrigerant R600a contained within the appliances is environmentally friendly, but flammable. Leaking refrigerant can ignite.

To prevent possible ignition, designed ventilation is required.

## InfinitySpring (Internal Water Dispenser) and IceMaker (if equipped)

Monolith appliances that are equipped with an InfinitySpring or an IceMaker must be connected to a water supply.

The water pressure must be in the range of 40-90 psi (2.8-6.2 bar).

Use a braided style IceMaker hose with 1/4" compression end or a 1/4" OD copper line to connect the water supply with the solenoid valve of the appliance. This is not supplied with the appliance.

If you have hard water, we recommend you install a water softener. Also, a filter must be installed if the water contains solids such as sand.

All equipment and devices used to supply the water to the appliance must comply with the current regulations for your geographical area.

All models equipped with an InfinitySpring or IceMaker include a water filter located in the front base of the product. Water filters must be replaced periodically. An alarm in the InfinitySwipe will indicate when the water filter must be replaced.

## Safety Instructions and Warnings

- Do not attach the water source while the appliance is connected to an electrical outlet.
- A shut-off valve must be installed between the hose line and the main water supply so that the water supply can be stopped if necessary. Do not install the shut-off valve behind the appliance.
- The connection to the water supply may only be made by a trained and licensed plumber.
- The water quality must comply with the drinking water regulations for the geographical area where the appliance is located.
- The IceMaker is designed exclusively to make ice cubes in quantities needed by a household, and may only be operated with water appropriate for this purpose.
- All repairs and work on the IceMaker may only be done by Customer Service personnel or other trained personnel.
- The manufacturer cannot accept liability for damage caused by equipment or water lines between the solenoid valve and the water supply.

# Installation Dimensions

When planning the cut out, it is essential that the top and side interior walls be flush to the appliance at a minimum depth of 4" (102 mm) from the outer edge of the face frame and composed of thick (5/8" (16 mm) minimum) material for secure installation. Also, because the case interior will be partially visible when the refrigerator door is opened, always ensure that the top and side returns are finished to match the exterior furniture at the same minimum depth of 4" (102 mm).

Monolith columns include a sealing set in order to cleanly close the gaps between appliance and cabinet side walls.

Monolith columns are designed to be fully flush integrated when installed in 25" (635 mm) deep cabinets, by using the stainless steel panels offered as accessories, or custom door panels that perfectly match the rest of kitchen cabinetry.

The typical wood panel thickness is 3/4" (19 mm), however thicker panels or other materials can be used. When using custom panels, always ensure that the panel reverse is finished to match the exterior, as parts of the panel reverse will be visible when the refrigerator door is opened.

When using custom panels, do not exceed the maximum panel weight allowed by the door hinge of the specific column and a panel thickness above 1 3/16" (30 mm).

Monolith columns are designed to fit any type of kitchen cabinetry door installation in 25" (635 mm) depth of the typical North American style.

The cut out is the niche in which a Monolith column is installed. The width of the cut out can be the one of a single column (18", 24", 30", etc.) or the one for a Side-by-Side combination (42", 48", 54", etc.), this will depend on the column models considered.

In the North American style cabinetry, the total depth of the cut out is equal to the depth of the niche plus the face frame. It does not necessarily include the thickness of the door panel, as this will depend on the installation style.

For a standard overlay on an American style cabinet and frameless installation in European style cabinet, use the door panel dimension specified as frameless installation.

For a flush inset installation, use the door panel dimensions of inset installation.

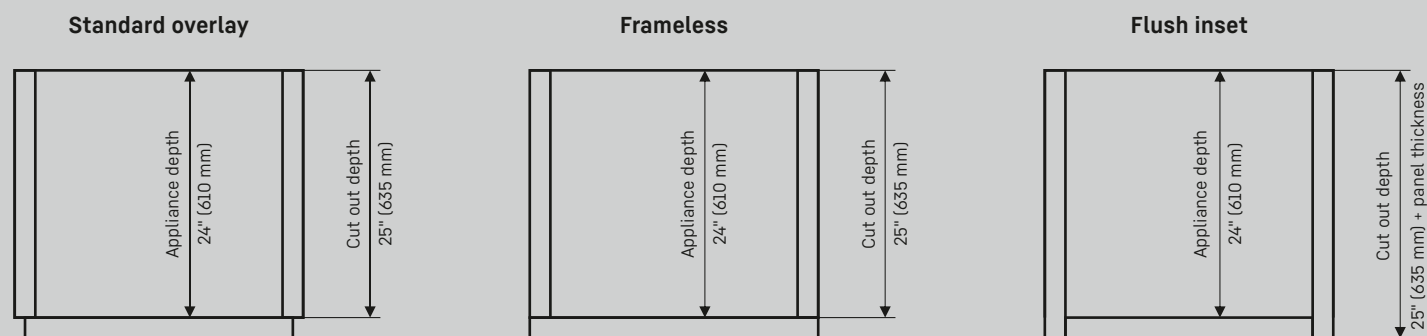
For any other type of installation, please refer to Door Clearance Requirements (page 67) to define the door panel dimensions.

## Door Panel Dimensions and Weights

| Model                                 | H<br>Inset installation style | W<br>Inset installation style | H<br>Frameless installation style | W<br>Frameless installation style | Max. panel weight |
|---------------------------------------|-------------------------------|-------------------------------|-----------------------------------|-----------------------------------|-------------------|
| MRB 2400                              | 79 7/8"<br>(2029 mm)          | 23 3/4"<br>(603 mm)           | 80" <sup>1</sup><br>(2032 mm)     | 24" <sup>2</sup><br>(610 mm)      | 66 lbs. (30 kg)   |
| MRB 3000                              | 79 7/8"<br>(2029 mm)          | 29 3/4"<br>(756 mm)           | 80" <sup>1</sup><br>(2032 mm)     | 30" <sup>2</sup><br>(762 mm)      | 77 lbs. (35 kg)   |
| MRB 3600                              | 79 7/8"<br>(2029 mm)          | 35 3/4"<br>(908 mm)           | 80" <sup>1</sup><br>(2032 mm)     | 36" <sup>2</sup><br>(914 mm)      | 88 lbs. (40 kg)   |
| MF 1851                               | 79 7/8"<br>(2029 mm)          | 17 3/4"<br>(451 mm)           | 80" <sup>1</sup><br>(2032 mm)     | 18" <sup>2</sup><br>(457 mm)      | 55 lbs. (25 kg)   |
| MF 2451                               | 79 7/8"<br>(2029 mm)          | 23 3/4"<br>(603 mm)           | 80" <sup>1</sup><br>(2032 mm)     | 24" <sup>2</sup><br>(610 mm)      | 66 lbs. (30 kg)   |
| MF 3051                               | 79 7/8"<br>(2029 mm)          | 29 3/4"<br>(756 mm)           | 80" <sup>1</sup><br>(2032 mm)     | 30" <sup>2</sup><br>(762 mm)      | 77 lbs. (35 kg)   |
| MF 3651                               | 79 7/8"<br>(2029 mm)          | 35 3/4"<br>(908 mm)           | 80" <sup>1</sup><br>(2032 mm)     | 36" <sup>2</sup><br>(914 mm)      | 88 lbs. (40 kg)   |
| MW 1800/1801                          | 79 7/8"<br>(2029 mm)          | 17 3/4"<br>(451 mm)           | 80" <sup>1</sup><br>(2032 mm)     | 18" <sup>2</sup><br>(457 mm)      | 52 lbs. (24 kg)   |
| MW 2400/2401                          | 79 7/8"<br>(2029 mm)          | 23 3/4"<br>(603 mm)           | 80" <sup>1</sup><br>(2032 mm)     | 24" <sup>2</sup><br>(610 mm)      | 52 lbs. (24 kg)   |
| MCB 3050/3051 refrigerator door       | 49 3/8"<br>(1255 mm)          | 29 3/4"<br>(756 mm)           | 49 1/2" <sup>1</sup><br>(1258 mm) | 30" <sup>2</sup><br>(762 mm)      | 77 lbs. (35 kg)   |
| MCB 3050/3051 freezer drawer          | 30 3/4"<br>(768 mm)           | 29 3/4"<br>(756 mm)           | 30 3/4" <sup>1</sup><br>(768 mm)  | 30" <sup>2</sup><br>(762 mm)      | 55 lbs. (25 kg)   |
| MCB 3650/3651 refrigerator door       | 49 3/8"<br>(1255 mm)          | 35 3/4"<br>(908 mm)           | 49 1/2" <sup>1</sup><br>(1258 mm) | 36" <sup>2</sup><br>(914 mm)      | 88 lbs. (40 kg)   |
| MCB 3650/3651 freezer drawer          | 30 3/4"<br>(768 mm)           | 35 3/4"<br>(908 mm)           | 30 3/4" <sup>1</sup><br>(768 mm)  | 36" <sup>2</sup><br>(914 mm)      | 66 lbs. (30 kg)   |
| MCB 3652 refrigerator door (per door) | 49 3/8"<br>(1255 mm)          | 17 3/4"<br>(451 mm)           | 49 1/2" <sup>1</sup><br>(1258 mm) | 17 7/8" <sup>2</sup><br>(454 mm)  | 88 lbs. (40 kg)   |
| MCB 3652 freezer drawer               | 30 3/4"<br>(768 mm)           | 35 3/4"<br>(908 mm)           | 30 3/4" <sup>1</sup><br>(768 mm)  | 36" <sup>2</sup><br>(914 mm)      | 66 lbs. (30 kg)   |

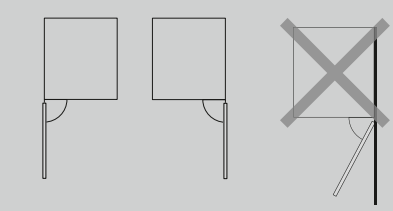
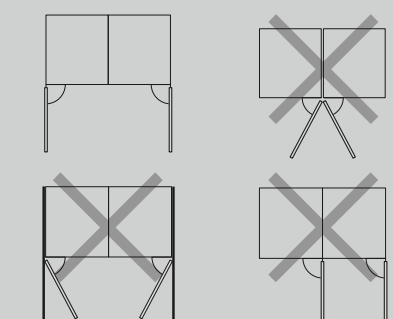
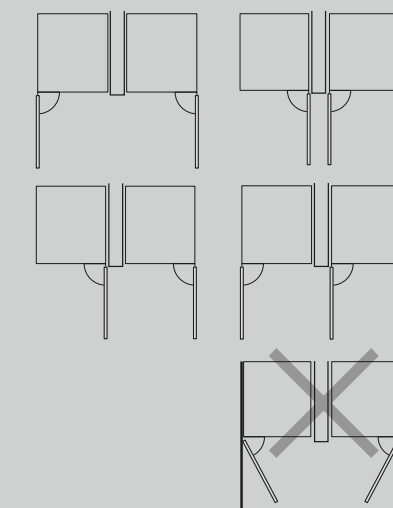
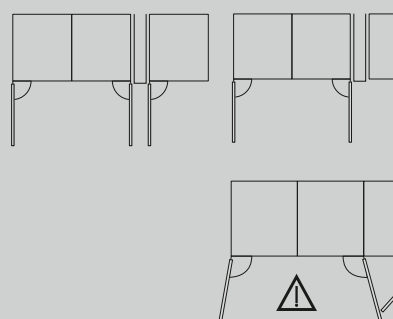
<sup>1</sup> Not considering overlapping of the panel at the top.

<sup>2</sup> Not considering overlapping of the panel to the right and left.





# Installation Options

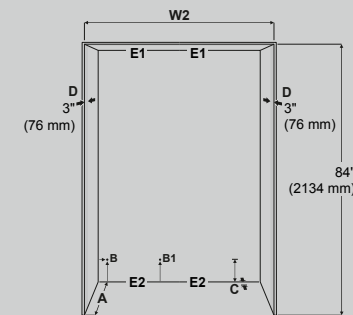
| Recommended Installations  | Considerations  |
|--|---|
| <p><b>Stand-alone</b></p>                             | <p>All Monolith appliances can be installed as a left-hinge or right-hinge stand-alone unit. When dimensioning the cabinet, include the thickness of the door panel and handle (see page 67, Door Clearance Requirements).</p> <p>Ensure the Monolith appliance is installed so the door has clearance from any adjacent wall or any kitchen element.</p>   |
| <p><b>Side-by-Side within one cabinet</b></p>         | <p>Monolith appliances can be installed Side-by-Side within one cabinet by installing a Side-by-Side kit, which must be purchased separately. When dimensioning the cabinet, include the thickness of the door panel and handle (see page 67, Door Clearance Requirements).</p> <p>During design and installation, please take into account the layout of left and right hinged appliances without the risk of door opening collision.</p> <p>Ensure that the Monolith appliances are installed in such a way that the doors do not interfere with any adjacent wall or any kitchen element.</p>  |
| <p><b>Side-by-Side within separate cabinets</b></p>  | <p>Monolith appliances can be installed Side-by-Side within separate cabinets. If the panel between the cabinet is less than 4" (102 mm) a side wall heater is required. The heater must be ordered separately.</p> <p>When dimensioning the cabinet, include the thickness of the door panel and handle, in order to prevent any door opening collision (see page 67, Door Clearance Requirements).</p> <p>A minimum partition of 6" (154 mm) width is required to ensure that handles do not collide when doors are opened centered towards each other or facing each other.</p> <p>Ensure that the Monolith appliances are installed so the doors have clearance from any adjacent wall or kitchen element.</p>  |
| <p><b>Triple Side-by-Side</b></p>                   | <p>When combining more than two Monoliths together there are different installation options:</p> <p>(A) A panel with a minimum thickness of 5/8" (16 mm) can be used between the third appliance and the kitted together pair. Using a 5/8" (16 mm) panel, requires a side wall heater between units. Note there will be door interference with this set up.</p> <p>(B) A minimum partition of 4" (102 mm) width is required to ensure that handles do not collide when doors are opened in the same direction or 6" (154 mm) width is required to ensure that handles do not collide when doors are opened centered towards each other.</p> <p>(C) It is possible to install three units using two Side-by-Side kits. This is not a recommended configuration, as there will be door interference and potential door panel damage (right side door cannot be open or closed while middle door is open). Although the use of stainless steel panels offers a true Side-by-Side integrated look, always consider door interference and potential door panels and/or handles damage.</p> <p>It is recommended that a 90° door limiter be used on all center appliances to minimize interference between doors and handles and potential damage.</p> |

# Side-by-Side Installation

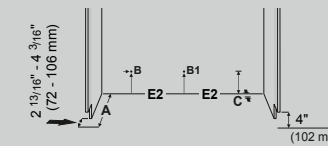
## Cut out dimensions for Side-by-Side installation with two appliances

The cut out width for the Side-by-Side combinations is defined by adding the single width of each of the models in the combination.

### Individual to the niche



### Continuous along the wall

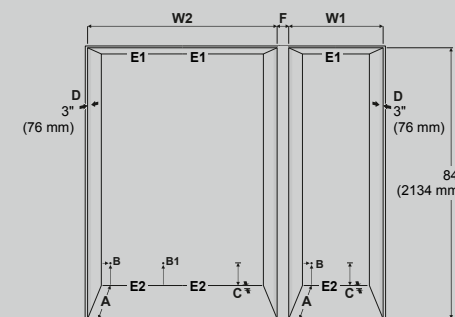


| W2            |
|---------------|
| 42" (1067 mm) |
| 48" (1219 mm) |
| 54" (1372 mm) |
| 60" (1524 mm) |
| 66" (1676 mm) |
| 72" (1829 mm) |

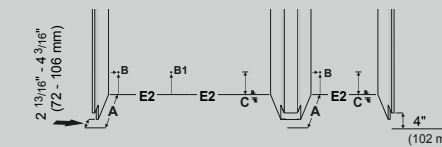
## Cut out dimensions for Side-by-Side installation with three or more appliances

The cut out width for the Side-by-Side combination of more than two units is defined adding the width of the two units attached Side-by-Side plus a partition plus the width of the single unit.

### Individual to the niche



### Continuous along the wall



| W2            | W1           |
|---------------|--------------|
| 42" (1067 mm) | 18" (457 mm) |
| 48" (1219 mm) | 24" (610 mm) |
| 54" (1372 mm) | 30" (762 mm) |
| 60" (1524 mm) | 36" (914 mm) |
| 66" (1676 mm) |              |
| 72" (1829 mm) |              |

**A** Cabinet depth frameless installation style = 25" (635 mm). Cabinet depth inset installation style = 25" (635 mm) + panel thickness.

**B** At this point the power cord exits from the appliance rear. 3/4" (19 mm) from the left and 5" (127 mm) from the floor. Free length of the power cord is 98" (2.5 m).

**B1** Please refer to the specific models to be installed in the combination for a precise location of this point for each model (see product pages).

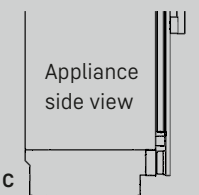
**C** The appliance has a recess in this area for cable and waterline laying. 1" (25 mm) in depth and 5 1/2" (140 mm) in height over the whole width of the appliance.

**D** This surface is visible when the appliance door is open. Designed finish is required.

**E1, E2** Depending on the appliance, the anti-tipping bracket is positioned at the top (E1) or base (E2) of the appliance and must be secured to the wall or to the floor, please refer to the installation manual for more information.

**F** A minimum partition of 5/8" (16 mm) width is required when the installation type with a separate recess for additional appliance is applied. Note, there will be door interference with this set up. A minimum partition of 4" (102 mm) width is required to ensure that handles do not collide when doors are opened in the same direction. A minimum partition of 6" (154 mm) width is required to ensure that handles do not collide when doors are opened centered towards each other and 90° door limiter (included in scope of supply) is applied at the same time.

**W1, W2** Width of one or two appliances.



# Toe Kick and Ventilation Requirements

All Monolith ventilation takes place through the Toe Kick area. Door panels must be a minimum of 4" (102 mm) above the floor. Do not block grill in Toe Kick area.

Liebherr offers a 4" (102 mm) tall Toe Kick matching the width of the Monolith columns, and possible Side-by-Side combinations, as an accessory. Please refer to page 59 for Toe Kick accessories ranging from 18" to 72" width.

The Monolith appliance comes with dividers that must be installed on the appliance and onto the door, in order to separate the warm exhaust air from the fresh incoming air.



# Door Clearance Requirements

Monolith appliances are to be installed so the doors (including handles) and adjacent cabinets, countertops, walls, or other kitchen elements do not collide with one another when doors open.

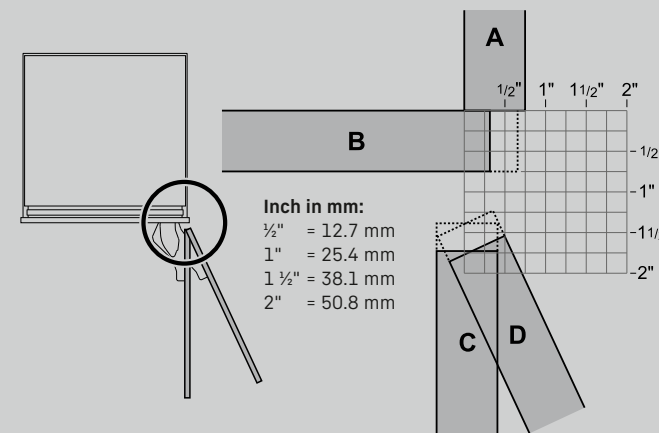
In case the door hits the wall or other cabinet, a door limiter of 90° is included with the appliance. The door opening angle is set to 115° at the plant, but this can be reduced to 90° by simply inserting the stable pin in the hinge.

Additional solutions include:

- Reduce the door panel thickness if it is larger than 3/4" (19 mm).
- Rearrange the element that is colliding with the appliance.
- Use a bumper or stopper to prevent the door from damaging the adjoining wall or cabinet.

## Panel clearance

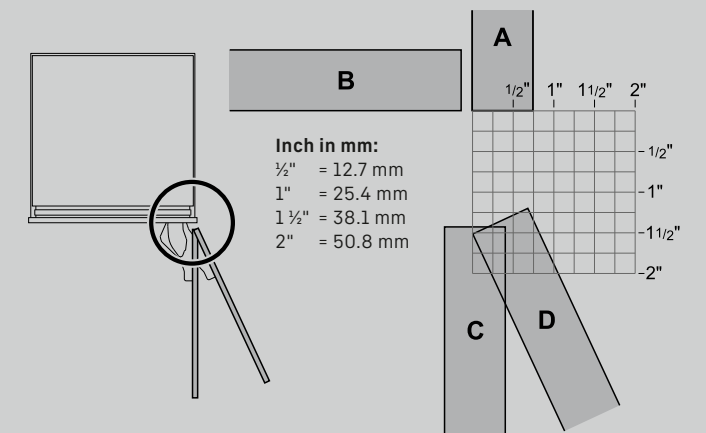
Frameless installation style  
Panel thickness 3/4" (19 mm)  
Top view



- A = 3/4" (19 mm) gable
- B = Front panel door closed. 5/16" (8 mm) overlapping. Dash line shows an overlapping of 7/8" (22 mm). This overlapping is solely if the appliance is at the end of a line of cabinets.
- C = Front panel 90°
- D = Front panel at max. door opening angle of 115°

## Panel clearance

Panel thickness 3/4" (19 mm)  
Top view



- A = Appliance housing
- B = Front panel door closed
- C = Front panel 90°
- D = Front panel at max. door opening angle of 115°

## IMPORTANT

The gap between the appliance front panel and the surrounding furniture panels must be at least 1/8" (3 mm).

[home.liebherr.com/monolith](https://home.liebherr.com/monolith)

Subject to modification. For up-to-date information, visit [home.liebherr.com/monolith](https://home.liebherr.com/monolith).