

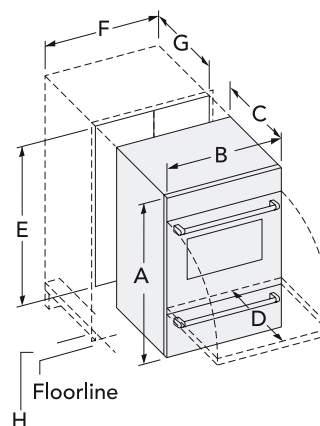


Masterpiece Series stainless steel combination oven with True Convection oven and a warming drawer.

FEATURES & BENEFITS

- Modern styling coordinates with other Masterpiece Collection products
- Superfast preheat cycle heats oven cavity in about 7 minutes
- Massive 4.7 cu. ft. oven cavity
- Concealed bake element for enlarged capacity
- New True Convection baffle system directs heat precisely and evenly
- New Speed Convection mode reduces cooking time up to 30%
- 16 different cooking modes including EasyCook, which offers 20 pre-stored recipes
- Save your favorite recipes with the Favorites feature
- Ball bearing full-extension telescopic rack
- Integrated warming drawer with touch control and color display
- Easy installation in one cabinet cutout

SKU	MEW301E
Size	30"
Type	Double Combination
Color-Stainless Steel	MEW301ES
Color-Black	-
Color-White	-
Cavity Size*	4.7 cu. ft.
Control	GlassTouch Control
Display	Blue Full-Text
COMBINATION	
Warming Drawer	■
MAIN FEATURES	
Masterpiece Design	■
True Convection	■
Convection Bake, Broil, Roast	■
Bake, Broil, Roast	■
Speed Convection	■
Proof	■
Warm	■
Fast Preheat	■
Dehydrate	■
Meat Probe	■
Sabbath Mode	■
Panel Lock	■
Self-Clean	■
Self-Clean Rack Supports	■
Full Access® Telescopic Racks**	1
Professional-Style Racks	2
Porcelain Broiler Pan	■
Halogen Lighting Per Cavity	3
Concealed Bake Element	■



Model No.	Overall Dimensions				Cutout Dimensions***				Door Handle Projection	Dual-Rated 120/208-240V, 4 Wire, 60 Hz.	Amps
	A	B	C	D	E	F	G	H			
Masterpiece											
MEW301E	40 ⁷ / ₁₆	29 ³ / ₄	23 ⁷ / ₈	22	40	28 ¹ / ₂	24	4 ³ / ₄ min	3 ¹¹ / ₁₆	■	40

BSH reserves the absolute and unrestricted right to change product materials and specifications, at any time, without notice. Consult the product's installation instructions for final dimensional data and other details. Applicable product warranty can be found in accompanying product literature (or you may contact your account manager for further details). **Notes:** All height, width and depth dimensions are shown in inches. *According to AHAM standards. **Available as separate accessory: TLSCPRCK30" for a 30" oven and TLSCPRCK27 for a 27" oven. ***Please refer to installation instructions prior to making cutout.