

BUILT-IN OVENS

27-INCH TRIPLE COMBINATION

MEDMCW71JS

INSTALLATION OPTIONS

WALL-MOUNTED INSTALLATION

Thermador 27-inch Triple Combination Ovens may be installed in a wall cabinet that is a minimum of 24" deep and 27" wide. The cabinet base must be flat and capable of supporting a weight of at least 369 lbs. (167 kg).

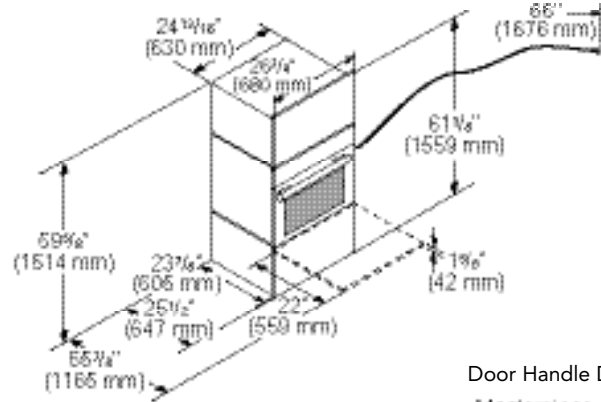
IMPORTANT

When a Thermador Oven is installed at the end of a cabinet run, adjacent to a perpendicular wall or cabinet door, it is good practice to allow at least 1/4" space between the side of the oven and the wall or door.

For oven support, install 2 x 4's extending front to back flush with the bottom and the side of the opening. The supporting base must be well secured to the floor/cabinet and level.

The cabinet base must be flat and capable of supporting a weight of at least 369 lbs. (167 kg) for a 27-inch triple combination oven.

27-INCH TRIPLE COMBINATION OVEN WITH MICROWAVE

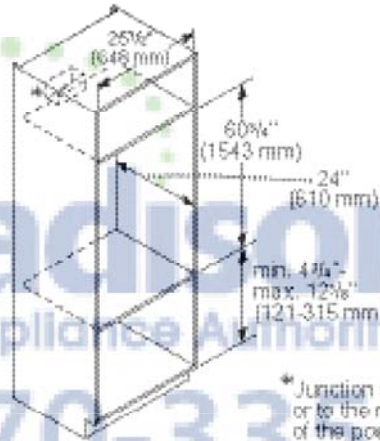


Door Handle Depth*

Masterpiece Handle



*Protrusion of handle from outer part of door. Does not include thickness of door



*Junction box may be installed above, or to the right of the unit within range of the power cable.

