

Electric Dryer Installation Instructions

Table of Contents

DRYER SAFETY	2
INSTALLATION REQUIREMENTS.....	3
Tools and Parts	3
LOCATION REQUIREMENTS	4
ELECTRICAL REQUIREMENTS.....	5
INSTALL LEVELING LEGS.....	6
ELECTRICAL CONNECTION	7
VENTING.....	12
Venting Requirements	12
Plan Vent System	13
Install Vent System	15
CONNECT INLET HOSES.....	15
CONNECT VENT	17
LEVEL DRYER.....	17
COMPLETE INSTALLATION CHECKLIST	18
REVERSE DOOR SWING.....	18
TROUBLESHOOTING	19

Para obtener acceso al manual de uso y cuidado en español, o para obtener información adicional acerca de su producto, visite: www.whirlpool.com

Tenga listo su número de modelo completo. Puede encontrar el número de modelo y de serie dentro de la cavidad superior de la puerta.

INSTALLATION NOTES

Date of purchase: _____

Date of installation: _____

Installer: _____

Model number: _____

Serial number: _____

DRYER SAFETY

Your safety and the safety of others are very important.

We have provided many important safety messages in this manual and on your appliance. Always read and obey all safety messages.



This is the safety alert symbol.

This symbol alerts you to potential hazards that can kill or hurt you and others.

All safety messages will follow the safety alert symbol and either the word “DANGER” or “WARNING.”

These words mean:

⚠ DANGER

You can be killed or seriously injured if you don't immediately follow instructions.

⚠ WARNING

You can be killed or seriously injured if you don't follow instructions.

All safety messages will tell you what the potential hazard is, tell you how to reduce the chance of injury, and tell you what can happen if the instructions are not followed.



WARNING - “Risk of Fire”

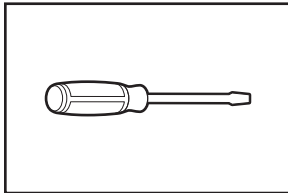
- Clothes dryer installation must be performed by a qualified installer.
- Install the clothes dryer according to the manufacturer's instructions and local codes.
- Do not install a clothes dryer with flexible plastic venting materials or flexible metal (foil type) duct. If flexible metal duct is installed, it must be of a specific type identified by the appliance manufacturer as suitable for use with clothes dryers. Flexible venting materials are known to collapse, be easily crushed, and trap lint. These conditions will obstruct clothes dryer airflow and increase the risk of fire.
- To reduce the risk of severe injury or death, follow all installation instructions.
- Save these instructions.

INSTALLATION REQUIREMENTS

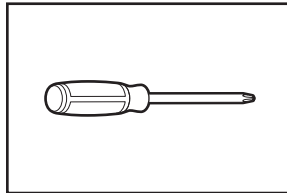
TOOLS AND PARTS

Gather the required tools and parts before starting installation. Read and follow the instructions provided with any tools listed here.

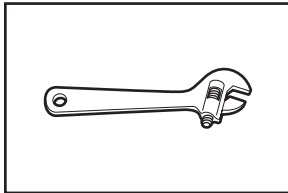
Tools needed:



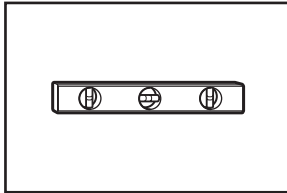
Flat-blade screwdriver



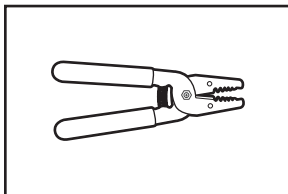
#2 Phillips screwdriver



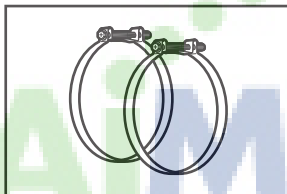
Adjustable wrench that opens to 1" (25 mm) or hex-head socket wrench



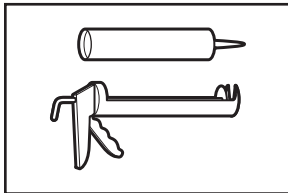
Level



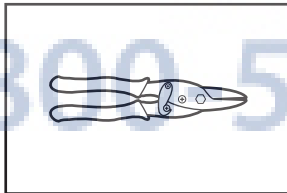
Wire stripper (direct wire installations)



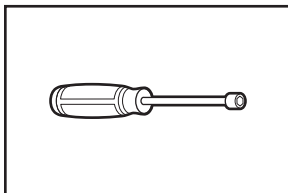
Vent clamps



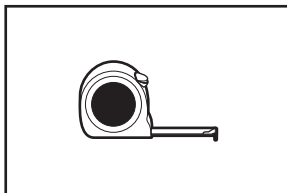
Caulking gun and compound (for installing new exhaust vent)



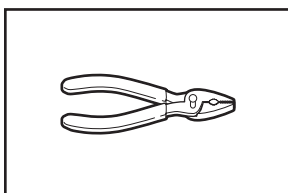
Tin snips (new vent installations)



1/4" nut driver (recommended)

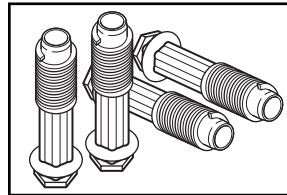


Tape measure



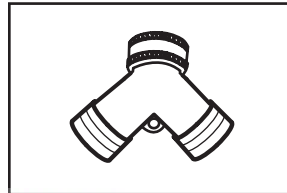
Pliers

Parts supplied (all models):

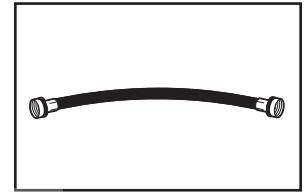


Leveling legs (4)

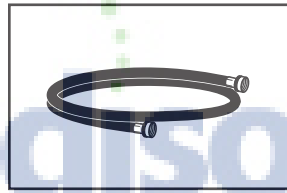
Parts supplied (steam models):



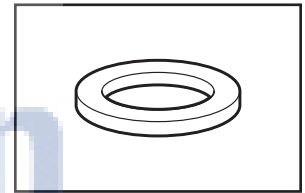
"Y" connector



Short inlet hose



5' (1.52 m) inlet hose



Rubber washer

Parts package is located in dryer drum. Check that all parts are included.

Parts needed: (Not supplied with dryer)

Check local codes. Check existing electrical supply and venting. See "Electrical Requirements" and "Venting Requirements" before purchasing parts.


Mobile home installations require metal exhaust system hardware available for purchase from the dealer from whom you purchased your dryer. For further information, please refer to the "Assistance or Service" section in your "Use and Care Guide."

Optional Equipment: (Not supplied with dryer)

Refer to your "Use and Care Guide" for information about accessories available for your dryer.

LOCATION REQUIREMENTS

⚠ WARNING



Explosion Hazard

Keep flammable materials and vapors, such as gasoline, away from dryer.

Place dryer at least 18 inches (460 mm) above the floor for a garage installation.

Failure to do so can result in death, explosion, or fire.

You will need:

- A location allowing for proper exhaust installation. See “Venting Requirements.”
- A separate 30 amp circuit.
- If using power supply cord, a grounded electrical outlet located within 2 ft. (610 mm) of either side of dryer.
- Floor must support dryer weight of 200 lbs. (90.7 kg). Also consider weight of companion appliance.
- Level floor with maximum slope of 1" (25 mm) under entire dryer. If slope is greater than 1" (25 mm), clothes may not tumble properly and automatic sensor cycles may not operate correctly.
- For a garage installation, place dryer at least 18" (457 mm) above floor.
- Steam models only: Cold water faucets located within 4 ft. (1.2 m) of the water fill valves, and water pressure of 20-100 psi (137.9-689.6 kPa). You may use the water supply for your washer using the “Y” connector and short hose (if needed) which are provided.

For each arrangement, consider allowing more space for ease of installation and servicing; spacing for companion appliances and clearances for walls, doors, and floor moldings. Space must be large enough to allow door to fully open. Add spacing on all sides of dryer to reduce noise transfer. If a closet door or louvered door is installed, top and bottom air openings in door are required.

IMPORTANT: Do not operate, install, or store dryer where it will be exposed to water, weather, or at temperatures below 45° F (7° C). Lower temperatures may cause dryer not to shut off at end of automatic sensor cycles, resulting in longer drying times.

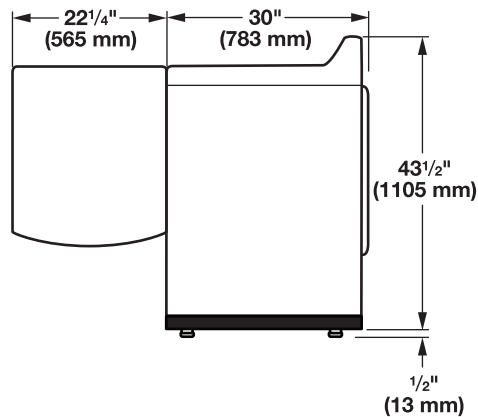
Check code requirements. Some codes limit, or do not permit, installing dryer in garages, closets, mobile homes, or sleeping quarters. Contact your local building inspector.

INSTALLATION CLEARANCES

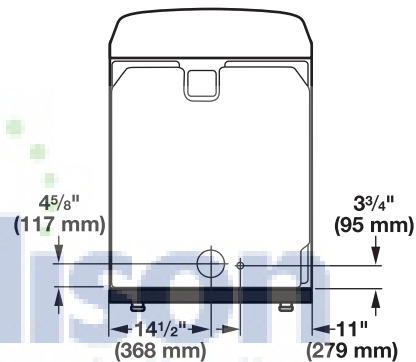
Location must be large enough to allow dryer door to open fully.

DRYER DIMENSIONS

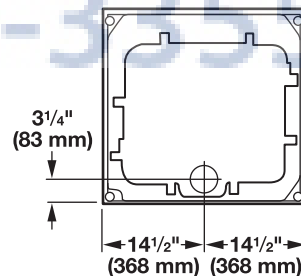
Side view with open door dimensions:



Back view:



Bottom view:

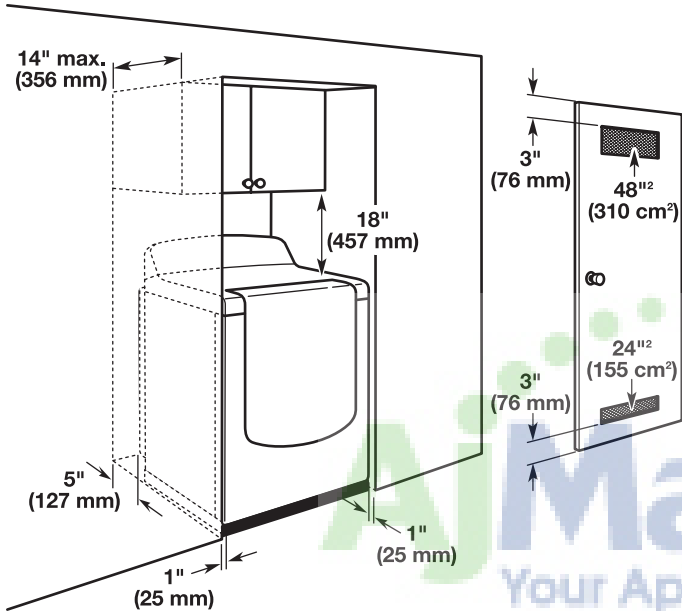


NOTE: Most installations require a minimum of 5" (127 mm) clearance behind dryer for exhaust vent with elbow. See “Venting Requirements.”

Spacing for recessed area or closet installation

All dimensions show recommended spacing allowed, with tested spacing of 0" (0 mm) clearance on sides and rear.

- Additional spacing should be considered for ease of installation and servicing.
- Additional clearances might be required for wall, door, and floor moldings.
- Additional spacing should be considered on all sides of the dryer to reduce noise transfer.
- For closet installation, with a door, minimum ventilation openings in the top and bottom of the door are required. Louvered doors with equivalent ventilation openings are acceptable.
- Companion appliance spacing should also be considered.



Mobile home - Additional installation requirements:

This dryer is suitable for mobile home installations. The installation must conform to the Manufactured Home Construction and Safety Standard, Title 24 CFR, Part 3280 (formerly the Federal Standard for Mobile home construction and Safety, Title 24, HUD Part 280) or Standard CAN/CSA-Z240 MH.

Mobile home installations require:

- Metal exhaust system hardware, available for purchase from your dealer. For further information, see "Assistance or Service" section in your "Use and Care Guide."
- Special provisions must be made in mobile homes to introduce outside air into dryer. Openings (such as a nearby window) should be at least twice as large as dryer exhaust opening.

ELECTRICAL REQUIREMENTS

It is your responsibility:

- To contact a qualified electrical installer.
- To be sure that the electrical connection is adequate and in conformance with the National Electrical Code, ANSI/NFPA 70 - latest edition and all local codes and ordinances.

The National Electrical Code requires a 4-wire power supply connection for homes built after 1996, dryer circuits involved in remodeling after 1996, and all mobile home installations.

A copy of the above code standards can be obtained from: National Fire Protection Association, One Batterymarch Park, Quincy, MA 02269.

- To supply the required 3 or 4 wire, single phase, 120/240 volt, 60 Hz, AC only electrical supply (or 3 or 4 wire, 120/208 volt electrical supply, if specified on the serial/rating plate) on a separate 30-amp circuit, fused on both sides of the line. Connect to an individual branch circuit. Do not have a fuse in the neutral or grounding circuit.
- Do not use an extension cord.
- If codes permit and a separate ground wire is used, it is recommended that a qualified electrician determine that the ground path is adequate.

Electrical Connection

To properly install your dryer, you must determine the type of electrical connection you will be using and follow the instructions provided for it here.

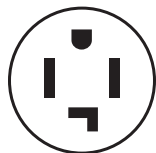
- This dryer is manufactured ready to install with a 3-wire electrical supply connection. The neutral ground conductor is permanently connected to the neutral conductor (white wire) within the dryer. If the dryer is installed with a 4-wire electrical supply connection, the neutral ground conductor must be removed from the external ground connector (green screw), and secured under the neutral terminal (center or white wire) of the terminal block. When the neutral ground conductor is secured under the neutral terminal (center or white wire) of the terminal block, the dryer cabinet is isolated from the neutral conductor.
- If local codes do not permit the connection of a neutral ground wire to the neutral wire, see "Optional 3-wire connection" section.
- A 4-wire power supply connection must be used when the appliance is installed in a location where grounding through the neutral conductor is prohibited. Grounding through the neutral is prohibited for (1) new branch-circuit installations, (2) mobile homes, (3) recreational vehicles, and (4) areas where local codes prohibit grounding through the neutral conductors.

If using a power supply cord:

Use a UL listed power supply cord kit marked for use with clothes dryers. The kit should contain:

- A UL listed 30-amp power supply cord, rated 120/240 volt minimum. The cord should be type SRD or SRDT and be at least 4 ft. (1.22 m) long. The wires that connect to the dryer must end in ring terminals or spade terminals with upturned ends.
- A UL listed strain relief.

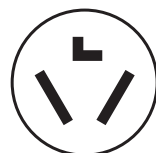
If your outlet looks like this:



4-wire
receptacle
(14-30R)

Then choose a 4-wire power supply cord with ring or spade terminals and UL listed strain relief. The 4-wire power supply cord, at least 4 ft. (1.22 m) long, must have 4 10-gauge solid copper wires and match a 4-wire receptacle of NEMA Type 14-30 R. The ground wire (ground conductor) may be either green or bare. The neutral conductor must be identified by a white cover.

If your outlet looks like this:



3-wire
receptacle
(10-30R)

Then choose a 3-wire power supply cord with ring or spade terminals and UL listed strain relief. The 3-wire power supply cord, at least 4 ft. (1.22 m) long, must have 3 10-gauge solid copper wires and match a 3-wire receptacle of NEMA Type 10-30R.

If connecting by direct wire:

Power supply cable must match power supply (4-wire or 3-wire) and be:

- Flexible armored cable or nonmetallic sheathed copper cable (with ground wire), covered with flexible metallic conduit. All current-carrying wires must be insulated.
- 10-gauge solid copper wire (do not use aluminum) at least 5 ft. (1.52 m) long.

GROUNDING INSTRUCTIONS

- For a grounded, cord-connected dryer:
This dryer must be grounded. In the event of malfunction or breakdown, grounding will reduce the risk of electric shock by providing a path of least resistance for electric current. This dryer uses a cord having an equipment-grounding conductor and a grounding plug. The plug must be plugged into an appropriate outlet that is properly installed and grounded in accordance with all local codes and ordinances.
- For a permanently connected dryer:
This dryer must be connected to a grounded metal, permanent wiring system, or an equipment-grounding conductor must be run with the circuit conductors and connected to the equipment-grounding terminal or lead on the dryer.

WARNING: Improper connection of the equipment-grounding conductor can result in a risk of electric shock. Check with a qualified electrician or service representative or personnel if you are in doubt as to whether the dryer is properly grounded. Do not modify the plug on the power supply cord: if it will not fit the outlet, have a proper outlet installed by a qualified electrician.

SAVE THESE INSTRUCTIONS

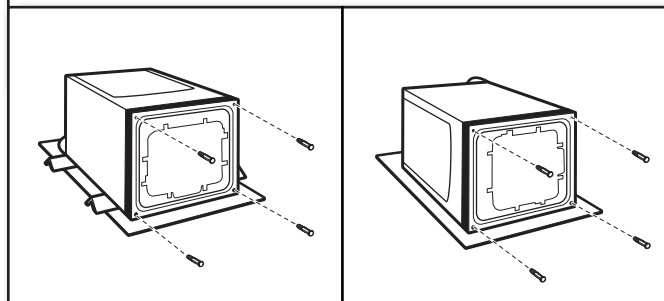
INSTALL LEVELING LEGS

⚠ WARNING

Excessive Weight Hazard

Use two or more people to move and install dryer.
Failure to do so can result in back or other injury.

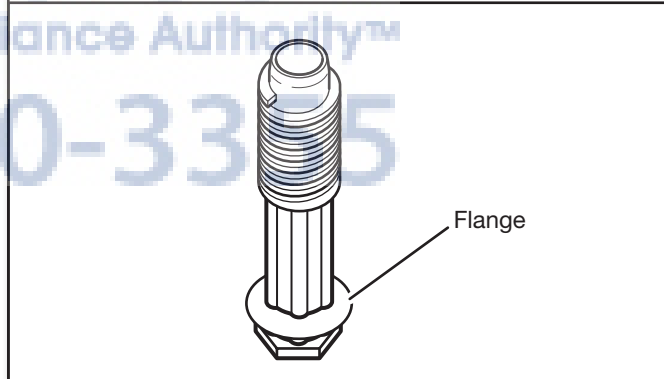
1. Prepare dryer for leveling legs



To avoid damaging floor, use a large flat piece of cardboard from dryer carton; place under entire dryer. Firmly grasp dryer body (not console panel) and gently lay dryer down on cardboard.

IMPORTANT: If laying dryer on its back, use the cardboard corner posts the dryer was packed with to avoid damaging the back of the dryer. Lay the dryer on its side if you do not have the cardboard corner posts the dryer was packed with.

2. Screw in leveling legs



Examine leveling legs. Using a wrench, screw legs into leg holes until foot flange touches the base. Foot is fully installed when bottom of foot is approximately 1/2" (13 mm) from bottom of dryer.

Now stand the dryer on its legs. Slide the dryer until it is close to its final location. Leave enough room for electrical connection and to connect the exhaust vent.

ELECTRICAL CONNECTION

Power Supply Cord

⚠ WARNING



Fire Hazard

Use a new UL listed 30 amp power supply cord.

Use a UL listed strain relief.

Disconnect power before making electrical connections.

Connect neutral wire (white or center wire) to center terminal (silver).

Ground wire (green or bare wire) must be connected to green ground connector.

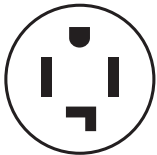
Connect remaining 2 supply wires to remaining 2 terminals (gold).

Securely tighten all electrical connections.

Failure to do so can result in death, fire, or electrical shock.

Electrical Connection Options

1. Choose electrical connection type



Power supply cord 4-wire receptacle (NEMA Type 14-30R):
Go to Power Supply Cord Connection.



Power supply cord 3-wire receptacle (NEMA Type 10-30R):
Go to Power Supply Cord Connection.



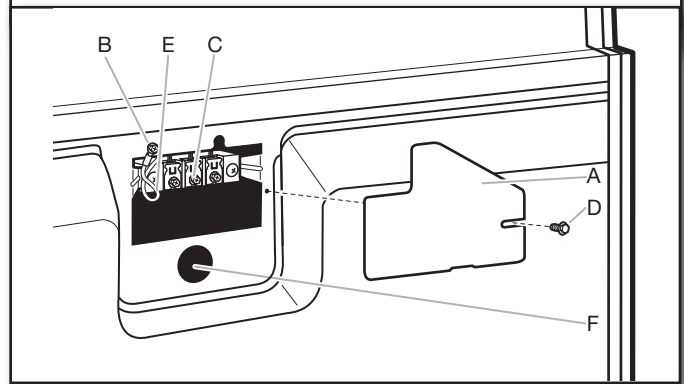
4-wire direct connection:
Go to Direct Wire Connection.



3-wire direct connection:
Go to Direct Wire Connection.

NOTE: If local codes do not permit connection of a cabinet-ground conductor to neutral wire, go to "Optional 3-wire connection." This connection may be used with either a power supply cord or a direct wire connection.

2. Remove terminal block cover



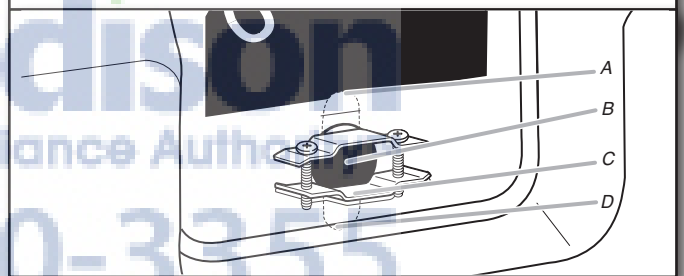
Before you start, disconnect power. Remove hold-down screw (D) and terminal block cover (A).

- A. Terminal block cover
- B. External ground conductor
- C. Center terminal block screw
- D. Hold-down screw
- E. Neutral ground wire
- F. Hole below terminal block cover

POWER SUPPLY CORD CONNECTION

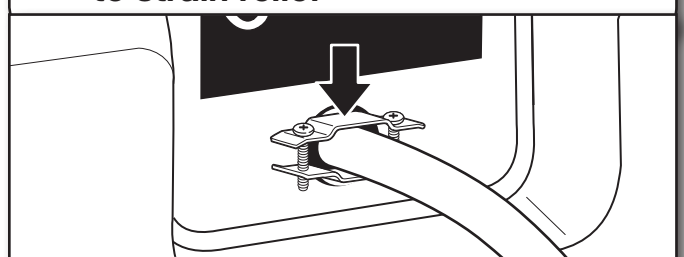
Power Supply Cord Strain Relief

1. Attach power supply cord strain relief



Remove the screws from a 3/4" (19 mm) UL listed strain relief (UL marking on strain relief). Put the tabs of the two clamp sections (C) into the hole below the terminal block opening (B) so that one tab is pointing up (A) and the other is pointing down (D), and hold in place. Tighten strain relief screws just enough to hold the two clamp sections (C) together.

2. Attach power supply cord to strain relief



Put power supply cord through the strain relief. Be sure that the wire insulation on the power supply cord is inside the strain relief. The strain relief should have a tight fit with the dryer cabinet and be in a horizontal position. Do not further tighten strain relief screws at this point.

If your outlet looks like this:



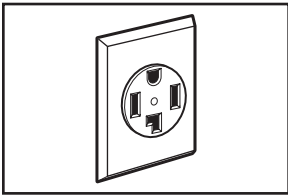
Power supply cord 4-wire receptacle (NEMA Type 14-30R):
Go to "4-Wire Power Supply Cord Connection" on this page.



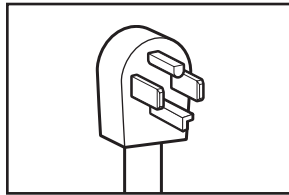
Power supply cord 3-wire receptacle (NEMA Type 10-30R):
Go to "3-Wire Power Supply Cord Connection" on page 9.

4-wire Power Supply Cord Connection

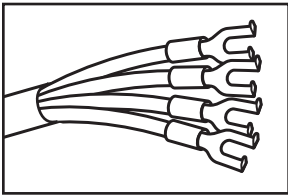
IMPORTANT: A 4-wire connection is required for mobile homes and where local codes do not permit the use of 3-wire connections.



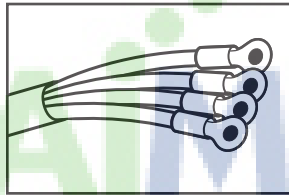
4-wire receptacle (NEMA type 14-30R)



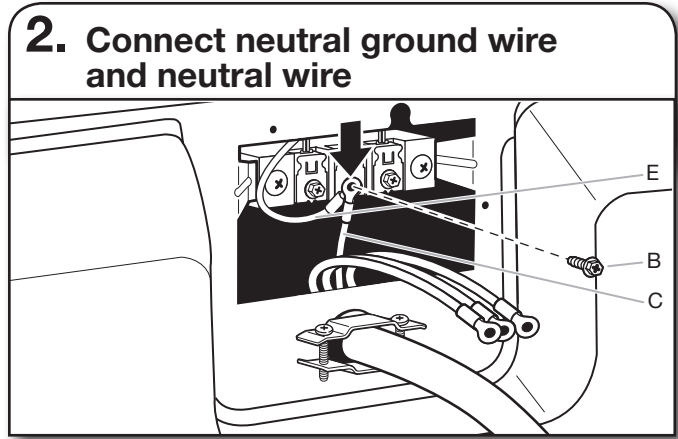
4-prong plug



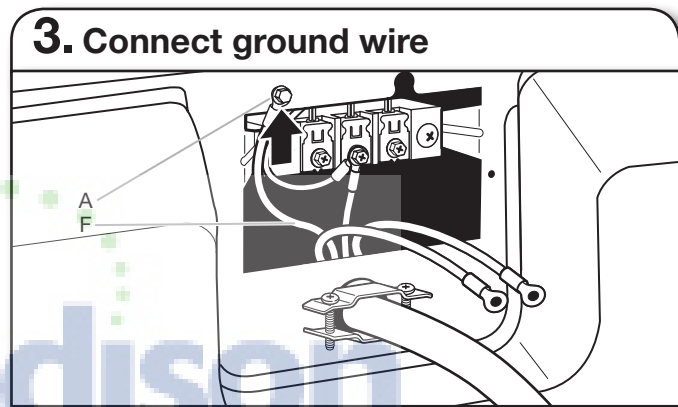
Spade terminals with upturned ends



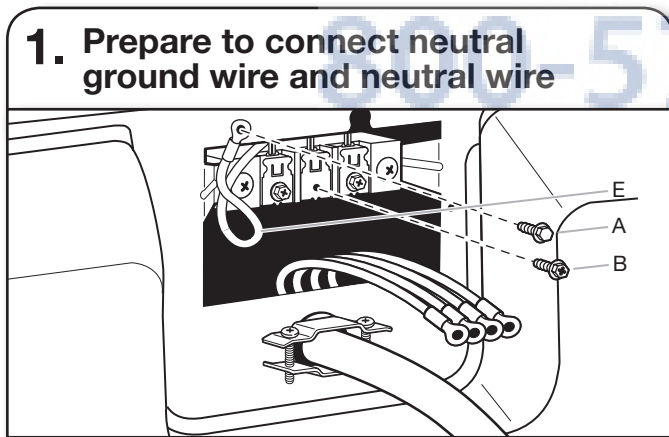
Ring terminals



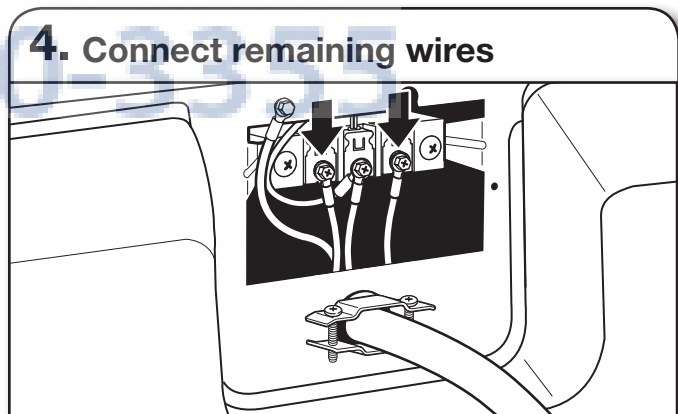
Connect neutral ground wire (E) and neutral wire (white) (C) of power supply cord under center terminal block screw (B). Tighten screw.



Connect ground wire (F) (green or bare) of power supply cord to external ground conductor screw (A). Tighten screw.



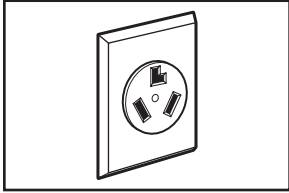
Remove center terminal block screw (B). Remove neutral ground wire (E) from external ground conductor screw (A).



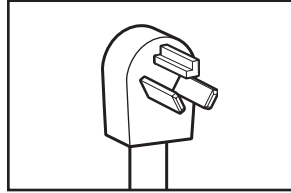
Connect remaining wires to outer terminal block screws. Tighten screws. Finally, reinsert tab of terminal block cover into slot of dryer rear panel. Secure cover with hold-down screw. Now, go to "Venting Requirements."

3-wire Power Supply Cord Connection

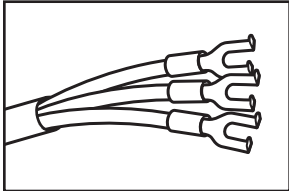
Use where local codes permit connecting cabinet-ground conductor to neutral wire.



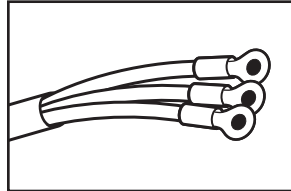
3-wire receptacle (NEMA type 10-30R)



3-prong plug

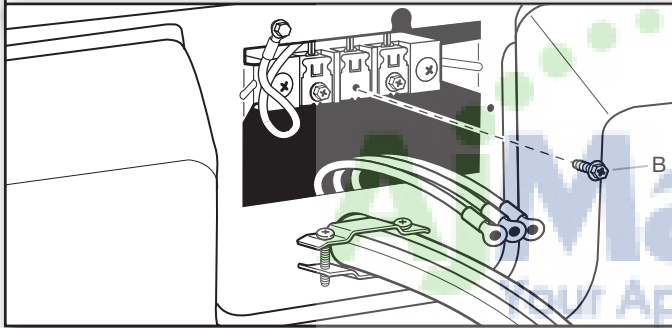


Spade terminals with upturned ends



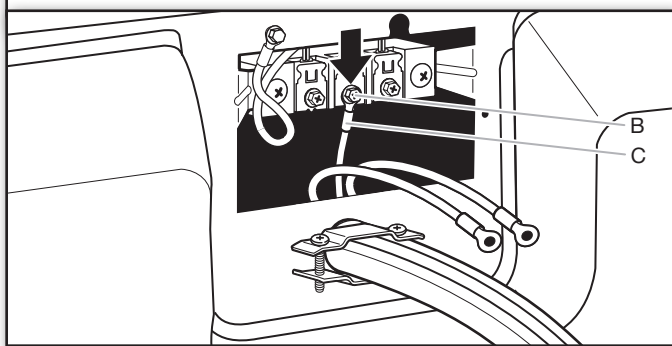
Ring terminals

1. Remove center screw



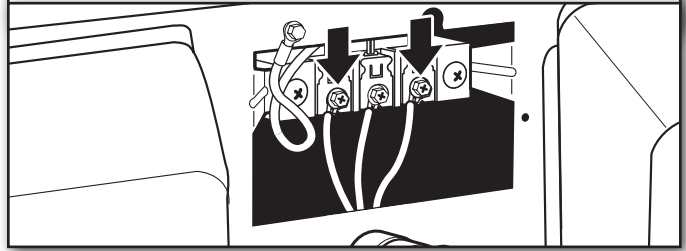
Remove center terminal block screw (B).

2. Connect neutral wire



Connect neutral wire (white or center) (C) of power supply cord to center terminal block screw (B). Tighten screw.

3. Connect remaining wires



Connect remaining wires to outer terminal block screws. Tighten screws. Finally, reinsert tab of terminal block cover into slot of dryer rear panel. Secure cover with hold-down screw. Now, go to "Venting Requirements."

DIRECT WIRE CONNECTION

⚠ WARNING



Fire Hazard

Use 10 gauge copper wire.

Use a UL listed strain relief.

Disconnect power before making electrical connections.

Connect neutral wire (white or center wire) to center terminal (silver).

Ground wire (green or bare wire) must be connected to green ground connector.

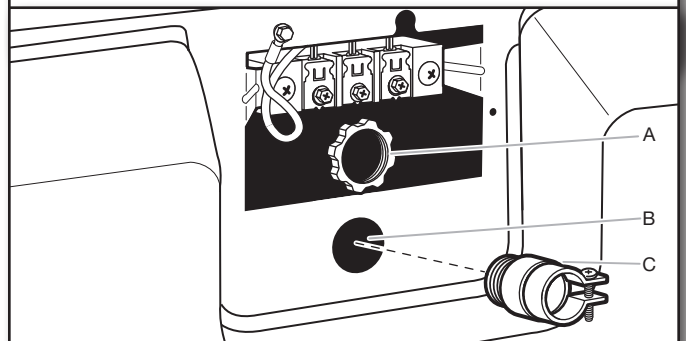
Connect remaining 2 supply wires to remaining 2 terminals (gold).

Securely tighten all electrical connections.

Failure to do so can result in death, fire, or electrical shock.

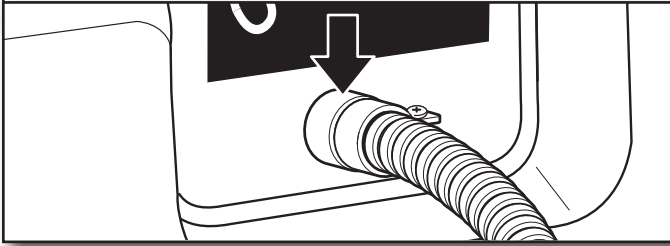
Direct Wire Strain Relief

1. Attach direct wire strain relief



Unscrew the removable conduit connector (A) and any screws from a 3/4" (19 mm) UL listed strain relief (UL marking on strain relief). Put the threaded section of the strain relief (C) through the hole below the terminal block opening (B). Reaching inside the terminal block opening, screw the removable conduit connector (A) onto the strain relief threads.

2. Attach direct wire cable to strain relief



Put direct wire cable through the strain relief. The strain relief should have a tight fit with the dryer cabinet and be in a horizontal position. Tighten strain relief screw against the direct wire cable.

If your wiring looks like this:



4-wire direct connection:
Go to "4-Wire Direct Connection"
on this page.

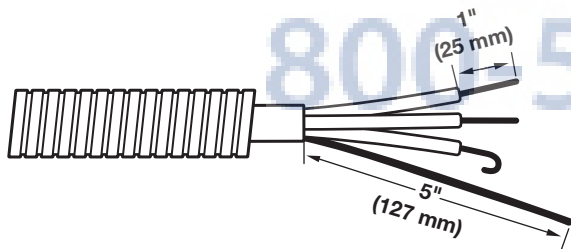


3-wire direct connection:
Go to "3-Wire Direct Connection"
on page 11.

4-wire Direct Wire Connection

IMPORTANT: A 4-wire connection is required for mobile homes and where local codes do not permit 3-wire connections.

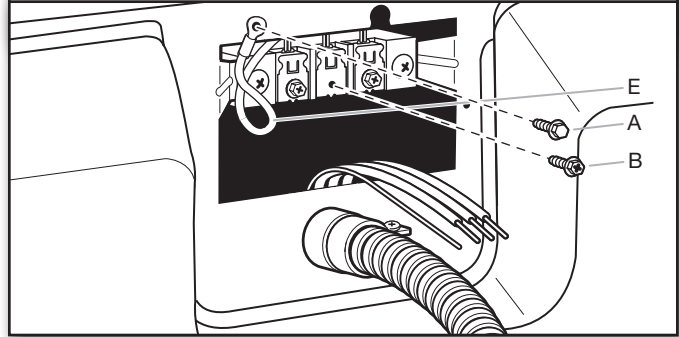
1. Prepare your 4-wire cable for direct connection



Direct wire cable must have 5 ft. (1.52 m) of extra length so dryer may be moved if needed.

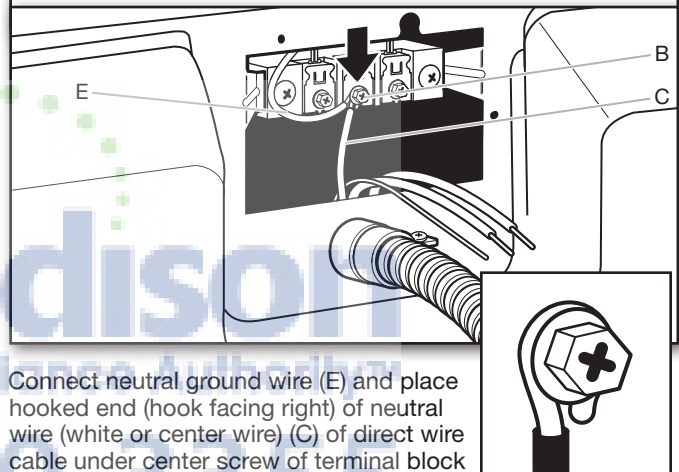
Strip 5" (127 mm) of outer covering from end of cable, leaving bare ground wire at 5" (127 mm). Cut 1 1/2" (38 mm) from remaining 3 wires. Strip insulation back 1" (25 mm). Shape ends of wires into hooks.

2. Prepare to connect neutral ground wire and neutral wire



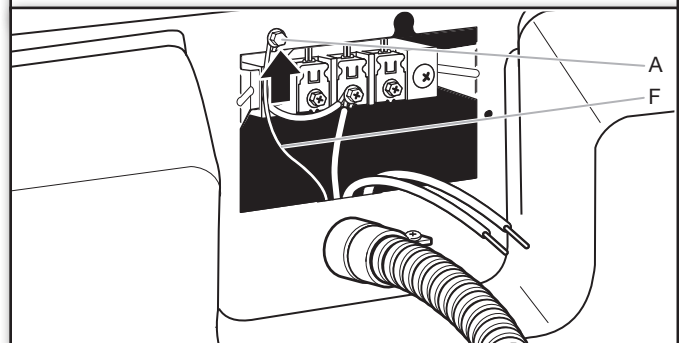
Remove center terminal block screw (B). Remove neutral ground wire (E) from external ground conductor screw (A).

3. Connect neutral ground wire and neutral wire



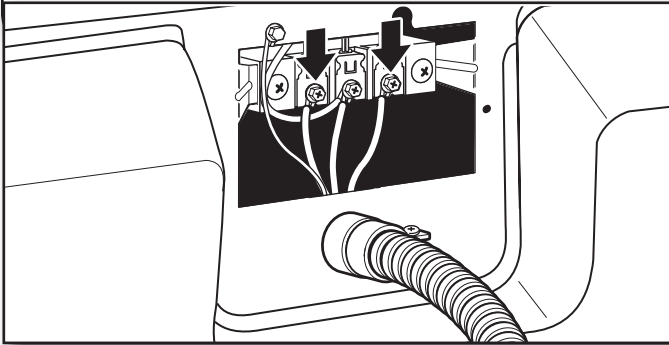
Connect neutral ground wire (E) and place hooked end (hook facing right) of neutral wire (white or center wire) (C) of direct wire cable under center screw of terminal block (B). Squeeze hooked ends together and tighten screw.

4. Connect ground wire



Connect ground wire (green or bare) (F) of direct wire cable to external ground conductor screw (A). Tighten screw.

5. Connect remaining wires

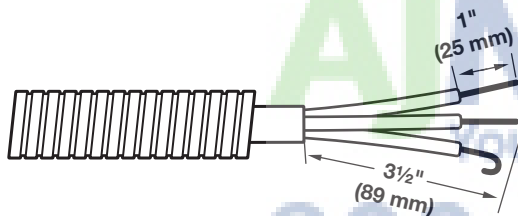


Place hooked ends of remaining direct wire cable wires under outer terminal block screws (hooks facing right). Squeeze hooked ends together and tighten screws. Finally, reinsert tab of terminal block cover into slot of dryer rear panel. Secure cover with hold-down screw. Now, go to "Venting Requirements."

3-wire Direct Wire Connection

Use where local codes permit connecting cabinet-ground conductor to neutral wire.

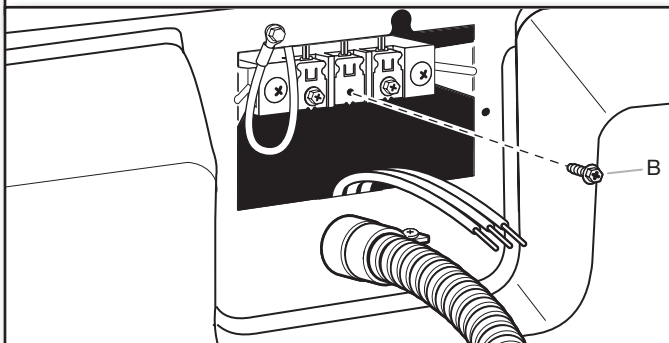
1. Prepare your 3-wire cable for direct connection



Direct wire cable must have 5 ft. (1.52 m) of extra length so dryer may be moved if needed.

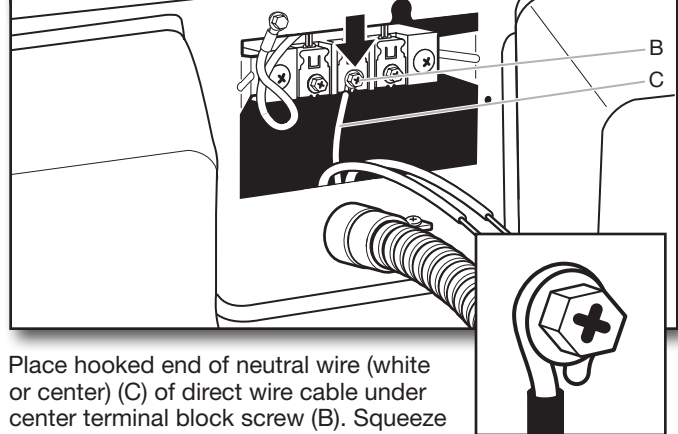
Strip 3 1/2" (89 mm) of outer covering from end of cable. Strip insulation back 1" (25 mm). If using 3-wire cable with ground wire, cut bare wire even with outer covering. Shape wire ends into hooks.

2. Remove center screw



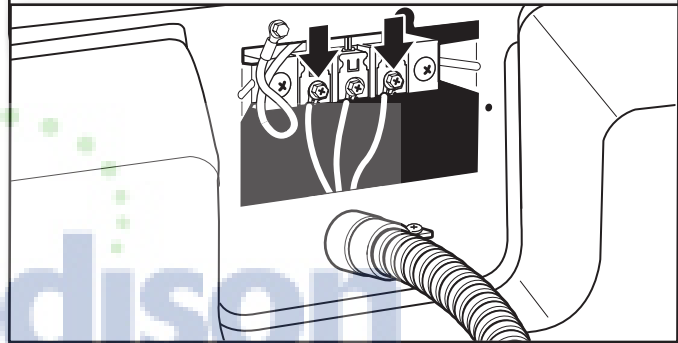
Remove center terminal block screw (B).

3. Connect neutral wire



Place hooked end of neutral wire (white or center) (C) of direct wire cable under center terminal block screw (B). Squeeze hooked end together. Tighten screw.

4. Connect remaining wires

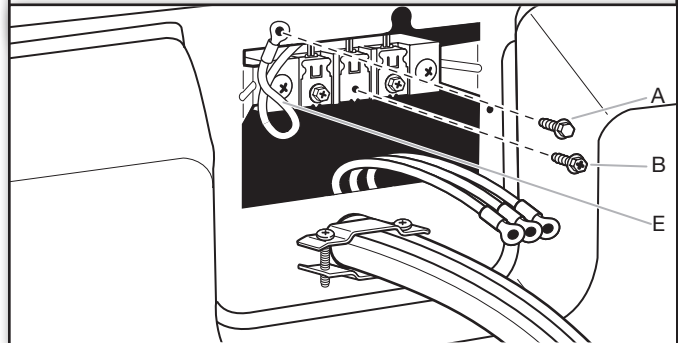


Place hooked ends of remaining direct wire cable wires under outer terminal block screws (hooks facing right). Squeeze hooked ends together and tighten screws. Finally, reinsert tab of terminal block cover into slot of dryer rear panel. Secure cover with hold-down screw. Now, go to "Venting Requirements."

Optional 3-wire Connection

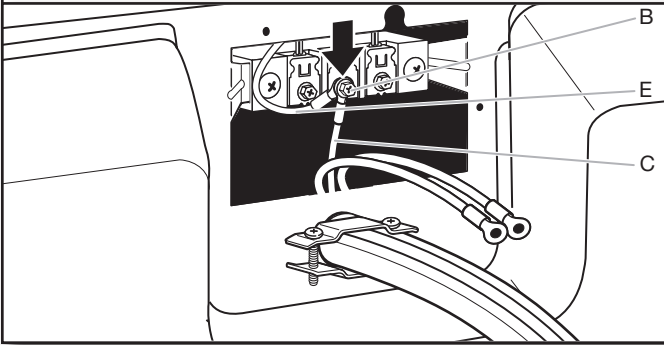
You must verify with a qualified electrician that this grounding method is acceptable before connecting.

1. Prepare to connect neutral ground wire and neutral wire



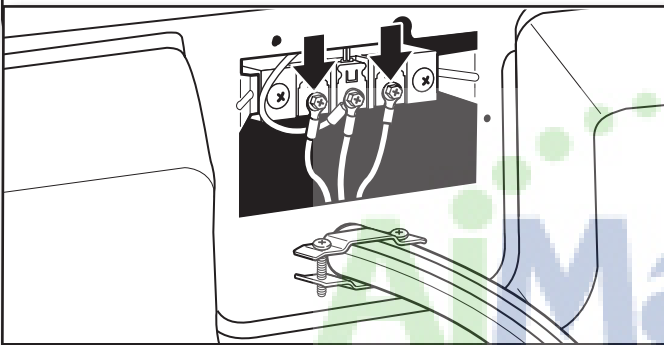
Remove center terminal block screw (B). Remove neutral ground wire (E) from external ground conductor screw (A).

2. Connect neutral ground wire and neutral wire



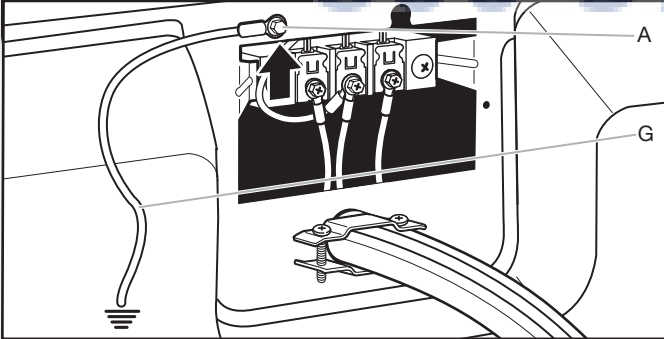
Connect neutral ground wire (E) and neutral wire (white or center wire) (C) of power supply cord or cable under center terminal block screw (B). Tighten screw.

3. Connect remaining wires



Place hooked ends of remaining wires under outer terminal block screws (hooks facing right). Tighten screws.

4. Connect external ground wire



Connect a separate copper ground wire (G) from the external ground conductor screw (A) to an adequate ground. Finally, reinsert tab of terminal block cover into slot of dryer rear panel. Secure cover with hold-down screw. Now, go to "Venting Requirements."

VENTING

VENTING REQUIREMENTS

⚠ WARNING



Fire Hazard

Use a heavy metal vent.

Do not use a plastic vent.

Do not use a metal foil vent.

Failure to follow these instructions can result in death or fire.

WARNING: To reduce the risk of fire, this dryer MUST BE EXHAUSTED OUTDOORS.

IMPORTANT: Observe all governing codes and ordinances. Dryer exhaust must not be connected into any gas vent, chimney, wall, ceiling, attic, crawlspace, or a concealed space of a building. Only rigid or flexible metal vent shall be used for exhausting.



4" (102 mm) heavy metal exhaust vent

- Only a 4" (102 mm) heavy metal exhaust vent and clamps may be used.
- Do not use plastic or metal foil vent.

Rigid metal vent:

- Recommended for best drying performance and to avoid crushing and kinking.

Flexible metal vent: (Acceptable only if accessible to clean)

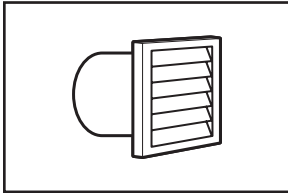
- Must be fully extended and supported in final dryer location.
- Remove excess to avoid sagging and kinking that may result in reduced airflow and poor performance.
- Do not install in enclosed walls, ceilings, or floors.
- The total length should not exceed 7³/₄ ft. (2.4 m).

NOTE: If using an existing vent system, clean lint from entire length of the system and make sure exhaust hood is not plugged with lint. Replace plastic or metal foil vents with rigid metal or flexible metal vents. Review Vent System Chart and if necessary, modify existing vent system to achieve best drying performance.

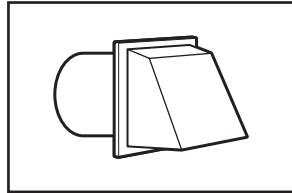
Exhaust hoods:

- Must be at least 12" (305 mm) from ground or any object that may obstruct exhaust (such as flowers, rocks, bushes, or snow).

Recommended Styles:

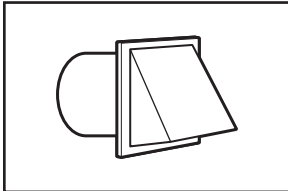


Louvered Hood



Box Hood

Acceptable Style:

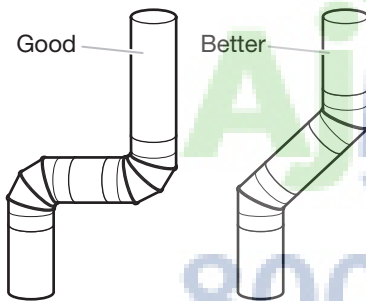


Angled Hood

Elbows:

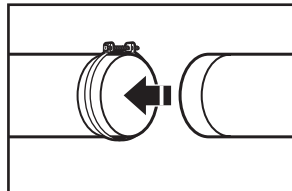
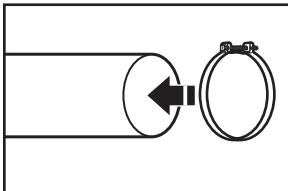
- 45° elbows provide better airflow than 90° elbows.

Recommended Styles:



Clamps:

- Use clamps to seal all joints.
- Exhaust vent must not be connected or secured with screws or other fastening devices that extend into interior of duct and catch lint. Do not use duct tape.



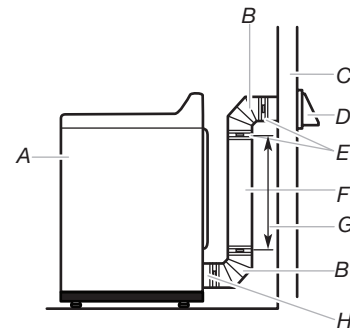
Improper venting can cause moisture and lint to collect indoors, which may result in:

- Moisture damage to woodwork, furniture, paint, wallpaper, carpets, etc.
- Housecleaning problems and health problems.

PLAN VENT SYSTEM

Recommended exhaust installations

Typical installations vent the dryer from the rear of the dryer. Other installations are possible.



- A. Dryer
- B. Elbow
- C. Wall
- D. Exhaust hood
- E. Clamps
- F. Rigid metal or flexible metal vent
- G. Vent length necessary to connect elbows
- H. Exhaust outlet

Optional exhaust installations:

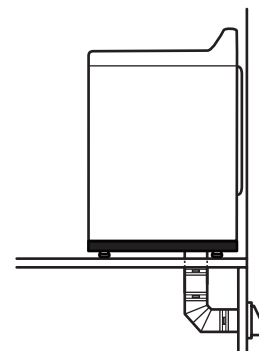
⚠ WARNING

Fire Hazard

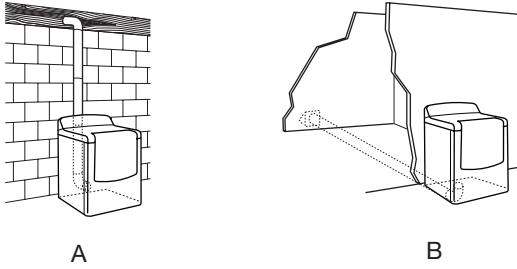
Use a heavy metal vent.
Do not use a plastic vent.
Do not use a metal foil vent.

Failure to follow these instructions can result in death or fire.

- Exhaust Cover Kit (to cover unused exhaust holes): Part Number W10186596 - all models
- Bottom Exhaust Kit- Part Number 8212503



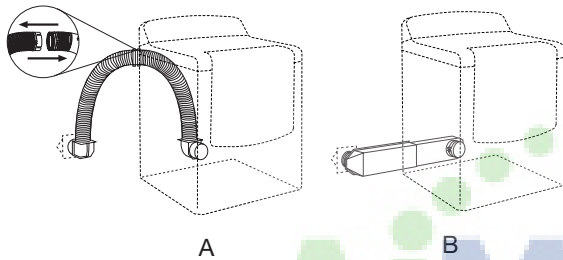
If you prefer, dryer may be converted to exhaust through the bottom. You must contact your local dealer to have dryer converted.



A. Standard rear offset exhaust installation
B. Bottom exhaust installation

Alternate installations for close clearances

Venting systems come in many varieties. Select the type best for your installation. Two close-clearance installations are shown. Refer to the manufacturer’s instructions.



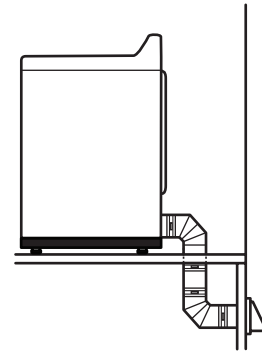
A. Over-the-top installation
(also available with one offset elbow)
B. Periscope installation

NOTE: The following kits for close clearance alternate installations are available for purchase. Contact your local dealer.

- Over-the-Top Installation:
Part Number 4396028
- Periscope Installation (For use with dryer vent to wall vent mismatch):
Part Number 4396037 - 0" (0 mm) to 18" (460 mm) mismatch
Part Number 4396011 - 18" (460 mm) to 29" (737 mm) mismatch
Part Number 4396014 - 29" (737 mm) to 50" (1270 mm) mismatch

Special provisions for mobile homes:

Exhaust vent must be securely fastened to a noncombustible portion of mobile home and must not terminate beneath the mobile home. Terminate exhaust vent outside.



Mobile Home Exhaust installation

Determine vent path:

- Select route that will provide straightest and most direct path outdoors.
- Plan installation to use fewest number of elbows and turns.
- When using elbows or making turns, allow as much room as possible.
- Bend vent gradually to avoid kinking.
- Use as few 90° turns as possible.

Determine vent length and elbows needed for best drying performance:

- Use following Vent System Chart to determine type of vent material and hood combinations acceptable to use.

NOTE: Do not use vent runs longer than those specified in Vent System Chart. Exhaust systems longer than those specified will:

- Shorten life of dryer.
- Reduce performance, resulting in longer drying times and increased energy usage.

The Vent System Charts provide venting requirements that will help achieve best drying performance.

Whirlpool Vent System Chart			
Number of 90° elbows	Type of vent	Box/louvered hoods	Angled hoods
0	Rigid metal	64 ft. (20 m)	58 ft. (17.7 m)
1	Rigid metal	54 ft. (16.5 m)	48 ft. (14.6 m)
2	Rigid metal	44 ft. (13.4 m)	38 ft. (11.6 m)
3	Rigid metal	35 ft. (10.7 m)	29 ft. (8.8 m)
4	Rigid metal	27 ft. (8.2 m)	21 ft. (6.4 m)

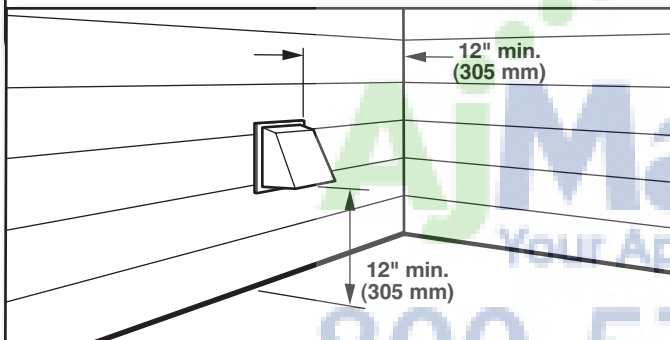
Maytag Vent System Chart

Number of 90° elbows	Type of vent	Box/louvered hoods	Angled hoods
0	Rigid metal	100 ft. (30.5 m)	94 ft. (28.7 m)
1	Rigid metal	90 ft. (27.4 m)	84 ft. (25.6 m)
2	Rigid metal	80 ft. (24.4 m)	74 ft. (22.6 m)
3	Rigid metal	71 ft. (21.6 m)	65 ft. (19.8 m)
4	Rigid metal	63 ft. (19.2 m)	57 ft. (17.4 m)

NOTE: Bottom exhaust installations have a 90° turn inside the dryer. To determine maximum exhaust length, add one 90° turn to the charts.

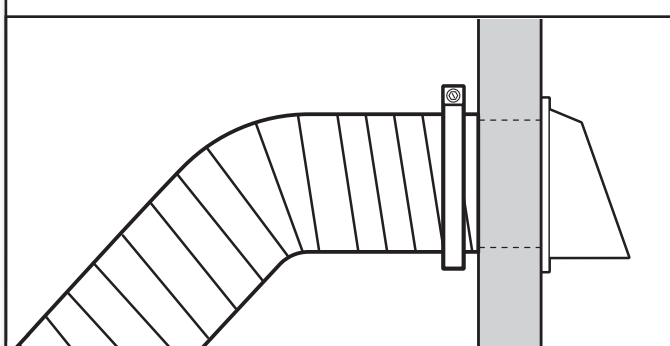
INSTALL VENT SYSTEM

1. Install exhaust hood



Install exhaust hood and use caulking compound to seal exterior wall opening around exhaust hood.

2. Connect vent to exhaust hood



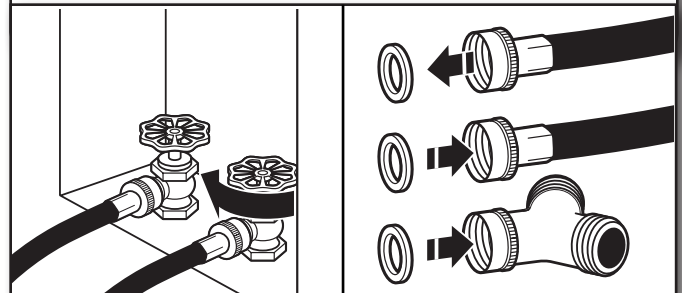
Vent must fit over the exhaust hood. Secure vent to exhaust hood with 4" (102 mm) clamp. Run vent to dryer location using straightest path possible. Avoid 90° turns. Use clamps to seal all joints. Do not use duct tape, screws, or other fastening devices that extend into interior of vent to secure vent, because they can catch lint.

CONNECT INLET HOSES

For non-steam models, skip to "Connect Vent."

The dryer must be connected to the cold water faucet using the new inlet hoses. Do not use old hoses.

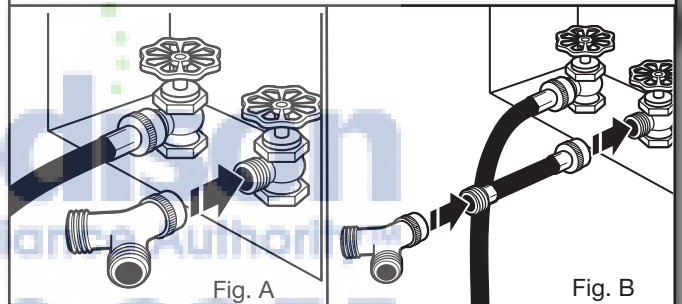
1. Turn cold water off, remove and replace rubber washer



Turn cold water faucet off and remove washer inlet hose.

Check and see if rubber washer is in the "Y" connector. Remove old rubber washer from inlet hose and replace with new rubber washer provided.

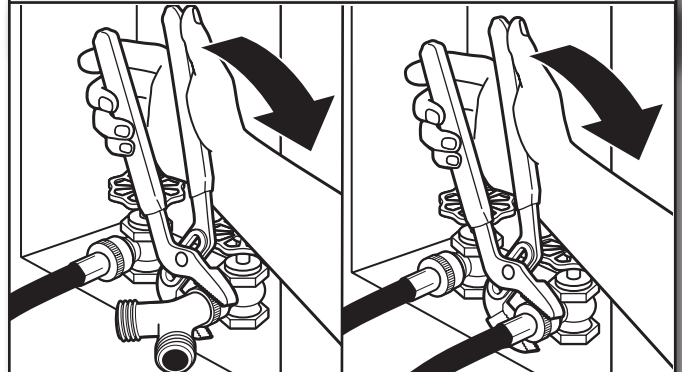
2. Attach short hose and "Y" connector



If space permits, attach the female end of the "Y" connector to the cold water faucet. See figure A.

If "Y" connector cannot be attached directly to the cold water faucet, the short hose must be used. See figure B. Attach short hose to cold water faucet. Screw on coupling by hand until it is seated on faucet. Then attach "Y" connector to male end of the short hose. Screw on coupling by hand until it is seated on connector.

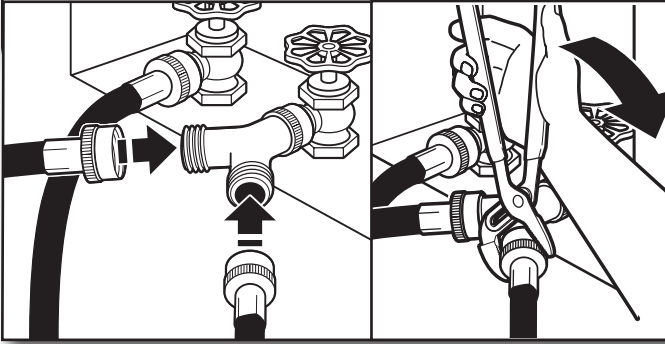
3. Tighten couplings



Using pliers, tighten the couplings with additional two-thirds turn.

NOTE: Do not overtighten. Damage to the coupling can result.

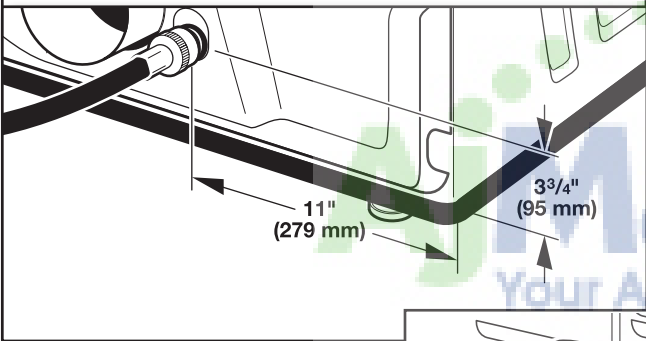
4. Attach long hose to "Y" connector and tighten couplings



One end of the long hose has a wire mesh strainer inside the coupling. Attach this end to the "Y" connector. Attach washer cold inlet hose to other side of "Y" connector. Screw on coupling by hand until it is seated on connector. Using pliers, tighten the couplings an additional two-thirds turn.

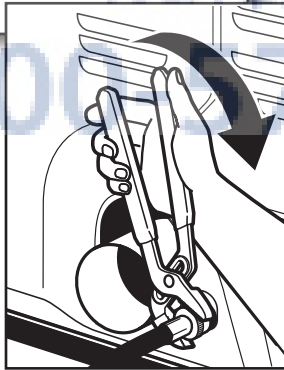
NOTE: Do not overtighten. Damage to the coupling can result.

5. Attach long hose to dryer fill valve and tighten coupling

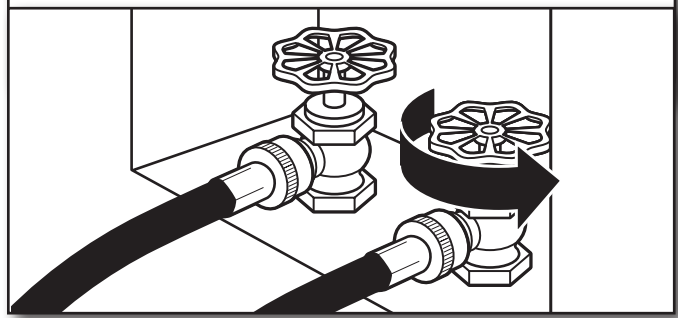


Attach other end of long hose to fill valve at bottom of dryer back panel. Screw on coupling by hand until it is seated on fill valve connector. Using pliers, tighten the couplings an additional two-thirds turn.

NOTE: Do not overtighten. Damage to the coupling can result.

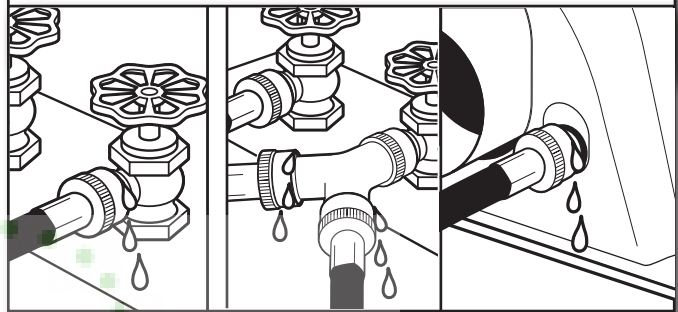


6. Turn on cold water faucet



Check that the water faucets are turned on.

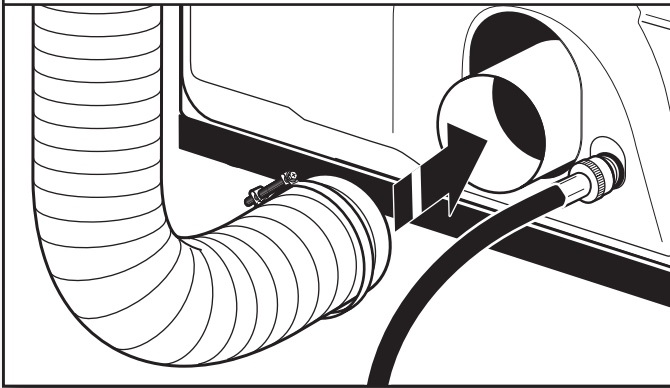
7. Check for leaks



Check for leaks around "Y" connector, faucets, and hoses.

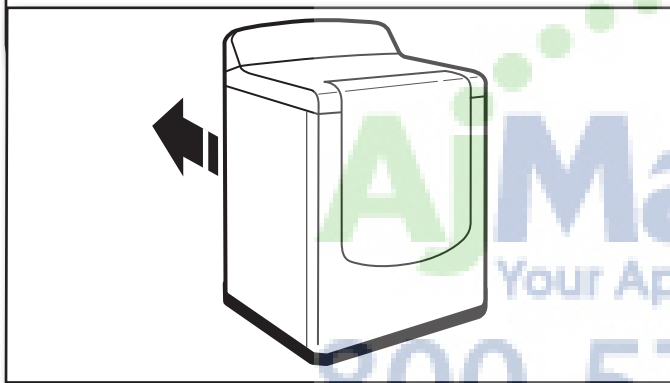
CONNECT VENT

1. Connect vent to exhaust outlet



Using a 4" (102 mm) clamp, connect vent to exhaust outlet in dryer. If connecting to existing vent, make sure vent is clean. Dryer vent must fit over dryer exhaust outlet and inside exhaust hood. Check that vent is secured to exhaust hood with a 4" (102 mm) clamp.

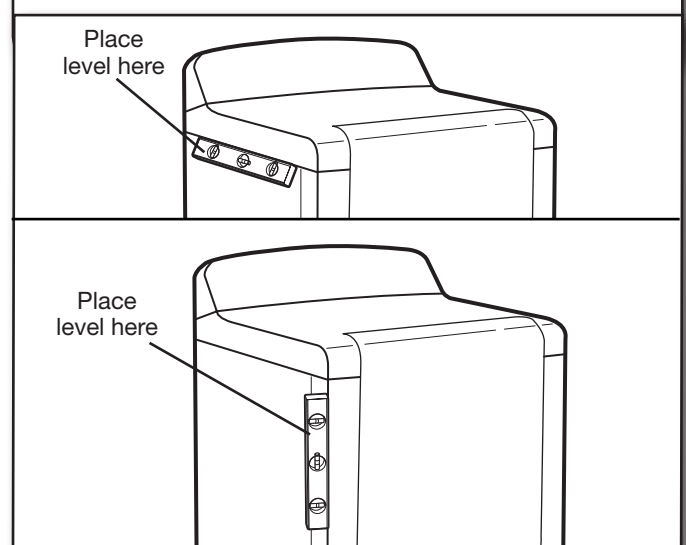
2. Move dryer to final location



Move dryer to final location. Avoid crushing or kinking vent. After dryer is in place, remove cardboard from under dryer.

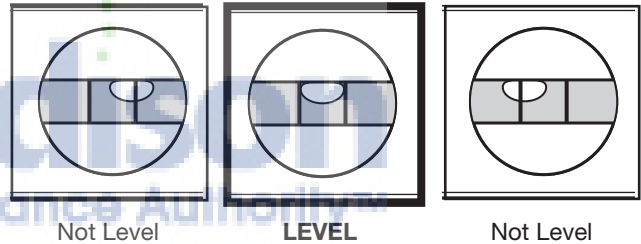
LEVEL DRYER

1. Level Dryer

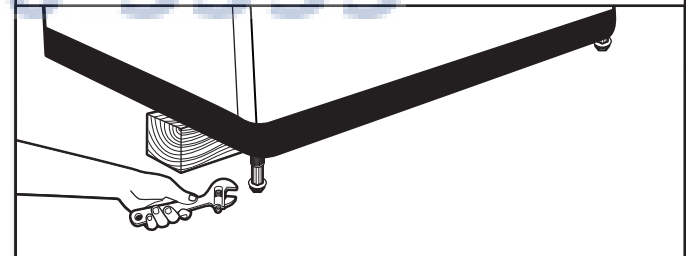


Check levelness of dryer from side to side. Repeat from front to back.

NOTE: The dryer must be level for the moisture sensing system to operate correctly.



2. Adjust leveling legs



If dryer is not level, prop up using a wood block, use wrench to adjust legs by backing out the foot as needed, then checking again for levelness. Once legs are level, make sure all four legs are snug against the floor.

COMPLETE INSTALLATION CHECKLIST

- Check that all parts are now installed. If there is an extra part, go back through steps to see what was skipped.
- Check that you have all of your tools.
- Dispose of/recycle all packaging materials.
- Check dryer's final location. Be sure vent is not crushed or kinked.
- Check that dryer is level. See "Level Dryer."
- Remove film on console and any tape remaining on dryer.
- Wipe dryer drum interior thoroughly with a damp cloth to remove any dust.
- Read "Dryer Use" in your "Use and Care Guide."
- For power supply cord installation, plug into a grounded outlet. For direct wire installation, turn on Power.

Steam models only:

- Be sure the water faucets are on.
- Check for leaks around "Y" connector, faucet, and hoses.
- If you live in a hard water area, use of a water softener is recommended to control the buildup of scale through the water system in the dryer. Over time, the buildup of lime scale may clog different parts of the water system, which will reduce product performance. Excessive scale buildup may lead to the need for certain part replacement or repair.

All Models:

- Select a Time Dry heated cycle, and start dryer. Do not select Air Only Temperature setting.

If dryer will not start, check the following:

- Controls are set in a running or "On" position.
- Start button has been pushed firmly.
- Dryer is plugged into an outlet and/or electrical supply.
- Household fuse is intact and tight, or circuit breaker has not tripped.
- Dryer door is closed.

This dryer automatically runs an installation diagnostic routine at the start of its first cycle.

If you receive an L2 code, there may be a problem with your home power supply keeping the dryer's heater from turning on. See "Troubleshooting."

If your Airflow screen reads "Check Vent", your dryer vent may be crushed or blocked. See "Troubleshooting."

NOTE: You may notice an odor when dryer is first heated. This odor is common when heating element is first used. The odor will go away.

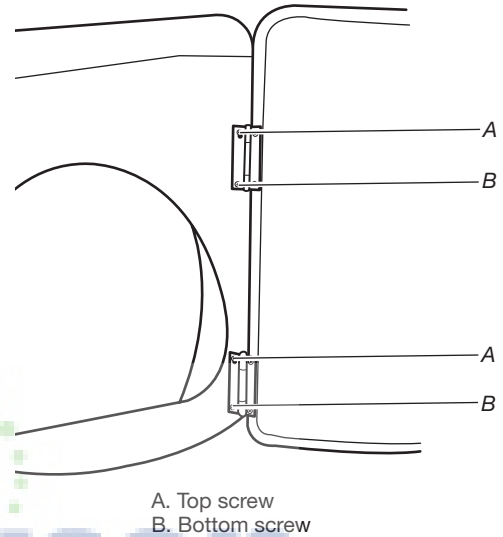
REVERSE DOOR SWING

You can change your door swing from a right-side opening to a left-side opening, if desired.

1. Place a towel or soft cloth on top of dryer or work space to avoid damaging the surface.

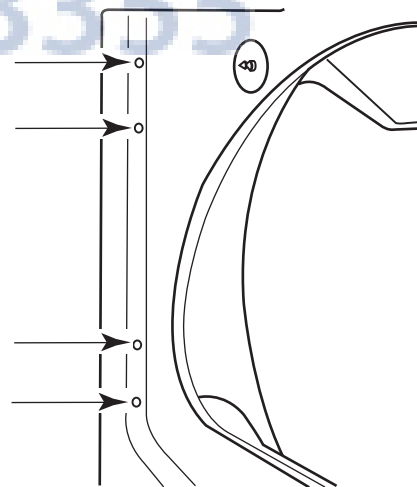
Remove the door assembly

1. Open the dryer door.
2. Remove the bottom screw (B) from each of the two hinges that attach dryer door to front panel of dryer.
3. Loosen the top screw (A) from each of the two hinges in Step 2.



4. Remove the dryer door and the hinges by lifting upward on the door. Lay the door on a flat, covered surface, with the inside of the door facing up. Remove remaining two loose screws from dryer front panel.

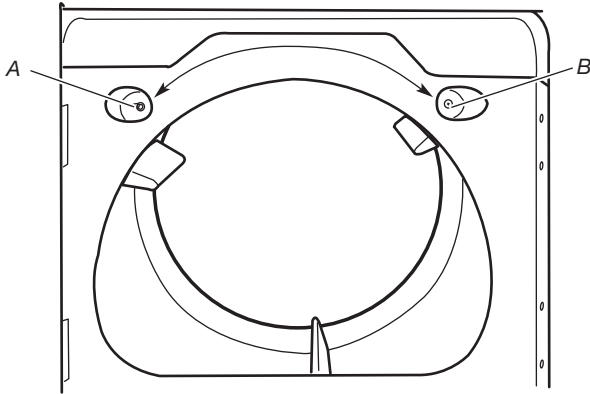
5. Remove the 4 plastic plugs located outside the dryer door opening.



6. Install 4 plastic plugs into screw holes in the dryer left where the hinges were removed in Step 4.

Reverse the strike

1. Remove the door strike from the dryer door opening.
2. Remove the cosmetic screw opposite the door strike.

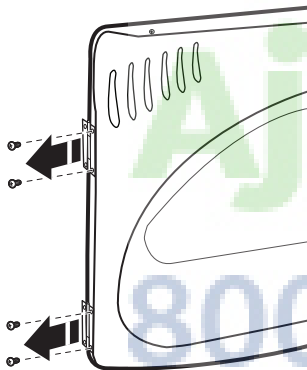


A. Door strike
B. Cosmetic screw

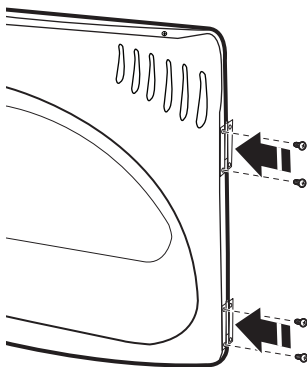
3. Reinstall the door strike and cosmetic screw on the opposite side of dryer door opening from where they were removed.
NOTE: Door strike and plugs must be on the same side of the dryer door opening.

Reinstall the door

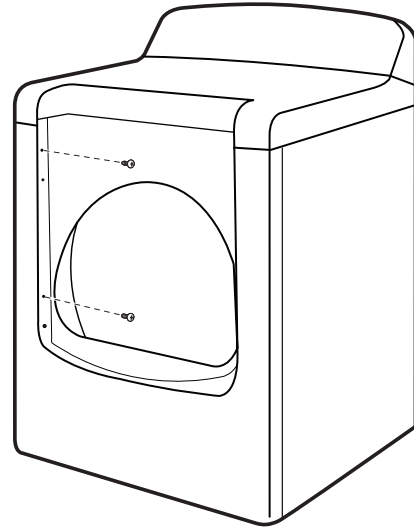
1. Remove the 4 screws and two hinges from the dryer door.



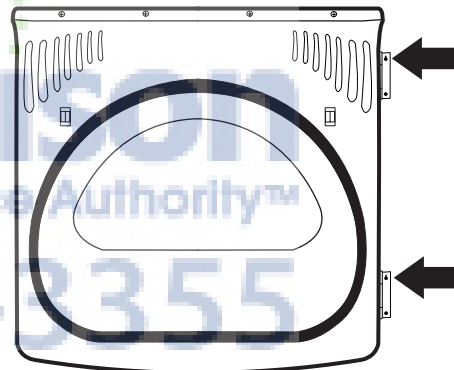
2. Replace the 4 screws in the same holes
3. Remove the 4 screws from the opposite side of the door.



4. Install the two hinges to the front panel of the dryer using 4 screws. Use the non-slotted side to attach the hinge to the front panel.
5. Install screws in top hinge holes in the door. Do not tighten screws. Leave approximately 1/4" (5 mm) of screw exposed.



6. Hang door by placing screw heads into top slotted holes of hinges and slide door down. Align bottom screw holes in hinge and door. Install two bottom screws. Tighten all hinge screws.



7. Close door to engage door strike.

TROUBLESHOOTING

DRYER OPERATION

Dryer will not run

- **Has a household fuse blown, or has a circuit breaker tripped?**
There may be two household fuses or circuit breakers for the dryer. Check that both fuses are intact and tight, or that both circuit breakers have not tripped. Replace the fuse or reset the circuit breaker. If the problem continues, call an electrician.
- **Is the correct power supply available?**
Electric dryers require a 240-volt power supply. Check with a qualified electrician.
- **Was a regular fuse used?**
Use a time-delay fuse.

No heat

■ Has a household fuse blown, or has a circuit breaker tripped?

The drum may be turning, but you may not have heat. Electric dryers use two household fuses or circuit breakers. Replace the fuse or reset the circuit breaker. If the problem continues, call an electrician.

Is "Check Vent" illuminated on the Airflow screen?

This indicator will show the status of airflow through the dryer vent. The Detecting light comes on during the sensing phase at the beginning of a cycle. The Check Vent light will come on if a blocked vent or low airflow issue is detected.

Try the following:

Clean lint screen.

Check to see if the vent run from the dryer to the wall is free of lint and debris.

Confirm the exterior vent exhaust hood is free of lint and debris.

Confirm your vent system falls within the recommended run length and number of elbows for the type of vent you are using. Refer to "Plan Vent System" for details.

Select a Timed Dry heated cycle, and restart the dryer.

For more information on maintaining good airflow, see "Check Your Vent System for Good Airflow" in the "Use and Care Guide." If the message persists, have your entire home venting run cleaned.

Dryer displaying code message

■ "PF" (power failure), check the following:

Was the drying cycle interrupted by a power failure?

Press and hold START/PAUSE to restart the dryer.

"L2" Diagnostic Code (low or no line voltage condition):

The drum will turn, but there may be a problem with your home power supply keeping the dryer's heater from turning on. The dryer will continue to run when this diagnostic code is present.

Press any key to clear the code from the display and return to the estimated time remaining.

Try the following:

Check to see if a household fuse has blown or circuit breaker has tripped. Electric dryers use two household fuses or breakers. Replace the fuse or reset the circuit breaker. Confirm the power cord is properly installed. Refer to "Electrical Connection" for details.

Select a Timed Dry heated cycle, and restart the dryer.

If the message persists, consult a qualified electrician.

■ "E" Variable (E1, E2, E3) service codes:

Call for service.

DRYER RESULTS

Clothes are not drying satisfactorily, drying times are too long, or load is too hot

■ Is the lint screen clogged with lint?

Lint screen should be cleaned before each load.

⚠ WARNING



Fire Hazard

Use a heavy metal vent.

Do not use a plastic vent.

Do not use a metal foil vent.

Failure to follow these instructions can result in death or fire.

■ Is the exhaust vent or outside exhaust hood clogged with lint, restricting air movement?

Run dryer for 5-10 minutes. Hold your hand under the outside exhaust hood to check air movement. If you do not feel air movement, clean exhaust system of lint or replace exhaust vent with heavy metal or flexible vent. See "Installation Instructions."

■ Are fabric softener sheets blocking the grille?

Use only one fabric softener sheet, and use it only once.

■ Is the exhaust vent the correct length?

Check that the exhaust vent is not too long or has too many turns. Long venting will increase drying times. See "Installation Instructions."

■ Is the exhaust vent diameter the correct size?

Use 4" (102 mm) diameter vent material.

■ Is the dryer located in a room with temperature below 45°F (7°C)?

Proper operation of dryer cycles requires temperatures above 45°F (7°C).

⚠ WARNING



Explosion Hazard

Keep flammable materials and vapors, such as gasoline, away from dryer.

Place dryer at least 18 inches (460 mm) above the floor for a garage installation.

Failure to do so can result in death, explosion, or fire.

■ Is the dryer located in a closet?

Closet doors must have ventilation openings at the top and bottom of the door. The front of the dryer requires a minimum of 1" (25 mm) of airspace, and, for most installations, the rear of the dryer requires 5" (127 mm). See "Installation Instructions."

W10392124B

W10392125B-SP

© 2011
All rights reserved

® Registered Trademark/™ Trademark of Whirlpool, U.S.A., Whirlpool Canada LP licensee in Canada

® Registered trademark/™ Trademark of Maytag Properties, LLC or its related companies.

Used under license by Maytag Limited in Canada.

11/11
Printed in U.S.A.