

ME21M706BAS/G

Samsung Over-the-Range Microwave

2.1 cu. ft. Capacity

SAMSUNG



Signature Features

Precise Glass Touch Controls

- Glass touch provides precise controls with a seamless, integrated design.

Sensor Cook

- Automatically adjusts cooking time for optimal results.

Fingerprint Resistant

- Special coated exterior ensures your microwave remains spotless even with daily use.

Available Colors



Stainless Steel (shown)



Black Stainless Steel



Precise Glass Touch Controls



Sensor Cook

Features

- Extra-Large 2.1 cu. ft. Capacity
- 1000 Watts Cooking Power
- 400 CFM Ventilation System
- Ceramic Enamel Interior
- Recessed Handle
- LED Cooktop Lighting
- Simple Clean Filter
- Charcoal/Grease Vent Filter
- 10 Power Levels

- Two-Stage Programmable Cooking
- Smart & 1 Pound Defrost
- Auto Cook
- Chrome Rack
- LED Display

Convenience

- Kitchen Timer
- Clock (12 hr/24 hr) with Daylight Saving Time Adjustment
- Child Safety Lock
- Reminder End Signal
- Cooktop Lighting (LED): High/Low/Off
- Vent Fan Control: On/Off/Delay Off
- Sound On/Off
- Eco Mode (Reduces Standby Power)

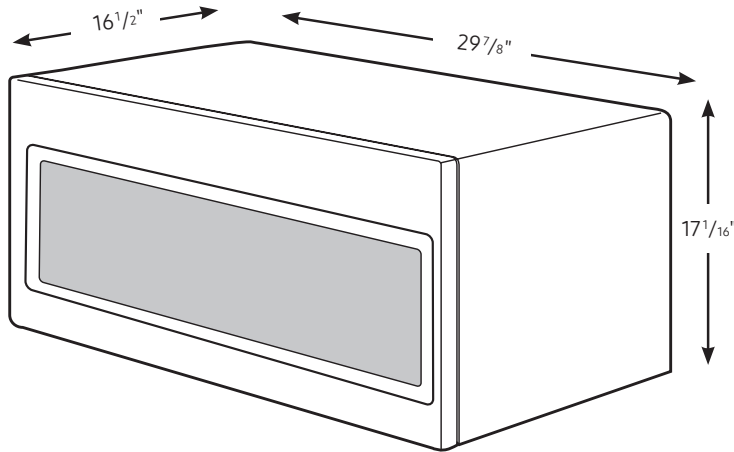
ME21M706BAS/G

Samsung Over-the-Range Microwave

SAMSUNG

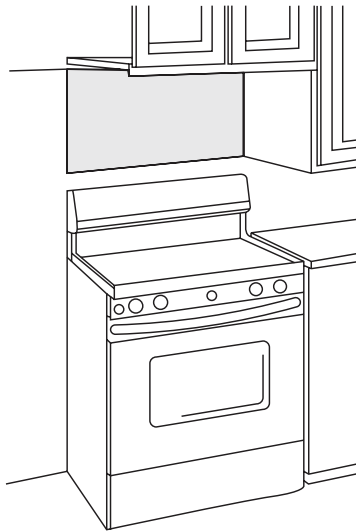
2.1 cu. ft. Capacity

Dimensions



Installing your Microwave

- This microwave oven is designed for adaptation to the following three types of ventilation:
 - A. Outside Top Exhaust (Vertical Duct)
 - B. Recirculating (Non-Vented Ductless)
 - C. Outside Back Exhaust (Horizontal Duct)
- The space between the cabinets must be 30" wide and free of obstructions.
- This microwave oven is for installation over ranges up to 36" wide.
- The microwave must be level. Use a level to make sure the cabinet bottom is level. If the cabinets have a front overhang only, with no back or side frame, install the mounting plate down the same distance as the front overhang depth. This will keep the microwave level.



Specifications

- Oven Cavity: 2.1 cu. ft.
- Power Output: 1000W
- Power Consumption: 1700W/14.5 A
- Power Source: 120V / 60 Hz
- Control Method: Digital (Glass Touch)
- Display: LED (Ice Blue)
- Cooking Control: 10 Power Levels Including Defrost
- Cooking Timer: Digital, up to 99 Minutes, 99 Seconds
- Microwave Distribution System: Rotating Turntable + Stirrer
- Glass Turntable Diameter: 14³/₁₆"
- Chrome Rack (1)
- Vent Fan: 400 CFM
- Vent Fan Control: On/Off/Delay Off
- Cooktop Lighting: High/Low/Off
- Halogen Interior Light

Warranty

One (1) Year All Parts and Labor
Ten (10) Years on Magnetron

Product Dimensions & Weight (WxHxD)

Cavity Dimensions: 22¹/₈" x 10¹³/₁₆" x 14¹/₄"

Outside Net Dimensions: 29⁷/₈" x 17¹/₁₆" x 16¹/₂"

Weight: 59.1 lbs.

Shipping Dimensions & Weight (WxHxD)

Dimensions: 33³/₈" x 20¹³/₁₆" x 19³/₈"

Weight: 69.4 lbs.

Color

Stainless Steel
Black Stainless Steel

Model

ME21M706BAS
ME21M706BAG

UPC Code

887276226132
887276226125

FOR EASIER INSTALLATION AND PERSONAL SAFETY, WE RECOMMEND THAT TWO PEOPLE INSTALL THIS MICROWAVE OVEN. IMPORTANT: Do not grip or use handle during installation.

NOTE: If your cabinet is metal, use the nylon grommet around the power cord hole to prevent cutting of the cord.

NOTE: We recommend using filler blocks if the cabinet front hangs below the cabinet bottom shelf.

IMPORTANT: If filler blocks are not used, case damage may occur from over tightening screws.

NOTE: When mounting the microwave oven, thread power cord through hole in bottom of top cabinet. Do not pinch cord or lift oven by pulling cord.

Actual color may vary. Design, specifications, and color availability are subject to change without notice. Non-metric weights and measurements are approximate.

©2017 Samsung Electronics America, Inc. 85 Challenger Road, Ridgefield Park, NJ 07660. Tel: 800-SAMSUNG. samsung.com. Samsung is a registered trademark of Samsung Electronics Co. Ltd.