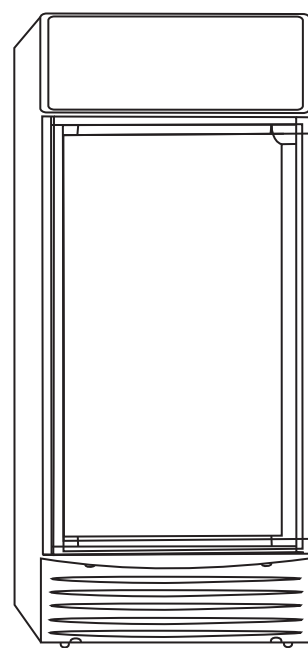


# REFRIGERATOR

## Commercial Glass Door Display Refrigerator

Model:  
MDR-1D-6C



**Before using, please read the operating instructions carefully to ensure proper application and achieve satisfactory results.**

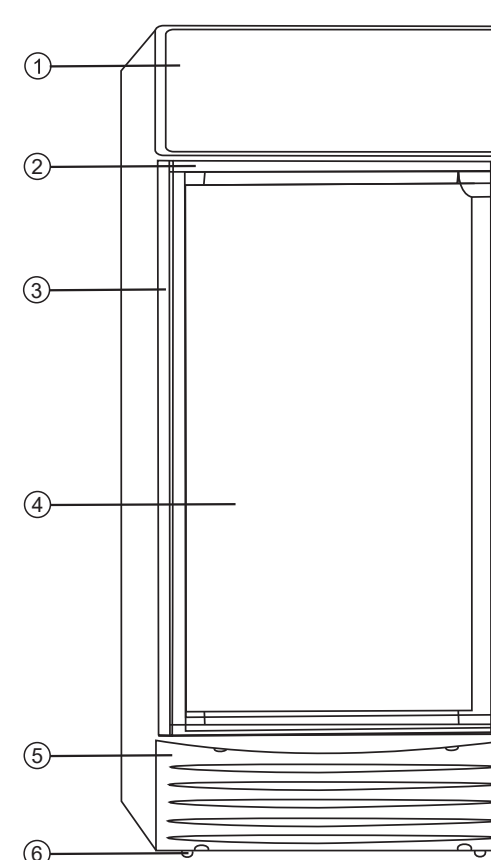
For any service-related issues, please contact us: Phone Number: 718-576-6342 Email address: support@koolmore.com

### Catalogue

- Part names.....1
- Product features.....2
- Mark illustrations.....2
- Safety information.....3
- Transportation and place.....4
- Use.....5
- Thermostat.....5
- Carrying and installing.....6
- Replace the lamp.....7
- Faults and diagnosing.....7

### Part names

The below picture is for your reference. There maybe some differences from your appliance.



1	Lighted Display Box
2	Glass Door with Auto-Close Mechanism
3	Integrated Door Handle
4	Cooler Section (Controls located at top right corner)
5	Front Grille
6	Rollers

1

### Product features

- Saving: Advance cooling system make product more effective and economy.
- Quiet technique: This machine achieve saving standard super quite making you life.
- Safety glass door: Beautiful ,Strong, Durable; Easily seen everything in the showcase.
- Adjustable feet: Adjusting the feet easily to make machine is steady.
- Fast freezing: powered freezing making all cooling.

### Mark illustrations

- Warning** Wrong operations will cause users damaged or even dead
- Attention** Wrong operations will cause users or the appliance damaged
- The wrong operations should be prohibited
- The right operations should be performed strictly
- It is a high temperature danger warning

### Safety information

- This appliance is not intended for use by persons(including children) with reduced physical, sensory or mental capabilities , or lack of experience and knowledge, unless they have been given supervision concerning use of the appliance by a person responsible for their safety.
- If the supply cord is damaged , it must be replaced by a special cord or assembly available from the manufacturer or its service agent.
- If the supply cord is damaged ,it must be replaced by the manufacture , its service agent or similarly qualified persons in order to avoid a hazard.

2

### Safety information

- The rated voltage is 115V~ the rated frequency is 60Hz. If the working voltage is too low or too high, the compressor will be damaged.
- Using three hole socket(Earthing) To be sure safety, socket and cord must be bearing above 10Aelectricity.
- Anytime, making sure all socket already connected earthing. And do not charge any power cord and plug. Making plug and socket together firmly. Otherwise, it maybe leading firing.
- After machine in good position ,making sure the plug is catch easing. User can tale away the plug quickly when happen suddenness .
- Do not damage power cord When you take plug, you must grasp the plug. Do not pull the cord.
- Do not press power cord. Be carefully when carry the product. Do not damage power cord.
- Using & Carrying In order to avoid hazard by glass .Do not press and pull the glass door. Because it is easing broken.
- Whenever removing or transportation ,to avoid the packing front side is pressed.
- Show case no using Be sure the machine is for away fire in order to avoid any happened. Please relieved and the door to prevent children from access to play and accidents. Please sed the machine to one fixed place to solve it.
- Gas or other fired out Turn off the gas valve firstly, then open the door and window .Do not take away the plug from socket.
- Show case fridge room The fridge room only for fridge. Do not put some freezing food and meat ,in order to avoid thaw and metamorphose.
- Avoiding any firing, do not put any gasoline or other flammable liquids near to show case.
- Do not put and dangerous in the show case .Such as flammable liquids, explosive, erode, acid, alkali, ect.
- Take care Children To avoid hurt the children, Prevention children enter into the body, also prevention they put the hand ,foot into the compress room, back gap of show case.

3

### Safety information

- Take care Children To avoid hurt the children, Prevention children enter into the body, also prevention they put the hand ,foot into the compress room, back gap of show case.
- Prohibit change the show case Prohibit to tear open product, changing and damaging cooling pipe .Maintaining must be done by qualified person.
- Water proof Do not spout, clean show case by water. Also do not put the show case at moist place to avoid electronic insulation and fire.
- Please take away plug when happen following Before cleaning service, failure power out please take away plug. Be for return working, you must keep it with in 5 mins ,avoid damage the compressor.
- Fridge and freeze room Fridge door is glass door freeze door is foaming .Fridge room only for fridging do not any freezing food. Do not put the bottle of bear, drinking into freezing room avoid break.
- Assemble shelf in correct way Because it will be hurt when shell down. This product only use for stored food. It can not be for other using such as stored living, flower medicine, drugs, chemic, blood, ect.
- WARNING: Keep ventilation openings, in the appliance enclosure or in the built-in strutre, clear of obstruction.
- WARNING: Do not use mechanical devices or other means to accelerate the defrosting process, other than those recommended by the manufacture.
- WARNING: Do not damage the refrigerant circuit.
- WARNING: Do not use electrical appliances inside the food storage compartments of the appliance, unless they are of type recommended by the manufacturer.

### Transportation and place

- When open the packing to check for must remember every accessories, after checking must be sure good packing then transportation.
- Whatever handling or transportation must avoid any afoul and strong shaking the packing incline can not over 45degtee to avoid the cooling system.
- the place must be feat solid and horizon to be sure machine placing placidly. This is not only for safety
- User can not put anything with in product 100mm in order to show case work out ave and saving.

4

### Transportation and place

- Before connect electricity must be taking away the plug plastic jacket . Do not put any food when machine get electricity. To be sure the machine working some time . Then put in the food.
- The machine must be placed flat and solid ground. If need too high the machine. The cushion must be flat, solid. Do not use easy fired cushion. Never put the pecking or poly from under the bottom as the cushion.
- Do not be at moist place when catching water or polluted. Clean it using soft cloth as soon as possible. To avoid must and insulation.
- Do not place too cold environment and outside room and rain it use.
- Avoid effecting working do not put the machine under heating and sun shine directly.

### Use

#### Usage at the first time

- Keep machine in good position and open the door to ventilate.

- Although machine already cleaned from factory, please clean it before using.

- The machine should be empty work time ,then choose thermostat conneted electricity to try working. Because the machine is some hot normally the compressor should top after a little time working. When the inner side temperature down the machine can work or off automatic. We suggest to wait the inner side temperature down then put some into the show case.

### Thermostat

The cabinet temperature is controlled by the thermostat on the panel. The thermostat can set a suitable temperature range according to different ambient temperatures and different kinds and QTY of goods.

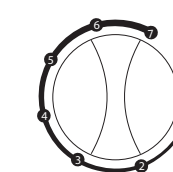
On the thermostat knob, there are positions from 0 to 7.

(Note: Position 0 - 7 identify refrigerations, not temperatures.)

Position 1 = Highest setting temperature

Position 7 = Lowest setting temperature (keep cooling all the time)

Position 0 = The compressor stop working



5

### Cleaning and maintaining the appliance

#### Cleaning

- Before cleaning ,pull out the plug.
- Using the soft cloth or sponge ,using clear water or soap liquid.
- Do not use organic , alkaline , hot water, acid to clean show case.
- Do not use water to clean compressor room when cleaning. After cleaning using cloth to clean water to avoid any rust.
- The hot food must be cool some time to put in to the fridge room. It will hurt the machine cooling if you put the hot food into fridge room.
- when put the food, please keep same distance one be one .Do not jam the cooling air out and inlet .outer wise the cooling air is not good. Even effect damaged.
- when machine is working. Do not open door of ten and reduce opening door. Keep the door closing well. Ti can save energy.
- Off or electricity-cut. It should wait 5 mins to turn on or connect electricity. Otherwise it will effect the machine life even happen damage.
- If inner side temperature is up because of electricity-cut or other failure. It will short and the machine using. We suggest to stop using and wait machine is ok to again.
- Please turn off and cut electricity if machine do not use long time and clean it as above way. After sealing it up for keeping.
- Avoid to effect the machine life. Do not stop using cut electricity keep 5 mins, then it can work again.

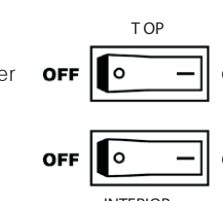
#### Defrost water

Normally, when compressor stop body temperature will rise. Evaporator frost will thaw and floe to the water box in compressor room by drain hose. User do need to defrot by something. The water that is in the water box will vaporise by hot when working compressor use no need manual defrost.

#### Illuminate

The illuminated lamp and advertised lamp switch located at the outer upper left side of the unit.

Press "O" , lamp is off, Press "1" , lamp is on .



6

### Replace the lamp

Lamp is damaged, please contact the professional maintenance, not to self-maintenance;

### Faults and diagnosing

No cooling	Bad cooling effects
<ul style="list-style-type: none"> <li>- Check if there is a power cut.</li> <li>- Check if the connection between the plug and the socket is good.</li> <li>- Check if the fuse is switched off.</li> <li>- Check if the currency protector is workable. ( If the appliance is fixed with a currency protector)</li> </ul>	<ul style="list-style-type: none"> <li>- Check if the thermostat is on a suitable position.</li> <li>- Check if the appliance is exposed to sunlight or near heat sources.</li> <li>- Check if there is dust on the compressor and condenser.</li> <li>- Check if the stored goods are too many.</li> <li>- Check if there is no enough spaces between the goods.</li> <li>- Check if some goods are hot.</li> <li>- Check if open the door too frequently.</li> <li>- Check if the door is closed wholly.</li> <li>- Check if the frost on inner cabinet is too thick.</li> </ul>
The appliance does not stop working	Big noise
<ul style="list-style-type: none"> <li>- Check if the thermostat is on too high temperature.</li> <li>- Check if put into too many goods.</li> <li>- Check if the ambient temperature is too high.</li> </ul>	<ul style="list-style-type: none"> <li>- Check if the ground is flat and sturdy.</li> <li>- Check if the appliance closes to walls.</li> <li>- Check if the appliance contacts something which is easily shocked.</li> </ul>

**Attention**

If a problem can not be handled according to the instruction manual, please contact the Service Dept soon. Do not try to repair the appliance by yourselves.

7

#### LIMITED WARRANTY

LIMITED WARRANTY KOOLMORE SUPPLY, INC. warrants to the original consumer or purchaser this KOOLMORE product is free from defects in material or workmanship for a period of One (1) year from the date of purchase. If any such defect is discovered within the warranty period, KOOLMORE SUPPLY, INC., at its discretion, will repair or replace the product at no cost or pay for replacement parts and repair labor to correct defects in materials or workmanship that existed when this major appliance was purchased or that are the result of normal usage when this major appliance is installed, operated and maintained according to instructions attached to or furnished with the product. At its sole discretion. Koolmore Supply Inc may determine to replace the product. In the event of product replacement, your appliance will be warranted for the remaining term of the original unit's warranty period.

This limited warranty is good only to the original purchaser of the product and effective only when used in the United States.

This limited warranty is effective from the date of original consumer purchase. Proof of original purchase date is required to obtain service under this limited warranty.

YOU'RE SOLE AND EXCLUSIVE REMEDY UNDER THIS LIMITED WARRANTY SHALL BE PRODUCT REPAIR AS PROVIDED HEREIN. Service must be provided by a Koolmore designated service company.

For warranty or repair service: Email us at support@koolmore.com include your name, address, phone number, warranty repair request, and a copy of your proof of purchase receipt. You can also visit us at koolmore.com and use the contact us page. KOOLMORE customer service will contact you and arrange prompt service for your appliance.

Thank you for choosing KOOLMORE.

#### THIS LIMITED WARRANTY DOES NOT APPLY TO

- 1.Failure of product to perform during power failures and interruptions or inadequate electrical service
- 2.Damage caused by transportation or handling
- 3.Damage caused to the product by accident, vermin, lightning winds, fire, floods, or acts of God.
- 4.Damage resulting from accident, alteration, misuse, abuse, or improper installation, repair, or maintenance. Improper use includes using an external device that alters or converts the voltage or frequency of electricity
- 5.Any unauthorized product modification, repair by unauthorized repair center, or use of non-approved replacement parts.
- 6.Abnormal cleaning and maintenance as described in the user's manual.
- 7.Use of accessories or components that are not compatible with this product.

The cost of repair or replacement under these excluded circumstances shall be borne by the consumer.

