



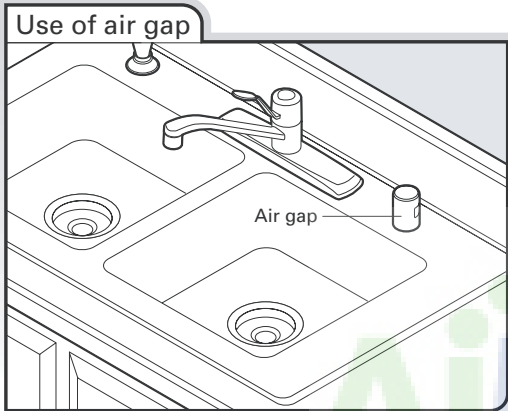
Undercounter Dishwasher

PRODUCT MODEL NUMBERS

MDB4630AW	MDBH949AW
MDB4709AW	MDBH969AW
MDB6709AW	MDBH979AW
MDB6769AW	MDBTT53AW

DRAIN REQUIREMENTS

- A new drain hose is supplied with your dishwasher. If this is not long enough, use a new drain hose with a maximum length of 12' (3.7 m) (Part Number 3385556) that meets all current AHAM/IAPMO test standards, is resistant to heat and detergent, and fits the 1" (2.5 cm) drain connector of the dishwasher.
- Make sure to connect drain hose to waste tee or disposer inlet above drain trap in house plumbing and 20" (50.8 cm) minimum above the floor. It is recommended that the drain hose either be looped up and securely fastened to the underside of the counter, or be connected to an air gap.



- Make sure to use an air gap if the drain hose is connected to house plumbing lower than 20" (50.8 cm) above subfloor or floor.

WATER SUPPLY REQUIREMENTS

- A hot water line with 20-120 psi (138-862 kPa) water pressure can be verified by a licensed plumber.

ELECTRICAL REQUIREMENTS

You must have:

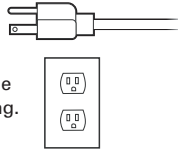
- 120-volt, 60 Hz, AC-only, 15- or 20- amp., fused electrical supply.
- copper wire only.

We recommend:

- a time-delay fuse or circuit breaker.
- a separate circuit.

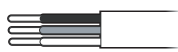
If connecting dishwasher with a power supply cord:

- Use UL Listed power supply cord kit (Part Number 4317824) marked for use with dishwasher.
- Power supply cord must plug into a grounded 3 prong outlet, located in the cabinet next to the dishwasher opening. Outlet must meet all local codes and ordinances.

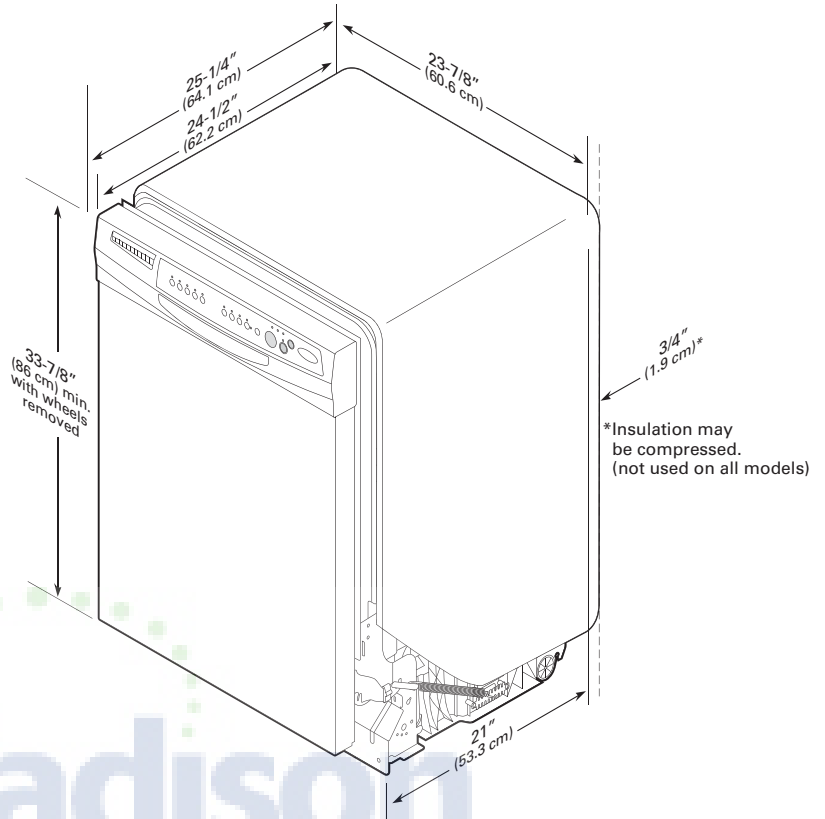


If connecting dishwasher with direct wiring:

- Use flexible, armored or non-metallic sheathed, copper wire with grounding wire that meets the wiring requirements for your home and local codes and ordinances.
- Use a UL Listed/CSA Approved strain relief.



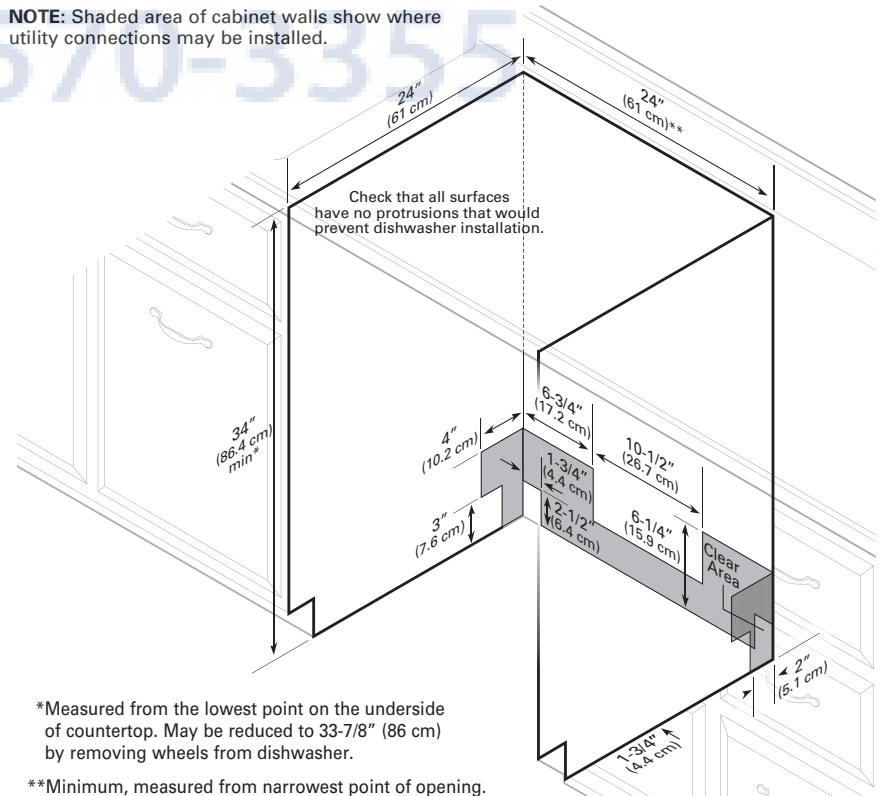
PRODUCT DIMENSIONS



CABINET CUTOUT DIMENSIONS

Corner locations require a 2" (5.1 cm) minimum clearance between the side of the dishwasher door and the wall or cabinet.

NOTE: Shaded area of cabinet walls show where utility connections may be installed.



*Measured from the lowest point on the underside of countertop. May be reduced to 33-7/8" (86 cm) by removing wheels from dishwasher.

**Minimum, measured from narrowest point of opening.