



**INSTALLATION INSTRUCTIONS
UNDERCOUNTER DISHWASHER
PLASTIC GIANT TUB MODELS**

**INSTRUCTIONS D'INSTALLATION
LAVE-VAISSELLE ENCASTRÉ
MODÈLES À TRÈS GRANDE CUVE EN PLASTIQUE**

Table of Contents 2
Table des matières 21

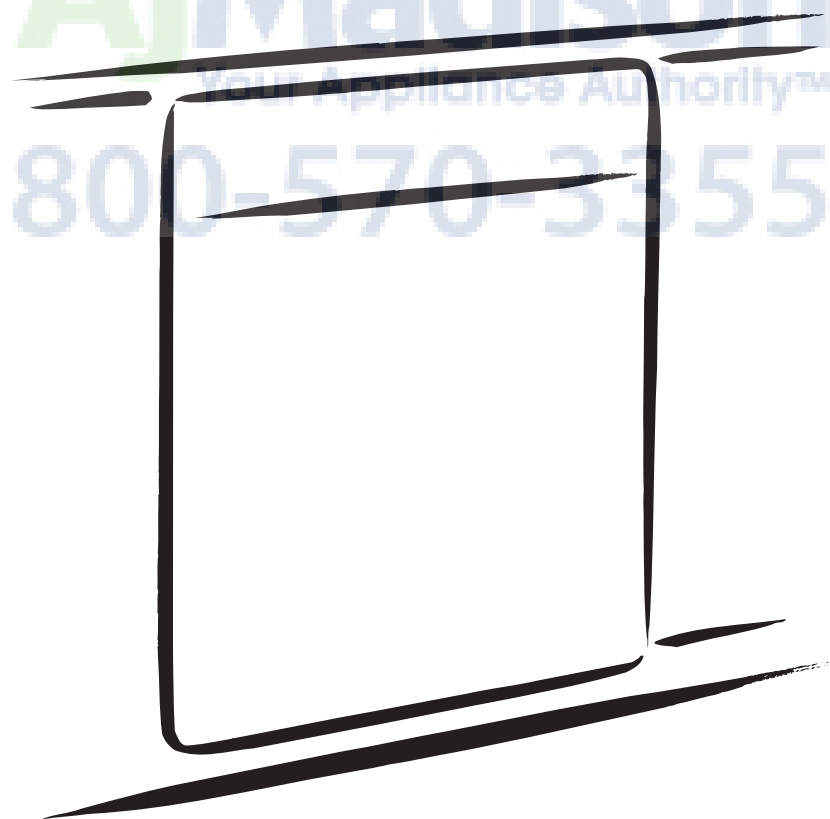


Table of Contents

Dishwasher Safety 2
Installation Requirements 3
 Tools and Parts 3
 Location Requirements 3
 Drain Requirements 5
 Water Supply Requirements 5
 Electrical Requirements 5
Installation Instructions 6
 Prepare Cabinet Opening—Existing Utilities 6
 Prepare Cabinet Opening—New Utilities 6
 Prepare and Route Water Line 7
 Install Drain Hose 8

Installation Instructions (cont.)

Prepare Dishwasher 10
Make Power Cord Electrical Connection 11
Determine Cabinet Opening 12
Install the door handle 13
Move Dishwasher into Cabinet Opening 13
Connect to Water Supply 15
Connect to Drain 16
Make Direct Wire Electrical Connection 16
Secure Dishwasher in Cabinet Opening 18
Complete Installation 19
Check Operation 20
If Dishwasher Does Not Operate 20
Additional Tips 20

DISHWASHER SAFETY

Your safety and the safety of others are very important.

We have provided many important safety messages in this manual and on your appliance. Always read and obey all safety messages.



This is the safety alert symbol.

This symbol alerts you to potential hazards that can kill or hurt you and others.

All safety messages will follow the safety alert symbol and either the word “DANGER” or “WARNING.”

These words mean:

⚠ DANGER

You can be killed or seriously injured if you don't immediately follow instructions.

⚠ WARNING

You can be killed or seriously injured if you don't follow instructions.

All safety messages will tell you what the potential hazard is, tell you how to reduce the chance of injury, and tell you what can happen if the instructions are not followed.

⚠ WARNING



Tip Over Hazard

Do not use dishwasher until completely installed.

Do not push down on open door.

Doing so can result in serious injury or cuts.

You Need to:

- Slowly open dishwasher door while someone grasps the rear of the dishwasher. Remove shipping materials, drain hose and lower rack. Close dishwasher door until latched.
- Observe all governing codes and ordinances.
- Install this dishwasher as specified in these instructions.
- Installation should be performed by a qualified service technician. The dishwasher must be installed to meet all electrical and plumbing national and local codes and ordinances.


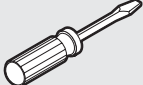
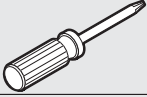
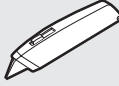
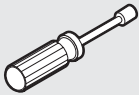


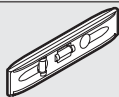


INSTALLATION REQUIREMENTS

Tools and Parts

Gather the recommended tools and parts before starting installation. Read and follow the instructions provided with any tools listed here.


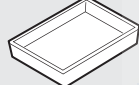
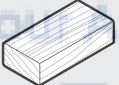
All Installations

Tools needed:




Pliers 	Flat-blade screwdriver 
Phillips screwdriver 	Utility knife 
5/16" and 1/4" nut drivers or hex sockets 	UL Listed/CSA Approved twist-on wire connectors* 
Measuring tape or ruler 	Small level 
10" adjustable wrench that opens to 1 1/8" (2.9 cm) 	5/8" open-end wrench 

*Must be the proper size to connect your household wiring to 16 gauge wiring in dishwasher

Other useful items you may need:



Flashlight 	Bath towel 
Shallow pan 	Wood block 

Parts supplied:



Drain hose clamps (2) (1 large and 1 small) 	Drain hose 	#10 x 1/2" Phillips-head screws (2) 
---	--	---

Make sure all these parts are included in the literature package.

Parts needed:

90° Elbow fitting with 3/8" N.P.T. external threads (the other end must fit your water supply line) 	Teflon® tape or pipe joint compound 
---	---

Other parts you may also need:

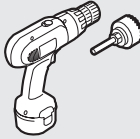

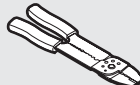
1 1/2"-2" (38.1- 5 cm) Screw-type clamps (3 maximum) 	Side mounting kit for solid surface countertops (Part Number 8212560) 	Masking or duct tape 
--	---	--

NOTE: Parts available for purchase in plumbing supply stores. Check local codes. Check existing electrical supply. See "Electrical Requirements" section. It is recommended that electrical connections be made by a licensed electrical installer.


® Teflon is a registered trademark of E.I. Du Pont de Nemours and Company.

In addition, for first-time installations

Tools needed:

Cordless drill with 1/2", 3/4" and 1 1/2" hole saw bits 	Small tubing cutter 	Wire stripper 
---	---	---

Parts needed:

Copper tubing (3/8" O.D. suggested) or flexible braided water supply line 	See "Electrical Requirements" section
	For Direct Wire: use UL Listed/CSA Approved strain relief to fit 7/8" (2.2 cm) hole
	For Power Supply Cord: use UL listed power supply cord kit marked for use with dishwasher (use grommet Part Number 302797 - not included)

Location Requirements

Grounded electrical supply required.

Do not run drain lines, water lines or electrical wiring where they can interfere with or contact dishwasher motor or legs.

The location where the dishwasher will be installed must provide clearance between motor and flooring. Motor should not touch the floor.

Do not install dishwasher over carpeted flooring.

Shelter dishwasher and water lines leading to dishwasher against freezing. Damage from freezing is not covered by the warranty.

A side panel kit is available from your dealer for installing your dishwasher at the end of your cabinetry.

A moisture barrier accessory (Part Number 4396277) is available from your dealer for installing underneath the countertop.

Check location where dishwasher will be installed. The location must provide:

- easy access to water, electricity and drain.
- convenient access for loading and unloading dishes. Corner locations require a 2" (5.1 cm) minimum clearance between the side of the dishwasher door and the wall or cabinet.
- square opening for proper operation and appearance.
- cabinet front perpendicular to floor.
- level floor. (If floor at front of opening is not level with floor at rear of opening, shims may be needed to level dishwasher.)

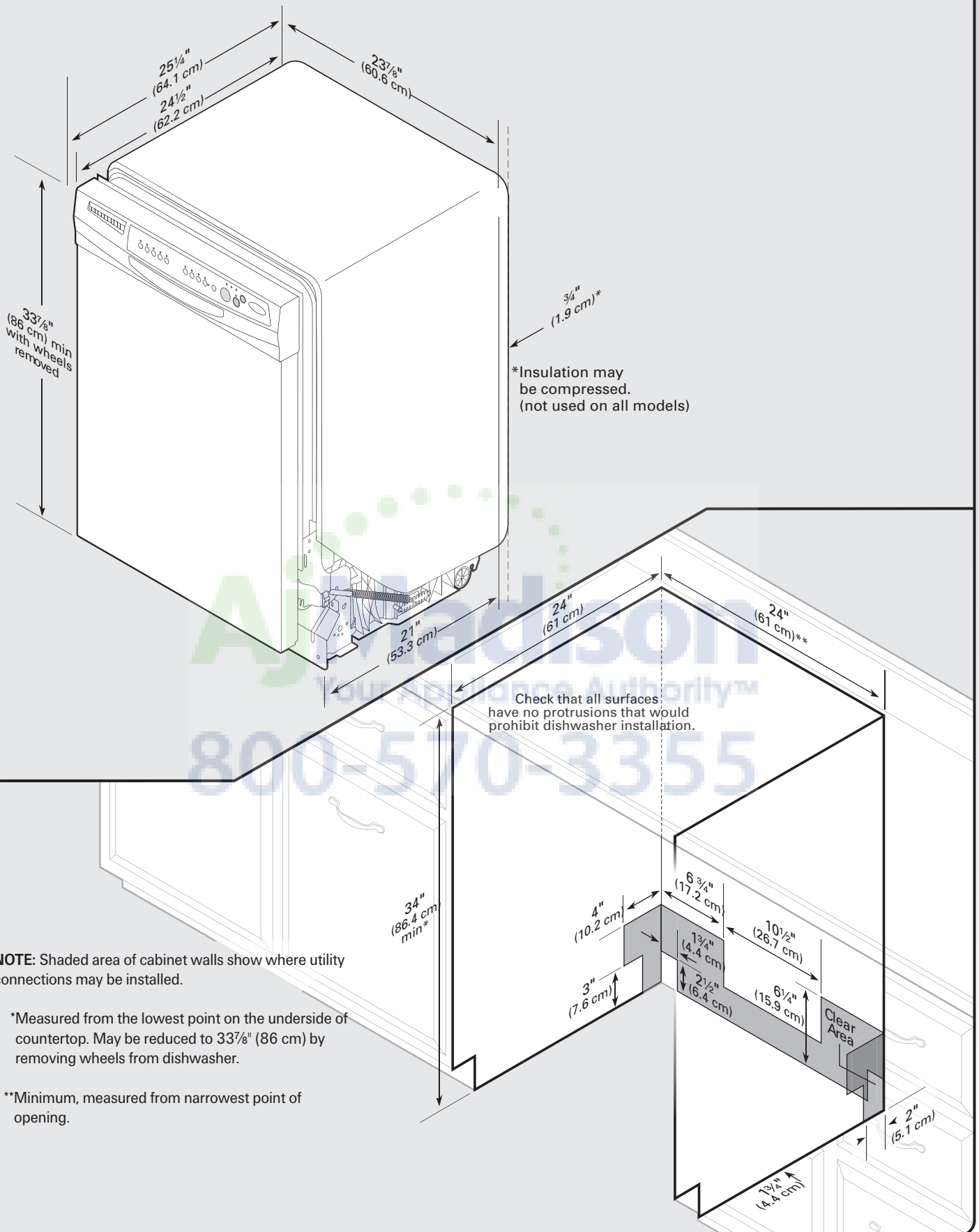
Helpful Tip: Be sure to accurately measure dimensions and ensure dishwasher is level if the floor in the dishwasher opening is uneven (example: flooring extends only partway into opening).

NOTE: To avoid shifting during dishwasher operation, shims must be securely attached to the floor.

If dishwasher will be left unused for a period of time or in a location where it may be subject to freezing, have it winterized by authorized service personnel.

Make sure pipes, wires and drain hose are within the shaded area shown in the "Product and Cabinet Opening Dimensions" section.

Product and Cabinet Opening Dimensions



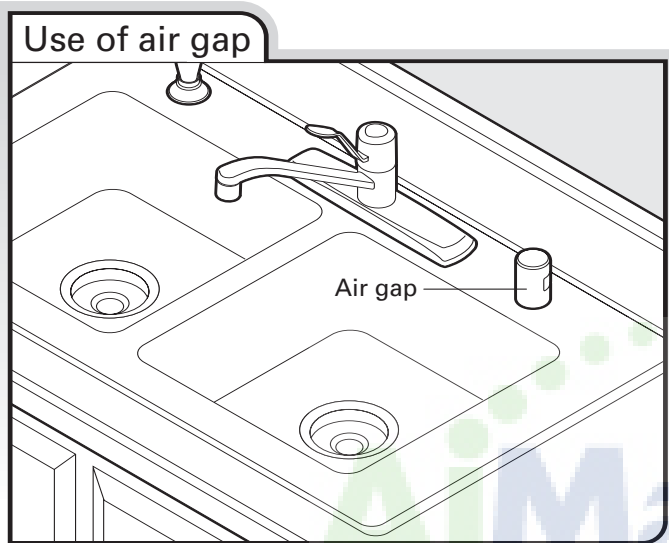
NOTE: Shaded area of cabinet walls show where utility connections may be installed.

*Measured from the lowest point on the underside of countertop. May be reduced to 33 7/8" (86 cm) by removing wheels from dishwasher.

**Minimum, measured from narrowest point of opening.

Drain Requirements

- A new drain hose is supplied with your dishwasher. If this is not long enough, use a new drain hose with a maximum length of 12' (3.7 m) (Part Number 3385556) that meets all current AHAM/IAPMO test standards, is resistant to heat and detergent, and fits the 1" (2.5 cm) drain connector of the dishwasher.
- Make sure to connect drain hose to waste tee or disposer inlet above drain trap in house plumbing and 20" (50.8 cm) minimum above the floor. It is recommended that the drain hose either be looped up and securely fastened to the underside of the counter, or be connected to an air gap.



- Make sure to use an air gap if the drain hose is connected to house plumbing lower than 20" (50.8 cm) above subfloor or floor.
- Use 1/2" minimum I.D. drain line fittings.
- If required the air gap should be installed in accordance with the air gap installation instructions, when connecting the air gap a rubber hose (not provided) will be needed to connect to the waste tee or disposer inlet.

Water Supply Requirements

- A hot water line with 20-120 psi (138-862 kPa) water pressure can be verified by a licensed plumber.
- 120°F (49°C) water at dishwasher.
- 3/8" O.D. copper tubing with compression fitting or flexible braided water supply line (Part Number 4396897RP)
NOTE: 1/2" minimum plastic tubing is not recommended.
- A 90° elbow with 3/8" N.P.T. external pipe threads on one end.
- Do not solder within 6" (15.2 cm) of the water inlet valve.

Electrical Requirements

Be sure that the electrical connection and wire size are adequate and in conformance with the National Electrical Code, ANSI/NFPA 70 - latest edition and all local codes and ordinances.

A copy of the above code standards can be obtained from:
National Fire Protection Association
1 Batterymarch Park
Quincy, MA 02269

You must have:

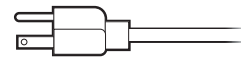
- 120-volt, 60 Hz, AC-only, 15- or 20- amp., fused electrical supply.
- copper wire only.

We recommend:

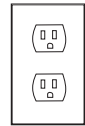
- a time-delay fuse or circuit breaker.
- a separate circuit.

If connecting dishwasher with a power supply cord:

- Use UL Listed power supply cord kit (Part Number 4317824) marked for use with dishwasher.



- Power supply cord must plug into a grounded 3 prong outlet, located in the cabinet next to the dishwasher opening. Outlet must meet all local codes and ordinances.



If connecting dishwasher with direct wiring:

- Use flexible, armored or non-metallic sheathed, copper wire with grounding wire that meets the wiring requirements for your home and local codes and ordinances.
- Use a UL Listed/CSA Approved strain relief.



INSTALLATION INSTRUCTIONS

⚠ WARNING



Electrical Shock Hazard

Disconnect electrical power at the fuse box or circuit breaker box before installing dishwasher.
Failure to do so can result in death or electrical shock.

1 Disconnect power

Disconnect electrical power at the fuse box or circuit breaker box before installing dishwasher.

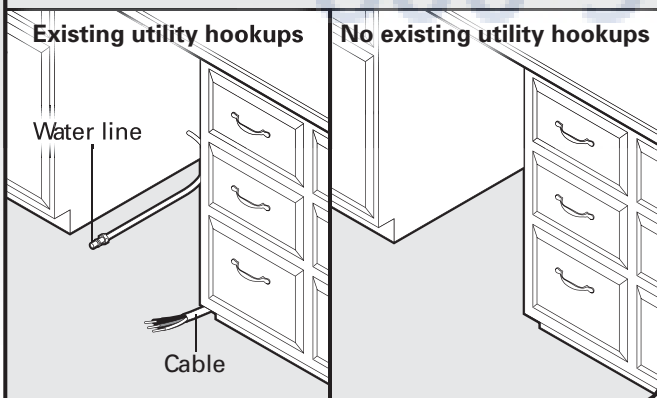
2 Shut off water supply

Shut off the water supply to the dishwasher.

3 Do you already have utility hookups?

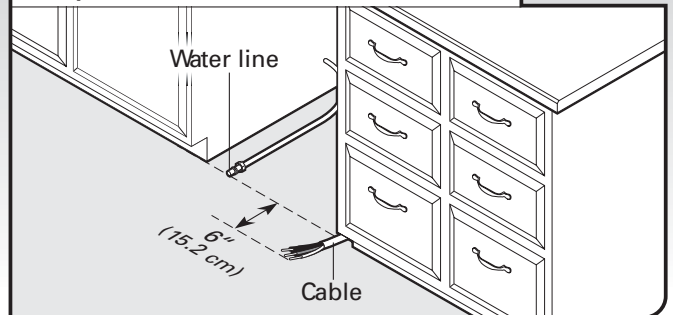
Yes—Follow instructions in the “Prepare Cabinet Opening—Existing Utilities” section.

No—Follow instructions in the “Prepare Cabinet Opening—New Utilities” section.



Prepare Cabinet Opening—Existing Utilities

1 Check water and electrical placement



If the water line and the cable extend to the locations shown, proceed to the “Install Drain Hose” section. If they do not reach far enough, follow the instructions in the “Prepare Cabinet Opening—New Utilities” section.

Prepare Cabinet Opening—New Utilities

Prepare and route the electrical supply

What type of electrical connection will you use?



Power Supply Cord:
Follow Option A instructions

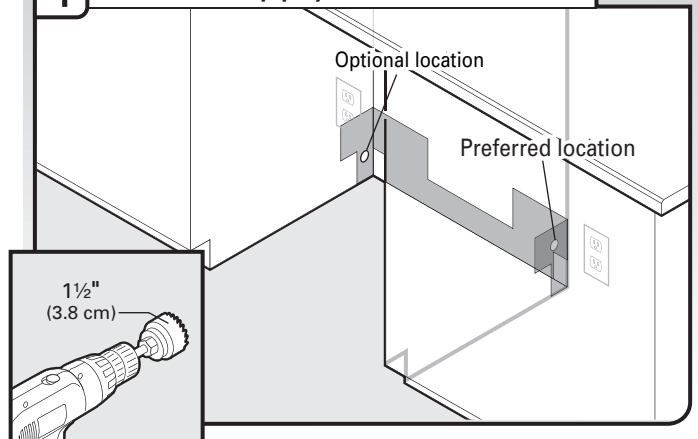


Direct Wire:
Follow Option B instructions

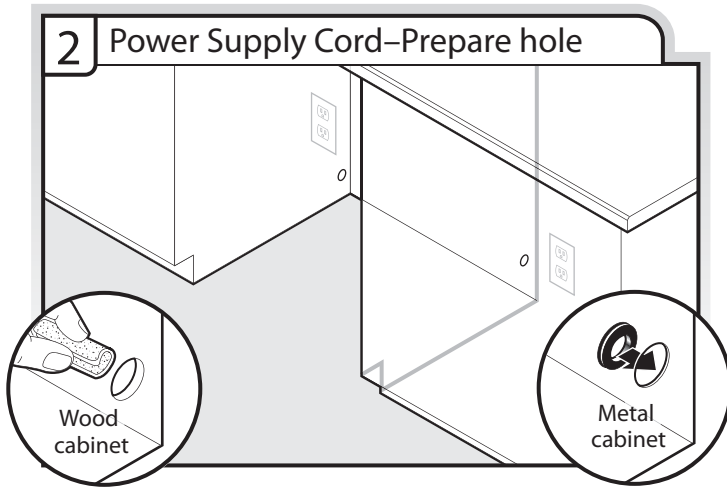
Option A, Power Supply Cord:

NOTE: A grounded 3 prong outlet is required inside a cabinet next to the dishwasher cabinet opening.

1 Power Supply Cord-Drill hole



Drill a 1½” (3.8 cm) hole in cabinet side or rear. See product and cabinet opening dimensions.

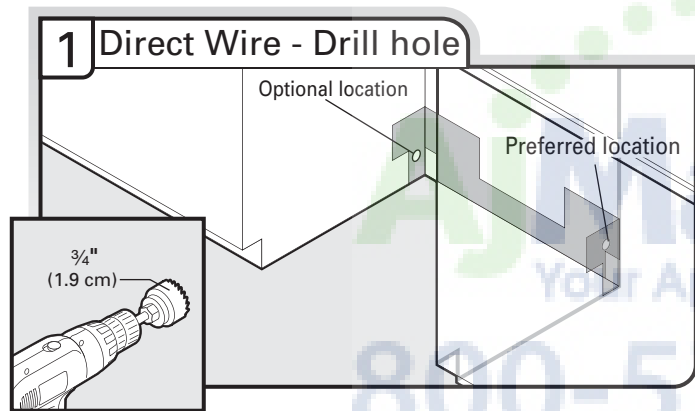


Wood cabinet: Sand hole until smooth.

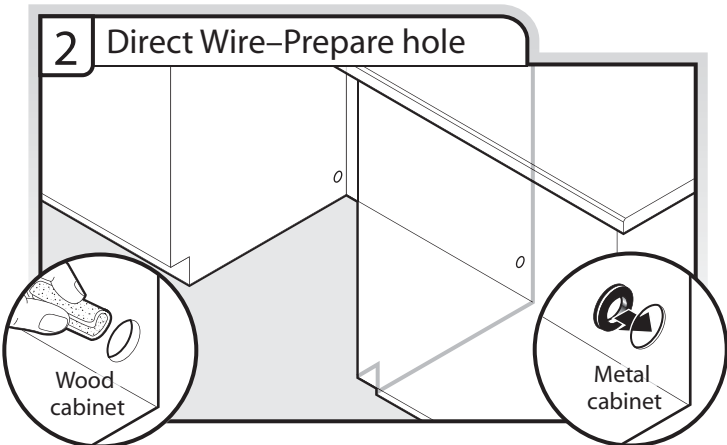
Metal cabinet: Cover hole with grommet (Part Number 302797) included with power supply cord kit.

Option B, Direct Wire:

Helpful Tip: Wiring the dishwasher will be easier if you route the cable into the cabinet opening from the right-hand side.

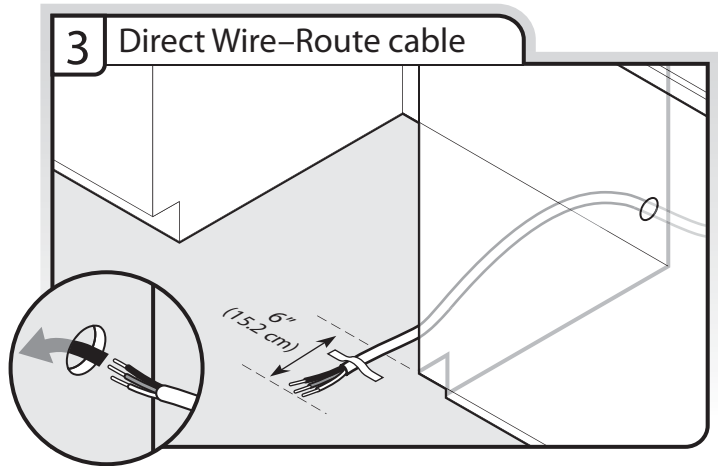


Drill a 3/4" (1.9 cm) hole in right-hand cabinet side or rear. See product and cabinet opening dimensions.



Wood cabinet: Sand hole until smooth.

Metal cabinet: Cover hole with grommet (Part Number 302797 - not provided).

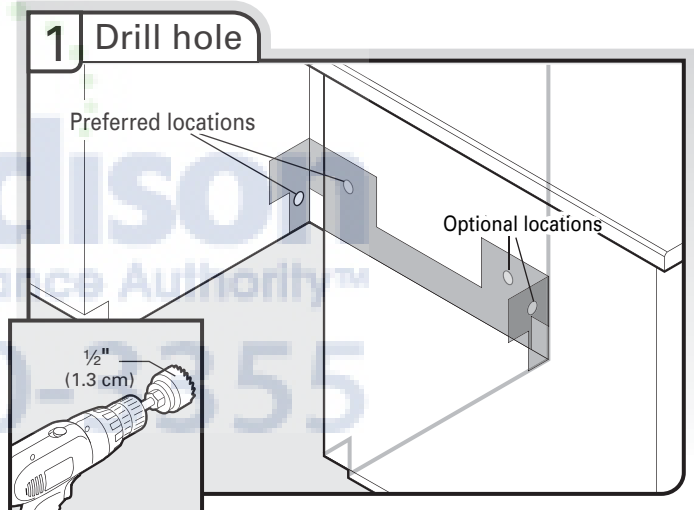


Route cable from power supply through cabinet hole (cable must extend to the right front side of cabinet opening).

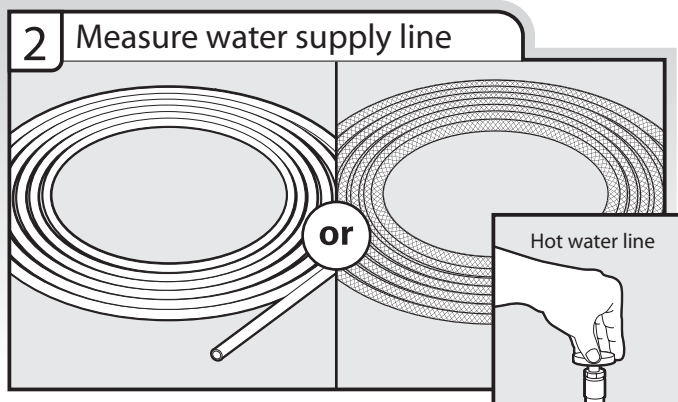
Tape cable to the floor in area shown. This will prohibit cable from moving when dishwasher is moved into cabinet opening.

Prepare and Route Water Line

Helpful Tip: Routing the water line through the left side of cabinet opening will make water connection easier.

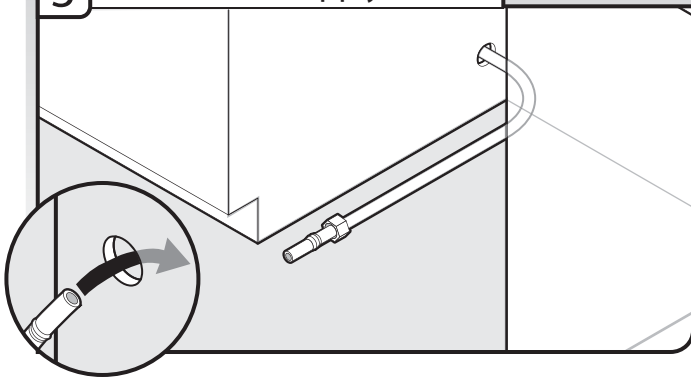


Drill a 1/2" (1.3 cm) hole in the cabinet side or rear.



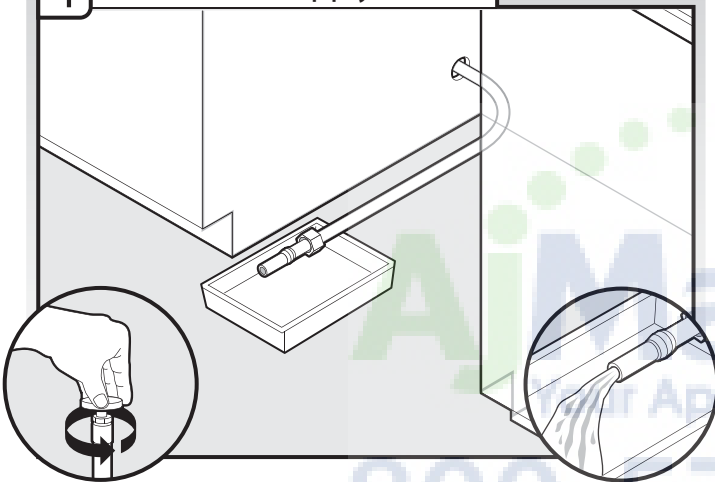
Measure overall length of copper tubing or flexible braided water supply line. Attach to the hot water line using a connection configuration that is in compliance with local codes and ordinances. The water line to the dishwasher should have a manual shutoff valve.

3 Route water supply line



Slowly route water supply line through hole in cabinet. (If using copper tubing, it will bend and kink easily, so be gentle.) It should be far enough into the cabinet opening to connect it to the dishwasher inlet on the front left side of the dishwasher.

4 Flush water supply line

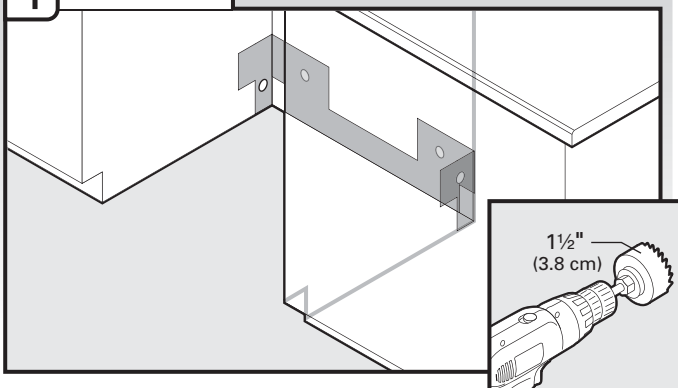


Slowly turn water shutoff valve to "ON" position. Flush water into a shallow pan until clear to get rid of particles that could clog the inlet valve. Turn shutoff valve to "OFF" position.

Install Drain Hose

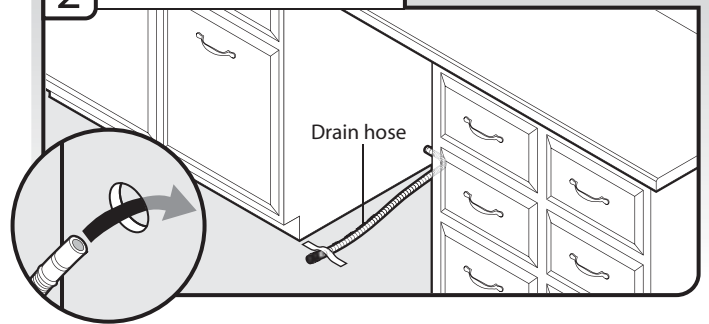
IMPORTANT: Always use a new drain hose. Check local codes to determine if an air gap is required.

1 Drill hole



If needed, drill a 1 1/2" (3.8 cm) diameter hole in cabinet wall or side of the opening closest to the sink.

2 Route drain hose



Route drain hose as shown through hole in cabinet to the front center of opening where drain connection will be made. Tape drain hose to the floor in area shown. This will prohibit it from moving when dishwasher is moved into cabinet opening.

3 Connect drain hose

Connect drain hose to waste tee or waste disposer using one of the following options:

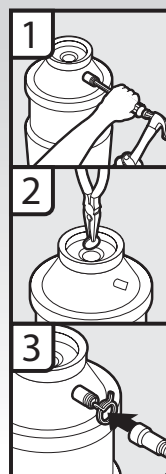
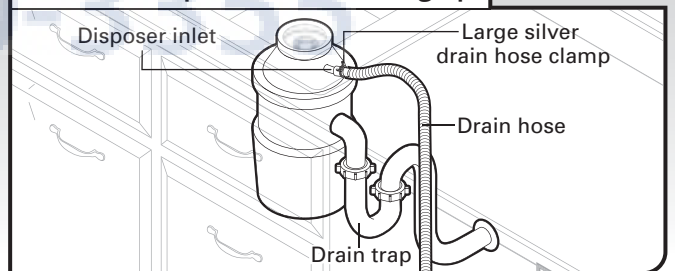
- Option A, Waste disposer - no air gap
- Option B, No Waste disposer - no air gap
- Option C, Waste disposer - with air gap
- Option D, No waste disposer - with air gap

IMPORTANT: The drain hose connection of the disposer or a waste tee must be made before the drain trap and at least 20" (50.8 cm) above the floor where the dishwasher will be installed.

Helpful Tip: To reduce vibration of the hose, keep the hose away from the floor.

Option A, Waste disposer – no air gap

Waste disposer – no air gap

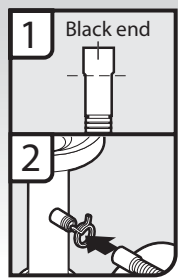
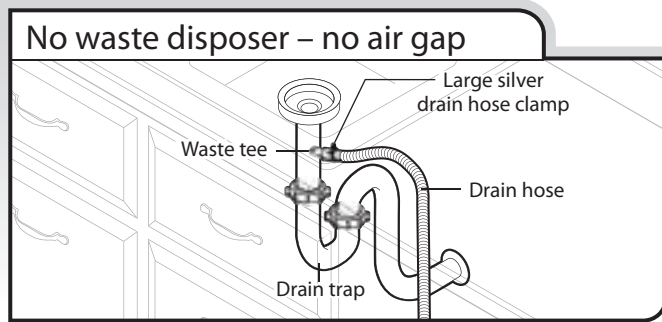


1. Using a hammer and screwdriver, knock plug into disposer.

2. Use needle-nose pliers to remove plug.

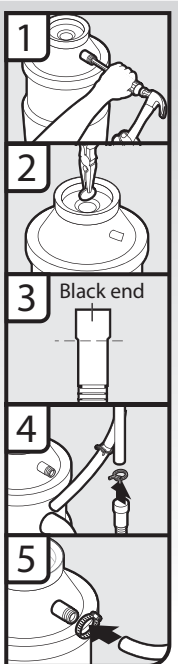
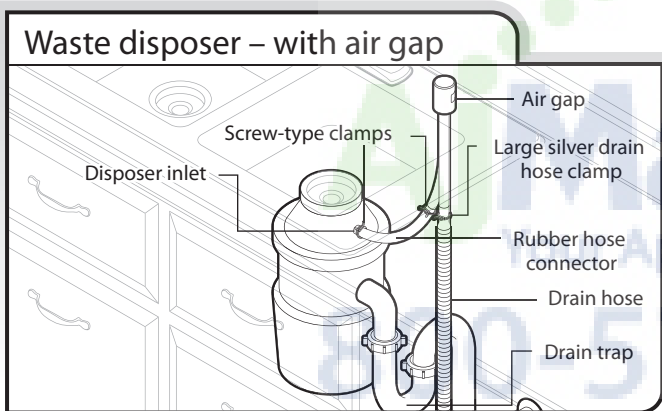
3. Attach drain hose to disposer inlet with large silver drain hose clamp (provided). Use pliers to squeeze clamp open and move into position.

Option B, No waste disposer – no air gap



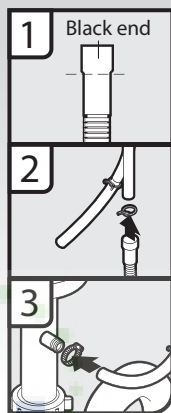
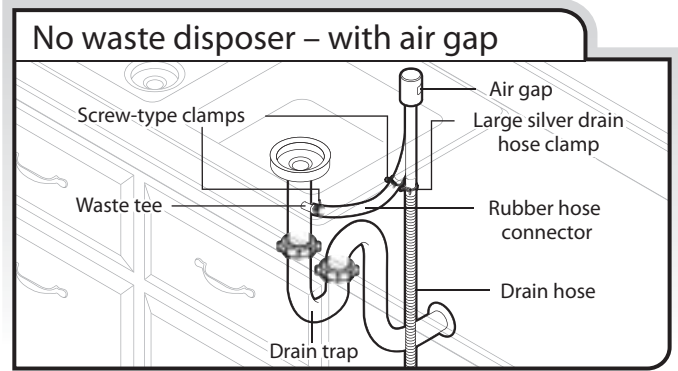
1. Connect black end of of drain hose to waste tee and cut if needed. (Do not cut ribbed section.)
2. Attach black end of drain hose to waste tee with a large silver drain hose clamp (provided). Use pliers to squeeze clamp open and move into position. If the drain hose was cut use a 1½" to 2" (3.8 to 5 cm) screw-type clamp (not provided).

Option C, Waste disposer – with air gap



1. Using a hammer and screwdriver, knock plug into disposer.
2. Use needle-nose pliers to remove plug.
3. Connect black end of drain hose to air gap and cut if needed. (Do not cut ribbed section.)
4. Attach drain hose to air gap with large silver drain hose clamp (provided). Use pliers to squeeze clamp open and move into position. If the drain hose was cut, use a 1½" to 2" (3.8 to 5 cm) screw-type clamp (not provided).
5. Use a rubber hose (not provided) with screw-type clamps (not provided) to connect from air gap to disposer inlet.

Option D, No waste disposer – with air gap



1. Connect black end of drain hose to air gap and cut if needed. (Do not cut ribbed section.)
2. Attach drain hose to air gap with large silver drain hose clamp (provided). Use pliers to squeeze clamp open and move into position. If the drain hose was cut, use a 1½" to 2" (3.8 to 5 cm) screw-type clamp (not provided).
3. Use a rubber hose (not provided) with screw-type clamps (not provided) to connect from waste tee to air gap.

Prepare Dishwasher

⚠ WARNING



Tip Over Hazard

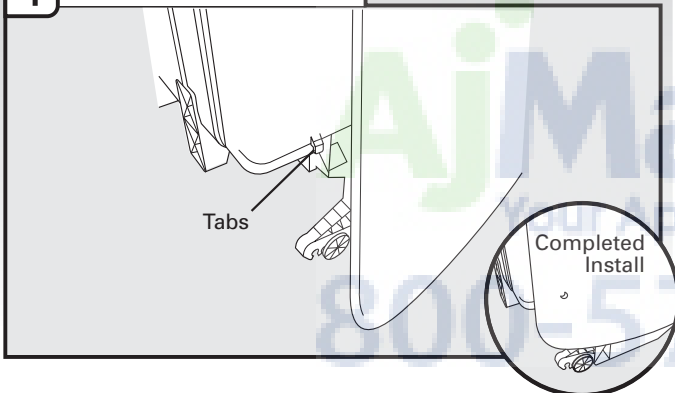
Do not use dishwasher until completely installed.
Do not push down on open door.
Doing so can result in serious injury or cuts.

⚠ WARNING

Excessive Weight Hazard

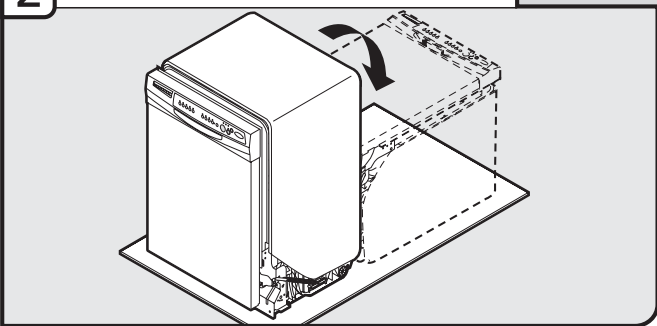
Use two or more people to move and install dishwasher.
Failure to do so can result in back or other injury.

1 Attach insulation



Using the precut slots in the insulation, fasten the insulation over the molded hooks on the tub. Be sure to fasten the insulation down on both sides of the tub.

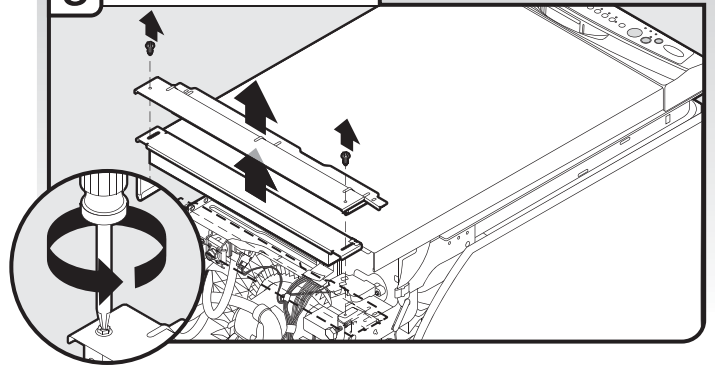
2 Put dishwasher on its back



Helpful Tip: Place cardboard under dishwasher until installed in cabinet opening to avoid damaging floor covering. Do not use door panel as a work table without first covering with a towel to avoid scratching the door panel.

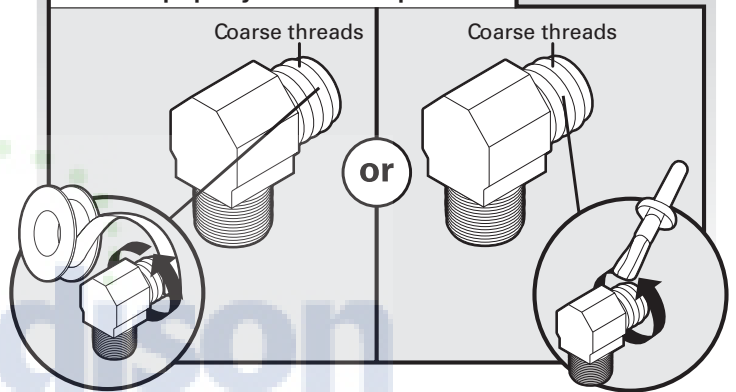
Using two or more people, grasp sides of dishwasher door frame and place dishwasher on its back.

3 Remove panels



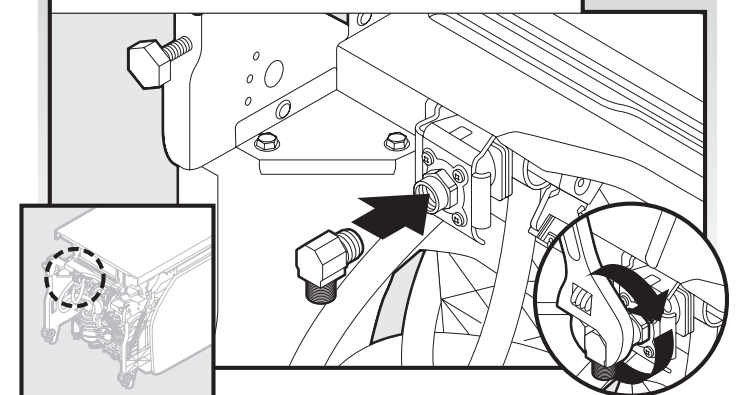
Using a 1/4" hex head socket, nut driver or Phillips screwdriver, remove two screws attaching access panel and lower panel to dishwasher. Do not remove tech sheet from access panel.

4 Apply Teflon® tape or pipe joint compound



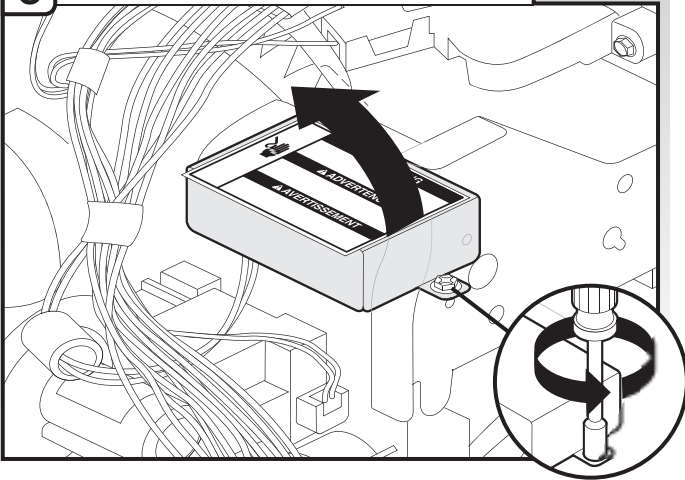
Apply Teflon® tape or pipe joint compound to 90° elbow fitting (not provided). Wrap tape around coarse threads two to four times to avoid leaks.

5 Connect 90° elbow fitting to water inlet valve



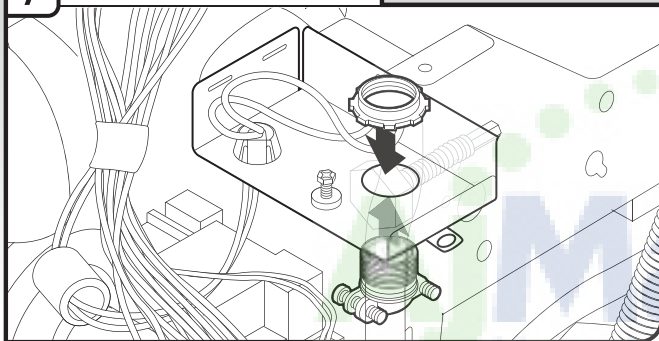
Connect 90° elbow fitting to water inlet valve. Using a wrench, tighten elbow until snug, and be sure that it faces to the rear.

6 Remove terminal box cover



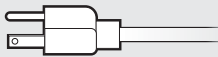
Using a 1/4" hex head socket, nut driver or Phillips screwdriver, remove terminal box cover. Retain for later use.

7 Install strain relief



Install a UL Listed/CSA Approved strain relief. Make sure screwheads are facing to the left when tightening conduit nut. Strain relief may be provided with the power supply cord kit.

What type of electrical connection will you use?

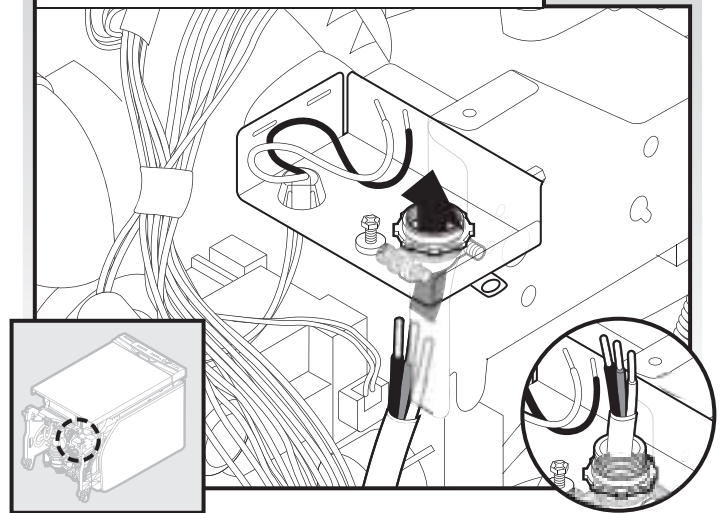
 Power Supply Cord:
Follow Option A instructions

 Direct Wire:
Follow Option B instructions

Make Power Supply Cord Connection

Option A, Power Supply Cord:

1 Power Cord—Route cord into terminal box



Route cord so that it does not touch dishwasher motor to lower part of dishwasher tub. Pull cord through strain relief in terminal box.

Select UL Listed/CSA Approved twist-on wire connectors (not included) rated to connect your household wiring to 16-gauge dishwasher wiring.

⚠ WARNING



Electrical Shock Hazard

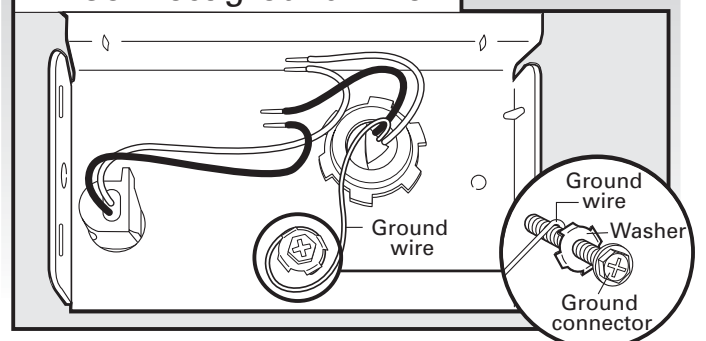
Electrically ground dishwasher.

Connect ground wire to green ground connector in terminal box.

Do not use an extension cord.

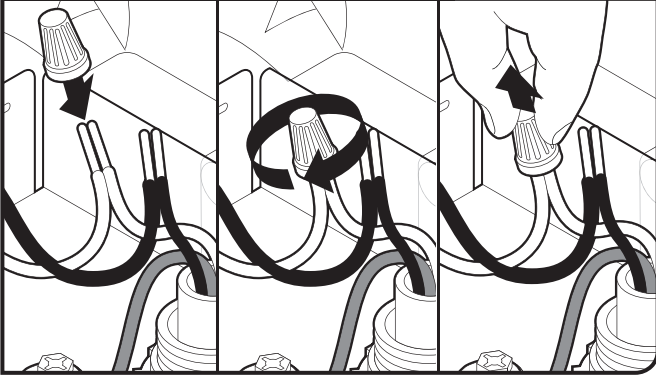
Failure to follow these instructions can result in death, fire, or electrical shock.

2 Power Supply Cord—Connect ground wire



Remove the green grounding screw and place through the ring terminal of the green ground wire. Reattach and tighten the green screw.

3 Power Cord—Connect remaining wires



NOTE: Do not pre-twist stranded wire. Twist on wire connector. Gently tug on wires to be sure both are secured.

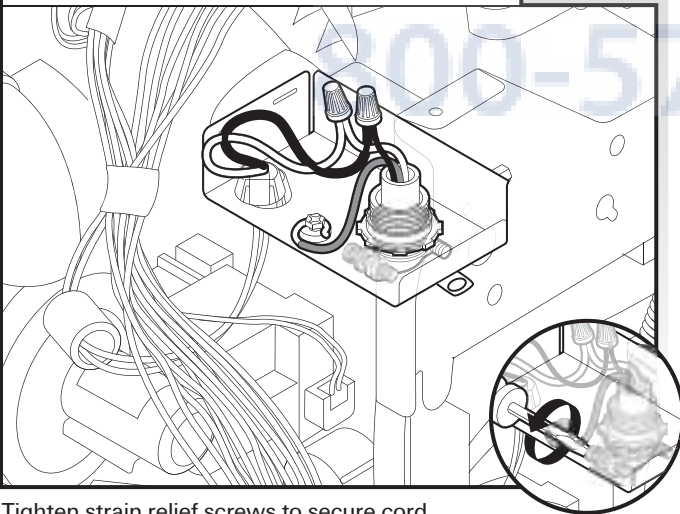
Connect wires black to black and white to white, using UL Listed/CSA Approved twist-on wire connectors (not included).

Wiring configuration

Power supply wire:	Terminal box wire:
white	white
black	black
ground wire	ground connector

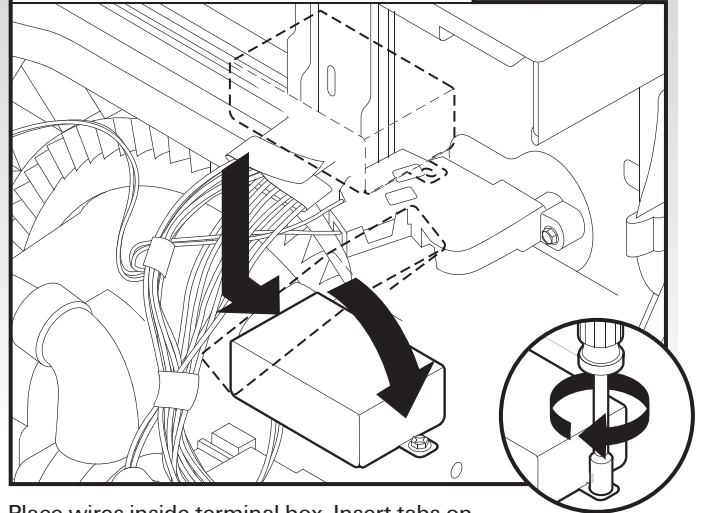
If needed, see website for animated representation of this step. Visit www.whirlpool.com under FAQ tab.

4 Power Cord—Secure cord on conduit connector



Tighten strain relief screws to secure cord.

5 Power Cord—Reinstall terminal box cover

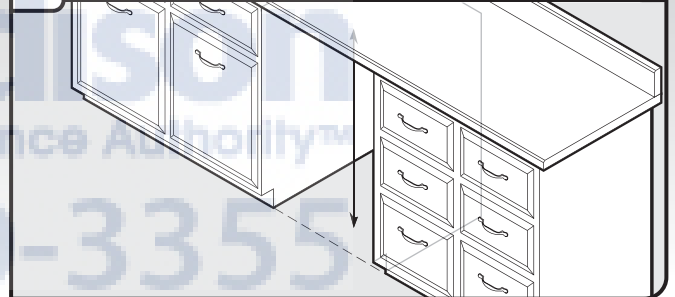


Place wires inside terminal box. Insert tabs on left side of cover. Make sure wires are tucked inside box. Close cover ensuring wires are not pinched. Use 1/4" nut driver and previously removed screw to secure cover.

NOTE: Do not plug into outlet until instructed.

Determine Cabinet Opening

1 Measure cabinet opening



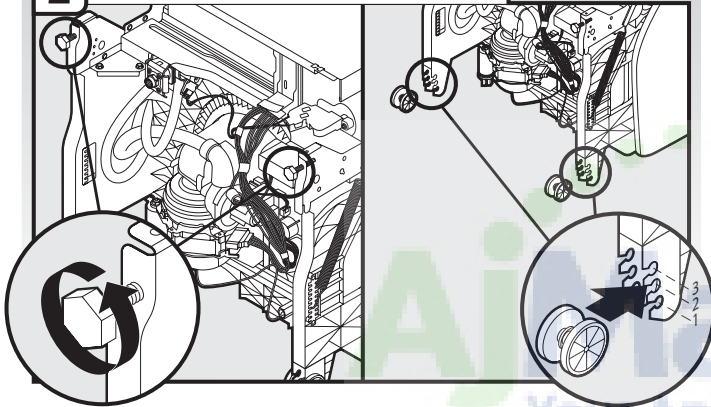
Measure height of cabinet opening from underside of countertop to floor where dishwasher will be installed (you will need to measure the lowest point on the underside of the countertop and the highest point on the floor). Refer to "Dishwasher Height Adjustment Chart" for wheel position and the number of turns needed.

Dishwasher Height Adjustment Chart

Cabinet opening height	Wheel position	Number of turns on front leg
33 ⁷ / ₈ " (86.0 cm)	Removed	All the way up
34" (86.4 cm)	1	10
34 ¹ / ₄ " (87 cm)	2	5
34 ¹ / ₂ " (87.6 cm)	3	0

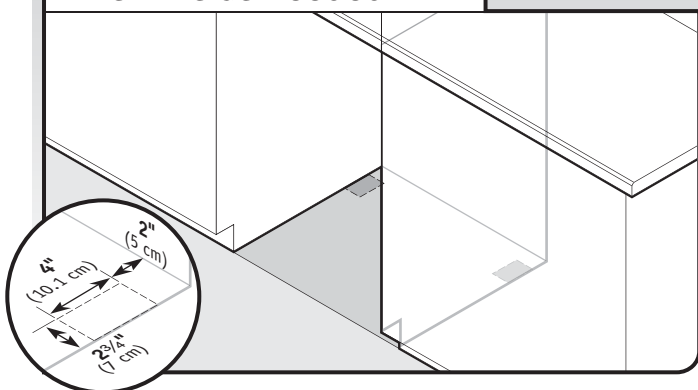
NOTE: If the minimum cabinet opening height is less than 34" (86.4 cm), the rear wheels can be removed for additional clearance. This will allow the dishwasher to fit into a 33⁷/₈" (86 cm) high cabinet opening, but the dishwasher will be more difficult to move. (Measurements are approximate. Wheels and legs are preset at the factory for 34¹/₂" (87.6 cm).)

2 Adjust wheels and legs



Turn both leveler legs to the same height. Put wheels in the required position determined from "Dishwasher Height Adjustment Chart". (To change wheel position, use a flat-blade screwdriver to pop out the wheel, then snap into the new position.)

3 Built-up Floors — Add shims as needed

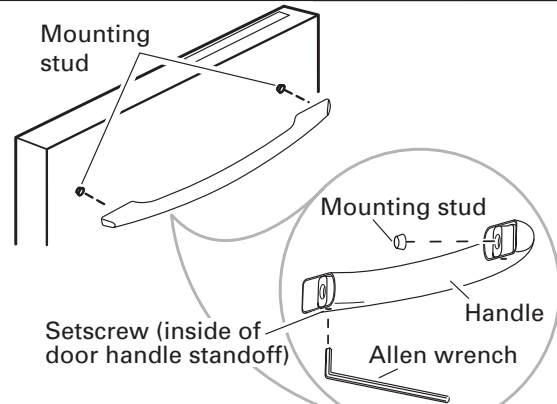


Built-up floors (Kitchen floor height is higher than cabinet opening.) Example: Kitchen floor tile does not extend into cabinet opening. Add shims as needed in the area shown to bring the dishwasher up to 34" (86.4 cm) below the countertop.

NOTE: Shims must be securely attached to floor to prohibit movement when the dishwasher is in use.

Install the Door Handle (on some models)

Install door handle

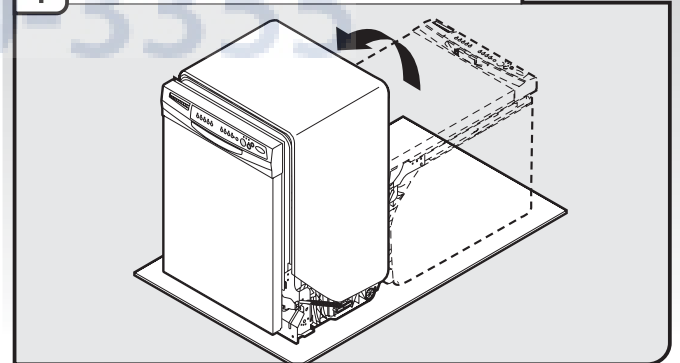


IMPORTANT: Do not scratch the front panel during this procedure.

Remove the door handle and hardware bag containing the setscrews and Allen wrench from the cardboard box. Start setscrews in handle. Place handle on mounting studs with the setscrews facing down. Push the door handle tightly against the door. Insert the short end of the Allen wrench into the setscrews. Tighten the setscrews 1/4 turn past snug.

Move Dishwasher into Cabinet Opening

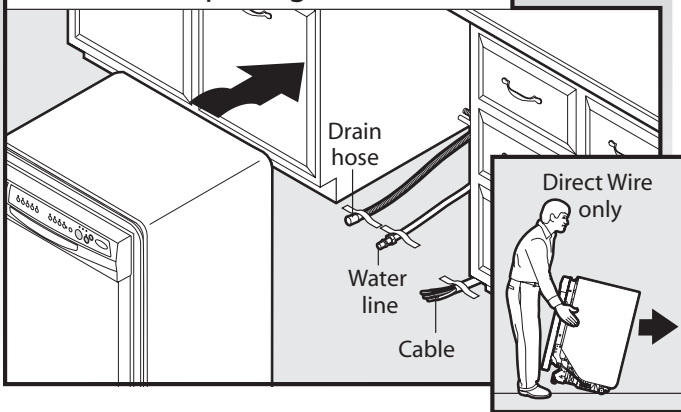
1 Stand dishwasher upright



Using two or more people, stand dishwasher upright.

NOTE: Do not install kickplate until instructed.

2 Move dishwasher close to cabinet opening

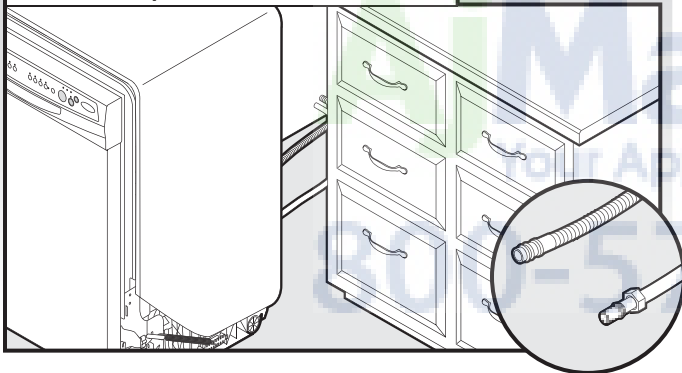


IMPORTANT: Double check correct placement of utilities. Grasp the sides of the dishwasher at the edges of the door panel. Tilt dishwasher backwards on wheels and move dishwasher close to cabinet opening.

NOTE: Do not push on the front of the panel or on the console—they may dent.

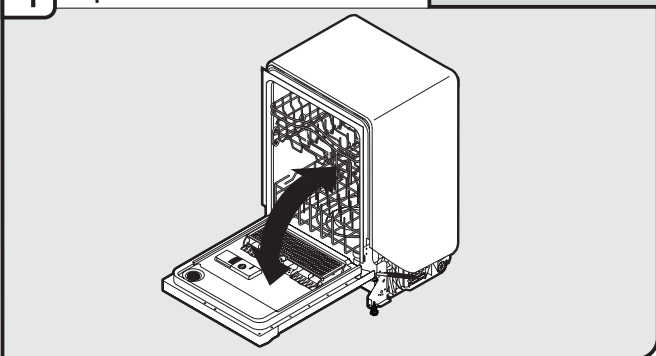
Helpful Tip: Temporarily tape utilities to the floor in the locations shown to prohibit them from moving when dishwasher is moved into the cabinet opening.

3 Check water and drain hose position



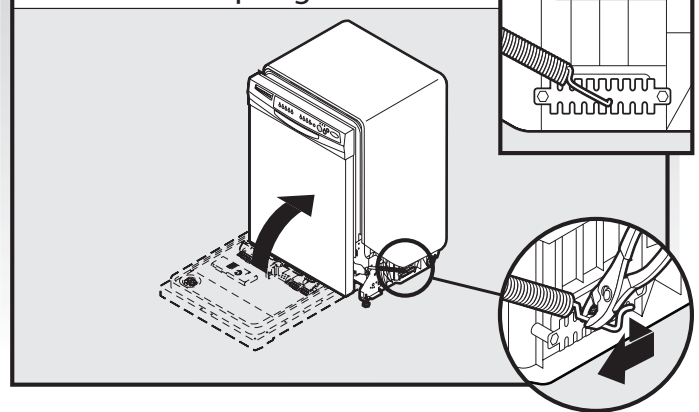
Check that water line is on the left side of opening and drain hose is near the center of the cabinet opening.

4 Open and close door



With another person holding the dishwasher to avoid it from tipping, open and close the door a few times. If the door closes or falls open under its own weight, the door tension will need to be adjusted.

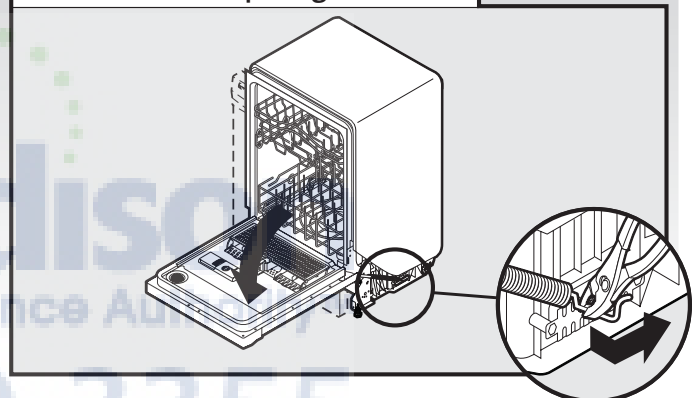
5 Closes too quickly— Decrease spring tension



If the door closes too quickly, decrease the spring tension by moving the spring end toward the front of the dishwasher.

NOTE: Springs should be in the same notches on left and right sides.

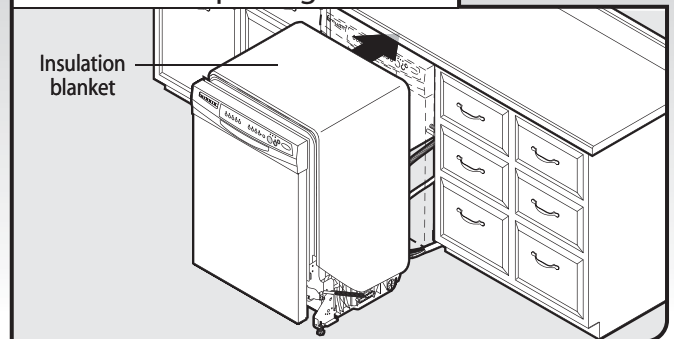
6 Door falls open— Increase spring tension



If the door falls open, increase the spring tension by moving the spring end toward the back of the dishwasher.

NOTE: Springs should be in the same notches on left and right sides.

7 Move dishwasher into cabinet opening

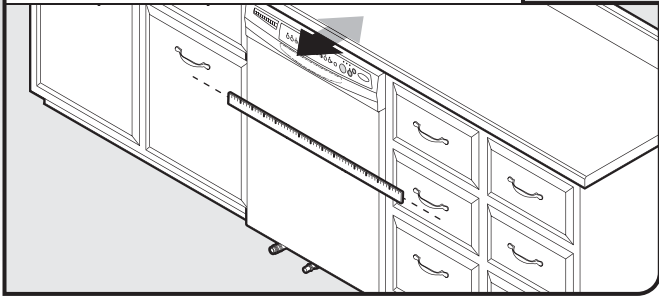


IMPORTANT: If wheels were removed, avoid damage to the floor when moving the dishwasher. Slowly move dishwasher completely into cabinet opening. Do not kink or pinch water line, drain hose, power supply cord or direct wire between dishwasher and cabinet. Remove cardboard from under dishwasher.

NOTE: It is all right if dishwasher fits tightly into cabinet opening. Do not remove insulation blanket – the blanket reduces the sound level.

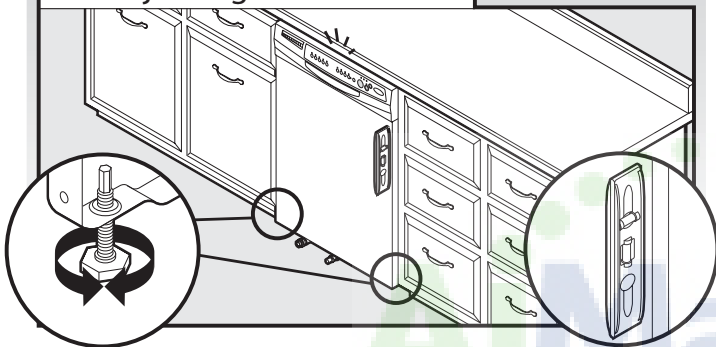
NOTE: If using power cord, make sure to route end through hole in cutout before sliding into cabinet opening.

8 Align front of dishwasher with front of cabinet doors



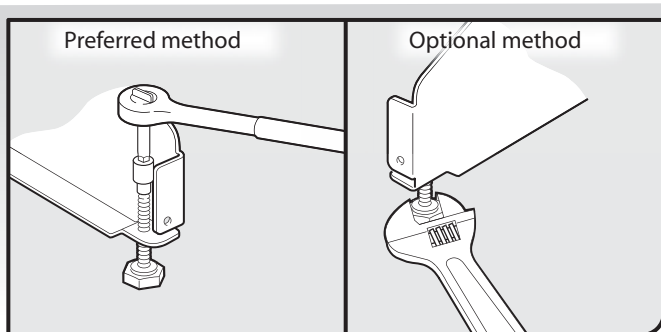
Align front of dishwasher door panel with front of cabinet doors. You may need to adjust alignment to be even with your cabinets.

9 Check for plumb and adjust legs if needed

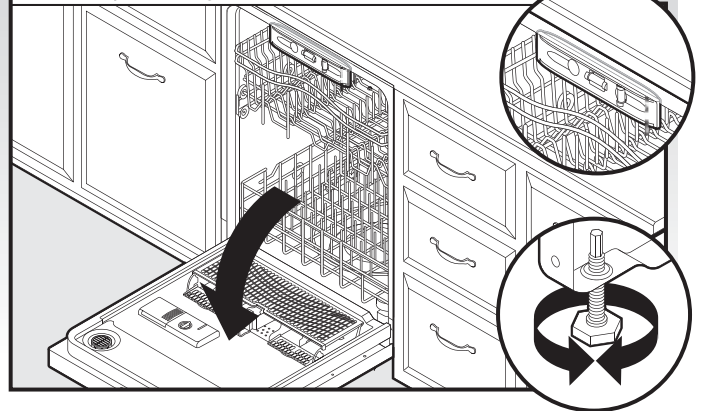


Check that leveling legs are firmly against the floor. Close and latch the door, and place level against the front panel. Check that dishwasher is centered from front to back in the opening. If needed, adjust leveling leg until dishwasher is plumb. Repeat for other side of dishwasher.

Helpful Tip: Push up on front of dishwasher to raise dishwasher off the ground to adjust front legs. With some installations, it may be easier to adjust the front leg using the $\frac{3}{16}$ " hex head socket or adjustable wrench.



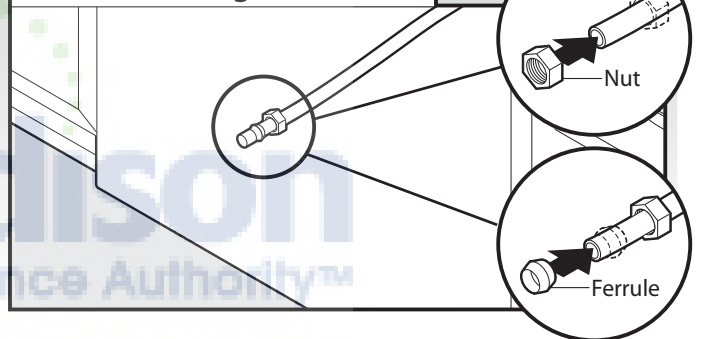
10 Check level side to side and adjust legs if needed



Place level against top front opening of tub. Check that dishwasher is level from side to side. If dishwasher is not level, adjust front legs up or down until dishwasher is level.

Connect to Water Supply

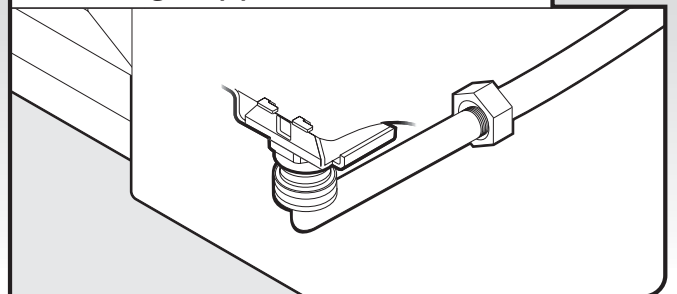
1 Slide nut and ferrule onto tubing



Copper tubing only: Slide nut then ferrule onto copper tubing about 1" (2.5 cm).

NOTE: To avoid vibration during operation, route the water supply line so that it does not touch the dishwasher base, frame or motor.

2 Connect water supply using copper or flexible line

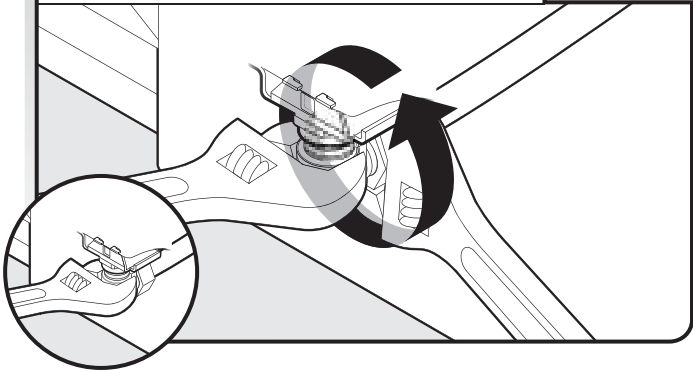


Copper tubing only: Put the tubing into the 90° elbow fitting as far as it will go (the copper tubing bends and kinks easily). Slide the nut and ferrule forward and start the nut onto the elbow threads.

Flexible braided connection: Secure nut to elbow using $\frac{5}{8}$ " open ended wrench or adjustable wrench.

NOTE: Do not use Teflon® tape with compression fittings.

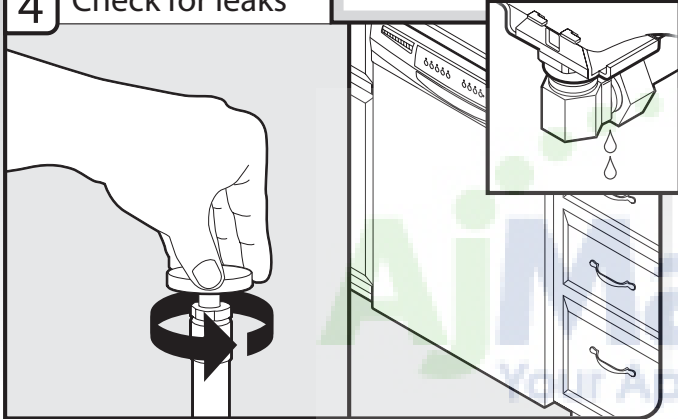
3 Tighten copper or braided tubing connection



Hold the 90° elbow fitting still with one adjustable wrench and tighten the nut with second adjustable wrench.

Helpful Tip: Use a 5/8 open ended wrench for easier access to tighten connection.

4 Check for leaks

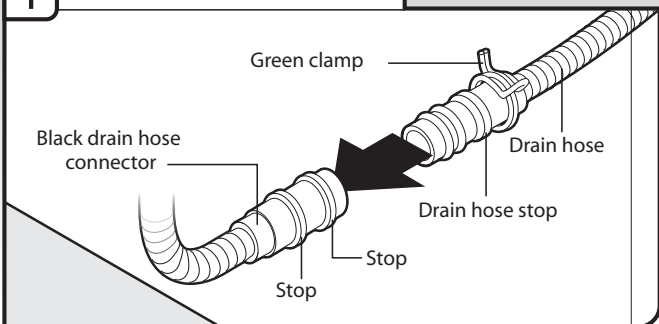


Place paper towel under 90° elbow fitting. Turn on water supply and check for leaks. If leak occurs, repeat previous step.

If needed, see website for animated representation of this step. Visit www.whirlpool.com/watersupply under FAQ tab.

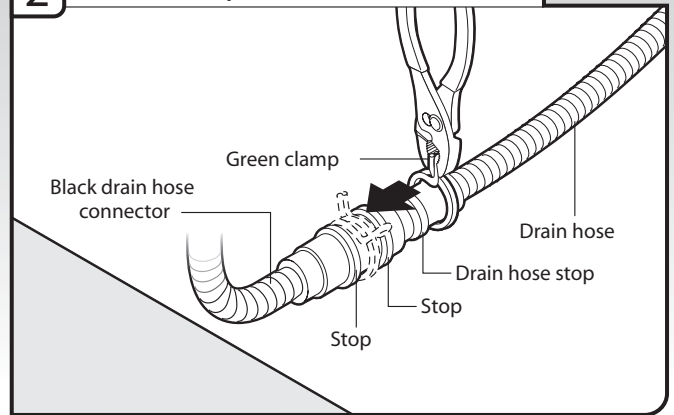
Connect to Drain

1 Connect drain hose



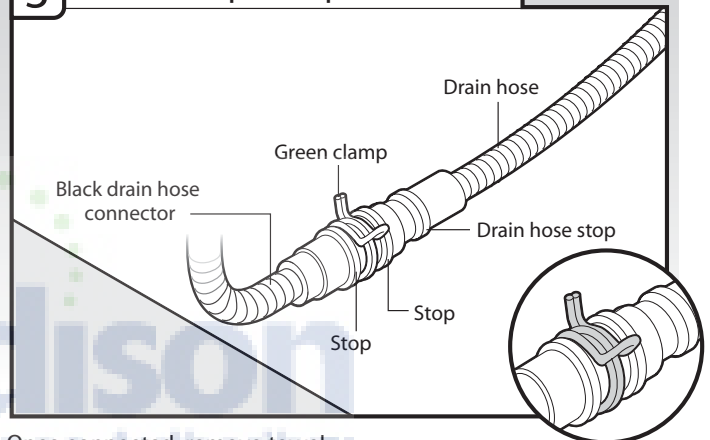
Place towel under drain hose to catch any water in drain hose. Place the small green drain hose clamp onto the small end of the drain hose. Push the new drain hose into the black drain hose connector up to the drain hose stop.

2 Slide clamp onto connector



Using pliers, squeeze open the small green drain hose clamp and slide onto connector between stops.

3 Hose clamp final position



Once connected, remove towel.

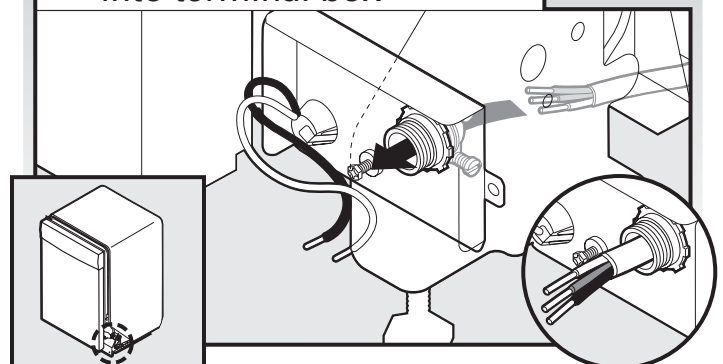
If needed, see website for animated representation of this step. Visit www.whirlpool.com/drain under FAQ tab.

Make Direct Wire Electrical Connection

NOTE: If the power supply cord was connected earlier proceed to Secure Dishwasher in Cabinet Opening section.

Option B, Direct Wire:

1 Direct Wire—Route cable into terminal box



Route cable so that it does not touch dishwasher motor or lower part of dishwasher tub. Pull cable through cable clamp in terminal box.

Select UL Listed/CSA Approved twist-on wire connectors (not included) rated to connect your household wiring to 16-gauge dishwasher wiring.

⚠ WARNING



Electrical Shock Hazard

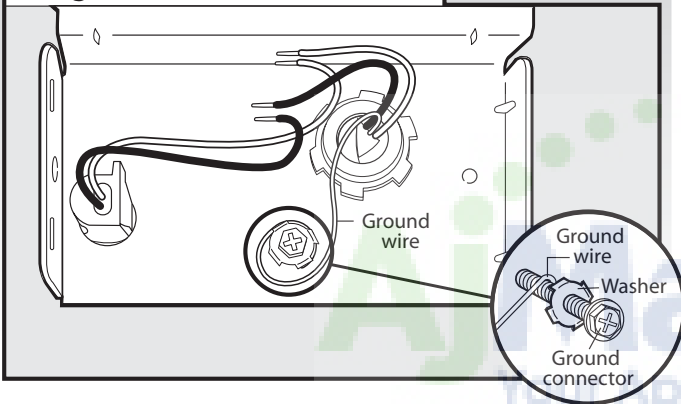
Electrically ground dishwasher.

Connect ground wire to green ground connector in terminal box.

Do not use an extension cord.

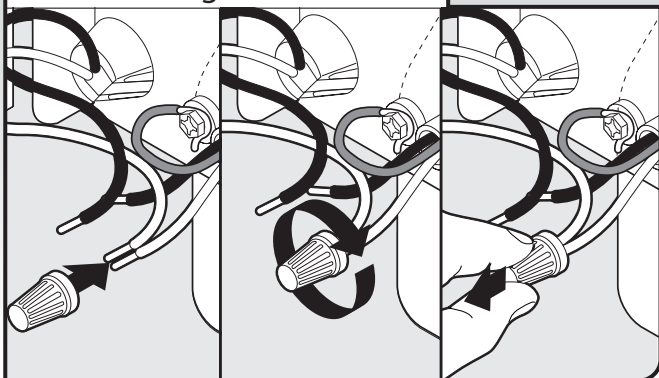
Failure to follow these instructions can result in death, fire, or electrical shock.

2 Direct Wire—Connect ground wire



Form bare ground wire into a U-shaped hook. Wrap ground wire hook clockwise around ground connector screw and under the washer. Securely tighten ground connector.

3 Direct Wire—Connect remaining wires



NOTE: Do not pre-twist stranded wire. Twist on UL Listed/CSA Approved wire connector. Gently tug on wires to be sure both are secured.

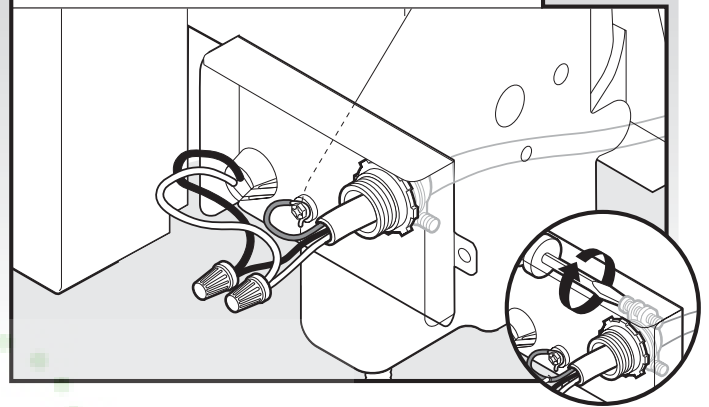
Connect wires black to black and white to white, using UL Listed/CSA Approved twist-on wire connectors (not included).

Wiring configuration

Power supply wire:	Terminal box wire:
white	white
black	black
ground wire	ground connector

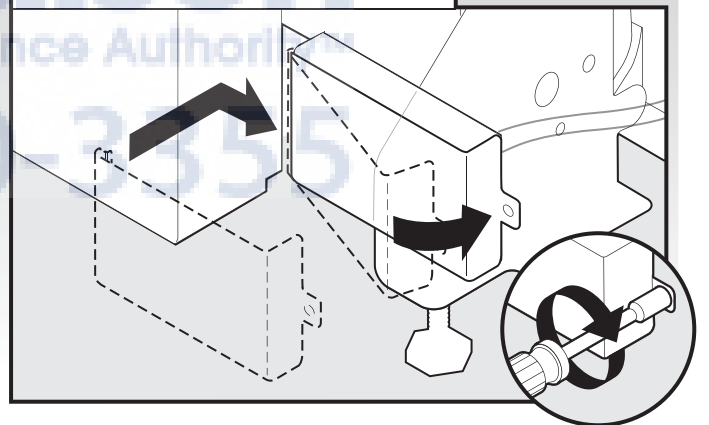
If needed, see website for animated representation of this step. Visit www.whirlpool.com/electrical under FAQ tab.

4 Direct Wire—Secure cable in conduit connector



Tighten strain relief screws to secure cable.

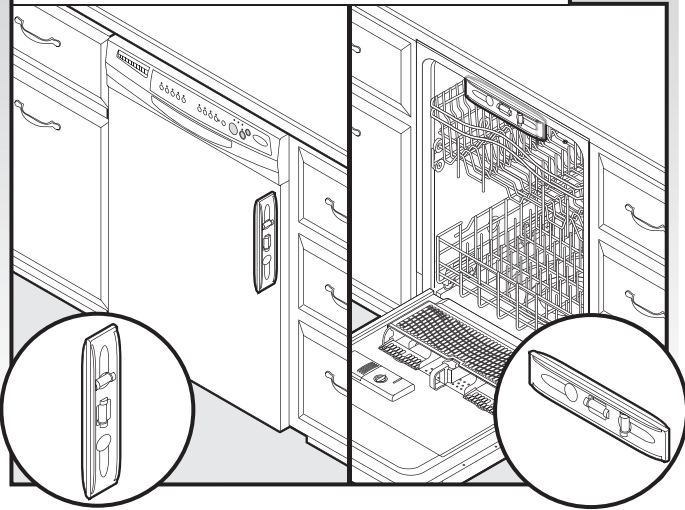
5 Direct Wire—Reinstall terminal box cover



Place wires inside terminal box. Insert tabs on left side of cover. Make sure wires are tucked inside box. Close cover ensuring wires are not pinched. Use 1/4" nut driver and previously removed screw to secure cover.

Secure Dishwasher in Cabinet Opening

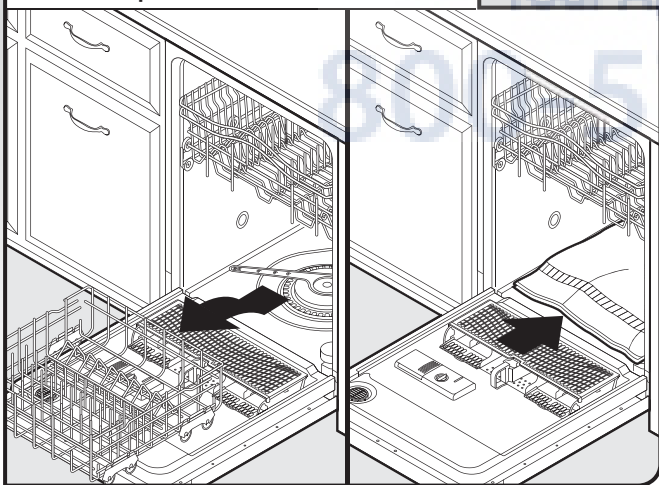
1 Double check dishwasher alignment in cabinet opening



Check that dishwasher is still level front to back and side to side in cabinet opening.

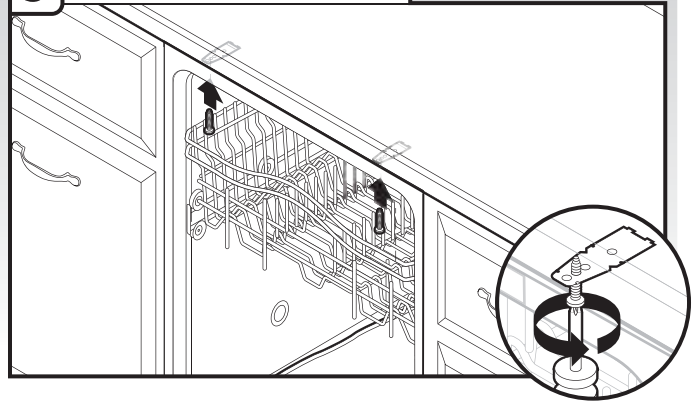
IMPORTANT: If you have solid countertops such as corrian, granite, etc., you must use side mounting kit (Part Number 8212560). Follow kit instructions. (Brackets are included with kit.)

2 Remove lower dish rack and place towel



Open dishwasher door, remove lower dish rack, and place towel over pump assembly and lower spray arm of dishwasher. This will prohibit screws from falling into pump area when securing dishwasher to countertop.

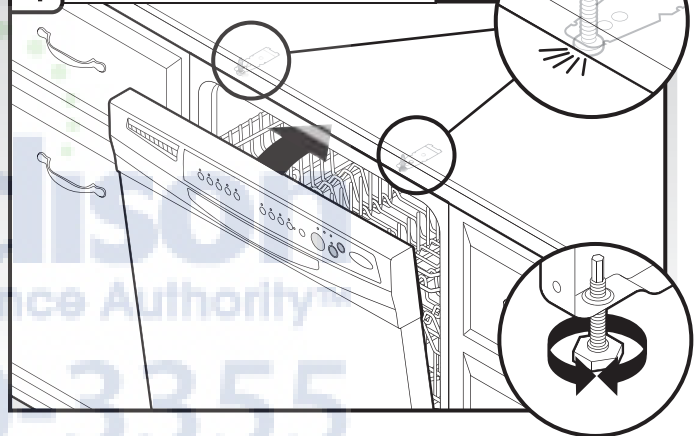
3 Secure dishwasher



NOTE: Do not drop screws into bottom of dishwasher.

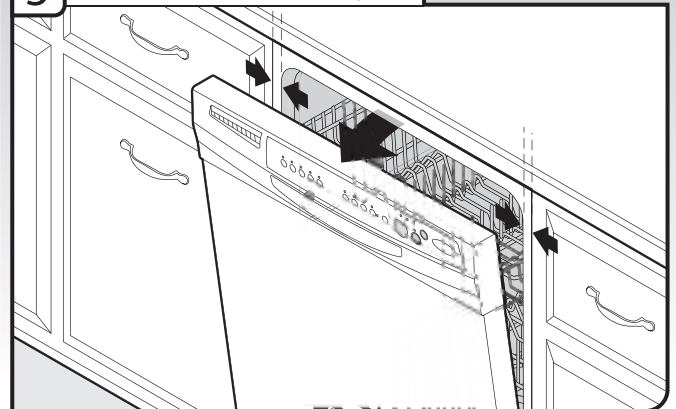
Locate brackets on top of dishwasher and secure dishwasher to countertop with two, #10 x 1/2" Phillips-head screws (included). The dishwasher must be secured to keep it from shifting when door is opened.

4 Check door clearance



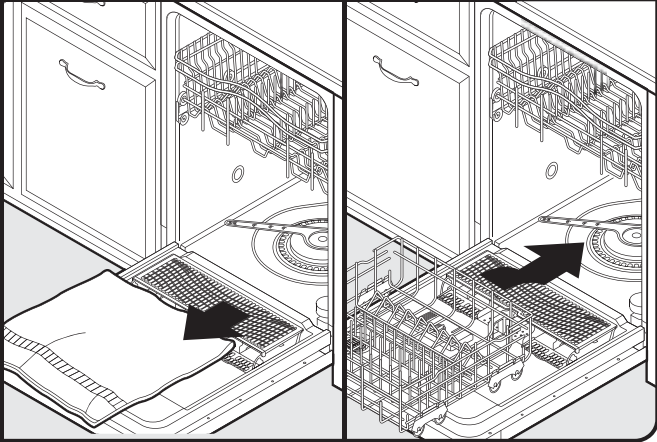
Check that top of door does not contact screws, brackets, or countertop. If it does, adjust leveling legs.

5 Check inner spacing



Open door and check that space between dishwasher cabinet opening and tub is equal on both sides. If spacing is not equal, loosen bracket screws secured and shift tub. Tighten bracket screws.

6 Remove towel and replace lower dishwasher rack

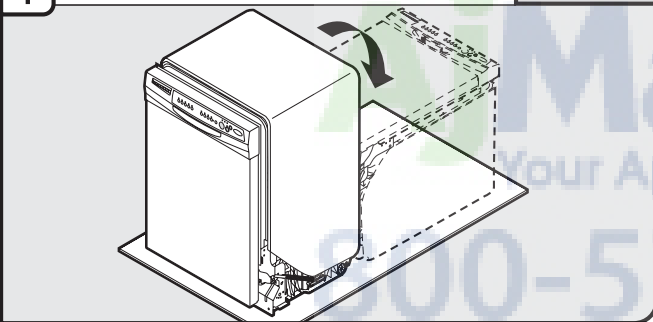


Remove towel from dishwasher. Reinstall the lower dish rack.

If needed, see website for animated representation of this step. Visit www.whirlpool.com/anchoring under FAQ tab.

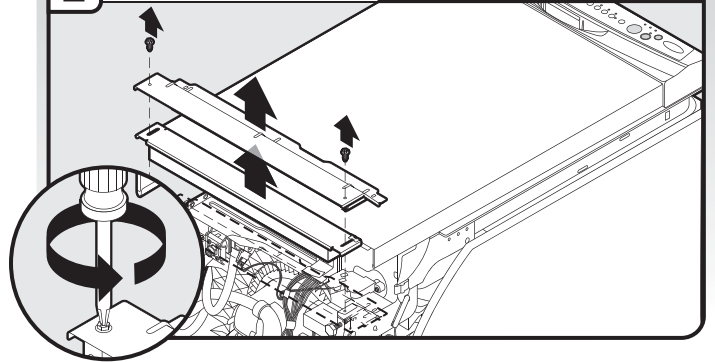
Complete Installation

1 Put dishwasher on its back



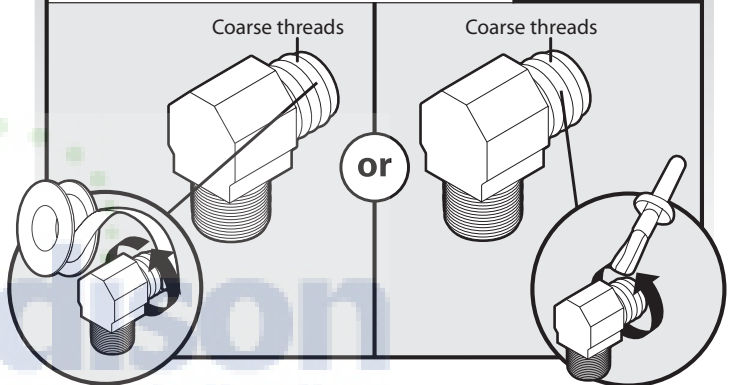
Check that grounding clip is attached to the lower panel. Position the lower panel behind the access panel. On some models there is insulation on the access panel which must fall behind the insulation on the lower panel.

2 Remove panels



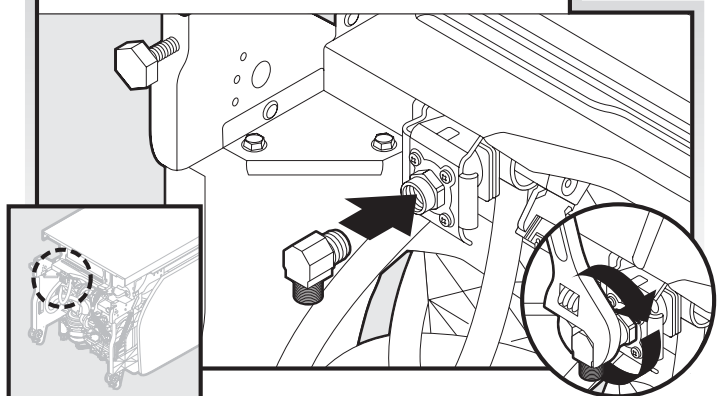
Hold the two panels together and place them against dishwasher leg. Using a Phillips or 1/4" screwdriver, reinstall the screws through the holes in the access panel and the slots in the lower panel.

3 Apply Teflon® tape or pipe joint compound



Check that the lower edge of the lower panel contacts the floor. Adjust if necessary.

4 Connect 90° elbow fitting to water inlet valve



Tighten access panel screws.

▲ WARNING



Electrical Shock Hazard

Plug into a grounded 3 prong outlet.

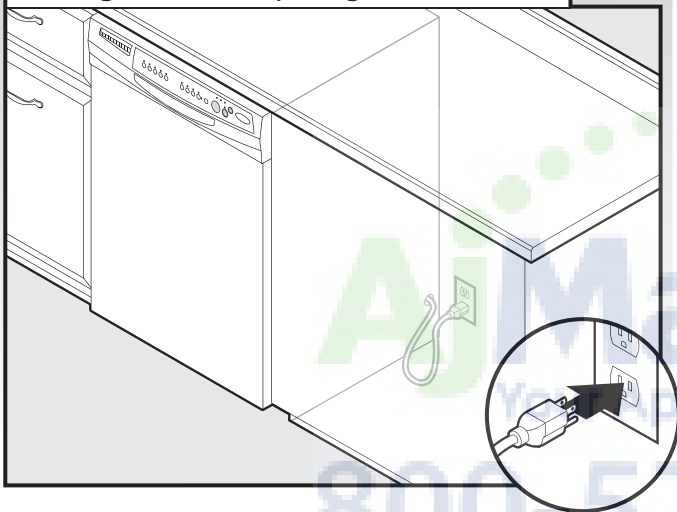
Do not remove ground prong.

Do not use an adapter.

Do not use an extension cord.

Failure to follow these instructions can result in death, fire, or electrical shock.

1 Power supply cord—Plug into a grounded 3 prong outlet



Plug into a grounded 3 prong outlet. Check that power supply cord does not touch dishwasher motor or lower part of dishwasher tub.

Reconnect Power

1 Reconnect power

Reconnect electrical power at the fuse box or circuit breaker box.

Check Operation

- Read the Dishwasher User Instructions that came with your dishwasher.
- Check that all parts have been installed and no steps were skipped. Check that you have all tools used.
- Start dishwasher and allow it to complete the shortest wash cycle. After the first 2 minutes unlatch door, wait 5 seconds, then open door. Check to see that there is water in the bottom of the dishwasher tub. Check that dishwasher is working properly.

If not, disconnect power or unplug dishwasher and see “If Dishwasher Does Not Operate” section.

If Dishwasher Does Not Operate

First try the solutions suggested here to possibly avoid the cost of a service call.

- Has the circuit breaker tripped or the house fuse blown?
- Is the door closed tightly and latched?
- Has the cycle been set correctly to start the dishwasher?
- Is the water turned on?

If none of these work, call 1-800-253-1301, or in Canada, call 1-800-807-6777.

Additional Tips

Expect longer wash times. Your new dishwasher will average 2-3 hours per load, but use nearly 40% less energy than older models. Designed with a low wattage, low energy consumption motor, your dishwasher washes longer to ensure exceptional cleaning. Certain models are equipped with an optical water sensor so the first cycle will run longer to calibrate to optical sensor. Selecting certain options could increase cycle time past 3.5 hours.

Rinse Aid is necessary for good drying results:

This dishwasher is designed to be used with rinse aid for good drying performance and controlling hard water deposit build-up. Energy efficient dishwashers use less water and energy so they depend on the water sheeting action of rinse aid for good drying performance.

Start/Resume light may flash:

When pressing Start/Resume, you must make sure the door is closed within 3 seconds. If you do not, the Start/Resume light will flash until you press it again. (You must also do this when adding a dish during the middle of a cycle.)

Table des matières

Sécurité du lave-vaisselle	21
Exigences d'installation	22
Outillage et pièces	22
Exigences d'emplacement	22
Dimensions – Produit et cavité d'encastrement	23
Spécifications de l'évacuation	24
Spécifications de l'alimentation en eau	24
Spécifications électriques	24
Instructions d'installation	25
Préparation de la cavité d'encastrement - Raccordement aux circuits existants	25
Préparation de la cavité d'encastrement - Nouveaux moyens de raccordement	25
Raccordement à la canalisation d'eau - Préparation et installation	26
Installation du tuyau d'évacuation	27

Instructions d'installation (suite)

Préparation du lave-vaisselle	29
Raccordement électrique - Cordon d'alimentation	30
Dimensions de la cavité d'encastrement	31
Installation de la poignée de porte (sur certains modèles)	32
Installation du lave-vaisselle dans la cavité d'encastrement	32
Raccordement à la canalisation d'eau	34
Raccordement à l'égout	35
Raccordement électrique – Câblage direct	35
Immobilisation du lave-vaisselle dans la cavité d'encastrement	37
Achever l'installation	38
Contrôle du fonctionnement	39
Si le lave-vaisselle ne fonctionne pas	39
Conseils additionnels	39

SÉCURITÉ DU LAVE-VAISSELLE

Votre sécurité et celle des autres est très importante.

Nous donnons de nombreux messages de sécurité importants dans ce manuel et sur votre appareil ménager. Assurez-vous de toujours lire tous les messages de sécurité et de vous y conformer.



Voici le symbole d'alerte de sécurité.

Ce symbole d'alerte de sécurité vous signale les dangers potentiels de décès et de blessures graves à vous et à d'autres.

Tous les messages de sécurité suivront le symbole d'alerte de sécurité et le mot "DANGER" ou "AVERTISSEMENT". Ces mots signifient :

⚠ DANGER

⚠ AVERTISSEMENT

Risque possible de décès ou de blessure grave si vous ne suivez pas immédiatement les instructions.

Risque possible de décès ou de blessure grave si vous ne suivez pas les instructions.

Tous les messages de sécurité vous diront quel est le danger potentiel et vous disent comment réduire le risque de blessure et ce qui peut se produire en cas de non-respect des instructions.

⚠ AVERTISSEMENT



Risque de basculement

Ne pas utiliser le lave-vaisselle jusqu'à ce qu'il soit complètement installé.

Ne pas appuyer sur la porte ouverte.

Le non-respect de ces instructions peut causer des blessures graves ou des coupures.

Processus à appliquer :

- Ouvrir prudemment la porte du lave-vaisselle alors qu'une autre personne saisit l'arrière de l'appareil. Retirer les matériaux d'emballage, le tuyau d'évacuation et le panier inférieur. Fermer la porte du lave-vaisselle, jusqu'à la position de verrouillage.
- Respecter/Appliquer les dispositions de tous les codes et règlements en vigueur.
- Installer ce lave-vaisselle conformément aux prescriptions présentées dans les présentes instructions.
- L'installation devrait être exécutée par un technicien qualifié. L'installation du lave-vaisselle doit satisfaire aux exigences de tout code national ou local régissant les installations électriques et de plomberie, et de tous les règlements en vigueur.


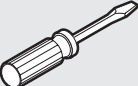
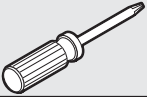
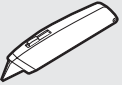
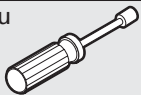


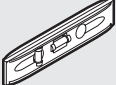

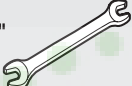
EXIGENCES D'INSTALLATION

Outillage et pièces

Rassembler les outils et pièces nécessaires avant de commencer l'installation. Lire et observer les instructions fournies avec chacun des outils de la liste ci-dessous.

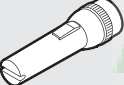
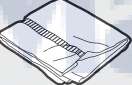
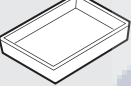
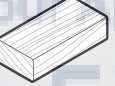
Pour toutes les installations

Outillage nécessaire :




Pince 	Tournevis à lame plate 
Tournevis Phillips 	Couteau utilitaire 
Tourne-écrou ou clé à douille hexagonale de 5/16" et 1/4" 	Connecteurs de fils – homologation UL ou CSA* 
Mètre ruban ou règle 	Petit niveau 
Clé à molette 10" - ouverture 1 1/8" (2,9 cm) 	Clé plate de 5/8" 

*De taille appropriée pour le raccordement des conducteurs du câblage de la maison aux conducteurs de calibre 16 du lave-vaisselle

Autres articles utiles :



Lampe 	Serviette 
Réceptacle peu profond 	Bloc de bois 

Pièces fournies :


2 brides pour tuyau d'évacuation (1 grande et 1 petite)  Argent Vert	Tuyau d'évacuation 	Vis à tête Phillips n° 10 x 1/2" 
--	--	--

Vérifier la présence de toutes ces pièces dans le sachet des documents.

Pièces nécessaires :

raccord 90° avec un filetage mâle 3/8" N.P.T. (autre sortie correspondant au filetage de la canalisation d'eau) 	Ruban de Teflon® ou composé d'étanchéité des tuyauteries 
---	--

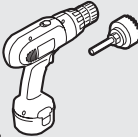

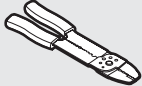
Autres articles éventuellement nécessaires :

Bride de tuyau à vis 1 1/2 à 2" (38,1- 5 cm) (max. 3) 	Ensemble de montage latéral pour plan de travail massif (Pièce no 8212560) 	Ruban de masquage ou ruban adhésif pour conduits 
--	--	--


REMARQUE : Ces articles sont disponibles dans les commerces de fournitures de plomberie. Consulter les codes locaux. Consulter le code en vigueur régissant les installations électriques. Voir la section "Spécifications électriques". Il est recommandé que l'opération de raccordement au circuit électrique soit confiée à un électricien professionnel.

Matériel additionnel pour l'installation initiale

Outillage nécessaire :

Perceuse sans fil avec forets de scie à guichet de 1/2", 3/4" et 1 1/2" 	Coupe-tube 	Pince à dénuder 
---	--	---

Pièces nécessaires :

Tube de cuivre malléable (dia. ext. 3/8" suggéré) ou tube de plastique (avec tressage de renforcement) pour raccordement à la canalisation d'eau 	Voir la section "Spécifications électriques"	Câblage direct : utiliser un serre-câble pour trou de 7/8" (2,2 cm) (homologation UL ou CSA)	Cordon d'alimentation : utiliser un cordon d'alimentation marqué pour l'utilisation avec un lave-vaisselle (homologation UL) (Utilisation passe-fil Pièce no 302797 - pas fourni.)
---	--	--	--

Exigences d'emplacement

L'appareil doit être électriquement relié à la terre. Ne pas placer de canalisation d'évacuation, canalisation d'eau ou circuit électrique à un endroit où une quelconque interférence est possible (contact avec le moteur ou les pieds du lave-vaisselle, etc.).

L'emplacement d'installation du lave-vaisselle doit fournir le dégagement de séparation approprié entre le moteur et le plancher. Le moteur ne doit pas toucher le plancher.

Ne pas installer le lave-vaisselle sur un plancher garni de tapis.

Protéger le lave-vaisselle et les canalisations d'eau qui l'alimentent contre le gel. La garantie ne couvre pas les dégâts imputables au gel.

Un ensemble pour panneau latéral est disponible chez les revendeurs; on peut l'utiliser pour l'installation du lave-vaisselle à l'extrémité d'une rangée de placards.

Un accessoire pare-vapeur (pièce no 4396277) est disponible chez les revendeurs pour l'installation sous le plan de travail; cependant, ceci n'est pas indispensable.

* Teflon est une marque déposée de E.I. Du Pont de Nemours & Company.

Inspecter l'emplacement où le lave-vaisselle sera installé; l'emplacement d'installation doit offrir :

- facilité d'accès à canalisation d'eau, câblage électrique et canalisation d'égout.
- facilité d'accès pour chargement et déchargement de la vaisselle; si l'appareil est installé dans un angle, on doit prévoir un espace libre d'au moins 2" (5,1 cm) entre le côté de la porte du lave-vaisselle et le mur ou le placard adjacent.
- bon équilibrage de la cavité, pour fonctionnement correct et aspect esthétique.
- façades de placard perpendiculaires au sol.
- plancher horizontal et à un niveau uniforme; (en cas de différence de niveau entre la surface du plancher devant la cavité d'installation et le plancher de la cavité d'installation, il peut être nécessaire d'employer des cales pour rehausser le lave-vaisselle.)

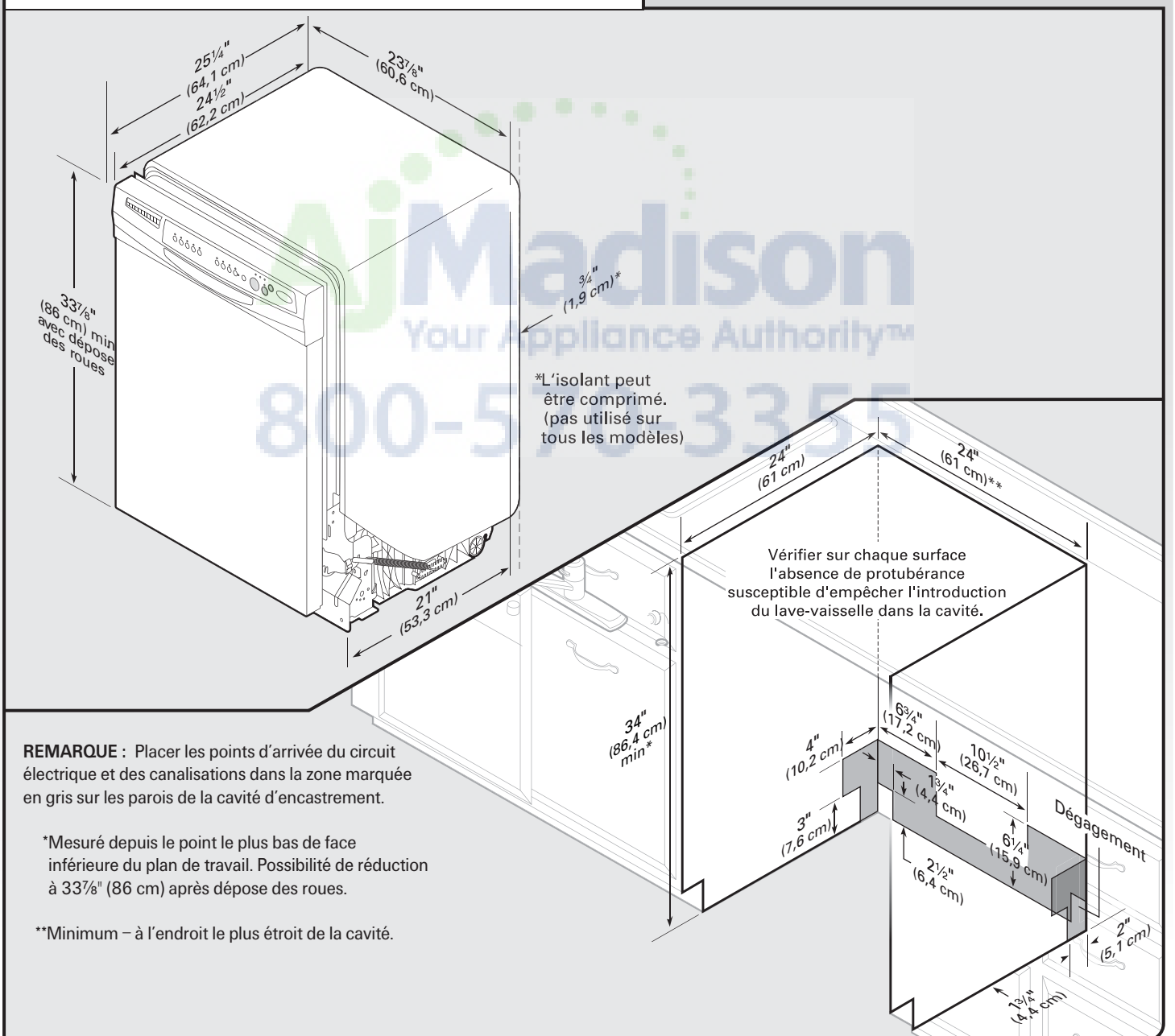
Conseil utile : Si la surface du plancher dans la cavité d'installation de l'appareil n'est pas uniforme (exemple : revêtement de sol sans prolongation complète dans l'espace de la cavité d'installation), veiller à mesurer les dimensions avec précision pour garantir un bon aplomb du lave-vaisselle.

REMARQUE : Si des cales sont utilisées, veiller à solidement ancrer les cales sur le plancher pour qu'elle ne puisse se déplacer durant l'utilisation du lave-vaisselle.

Si le lave-vaisselle ne sera pas utilisé pendant une période prolongée, ou s'il est installé en un endroit où il pourrait être exposé au gel, faire exécuter le processus de préparation appropriée avant l'hiver par un technicien agréé.

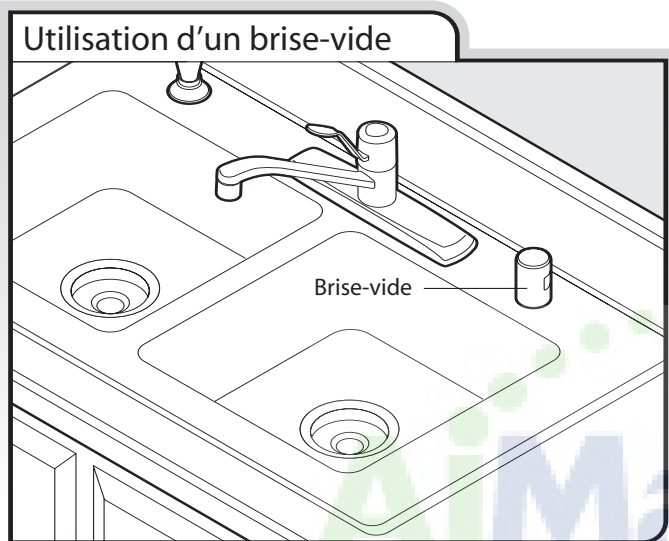
Veiller à ce que les moyens de raccordement à canalisation d'eau, câblage électrique et canalisation d'égout soient situés dans la zone marquée en gris sur l'illustration de la section "Dimensions – Produit et cavité d'installation".

Dimensions - Produit et cavité d'encastrement



Spécifications de l'évacuation

- Un nouveau tuyau d'évacuation est fourni avec le lave-vaisselle; s'il n'est pas suffisamment long, utiliser un tuyau neuf plus long de longueur maximale 12' (3,7 m) (pièce no 3385556) conforme aux critères de test en vigueur de AHAM/IAPMO, résistant à la chaleur et aux détergents, qui peut être connecté sur le raccord de 1" (2,5 cm) du lave-vaisselle.
- Ne pas oublier de connecter le tuyau d'évacuation au raccord T d'évacuation ou à l'entrée du broyeur à déchets au-dessus du piège/siphon du circuit de plomberie de la maison, et à 20" (50,8 cm) ou plus au-dessus du sol. Il est recommandé de former une boucle avec le tuyau d'évacuation (qui sera solidement attachée sur la face inférieure du plan de travail), ou d'incorporer au circuit un composant brise-vide.



- Si le tuyau d'évacuation est connecté au circuit d'évacuation de la maison à une hauteur inférieure à 20" (50,8 cm) au-dessus du plancher, il est indispensable d'utiliser un brise-vide.
- Pour le circuit d'évacuation, utiliser des raccords de dia. int. 1/2" ou plus.
- Si un brise-vide est nécessaire, il doit être installé conformément aux instructions d'installation fournies avec le produit; un tuyau de caoutchouc (pas fourni) sera nécessaire pour le raccordement au raccord T du circuit d'évacuation ou à l'entrée du broyeur à déchets.

Spécifications de l'alimentation en eau

- Une source d'eau chaude est nécessaire, avec pression de distribution de 20 à 120 lb/po² (138-862 kPa); un plombier professionnel devrait vérifier que la pression est suffisante.
- Température de 120°F (49°C) à l'entrée du lave-vaisselle.
- Raccordement entre l'appareil et la canalisation d'eau par tube de cuivre dia. int. 3/8" avec raccord à compression, ou tube de plastique (avec tressage de renforcement) (pièce no 4396897RP).
REMARQUE : On déconseille l'emploi de tube de plastique ordinaire (dia. min. 1/2").
- Un raccord 90° avec filetage mâle 3/8" N.P.T. à une extrémité.
- Ne pas effectuer une opération de soudure à moins de 6" (15,2 cm) de l'électrovanne d'admission d'eau.

Spécifications électriques

Pour le raccordement des conducteurs électriques et la taille des conducteurs, veiller à respecter les prescriptions de l'édition la plus récente du Code national de l'électricité ANSI/NFPA 70 – et de tout code ou règlement local en vigueur.

On peut obtenir un exemplaire des normes mentionnées ci-dessus à l'adresse suivante :

National Fire Protection Association
One Batterymarch Park
Quincy, MA 02269

Caractéristiques du circuit d'alimentation :

- 120 volts, 60 Hz, CA seulement, avec fusible 15 A ou 20 A.
- conducteur de cuivre seulement.

Nous recommandons :

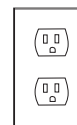
- fusible temporisé ou disjoncteur.
- alimentation par un circuit indépendant.

Raccordement du
lave-vaisselle par cordon
d'alimentation :



- Utiliser un cordon d'alimentation marqué pour l'utilisation avec un lave-vaisselle (homologation UL) (pièce no 4317824).

- Brancher la fiche du cordon d'alimentation sur une prise de courant reliée à la terre à 3 alvéoles, installée dans le placard adjacent à la cavité d'encastrement du lave-vaisselle; la prise de courant doit être conforme aux prescriptions des codes et règlements en vigueur.



Raccordement direct du lave-vaisselle :

- Utiliser un câble flexible à conducteurs de cuivre et conducteur de liaison à la terre, avec blindage ou gaine non métallique, conforme aux prescriptions des codes et règlements en vigueur régissant les installations électriques.
- Utiliser un serre-câble (homologation UL ou CSA).



INSTRUCTIONS D'INSTALLATION

⚠ AVERTISSEMENT



Risque de choc électrique

Interrompre l'alimentation électrique avant d'installer le lave-vaisselle (au niveau du tableau de distribution - fusible ou disjoncteur).

Le non-respect de cette instruction peut causer un décès ou un choc électrique.

1 Déconnecter la source de courant électrique

Avant d'entreprendre l'installation du lave-vaisselle, interrompre l'alimentation du circuit au niveau du boîtier de distribution (fusible ou disjoncteur).

2 Fermer l'arrivée d'eau

Fermer l'arrivée d'eau au lave-vaisselle.

3 Moyens de raccordement aux divers circuits déjà existants?

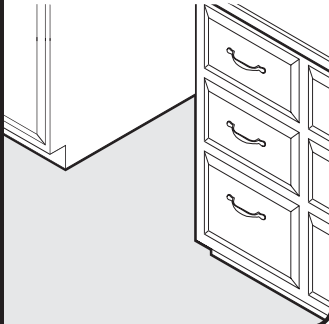
Oui—Voir les instructions à la section "Préparation de la cavité d'encastrement - Raccordement aux circuits existants".

Non—Voir les instructions à la section "Préparation de la cavité d'encastrement - Nouveaux moyens de raccordement".

Moyens de raccordement existants

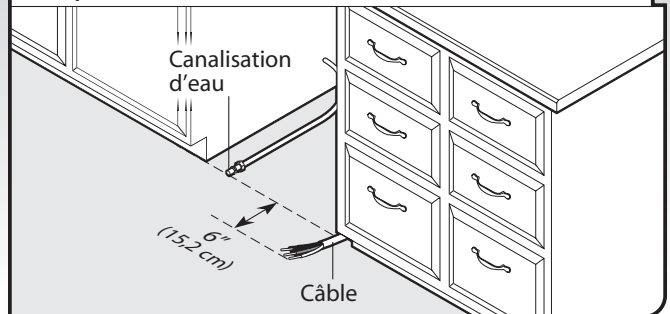


Aucun moyen de raccordement existant



Préparation de la cavité d'encastrement - Raccordement aux circuits existants

1 Contrôler le positionnement pour les sources d'eau et d'électricité



Si la canalisation d'eau et le câble disponibles satisfont les critères indiqués sur l'illustration (longueur et position), passer à la section "Installation du tuyau d'évacuation"; si ces éléments ne sont pas assez longs, voir les instructions à la section "Préparation de la cavité d'encastrement - Nouveaux moyens de raccordement".

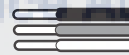
Préparation de la cavité d'encastrement - Nouveaux moyens de raccordement

Préparer et installer le câblage électrique

Quel type de raccordement électrique sera utilisé?



Cordon d'alimentation :
Voir les instructions pour l'Option A

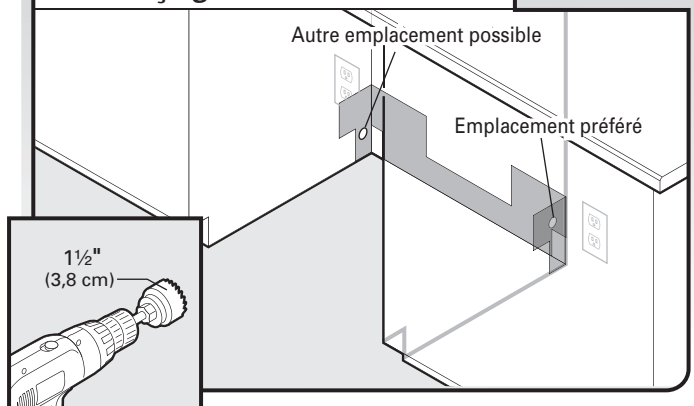


Câblage direct :
Voir les instructions pour l'Option B

Option A - Cordon d'alimentation :

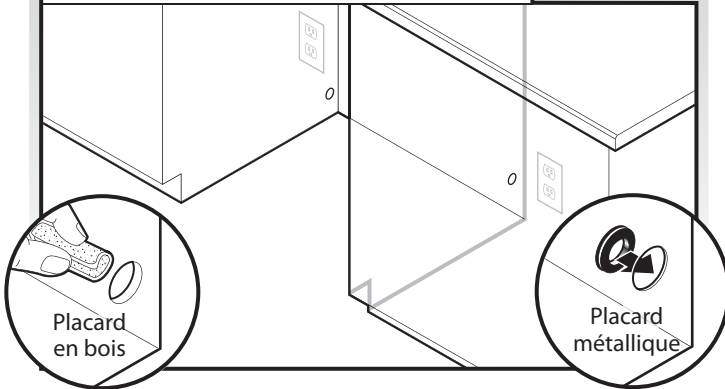
REMARQUE : On doit disposer d'une prise de courant à 3 alvéoles, reliée à la terre, à l'intérieur du placard adjacent au lave-vaisselle.

1 Cordon d'alimentation - Perçage du trou



Perçer un trou de 1 1/2" (3,8 cm) dans le panneau latéral ou à l'arrière du placard.
Voir Dimensions - Produit et cavité d'encastrement.

2 Cordon d'alimentation – Préparation du trou



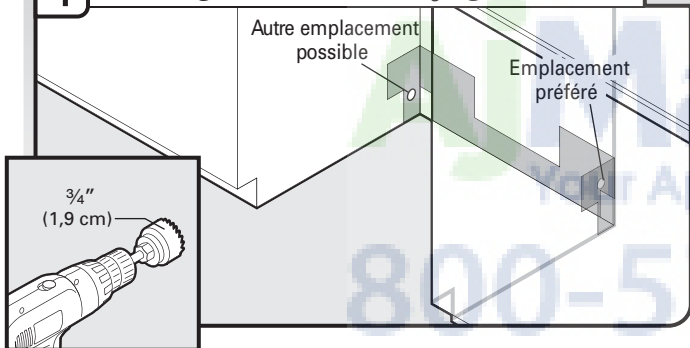
Placard en bois : Poncer pour produire une surface lisse dans le trou.

Placard métallique : Installer sur le trou le passe-fil (Pièce no 302797) fourni avec le cordon d'alimentation.

Option B - Câblage direct :

Conseil : Il sera plus facile d'effectuer des raccordements sur le lave-vaisselle si le câble d'alimentation de l'appareil passe par le placard du côté droit.

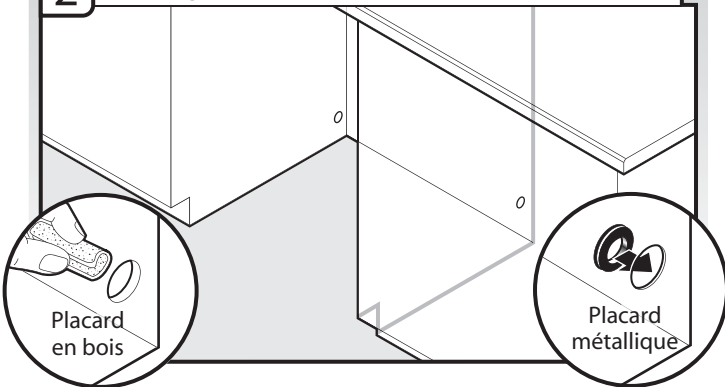
1 Câblage direct – Perçage du trou



Percer un trou de $\frac{3}{4}$ " (1,9 cm) dans le panneau latéral du placard de droite ou à l'arrière.

Voir Dimensions – Produit et cavité d'encastrement.

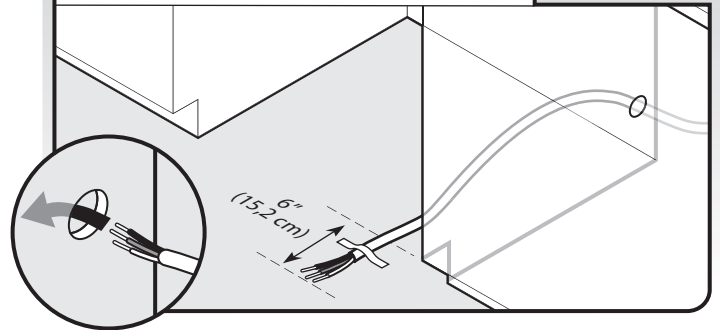
2 Câblage direct – Préparation du trou



Placard en bois : Poncer pour produire une surface lisse dans le trou.

Placard métallique : Installer le passe-fil (Pièce no 302797 - pas fourni) sur le trou.

3 Câblage direct – Acheminement du câble

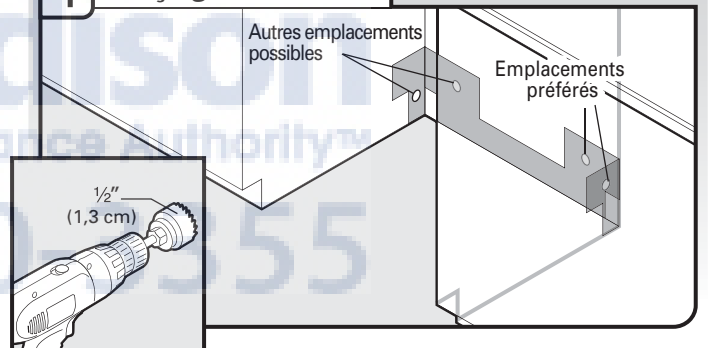


Installer un câble depuis le tableau de distribution jusqu'à la cavité d'encastrement du lave-vaisselle, à travers le trou percé dans la paroi (la longueur du câble doit être suffisante pour que les conducteurs atteignent l'emplacement indiqué sur l'illustration). Fixer le câble sur le sol avec du ruban adhésif à l'emplacement indiqué, pour qu'il ne puisse bouger lors de l'insertion du lave-vaisselle dans la cavité.

Raccordement à la canalisation d'eau – Préparation et installation

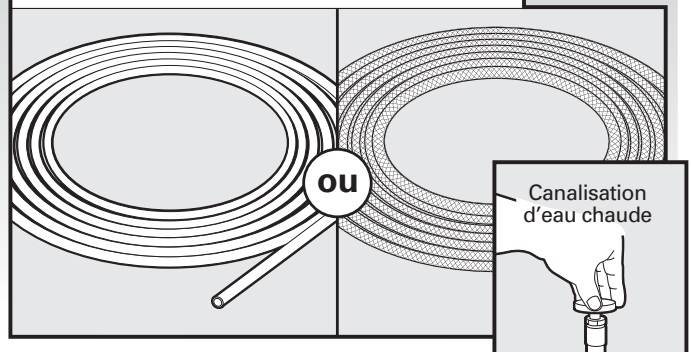
Conseil : Il sera plus facile d'effectuer le raccordement sur le lave-vaisselle si la canalisation d'eau passe par le placard du côté gauche.

1 Perçage du trou



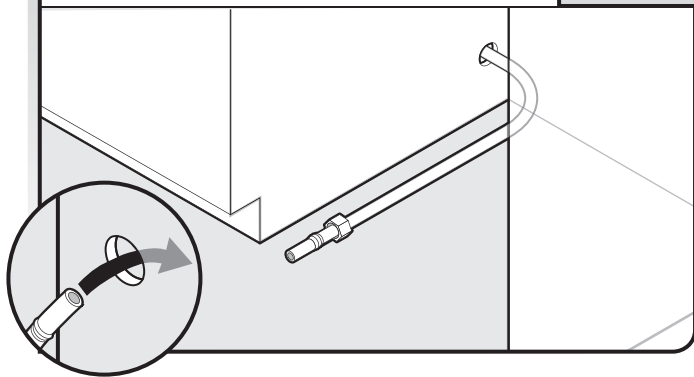
Percer un trou de $\frac{1}{2}$ " (1,3 cm) dans le panneau latéral ou à l'arrière du placard.

2 Mesure la section de canalisation d'alimentation



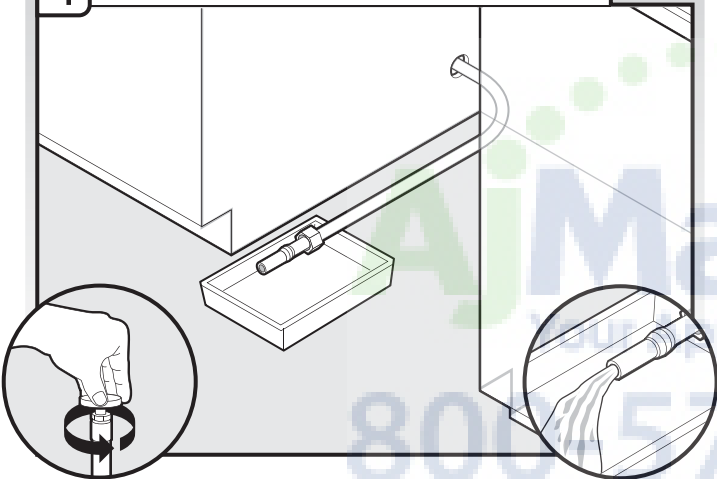
Mesurer la longueur totale nécessaire de tube de cuivre ou de tube de plastique (avec tressage de renforcement). Effectuer le raccordement sur la canalisation d'eau chaude avec un raccord ou autre dispositif conforme aux prescriptions des codes et règlements en vigueur. La canalisation d'arrivée d'eau devrait comporter un robinet d'arrêt manuel.

3 Installation de la canalisation d'alimentation



Faire passer prudemment le tube de raccordement à travers le trou percé dans le placard. (Le tube de cuivre peut s'écraser/se déformer facilement lors d'une flexion; procéder prudemment.) Il faut que la longueur de la section qui dépasse dans l'espace d'encastrement soit suffisante pour le raccordement à l'entrée du lave-vaisselle sur le côté gauche/à l'avant du lave-vaisselle.

4 Purge de la canalisation d'eau

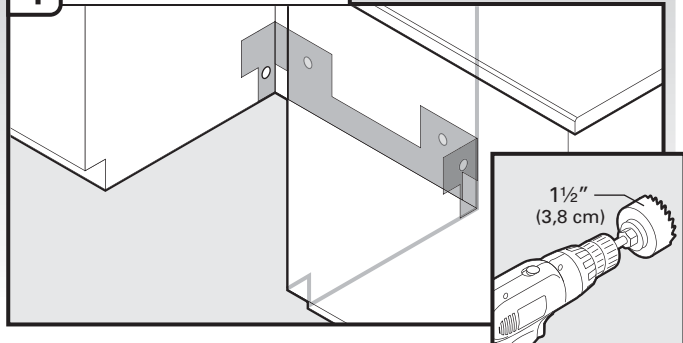


Ouvrir lentement le robinet d'arrêt. Laisser l'eau s'écouler dans un bac de récupération pour l'élimination de toutes les particules solides qui pourraient obstruer l'électrovanne d'admission d'eau. Refermer le robinet d'arrêt.

Installation du tuyau d'évacuation

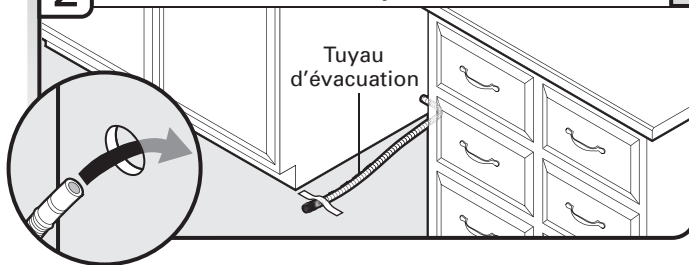
IMPORTANT : Utiliser toujours un tuyau d'évacuation neuf. Consulter le code de plomberie local pour déterminer si un brise-vide est nécessaire.

1 Perçage du trou



Si nécessaire, percer un trou de diamètre 1 1/2" (3,8 cm) dans la paroi du placard le plus proche de l'évier.

2 Installation du tuyau d'évacuation



Installer le tuyau d'évacuation comme on le voit sur l'illustration, à travers le trou percé dans la paroi du placard, jusqu'au point à l'avant/au centre de la cavité d'encastrement où le raccordement sera effectué sur l'appareil. Fixer le tuyau d'évacuation sur le sol avec du ruban adhésif à l'emplacement indiqué, pour qu'il ne puisse bouger lors de l'insertion du lave-vaisselle dans la cavité.

3 Raccordement du tuyau d'évacuation

Connecter le tuyau d'évacuation sur le raccord T du circuit de plomberie ou sur le broyeur à déchets – employer l'une des options suivantes :

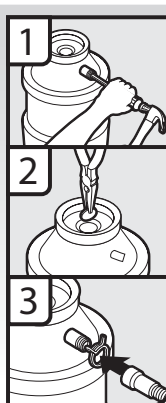
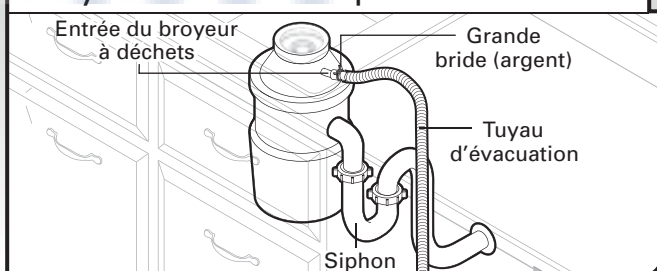
- Option A - broyeur à déchets – pas de brise-vide
- Option B - pas de broyeur à déchets – pas de brise-vide
- Option C - broyeur à déchets – avec brise-vide
- Option D - pas de broyeur à déchets – avec brise-vide

IMPORTANT : Il est nécessaire d'effectuer le raccordement du tuyau d'évacuation sur le broyeur à déchets ou le raccord T du circuit de plomberie en amont du piège/siphon, et à 20" (50,8 cm) ou plus au-dessus du plancher de la cavité d'encastrement.

Conseil : Pour minimiser le risque de vibration du tuyau, ne pas laisser le tuyau en contact avec le sol.

Option A - Broyeur à déchets – pas de brise-vide

Broyeur à déchets – pas de brise-vide



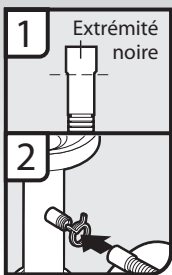
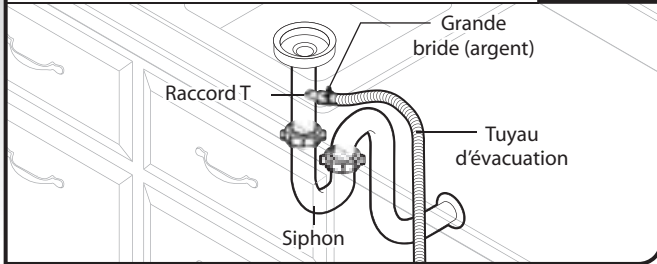
1. Arracher l'opercule arrachable du broyeur à déchets – utiliser un marteau et un tournevis.

2. Retirer l'opercule arrachable - utiliser une pince à bec effilé.

3. Connecter le tuyau d'évacuation sur l'entrée du broyeur à déchets – utiliser la grosse bride de tuyau fournie (argent). Utiliser une pince pour ouvrir complètement la bride et l'enfiler sous le tuyau jusqu'à sa position finale.

Option B - Pas de broyeur à déchets – pas de brise-vidé

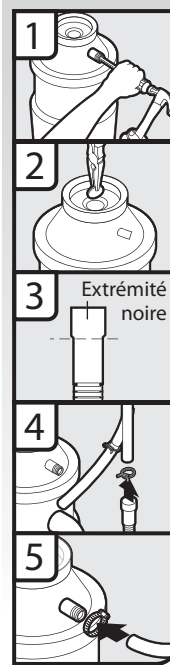
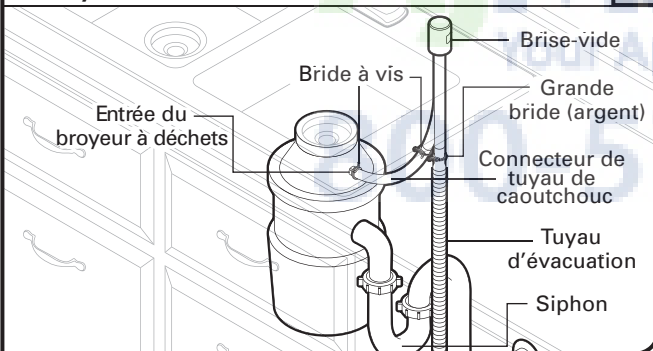
Pas de broyeur à déchets – pas de brise-vidé



1. Connecter l'extrémité noire du tuyau d'évacuation sur le raccord T du circuit de plomberie; couper si nécessaire (ne pas couper dans la section ondulée).
2. Connecter l'extrémité noire du tuyau d'évacuation sur l'entrée du broyeur à déchets – utiliser la grosse bride de tuyau fournie (argent). Utiliser une pince pour ouvrir complètement la bride et l'enfiler sur le tuyau jusqu'à sa position finale. Si le tuyau d'évacuation a été coupé, utiliser une bride à vis de 1½" à 2" (3,8 à 5 cm) (pas fournie).

Option C - Broyeur à déchets – avec brise-vidé

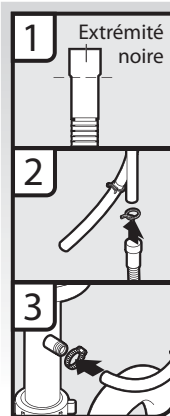
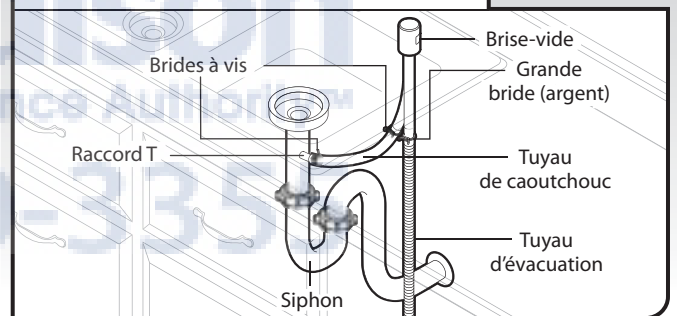
Broyeur à déchets – avec brise-vidé



1. Arracher l'opercule arrachable du broyeur à déchets – utiliser un marteau et un tournevis.
2. Retirer l'opercule arrachable - utiliser une pince à bec effilé.
3. Connecter l'extrémité noire du tuyau d'évacuation sur le brise-vidé; couper si nécessaire (ne pas couper dans la section ondulée).
4. Connecter le tuyau d'évacuation au brise-vidé – utiliser la grosse bride de tuyau fournie (argent). Utiliser une pince pour ouvrir complètement la bride et l'enfiler sur le tuyau jusqu'à sa position finale. Si le tuyau d'évacuation a été coupé, utiliser une bride à vis de 1½" à 2" (3,8 à 5 cm) (pas fournie).
5. Installer un tuyau de caoutchouc (pas fourni) entre le brise-vidé et l'entrée du broyeur à déchets – utiliser des brides à vis (pas fournies).

Option D - Pas de broyeur à déchets – avec brise-vidé

Pas de broyeur à déchets – avec brise-vidé



1. Connecter l'extrémité noire du tuyau d'évacuation sur le brise-vidé; couper si nécessaire (ne pas couper dans la section ondulée).
2. Connecter le tuyau d'évacuation au brise-vidé – utiliser la grosse bride de tuyau fournie (argent). Utiliser une pince pour ouvrir complètement la bride et l'enfiler sur le tuyau jusqu'à sa position finale. Si le tuyau d'évacuation a été coupé, utiliser une bride à vis de 1½" à 2" (3,8 à 5 cm) (pas fournie).
3. Installer un tuyau de caoutchouc (pas fourni) entre le brise-vidé et le raccord T d'évacuation – utiliser des brides à vis (pas fournies).

Préparation du lave-vaisselle

⚠ AVERTISSEMENT



Risque de basculement

Ne pas utiliser le lave-vaisselle jusqu'à ce qu'il soit complètement installé.

Ne pas appuyer sur la porte ouverte.

Le non-respect de ces instructions peut causer des blessures graves ou des coupures.

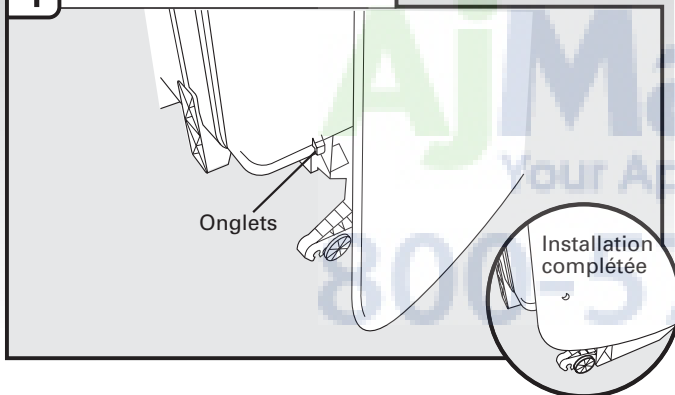
⚠ AVERTISSEMENT

Risque du poids excessif

Utiliser deux personnes ou plus pour déplacer et installer le lave-vaisselle.

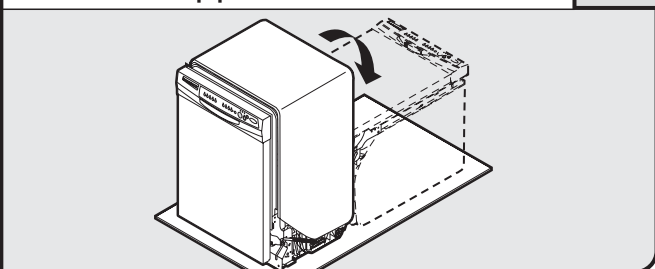
Le non-respect de cette instruction peut causer une blessure au dos ou d'autre blessure.

1 Attachez l'isolation



En utilisant les fentes précoupées dans l'isolation, attachez l'excédent d'isolation les crochets moulés sur le baquet. Soyez sûr d'attacher l'isolation vers le bas des deux côtés du baquet.

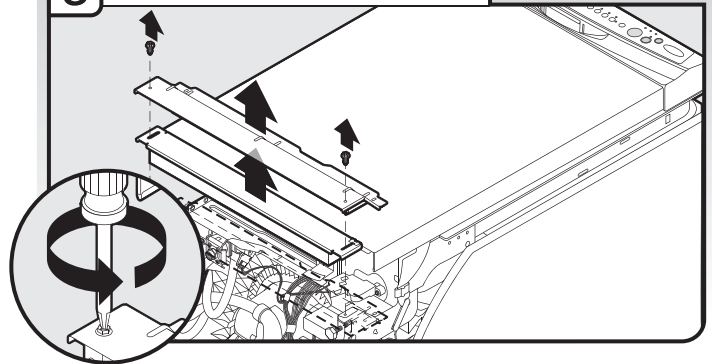
2 Placer le lave-vaisselle sur le sol en appui sur la face arrière



Conseil : Pour protéger le sol, laisser une feuille de carton sous le lave-vaisselle jusqu'à son installation dans la cavité d'encastrement. Ne pas utiliser le panneau de porte comme surface de travail sans d'abord l'avoir recouvert d'une serviette pour éviter de l'endommager.

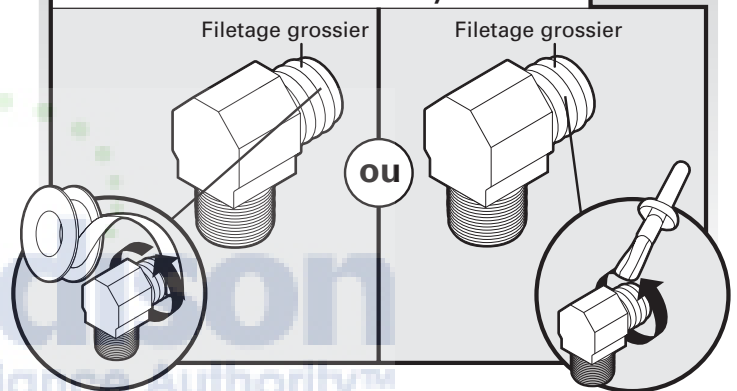
Faire intervenir deux personnes ou plus – saisir les côtés du cadre de la porte du lave-vaisselle pour placer le lave-vaisselle en appui sur la face arrière.

3 Dépose des panneaux



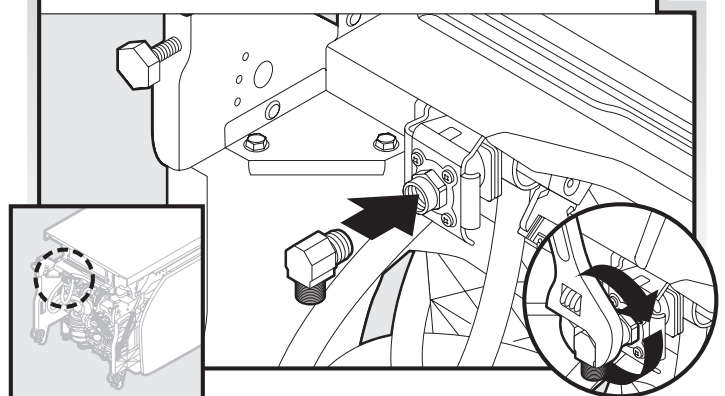
Utiliser un tourne-écrou de 1/4" ou un tournevis Phillips; ôter les deux vis fixant le panneau de l'ouverture d'accès et le panneau de plinthe sur le lave-vaisselle. Ne pas enlever la fiche technique collée sur le panneau de l'ouverture d'accès.

4 Appliquer du ruban de Teflon® ou un composé d'étanchéité des tuyauteries



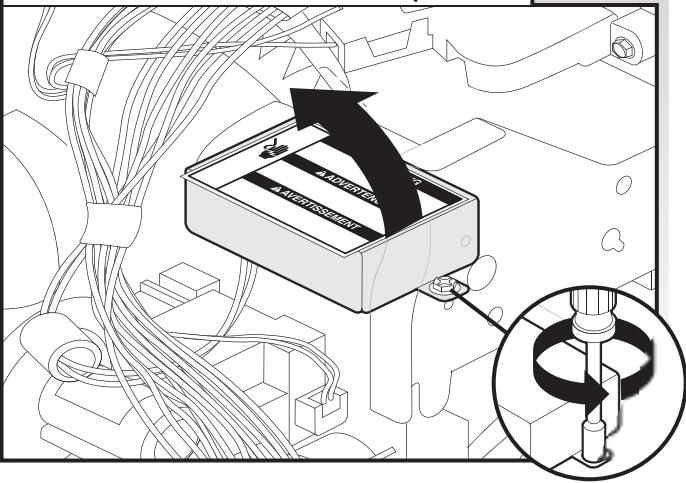
Appliquer du ruban de Teflon® ou un composé d'étanchéité des tuyauteries sur le filetage du raccord 90° (pas fourni). Lors de l'emploi de ruban de Teflon, placer deux à quatre tours de ruban sur le filetage pour assurer l'étanchéité.

5 Installation du raccord 90° sur l'électrovanne d'admission d'eau



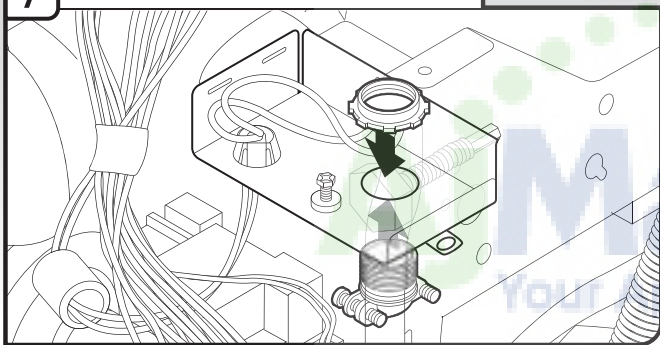
Connecter le raccord 90° sur l'électrovanne d'admission d'eau. Serrer complètement avec une clé; veiller à ce que la sortie soit orientée vers l'arrière.

6 Ôter le couvercle du boîtier de connexion électrique



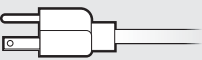

Utiliser un tourne-écrou de 1/4" ou un tournevis Phillips; démonter le couvercle du boîtier de connexion; conserver la vis et le couvercle pour réutilisation.

7 Installation du serre-câble



Installer un serre-câble (homologation UL ou CSA). Veiller à ce que les têtes de vis soient orientées vers la gauche après le serrage de l'écrou du serre-câble. Le connecteur de conduit pourrait être fourni avec le cordon d'alimentation.

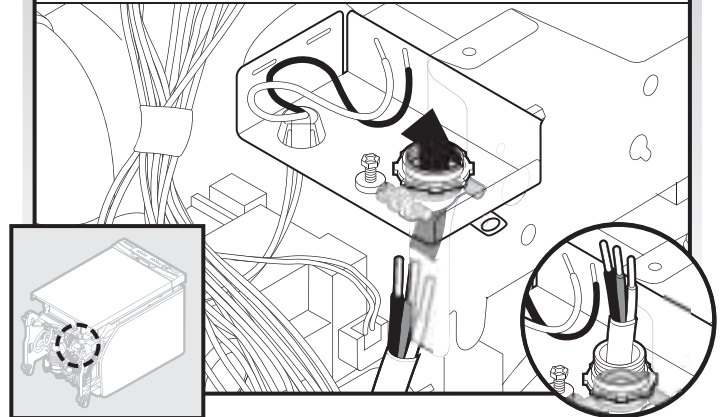
Quel type de raccordement électrique sera utilisé?

-  Cordon d'alimentation : Voir les instructions pour l'Option A
-  Câblage direct : Voir les instructions pour l'Option B

Raccordement électrique - Cordon d'alimentation

Option A - Cordon d'alimentation :

1 Cordon d'alimentation - Acheminement jusqu'au boîtier de connexion



Installer le cordon d'alimentation de telle manière qu'il ne soit pas en contact avec le moteur du lave-vaisselle, jusqu'à la partie inférieure de la cuve du lave-vaisselle. Introduire le cordon dans le boîtier de connexion à travers le serre-câble.

Pour le raccordement des conducteurs (conducteurs du cordon d'alimentation et conducteurs de calibre 16 du lave-vaisselle) utiliser des connecteurs de fil (homologation UL ou CSA).

⚠ AVERTISSEMENT



Risque de choc électrique

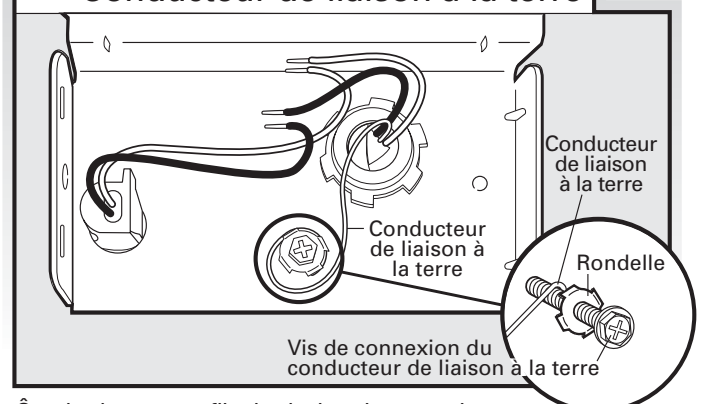
Relier le lave-vaisselle à la terre d'une méthode électrique.

Brancher le fil relié à la terre au connecteur vert relié à la terre dans la boîte de la borne.

Ne pas utiliser un câble de rallonge.

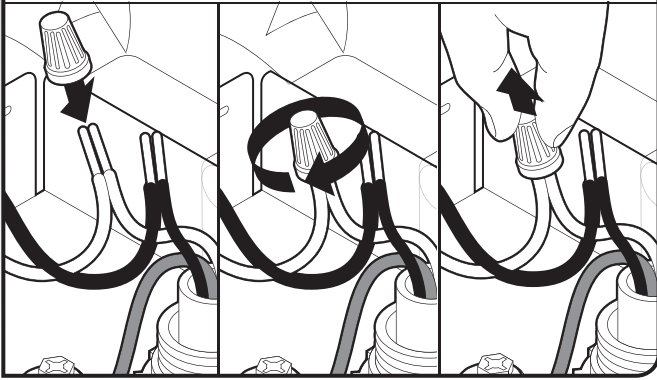
Le non-respect de ces instructions peut causer un décès, un incendie ou un choc électrique.

2 Cordon d'alimentation - Conducteur de liaison à la terre



Ôter la vis verte; enfile la vis dans la cosse du conducteur vert de liaison à la terre. Réinstaller et serrer la vis verte.

3 Cordon d'alimentation – raccordement des autres conducteurs



REMARQUE : Ne pas pré-torsader les conducteurs toronnés. Installer chaque connecteur de fils sur les conducteurs (mouvement de vissage). Tirer doucement sur les conducteurs pour vérifier qu'ils sont solidement connectés.

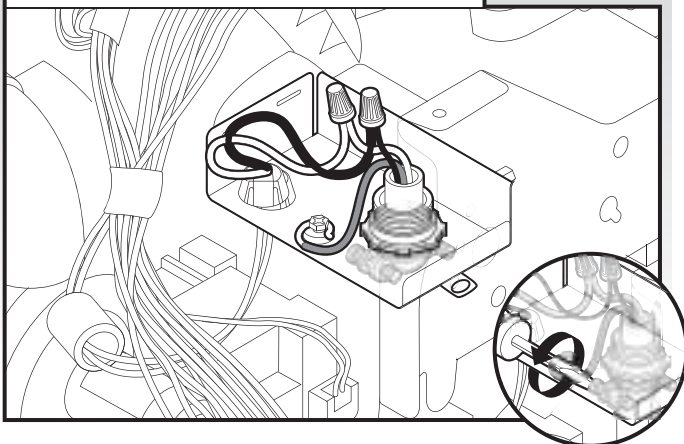
Utiliser des connecteurs de fils (homologation UL ou CSA) (pas fournis) pour raccorder les conducteurs - noir à noir et blanc à blanc.

Configuration de câblage

Câble d'alimentation :	Conducteur dans le boîtier de connexion :
blanc	←→ blanc
noir	←→ noir
conducteur de liaison à la terre	←→ Vis de connexion du conducteur de liaison à la terre

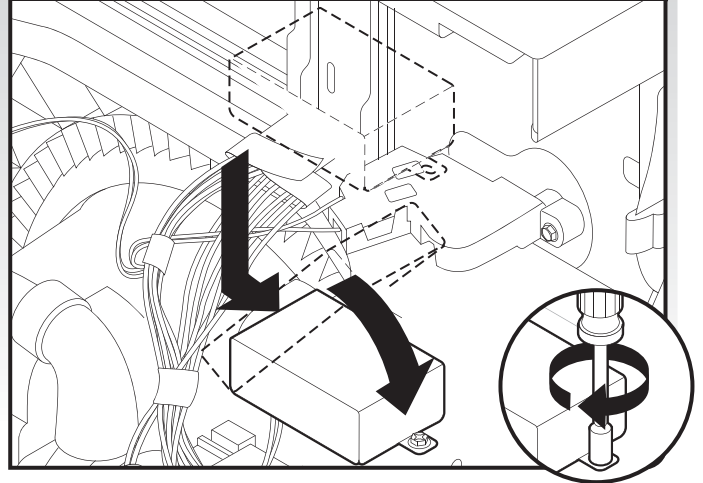
Si nécessaire, consulter le site Internet www.whirlpool.com – onglet FAQ. On y trouve une présentation vidéo de cette étape.

4 Cordon d'alimentation - Immobilisation par le connecteur de conduit



Serrer les vis du connecteur de conduit pour immobiliser le câble.

5 Cordon d'alimentation – Réinstallation du couvercle du boîtier de connexion

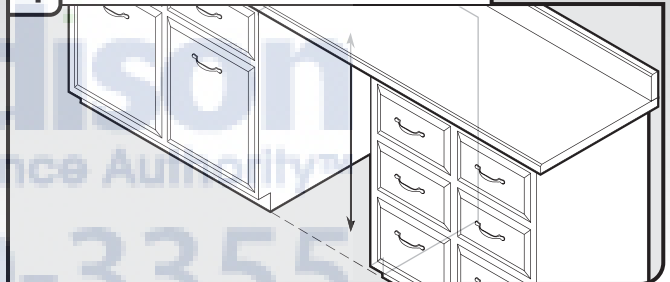


Placer les fils à l'intérieur du boîtier. Insérer les pattes du côté gauche du couvercle. Vérifier que les conducteurs sont bien engagés l'intérieur du boîtier. Fermer le couvercle - veiller à ne pas coincer des conducteurs. Utiliser un tourne-écrou de 1/4" pour réinstaller la vis de fixation du couvercle.

REMARQUE : Ne pas brancher le cordon d'alimentation sur une prise de courant avant d'en avoir reçu l'instruction.

Dimensions de la cavité d'encastrement

1 Mesure des dimensions



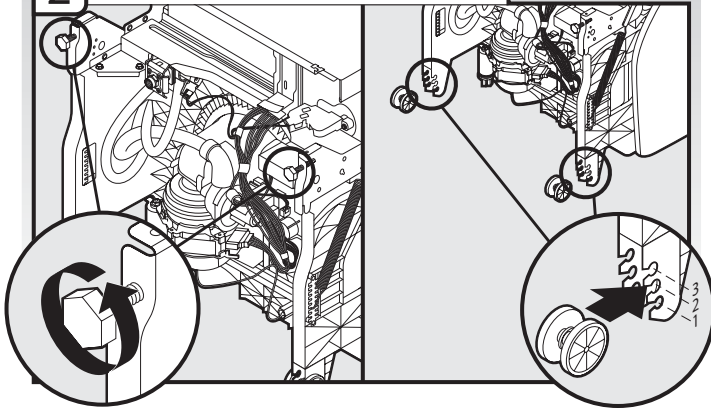
Mesurer la hauteur de la cavité d'encastrement entre les placards, entre le sol et la face inférieure du plan de travail, à l'emplacement d'installation prévu (mesurer à partir du point le plus bas de la face inférieure du plan de travail et le point le plus haut du plancher). Pour la position des roues et le nombre de rotations de vissage nécessaire, voir "Tableau de réglage - Hauteur du lave-vaisselle".

Tableau de réglage - Hauteur du lave-vaisselle

Hauteur de la cavité	Position des roues	Pieds avant – nombre de rotations
33 ⁷ / ₈ " (86 cm)	Enlevées	Vissage complet vers le haut
34" (86,4 cm)	1	10
34 ¹ / ₄ " (87 cm)	2	5
34 ¹ / ₂ " (87,6 cm)	3	0

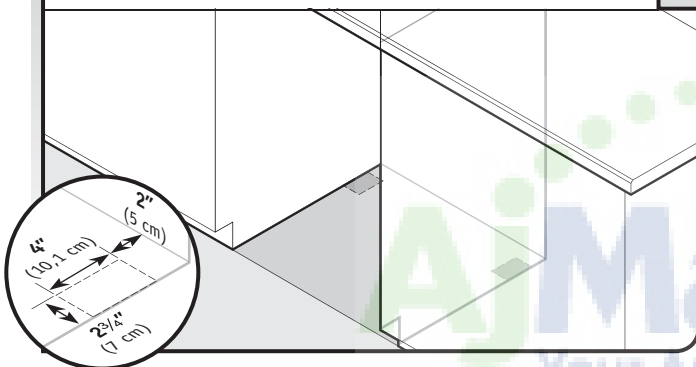
REMARQUE : Si la hauteur minimale de la cavité d'encastrement est inférieure à 34" (86,4 cm), il est possible d'enlever les roues pour disposer de plus d'espace; ceci permettra l'installation du lave-vaisselle dans une ouverture de 33⁷/₈" (86 cm), mais il sera alors difficile de déplacer le lave-vaisselle (les dimensions sont approximatives). Les roues et pieds ont été pré-réglés à l'usine pour une hauteur de 34¹/₂" (87,6 cm).

2 Roues et pieds - Réglage



Ajuster (vissage) les deux pieds de réglage de l'aplomb à la même hauteur. Placer les roues à la position nécessaire selon les indications du "Tableau de réglage - Hauteur du lave-vaisselle". (Pour modifier la position des roues, utiliser un tournevis à lame plate pour enlever la roue; réinstaller la roue à la nouvelle position choisie [emboîtement].)

3 Plancher surélevé addition de cales selon le besoin

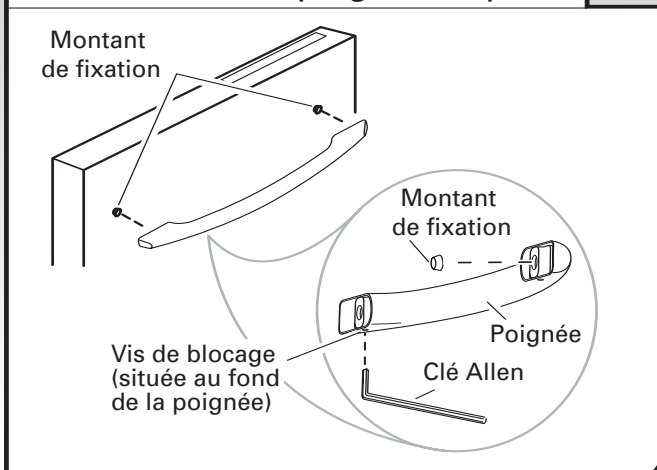


Lorsque la surface du sol de la cuisine est plus élevée que le plancher de la cavité d'encastrement (par ex. en présence d'un carrelage qui ne se prolonge pas dans la cavité d'encastrement), ajouter des cales selon le besoin aux emplacements indiqués sur l'illustration pour établir la distance de 34" (86,4 cm) entre la surface des cales et le plan de travail.

REMARQUE : Il sera nécessaire de fixer solidement les cales sur le plancher pour qu'elles ne puissent se déplacer après l'installation du lave-vaisselle.

Installation de la poignée de porte (sur certains modèles)

Installation de la poignée de porte

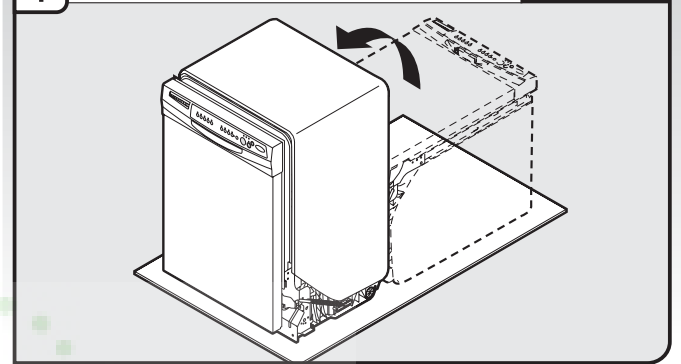


IMPORTANT : Ne pas érafler le panneau avant durant ce processus.

Ôter la poignée de porte et le sachet de pièces contenant les vis de blocage et la clé Allen du carton. Commencer à enfoncer les vis de blocage dans la poignée. Placer la poignée sur les montants de fixation avec les vis de blocage orientées vers le bas. Pousser la poignée de porte fermement en appui contre la porte. Insérer le côté court de la clé Allen dans les vis de blocage. Serrer les vis d'un quart de tour au-delà de la butée.

Installation du lave-vaisselle dans la cavité d'encastement

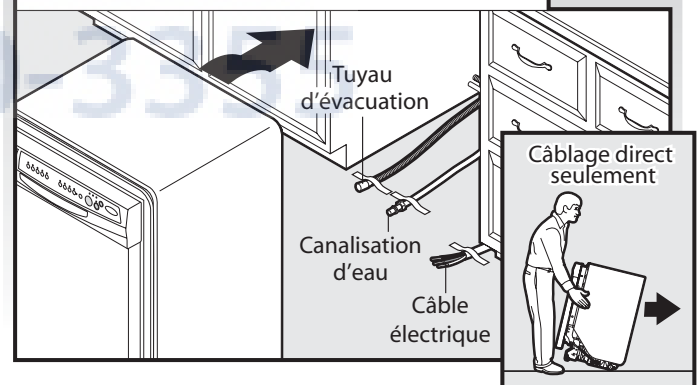
1 Redresser le lave-vaisselle



Faire intervenir deux personnes ou plus pour redresser le lave-vaisselle.

REMARQUE : Ne pas installer le panneau de plinthe avant d'en avoir reçu l'instruction.

2 Rapprocher le lave-vaisselle de l'ouverture de la cavité

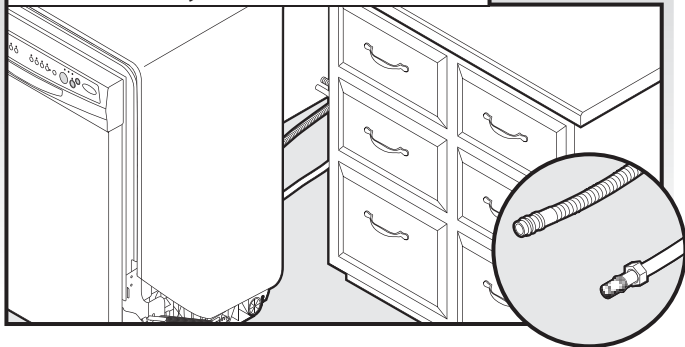


IMPORTANT : Vérifier le positionnement correct des éléments de raccordement (tuyau d'évacuation, conduit d'eau, câble électrique). Saisir les deux côtés du lave-vaisselle par les bords du panneau de porte. Incliner le lave-vaisselle vers l'arrière (en appui sur les roues) et rapprocher le lave-vaisselle de l'ouverture.

REMARQUE : Ne pas pousser sur l'avant du panneau ou sur la console – ces composants pourraient se déformer.

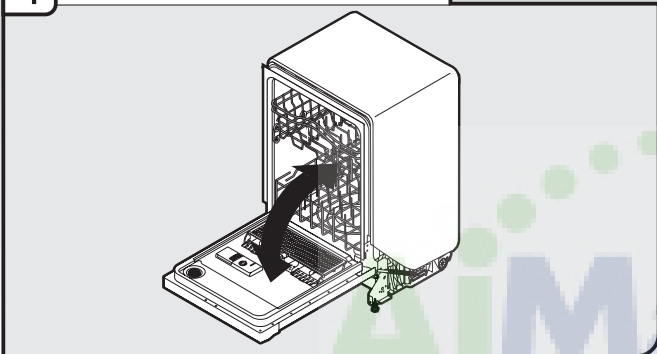
Conseil : Immobiliser temporairement les tuyaux et câbles sur le sol pour qu'ils ne puissent pas bouger.

3 Contrôler la position du conduit d'arrivée d'eau et du tuyau d'évacuation



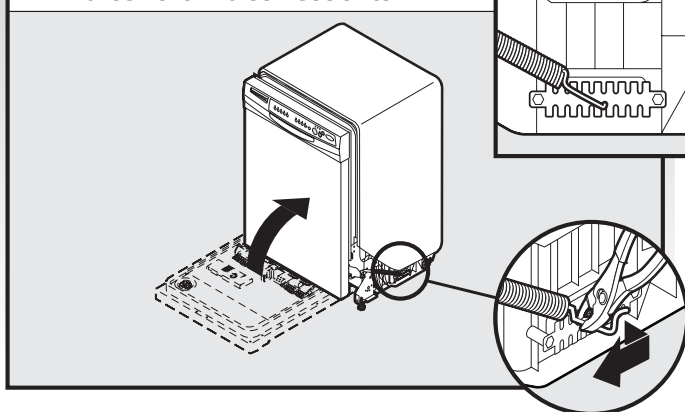
Vérifier que le conduit d'arrivée d'eau est placé sur le côté gauche de la cavité et que le tuyau d'évacuation est placé près du centre de la cavité.

4 Manœuvre de la porte



Tandis qu'une autre personne maintient le lave-vaisselle pour qu'il ne puisse basculer, effectuer plusieurs manœuvres d'ouverture et fermeture de la porte. Si la porte se ferme ou s'ouvre sous l'effet de son propre poids, il sera nécessaire d'effectuer un réglage de la tension des ressorts.

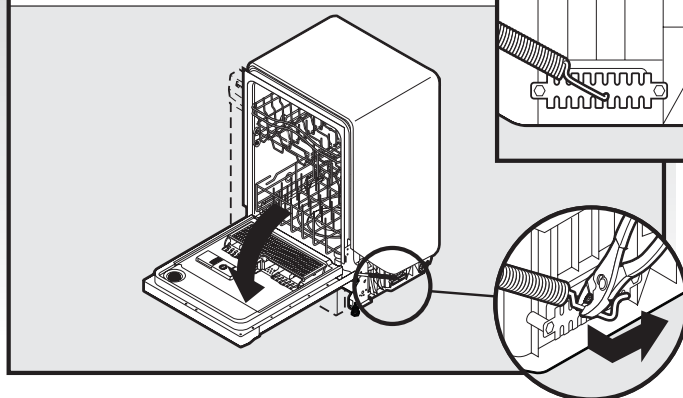
5 Fermeture trop rapide – Réduire la tension des ressorts



Si la porte se ferme trop rapidement, réduire la tension des ressorts : déplacer le point d'ancrage de l'extrémité du ressort vers l'avant du lave-vaisselle.

REMARQUE : Utiliser le même point d'ancrage (encoche) pour chaque ressort (côté gauche et côté droit).

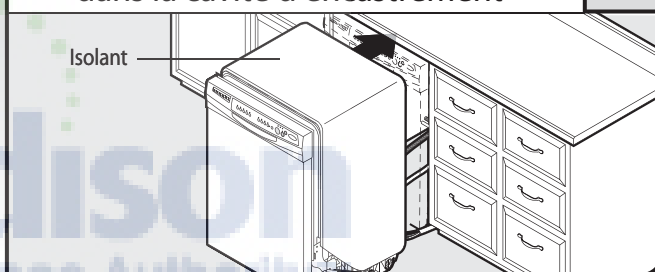
6 Ouverture de la porte sous l'effet de son poids – Augmenter la tension des ressorts



Si la porte s'ouvre sous l'effet de son propre poids, augmenter la tension des ressorts : déplacer le point d'ancrage de chaque ressort vers l'arrière du lave-vaisselle.

REMARQUE : Utiliser le même point d'ancrage (encoche) pour chaque ressort (côté gauche et côté droit).

7 Insertion du lave-vaisselle dans la cavité d'encastement

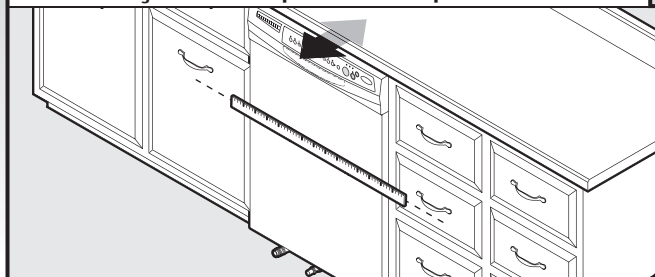


IMPORTANT : Si les roues ont été enlevées, protéger le sol durant le déplacement du lave-vaisselle. Insérer (lentement) complètement le lave-vaisselle dans la cavité d'encastement. Veiller à ne pas déformer/écraser ou coincer le conduit d'arrivée d'eau, le tuyau d'évacuation ou le câble d'alimentation entre le lave-vaisselle et un placard. Retirer la feuille de carton qui avait été placée sous le lave-vaisselle.

REMARQUE : Il n'est pas nécessaire qu'il y ait un espace libre autour du lave-vaisselle entre l'appareil et les surfaces de la cavité d'encastement. Ne pas enlever l'enveloppe d'isolation/insonorisation.

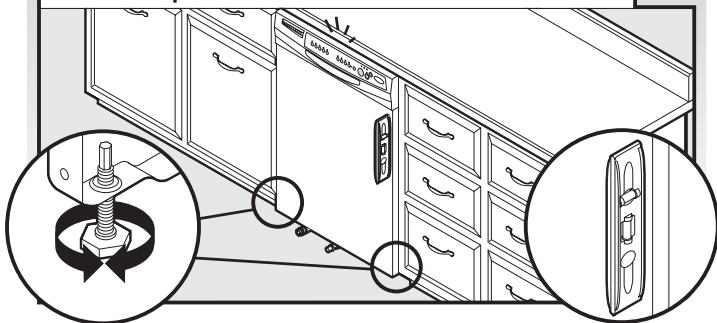
REMARQUE : Si l'appareil est alimenté par un cordon d'alimentation, ne pas oublier d'enfiler le cordon dans le trou de passage dans le panneau du placard avant d'insérer l'appareil dans la cavité.

8 Aligner l'avant du lave-vaisselle avec la façade des portes de placards



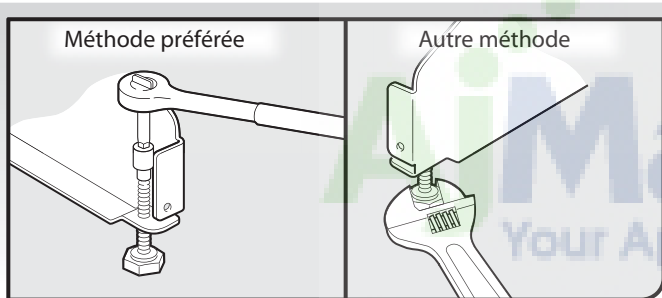
Aligner le panneau avant du lave-vaisselle avec la surface frontale des portes de placard; un ajustement peut être nécessaire.

9 Contrôle de l'aplomb et réglage des pieds si nécessaire

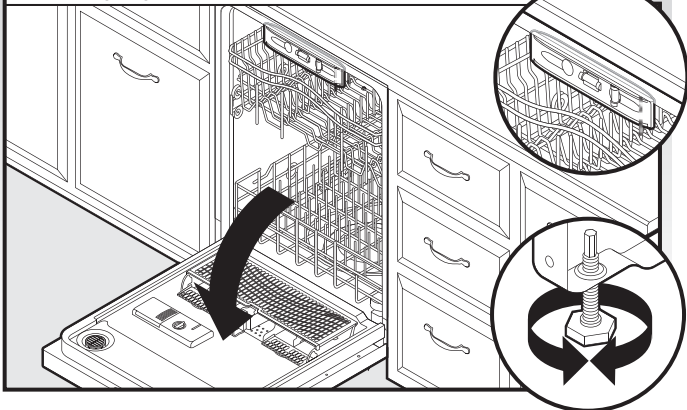


Vérifier que les pieds de réglage de l'aplomb sont fermement en contact avec le sol. Fermer et verrouiller la porte; placer un niveau en contact avec le panneau de façade. Vérifier que le lave-vaisselle est centré dans la cavité (avant/arrière). Si nécessaire, modifier le réglage des pieds pour établir l'aplomb du lave-vaisselle - effectuer ceci de chaque côté du lave-vaisselle.

Conseil : Pousser sur l'avant du lave-vaisselle pour soulever légèrement le lave-vaisselle et le séparer du sol pour le réglage des pieds avant. Dans certaines configurations d'installation, il peut être plus facile d'utiliser une clé à douille de $\frac{3}{16}$ " ou une clé à molette pour le réglage des pieds avant.



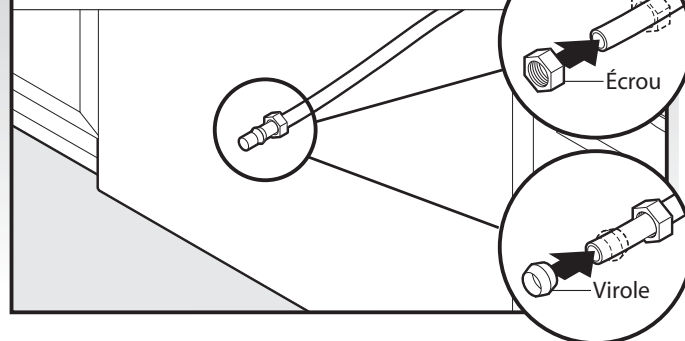
10 Contrôle de l'aplomb transversal – réglage des pieds si nécessaire



Placer un niveau contre le sommet/à l'avant de l'ouverture de la cuve. Vérifier l'aplomb transversal du lave-vaisselle. Si l'aplomb du lave-vaisselle n'est pas correct, ajuster le déploiement (abaissement/soulèvement) des pieds avant pour établir le bon aplomb du lave-vaisselle.

Raccordement à la canalisation d'eau

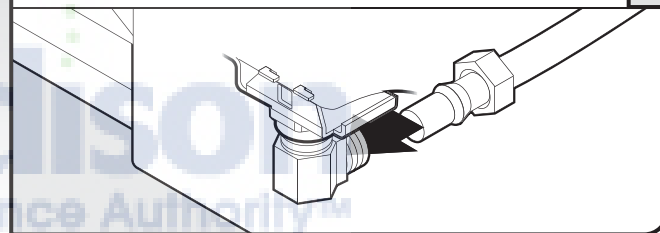
1 Enfiler un écrou et une virole sur le tube d'arrivée d'eau



Tube de cuivre seulement : Placer l'écrou et la virole à environ 1" (2,5 cm) de l'extrémité du tube.

REMARQUE : Pour qu'il n'y ait pas de vibration durant le fonctionnement, placer le conduit d'arrivée d'eau de telle manière qu'il ne soit pas en contact avec la base du lave-vaisselle, le châssis ou le moteur.

2 Raccordement à la canalisation d'eau - tube de cuivre ou tube flexible

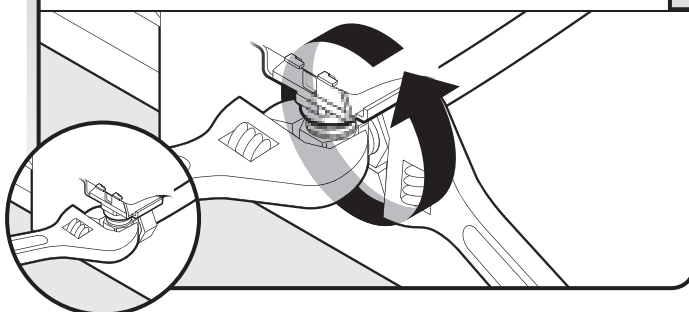


Tube de cuivre seulement : Insérer le tube dans le raccord 90°, aussi loin qu'il peut aller (travailler prudemment – il est facile de déformer/écraser le tube). Faire glisser l'écrou et la virole vers l'avant et fixer l'écrou sur le filetage du raccord à 90°.

Tube de plastique (avec tressage de renforcement) : Visser l'écrou sur le raccord à 90° – utiliser une clé plate de $\frac{5}{8}$ " ou une clé à molette.

REMARQUE : Ne pas utiliser du ruban de Teflon® avec les raccords à compression.

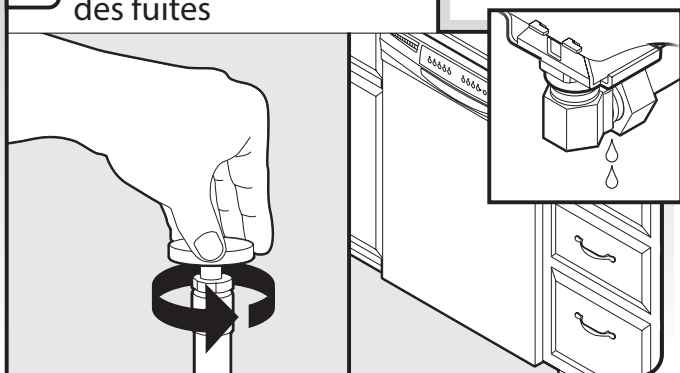
3 Serrage du raccord du tube d'arrivée d'eau en cuivre ou tressé



Utiliser une clé à molette pour immobiliser le raccord 90°; serrer l'écrou avec une seconde clé à molette.

Conseil : Il est plus facile d'effectuer le serrage sur le raccord avec une clé plate de $\frac{5}{8}$ ".

4 Inspection/Recherche des fuites

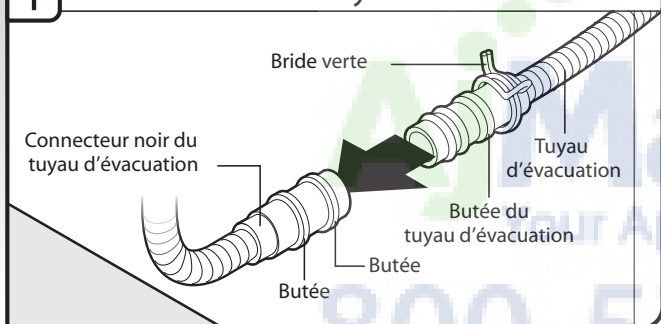


Placer un essuie-tout de papier sous le raccord 90°. Ouvrir le robinet d'arrêt de la canalisation d'arrivée d'eau. Inspecter pour rechercher d'éventuelles fuites. S'il y a une fuite, répéter les étapes précédentes.

Si nécessaire, consulter le site Internet www.whirlpool.com/watersupply (onglet FAQ) qui présente une description vidéo de cette étape.

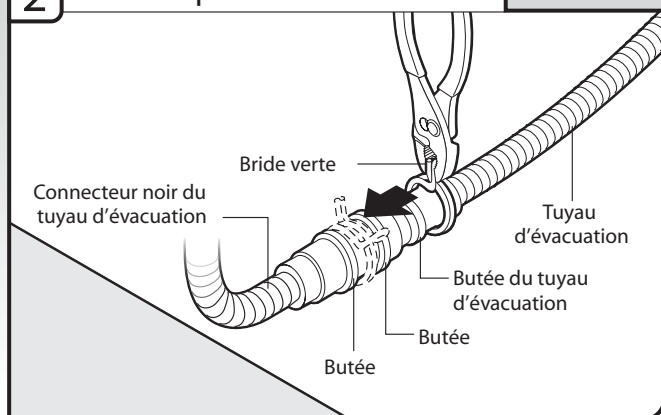
Raccordement à l'égoût

1 Raccordement du tuyau d'évacuation



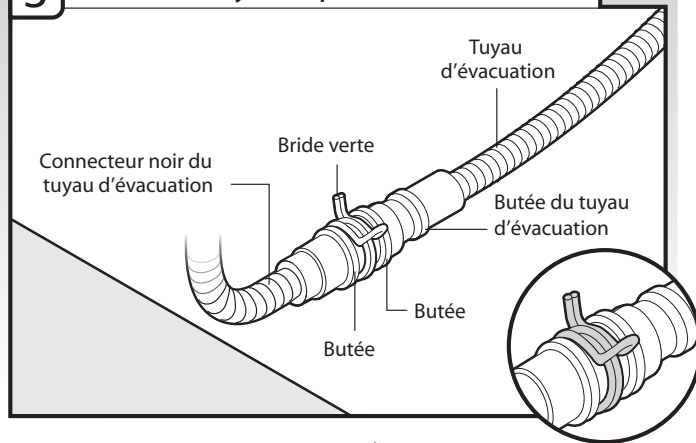
Placer une serviette sous le tuyau d'évacuation pour récupérer toute quantité d'eau qui peut s'écouler du tuyau. Placer la bride de tuyau verte (petite bride) sur l'extrémité de petit diamètre du tuyau d'évacuation. Enfoncer le tuyau d'évacuation dans le connecteur noir jusqu'au point de butée.

2 Mise en place de la bride



Utiliser une pince pour ouvrir complètement la bride verte; faire glisser la bride sur le connecteur pour la placer entre les butées.

3 Bride de tuyau – position finale



Lorsque le raccordement est terminé, enlever la serviette.

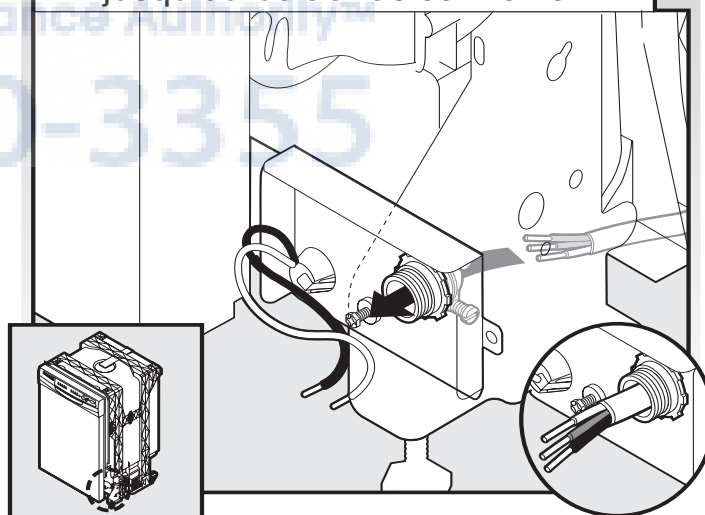
Si nécessaire, consulter le site Internet www.whirlpool.com/drain (onglet FAQ) qui présente une description vidéo de cette étape.

Raccordement électrique – Câblage direct

REMARQUE : Si un cordon d'alimentation a été connecté précédemment, passer à la section Immobilisation du lave-vaisselle dans la cavité d'encastrement.

Option B - Câblage direct :

1 Câblage direct — Acheminement jusqu'au boîtier de connexion



Installer le câble d'alimentation de telle manière qu'il ne soit pas en contact avec le moteur du lave-vaisselle, jusqu'à la partie inférieure de la cuve du lave-vaisselle. Introduire le câble dans le boîtier de connexion à travers le connecteur de conduit.

Pour le raccordement des conducteurs (conducteurs du cordon d'alimentation et conducteurs de calibre 16 du lave-vaisselle) utiliser des connecteurs de fil (homologation UL ou CSA).

⚠ AVERTISSEMENT



Risque de choc électrique

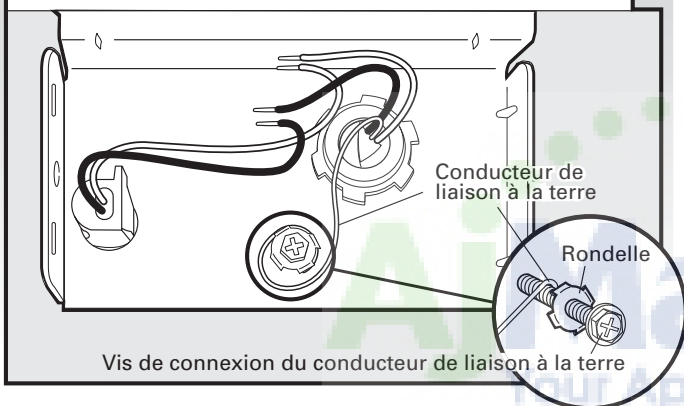
Relier le lave-vaisselle à la terre d'une méthode électrique.

Brancher le fil relié à la terre au connecteur vert relié à la terre dans la boîte de la borne.

Ne pas utiliser un câble de rallonge.

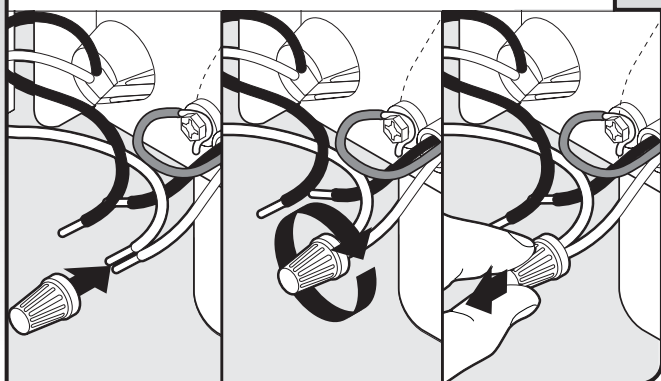
Le non-respect de ces instructions peut causer un décès, un incendie ou un choc électrique.

2 Câblage direct – Raccordement du conducteur de liaison à la terre



À l'extrémité du conducteur de liaison à la terre, former un crochet en U; placer le crochet autour de la vis de connexion du conducteur de liaison à la terre, et sous la rondelle. Bien serrer la vis de connexion.

3 Câblage direct – Raccordement des autres conducteurs



REMARQUE : Installer chaque connecteur de fils sur les conducteurs (mouvement de vissage). Tirer doucement sur les conducteurs pour vérifier qu'ils sont solidement connectés.

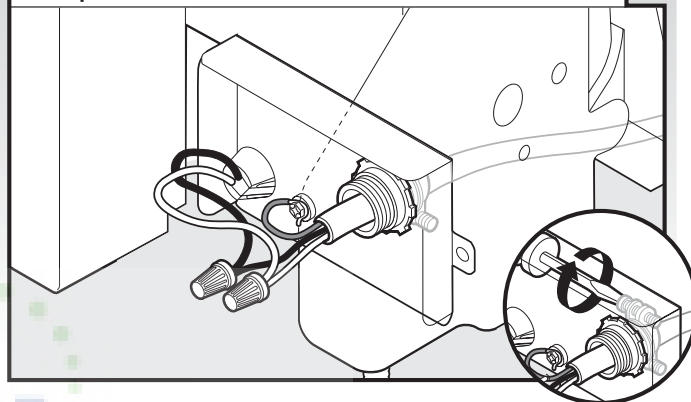
Utiliser des connecteurs de fils (homologation UL ou CSA) (pas fournis) pour raccorder les conducteurs - noir à noir et blanc à blanc.

Configuration de câblage

Câble d'alimentation :	Conducteur dans le boîtier de connexion :
blanc ←→ blanc	
noir ←→ noir	
conducteur de liaison à la terre	Vis de connexion du conducteur de liaison à la terre

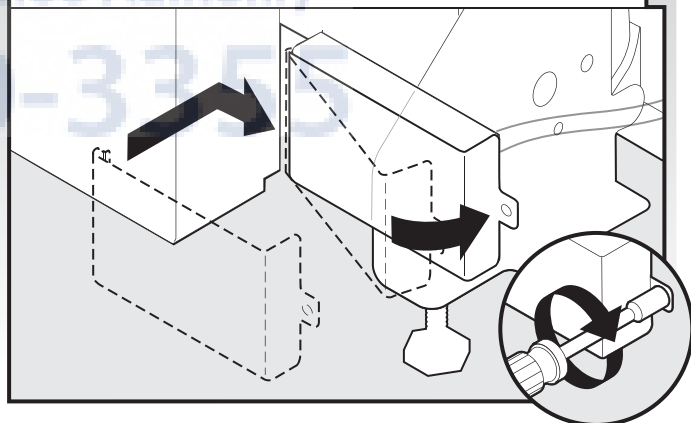
Si nécessaire, consulter le site Internet www.whirlpool.com/electrical (onglet FAQ) qui présente une description vidéo de cette étape.

4 Câblage direct – Immobilisation par le connecteur de conduit



Serrer les vis du serre-câble pour immobiliser le câble.

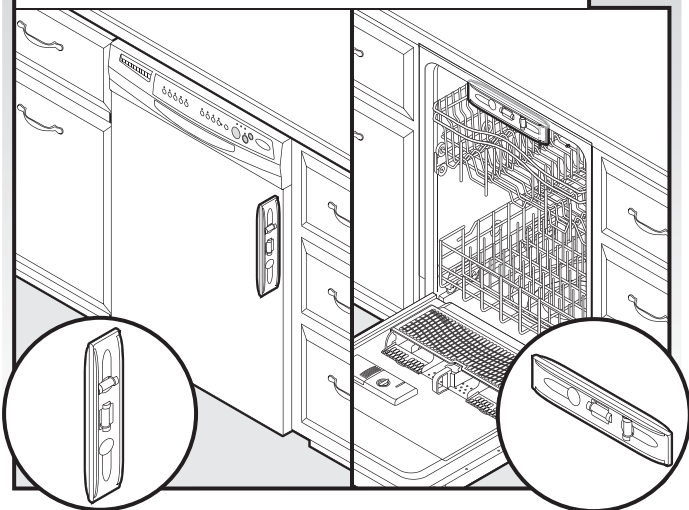
5 Câblage direct – Réinstallation du couvercle du boîtier de connexion



Placer les fils à l'intérieur du boîtier. Insérer les pattes du côté gauche du couvercle. Vérifier que les conducteurs sont bien engagés l'intérieur du boîtier. Fermer le couvercle - veiller à ne pas coincer des conducteurs. Utiliser un tourne-écrou de 1/4" pour réinstaller la vis de fixation du couvercle.

Immobilisation du lave-vaisselle dans la cavité d'encastrement

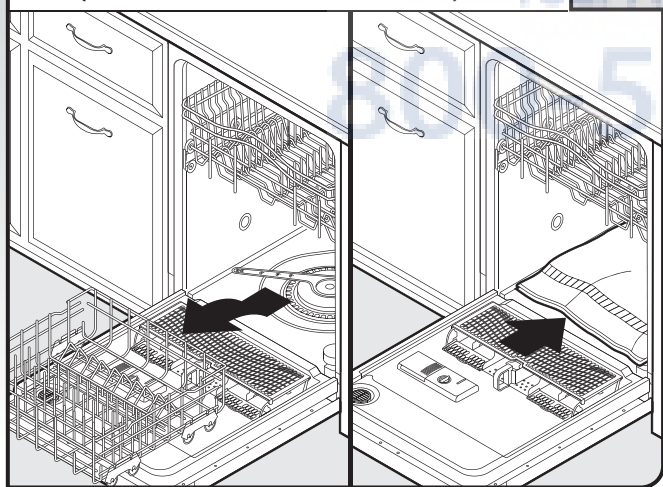
1 Contrôler de nouveau l'alignement du lave-vaisselle dans la cavité d'encastrement



Vérifier l'aplomb vertical et l'aplomb transversal du lave-vaisselle installé dans la cavité.

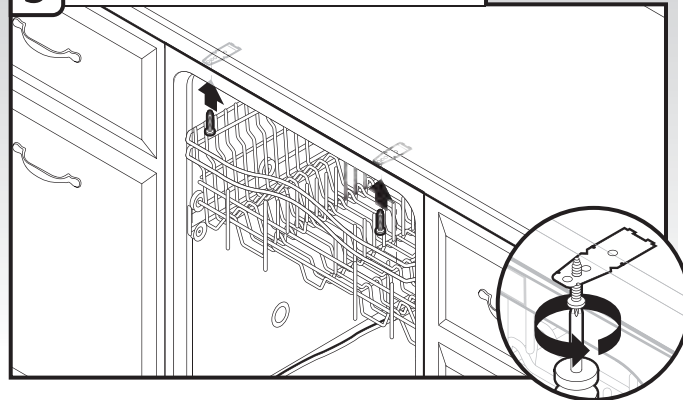
IMPORTANT : Si le plan de travail est fait d'un matériau comme le Corrian, le granit, etc., on doit utiliser l'ensemble de montage latéral (pièce no 8212560). Exécuter les instructions pour installer les brides fournies avec l'ensemble.

2 Extraction du panier inférieur (utilisation d'une serviette)



Ouvrir la porte du lave-vaisselle; retirer le panier inférieur; placer une serviette par-dessus la pompe et la rampe d'aspersion inférieure; ceci empêchera une vis qui tomberait durant l'opération d'arrimage de s'introduire dans la zone de la pompe.

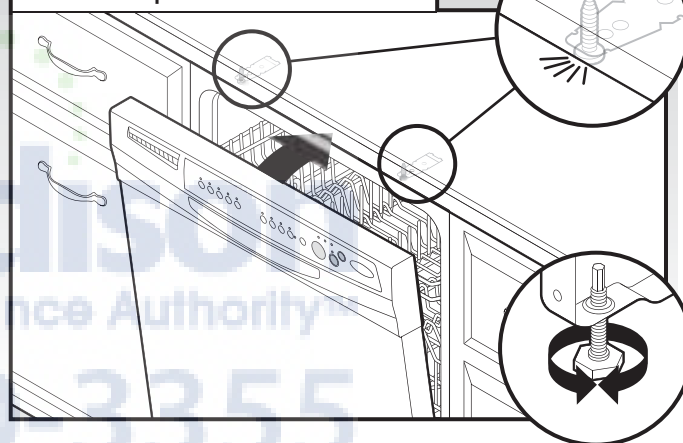
3 Arrimer le lave-vaisselle



REMARQUE : Veiller à ne pas laisser tomber une vis au fond de la cuve du lave-vaisselle.

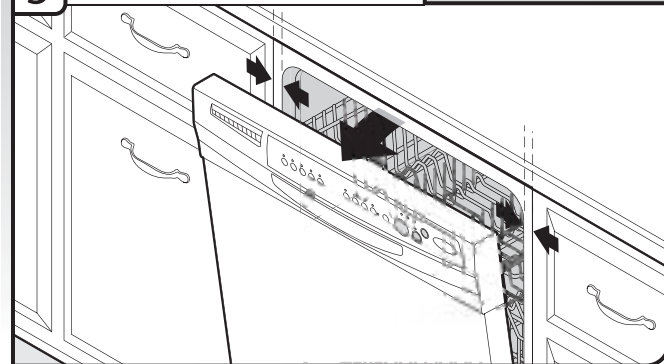
Identifier les brides d'arrimage au sommet du lave-vaisselle; fixer les brides sur le plan de travail avec deux vis Phillips no 10 x 1/2" (fournies). Il faut que le lave-vaisselle soit immobilisé pour qu'il ne puisse osciller/basculer lors de l'ouverture de la porte.

4 Liberté de manœuvre de la porte



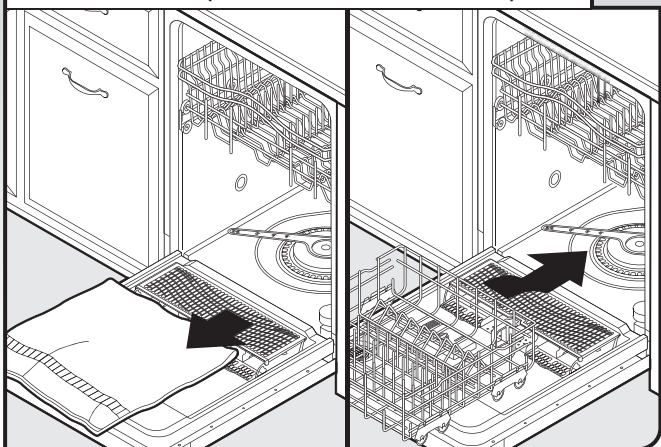
Vérifier que le sommet de la porte ne peut entrer en contact avec les vis, les brides ou le plan de travail; s'il y a une quelconque interférence, modifier le réglage des pieds.

5 Centrage transversal



Ouvrir la porte, et vérifier que le lave-vaisselle est parfaitement centré dans la cavité d'encastrement (espacement identique à gauche et droite entre le lave-vaisselle et les placards latéraux). Si l'espacement n'est pas identique, desserrer les vis des brides de fixation et déplacer légèrement le lave-vaisselle; resserrer les vis de fixation des brides.

6 Réinstallation du panier inférieur (retrait de la serviette)

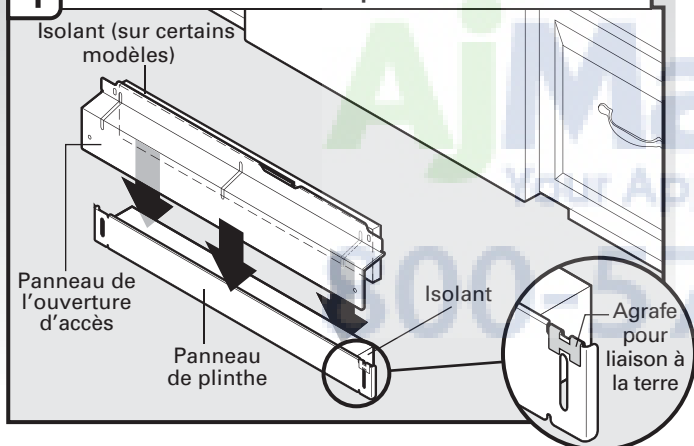


Retirer la serviette de protection qui avait été placée au fond du lave-vaisselle. Réinstaller le panier inférieur.

Si nécessaire, consulter le site Internet www.whirlpool.com/anchoring (onglet FAQ) qui présente une description vidéo de cette étape.

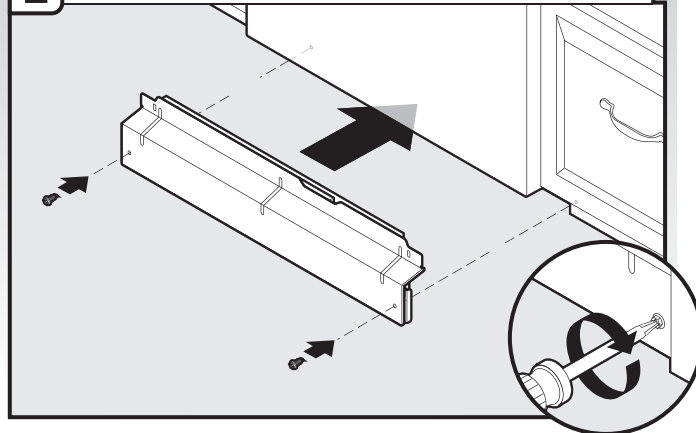
Achever l'installation

1 Réinstallation des panneaux d'accès



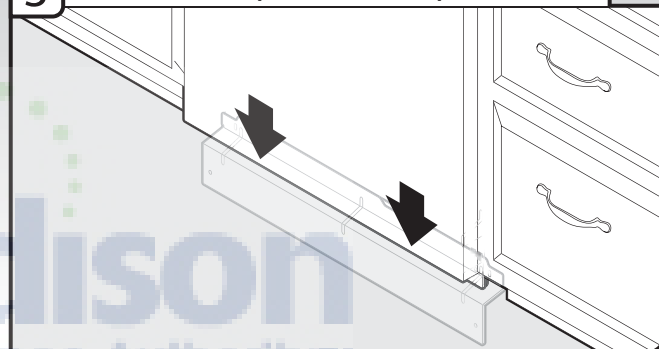
Vérifier que l'agrafe de liaison à la terre est fixée sur le panneau de plinthe. Positionner le panneau de plinthe derrière le panneau de l'ouverture d'accès. Sur certains modèles, le panneau de l'ouverture d'accès comporte un matériau isolant qui doit s'engager derrière l'isolant du panneau de plinthe.

2 Réinstallation des panneaux d'accès



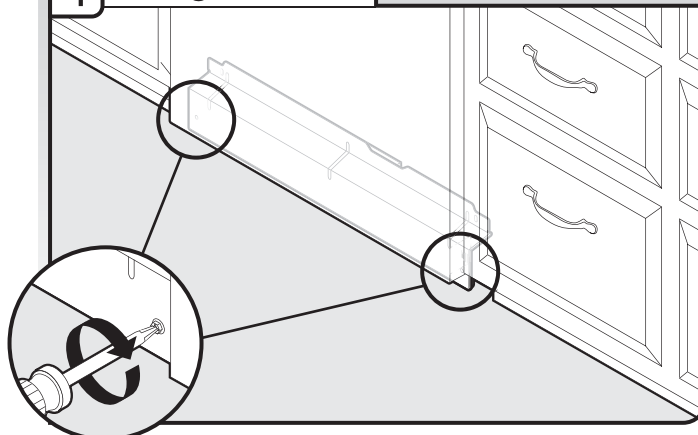
Maintenir les deux panneaux ensemble; placer les deux panneaux contre le pied du lave-vaisselle. Utiliser un tournevis Phillips ou un tourne-écrou 1/4" pour réinstaller les vis à travers les trous du panneau de l'ouverture d'accès et du panneau de plinthe.

3 Contrôle du panneau de plinthe



Vérifier que la rive inférieure du panneau de plinthe est en contact avec le sol; ajuster selon le besoin.

4 Serrage des vis



Serrer les vis de fixation du panneau de l'ouverture d'accès.

⚠ AVERTISSEMENT



Risque de choc électrique

Brancher sur une prise à 3 alvéoles reliée à la terre.

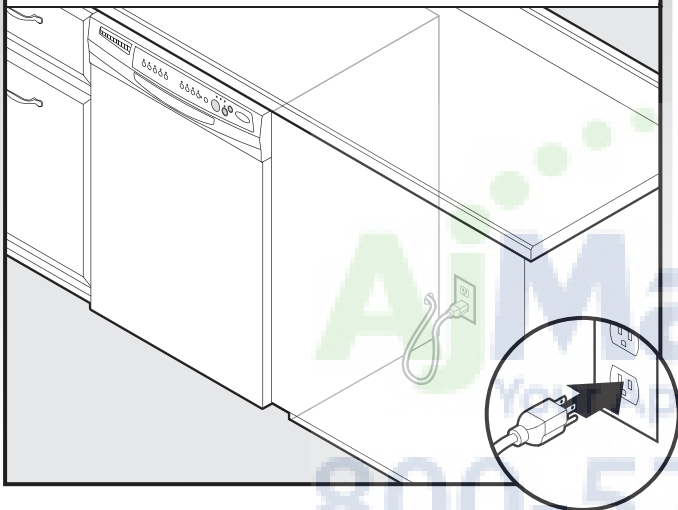
Ne pas enlever la broche de liaison à la terre.

Ne pas utiliser un adaptateur.

Ne pas utiliser un câble de rallonge.

Le non-respect de ces instructions peut causer un décès, un incendie ou un choc électrique.

1 Cordon d'alimentation – Branchement sur une prise de courant à 3 alvéoles



Brancher la fiche du cordon d'alimentation sur une prise de courant reliée à la terre, à 3 alvéoles. Vérifier que le cordon d'alimentation n'entre pas en contact avec le moteur du lave-vaisselle ou la partie inférieure de la cuve.

Reconnecter la source de courant électrique

1 Reconnecter la source de courant électrique

Rétablir l'alimentation du circuit au niveau du tableau de distributeur (fusible ou disjoncteur).

Contrôle du fonctionnement

- Lire attentivement le mode d'emploi du lave-vaisselle fourni avec l'appareil.
- Vérifier que tous les composants ont été installés et qu'aucune étape n'a été omise. Vérifier la présence de tous les outils.
- Mettre le lave-vaisselle en marche; laisser l'appareil exécuter le programme de lavage le plus court. Après la période initiale de 2 minutes, déverrouiller la porte, attendre 5 secondes, et ouvrir la porte; vérifier la présence d'eau au fond de la cuve du lave-vaisselle. Vérifier que le lave-vaisselle fonctionne correctement.

Si ce n'est pas le cas, déconnecter la source de courant électrique ou débrancher le lave-vaisselle et consulter la section de diagnostic "Si le lave-vaisselle ne fonctionne pas".

Si le lave-vaisselle ne fonctionne pas

Pour éviter le coût d'une intervention de service, essayer d'abord les suggestions de solution présentées ci-dessous.

- Disjoncteur ouvert ou fusible grillé?
- Porte bien fermée et verrouillée?
- Sélection correcte du programme pour la mise en marche de l'appareil?
- Robinet d'arrêt ouvert?

Si l'appareil ne peut toujours pas fonctionner, contacter un réparateur : 1-800-253-1301, ou au Canada, 1-800-807-6777.

Conseils additionnels

Il convient de prévoir des temps de lavage plus longs. La durée du lavage avec ce nouveau lave-vaisselle est en moyenne de 2 à 3 heures par charge, mais la consommation d'énergie est réduite de près 40 % par comparaison aux modèles antérieurs. Cet appareil doté d'un moteur de basse puissance, à faible consommation d'énergie, exécute des programmes de plus longue durée pour produire un nettoyage exceptionnel. Certains modèles sont dotés d'un dispositif de détection optique de la concentration de souillures dans l'eau, et la durée du premier programme sera plus longue du fait du processus d'étalonnage du capteur optique. La sélection de certaines options peut également augmenter la durée d'exécution des programmes au-delà de 3,5 heures.

L'emploi d'un agent de rinçage est nécessaire pour la production d'un séchage de qualité. Ce lave-vaisselle est conçu pour l'utilisation d'un agent de rinçage pour la production d'un séchage de qualité et la minimisation des dépôts de calcaire imputables à une eau dure. Un lave-vaisselle à basse consommation d'énergie utilise moins d'eau et d'énergie et tire parti pour la production d'un bon séchage de la formation d'un film d'eau facilitée par l'emploi d'un agent de rinçage.

Le témoin Start/Resume peut clignoter :

Lors d'une pression sur la touche Start/Resume, on doit veiller à fermer la porte en moins de 3 secondes; si ce n'est pas le cas, le témoin Start/Resume continue à clignoter et on doit appuyer de nouveau sur le bouton. (On doit également exécuter cette manœuvre lors de l'addition de vaisselle après le commencement d'un programme de lavage).



W10240115A

© 2009
All rights reserved.
Tous droits réservés.

©Registered trademark™ Trademark of Maytag Corporation or its related companies
©Marque déposée™ Marque de commerce de Maytag Corporation ou de ses compagnies affiliées

7/09
Printed in U.S.A.
Imprimé aux É.-U.