



At Madison
Your Appliance Authority™
800-570-3355

Drawer Microwave Oven Use & Care Guide



Contents

- 4 Safety Precautions
- 6 Drawer Microwave Oven Features
- 7 Microwave Oven Operation
- 13 Care Recommendations
- 14 Troubleshooting
- 15 Wolf Warranty

Customer Care

The model and serial number are printed on the enclosed product registration card. Both numbers are also listed on the product rating plate. Refer to page 6 for rating plate location. For warranty purposes, you will also need the date of installation and name of your authorized Wolf dealer. Record this information below for future reference.

If your product ever needs attention, be sure to use a Wolf factory certified service provider recommended by our customer care center, or select one from our list of providers available at wolfappliance.com/locator. All factory certified service providers are carefully selected and thoroughly trained by us.

SERVICE INFORMATION

Model Number _____

Serial Number _____

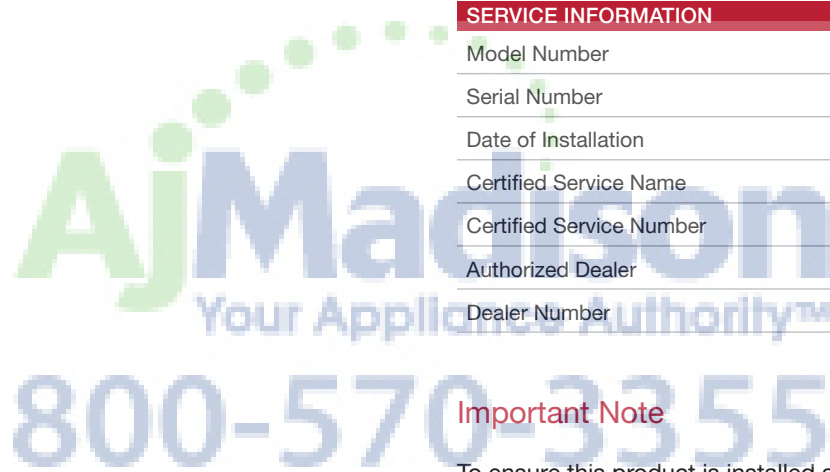
Date of Installation _____

Certified Service Name _____

Certified Service Number _____

Authorized Dealer _____

Dealer Number _____



Important Note

To ensure this product is installed and operated as safely and efficiently as possible, take note of the following types of highlighted information throughout this guide:

IMPORTANT NOTE highlights information that is especially important.

CAUTION indicates a situation where minor injury or product damage may occur if instructions are not followed.

WARNING states a hazard that may cause serious injury or death if precautions are not followed.

IMPORTANT NOTE: Throughout this guide, dimensions in parentheses are millimeters unless otherwise specified.

Thank You

Thank you for your purchase. We look forward to being part of your home for decades to come. As a third-generation family-owned company, we take a very personal stake in the preparation of your family's food. We built our business and our reputation on helping families serve the finest food possible.

With your purchase, you receive one of the strongest warranties in the appliance industry. Take a moment to read the full warranty statement on page 15. It's also important to register your Wolf appliance to ensure that you don't miss out on exclusive owner benefits, such as; assurance that you will be taken care of in the unlikely event that service becomes necessary during the warranty period, and a proof-of-purchase record in case of a home insurance claim. You may register by one of the following options:

- Mail in the completed Wolf product registration card.
- Register online at wolfappliance.com/register and create a personalized My Sub-Zero/ Wolf account using the serial number on your product.
- Register by phone by calling Wolf Customer Care at 800-222-7820.

As a Wolf owner, you can count on ongoing support, day in and day out. Our customer care center is available 24 hours a day, seven days a week and staffed by knowledgeable product experts at our factory in Madison, Wisconsin. Should the need arise, simply call 800-222-7820 and speak with one of our product experts. They will help troubleshoot any issues you might have.

We are confident this guide will answer your questions about the features, operation, and maintenance of your Wolf, but if you have additional questions, please contact us at 800-222-7820 or visit us online at wolfappliance.com.



IMPORTANT INSTRUCTIONS

PRECAUTIONS TO AVOID POSSIBLE EXPOSURE TO EXCESSIVE MICROWAVE ENERGY

- Do not attempt to operate this microwave oven with the door open since open-door operation can result in harmful exposure to microwave energy. It is important not to defeat or tamper with the safety interlocks.
- Do not place any object between the microwave oven front face and the door or allow soil or cleaner residue to accumulate on sealing surfaces.
- Do not operate the microwave oven if it is damaged. It is particularly important that the oven door close properly and that there is no damage to the: (1) door (bent), (2) hinges and latches (broken or loosened), (3) door seals and sealing surfaces.
- The microwave oven should not be adjusted or repaired by anyone except properly qualified service personnel.

When using electrical appliances, basic safety precautions should be followed, including the following:

⚠ WARNING

To reduce the risk of burns, electric shock, fire, injury to persons or exposure to excessive microwave energy, observe the following:

- Read all instructions before using the appliance.
- Read and follow the specific PRECAUTIONS TO AVOID POSSIBLE EXPOSURE TO EXCESSIVE MICROWAVE ENERGY.
- This appliance must be properly grounded. See GROUNDING INSTRUCTIONS in the installation guide.
- Install or locate this appliance only in accordance with the provided installation instructions.
- Some products such as whole eggs and sealed containers (e.g. closed glass jars) are able to explode and should not be heated in this oven.
- Do not operate this appliance if it has a damaged cord or plug, if it is not working properly or if it has been damaged or dropped.

IMPORTANT INSTRUCTIONS

- Use this appliance only for its intended use as described in this guide. Do not use corrosive chemicals or vapors in this appliance. This type of oven is specifically designed to heat, cook or dry food. It is not designed for industrial or laboratory use.
- This appliance should be serviced only by qualified service personnel. Contact nearest authorized service facility for examination, repair or adjustment.
- As with any appliance, close supervision is necessary when used by children.
- Do not cover or block any openings on the appliance.
- Do not store this appliance outdoors. Do not use this product near water (e.g. near a kitchen sink, in a wet basement or near a swimming pool, or similar locations).
- Do not immerse cord or plug in water.
- Keep cord away from heated surfaces.
- Do not let cord hang over edge of table or counter.
- When cleaning appliance sealing surfaces that come together on closing the drawer, use only mild, nonabrasive soaps or detergents applied with a sponge or soft cloth. Refer to care recommendations on page 13.
- Liquids, such as water, coffee or tea are able to be overheated beyond the boiling point without appearing to be boiling. Visible bubbling or boiling when the container is removed from the microwave oven is not always present. This could result in very hot liquids suddenly boiling over when the container is disturbed or a utensil is inserted into the liquid.

TO REDUCE THE RISK OF FIRE IN THE OVEN

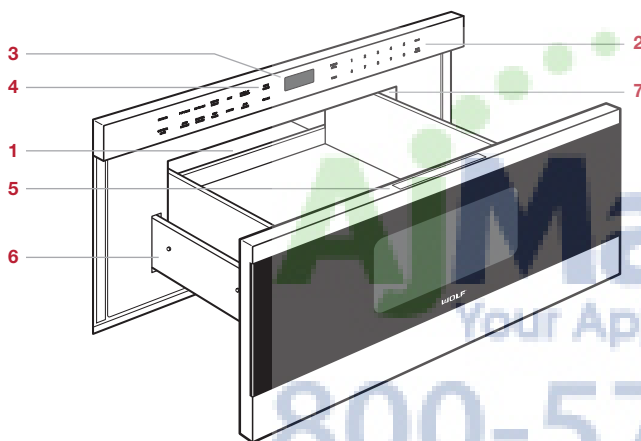
- Do not overcook food. Carefully attend appliance when paper, plastic or other combustible materials are placed inside the oven to facilitate cooking.
- Remove wire twist ties from paper or plastic bags before placing bag in oven.
- If materials inside the oven ignite, keep oven drawer closed, turn oven off and disconnect the power cord, or shut off power at the fuse or circuit breaker panel.
- Do not use the cavity for storage purposes. Do not leave paper products, cooking utensils or food in the cavity when not in use.

SAVE THESE INSTRUCTIONS



Drawer Microwave Oven Features

FEATURE	
1	Product Rating Plate
2	Control Panel
3	Interactive Visual Display
4	One-Touch Drawer Opening
5	Menu Label
6	Full-Extension Drawer Glides
7	Interior Lighting



Drawer microwave oven.

Getting Started

We know you are eager to start cooking, but before you do, please take some time to read this use & care guide. Whether you are an occasional cook or an expert chef, it will be to your benefit to familiarize yourself with the safety practices, features, operation and care recommendations of your drawer microwave oven.

Clean the oven thoroughly with hot water and mild detergent. Rinse and dry with a soft cloth to remove any residual oil and grease left from the manufacturing process. Refer to care recommendations on page 13.

Control Panel

The control panel features touch controls and an interactive visual display. Refer to the illustration below.

CONTROL LOCK

The control lock feature prevents unwanted microwave oven operation.

To lock:

- 1 Touch CONTROL LOCK, then touch START. 'LOCK ON' will appear on the control panel display.

To unlock:

- 1 Touch CONTROL LOCK, then touch START. 'LOCK OFF' will appear on the control panel display.

OPEN / CLOSE

To open or close the drawer, touch OPEN/CLOSE. Do not push or pull the drawer by hand, except in an emergency.



Control panel.

Oven Operation

CLOCK

The clock must be set prior to use and after a power failure.

Setting clock:

- 1 Touch CLOCK.
- 2 Use number pads to enter the time of day, then touch CLOCK.

TIMER

The timer can be set for a maximum of 99 minutes and 99 seconds. Once a time is set, the countdown will appear on the control panel display. Oven will chime and 'END' will appear on the display when complete.

Setting timer:

- 1 Touch TIMER.
- 2 Use number pads to enter timer duration.
- 3 Touch TIMER to begin.
- 4 Touch STOP/CLEAR to cancel.

Settings

The settings feature allows the user to select individual preferences. Preferences must be reset after a power failure.

AUDIBLE SIGNAL

An audible signal will chime with every touch and upon cook time and timer completion.

To eliminate signal:

- 1 Touch SETTINGS twice.
- 2 Touch START. 'SOUND OFF' will appear on the control panel display.

To restore signal:

- 1 Touch SETTINGS twice.
- 2 Touch START. 'SOUND ON' will appear on the control panel display.

COOK TIME COMPLETION REMINDER

Upon completion, the microwave oven will chime every ten seconds for the first minute; then every three minutes (for one hour) until STOP/CLEAR is touched.

To eliminate reminder:

- 1 Touch SETTINGS three times.
- 2 Touch START. 'REMIND SIGNAL OFF' will appear on the control panel display.

To restore reminder:

- 1 Touch SETTINGS three times.
- 2 Touch START. 'REMIND SIGNAL ON' will appear on the control panel display.

DEMONSTRATION MODE

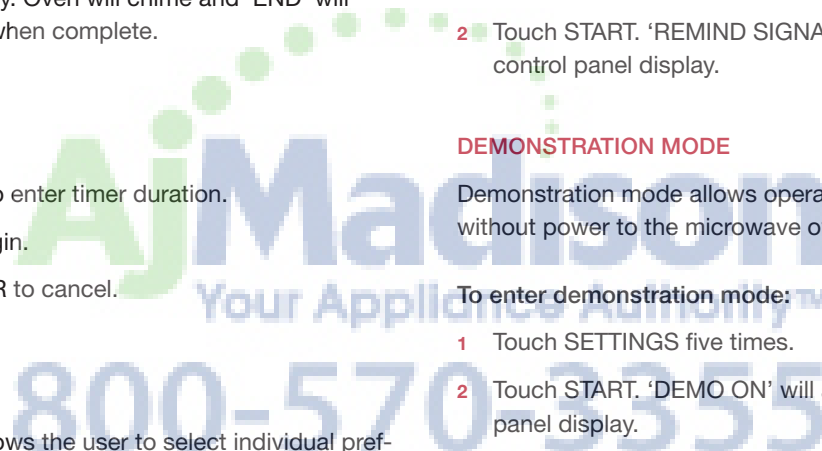
Demonstration mode allows operation to be demonstrated without power to the microwave oven.

To enter demonstration mode:

- 1 Touch SETTINGS five times.
- 2 Touch START. 'DEMO ON' will appear on the control panel display.

To exit demonstration mode:

- 1 Touch SETTINGS five times.
- 2 Touch START. 'DEMO OFF' will appear on the control panel display.



Manual Cooking

POWER LEVEL

The microwave oven has ten preset power levels.

To cook manually at 100% power:

- 1 Use number pads to enter desired cook time.
- 2 Touch START.
- 3 Oven will chime and 'END' will appear on the control panel display when complete.

To cook manually at a power level less than 100%, touch POWER LEVEL, then use number pads to select desired power level. Refer to the chart below.

POWER LEVEL		
POWER LEVEL	High	100%
POWER LEVEL, 9		90%
POWER LEVEL, 8		80%
POWER LEVEL, 7	Medium High	70%
POWER LEVEL, 6		60%
POWER LEVEL, 5	Medium	50%
POWER LEVEL, 4		40%
POWER LEVEL, 3	Medium Low/Defrost	30%
POWER LEVEL, 2		20%
POWER LEVEL, 1	Low	10%

MULTIPLE SEQUENCE COOKING

The microwave oven can be programmed for up to four automatic cooking sequences, switching from one power level to another automatically.

To use multiple sequence cooking (e.g. start at 100%, then switch to 50% power):

- 1 Touch POWER LEVEL twice, then use number pads to enter desired cook time.
- 2 Touch POWER LEVEL, then touch 5, then use number pads to enter a second cook time.
- 3 Touch START.

AUTO START

The microwave oven can be programmed to begin cooking automatically at a designated time of day. The clock must be set to the correct time for auto start to function properly.

To use auto start:

- 1 Touch SETTINGS four times.
- 2 Touch START.
- 3 Use number pads to enter start time.
- 4 Touch CLOCK.
- 5 Use number pads to enter cook time. Adjust power level if necessary.
- 6 Touch START.

Manual Cooking

ADD MINUTE

The add minute feature cooks for one minute at 100% by touching ADD MINUTE. Touch multiple times to increase cook time. Each touch increases time by one minute. This feature cannot be used with sensor cooking settings.

KEEP WARM

The keep warm feature will keep food warm for up to 90 minutes.

To use keep warm:

- 1 Touch KEEP WARM.
- 2 Use number pads to enter desired keep warm time.
- 3 Touch START.
- 4 Touch STOP/CLEAR to cancel.

POPCORN

The popcorn feature has two options. Follow directions on the control panel display to select the desired option. Use only popcorn packaged for microwave ovens.

To use popcorn:

- 1 Touch POPCORN once for regular size or twice for snack size packages.
- 2 Touch START.

MELT

The melt feature will melt butter or chocolate.

To use melt:

- 1 Touch MELT.
- 2 **For butter:** Touch 1 once for 2 tablespoons or twice for 1/2 cup.
For chocolate: Touch 2 once for 1 cup or twice for 1 square.
- 3 Touch START.

SOFTEN

The soften feature will soften ice cream or cream cheese.

To use soften:

- 1 Touch SOFTEN.
- 2 **For ice cream:** Touch 1 once for 1 pint or twice for 1/2 gallon.
For cream cheese: Touch 2 once for 3 ounces or twice for 8 ounces.
- 3 Touch START.

BEVERAGE

The beverage feature will reheat a beverage or prepare hot water for coffee or tea.

To use beverage:

- 1 Touch BEVERAGE.
- 2 **To reheat beverage:** Touch 1 multiple times to select amount in 1/2 cup increments, up to 2 cups.
For hot water: Touch 2 multiple times to select amount in 1 cup increments, up to 6 cups.
- 3 Touch START.

Sensor Cooking

WOLF GOURMET

The Wolf gourmet feature detects moisture and humidity from food as it heats and automatically adjusts cook time and power level. Fresh vegetables and poultry have two options. Follow directions on the control panel display to select the desired option. Refer to the Wolf gourmet guide on page 11.

To select Wolf gourmet:

- 1 Touch WOLF GOURMET, then use number pads to select desired food (e.g. 5 for baked potatoes).
- 2 Touch START.

SENSOR REHEAT

The sensor reheat feature detects moisture and humidity from food as it reheats, and automatically adjusts cook time and power level.

To select sensor reheat:

- 1 Touch SENSOR REHEAT.
- 2 Touch START.

TIME ADJUSTMENT

The time adjustment feature increases or decreases cook time for sensor cooking settings.

To adjust time:

- 1 Touch POWER LEVEL once for 'MORE' or twice for 'LESS' time.

Defrost

AUTO DEFROST

The auto defrost feature uses preset settings to defrost select food items. Refer to the auto defrost guide on page 12. For foods not listed, refer to manual defrost.

To select auto defrost:

- 1 Touch AUTO DEFROST, then use number pads to select desired food (e.g. 3 for boneless poultry).
- 2 Use number pads to enter weight.
- 3 Touch START. After a period of time, the microwave oven will stop so food can be checked.
- 4 Open drawer and turn food over.
- 5 Repeat until defrost is complete.

MANUAL DEFROST

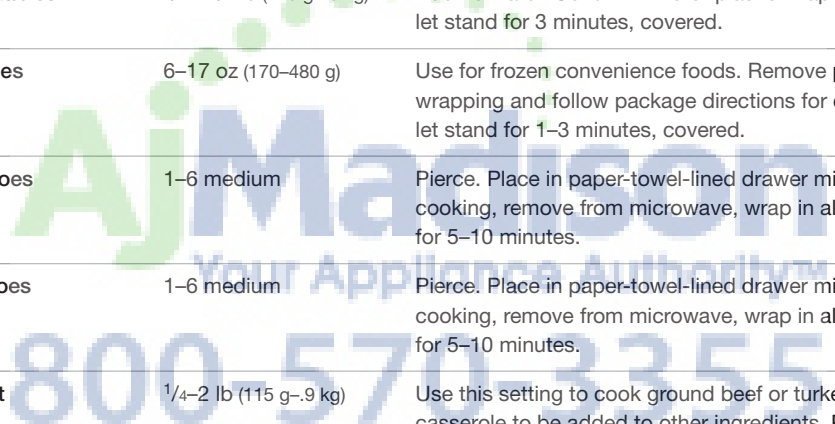
The manual defrost feature automatically defrosts at 30% power. Food should be turned throughout the process to ensure even defrosting. To defrost at another power level, refer to power level on page 8.

To defrost manually:

- 1 Touch manual defrost.
- 2 Use number pads to enter desired time.
- 3 Touch START.

Wolf Gourmet Guide

NUMBER	FOOD	AMOUNT	METHOD
1	Fresh Vegetables—Quick Broccoli, Brussels Sprouts and Cabbage Cauliflower (flowerets) Cauliflower (whole) Spinach and Zucchini Baked Apples	$\frac{1}{4}$ –2 lb (115 g–.9 kg) $\frac{1}{4}$ –2 lb (115 g–.9 kg) 1 medium $\frac{1}{4}$ –2 lb (115 g–.9 kg) 2–4 medium	Wash and place in microwave-safe casserole. Add no water if vegetables have just been washed. Cover with lid for tender vegetables. Use plastic wrap for tender-crisp vegetables. After cooking, stir, if possible. Let stand for 2–5 minutes, covered.
2	Fresh Vegetables—Longer Carrots (sliced) Corn on the Cob Green Beans Winter Squash (diced) Winter Squash (halves)	$\frac{1}{4}$ –1 $\frac{1}{2}$ lb (115 g–.7 kg) 2–4 pieces $\frac{1}{4}$ –1 $\frac{1}{2}$ lb (115 g–.7 kg) $\frac{1}{4}$ –1 $\frac{1}{2}$ lb (115 g–.7 kg) 1–2	Place in microwave-safe casserole. Add 1–4 tablespoons (15–60 ml) water. Cover with lid for tender vegetables. Use plastic wrap cover for tender-crisp vegetables. After cooking, stir, if possible. Let stand for 2–5 minutes, covered.
3	Frozen Vegetables	$\frac{1}{4}$ –1 $\frac{1}{4}$ lb (115 g–.6 kg)	Add no water. Cover with lid or plastic wrap. After cooking, stir and let stand for 3 minutes, covered.
4	Frozen Entrees	6–17 oz (170–480 g)	Use for frozen convenience foods. Remove package from outer wrapping and follow package directions for covering. After cooking, let stand for 1–3 minutes, covered.
5	Baked Potatoes	1–6 medium	Pierce. Place in paper-towel-lined drawer microwave oven. After cooking, remove from microwave, wrap in aluminum foil and let stand for 5–10 minutes.
6	Sweet Potatoes	1–6 medium	Pierce. Place in paper-towel-lined drawer microwave oven. After cooking, remove from microwave, wrap in aluminum foil and let stand for 5–10 minutes.
7	Ground Meat	$\frac{1}{4}$ –2 lb (115 g–.9 kg)	Use this setting to cook ground beef or turkey as patties or in a casserole to be added to other ingredients. Place patties on a microwave-safe rack and cover with wax paper. Place ground meat in a casserole and cover with wax paper or plastic wrap. When microwave stops, turn patties over or stir meat in casserole to break up large pieces. Cover and touch START. After cooking, let stand for 2–3 minutes, covered.
8	Fish, Seafood	$\frac{1}{4}$ –2 lb (115 g–.9 kg)	Arrange in ring around shallow microwave-safe glass dish (roll fillet with edges underneath). Cover with vented plastic wrap. After cooking, let stand for 3 minutes, covered.
9	White Rice	$\frac{1}{2}$ –2 cups (95–380 g)	Place rice into a deep casserole dish and add double quantity of water (e.g. 1 cup rice and 2 cups water). Cover with lid or plastic wrap. After cooking, stir, cover and let stand for 3–5 minutes or until all liquid has been absorbed.
10	Brown Rice	$\frac{1}{2}$ –2 cups (95–380 g)	Place rice into a deep casserole dish and add double quantity of water (e.g. 1 cup rice and 2 cups water). Cover with lid or plastic wrap. After cooking, stir, cover and let stand for 3–5 minutes or until all liquid has been absorbed.



Auto Defrost Guide

NUMBER	FOOD	AMOUNT	METHOD
1	Ground Meat	1/2–2 lb (230 g–1.1 kg)	Remove any thawed pieces after each audible signal. Let stand for 5–10 minutes, covered.
2	Steaks, Chops	1/2–3 lb (230 g–1.4 kg)	After each audible signal, rearrange. If there are warm or thawed portions, shield with small flat pieces of aluminum foil. Remove any meat that is almost defrosted. Let stand for 10–20 minutes, covered.
3	Boneless Poultry	1/2–2 lb (230 g–1.1 kg)	After each audible signal, rearrange pieces or remove should they become warm or thawed. Let stand for 10–20 minutes, covered.
4	Bone-in Poultry	1/2–3 lb (230 g–1.4 kg)	After each audible signal, rearrange pieces or remove should they become warm or thawed. Let stand for 10–20 minutes, covered.
5	Roast	2–4 lb (1.1–1.8 kg)	Start defrosting with fat side down. After each audible signal, turn over and shield warm areas with aluminum foil. Let stand for 30–60 minutes, covered.
6	Casserole, Soup	1–6 cups (240 ml–1.4 L)	After each audible signal, break apart and remove any defrosted part. At end, stir well and let stand for 5–10 minutes, covered.



Care Recommendations

CLEANING	
Stainless steel	Use a nonabrasive stainless steel cleaner and apply with a soft lint-free cloth. To bring out the natural luster, lightly wipe surface with a water-dampened microfiber cloth followed by a dry polishing chamois. Always follow the grain of stainless steel.
Drawer Front	Spray glass cleaner on a cloth to clean.
Drawer Guides	Remove the food crumbs from the drawer guides. Wipe with a soft dry cloth.
Control panel	Use spray degreaser to remove fingerprints and food soil. Spray on a cloth before wiping panel. IMPORTANT NOTE: Do not spray cleaners directly on the control panel. To lock the control panel before cleaning, refer to page 6.
Interior	Wipe with a soft damp cloth. Do not use abrasive or harsh cleaners or scouring pads. For heavier soil, use baking soda or a mild soap; rinse thoroughly with hot water. Do not use chemical oven cleaners.
Waveguide Cover	The waveguide cover, located on the inside top of the microwave interior. Carefully wipe with a soft damp cloth. Do not remove the waveguide cover.



Troubleshooting

Microwave oven does not operate.

- Verify power is on.
- Verify electrical power to unit and home circuit breaker is on.

Food in microwave oven is not heating.

- Check controls to verify proper setting.
- Microwave oven is in demonstration mode. Refer to page 7 to cancel.

Time on the display counts down very rapidly.

- Microwave oven is in demonstration mode. Refer to page 7 to cancel.

Interior light does not work.

- Light bulb is loose or burned out. Contact Wolf factory certified service.

Touch controls will not operate.

- Control panel lock is on. Refer to page 6 to unlock.

Display flashes.

- Power failure. Touch STOP/CLEAR and reset clock. If microwave oven was in use, reset cooking function.

Radio or TV interference caused by microwave oven.

- Verify microwave oven is on a different electrical circuit, relocate radio or TV as far away from microwave oven as possible or check position and signal of antenna.

SERVICE

- Maintain the quality built into your product by contacting Wolf factory certified service. For the name of the nearest Wolf factory certified service, check the contact & support section of our website, wolfappliance.com or call Wolf customer care at 800-222-7820.
- When contacting service, you will need the model and serial number of your product. Both numbers are listed on the product rating plate. Refer to page 6 for rating plate location.
- For warranty purposes, you will also need the date of installation and name of your authorized Wolf dealer. This information should be recorded on page 2 of this guide.



Wolf, Wolf & Design, Wolf Gourmet, W & Design and the color red as applied to knobs are registered trademarks and service marks of Wolf Appliance, Inc. Sub-Zero, Sub-Zero & Design, Dual Refrigeration, Constant Care, The Living Kitchen, Great American Kitchens The Fine Art of Kitchen Design, and Ingredients are registered trademarks and service marks of Sub-Zero, Inc. (collectively, the "Company Marks.") All other trademarks or registered trademarks are property of their respective owners in the United States and other countries.

Wolf Appliance Residential Limited Warranty

FOR RESIDENTIAL USE

FULL TWO YEAR WARRANTY*

For two years from the date of original installation, this Wolf Appliance product warranty covers all parts and labor to repair or replace, under normal residential use, any part of the product that proves to be defective in materials or workmanship. All service provided by Wolf Appliance under the above warranty must be performed by Wolf factory certified service, unless otherwise specified by Wolf Appliance, Inc. Service will be provided during normal business hours.

LIMITED FIVE YEAR WARRANTY

For five years from the date of original installation, Wolf Appliance will repair or replace the following parts that prove to be defective in materials or workmanship: gas burners (excludes appearance), electric heating elements, blower motors (ventilation hoods), electronic control boards, magnetron tubes and induction generators. If the owner uses Wolf factory certified service, the service provider will repair or replace these parts with the owner paying for all other costs, including labor. If the owner uses non-certified service, the owner must contact Wolf Appliance, Inc. (using the information below) to receive repaired or replacement parts. Wolf Appliance will not reimburse the owner for parts purchased from non-certified service or other sources.

TERMS APPLICABLE TO EACH WARRANTY

The warranty applies only to products installed for normal residential use. The warranty applies only to products installed in any one of the fifty states of the United States, the District of Columbia or the ten provinces of Canada. This warranty does not cover any parts or labor to correct any defect caused by negligence, accident or improper use, maintenance, installation, service or repair.

THE REMEDIES DESCRIBED ABOVE FOR EACH WARRANTY ARE THE ONLY ONES THAT WOLF APPLIANCE, INC. WILL PROVIDE, EITHER UNDER THIS WARRANTY OR UNDER ANY WARRANTY ARISING BY OPERATION OF LAW. WOLF APPLIANCE, INC. WILL NOT BE RESPONSIBLE FOR ANY CONSEQUENTIAL OR INCIDENTAL DAMAGES ARISING FROM THE BREACH OF THIS WARRANTY OR ANY OTHER WARRANTY, WHETHER EXPRESS, IMPLIED OR STATUTORY.

Some states do not allow the exclusion or limitation of incidental or consequential damages, so the above limitation or exclusion may not apply to you. This warranty gives you specific legal rights and you may also have other legal rights that vary from state to state.

To receive parts and/or service and the name of Wolf factory certified service nearest you, contact Wolf Appliance, Inc., P.O. Box 44848, Madison, WI 53744; check the contact & support section of our website, wolfappliance.com, email us at customerservice@subzero.com or call 800-222-7820.

*Stainless steel (doors, panels, handles, product frames and interior surfaces) are covered by a limited 60-day parts and labor warranty for cosmetic defects.

*Replacement filters for ventilation hood recirculating kits are not covered by the product warranty.



Contenido

- 4 Precauciones de seguridad
- 6 Características del horno de microondas de cajón
- 7 Funcionamiento del horno de microondas
- 13 Recomendaciones sobre el cuidado
- 14 Resolución de problemas
- 15 Garantía de Wolf

Atención al cliente

El modelo y número de serie están impresos en la tarjeta de registro del producto adjunta. Los dos números también aparecen en la placa de datos del producto. Consulte la página 6 para encontrar la placa de datos. Para fines de la garantía, usted también necesitará la fecha de instalación y el nombre de su distribuidor autorizado de Wolf. Anote esta información abajo para referencia futura.

Si su producto alguna vez necesita servicio asegúrese de usar un proveedor de servicios certificado por Wolf y recomendado por nuestro centro de atención al cliente, o seleccione uno de nuestra lista de proveedores disponibles en wolfappliance.com/locator. Todos los proveedores de servicio certificados de fábrica han sido cuidadosamente seleccionados y entrenados a fondo por nosotros.

INFORMACIÓN PARA SERVICIO

Número de modelo

Número de serie

Fecha de instalación

Nombre de servicio certificado

Número de servicio certificado

Distribuidor autorizado

Número de distribuidor

Aviso importante

Para garantizar que este producto sea instalado y operado de la forma más segura y eficiente posible, tome nota de los siguientes tipos de información resaltada en esta guía:

AVISO IMPORTANTE resalta la información que es especialmente importante.

PRECAUCIÓN indica una situación en la que se pueden sufrir heridas leves o provocar daños al producto si no se siguen las instrucciones.

ADVERTENCIA indica peligro de que se produzcan heridas graves o incluso la muerte si no se siguen las precauciones.

AVISO IMPORTANTE: en toda esta guía, las dimensiones entre paréntesis son milímetros, a menos que se especifique lo contrario.

Gracias

Muchas gracias por su compra. Esperamos poder ser parte de su hogar durante las décadas venideras. Como una empresa familiar de tercera generación, tenemos un interés muy personal en la preparación de los alimentos de su familia. Hemos construido nuestro negocio y nuestra reputación al ayudar a las familias a servir la comida de mejor calidad posible.

Con su compra, usted recibe una de las garantías más sólidas en la industria de los electrodomésticos. Lea la declaración de garantía completa en la página 15. También es importante que registre su electrodoméstico Wolf para asegurarse de no perder los beneficios de propietario exclusivo, como por ejemplo, la garantía de que va a recibir atención en el improbable caso de que necesite servicio durante el periodo de garantía, y un registro de prueba de compra en caso de una reclamación sobre el seguro de vivienda. Puede registrarse mediante una de las siguientes opciones:

- Envíe a Wolf la tarjeta de registro del producto llena.
- Regístrese en línea en wolfappliance.com/register y cree una cuenta personal en My Sub-Zero/Wolf con el número de serie de su producto.
- Regístrese por teléfono llamando a la línea de atención al cliente de Wolf al 800-222-7820.

Como propietario de un electrodoméstico Wolf, puede contar con soporte técnico constante, día tras día. Nuestro centro de atención al cliente está disponible 24 horas al día, los siete días a la semana, y compuesto por expertos conocedores del producto en nuestra fábrica en Madison, Wisconsin. En caso necesario, simplemente llame al 800-222-7820 y hable con uno de los expertos de nuestros productos. Ellos le ayudarán a solucionar cualquier problema que pueda tener.

Estamos seguros de que esta guía contestará sus preguntas acerca de las características, el funcionamiento y mantenimiento de su electrodoméstico Wolf, pero si usted tiene preguntas adicionales, póngase en contacto con nosotros en el 800-222-7820 o visítenos en línea en wolfappliance.com.



INSTRUCCIONES IMPORTANTES

PRECAUCIONES PARA EVITAR LA POSIBLE EXPOSICIÓN A LA ENERGÍA EXCESIVA DEL MICROONDAS

- No intente hacer funcionar este horno de microondas con la puerta abierta ya que operarlo de esta manera puede dar como resultado la exposición dañina a la energía de microondas. Es importante no invalidar ni alterar los dispositivos de seguridad.
- No coloque ningún objeto entre la parte frontal del horno de microondas y la puerta ni permita que la suciedad o los productos de limpieza se acumulen en las superficies de sellado.
- No opere el horno de microondas si está dañado. Es particularmente importante que la puerta del horno cierre correctamente y que no haya ningún daño en: (1) la puerta (doblada), (2) bisagras y pestillos (rotos o aflojados), (3) sellos de la puerta y superficies de sellado.
- El horno de microondas no debe ser ajustado ni reparado por persona alguna excepto por el personal de servicio debidamente calificado.

Al utilizar aparatos eléctricos se deben seguir precauciones básicas de seguridad, entre ellas las siguientes:

⚠ ADVERTENCIA

Para reducir el riesgo de quemaduras, descarga eléctrica, incendio, lesiones a personas o exposición excesiva a la energía del microondas, obedezca las precauciones siguientes:

- Lea las instrucciones en su totalidad antes de utilizar el electrodoméstico.
- Lea y siga las PRECAUCIONES ESPECÍFICAS PARA EVITAR LA POSIBLE EXPOSICIÓN EXCESIVA A LA ENERGÍA DEL MICROONDAS.
- Este electrodoméstico debe estar debidamente conectado a tierra. Consulte las INSTRUCCIONES PARA REALIZAR LA CONEXIÓN A TIERRA en la guía de instalación.
- Instale o coloque este electrodoméstico únicamente de acuerdo con las instrucciones de instalación.
- Algunos productos como los huevos enteros y envases sellados (por ejemplo, frascos de vidrio cerrados) pueden explotar y no deben calentarse en este horno.
- No opere este electrodoméstico si el cable o la clavija están dañados, si no funciona correctamente o si se ha dañado o se ha caído.

INSTRUCCIONES IMPORTANTES

- Utilice este electrodoméstico únicamente para su uso destinado tal y como se describe en esta guía. No utilice sustancias químicas corrosivas ni vapores en este aparato. Este tipo de horno está específicamente diseñado para calentar, cocinar o secar comida. No está diseñado para uso industrial ni de laboratorio.
- Este electrodoméstico debe recibir mantenimiento únicamente de personal calificado. Póngase en contacto con el centro de servicio autorizado más cercano para su revisión, reparación o ajuste.
- Como con cualquier otro electrodoméstico, se requiere de supervisión cercana al ser utilizado por menores de edad.
- No cubra ni bloquee las aberturas del aparato.
- No almacene este aparato al aire libre. No utilice este producto cerca del agua (por ejemplo, cerca del fregadero de la cocina, en un sótano húmedo o cerca de una piscina, o lugares similares).
- No sumerja el cable ni la clavija en agua.
- Mantenga el cable alejado de las fuentes de calor.
- No permita que el cable cuelgue sobre el borde de la mesa o el mostrador.
- Cuando limpie las superficies de sellado del electrodoméstico que se juntan al cerrar el cajón, utilice solamente jabones no abrasivos o detergentes suaves y aplíquelos con una esponja o paño suave. Consulte las recomendaciones sobre el cuidado en la página 13.
- Los líquidos, como agua, café o té pueden sobrecalentarse más allá del punto de ebullición sin que parezca que están hirviendo. No siempre se pueden ver burbujas o ebullición cuando se retira el recipiente del horno de microondas. Esto podría dar como resultado que los líquidos muy calientes se desborden al perturbar el recipiente o al insertar un utensilio de cocina en el líquido.

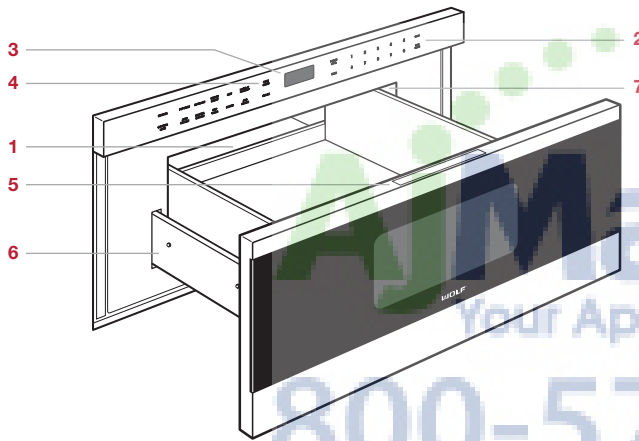
PARA REDUCIR EL RIESGO DE QUE EL HORNO SE INCENDIE

- No cocine demasiado los alimentos. Preste atención cuidadosa al electrodoméstico cuando coloque papel, plástico u otros materiales combustibles dentro del horno para facilitar la cocción.
- Retire las ataduras de alambre de las bolsas de papel o plástico antes de colocarlas en el horno.
- Si los materiales dentro del horno se incendian, mantenga cerrado el cajón del horno, apague el horno y desconecte el cable de alimentación eléctrica o apague la corriente en el panel de fusibles o de interruptores de circuito.
- No utilice la cavidad para propósitos de almacenamiento. No deje productos de papel, utensilios de cocina o comida en la cavidad cuando no se encuentre en uso.

GUARDE ESTAS INSTRUCCIONES

Características del horno de microondas de cajón

CARACTERÍSTICA	
1	Placa de datos del producto
2	Panel de control
3	Pantalla visual interactiva
4	Apertura del cajón con un solo toque
5	Etiqueta de menú
6	Deslizadores para cajón totalmente extensibles
7	Iluminación interna



Horno de microondas de cajón.

Primeros pasos

Sabemos que está ansioso por empezar a cocinar, pero antes de hacerlo, dedique un poco de tiempo a leer este manual de uso y cuidado. Si usted es un cocinero ocasional o un chef experto, se beneficiará de familiarizarse con las prácticas de seguridad, características, funcionamiento y recomendaciones de cuidado de su horno de microondas de cajón.

Limpie cuidadosamente el horno con agua caliente y detergente suave. Enjuague y seque con un paño suave para eliminar los residuos de aceite y grasa residual que dejó el proceso de fabricación. Consulte las recomendaciones sobre el cuidado en la página 13.

Panel de control

El panel de control cuenta con control digital y una pantalla visual interactiva. Consulte la siguiente ilustración.

BLOQUEO DE CONTROL

La función de bloqueo de control impide el funcionamiento no deseado del horno de microondas.

Para bloquear:

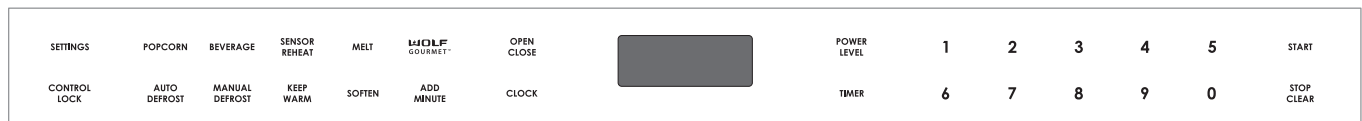
- 1 Presione CONTROL LOCK (BLOQUEO DE CONTROL), pulse START (INICIAR). Se visualiza "LOCK ON" (BLOQUEO ACTIVADO) en la pantalla del panel de control.

Para desbloquear:

- 1 Presione CONTROL LOCK (BLOQUEO DE CONTROL), pulse START (INICIAR). Se visualiza "LOCK OFF" (BLOQUEO DESACTIVADO) en la pantalla del panel de control.

ABRIR / CERRAR

Para abrir o cerrar el cajón, pulse OPEN/CLOSE (ABRIR/ CERRAR). No empuje ni jale el cajón con la mano, excepto en una emergencia.



Panel de control.

Funcionamiento del horno

RELOJ

Debe configurar el reloj antes de utilizar el horno y después de un corte de energía.

Para configurar el reloj:

- 1 Presione CLOCK (RELOJ).
- 2 Use las teclas numéricas para introducir la hora del día y, a continuación, pulse CLOCK (RELOJ).

TEMPORIZADOR

El temporizador se puede ajustar para un máximo de 99 minutos y 99 segundos. Una vez que se ajusta el tiempo, la cuenta regresiva aparece en la pantalla del panel de control. El horno dará un aviso sonoro y se visualizará "END" (FIN) en la pantalla cuando haya finalizado.

Para configurar el temporizador:

- 1 Pulse TIMER (TEMPORIZADOR).
- 2 Use las teclas numéricas para introducir la duración del tiempo.
- 3 Pulse TIMER (TEMPORIZADOR) para empezar.
- 4 Pulse STOP/CLEAR (DETENER/BORRAR) para cancelar.

Configuración

La función de configuración permite al usuario seleccionar preferencias individuales. Las preferencias deben restablecerse después de un corte de energía.

SEÑAL SONORA

Una señal sonora se escuchará con cada toque y cuando el tiempo de cocción y del temporizador hayan finalizado.

Para detener la señal:

- 1 Pulse SETTINGS (CONFIGURACIÓN) dos veces.
- 2 Pulse START (INICIAR). Se visualiza "SOUND OFF" (SONIDO DESACTIVADO) en la pantalla del panel de control.

Para restablecer la señal:

- 1 Pulse SETTINGS (CONFIGURACIÓN) dos veces.
- 2 Pulse START (INICIAR). Se visualiza "SOUND ON" (SONIDO ACTIVADO) en la pantalla del panel de control.

RECORDATORIO DE FINALIZACIÓN DEL TIEMPO DE COCCIÓN

Una vez terminado, el horno de microondas sonará cada diez segundos durante el primer minuto, luego cada tres minutos (durante una hora) hasta que pulse STOP/CLEAR (DETENER/BORRAR).

Para detener el recordatorio:

- 1 Pulse SETTINGS (CONFIGURACIÓN) tres veces.
- 2 Pulse START (INICIAR). Se visualiza "REMIND SIGNAL OFF" (SEÑAL DE RECORDATORIO DESACTIVADA) en la pantalla del panel de control.

Para restablecer el recordatorio:

- 1 Pulse SETTINGS (CONFIGURACIÓN) tres veces.
- 2 Pulse START (INICIAR). Se visualiza "REMIND SIGNAL ON" (SEÑAL DE RECORDATORIO ACTIVADA) en la pantalla del panel de control.

MODO DE DEMOSTRACIÓN

El modo de demostración permite demostrar su operación sin que el horno de microondas esté conectado a la corriente eléctrica.

Para entrar al modo de demostración:

- 1 Pulse SETTINGS (CONFIGURACIÓN) cinco veces.
- 2 Pulse START (INICIAR). Se visualiza "DEMO ON" (DEMOSTRACIÓN ACTIVADA) en la pantalla del panel de control.

Para salir del modo de demostración:

- 1 Pulse SETTINGS (CONFIGURACIÓN) cinco veces.
- 2 Pulse START (INICIAR). Se visualiza "DEMO OFF" (DEMOSTRACIÓN DESACTIVADA) en la pantalla del panel de control.

Cocción manual

NIVEL DE POTENCIA

El horno de microondas tiene diez niveles de potencia preestablecidos.

Para cocinar manualmente con la potencia al 100%:

- 1 Use las teclas numéricas para introducir el tiempo de cocción deseado.
- 2 Pulse START (INICIAR).
- 3 El horno dará un aviso sonoro y se visualizará "END" (FIN) en la pantalla del panel de control cuando haya finalizado.

Para cocinar manualmente a un nivel de potencia menor del 100%, pulse POWER LEVEL (NIVEL DE POTENCIA) y, a continuación, utilice las teclas numéricas para seleccionar el nivel de potencia deseado. Consulte la tabla siguiente.

NIVEL DE POTENCIA		
NIVEL DE POTENCIA	Alta	100%
NIVEL DE POTENCIA, 9		90%
NIVEL DE POTENCIA, 8		80%
NIVEL DE POTENCIA, 7	Media alta	70%
NIVEL DE POTENCIA, 6		60%
NIVEL DE POTENCIA, 5	Media	50%
NIVEL DE POTENCIA, 4		40%
NIVEL DE POTENCIA, 3	Media baja/Descongelar	30%
NIVEL DE POTENCIA, 2		20%
NIVEL DE POTENCIA, 1	Baja	10%

MÚLTIPLES SECUENCIAS DE COCCIÓN

El horno de microondas puede programarse hasta con cuatro secuencias automáticas de cocción y pasar de un nivel de potencia a otro automáticamente.

Para utilizar las múltiples secuencias de cocción (por ejemplo, empezar con 100%, luego cambiar a 50% de potencia):

- 1 Pulse POWER LEVEL (NIVEL DE POTENCIA) dos veces, luego use las teclas numéricas para introducir el tiempo de cocción deseado.
- 2 Pulse POWER LEVEL (NIVEL DE POTENCIA), a continuación pulse 5, luego use las teclas numéricas para introducir un segundo tiempo de cocción.
- 3 Pulse START (INICIAR).

INICIO AUTOMÁTICO

El horno de microondas puede ser programado para empezar a cocinar automáticamente a una hora específica del día. El reloj debe estar configurado con la hora correcta para que el inicio automático funcione correctamente.

Para usar el inicio automático:

- 1 Pulse SETTINGS (CONFIGURACIÓN) cuatro veces.
- 2 Pulse START (INICIAR).
- 3 Use las teclas numéricas para introducir la hora de inicio.
- 4 Presione CLOCK (RELOJ).
- 5 Use las teclas numéricas para introducir el tiempo de cocción. Si es necesario ajuste el nivel de potencia.
- 6 Pulse START (INICIAR).

Cocción manual

MINUTO ADICIONAL

La función minuto adicional cocina un minuto al 100% al pulsar ADD MINUTE (MINUTO ADICIONAL). Pulse varias veces para aumentar el tiempo de cocción. Cada pulsación aumenta un minuto de tiempo. Esta función no se puede utilizar con la configuración de cocción con sensor.

MANTENER CALIENTE

La función mantener caliente mantendrá los alimentos calientes hasta por 90 minutos.

Para usar la función mantener caliente:

- 1 Pulse KEEP WARM (MANTENER CALIENTE).
- 2 Use las teclas numéricas para ingresar el tiempo que se desea mantener los alimentos calientes.
- 3 Pulse START (INICIAR).
- 4 Pulse STOP/CLEAR (DETENER/BORRAR) para cancelar.

PALOMITAS DE MAÍZ

La función palomitas de maíz tiene dos opciones. Siga las instrucciones en la pantalla del panel de control para seleccionar la opción deseada. Utilice solamente maíz en empaque para hornos de microondas.

Para usar la función palomitas de maíz:

- 1 Pulse POPCORN (PALOMITAS DE MAÍZ) una vez para un paquete de tamaño regular o dos veces para paquetes tamaño botana.
- 2 Pulse START (INICIAR).

DERRETIR

La función derretir derretirá la mantequilla o el chocolate.

Para usar la función derretir:

- 1 Pulse MELT (DERRETIR).
- 2 **Para mantequilla:** pulse 1 una vez para 2 cucharadas o dos veces para $\frac{1}{2}$ taza.
Para chocolate: pulse 2 una vez para 1 taza o dos veces para un cuadro.
- 3 Pulse START (INICIAR).

ABLANDAR

La función ablandar ablandará el helado o el queso crema.

Para usar la función ablandar:

- 1 Pulse SOFTEN (ABLANDAR).
- 2 **Para helado:** pulse 1 una vez para 1 cuarto de litro o dos veces para $\frac{1}{2}$ galón.
Para queso crema: pulse 2 una vez para 3 onzas o dos veces para 8 onzas.
- 3 Pulse START (INICIAR).

BEBIDA

La función bebida recalentará una bebida o preparará agua caliente para café o té.

Para usar la función bebida:

- 1 Pulse BEVERAGE (BEBIDA).
- 2 **Para recalentar una bebida:** pulse 1 varias veces para seleccionar la cantidad en incrementos de $\frac{1}{2}$ taza, hasta 2 tazas.
Para agua caliente: pulse 2 varias veces para seleccionar la cantidad en incrementos de 1 taza, hasta 6 tazas.
- 3 Pulse START (INICIAR).

Cocción con sensor

WOLF GOURMET

La función Wolf gourmet detecta la humedad de los alimentos a medida que calienta y ajusta automáticamente el tiempo de cocción y el nivel de potencia. Cuenta con dos opciones para vegetales frescos y aves. Siga las instrucciones en la pantalla del panel de control para seleccionar la opción deseada. Consulte el manual de Wolf gourmet en la página 11.

Para seleccionar Wolf gourmet:

- 1 Pulse WOLF GOURMET, luego use las teclas numéricas para seleccionar los alimentos deseados (por ejemplo, 5 para papas horneadas).
- 2 Pulse START (INICIAR).

RECALENTADO CON SENSOR

La función de recalentado con sensor detecta la humedad de los alimentos a medida que los recalienta y ajusta automáticamente el tiempo de cocción y el nivel de potencia.

Para seleccionar el recalentado con sensor:

- 1 Pulse SENSOR REHEAT (RECALENTADO CON SENSOR).
- 2 Pulse START (INICIAR).

AJUSTE DE TIEMPO

La función de ajuste de tiempo aumenta o disminuye el tiempo de cocción para la configuración de cocción con sensor.

Para ajustar el tiempo:

- 1 Pulse POWER LEVEL (NIVEL DE POTENCIA) para "MÁS" o dos veces para "MENOS" tiempo.

Descongelar

DESCONGELACIÓN AUTOMÁTICA

La función de descongelación automática utiliza la configuración preestablecida para descongelar los alimentos seleccionados. Consulte la guía de descongelación automática que se encuentra en la página 12. Para los alimentos que no se encuentran en la lista, consulte el manual de descongelación.

Para seleccionar la descongelación automática:

- 1 Pulse AUTO DEFROST (DESCONGELACIÓN AUTOMÁTICA), luego utilice las teclas numéricas para seleccionar los alimentos deseados (por ejemplo, 3 para aves sin huesos).
- 2 Use las teclas numéricas para introducir el peso.
- 3 Pulse START (INICIAR). Después de un periodo de tiempo, el horno de microondas se detendrá para que usted pueda revisar los alimentos.
- 4 Abra el cajón y voltee los alimentos.
- 5 Repita hasta que se haya descongelado completamente.

DESCONGELACIÓN MANUAL

La función de descongelación manual descongela automáticamente a una potencia del 30%. Los alimentos deben voltearse durante todo el proceso para asegurar una descongelación uniforme. Para descongelar a otro nivel de potencia, consulte el nivel de potencia en la página 8.

Para descongelar de forma manual:

- 1 Pulse "manual defrost" (descongelación manual).
- 2 Use las teclas numéricas para introducir el tiempo deseado.
- 3 Pulse START (INICIAR).

Manual de Wolf Gourmet

NÚMERO	ALIMENTOS	CANTIDAD	MÉTODO
1	Vegetales frescos: rápido Brócoli, coles de Bruselas y Col Coliflor (florecillas) Coliflor (entera) Espinacas y calabacines Manzanas horneadas	1/4 a 2 lb (115 g a .9 kg) 1/4 a 2 lb (115 g a .9 kg) 1 medio 1/4 a 2 lb (115 g a .9 kg) 2 a 4 mediana	Lave y coloque en una cacerola para microondas. No agregue agua si los vegetales están recién lavados. Cubra los vegetales tiernos con una tapa. Utilice una envoltura de plástico para obtener vegetales tiernos y crujientes. Revuelva después de la cocción, si es posible. Déjelos reposar de 2 a 5 minutos, cubiertos.
2	Vegetales frescos: más largo Zanahorias (rebanadas) Maíz en mazorca Ejotes Zapallo (en cubitos) Zapallo (mitades)	1/4 a 1 1/2 lb (115 g a .7 kg) 2 a 4 piezas 1/4 a 1 1/2 lb (115 g a .7 kg) 1/4 a 1 1/2 lb (115 g a .7 kg) 1 a 2	Coloque en una cacerola para microondas. Agregue de 1 a 4 cucharadas (15 a 60 ml) de agua. Cubra los vegetales tiernos con una tapa. Utilice una cubierta de plástico para obtener vegetales tiernos y crujientes. Revuelva después de la cocción, si es posible. Déjelos reposar de 2 a 5 minutos, cubiertos.
3	Vegetales congelados	1/4 a 1 1/4 lb (115 g a .6 kg)	No agregue agua. Cubra con una tapa o envoltura de plástico. Después de la cocción, revuelva y déjelos reposar por 3 minutos, cubiertos.
4	Entradas congeladas	6 a 17 oz (170 a 480 g)	Utilice para alimentos preparados congelados. Retire la envoltura externa y siga las instrucciones del paquete para cubrir. Después de la cocción, deje reposar de 1 a 3 minutos, cubiertos.
5	Papas horneadas	1 a 6 medianas	Agujere. Coloque dentro del horno de microondas de cajón revestidas con servilleta de papel. Después de la cocción, retire del microondas, envuelva en papel aluminio y deje reposar de 5 a 10 minutos.
6	Camotes/batatas	1 a 6 medianas	Agujere. Coloque dentro del horno de microondas de cajón revestidas con servilleta de papel. Después de la cocción, retire del microondas, envuelva en papel aluminio y deje reposar de 5 a 10 minutos.
7	Carne molida	1/4 a 2 lb (115 g a .9 kg)	Utilice este programa para cocinar carne molida de res o de pavo como empanadas o en un guisado para agregar a otros ingredientes. Coloque las empanadas en un estante para microondas y cubra con papel encerado. Coloque la carne molida en una cacerola y cubra con papel encerado o una envoltura de plástico. Cuando el microondas se detenga, voltee las empanadas o revuelva la carne en la cacerola para dividir las piezas grandes. Cubra y pulse START (INICIAR). Después de la cocción, deje reposar de 2 a 3 minutos, cubierto.
8	Pescado, mariscos	1/4 a 2 lb (115 g a .9 kg)	Colóquelos en círculo alrededor de un plato de cristal para microondas poco profundo (enrolle el filete con los bordes hacia abajo). Cubra con una tapa o una envoltura de plástico perforada. Después de la cocción, deje reposar durante 3 minutos, cubierto.
9	Arroz blanco	1/2 a 2 tazas (95 a 380 g)	Coloque el arroz en una cacerola profunda y agregue el doble de la cantidad de agua (por ejemplo, 1 taza de arroz y 2 tazas de agua). Cubra con una tapa o envoltura de plástico. Después de la cocción, revuelva, cubra y deje reposar de 3 a 5 minutos o hasta que el arroz haya absorbido todo el líquido.
10	Arroz integral	1/2 a 2 tazas (95 a 380 g)	Coloque el arroz en una cacerola profunda y agregue el doble de la cantidad de agua (por ejemplo, 1 taza de arroz y 2 tazas de agua). Cubra con una tapa o envoltura de plástico. Después de la cocción, revuelva, cubra y deje reposar de 3 a 5 minutos o hasta que el arroz haya absorbido todo el líquido.

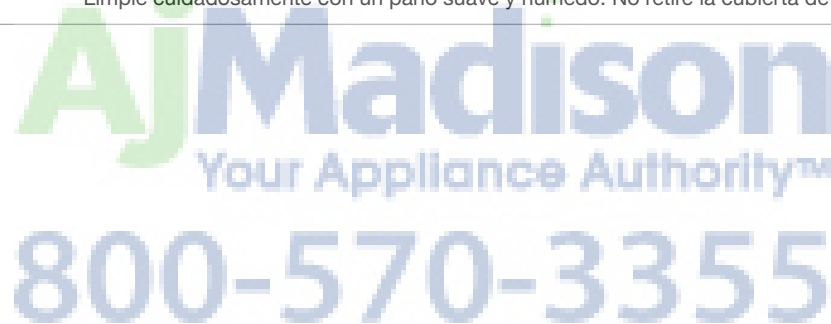
Guía de descongelación automática

NÚMERO	ALIMENTOS	CANTIDAD	MÉTODO
1	Carne molida	1/2 a 2 lb (230 g a 1.1 kg)	Retire cualquier pieza descongelada después de cada señal sonora. Deje reposar de 5 a 10 minutos, cubiertas.
2	Filetes, chuletas	1/2 a 3 lb (230 g a 1.4 kg)	Vuelva a acomodarlos después de cada señal sonora. Si hay porciones tibias o descongeladas, cúbralas con pedazos pequeños de papel de aluminio. Retire la carne que esté casi descongelada. Deje reposar de 10 a 20 minutos, cubierta.
3	Aves sin huesos	1/2 a 2 lb (230 g a 1.1 kg)	Después de cada señal sonora, reacomode las piezas o retírelas si están calientes o descongeladas. Deje reposar de 10 a 20 minutos, cubiertas.
4	Aves con huesos	1/2 a 3 lb (230 g a 1.4 kg)	Después de cada señal sonora, reacomode las piezas o retírelas si están calientes o descongeladas. Deje reposar de 10 a 20 minutos, cubiertas.
5	Asado	2 a 4 lb (1.1 a 1.8 g)	Empiece a descongelar con el lado de la grasa hacia abajo. Después de cada señal sonora, voltee del otro lado y cubra las áreas calientes con papel de aluminio. Deje reposar de 30 a 60 minutos, cubierto.
6	Guisado, sopa	1 a 6 tazas (240 ml a 1.4 L)	Después de cada señal sonora, separe y retire cualquier pieza descongelada. Al final, revuelva bien y deje reposar de 5 a 10 minutos, cubierta.



Recomendaciones sobre el cuidado

LIMPIEZA	
Acero inoxidable	Use un limpiador no abrasivo para acero inoxidable y aplique con un paño suave sin pelusa. Para resaltar el lustre natural, limpie suavemente la superficie con una tela de microfibra humedecida con agua, seguida con una gamuza para pulir en seco. Siempre siga la dirección del acabado del acero inoxidable.
Frente del cajón	Rocíe líquido limpiador de cristales en un paño para limpiar.
Guías del cajón	Retire las migajas de comida de las guías del cajón. Limpie con un paño suave y seco.
Panel de control	Utilice desengrasante en aerosol para retirar las marcas de los dedos y los residuos de alimentos. Rocíe el producto en un paño antes de limpiar el panel. AVISO IMPORTANTE: no aplique los limpiadores directamente sobre el panel de control. Para bloquear el panel de control antes de limpiarlo, consulte la página 6.
Interior	Limpie con un paño suave y húmedo. No utilice limpiadores abrasivos o agresivos ni estropajos. Para residuos más difíciles, utilice bicarbonato de sodio o un detergente suave, enjuague bien con agua caliente. No utilice limpiadores químicos para hornos.
Cubierta de guía de onda	La cubierta de guía de onda que se encuentra dentro de la parte superior al interior del microondas. Limpie cuidadosamente con un paño suave y húmedo. No retire la cubierta de guía de onda.



Resolución de problemas

El horno de microondas no funciona.

- Compruebe si la unidad está encendida.
- Compruebe que la alimentación eléctrica a la unidad y el interruptor de circuito de la casa estén encendidos.

El horno de microondas no calienta los alimentos.

- Compruebe que los controles tienen la configuración correcta.
- El horno de microondas está en modo de demostración. Consulte la página 7 para cancelar.

La cuenta regresiva en pantalla va demasiado rápido.

- El horno de microondas está en modo de demostración. Consulte la página 7 para cancelar.

La luz interna no funciona.

- El foco está suelto o fundido. Póngase en contacto con el servicio certificado de fábrica de Wolf.

Los controles digitales no funcionan.

- El bloqueo del panel de control está activado. Consulte la página 6 para desbloquear.

La pantalla parpadea.

- Falla eléctrica. Pulse STOP/CLEAR (DETENER/BORRAR) y reajuste el reloj. Si el horno de microondas estaba en uso, restablezca la función de cocción.

El horno de microondas causa interferencia con la radio o la televisión.

- Verifique si el horno de microondas está en un circuito eléctrico diferente, reubique la radio o la televisión lo más lejos posible del horno de microondas o compruebe la posición y señal de la antena.

SERVICIO

- Para mantener la calidad incorporada en su producto, póngase en contacto con el servicio certificado de fábrica de Wolf. Para obtener los datos del centro de servicio autorizado de Wolf más cercano, eche un vistazo a la sección de contacto y servicio técnico en nuestro sitio web, wolfappliance.com o llame a la línea de atención al cliente de Wolf al 800-222-7820.
- Al comunicarse con el servicio, necesitará el modelo y número de serie de su producto. Los dos números también aparecen en la placa de datos del producto. Consulte la página 6 para encontrar la placa de datos.
- Para fines de la garantía, usted también necesitará la fecha de instalación y el nombre de su distribuidor autorizado de Wolf. Esta información debe estar registrada en la página 2 de este manual.



Garantía limitada residencial de Wolf Appliance

PARA USO RESIDENCIAL

GARANTÍA COMPLETA DE DOS AÑOS*

Durante dos años a partir de la fecha de la instalación original, la garantía de su producto Wolf Appliance cubre todas las partes y mano de obra para reparar o reemplazar, bajo el uso residencial normal, cualquier parte del producto que se compruebe estar defectuosa en material o mano de obra. Todos los servicios proporcionados por Wolf Appliance bajo la garantía anterior deben ser ejecutados por servicios certificados de fábrica de Wolf, a menos que Wolf Appliance, Inc. lo especifique de otra manera. El Servicio será proporcionado durante el horario comercial normal.

GARANTÍA LIMITADA DE CINCO AÑOS

Por cinco años a partir de la fecha de la instalación original, Wolf Appliance reparará o reemplazará los siguientes componentes que se comprueben estar defectuosos en material o mano de obra: quemadores de gas (excluyendo la apariencia), elementos eléctricos de calentamiento, motores de sopladores (campanas de ventilación), módulos de control eléctrico, tubos magnetrón y generadores de inducción. Si el propietario utiliza el servicio certificado de fábrica de Wolf, el prestador del servicio reparará o reemplazará estas partes mediante el pago de todos los otros costos, incluyendo mano de obra, a cargo del propietario. Si el propietario utiliza un servicio no certificado, debe ponerse en contacto con Wolf Appliance, Inc. (utilizando la información anotada más adelante) para recibir los componentes reparados o de reemplazo. Wolf Appliance no reembolsará al propietario los importes correspondientes a componentes comprados a un servicio no certificado o a otras fuentes.

TÉRMINOS APLICABLES A CADA GARANTÍA

La garantía se aplica solamente a los productos instalados para uso residencial normal. La garantía se aplica solamente a los productos instalados en cualquiera de los cincuenta estados de los Estados Unidos, el Distrito de Columbia o las diez provincias de Canadá. Esta garantía no cubre las partes o mano de obra para corregir cualquier defecto causado por negligencia, accidente o uso, mantenimiento, instalación, servicio o reparación inadecuados.

LOS RECURSOS DESCRITOS ANTERIORMENTE PARA CADA GARANTÍA SON LOS ÚNICOS QUE WOLF APPLIANCE, INC. PROPORCIONARÁ, YA SEA BAJO ESTA GARANTÍA O BAJO CUALQUIER GARANTÍA QUE RESULTEN DE LA APLICACIÓN DE LA LEY. WOLF APPLIANCE, INC. NO SE HACE RESPONSABLE POR LOS DAÑOS INDIRECTOS O INCIDENTALES DERIVADOS DE LA VIOLACIÓN DE ESTA GARANTÍA O CUALQUIER OTRA GARANTÍA, YA SEA EXPRESA, IMPLÍCITA O LEGAL.

Algunos estados no permiten la exclusión o limitación de daños incidentales o consecuentes, por lo tanto la limitación o exclusión anterior podrían no aplicarse en su caso. Esta garantía le otorga derechos legales específicos, y usted también puede tener otros derechos legales que varían entre estados.

Para recibir las partes o el servicio y el nombre del servicio certificado de fábrica de Wolf más cercano a usted, póngase en contacto con Wolf Appliance, Inc., P.O. Box 44848, Madison, WI 53744; eche un vistazo a la sección de contacto y servicio técnico en nuestro sitio web, wolfappliance.com, envíenos un correo electrónico a customerservice@subzero.com o llame al 800-222-7820.

*Las puertas, paneles, manijas, estructuras de acero inoxidable y superficies internas están cubiertas por una garantía limitada de 60 días sobre piezas y mano de obra, por defectos cosméticos.

*Los filtros de repuesto para los kits de circulación de la campana de ventilación no están cubiertos por la garantía del producto.



Table des matières

- 4 Précautions de sécurité
- 6 Caractéristiques du four à micro-ondes à tiroir
- 7 Fonctionnement du four à micro-ondes
- 13 Conseils d'entretien
- 14 Dépannage
- 15 Garantie Wolf

Service à la clientèle

Le numéro de modèle et le numéro de série sont imprimés sur la fiche d'enregistrement du produit ci-jointe. Les deux numéros sont aussi indiqués sur la plaque signalétique du produit. Reportez-vous à la page 6 pour connaître l'emplacement de la plaque signalétique. Pour les besoins de la garantie, vous devrez aussi avoir la date d'installation et le nom de votre dépositaire Wolf autorisé. Inscrivez ces renseignements ci-dessous pour consultation ultérieure.

Si votre produit a besoin d'être réparé, assurez-vous d'utiliser un fournisseur de service certifié par l'usine Wolf recommandé par notre centre de service à la clientèle, ou sélectionnez-en un parmi la liste de fournisseurs disponibles à wolfappliance.com/locator. Tous les fournisseurs de service certifiés par l'usine sont soigneusement sélectionnés et rigoureusement formés par nous.

RENSEIGNEMENTS SUR LE SERVICE

Numéro de modèle

Numéro de série

Date de l'installation

Nom du service certifié

Numéro du service certifié

Dépositaire autorisé

Numéro du dépositaire

Remarque importante

Pour s'assurer que ce produit est installé et utilisé en toute sécurité et aussi efficacement que possible, prenez note des types de renseignement mis en évidence tout au long de ce guide :

REMARQUE IMPORTANTE met en évidence des renseignements qui sont particulièrement importants.

MISE EN GARDE indique une situation où une blessure mineure ou des dommages au produit peuvent se produire si les directives ne sont pas respectées.

AVERTISSEMENT décrit un danger qui peut causer une blessure grave ou la mort si les précautions ne sont pas respectées.

REMARQUE IMPORTANTE : tout au long de ce guide, les dimensions entre parenthèses sont en millimètres à moins d'indication contraire.

Merci

Merci de votre achat. Nous nous réjouissons à l'idée de faire partie de votre résidence pendant des décennies à venir. À titre d'entreprise familiale de troisième génération, nous avons un intérêt personnel dans la préparation des aliments de votre famille. Nous avons bâti notre entreprise et notre réputation en aidant les familles à servir les meilleurs aliments qui soient.

Grâce à votre achat, vous obtiendrez l'une des garanties les plus robustes de l'industrie des appareils électroménagers. Prenez un moment pour lire la déclaration de garantie complète à la page 15. Il est aussi important d'enregistrer votre appareil Wolf pour vous assurer de ne pas manquer les avantages exclusifs offerts aux propriétaires, comme l'assurance que vous serez pris en charge dans le cas peu probable où un service serait nécessaire durant la période de garantie et d'avoir une preuve d'achat en cas de réclamation d'assurance habitation. Vous pouvez effectuer l'enregistrement de l'une des façons suivantes :

- En postant la fiche d'enregistrement du produit Wolf dûment remplie.
- En enregistrant votre appareil en ligne à wolfappliance.com/register et en créant un compte personnalisé My Sub-Zero/Wolf avec le numéro de série de votre produit.
- Par téléphone en appelant le service à la clientèle de Wolf au 800-222-7820.

À titre de propriétaire Wolf, vous pouvez compter sur un soutien continu, jour après jour. Notre centre de service à la clientèle est offert 24 heures par jour, sept jours par semaine et composé d'employés experts en produit bien informés dans notre usine de Madison au Wisconsin. En cas de besoin, composez simplement le 800-222-7820 et parlez avec un de nos experts en produit. Ils vous aideront à résoudre tout problème que vous pourriez avoir.

Nous sommes confiants que ce guide répondra à vos questions au sujet des caractéristiques, du fonctionnement et de l'entretien de votre Wolf, mais si vous avez des questions supplémentaires, communiquez avec nous au 800-222-7820 ou visitez-nous en ligne à wolfappliance.com.



DIRECTIVES IMPORTANTES

PRÉCAUTIONS POUR ÉVITER UNE EXPOSITION POSSIBLE À UNE ÉNERGIE MICRO-ONDE EXCESSIVE

- Ne tentez pas de faire fonctionner ce four à micro-ondes avec la porte ouverte puisqu'un fonctionnement à porte ouverte peut entraîner une exposition nocive à l'énergie micro-onde. Il est important de ne pas déjouer ou modifier les verrouillages de sécurité.
- Ne placez pas des objets entre la face avant du four à micro-ondes et la porte et ne laissez pas de la saleté ou des résidus de nettoyants s'accumuler sur les surfaces d'étanchéité.
- Ne faites pas fonctionner le four à micro-ondes s'il est endommagé. Il est particulièrement important que la porte du four se ferme correctement et qu'il n'y ait pas de dommages : (1) à la porte (courbée), (2) aux charnières et loquets (brisés ou lâches), (3) aux joints de portes et aux surfaces d'étanchéité.
- Le four à micro-ondes ne doit pas être réglé ou réparé par quiconque à l'exception de techniciens de service adéquatement qualifiés.

Pendant l'utilisation d'appareils électriques, des précautions de sécurité de base doivent être respectées, y compris les suivantes :

▲ AVERTISSEMENT

Pour réduire le risque de brûlures, d'électrocution, d'incendie, de blessures ou d'exposition excessive à l'énergie micro-onde, respectez les consignes suivantes :

- Lisez toutes les directives avant d'utiliser l'appareil.
- Lisez et respectez les PRÉCAUTIONS POUR ÉVITER UNE EXPOSITION POSSIBLE À UNE ÉNERGIE MICRO-ONDE EXCESSIVE précises.
- Cet appareil doit être mis à la terre de la façon appropriée. Reportez-vous aux DIRECTIVES DE MISE À LA TERRE dans le guide d'installation.
- Installez ou placez cet appareil seulement de façon conforme aux directives d'installation fournies.
- Certains produits, comme les œufs entiers et les contenants hermétiques (les pots en verre fermés par exemple), peuvent exploser et ne doivent pas être chauffés dans ce four.
- Ne faites pas fonctionner cet appareil si son cordon ou sa fiche sont endommagés, s'il ne fonctionne pas correctement ou s'il a été endommagé ou échappé.

DIRECTIVES IMPORTANTES

- Utilisez cet appareil seulement pour son usage prévu comme il est décrit dans ce guide. N'utilisez pas de vapeurs ou de produits chimiques corrosifs dans cet appareil. Ce type de four est spécialement conçu pour chauffer, cuire ou sécher les aliments. Il n'est pas conçu pour un usage industriel ou en laboratoire.
- Cet appareil ne doit être réparé que par des techniciens de service qualifiés. Communiquez avec le centre de service autorisé le plus proche pour tout examen, réparation ou ajustement.
- Comme avec tous les appareils, une supervision étroite est requise lors de l'utilisation par des enfants.
- Ne couvrez pas et ne bloquez pas les ouvertures de l'appareil.
- Ne rangez pas cet appareil à l'extérieur. N'utilisez pas ce produit près de l'eau (près d'un évier de cuisine, dans un sous-sol humide ou près d'une piscine ou d'endroits similaires, par exemple).
- N'immergez pas le cordon ou la fiche dans l'eau.
- Gardez le cordon loin de toute surface chaude.
- Ne laissez pas le cordon pendre sur le rebord d'une table ou d'un comptoir.
- Lorsque vous nettoyez les surfaces d'étanchéité de l'appareil qui se joignent à la fermeture du tiroir, utilisez seulement des savons ou des détergents doux, non abrasifs appliqués avec une éponge ou un chiffon doux. Reportez-vous aux recommandations d'entretien à la page 13.
- Les liquides, comme l'eau, le café ou le thé, peuvent être surchauffés au-delà du point d'ébullition sans sembler bouillir. Des bulles ou de l'ébullition visibles lorsque le contenant est retiré du four à micro-ondes ne sont pas toujours présentes. Cela pourrait donner des liquides très chauds qui débordent soudainement lorsque le contenant est déplacé ou lorsqu'un ustensile est inséré dans le liquide.

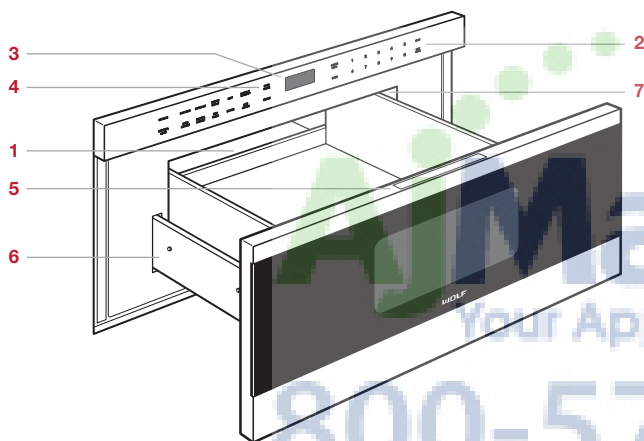
POUR RÉDUIRE LE RISQUE DE FEU DANS LE FOUR

- Ne faites pas trop cuire les aliments. Surveillez attentivement l'appareil lorsque du papier, du plastique ou d'autres matériaux combustibles sont placés à l'intérieur du four pour faciliter la cuisson.
- Retirez les liens torsadés métalliques des sacs en papier ou en plastique avant de mettre le sac dans le four.
- Si les matériaux à l'intérieur du four s'enflamment, gardez le tiroir du four fermé, éteignez le four et débranchez le cordon d'alimentation ou coupez le courant au niveau du fusible ou du disjoncteur.
- N'utilisez pas la cavité comme espace de rangement. Ne laissez pas des produits en papiers, des ustensiles de cuisson ou des aliments dans la cavité lorsque le four n'est pas utilisé.

CONSERVEZ CES DIRECTIVES

Caractéristiques du four à micro-ondes à tiroir

CARACTÉRISTIQUE	
1	Plaque signalétique du produit
2	Panneau de commande
3	Affichage visuel interactif
4	Ouverture du tiroir à une touche
5	Étiquette de menu
6	Glissières du tiroir à extension complète
7	Éclairage intérieur



Four à micro-ondes à tiroir.

Comment commencer

Nous savons que vous êtes impatient de commencer à cuisiner, mais avant de le faire, veuillez prendre quelques instants pour lire ce guide d'utilisation et d'entretien. Que vous soyez un cuisinier occasionnel ou un chef expert, il vous sera bénéfique de vous familiariser avec les pratiques de sécurité, les fonctions, le fonctionnement et les recommandations d'entretien de votre four à micro-ondes à tiroir.

Nettoyez le four à fond avec de l'eau chaude et un détergent doux. Rincez et séchez avec un chiffon doux pour éliminer tous les résidus d'huile et de graisse laissés par le processus de fabrication. Reportez-vous aux recommandations d'entretien à la page 13.

Panneau de commande

Le panneau de commande comprend des commandes tactiles et un affichage visuel interactif. Reportez-vous à l'illustration ci-dessous.

CONTROL LOCK (VERROUILLAGE DES COMMANDES)

La fonction de verrouillage des commandes empêche le fonctionnement non désiré du four à micro-ondes.

Pour verrouiller :

- 1 Touchez à CONTROL LOCK, puis touchez à START. Les mots « LOCK ON » apparaîtront sur l'écran du panneau de commande.

Pour déverrouiller :

- 1 Touchez à CONTROL LOCK, puis touchez à START. Les mots « LOCK OFF » apparaîtront sur l'écran du panneau de commande.

OPEN/CLOSE (OUVRIR/FERMER)

Pour ouvrir ou fermer le tiroir, touchez à OPEN/CLOSE. Ne poussez pas et ne tirez pas le tiroir manuellement, sauf en cas d'urgence.



Panneau de commande.

Fonctionnement du four

CLOCK (HORLOGE)

L'horloge doit être réglée avant l'utilisation et après une panne de courant.

Réglage de l'horloge :

- 1 Touchez à CLOCK.
- 2 Utilisez le clavier numérique pour entrer l'heure, puis touchez à CLOCK.

TIMER (MINUTERIE)

La minuterie peut être réglée pour une période maximale de 99 minutes et 99 secondes. Une fois la durée réglée, le décompte apparaît sur l'écran du panneau de commande. Le four retentira et le mot « END » apparaîtra sur l'écran lorsque la période est terminée.

Réglage de la minuterie :

- 1 Touchez à TIMER.
- 2 Utilisez le clavier numérique pour entrer la durée de la minuterie.
- 3 Touchez à TIMER pour commencer.
- 4 Touchez à STOP/CLEAR pour annuler.

Settings (réglages)

La fonction des réglages permet à l'utilisateur de sélectionner des préférences individuelles. Les préférences doivent être réinitialisées après une panne de courant.

SIGNAL AUDIBLE

Un signal audible retentit lorsque chaque touche est enfoncée et lorsque la cuisson et la minuterie sont terminées.

Pour éliminer le signal :

- 1 Touchez à SETTINGS deux fois.
- 2 Touchez à START. Les mots « SOUND OFF » apparaîtront sur l'écran du panneau de commande.

Pour rétablir le signal :

- 1 Touchez à SETTINGS deux fois.
- 2 Touchez à START. Les mots « SOUND ON » apparaîtront sur l'écran du panneau de commande.

RAPPEL DE FIN DE CUISSON

Un fois la cuisson terminée, le four à micro-ondes sonnera toutes les dix secondes pendant la première minute; puis toutes les trois minutes (pendant une heure) jusqu'à ce que la touche STOP/CLEAR soit enfoncée.

Pour éliminer le rappel :

- 1 Touchez à SETTINGS trois fois.
- 2 Touchez à START. Les mots « REMIND SIGNAL OFF » apparaîtront sur l'écran du panneau de commande.

Pour rétablir le rappel :

- 1 Touchez à SETTINGS trois fois.
- 2 Touchez à START. Les mots « REMIND SIGNAL ON » apparaîtront sur l'écran du panneau de commande.

MODE DE DÉMONSTRATION

Le mode de démonstration permet de démontrer le fonctionnement sans que le four à micro-ondes ne soit alimenté.

Pour accéder au mode de démonstration :

- 1 Touchez à SETTINGS cinq fois.
- 2 Touchez à START. Les mots « DEMO ON » apparaîtront sur l'écran du panneau de commande.

Pour quitter le mode de démonstration :

- 1 Touchez à SETTINGS cinq fois.
- 2 Touchez à START. Les mots « DEMO OFF » apparaîtront sur l'écran du panneau de commande.

Cuisson manuelle

POWER LEVEL (NIVEAU DE PUISSANCE)

Le four à micro-ondes possède dix niveaux de puissance pré-réglés.

Pour cuire manuellement à une puissance de 100 % :

- 1 Utilisez le clavier numérique pour entrer la durée de cuisson.
- 2 Touchez à START.
- 3 Le four retentira et le mot « END » apparaîtra sur l'écran du panneau de commande lorsque la période est terminée.

Pour cuire manuellement à un niveau de puissance inférieur à 100 %, touchez à POWER LEVEL, puis utilisez le clavier numérique pour sélectionner le niveau de puissance désiré. Reportez-vous au tableau ci-dessous.

POWER LEVEL (NIVEAU DE PUISSANCE)		
NIVEAU DE PUISSANCE	Élevé	100 %
NIVEAU DE PUISSANCE, 9		90 %
NIVEAU DE PUISSANCE, 8		80 %
NIVEAU DE PUISSANCE, 7	Moyen élevé	70 %
NIVEAU DE PUISSANCE, 6		60 %
NIVEAU DE PUISSANCE, 5	Moyen	50 %
NIVEAU DE PUISSANCE, 4		40 %
NIVEAU DE PUISSANCE, 3	Moyen faible/décongeler	30 %
NIVEAU DE PUISSANCE, 2		20 %
NIVEAU DE PUISSANCE, 1	Faible	10 %

CUISSON À PLUSIEURS SÉQUENCES

Le four à micro-ondes peut être programmé pour jusqu'à quatre séquences de cuisson automatique, et passer d'un niveau de puissance à un autre automatiquement.

Pour utiliser la cuisson à plusieurs séquences (par exemple, commencer à 100 %, puis passer à une puissance de 50 %) :

- 1 Touchez à POWER LEVEL deux fois, puis utilisez le clavier numérique pour entrer la durée de cuisson désirée.
- 2 Touchez à POWER LEVEL, puis touchez à 5, puis utilisez le clavier numérique pour entrer une seconde durée de cuisson.
- 3 Touchez à START.

MISE EN MARCHÉ AUTOMATIQUE

Le four à micro-ondes peut être programmé à commencer à cuire automatiquement à une heure du jour choisie. L'horloge doit être réglée à la bonne heure pour que la mise en marche automatique fonctionne correctement.

Pour utiliser la mise en marche automatique :

- 1 Touchez à SETTINGS quatre fois.
- 2 Touchez à START.
- 3 Utilisez le clavier numérique pour entrer l'heure de début de la cuisson.
- 4 Touchez à CLOCK.
- 5 Utilisez le clavier numérique pour entrer la durée de cuisson. Réglez le niveau de puissance si nécessaire.
- 6 Touchez à START.

Cuisson manuelle

ADD MINUTE (AJOUTER UNE MINUTE)

La fonction ajouter une minute cuit pendant une minute à 100 % en enfonçant la touche ADD MINUTE. Enfoncez-la plusieurs fois pour augmenter le temps de cuisson. Chaque appui augmente la durée d'une minute. Cette fonction ne peut pas être utilisée avec les réglages de cuisson avec capteur.

KEEP WARM (GARDER AU CHAUD)

La fonction garder au chaud gardera les aliments chauds pendant une période pouvant atteindre 90 minutes.

Pour utiliser la fonction garder au chaud :

- 1 Touchez à KEEP WARM.
- 2 Utilisez le clavier numérique pour entrer la durée pendant laquelle vous désirez garder les aliments au chaud.
- 3 Touchez à START.
- 4 Touchez à STOP/CLEAR pour annuler.

POPCORN (MAÏS À ÉCLATER)

La fonction maïs à éclater comprend deux options. Suivez les directives sur l'écran du panneau de commande pour sélectionner l'option désirée. Utilisez seulement du maïs à éclater emballé pour l'usage au four à micro-ondes.

Pour utiliser la fonction maïs à éclater :

- 1 Touchez à POPCORN une fois pour un emballage de taille régulière ou deux fois pour les emballages de taille collation.
- 2 Touchez à START.

MELT (FONDRE)

La fonction fondre fera fondre du beurre ou du chocolat.

Pour utiliser la fonction fondre :

- 1 Touchez à MELT.
- 2 **Pour le beurre :** touchez à 1 une fois pour 2 cuillers à soupe ou deux fois pour 1/2 tasse.
Pour le chocolat : touchez à 2 une fois pour 1 tasse ou deux fois pour 1 carré.
- 3 Touchez à START.

SOFTEN (RAMOLLIR)

La fonction ramollir ramollira la crème glacée ou le fromage en crème.

Pour utiliser la fonction ramollir :

- 1 Touchez à SOFTEN.
- 2 **Pour la crème glacée :** touchez à 1 une fois pour 1 pinte ou deux fois pour 1/2 gallon.
Pour le fromage en crème : touchez à 2 une fois pour 3 onces ou deux fois pour 8 onces.
- 3 Touchez à START.

BEVERAGE (BOISSONS)

La fonction boissons réchauffera une boisson ou préparera de l'eau chaude pour du café ou du thé.

Pour utiliser la fonction boissons :

- 1 Touchez à BEVERAGE.
- 2 **Pour réchauffer une boisson :** touchez à 1 plusieurs fois pour sélectionner la quantité dans des incréments de 1/2 tasse, jusqu'à 2 tasses.
Pour de l'eau chaude : touchez à 2 plusieurs fois pour sélectionner la quantité dans des incréments de 1 tasse, jusqu'à 6 tasses.
- 3 Touchez à START.

Cuisson avec capteur

WOLF GOURMET

La fonction Wolf Gourmet détecte l'humidité des aliments pendant la cuisson et ajuste automatiquement la durée et le niveau de puissance. Les légumes frais et la volaille ont deux options. Suivez les directives sur l'écran du panneau de commande pour sélectionner l'option désirée. Reportez-vous au guide Wolf Gourmet à la page 11.

Pour sélectionner Wolf Gourmet :

- 1 Touchez à WOLF GOURMET, puis utilisez le clavier numérique pour sélectionner l'aliment désiré (comme 5 pour les pommes de terre au four, par exemple).
- 2 Touchez à START.

SENSOR REHEAT (RÉCHAUFFEMENT AVEC CAPTEUR)

La fonction réchauffement avec capteur détecte l'humidité des aliments pendant qu'elle les réchauffe et ajuste automatiquement la durée et le niveau de puissance.

Pour sélectionner le réchauffement avec capteur :

- 1 Touchez à SENSOR REHEAT.
- 2 Touchez à START.

AJUSTER LA DURÉE

La fonction ajuster la durée augmente ou diminue la durée de cuisson pour les réglages de cuisson avec capteur.

Pour ajuster la durée :

- 1 Touchez à POWER LEVEL une fois pour « PLUS » ou deux fois pour « MOINS » de temps.

Décongélation

AUTO DEFROST (AUTO DÉCONGÉLATION)

La fonction auto décongélation utilise des réglages pré-réglés pour décongeler certains aliments. Reportez-vous au guide auto décongélation à la page 12. Pour les aliments non indiqués, reportez-vous à la décongélation manuelle.

Pour sélectionner auto décongélation :

- 1 Touchez à AUTO DEFROST, puis utilisez le clavier numérique pour sélectionner l'aliment désiré (comme 3 pour la volaille désossée, par exemple).
- 2 Utilisez le clavier numérique pour entrer le poids.
- 3 Touchez à START. Après une période de temps, le four à micro-ondes s'arrête afin de vérifier les aliments.
- 4 Ouvrez le tiroir et retournez les aliments.
- 5 Répétez jusqu'à ce que la décongélation soit terminée.

MANUAL DEFROST (DÉCONGÉLATION MANUELLE)

La fonction de décongélation manuelle décongèle automatiquement à une puissance de 30 %. Les aliments doivent être retournés tout au long du processus pour assurer une décongélation uniforme. Pour décongeler à un autre niveau de puissance, reportez-vous aux niveaux de puissance à la page 8.

Pour décongeler manuellement :

- 1 Touchez à MANUAL DEFROST.
- 2 Utilisez le clavier numérique pour entrer la durée désirée.
- 3 Touchez à START.

Guide Wolf Gourmet

NUMÉRO	ALIMENT	QUANTITÉ	MÉTHODE
1	Légumes frais— cuisson rapide Brocoli, choux de Bruxelles et chou Chou-fleur (bouquets) Chou-fleur (entier) Épinard et zucchini Pommes au four	 1/4–2 lb (115 g–0,9 kg) 1/4–2 lb (115 g–0,9 kg) 1 moyen 1/4–2 lb (115 g–0,9 kg) 2–4 moyennes	Lavez et placez dans une cocotte sans danger pour le micro-ondes. N'ajoutez pas de l'eau si les légumes viennent d'être lavés. Couvrez avec un couvercle pour obtenir des légumes tendres. Utilisez du film étirable pour obtenir des légumes de tendres à croustillants. Après la cuisson, remuez si possible. Laissez reposer pendant deux à cinq minutes, couvert.
2	Légumes frais— plus longtemps Carottes (tranchées) Maïs en épis Haricots verts Potiron (en cubes) Potiron (coupé en deux)	 1/4–1 1/2 lb (115 g–0,7 kg) 2–4 morceaux 1/4–1 1/2 lb (115 g–0,7 kg) 1/4–1 1/2 lb (115 g–0,7 kg) 1–2	Placez dans une cocotte sans danger pour le micro-ondes. Ajoutez de 1 à 4 cuillères à soupe (15 à 60 ml) d'eau. Couvrez avec un couvercle pour obtenir des légumes tendres. Couvrez avec du film étirable pour obtenir des légumes de tendres à croustillants. Après la cuisson, remuez si possible. Laissez reposer pendant deux à cinq minutes, couvert.
3	Légumes congelés	1/4–1 1/4 lb (115 g–0,6 kg)	N'ajoutez pas d'eau. Utilisez un couvercle ou du film étirable. Après la cuisson, remuez et laissez les légumes reposer pendant trois minutes, couverts.
4	Repas congelés	6–17 oz (170–480 g)	À utiliser pour les aliments congelés de convenance. Retirez l'emballage de l'enveloppe extérieure et suivez les directives sur l'emballage pour la couverture. Après la cuisson, laissez le repas reposer pendant une à trois minutes, couvert.
5	Pommes de terre au four	1–6 moyenne(s)	Percez-les. Placez-les sur une serviette en papier dans le micro-ondes à tiroir. Après la cuisson, retirez du micro-ondes, enveloppez-les de papier d'aluminium et laissez-les reposer pendant cinq à dix minutes.
6	Patates douces	1–6 moyenne(s)	Percez-les. Placez-les sur une serviette en papier dans le micro-ondes à tiroir. Après la cuisson, retirez du micro-ondes, enveloppez-les de papier d'aluminium et laissez-les reposer pendant cinq à dix minutes.
7	Viande hachée	1/4–2 lb (115 g–0,9 kg)	Utilisez ce réglage pour cuire la viande hachée ou la dinde en galettes ou dans une cocotte pour ajouter à d'autres ingrédients. Placez les galettes sur un support sans danger pour le micro-ondes et couvrez d'un papier ciré. Placez la viande hachée dans une cocotte et couvrez d'un papier ciré ou d'un film étirable. Lorsque le micro-ondes s'arrête, tournez les galettes ou remuez la viande dans la cocotte pour briser les pièces plus grosses. Couvrez et touchez à START. Après la cuisson, laissez l'aliment reposer pendant deux à trois minutes, couvert.
8	Poisson, fruits de mer	1/4–2 lb (115 g–0,9 kg)	Disposez en rond dans un plat en verre peu profond sans danger pour le micro-ondes (roulez les filets avec les rebords en-dessous). Couvrez avec du film étirable éventé. Après la cuisson, laissez reposer pendant trois minutes, couvert.
9	Riz blanc	1/2–2 tasses (95–380 g)	Placez le riz dans une casserole profonde et ajoutez la quantité double d'eau (par ex., 1 tasse de riz et 2 tasses d'eau). Utilisez un couvercle ou du film étirable. Après la cuisson, remuez, couvrez et laissez reposer pendant trois à cinq minutes ou jusqu'à ce que tout le liquide ait été absorbé.
10	Riz brun	1/2–2 tasses (95–380 g)	Placez le riz dans une casserole profonde et ajoutez la quantité double d'eau (par ex., 1 tasse de riz et 2 tasses d'eau). Utilisez un couvercle ou du film étirable. Après la cuisson, remuez, couvrez et laissez reposer pendant trois à cinq minutes ou jusqu'à ce que tout le liquide ait été absorbé.

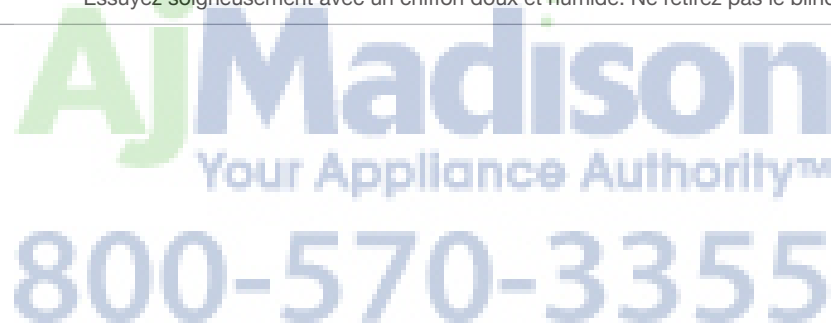
Guide d'auto décongélation

NUMÉRO	ALIMENT	QUANTITÉ	MÉTHODE
1	Viande hachée	1/2–2 lb (230 g–1,1 kg)	Retirez tout morceau décongelé après chaque signal audible. Laissez reposer pendant cinq à dix minutes, couvert.
2	Steaks, côtelettes	1/2–3 lb (230 g–1,4 kg)	Après chaque signal audible, déplacez les aliments. S'il y a des parties chaudes ou décongelées, protégez-les avec de petits morceaux de papier d'aluminium. Retirez toute viande qui est presque décongelée. Laissez reposer la viande pendant 10 à 20 minutes, couvert.
3	Volaille désossée	1/2–2 lb (230 g–1,1 kg)	Après chaque signal audible, déplacez les pièces ou retirez celles qui sont chaudes ou décongelées. Laissez reposer pendant 10 à 20 minutes, couvert.
4	Volaille avec os	1/2–3 lb (230 g–1,4 kg)	Après chaque signal audible, déplacez les pièces ou retirez celles qui sont chaudes ou décongelées. Laissez reposer pendant 10 à 20 minutes, couvert.
5	Rôti	2–4 lb (1,1–1,8 kg)	Commencez la décongélation avec le côté gras vers le bas. Après chaque signal audible, retournez et protégez les zones chaudes avec du papier d'aluminium. Laissez reposer pendant 30 à 60 minutes, couvert.
6	Ragoût, soupe	1–6 tasse(s) (240 ml–1,4 l)	Après chaque signal audible, séparez et retirez toute partie décongelée. À la fin, remuez à fond et laissez reposer pendant cinq à dix minutes, couvert.



Conseils d'entretien

NETTOYAGE	
Acier inoxydable	Utilisez un nettoyant non abrasif pour l'acier inoxydable et appliquez-le avec un chiffon doux non pelucheux. Pour faire ressortir le lustre naturel, essuyez légèrement la surface avec un chiffon en microfibres humecté d'eau suivi d'un chamois à polir sec. Suivez toujours le grain de l'acier inoxydable.
Devant du tiroir	Pulvérisez du nettoyant à vitre sur un chiffon propre.
Glissières de tiroir	Retirez les miettes de nourriture des glissières de tiroir. Essuyez avec un chiffon doux et sec.
Panneau de commande	Utilisez un dégraissant pulvérisé pour éliminer les empreintes de doigts et les taches de nourriture. Pulvérisez sur un chiffon avant d'essuyer le panneau. REMARQUE IMPORTANTE : ne pulvérisez pas les produits à nettoyer directement sur le panneau de commande. Pour verrouiller le panneau de commande avant de le nettoyer, reportez-vous à la page 6.
Intérieur	Essuyez avec un chiffon doux et humide. N'utilisez pas de nettoyants abrasifs ou puissants ou de tampons à récurer. Pour la saleté plus tenace, utilisez du bicarbonate de soude ou un savon doux; rincez à fond avec de l'eau chaude. N'utilisez pas de produits chimiques à nettoyer les fours.
Blindage du guide d'ondes	Le blindage du guide d'ondes est situé sur la partie supérieure intérieure de l'intérieur du micro-ondes. Essuyez soigneusement avec un chiffon doux et humide. Ne retirez pas le blindage du guide d'ondes.



Dépannage

Le four à micro-ondes ne fonctionne pas.

- Assurez-vous que l'unité est sous tension.
- Vérifiez l'alimentation électrique vers l'unité et que le disjoncteur de la résidence est en marche.

Les aliments dans le four à micro-ondes ne chauffent pas.

- Vérifiez les commandes pour vous assurer que le bon réglage est choisi.
- Le four à micro-ondes est en mode de démonstration. Reportez-vous à la page 7 pour annuler.

La durée sur l'écran effectue le compte à rebours très rapidement.

- Le four à micro-ondes est en mode de démonstration. Reportez-vous à la page 7 pour annuler.

La lumière intérieure ne fonctionne pas.

- L'ampoule est lâche ou grillée. Communiquez avec le centre de service Wolf certifié par l'usine.

Les commandes tactiles ne fonctionnent pas.

- La fonction de verrouillage du panneau de commande est activée. Reportez-vous à la page 6 pour le déverrouiller.

L'affichage clignote.

- Panne de courant. Touchez à STOP/CLEAR et réinitialisez l'horloge. Si le four à micro-ondes était utilisé, réinitialisez la fonction de cuisson.

Interférence radio ou télé causée par le four à micro-ondes.

- Assurez-vous que le four à micro-ondes se trouve sur un circuit électrique différent, déplacez la radio ou le téléviseur aussi loin du four à micro-ondes que possible ou vérifiez la position et le signal de l'antenne.

SERVICE

- Préservez la qualité intégrée dans votre produit en communiquant avec un service Wolf certifié par l'usine. Pour obtenir le nom du centre de service Wolf certifié par l'usine le plus près de chez vous, consultez la section Contact et assistance de notre site Web, wolfappliance.com ou appelez le service à la clientèle de Wolf à 800-222-7820.
- Avant d'appeler pour obtenir du service, ayez en main les numéros de modèle et de série de votre produit. Les deux numéros sont indiqués sur la plaque signalétique du produit. Reportez-vous à la page 6 pour connaître l'emplacement de la plaque signalétique.
- Pour les besoins de la garantie, vous devrez aussi avoir la date d'installation et le nom de votre dépositaire Wolf autorisé. Ces renseignements doivent être notés à la page 2 de ce guide.



Garantie limitée résidentielle Wolf Appliance

POUR UTILISATION RÉSIDENIELLE

GARANTIE COMPLÈTE DE DEUX ANS*

Pendant deux ans à compter de la date d'installation originale, cette garantie de produit Wolf Appliance couvre toutes les pièces et la main d'œuvre pour réparer ou remplacer, selon un usage résidentiel normal, toute partie du produit qui s'avérerait défectueuse en vertu des matériaux ou de la fabrication. Tout service fourni par Wolf Appliance en vertu de la garantie ci-dessus doit être effectué par un centre de service Wolf certifié par l'usine, à moins d'indication contraire de la part de Wolf Appliance, Inc. Le service sera fourni pendant les heures normales d'affaires.

GARANTIE LIMITÉE DE CINQ ANS

Pendant cinq ans à compter de la date originale d'installation, Wolf Appliance réparera ou remplacera les pièces suivantes qui s'avéreront défectueuses en vertu des matériaux ou de la fabrication : brûleurs au gaz (sauf l'apparence), éléments chauffants électriques, moteurs à soufflerie (hottes d'évent), tableaux de contrôle électronique, tubes magnétrons et génératrices à induction. Si le propriétaire utilise le service Wolf certifié en usine, le fournisseur de service réparera ou remplacera ces pièces et le propriétaire paiera pour tous les autres frais, y compris la main d'œuvre. Si le propriétaire utilise un service non certifié, il doit communiquer avec Wolf Appliance, Inc. (avec les renseignements ci-dessous) pour obtenir des pièces réparées ou de rechange. Wolf Appliance ne remboursera pas le propriétaire pour les pièces achetées d'un service non certifié ou d'autres sources.

CONDITIONS S'APPLIQUANT À CHAQUE GARANTIE

La garantie s'applique uniquement aux produits installés pour un usage résidentiel normal. La garantie s'applique seulement aux produits installés dans l'un des cinquante états des États-Unis, dans le District of Columbia ou les dix provinces du Canada. Cette garantie ne couvre pas les pièces ou la main d'œuvre pour corriger tout défaut causé par de la négligence, un accident ou une utilisation, un entretien, une installation, un service ou une réparation inappropriés.

LES REMÈDES DÉCRITS CI-DESSUS POUR CHAQUE GARANTIE SONT LES SEULS OFFERTS PAR WOLF APPLIANCE, INC. EN VERTU DE CETTE GARANTIE OU DE TOUTE GARANTIE DÉCOULANT DE L'OPÉRATION DE LA LOI. WOLF APPLIANCE, INC. NE SERA PAS RESPONSABLE DES DOMMAGES INDIRECTS OU CONSÉCUTIFS ISSUS DE LA VIOLATION DE CETTE GARANTIE OU DE TOUTE AUTRE GARANTIE, EXPRESSE, IMPLICITE OU LÉGALE.

Certaines provinces ne permettent pas l'exclusion ou la restriction des dommages indirects ou consécutifs, par conséquent, la limite ou l'exclusion ci-dessus peut ne pas s'appliquer à votre cas. Cette garantie vous confère des droits légaux précis et vous pouvez aussi avoir d'autres droits légaux qui peuvent varier d'une province à l'autre.

Pour obtenir des pièces et/ou du service et le nom du centre de service Wolf certifié par l'usine le plus près de chez vous, communiquez avec Wolf Appliance, Inc., P.O. Box 44848, Madison WI, 53744 É.-U.; vérifiez la section Contact et assistance de notre site Web, wolfappliance.com, envoyez-nous un courriel à customerservice@subzero.com ou composez le 800-222-7820.

*L'acier inoxydable (les portes, les panneaux, les poignées, les cadres et les surfaces intérieures) est couvert par une garantie limitée de 60 jours sur les pièces et la main d'œuvre pour toute défectuosité cosmétique.

*Les filtres de rechange pour les trousse de recirculation de hotte ne sont pas couverts par la garantie du produit.





At Madison
Your Appliance Authority™
800-570-3355



WOLF APPLIANCE, INC. P.O. BOX 44848 MADISON, WI 53744 WOLFAPPLIANCE.COM 800.222.7820

823037 REV-B

6/2013

