

# 24" Bar Handle Dishwasher

100 Series – Stainless Steel SHXM4AY55N



**BOSCH**  
Invented for life



**SHXM4AY55N**  
Stainless Steel

Also available in:

White SHXM4AY52N  
Black SHXM4AY56N

**Bosch dishwashers are so quiet, you may forget they're on. InfoLight® projects a red light onto the floor to let you know it's on.**

## Features & Benefits

48 dBA: Quietest dishwasher brand in North America.\*

A 3rd rack adds versatility and offers 30% more loading area.

RackMatic® offers 3 height levels, for 9 possible rack positions. Lower to fit tall glasses above. Raise to fit tall pots below.

24/7 Overflow Protection System® helps prevent water leaks, even when your dishwasher is off.

## General Properties

|                           |  |
|---------------------------|--|
| Number of wash cycles     | 5                                      |
| Number of options         | 4                                      |
| dBA                       | 48                                     |
| Third rack                | Standard 3rd rack                      |
| Rack adjustability        | 3-Level RackMatic®                     |
| Tub material              | Stainless steel/polypropylene          |
| Control type              | Buttons                                |
| Concealed heating element | Yes                                    |
| Leak protection system    | 24/7 Overflow Protection               |
| Water softener            | No                                     |
| Five-level wash           | Yes                                    |
| ChildLock                 | No                                     |
| Special features          | 3rd rack, Anti-fingerprint, InfoLight® |

## Efficiency

|                                       |        |
|---------------------------------------|--------|
| Water usage per cycle                 | 3.2    |
| Energy efficiency class               | Tier 1 |
| ENERGY STAR® qualified                | Yes    |
| Total annual energy consumption (kWh) | 269    |
| Total annual water consumption (g)    | 688    |

## Capacity

|                          |    |
|--------------------------|----|
| Number of place settings | 15 |
|--------------------------|----|



## Technical Details

|                                 |         |
|---------------------------------|---------|
| Watts (W)                       | 1440 W  |
| Current (A)                     | 12 Amps |
| Volts (V)                       | 120 V   |
| Frequency (Hz)                  | 60 Hz   |
| Power cord length               | N/A     |
| Minimum water pressure (lb/sin) | 15      |
| Length outlet hose (in)         | 90 1/2" |

## Dimensions & Weight

|   |                               |
|---|-------------------------------|
| Overall appliance dimensions (HxWxD) (in) | 33 7/8" x 23 9/16" x 22 9/16" |
| Required cutout size (HxWxD) (in)         | 33 7/8" x 24" x 24"           |
| Adjustable feet                           | Yes                           |
| Net weight (lbs)                          | 76                            |

## Accessories—Optional

|   |            |
|---|------------|
| Dishwasher Drain Hose Extension 76 3/4" | SGZ1010UC  |
| Dishwasher 3-Prong Power Cord 55 1/4"   | SGZPC001UC |
| Dishwasher Accessory Kit                | SGZ1052UC  |
| DoubleFlex Silverware Basket            | SMZ4000UC  |



\*Based on an average of sound ratings of 24" Full Size Stainless Steel Tub dishwashers contained in major brands US & Canadian websites. Major brands defined as TraQline Top 5 Market Share (US & Canada) December 2016.

**For help and assistance with Bosch accessories please visit: [www.bosch-eshop.com/eshop/bosch/us](http://www.bosch-eshop.com/eshop/bosch/us) or call 1-800-944-2904 Mon-Fri 5am to 6pm PST Sat 6am to 3pm PST**

Notes: All height, width and depth dimensions are shown in inches. BSH reserves the absolute and unrestricted right to change product materials and specifications, at any time, without notice. Consult the product's installation instructions for final dimensional data and other details prior to making cutout. Applicable product warranty can be found in accompanying product literature or you may contact your account manager for further details.

Warranties: Bosch warrants that the Product is free from defects in materials and workmanship for a period of three hundred and sixty-five (365) days from the date of purchase. The foregoing timeline begins to run upon the date of purchase, and shall not be stalled, tolled, extended, or suspended, for any reason whatsoever. This Product is also warranted to be free from cosmetic defects in material and workmanship (such as scratches of stainless steel, paint/porcelain blemishes, chip, dents, or other damage) to the finish of the Product, for a period of thirty (30) days from the date of purchase or closing date for new construction. This cosmetic warranty excludes slight color variations due to inherent differences in painted and porcelain parts, as well as differences caused by kitchen lighting, product location, or other similar factors. This cosmetic warranty specifically excludes any display, floor, "As Is", or "B" stock appliances.

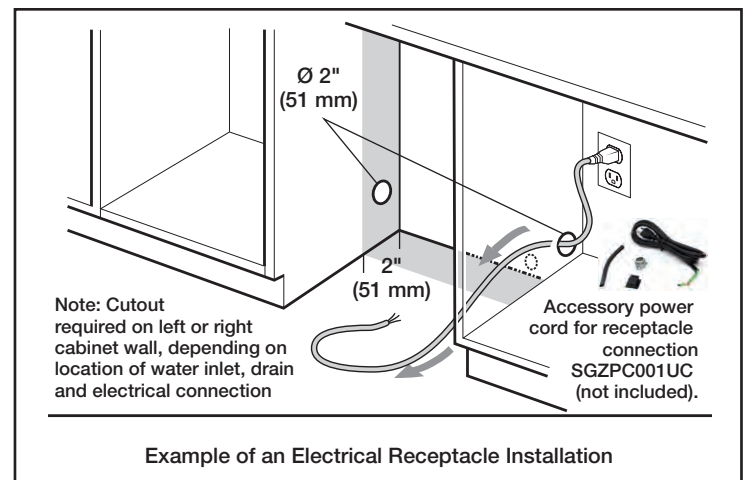
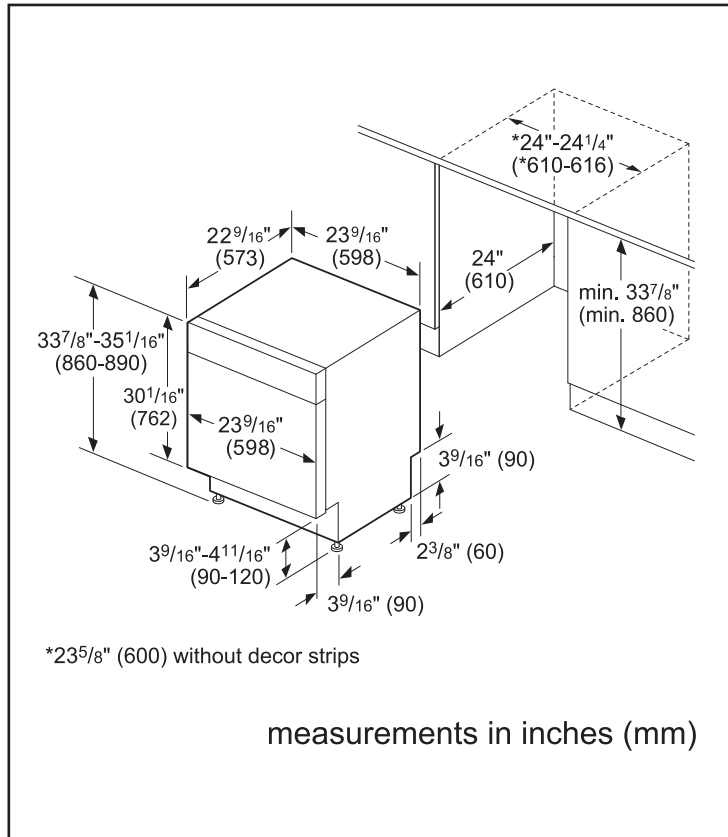
**For more information on our entire line of products, go to [www.bosch-home.com/us](http://www.bosch-home.com/us) or call 1-800-944-2904**

© BSH Home Appliances Corporation. All rights reserved. Bosch is a registered trademark of Robert Bosch GmbH.

# 24" Bar Handle Dishwasher

100 Series – Stainless Steel SHXM4AY55N

## Installation Details



For help and assistance with Bosch accessories please visit: [www.bosch-eshop.com/eshop/bosch/us](http://www.bosch-eshop.com/eshop/bosch/us) or call 1-800-944-2904 Mon-Fri 5am to 6pm PST Sat 6am to 3pm PST

Notes: All height, width and depth dimensions are shown in inches. BSH reserves the absolute and unrestricted right to change product materials and specifications, at any time, without notice. Consult the product's installation instructions for final dimensional data and other details prior to making cutout. Applicable product warranty can be found in accompanying product literature or you may contact your account manager for further details.

Warranties: Bosch warrants that the Product is free from defects in materials and workmanship for a period of three hundred and sixty-five (365) days from the date of purchase. The foregoing timeline begins to run upon the date of purchase, and shall not be stalled, tolled, extended, or suspended, for any reason whatsoever. This Product is also warranted to be free from cosmetic defects in material and workmanship (such as scratches of stainless steel, paint/porcelain blemishes, chip, dents, or other damage) to the finish of the Product, for a period of thirty (30) days from the date of purchase or closing date for new construction. This cosmetic warranty excludes slight color variations due to inherent differences in painted and porcelain parts, as well as differences caused by kitchen lighting, product location, or other similar factors. This cosmetic warranty specifically excludes any display, floor, "As Is", or "B" stock appliances.

For more information on our entire line of products, go to [www.bosch-home.com/us](http://www.bosch-home.com/us) or call 1-800-944-2904

© BSH Home Appliances Corporation. All rights reserved. Bosch is a registered trademark of Robert Bosch GmbH.

# 24" Bar Handle Dishwasher

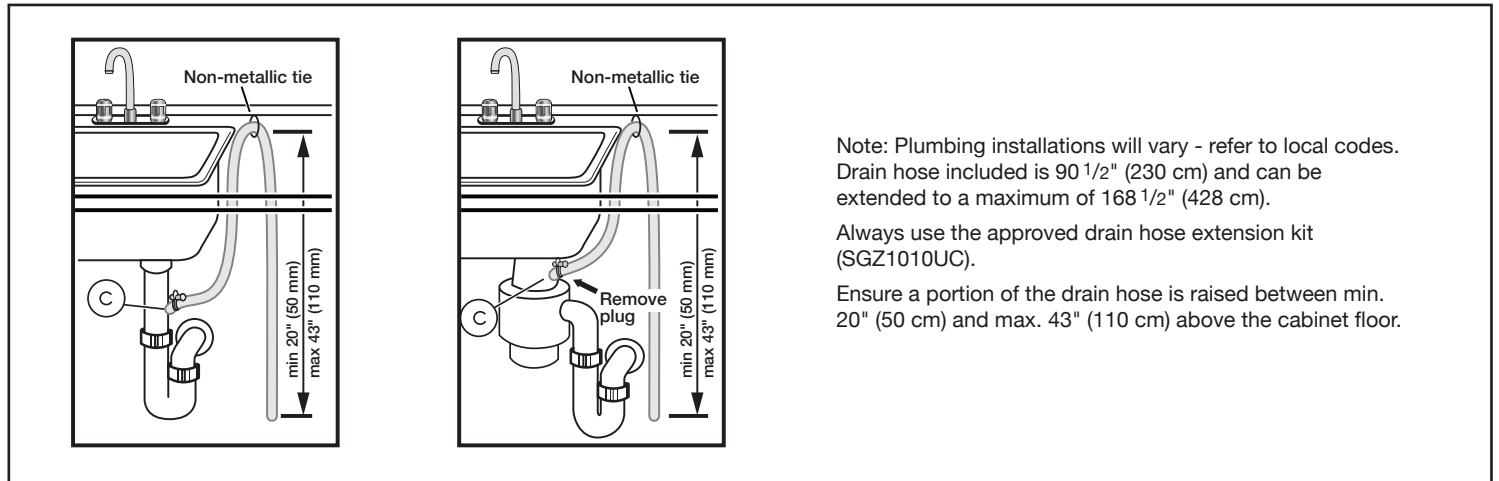
100 Series – Stainless Steel SHXM4AY55N



**BOSCH**

Invented for life

## Installation Details



For help and assistance with Bosch accessories please visit: [www.bosch-eshop.com/eshop/bosch/us](http://www.bosch-eshop.com/eshop/bosch/us) or call 1-800-944-2904 Mon-Fri 5am to 6pm PST Sat 6am to 3pm PST

Notes: All height, width and depth dimensions are shown in inches. BSH reserves the absolute and unrestricted right to change product materials and specifications, at any time, without notice. Consult the product's installation instructions for final dimensional data and other details prior to making cutout. Applicable product warranty can be found in accompanying product literature or you may contact your account manager for further details.

Warranties: Bosch warrants that the Product is free from defects in materials and workmanship for a period of three hundred and sixty-five (365) days from the date of purchase. The foregoing timeline begins to run upon the date of purchase, and shall not be stalled, tolled, extended, or suspended, for any reason whatsoever. This Product is also warranted to be free from cosmetic defects in material and workmanship (such as scratches of stainless steel, paint/porcelain blemishes, chip, dents, or other damage) to the finish of the Product, for a period of thirty (30) days from the date of purchase or closing date for new construction. This cosmetic warranty excludes slight color variations due to inherent differences in painted and porcelain parts, as well as differences caused by kitchen lighting, product location, or other similar factors. This cosmetic warranty specifically excludes any display, floor, "As Is", or "B" stock appliances.

For more information on our entire line of products, go to [www.bosch-home.com/us](http://www.bosch-home.com/us) or call 1-800-944-2904

© BSH Home Appliances Corporation. All rights reserved. Bosch is a registered trademark of Robert Bosch GmbH.

04/18