

QUICK REFERENCE GUIDE

GAS RANGE WORKTOP

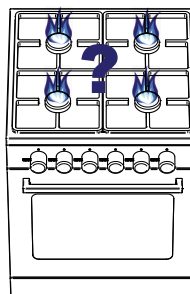


TO COOK BEAUTIFULLY
bertazzoni.com

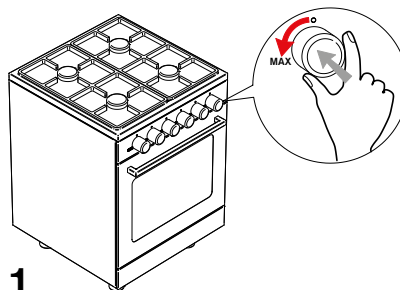
How do I turn on my gas surface burners?



Aim your phone camera to this code and visualize these instructions on your phone

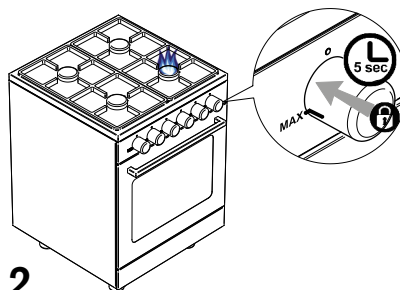


Press knob for desired burner all the way in while rotating to MAX position. Spark plugs will start to tick and gas will flow to the burner selected.



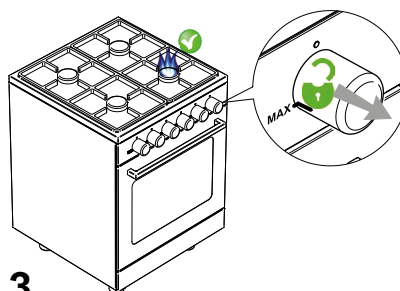
1

Once burner is lit, continue to keep knob pressed in for 5 seconds.



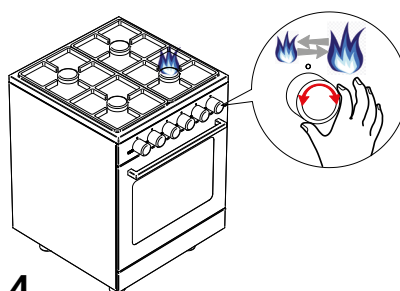
2

After 5 seconds, release the knob, flame will continue to burn.



3

Rotate knob to desired cooking level.



4

QUICK REFERENCE GUIDE

GAS RANGE OVEN

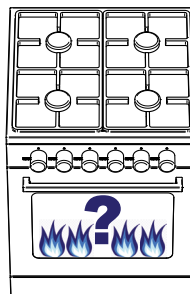


TO COOK BEAUTIFULLY
bertazzoni.com

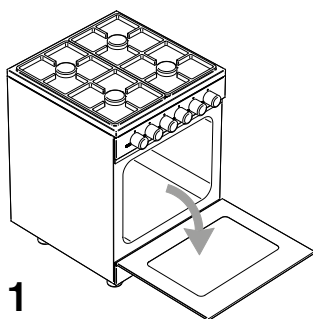
How do I turn on my gas oven?



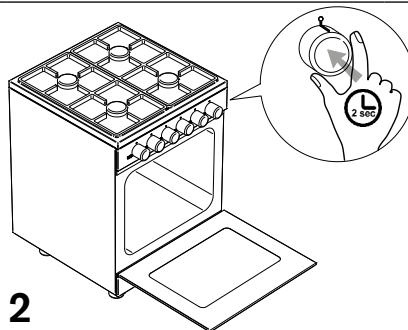
Aim your phone camera to this code and visualize these instructions on your phone



Open oven door completely.



1

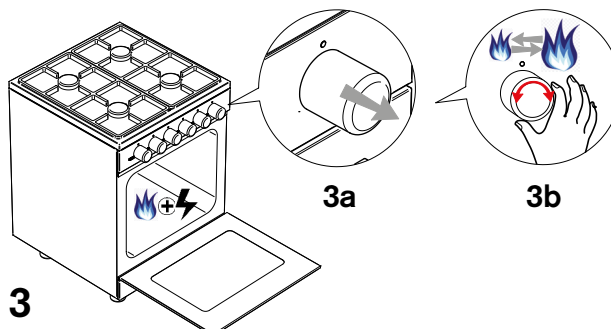


2

Press thermostat knob in OFF position in and keep pressed all the way in for 2 seconds (count steadily).

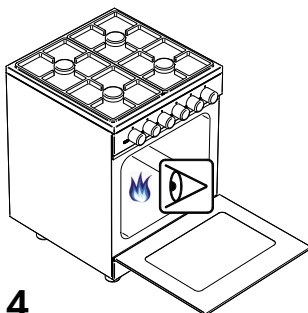
After 2 seconds release knob (3a) and rotate to either broil position if lighting broiler, or maximum temperature position if lighting bake burner. (3b)

NOTE:
Once knob is released, spark plugs will tick for 10 seconds and gas will flow for 10 seconds, selected burner should light with 2-3 seconds.

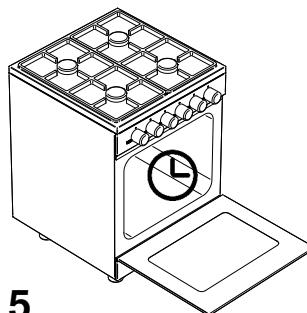


3

Once spark plugs stop ticking, check that the bake or broil burner stays on.



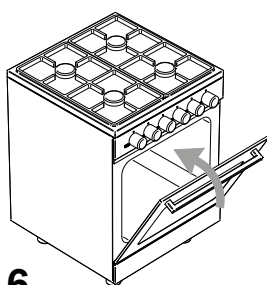
4



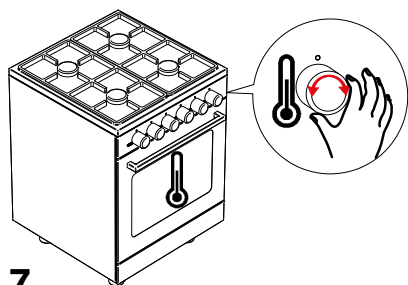
5

Leave the oven door open for an additional 20-25 seconds.

At the end of the 20-25 seconds, close the oven door.



6



7

Rotate knob to desired cooking temperature for bake burner, if using the bake burner.