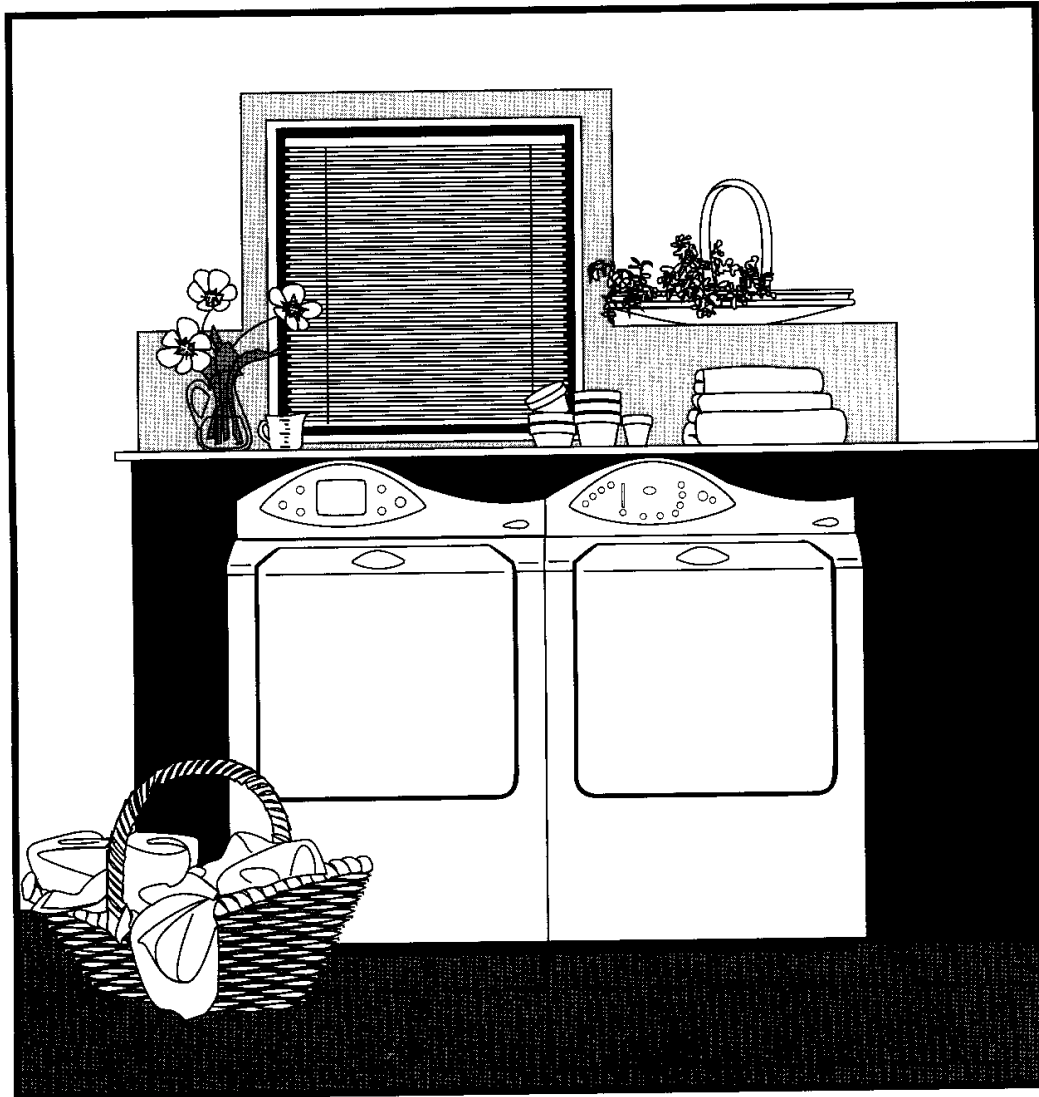




NEPTUNE

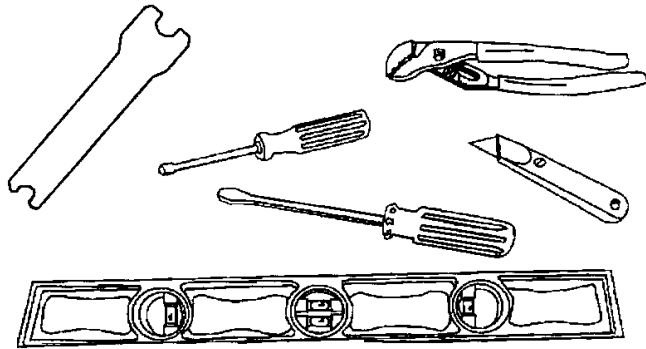
HIGH-EFFICIENCY WASHER INSTALLATION INSTRUCTIONS
MACHINE À LAVER HAUTE EFFICACITÉ
GUIDE DE MISE EN SERVICE
INSTRUCCIONES PARA LA INSTALACIÓN
DE LA LAVADORA DE ALTA EFICIENCIA



LEAVE THESE INSTRUCTIONS WITH THE OWNER
LAISSER CE GUIDE DE MISE EN SERVICE AU PROPRIÉTAIRE
DEJAR ESTAS INSTRUCCIONES CON EL PROPIETARIO

READ THIS BEFORE YOU START...

Tools needed for installation:



- Multi wrench
- Utility knife
- Channel lock
- 5/16 nut driver
- Level
- Screw driver – flatblade

ELECTRICAL

Refer to serial plate for specific electrical requirements. For more detailed information refer to section on **Electrical Requirements**.

WATER

Washer needs two standard 3/4 inch water supply faucets with a pressure between 30–120 pounds per square inch. For more detailed information refer to section on **Water Requirements**.

PARTS supplied for installation:

Cable tie to secure drain hose to standpipe, inlet hose or laundry tub



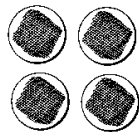
2 washers and 2 screens for water hoses



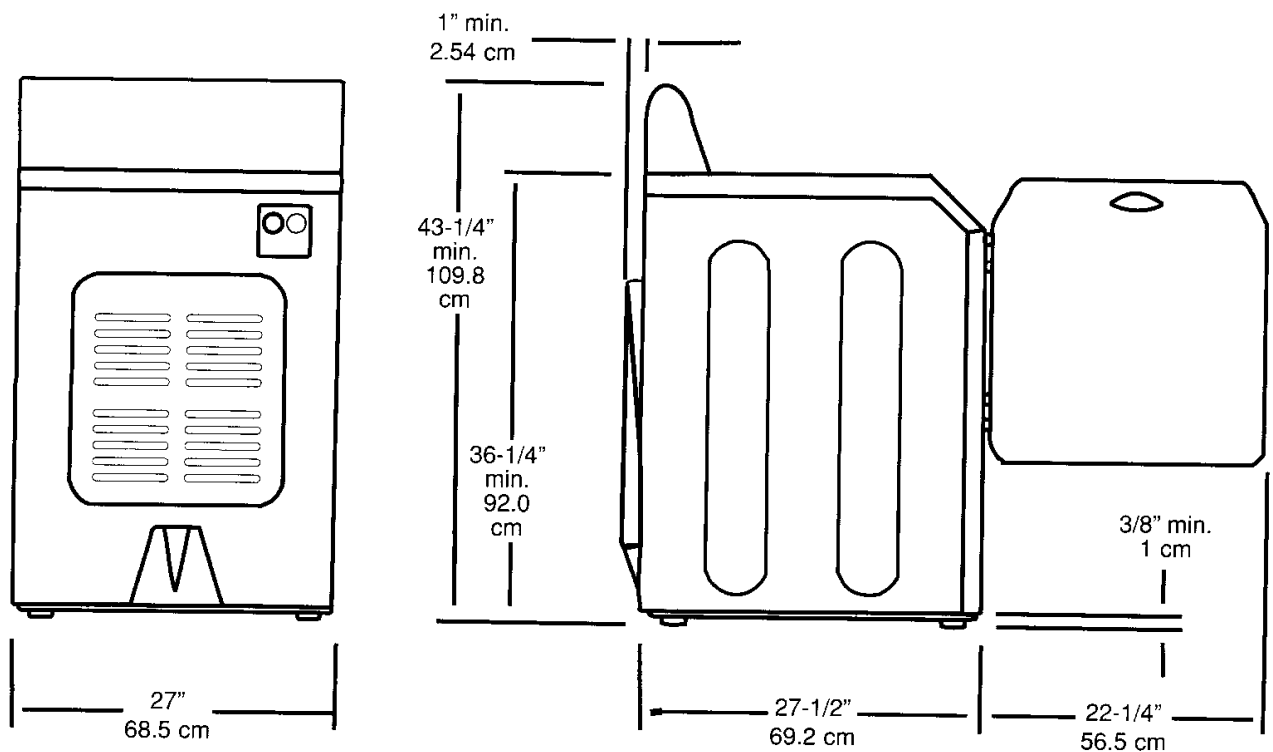
Washer and screw for external ground (if required)



4 rubber feet for legs



CABINET DIMENSIONS

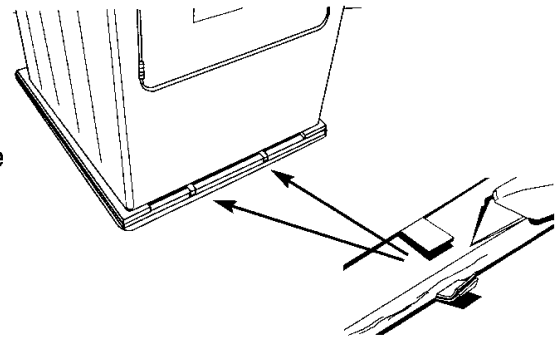


STEP 1

PREPARE WASHER

1. Cut both lower shipping straps where they wrap around the crate bottom.

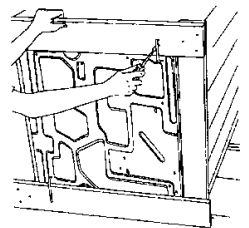
DO NOT BE ALARMED as the tub will jump up when the last strap is cut.



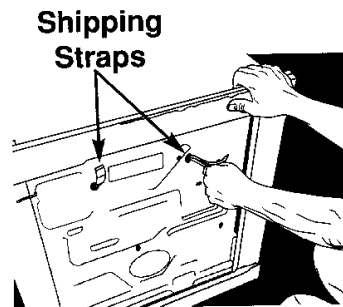
2. Carefully remove any packaging materials from the outside of the washer. Set aside two corner posts for installation. **IMPORTANT:** Notice that the hoses and power cord are tied up with two red upper shipping straps on the rear of the machine. The upper straps should not be cut or removed until the machine is ready to be installed.

Lay two corner posts behind the washer and gently tip the washer over on to its back.

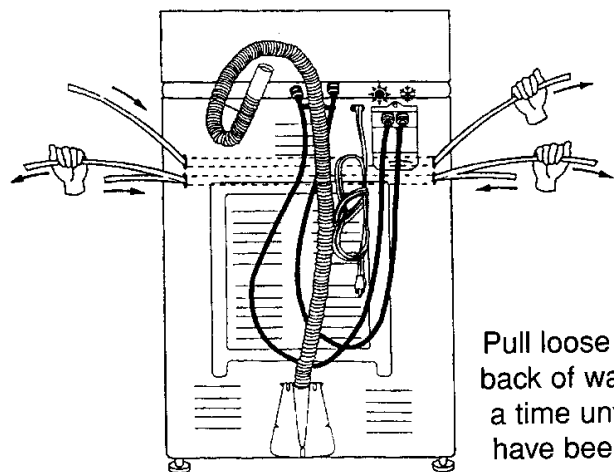
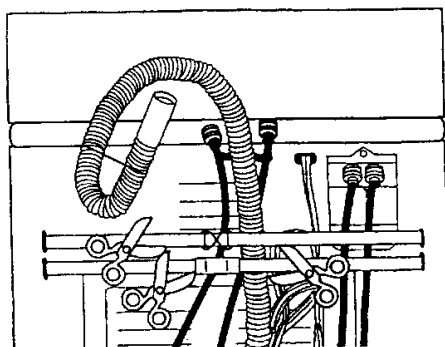
3. Remove the crate bottom from the washer by prying the crate retaining clips off with a flat blade screwdriver. **DO NOT** remove the crate bottom by applying force from the top.



4. Pull loose shipping straps from the bottom of the washer one at a time until all straps have been removed.



5. Loosen the four adjustable washer legs and lock nuts enough to fit a wrench on to the lock nuts. Install vinyl feet found in installation package. Feet can be more easily installed when immersed in hot water before installing. Carefully raise the washer back to an upright position.
6. At the installation site, locate the metal buckles attached to the red upper shipping straps at back of washer. Carefully cut away straps near both buckles, completely removing both buckles from the washer.



STEP 2

INSTALL THE WASHER

1. Place the drain hose in the drain facility. To change drain hose direction or prevent hose from collapsing or becoming damaged, turn the end of the hose while holding the base of the hose stationary.

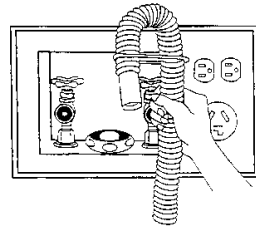
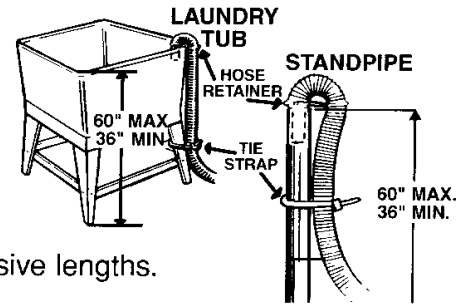
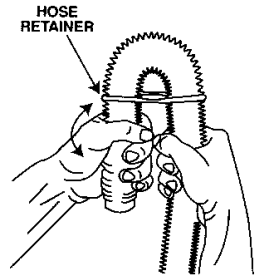
Be sure an air-tight connection is **NOT** made between the drain hose and the standpipe. Standpipe must be at least 24" high. 36" height is recommended.

NOTE: If drain standpipe is in excess of 5 feet above floor level, a drain hose extension kit (Part #12001660) will need to be installed. If drain standpipe is in excess of 10 feet above floor level, a pump accessory kit (Part #12001674) may need to be installed.

NOTE: Caution must always be exercised to avoid collapsing or damaging the drain hose. For best performance the drain hose should not be restricted in any way, through elbows, couplings or excessive lengths.

Route drain hose through the drain hose clip on the rear wall of washer.

For installations where the drain hose cannot be conveniently elevated to at least 24", the drain hose must be supported by the drain hose clip on the back of the washer.

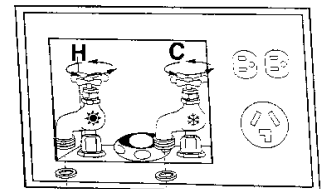
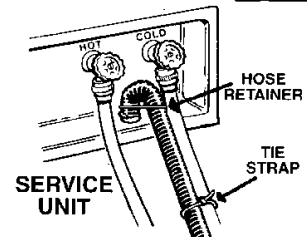


2. Install one screen strainer and washer on the inside of each fill hose at the faucet. The dome on the screen strainer must point towards the faucet. Install one rubber washer at the machine end inside each fill hose.

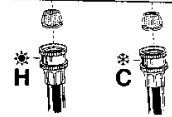
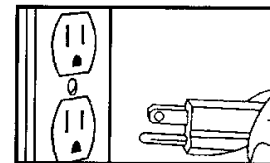
3. Thread the inlet hoses with the screen washer to the HOT and COLD faucet connections. Make sure the hose marked "HOT" is attached to the HOT faucet. Tighten by hand until snug and then 2/3 of a turn with pliers. **DO NOT OVERTIGHTEN.** Repeat step for the machine connections on the back of the unit.

Turn on "HOT" and "COLD" water supply and check all connections at the water valve and the faucet for leaks.

NOTE: Accessory inlet hoses are available in various lengths up to 10 feet.

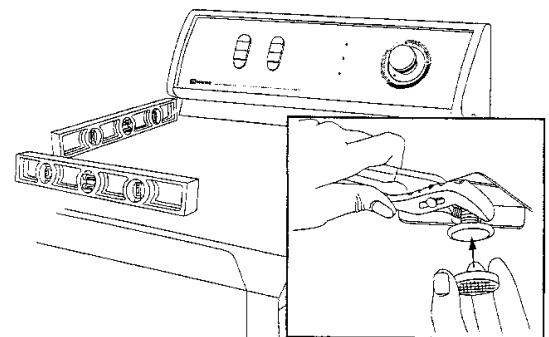


4. Plug power cord into a grounded 120 volt 60 Hz approved electrical service protected by a 15 amp fuse or comparable circuit breaker. This washer is grounded through the third prong of the power cord when plugged into a three prong grounded receptacle.



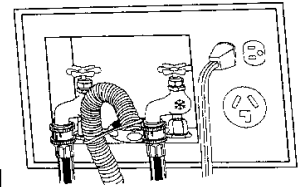
5. Slide washer into position. **Make sure the drain hose remains routed straight through the drain hose clip without collapsing or damaging.** **NOTE: the washer must be leveled on all 4 sides. To properly level a machine, the top cover and the front panel must be securely fastened. A carpenter's level should be used on all 4 corners of the top cover. It's a good idea to check for level again after the first dozen washes and re-level if necessary.**

6. Level washer by turning the leveling legs in or out as necessary. When the washer is level, **tighten the leveling leg lock nuts up against the base of the washer.**



FINAL INSTALLATION CHECKLIST

- Instruction and Installation Kit have been removed from tub.
- Shipping straps have been removed.
- Washer is plugged into electrical outlet and is properly grounded.
- Water hoses are connected to the faucets with inlet screens and washers.
- Water is turned on and checked for leaks at faucet and water valve connections.
- Drain hose is properly located into drain facility and is not collapsed or damaged.
- Washer has been properly leveled. All legs should be firmly on the floor and leveling leg lock nuts **MUST** be tightened.
- Washer fills properly on all temperature selections.
- Test for proper operation by running the washer through a complete cycle.



MAH5500B

1. Press "Cotton/Sturdy" to turn the machine on.
2. Arrow up to select "Hot/Cold" wash/rinse temperature.
3. Press "Start/Pause".
4. Verify the washer is filling with hot water.
5. Verify the washer stops filling.
6. Press "Start/Pause" to pause the cycle.
7. Select "Rinse"; press "Start/Pause" to resume the cycle.
8. Verify the washer is filling with cold water.
9. Verify the washer stops filling.
10. Press "Start/Pause" again; select "Spin"; press "Start/Pause" to resume the cycle.
11. Verify the washer spins. This will take several minutes, the machine will first drain and distribute the clothes.
12. Pull on the door to make sure that it has locked.
13. Allow the cycle to finish, verify that the door has unlocked at the end of the cycle.

MAH7500

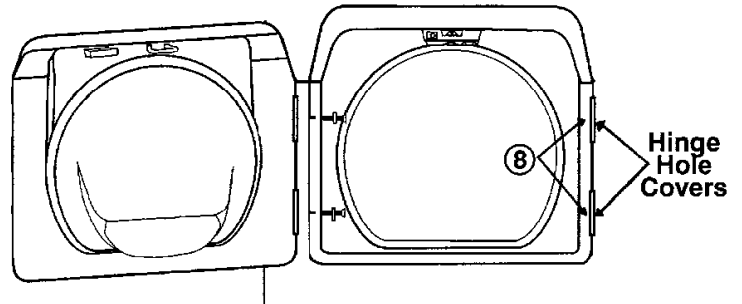
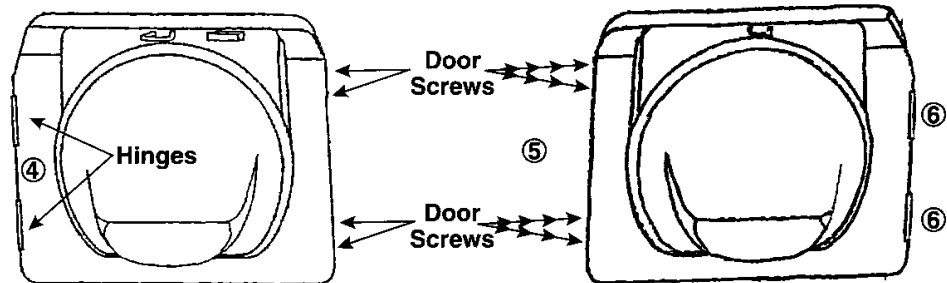
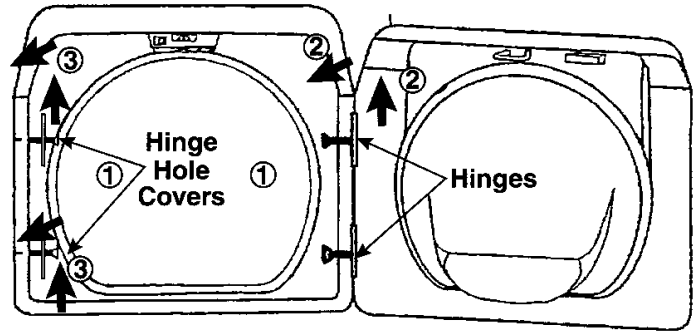
1. Press "Home"; select "Cotton/Sturdy"; "Hot Wash/Cold" Rinse".
2. Press "Start/Pause".
3. Verify the washer is filling with hot water.
4. Verify the washer stops filling.
5. Press "Start/Pause".
6. Press "Off".
7. Press "Home"; select "More Cycles" then select "Cold Rinse & Spin"; press "Start/Pause" to resume the cycle.
8. Verify the washer is filling with cold water.
9. Verify the washer stops filling.
10. Press "Start/Pause".
11. Press "Off".
12. Press "Home"; select "More Cycles", then select "Spin"; press "Start/Pause" to resume the cycle.
13. Verify the washer spins. This will take several minutes, the machine will first drain and distribute the clothes.
14. Pull on the door to make sure it has locked.
15. Allow the cycle to finish, verify that the door has unlocked at the end of the cycle.

Make any corrections necessary to properly complete the installation.

DOOR REVERSAL

Clothes washer door swing direction can be changed by following this procedure.

1. Swing door fully open and support it. Remove the center screw from the hinges and the hinge covers. A total of four screws are removed.
2. Lift the door upward and then pull outward. The door and its hinges should disengage from the cabinet. If the hinges seem to bind, press the plastic area near the hinge toward the hinge.
3. Remove the hinge covers by pulling upward and then outward, just like the hinges.
4. Remove the screws that mount the hinges to the door. A total of four screws are removed.
5. Transfer the four color matched screws that attach the inner and outer door together to the other side of the door.
6. Attach the hinges to the door. Be sure that hinge is oriented so it will fit into the slots on the cabinet.
7. Remount the door onto the cabinet. Secure using the original mounting screw.
8. Mount the hinge covers to the opposite side of the door opening with their center screws. The hinge covers are not symmetrical. There is a chamfer to accommodate the mounting screw.



COLD WEATHER STORAGE

The following precautions should be taken if a washer is to be stored, after use, where it would be subject to freezing conditions.

1. Turn off the water supply, then remove the inlet hoses.
2. Select a fill cycle and energize the water valve by selecting a warm water setting. A few seconds of fill is sufficient.
3. Disconnect from electrical supply.
4. Remove the drain hose cover from lower middle of cabinet back.
5. Lower the drain hose to floor level and tilt washer backwards to remove water from the drain hose and pump.
6. Re-install the drain hose cover.

REQUIREMENTS

ELECTRICAL

120 Volt 60 Hz 15 AMP Fuse or Circuit Breaker

Individual branch circuit serving only the washer is recommended.

The washer is equipped with a power cord.

NEVER USE AN EXTENSION CORD.

GROUNDING

ELECTRICAL GROUND IS REQUIRED ON THIS APPLIANCE.

Appliance is equipped with a power cord having a 3-prong grounding plug for use in a properly installed and grounded outlet.



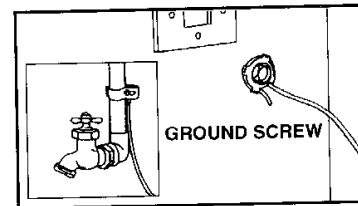
- Improper connection of the equipment-grounding conductor can result in a risk of electrical shock. Check with a qualified electrician or serviceman if you are in doubt as to whether the appliance is properly grounded. Do not modify the plug provided with the appliance – if it will not fit the outlet, have a proper outlet installed by a qualified electrician.

IMPORTANT SAFETY PRECAUTIONS

- To prevent unnecessary risk of fire, electrical shock or personal injury, all wiring and grounding must be done in accordance with the National Electrical Code ANSI/FNPA, No. 70-Latest Revision and local codes and ordinances. It is the personal responsibility and obligation of the appliance owner to provide adequate electrical service for this appliance.

ADDITIONAL GROUNDING CONNECTIONS

Connect the ground wire to the back of the unit by using the wire found in the accessory kit. Secure the other end of ground wire with the clamp (also in the accessory kit) to a grounded **COLD** metal water pipe. **NOTE: Cabinet ground screw and washer are found in the customer package.**



NEVER CONNECT GROUND WIRE TO PLASTIC PLUMBING LINES, GAS LINES OR HOT WATER PIPES.

WATER

Water pressure of 20 to 120 p.s.i. is required to correctly fill the washer in the proper time. Pressures of less than 20 p.s.i. may cause a failure in the water valve or the fill times to be extended past what the washer controls will normally allow. The water valve may also not shut off completely.

Hot and Cold water faucets must be within 4 feet of the back of the washer for inlet hoses provided with the washer. **NOTE:** Accessory inlet hoses are available in various lengths up to 10 feet for faucets more than 4 feet from the back of the washer.

TO AVOID THE POSSIBILITY OF WATER DAMAGE, SHOULD A HOSE LEAK, ALWAYS HAVE FAUCETS ACCESSIBLE AND TURN OFF FAUCETS WHEN WASHER IS NOT IN USE.

Water heater should be set to deliver a minimum of 120° – 140° F (49° – 60° C) water to the washer.