

# Maris

Usher in a new era.



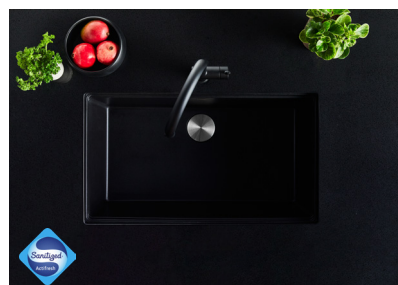
## Integrated for balance

With our easy-to-use integrated ledge system, you'll accomplish more with your sink while making the most of your surrounding counter space. Custom fit cutting boards, roller mats, and colanders are designed to keep all your kitchen tasks within reach.



## Wash, prep, work, and life

Maris sinks feature deep-capacity bowls that can easily accommodate baking trays, pots, and pans. These generous-sized sinks are available in seven color hues to create a clean, sophisticated look.



## A fresh start in every detail

Maris granite sinks are enhanced with Sanitized® Technology, which works behind the scenes to neutralize odors and reduce bacteria and microbe growth by 99%. Designed to withstand scratches, stains, and high temperatures, your sink will retain its elegance for years.



# MARIS

## GRANITE 33" SINGLE BOWL SINK Model MAG61031

### TECHNICAL FEATURES

Overall Sink Size (OD)	33" x 22"
Bowl Size (ID)	31½" x 16 <sup>11</sup> / <sub>16</sub> "
Bowl Depth (ID)	9½"
Corner Radius	16mm
Minimum Cabinet Size	36"
Installation Type	Topmount
Weight	39 lbs.
Warranty	Limited Lifetime

### AVAILABLE FINISHES

 Champagne MAG61031-CHA 114.0686.940	 Onyx MAG61031-ONY 114.0686.983
 Stone Grey MAG61031-SHG 114.0686.986	 Oyster MAG61031-OYS 114.0686.984
 Polar White MAG61031-PWT 114.0686.985	 Matte Black MAG61031-MBK 114.0686.981
 Mocha MAG61031-MOC 114.0686.982	

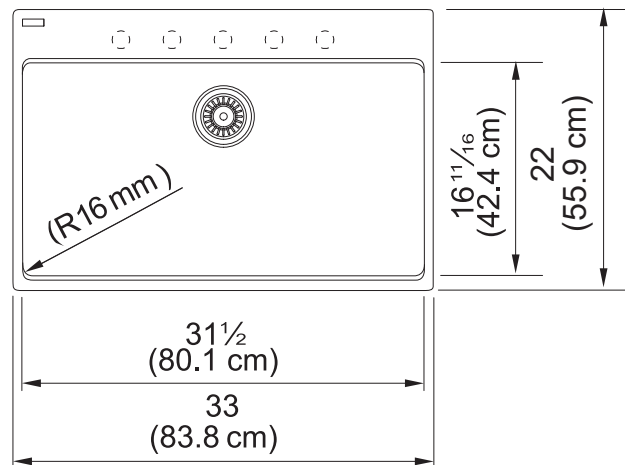
### OPTIONAL ACCESSORIES

Bottom Grid MA2-31-36S 112.0687.991	Roller Mat MA2-31RM 112.0080.355	Colander PX-70S 112.0066.060
Cutting Board MA2-40S 112.0688.102	Drain Cover RNDCVR 112.0532.169	
Colorline Strainer 900-XXX (xxx represents color)	Colorline Flange WD-900-XXX (xxx represents color)	

Product Image



Dimensional Drawing



5 pre-scored holes for faucet and accessories

