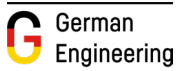


SW5291

Freestanding / Semi Built-in

LIEBHERR

Refrigeration and Freezing



home.liebherr.com

SW5291

Energy consumption (kWh / y)	256
Estimated Yearly Energy Cost in US \$	36
Sound rating dB(A)	37
Total capacity cu.ft. (l)	10.7 (304)
Wine compartment capacity cu. ft. (l)	6 (171)
Freezer capacity cu.ft. (l)	4.7 (133)
Max No. of Bordeaux bottles (0.75cl)	44
Defrost type	Automatic
Number of wine racks	6 (4 of telescopic rails)
Number of FrostSafe drawers	4
Electronic control	Touch & Swipe display
Wine temperature range °F (°C)	41 to 68°F (5 to 20°C)
Freezer temperature range °F (°C)	5 to -18°F (-15 to -28°C)
Defrost type	Automatic
Interior light	LightColumn/ LED in door
IceMaker	Fixed water connection
Ice cube output lbs. (kg)/24h	2.6 (1.2)
Ice cube stock lbs. (kg)	11.9 (5.4)
Door Hinges	Left/ reversible

Product dimensions

in inch (H / W / D)	79 1/16" / 23 1/2" / 26 9/16"
in cm (H / W / D)	185.5 / 59.7 / 67.5

Cut out dimensions

in inch (H / W / D)	74" / 24" / 24"
in cm (H / W / D)	188 / 60.9 / 60.9
Net weight lbs. (kg)	218.3 (99)
Voltage V / Hz	115/60

This model can be installed Side-by-Side with SRB5290 along with the original door swing

* Energy Cost will depend on utility rates and use. Estimated energy cost based on a national average electricity cost of 14 cents per kWh.

** Noise output – according to EN 60704-3



Accessories

FreshAir activated charcoal filter	9882460
Door opening limitation	9096414

Features

2 Zones

Experience wine perfection with 2 independent zones, individually adjustable from 41°F to 68°F, ensuring precise tempering for reds and whites, all in one appliance.

FreshAir

To ensure that your wine can mature in optimum air quality, all Liebherr wine refrigerators have an activated charcoal filter that reliably binds odors of all kinds. This means your wine will keep its pure bouquet.

UV Protect Plus

Triple protection: three protective layers consisting of tinted glass and a double layer of vacuum-deposited offer unprecedented protection from UV radiation.

Humidity Select

With HumiditySelect, you can set the humidity on the display in two levels. "Standard humidity" and "High humidity". It's so simple, and so good for your wine, because the optimum humidity ensures that corks stay moist and keep your bottles tightly sealed.

Temp Protect Plus

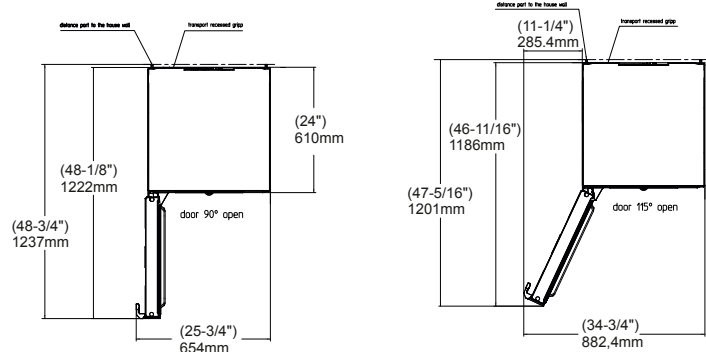
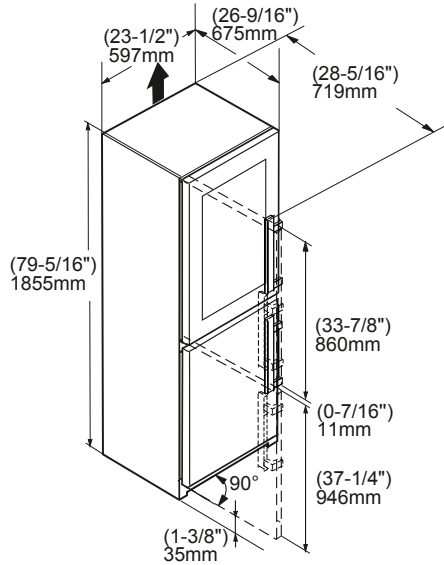
Two sensors constantly measure the temperature in the wine refrigerator. A notification is sent in the event of a critical change.

Ice Maker

Liebherr's automatic IceMaker produces perfect ice cubes and keeps a constant supply on hand for every occasion.

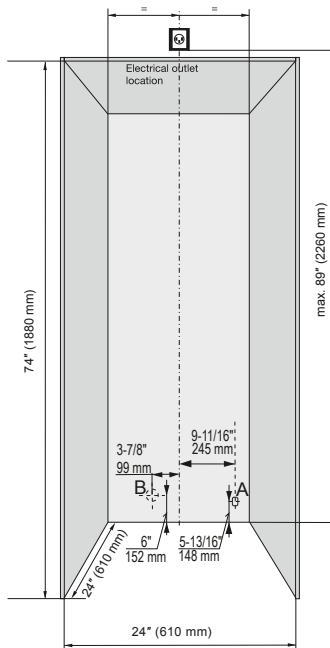
Diagrams

Product Dimensions



Allow door swing clearance at locations next to a wall. If the appliance is installed with the hinges next to a wall, the distance between the appliance and the wall must be at least 1 1/2" (40 mm). This is how far the handle protrudes when the door is open. The refrigerator door must open to a minimum of 90° to allow the crispers to open and the shelves to be removed. A 90° door limiter is available for this model as accessory. Height can be increased by 3/8" (10mm) by turning the levelling feet at the front and the height adjustable rollers at the appliance rear.

Semi built-in look – Cutout Dimensions

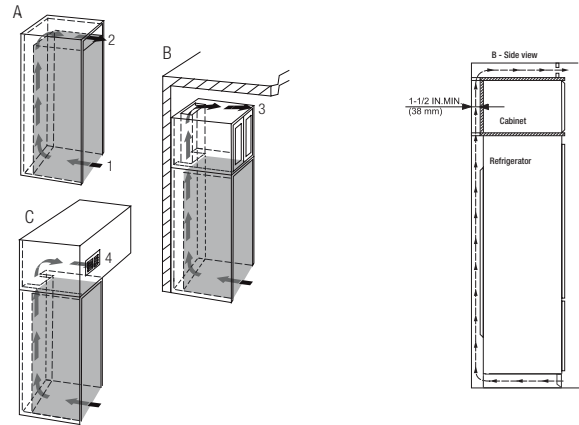


The appliances can be used freestanding or semi built-in. If semi built-in, consider the minimum cabinet opening dimensions specified on this image.

The power cord exists the rear of the appliances (A) right side and has a length of 6.5 ft (2m). We suggest the electrical outlet not to be located behind the appliance, so it is easily accessible. This can be located on top of the niche like shown on the image.

Do not install the shut-off valve for the water supply behind the appliance, to allow access to shut off without having to pull out the appliance. The water line lead out position is according to graphic (B).

Ventilation Requirements



If the appliance is integrated in a fitted kitchen, the following ventilation requirements must be met: - The spacing fins on the back of the appliance are used to ensure sufficient ventilation. These must not lie in cavities or recesses in their final installation position. - Basically, the larger the ventilation gap, the more energy the appliance saves during operation. Do not restrict the air flow.

A cross-sectional air flow of at least 31 in² (200cm²) per appliance at the airflow inlet (1) and at the airflow outlet (2).

The top ventilation space can be directed in one of the following ways:

- A. Directly over the appliance (2) with a gap between the ceiling of the unit and the cabinet
- B. Above the cabinet and below the ceiling (3).
- C. Through a vent installed in a soffit (4).

Be sure to consider the possibility of having to raise some of the leveling legs in order to level the appliance when installing. If you adjust the height of the appliance – it will effectively reduce air flow. Therefore leave yourself some room for adjustment. The appliance is designed to allow proper air flow when installed up against the wall.