



## Installation Guide

Quality, Design and Innovation



[home.liebherr.com/fridge-manuals](http://home.liebherr.com/fridge-manuals)






# LIEBHERR




# General safety instructions

## Contents

<b>1</b>	<b>General safety instructions.....</b>	<b>2</b>
<b>2</b>	<b>Setup conditions.....</b>	<b>3</b>
2.1	Setup location.....	3
2.2	Electrical connection.....	3
<b>3</b>	<b>Appliance dimensions.....</b>	<b>4</b>
<b>4</b>	<b>Transporting the appliance.....</b>	<b>4</b>
<b>5</b>	<b>Unpacking the appliance.....</b>	<b>4</b>
<b>6</b>	<b>Mounting wall spacers.....</b>	<b>4</b>
<b>7</b>	<b>Setting up the device.....</b>	<b>5</b>
<b>8</b>	<b>Setting up the appliance level.....</b>	<b>5</b>
<b>9</b>	<b>After setup.....</b>	<b>5</b>
<b>10</b>	<b>Disposal of packaging.....</b>	<b>6</b>
<b>11</b>	<b>Door hinge change.....</b>	<b>6</b>
11.1	Removing closing damper.....	6
11.2	Moving the door magnet.....	8
11.3	Loosening the cable connection.....	8
11.4	Removing the door.....	9
11.5	Moving the mechanical lock*.....	9
11.6	Moving the upper bearing parts.....	10
11.7	Moving the lower bearing parts.....	12
11.8	Moving the handles*.....	13
11.9	Installing door on the bottom.....	13
11.10	Installing the door on the top.....	14
11.11	Installing the cable connection.....	14
11.12	Aligning the door.....	15
11.13	Attaching the cover.....	15
11.14	Installing the closing damper.....	15
<b>12</b>	<b>Connecting the appliance to the power supply.....</b>	<b>16</b>

The manufacturer is constantly working to improve all types and models. Therefore, please be aware that we reserve the right to make changes to the shape, equipment and technology.

Symbol	Explanation
	<b>Read instructions</b> Please read the information in these instructions carefully to understand all of the benefits of your new appliance.
	<b>Additional information online</b> The digital manual with supplemental information can be found online by scanning the QR code on the front page of this manual or by entering the service number at <a href="http://home.liebherr.com/fridge-manuals">home.liebherr.com/fridge-manuals</a> .
	<b>Check appliance</b> Check all parts for transport damage. If you have any complaints, please contact your agent or customer service.

Symbol	Explanation
	<b>Differences</b> These instructions apply to a range of models, so there may be differences. Sections that apply to certain models only are indicated by an asterisk (*).
	<b>Instructions and results</b> Instructions are marked with a ▶. Results are marked with a ▷.
	<b>Videos</b> Videos about the appliances are available on the YouTube channel of Liebherr-Hausgeräte.

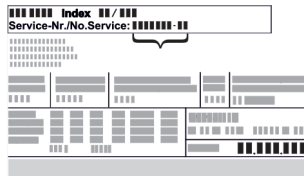
### Open-source licenses:

The appliance includes software components that make use of open-source licenses. You can find information on the open-source licenses to be used here: [home.liebherr.com/open-source-licenses](http://home.liebherr.com/open-source-licenses)

## 1 General safety instructions

- Please keep this assembly manual in a safe place so you can refer back to it at any time.
- If you pass the appliance on, please hand this assembly manual to the new owner.
- Read this assembly manual before installation and use in order to use the appliance safely and correctly. Follow the instructions, safety instructions and warning messages included at all times. They are important for ensuring you can operate and install the appliance safely and without any problems.
- First read the general safety instructions in the “General safety instructions” section of the **operating instructions**, which accompany these installation instructions, and follow them. If you cannot find the **operating instructions**, you can download the **operating instructions** from the internet by entering the service number at [home.liebherr.com/fridge-manuals](http://home.liebherr.com/fridge-manuals). The

service number can be found on the serial



tag:

- **Observe the warning messages and other detailed information in the other sections when installing the appliance:**

	DANGER	indicates a hazardous situation, which if not avoided, will result in death or serious injury.
	WARNING	indicates a hazardous situation, which if not avoided, could result in death or serious injury.
	CAUTION	indicates a hazardous situation, which if not avoided, will result in minor or moderate injury.
	NOTICE	indicates a hazardous situation, which if not avoided, could result in damage to property.
	Note	indicates useful advice and tips.

## 2 Setup conditions

### WARNING

Risk of fire due to moisture!

If live parts or the power cord get wet, this can cause a short circuit.

- ▶ The appliance is designed for use in enclosed spaces. Do not operate the appliance in open space or in damp areas or where there is spray.

### 2.1 Setup location

#### WARNING

Leaking refrigerant and oil!

Fire. The refrigerant contained within the appliance is environmentally friendly, but flammable. The oil contained within the appliance is flammable. Escaping refrigerant and oil can ignite if they are of high enough concentration and are exposed to an external heat source.

- ▶ Do not damage the pipelines of the coolant circuit and the compressor.

- Do not setup the appliance in direct sunlight, next to an oven, radiator or similar.
- The best place to set up the appliance is a dry and well ventilated room.
- If the appliance is set up in a very humid environment, condensation can form on the outside of the appliance.  
Always ensure sufficient airflow and ventilation in the setup location.
- The more refrigerant there is in the appliance, the larger the space it is installed in must be. If the space is too small, any leak may create a flammable mixture of gas and air. For every 8 g (0.28 oz) of refrigerant, the installation space must be at least 1 m<sup>3</sup> (35.5 ft<sup>3</sup>). Specifications on the refrigerant in the appliance can be found on the serial tag plate inside the appliance.
- The floor of the setup location must be horizontal and even.
- The setup location must be able to withstand the weight of the appliance plus the weight when stocked to maximum capacity.
- Use in hazardous areas is not permitted.

### 2.2 Electrical connection

#### WARNING

Danger of fire due to incorrect positioning!

- ▶ Make sure the power supply cable is not trapped under the appliance when you position the appliance.
- ▶ Position the appliance so that it does not touch the plug or power supply cable.
- ▶ Do not connect any appliances to sockets in the area to the back of the appliance.
- ▶ Do **not** place and operate power strips/power distributors and other electronic devices (such as halogen transformers) at the back of the appliances.

# Appliance dimensions

## 3 Appliance dimensions

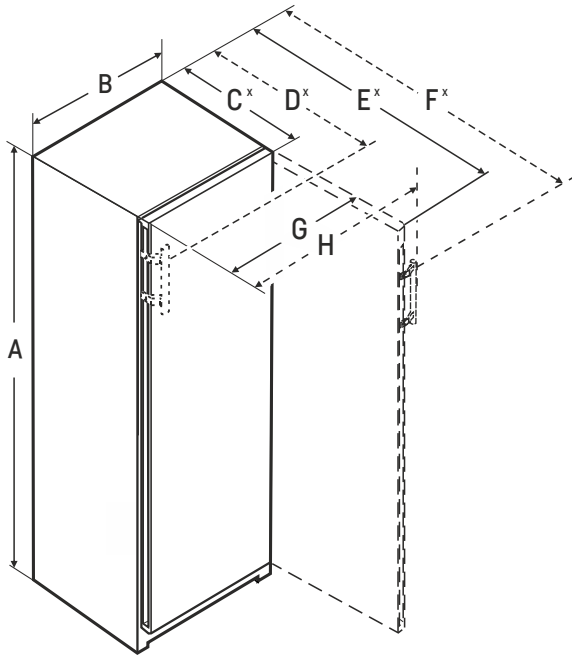


Fig. 1

- A = appliance height including legs/rollers/hinges
- B = appliance width without handle
- C = appliance depth without handle
- C\* = appliance depth with handle
- D = appliance depth with open door without handle
- D\* = appliance depth with open door with handle
- E\* = appliance width with open door without handle
- F\* = appliance width with open door with handle
- G = door thickness
- H = door depth

	W5250
A	1854 mm (73 in)
B	597 mm (23 1/2 in)
C	675 mm (26 9/16 in) <sup>x</sup>
D	719 mm (28 5/16 in) <sup>x</sup>
E	1230 mm (48 7/16 in) <sup>x</sup>
F	1237 mm (48 11/16 in) <sup>x</sup>
G	609 mm (24 in)
H	653 mm (25 11/16 in)

	W5270	Wgb7470
A	1854 mm (73 in)	2013 mm (79 1/4 in)
B	597 mm (23 1/2 in)	697 mm (27 7/16 in)
C	678 mm (26 11/16 in) <sup>x</sup>	764 mm (30 1/16 in) <sup>x</sup>
D	–	–
E	1231 mm (48 7/16 in) <sup>x</sup>	1416 mm (55 3/4 in) <sup>x</sup>

	W5270	Wgb7470
F	–	–
G	613 mm (24 1/8 in)	713 mm (28 1/16 in)
H	–	–

<sup>x</sup> For appliances with the wall spacers included, the dimension increases by 15 mm (5/8 in). (see 6 Mounting wall spacers)

## 4 Transporting the appliance



### WARNING

There is a risk of injury from pieces of broken glass.\* When transporting at an altitude of more than 1500 m (4,921.26 ft), the glass panes of the door may break. This can result in sharp-edged fragments, which can cause serious injuries.

- ▶ Adopt suitable protective measures.

### Observe the following when transporting the appliance:

- ▶ Transport the appliance upright.
- ▶ Use two people when transporting the appliance.

### During the first use:

- ▶ Transport the appliance packaged.

### During appliance transport or at first use (e.g. when moving or cleaning):

- ▶ Empty the appliance.
- ▶ Secure the door against undesired opening.

## 5 Unpacking the appliance

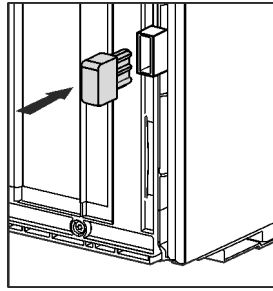
If the appliance is damaged check with the supplier immediately before connecting it.

- ▶ Check the appliance and packaging for damage during transport. If you suspect any damage, please contact your supplier immediately.
- ▶ Remove all materials that could prevent it from being installed properly or prevent proper ventilation from the back or the side panels of the appliance.
- ▶ Remove all protective films from the appliance. Do not use sharp or pointed objects for this.

## 6 Mounting wall spacers

With the wall spacer, your appliance will achieve the specified energy consumption and no condensation will form in high ambient humidity. The appliance will work properly without using the wall spacer, but with a slightly higher energy consumption.

If you use the wall spacer, the appliance depth increases by approx. 15 mm (5/8 in).



- ▶ Appliance with the wall spacer brackets provided: Install the wall spacer bracket on the rear side of the appliance on the left and right.

## 7 Setting up the device

### CAUTION

Risk of injury due to heavy appliance!

- ▶ Have two people transport the appliance to its installation site.

### CAUTION

Risk of injury and damage!\*

The door can strike against the wall, which would damage it. In the case of glass doors, the broken glass may cause injury!

- ▶ Protect the door from striking against the wall. Place a door stopper, e.g. a felt stopper, on the wall.
- ▶ A device that limits door opening to 90° can be ordered from a qualified service provider.

### WARNING

Risk of fire from short circuit!

- ▶ When setting up the appliance: Do not kink, trap, or damage the power cable.
- ▶ Do not operate the appliance with a defective power cable.

### WARNING

Danger of injury and damage due to the appliance being unstable!

The appliance can tip over.

- ▶ Secure the appliance as described in the instructions.

### WARNING

Danger of fire and damage!

- ▶ Do not place devices that give off heat, e.g. microwaves, toasters, etc. on the appliance.

Make sure that the following requirements are fulfilled:

- Only move the appliance when it is not loaded.
- Always have someone to help when installing the appliance.
- ▶ Remove the power cable from the enclosed package.
- ▶ Fully insert the IEC socket of the power cable completely into the appliance plug on the rear side of the appliance. Ensure the IEC socket is firmly in place.
- ▶ If necessary, use a string to route the power plug to a socket outlet that is freely accessible.

## 8 Setting up the appliance level

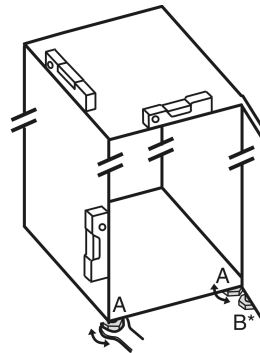


Fig. 2

- ▶ Unscrew the adjustable feet Fig. 2 (A) using the open-end wrench provided and a spirit level until the appliance is firmly aligned and level.

### CAUTION

Risk of injury or damage from the appliance tipping or the door falling open!

If the additional adjustable foot on the base support is not correctly positioned on the floor, there is a risk of the door falling open or the appliance tipping. This can lead to injury or property damage.

- ▶ Unscrew the additional adjustable foot on the swap bearing block as per the instructions.

- ▶ Unscrew the adjustable foot Fig. 2 (B) at the swap bearing block using the open-end wrench provided until it rests on the floor.

- ▶ Turn the adjustable foot Fig. 2 (B) another 90°.

- ▷ Appliance is aligned.

## 9 After setup

- ▶ Pull off the protective film from the outside of the housing.
- ▶ Pull off the protective film from the trim strips.
- ▶ Pull off the protective film from the trim strips and drawer fronts.
- ▶ Take off the protective film from the stainless steel rear panel.
- ▶ Remove all transport packaging.
- ▶ Clean the appliance. (see operating instructions)

## Disposal of packaging

- ▶ Note the type (model, number), appliance designation, appliance/serial number, purchase date and dealer's address.

## 10 Disposal of packaging



### WARNING

Danger of suffocation from packaging materials and films!

- ▶ Do not allow children to play with packaging materials.

The packaging is made from recyclable materials:

- Corrugated card/cardboard
  - Parts made of foamed polystyrene
  - Films and bags from polyethylene
  - Packing bands from polypropylene
  - Wood frame nailed together with a polyethylene window\*
- ▶ Take the packaging material to an official collection point.

## 11 Door hinge change

### Tool

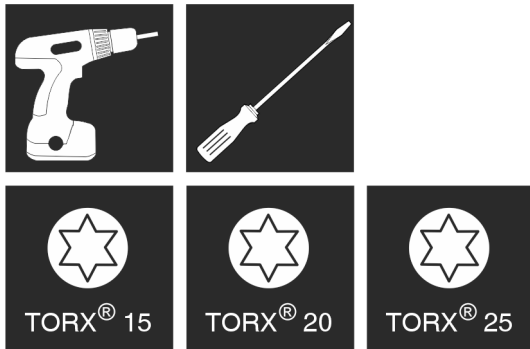


Fig. 3



### WARNING

Risk of injury if the door is not reversed correctly!

- ▶ Have a specialist change the door hinge.



### WARNING

Risk of injury and material damage due to heavy door!

- ▶ Only perform the conversion if you can carry a weight of 25 kg (55.11 lb).
- ▶ Always have someone help you carry out the conversion.

### NOTICE

Live parts!

Damage to electrical components.

- ▶ Pull the power plug before changing the door hinges.

### NOTICE

Risk of damage due to colliding doors!

Damage to the appliances if set up Side-by-Side. If you set up two appliances in a specific Side-by-Side arrangement, the door hinges of both appliances are specified from the factory.

- ▶ Side-by-Side setup: Do not change the door hinge.

For appliances **with closing damper**, the following sections apply:

- For appliances **with** closing damper
- For all appliances

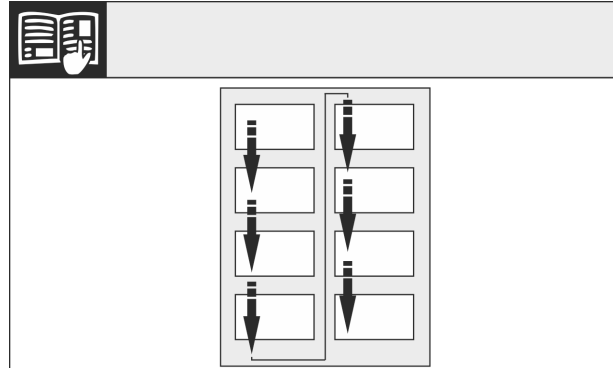


Fig. 4

Observe the reading direction.

### 11.1 Removing closing damper

**For appliances with closing dampers:**

- ▶ Open the door.

### NOTICE

Risk of damage!

If the door seal is damaged the door may not close properly and the level of cooling is insufficient.

- ▶ Do not damage the door seal with the screwdriver!

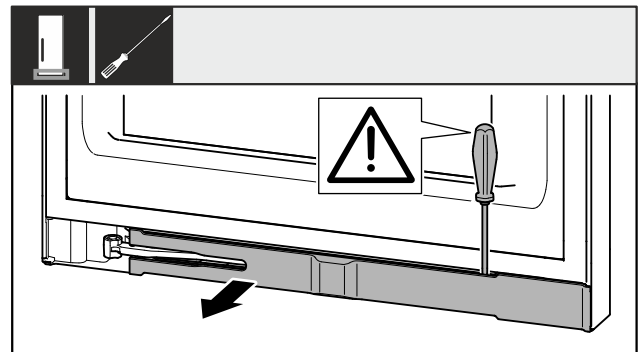


Fig. 5

- ▶ Snap out the faceplate with a slotted screw driver.
- ▶ Remove the faceplate.



### CAUTION

Crushing hazard from the folding bracket!

- ▶ Engage the locking device.

## Door hinge change

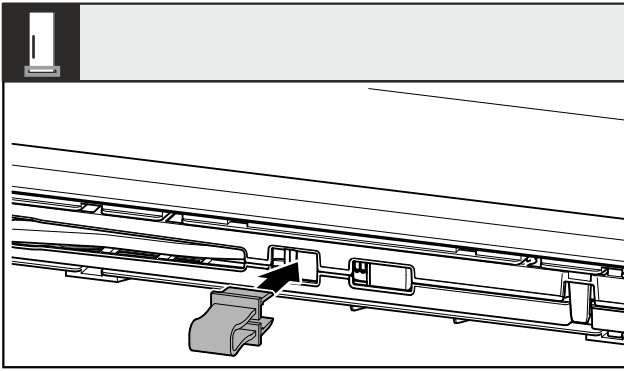


Fig. 6

- ▶ Snap the locking device into the opening.

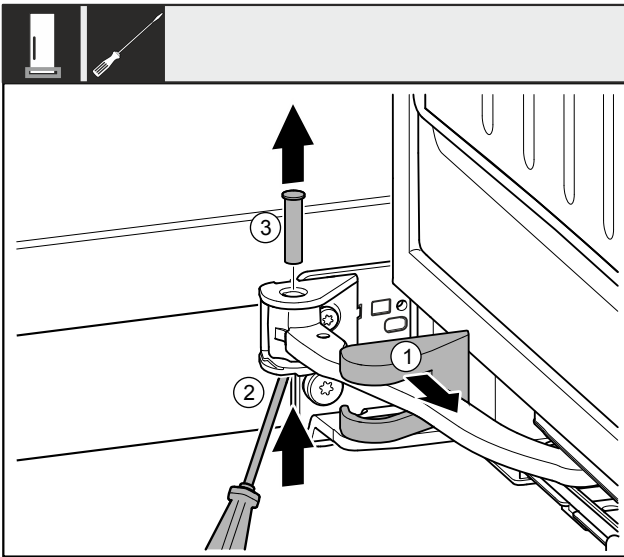


Fig. 7

- ▶ Pull off the swap bearing block cover Fig. 7 (1) and slide it along the joint.
- ▶ Use the screwdriver to lift the pin Fig. 7 (2) from the bottom.
- ▶ Pull the pin Fig. 7 (3) out from the top.

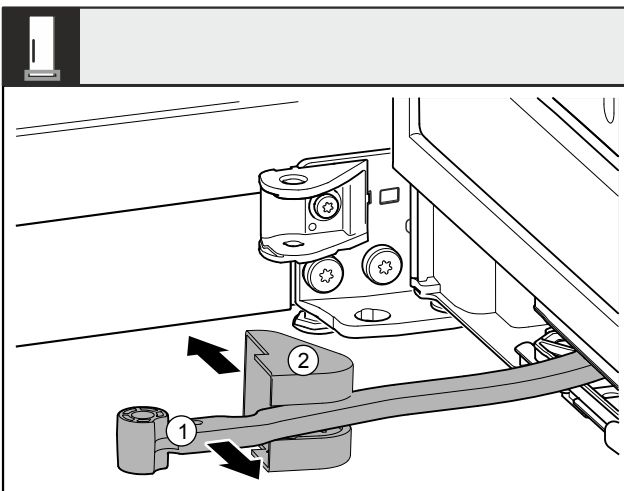


Fig. 8

- ▶ Turn the joint Fig. 8 (1) towards the door.

- ▶ Remove the swap bearing block cover Fig. 8 (2).

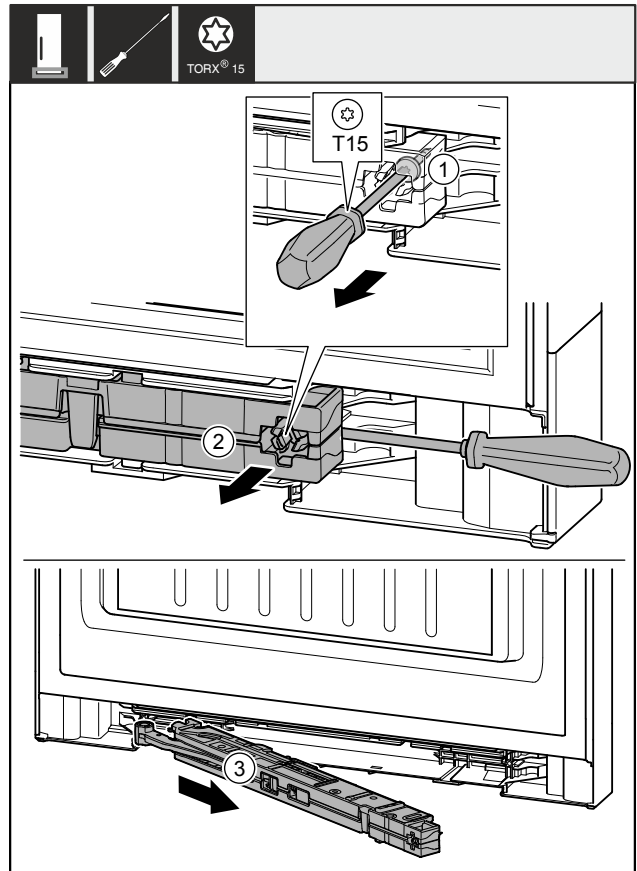


Fig. 9

- ▶ Loosen the screw Fig. 9 (1) on the closing damper unit with an approx. 14 mm (9/16 in) screwdriver.
- ▶ Use the screwdriver to lift out the closing damper unit Fig. 9 (2) on the handle side.
- ▶ Pull out the closing damper unit Fig. 9 (3).

Remove the adapter piece for appliances with a width of 700 mm (27 9/16 in) and 750 mm (29 1/2 in).\*

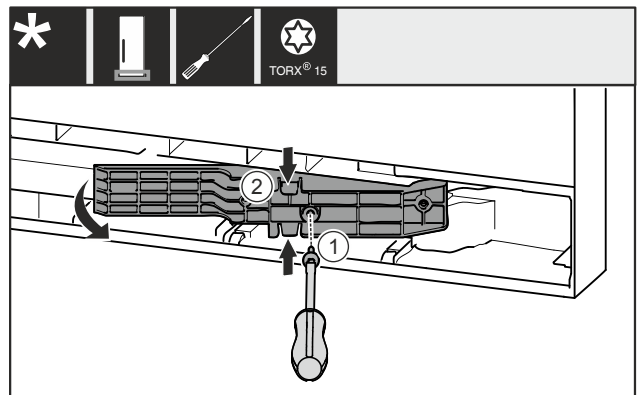


Fig. 10 \*

- ▶ Remove the screw Fig. 10 (1).\*
- ▶ Gently press the top and bottom of the adapter piece Fig. 10 (2) together and pull it out.\*

# Door hinge change

## 11.2 Moving the door magnet

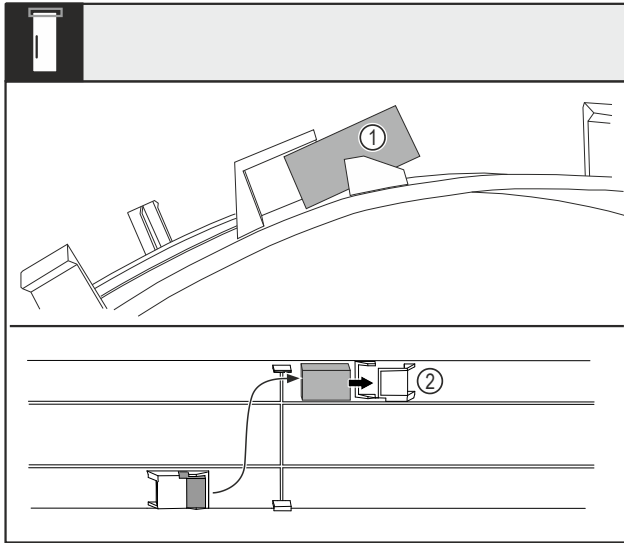


Fig. 11

- ▶ Bend the cover and pull the door magnet Fig. 11 (1) out of the harness.
- ▶ Push the door magnet into the other harness Fig. 11 (2).

## 11.3 Loosening the cable connection

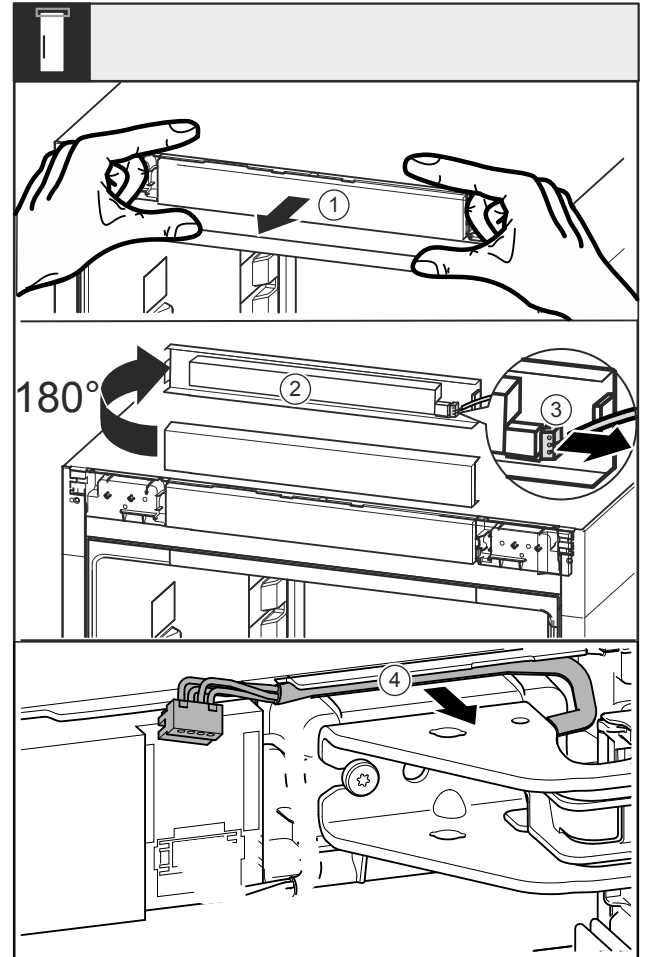


Fig. 12

- ▶ Loosen the faceplate Fig. 12 (1) toward the front.
- ▶ Turn the faceplate Fig. 12 (2) upward by 180°.
- ▶ Press the latching tab on the plug Fig. 12 (3) backwards and carefully pull out the plug.
- ▶ Loosen the cable Fig. 12 (4) above the swap bearing block from the guide.

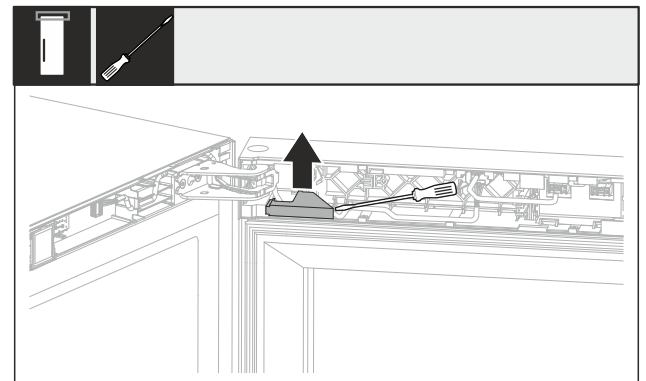


Fig. 13

- ▶ Lift the cable cover with a slotted screwdriver and pull it out.

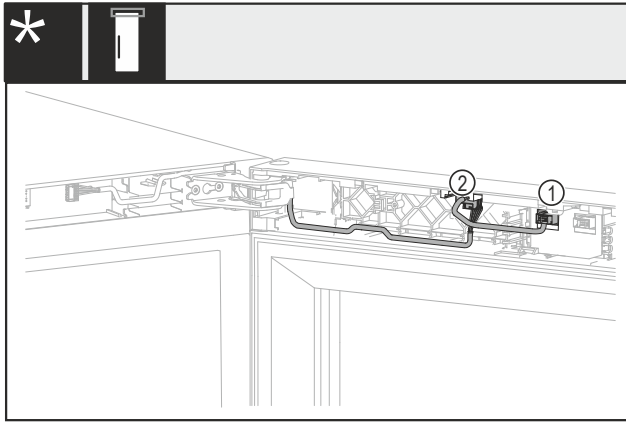


Fig. 14 Without lock or with mechanical lock

- ▶ Pull out the plug. Fig. 14 (1)
- ▶ Pull out the plug. Fig. 14 (2)

## 11.4 Removing the door

### NOTICE

Risk of damage!  
If the door seal is damaged the door may not close properly and the level of cooling is insufficient.

- ▶ Do not damage the door seal with the screwdriver!



### CAUTION

Risk of injury if the door tips out!

- ▶ Keep a steady grip on the door.
- ▶ Set the door down carefully.

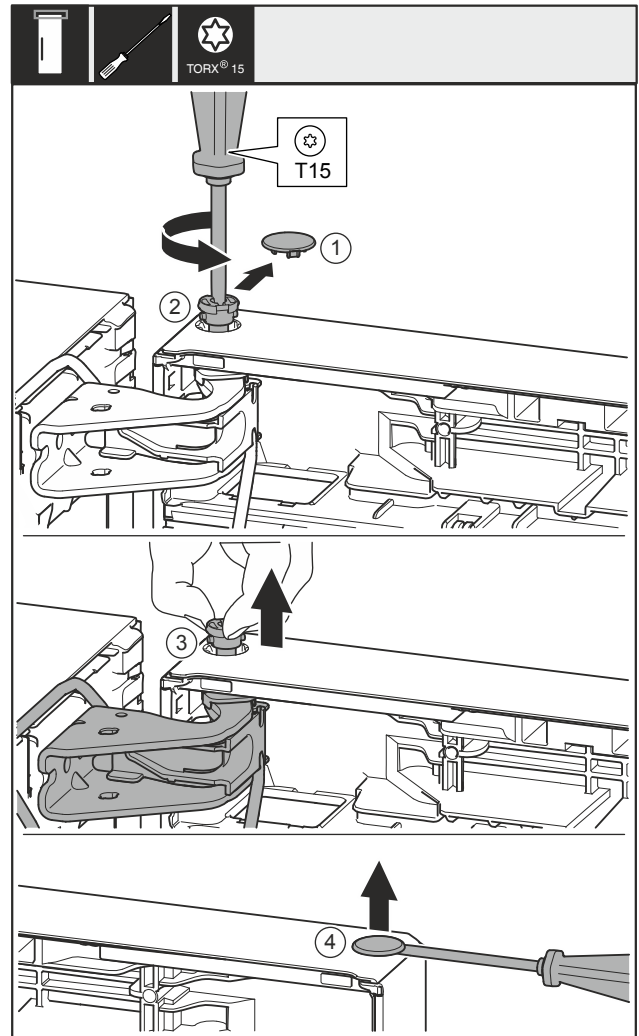


Fig. 15

- ▶ Lift out the door and place it aside.

## 11.5 Moving the mechanical lock\*

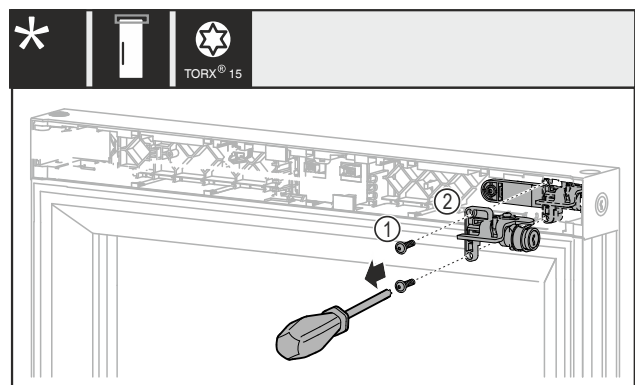


Fig. 16

- ▶ Remove the screws Fig. 16 (1).
- ▶ Remove the mechanical lock Fig. 16 (2).

## Door hinge change

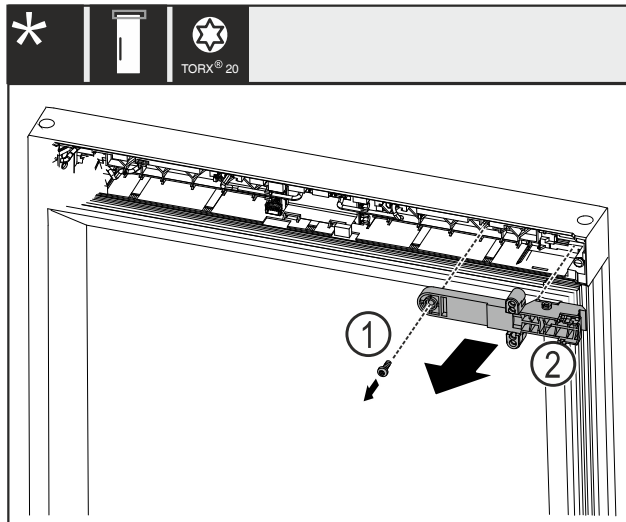


Fig. 17

- ▶ Remove the screw Fig. 17 (1).
- ▶ Remove the lock bracket retainer Fig. 17 (2).

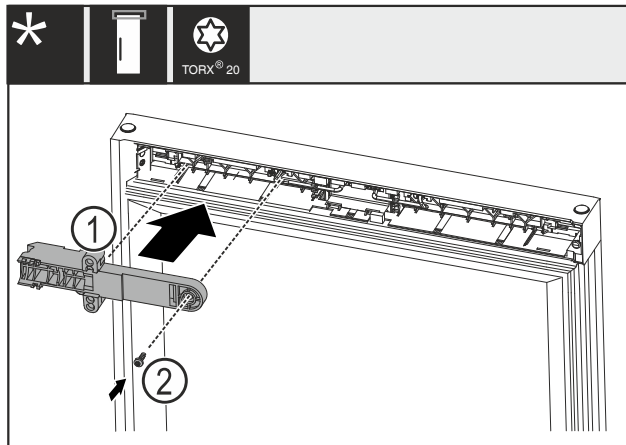


Fig. 18

- ▶ Turn the lock bracket retainer (1) by 180° and mount it to the opposite side.
- ▶ Fasten the lock bracket retainer (1) with the screw (2).

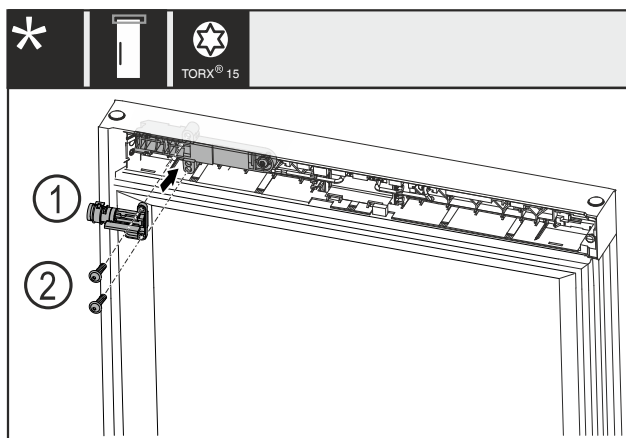


Fig. 19

- ▶ Turn the mechanical lock Fig. 19 (1) by 180° and mount it to the opposite side.

- ▶ Attach the mechanical lock Fig. 19 (1) with screws Fig. 19 (2).

## 11.6 Moving the upper bearing parts



### WARNING

Danger of injury due to door falling out!  
If the bearing parts are not screwed on tightly enough, the door may fall out. This can result in serious injuries. In addition, the door may not close causing the appliance to cool improperly.

- ▶ Screw on the bearing brackets/bearing pins tightly with 4 Nm (3 ft lb).
- ▶ Check all screws and retighten them if necessary.

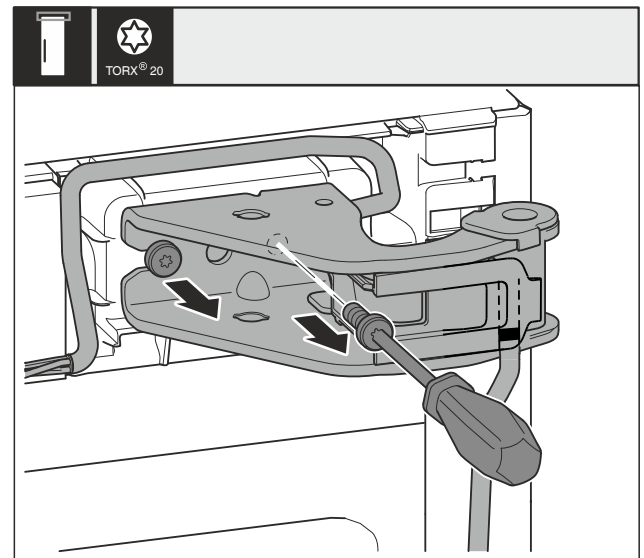


Fig. 20

- ▶ Pull out both screws with the screwdriver.
- ▶ Lift up the swap bearing block and cable and remove them.

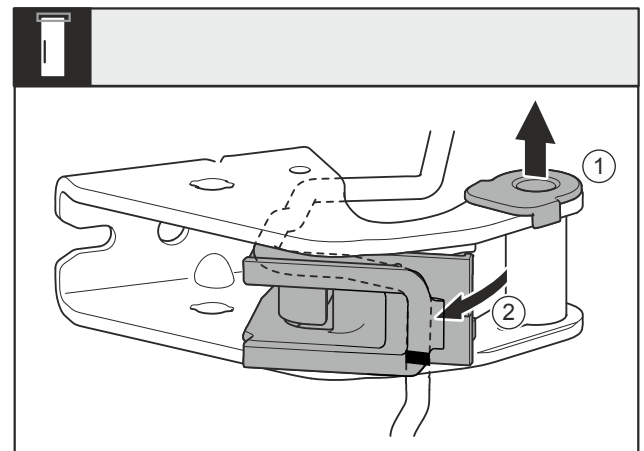


Fig. 21

- ▶ Pull out the bearing bushing Fig. 21 (1) from the guide.
- ▶ Swing out the cable bracket Fig. 21 (2).

## Door hinge change

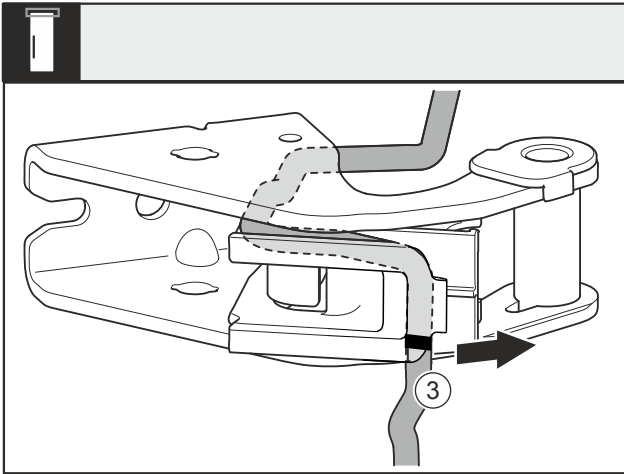


Fig. 22

- ▶ Remove the cable with the cable bracket Fig. 22 (3) from the swap bearing block.

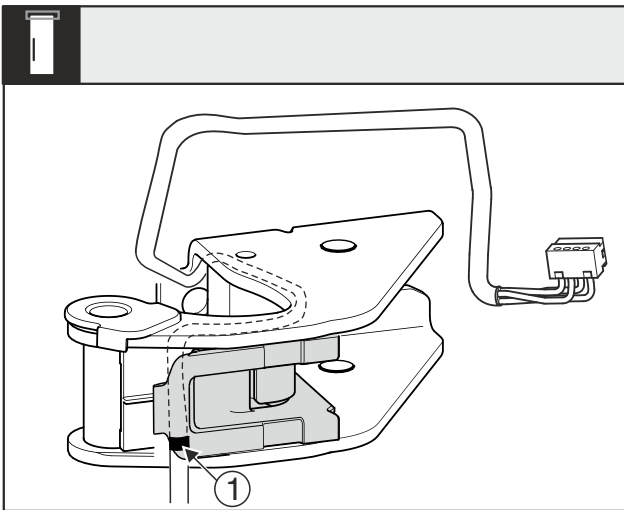


Fig. 23

- ▶ Insert the cable mirror-inverted into the upper groove of the cable holder.
- ▶ The center mark Fig. 23 (1) must be positioned on the edge of the cable bracket.
- ▶ Swing in the cable bracket.

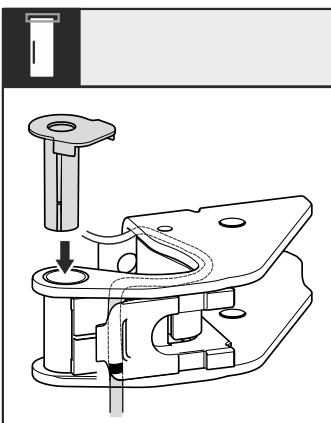


Fig. 24

- ▶ Insert the swap bearing bushing from the other side and snap it in.

### NOTICE

Danger of cable crushing!

- ▶ Pay attention to the marks when installing the cable. The cable end with the double marking must be installed in the door end piece.

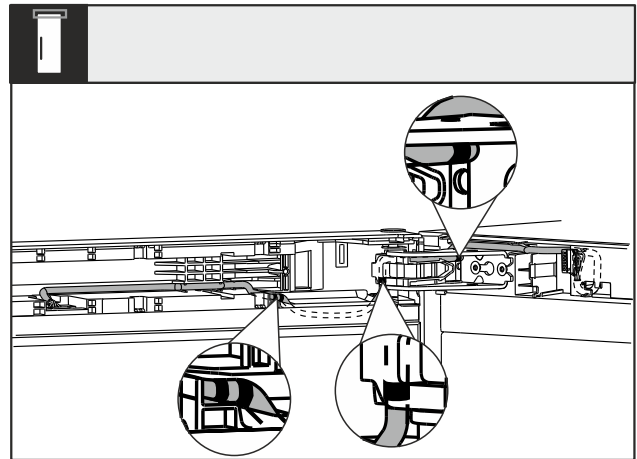


Fig. 25

After moving, the cable installation must look as depicted in the illustration.

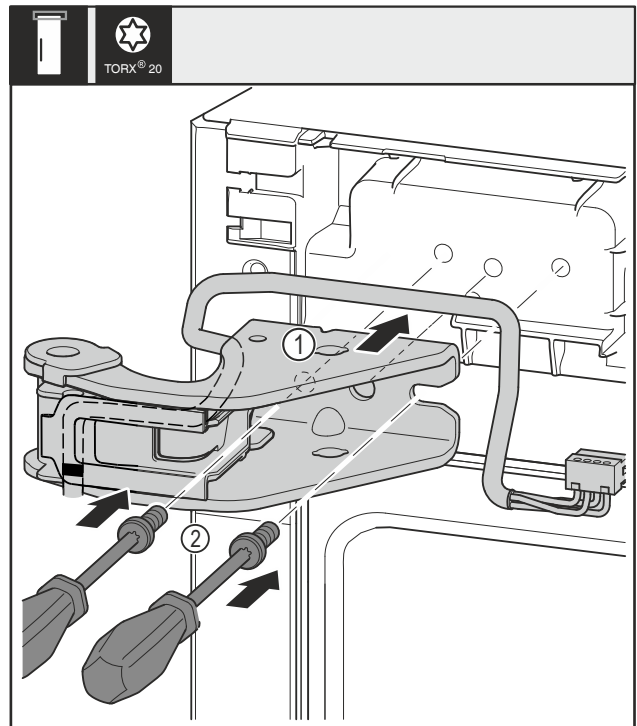


Fig. 26

- ▶ Attach the top swap bearing block Fig. 26 (1).
- ▶ Insert and tighten the screws Fig. 26 (2) with a screwdriver.

# Door hinge change

## 11.7 Moving the lower bearing parts



### WARNING

Danger of injury due to door falling out!  
If the bearing parts are not screwed on tightly enough, the door may fall out. This can result in serious injuries. In addition, the door may not close causing the appliance to cool improperly.

- ▶ Screw on the bearing brackets/bearing pins tightly with 4 Nm (3 ft lb).
- ▶ Check all screws and retighten them if necessary.

### For appliances with closing dampers:

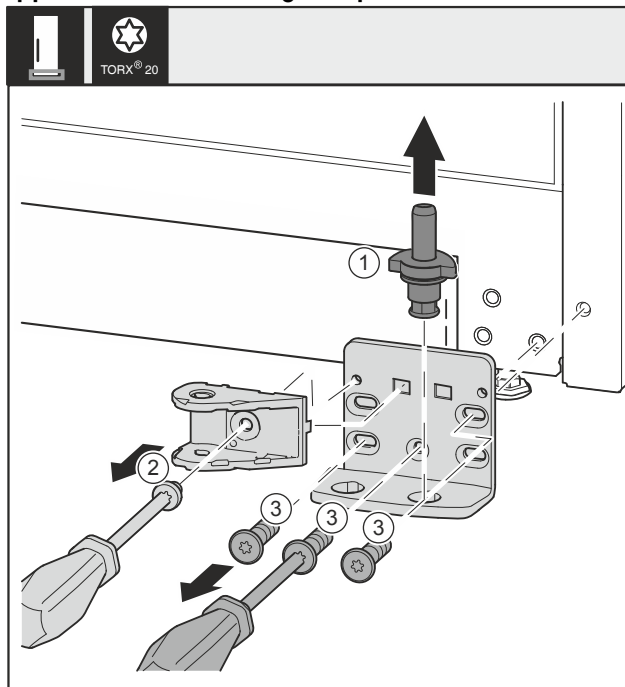


Fig. 27

- ▶ Completely pull out the bearing pin Fig. 27 (1) upward.
- ▶ Use a screwdriver to unscrew the screw Fig. 27 (2) and remove the closing damper connection.
- ▶ Use a screwdriver to unscrew the screws Fig. 27 (3) and remove the swap bearing block.

### For all appliances:

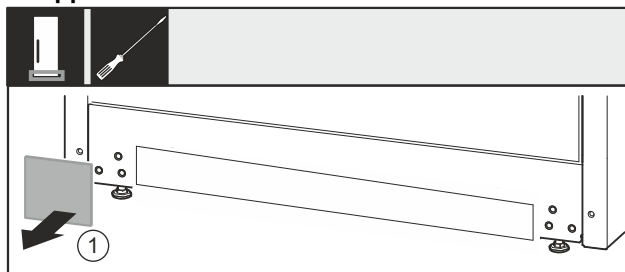


Fig. 28

- ▶ Remove the cover Fig. 28 (1).

### For appliances with closing dampers:

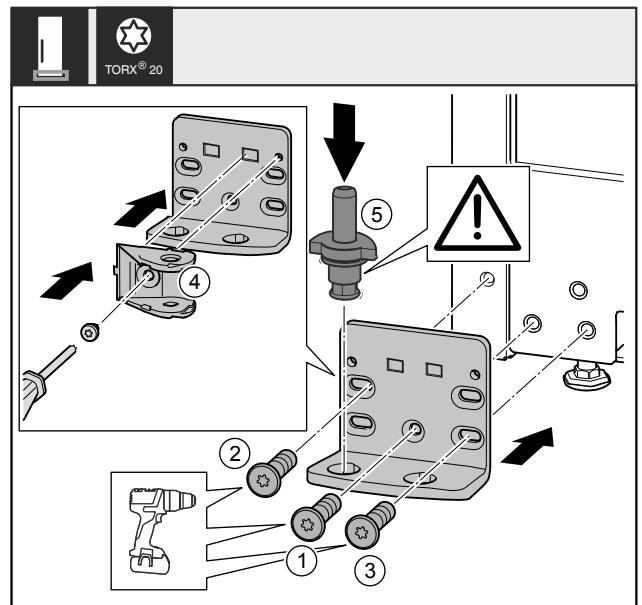


Fig. 29

- ▶ Attach the swap bearing block onto the other side and screw it on using a screwdriver. Start with the screw Fig. 29 (1) at the bottom center.
- ▶ Tighten screw Fig. 29 (2) and screw Fig. 29 (3).
- ▶ Turn the closing damper connection Fig. 29 (4) by 180°. On the other side of the swap bearing block, screw it on with the screwdriver.
- ▶ Insert the bearing pin Fig. 29 (5) completely. In the process, make sure that the latching cam shows towards the rear.

### For all appliances:

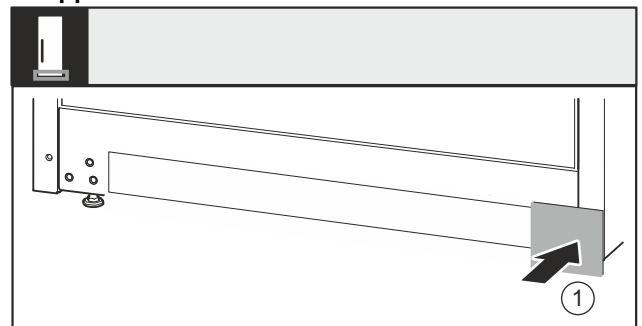


Fig. 30

- ▶ Re-attach the cover Fig. 30 (1) on the other side.

## 11.8 Moving the handles\*

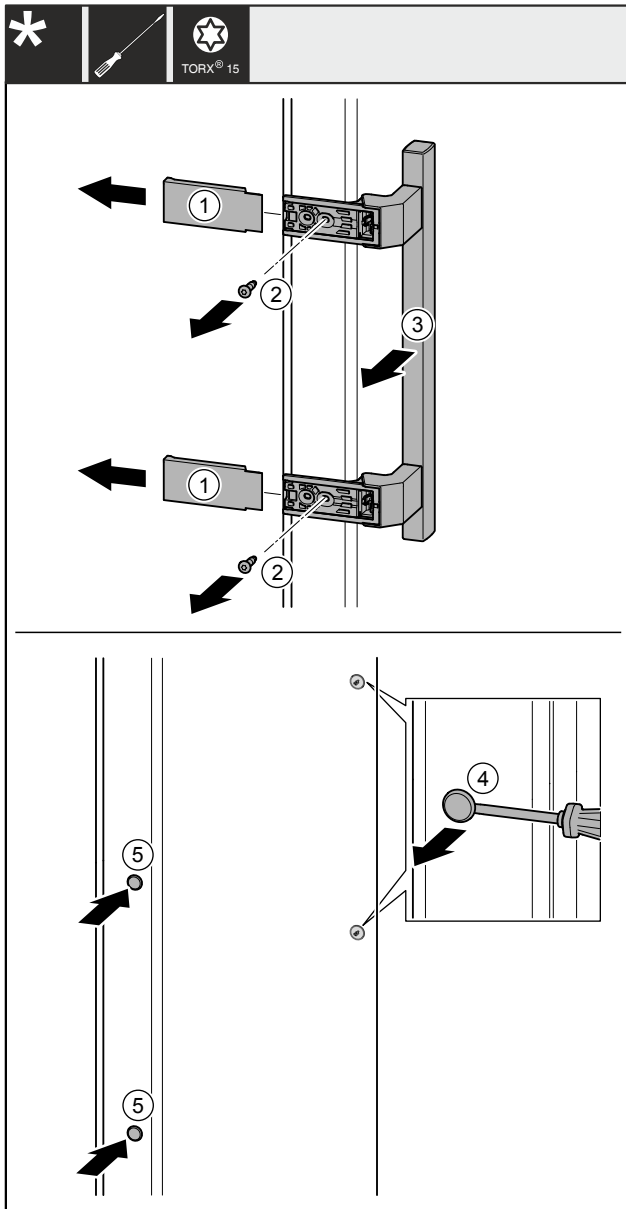


Fig. 31

- ▶ Pull off the covers. Fig. 31 (1)
- ▶ Turn out the screws Fig. 31 (2) with the screw driver.
- ▶ Remove the handle Fig. 31 (3).
- ▶ Carefully lift the side plug Fig. 31 (4) with a slotted screwdriver and pull it out.
- ▶ Reinsert the plug Fig. 31 (5) on the other side.

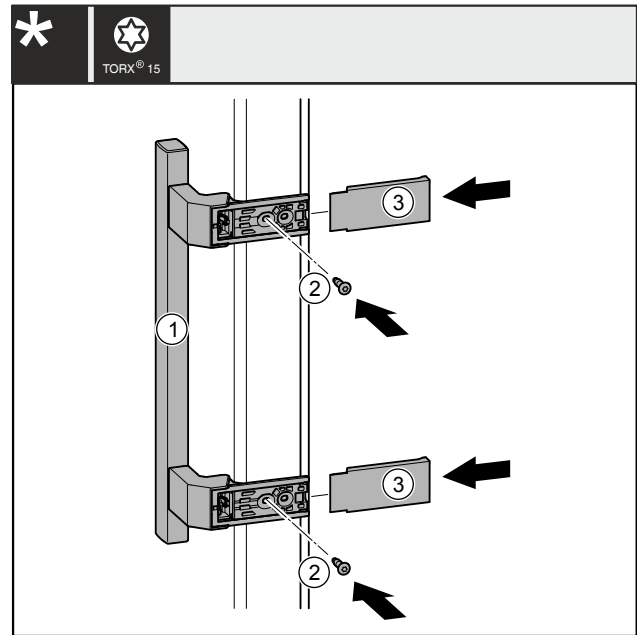


Fig. 32

- ▶ Attach the handle on Fig. 32 (1) the opposite side.
- ▷ The screw holes must be exactly on top of each other.
- ▶ Tighten the screws Fig. 32 (2) with the screwdriver.
- ▶ Attach the covers Fig. 32 (3) on the sides and slide them on so that they snap in.
- ▷ Covers are mounted.

## 11.9 Installing door on the bottom

For appliances with closing dampers:

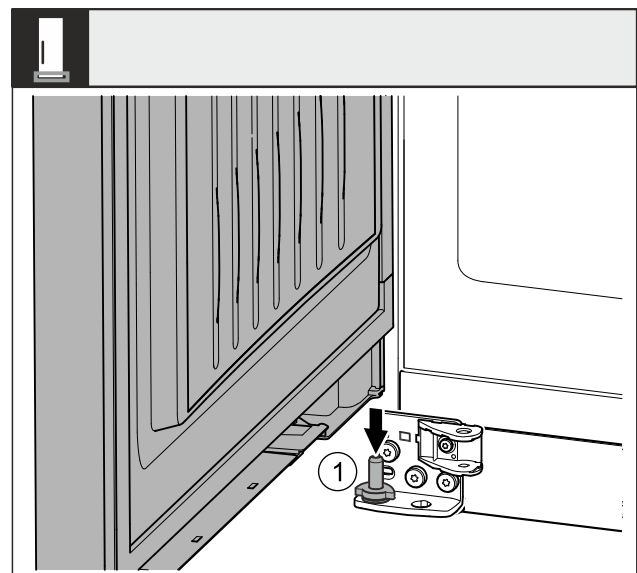


Fig. 33

- ▶ Fit the door onto the lower bearing pin Fig. 33 (1) from the top.

# Door hinge change

## 11.10 Installing the door on the top

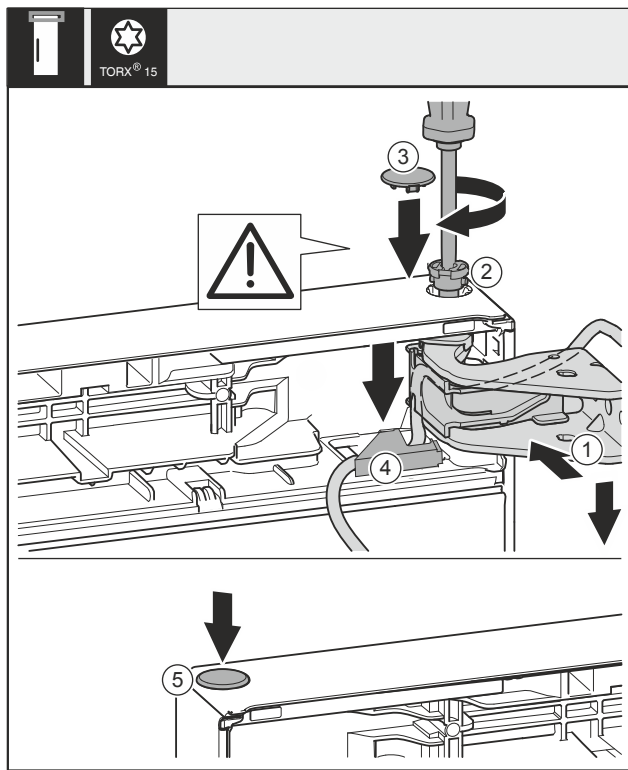


Fig. 34

- ▶ Align the door on the top towards the opening in the swap bearing block Fig. 34 (1).
- ▶ Insert the pin Fig. 34 (2) and tighten it with the screwdriver.
- ▶ Mount the safety cover to protect the door: Insert the safety cover Fig. 34 (3) and check whether it is positioned on the door. If so, insert the pin completely.

### NOTICE

Cable crushing!

- ▶ The mark on the cable must be positioned centered in the bracket. The tab with the longer opening must show towards the front.

- ▶ Insert the cover Fig. 34 (4) and press it down until it snaps down.
- ▶ Insert the plug. Fig. 34 (5)

## 11.11 Installing the cable connection

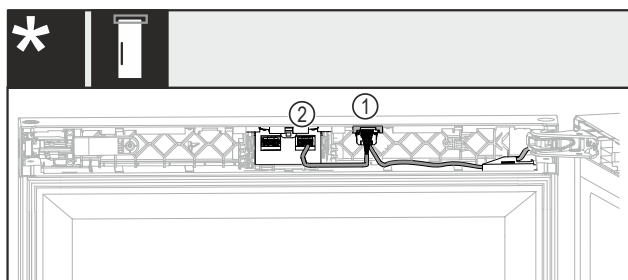


Fig. 35 Without lock or with mechanical lock

- ▶ Insert the plug with both cables Fig. 35 (1) into the guide.
- ▶ Snap the plug with one cable Fig. 35 (2) into the right harness.

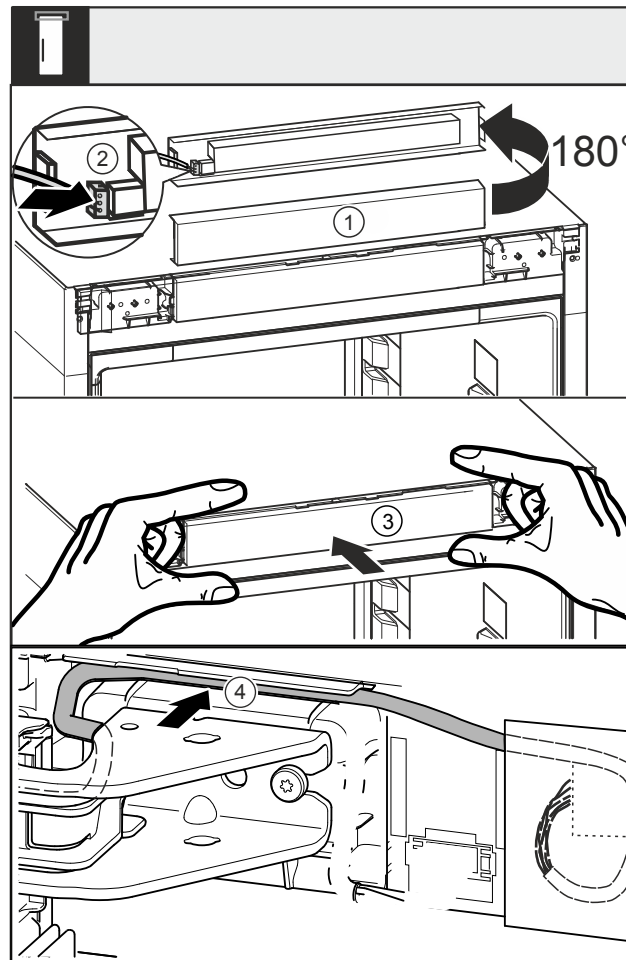


Fig. 36

- ▶ Turn the faceplate Fig. 36 (1) upward by 180°.
- ▶ Snap the plug Fig. 36 (2) into place on the control unit panel.
- ▶ Snap the faceplate Fig. 36 (3) back onto the appliance.
- ▶ Carefully insert the cable into the guide Fig. 36 (4) above the top swap bearing block.
- ▶ If necessary, install the remaining cable length as a loop.

## 11.12 Aligning the door

### **WARNING**

Danger of injury due to door falling out!  
If the bearing parts are not screwed on tightly enough, the door may fall out. This can result in serious injuries. In addition, the door may not close causing the appliance to cool improperly.

- ▶ Screw the bearing brackets on firmly with 4 Nm (3 ft lb).
  - ▶ Check all screws and retighten them if necessary.
- 
- ▶ You may need to align the door with the appliance housing using the two slotted holes in the bottom swap bearing block. To do so, screw out the center screw in the bottom swap bearing block using the T20 tool included. Slightly loosen the remaining screws using the T20 tool or with a T20 screwdriver and align them using the slotted holes.
  - ▶ Support the door: Using an open-end wrench SW10, unscrew the adjustable foot at the bottom of the bearing block until it rests on the floor, then turn it by another 90°.

## 11.13 Attaching the cover

For appliances with a lock:\*

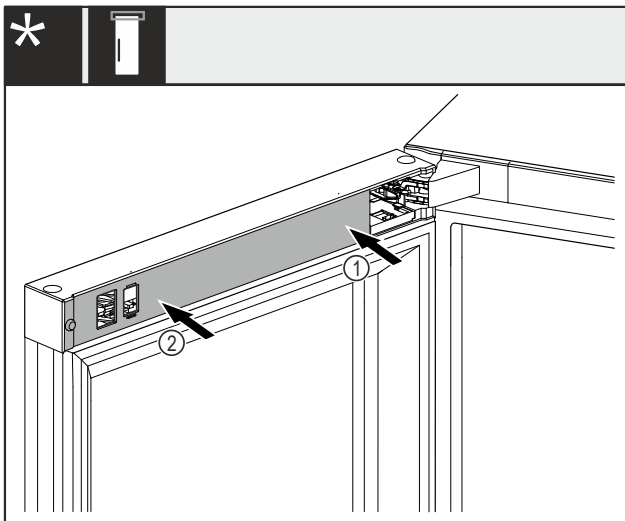


Fig. 37 \*

The door is open by 90°.\*

- ▶ Position the cover Fig. 37 (1) on the swap bearing block side first and snap it in.\*
- ▶ Position the cover Fig. 37 (2) on the outside and snap it in.\*

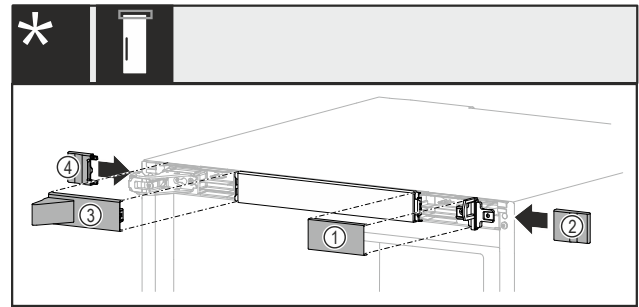


Fig. 38 \*

- ▶ Position the covers in the displayed order.\*

For appliances without a lock:\*

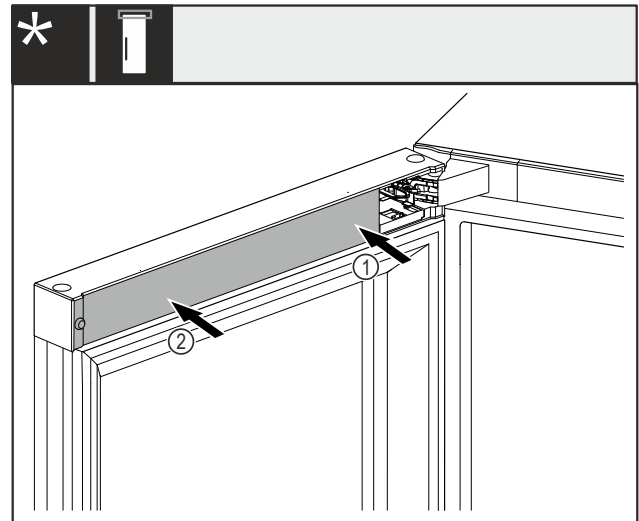


Fig. 39 \*

The door is open by 90°.\*

- ▶ Position the cover Fig. 39 (1) on the swap bearing block side first and snap it in.\*
- ▶ Position the cover Fig. 39 (2) on the outside and snap it in.\*

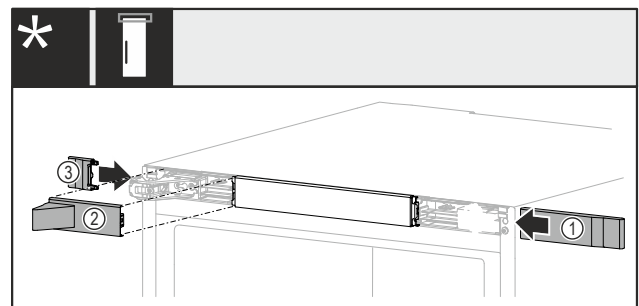


Fig. 40 \*

- ▶ Position the covers in the displayed order.\*

## 11.14 Installing the closing damper

Mount the adapter piece for appliances with a width of 700 mm (27 9/16 in) and 750 mm (29 1/2 in).\*

## Connecting the appliance to the power supply

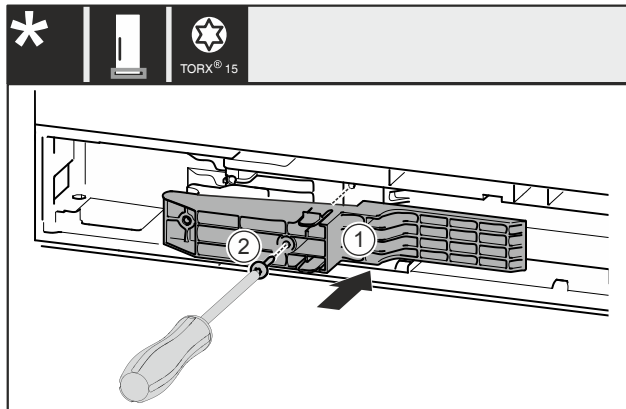


Fig. 41 \*

- ▶ Insert the adapter piece Fig. 41 (1) on the handle side into the recess.\*
- ▶ Tighten the screw Fig. 41 (2) with the screwdriver.\*

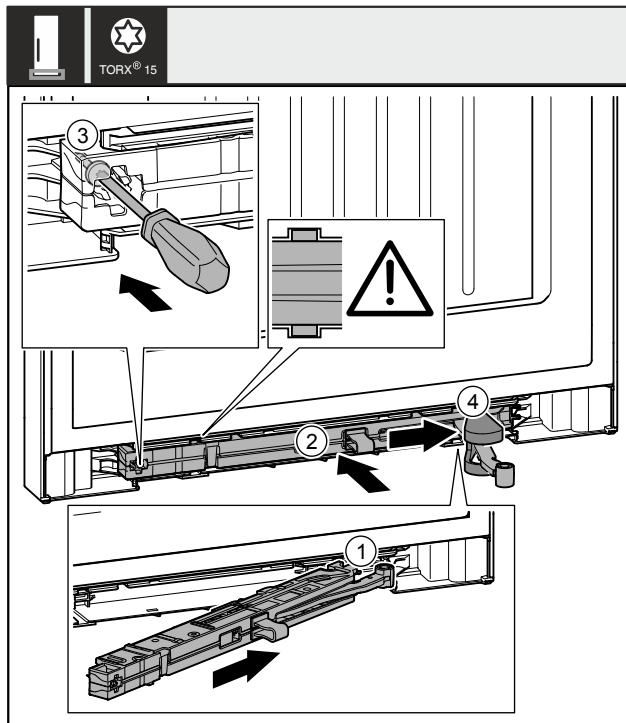


Fig. 42

- ▶ Slide the closing damper unit Fig. 42 (1) on the swap bearing block side up to the stop diagonally into the recess.
- ▶ Push the closing damper unit Fig. 42 (2) completely into the recess.
- ▷ The unit is positioned correctly if the ridge of the closing damper unit is in the guide.
- ▶ Tighten the screw Fig. 42 (3) with a screwdriver.
- ▶ Push the cover Fig. 42 (4) over the joint.

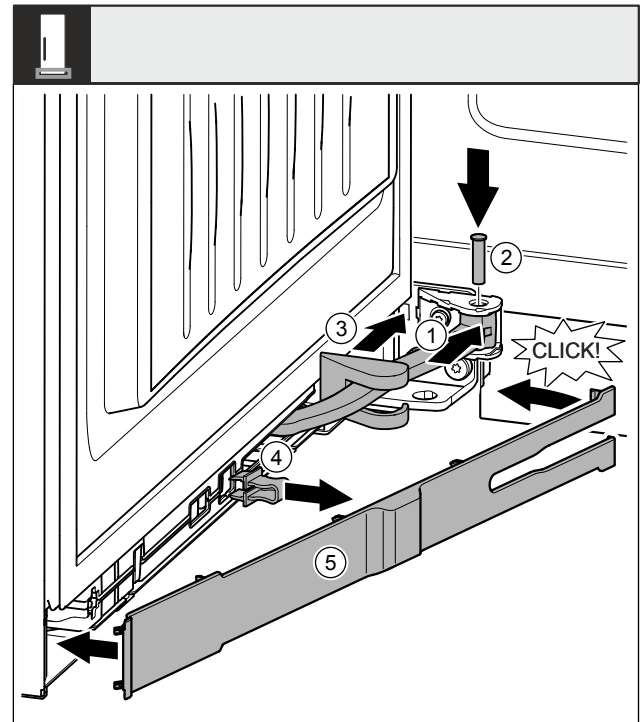


Fig. 43

The door is open by 90°.

- ▶ Turn the joint Fig. 43 (1) in the hinged suspension.
- ▶ Use a screwdriver to insert the pin Fig. 43 (2) into the hinged suspension and joint. In the process, make sure that the latching cam is correctly positioned in the groove.
- ▶ Slide the swap bearing block cover Fig. 43 (3) along the joint and install it above the hinged suspension.
- ▶ Remove the locking device. Fig. 43 (4)
- ▶ Attach the panel Fig. 43 (5) from the handle side and swivel it on.
- ▷ The panel is snapped in.
- ▶ Close the door.

## 12 Connecting the appliance to the power supply



### WARNING

- Danger of electric shock and injury due to damaged appliance or damaged mains cable!  
Cuts and fatal injury. If the appliance or the mains cable is damaged during transport, you may be electrocuted. You could also cut yourself on damaged parts of the appliance housing.
- ▶ Check the appliance and the mains cable for damage after transport.
  - ▶ Never put the appliance into operation if the appliance or the mains cable are damaged.
  - ▶ Contact Customer Service.

## Connecting the appliance to the power supply

---

You can connect your appliance to the mains using the power cable supplied separately. The mains power cable has an appliance coupler at one end and a mains plug at the other end.

Make sure that the following requirements are fulfilled:

- The appliance and power cable are undamaged.
- The appliance is set up in accordance with the regulations. (see 6 Mounting wall spacers)
- Requirements for the electrical connection are met. (see 2 Setup conditions)
- Dimensions for connection in accordance with regulations are known and observed.
- Mains voltage and frequency correspond to the specifications on the type plate.
- The socket is grounded and fused in accordance with regulations.
- The tripping current for the fuse is between 10 A and 16 A.
- Outlet is easily accessible and is not behind the appliance.

---

### NOTICE

Danger of damage to incorrect operation!  
Damage to the electrical components of the appliance.

- ▶ Only use the supplied power cable.



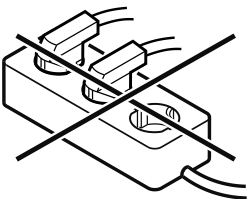
### WARNING

Danger of fire due to incorrect connection!

Burns.

Damage to the appliance.

- ▶ Do not use an extension cord.
- ▶ Do not use a multipoint connector strip.



---

### NOTICE

Danger of damage to incorrect connection!

Damage to the appliance.

- ▶ Do not connect the appliance to a stand-alone inverter, e.g. solar power systems and petrol generators.

- 
- ▶ Connect the mains plug of the power cord to the power supply. Ensure the main plug is firmly plugged into the outlet.

- ▷ The standby symbol appears in the display.
- ▷ If no action is taken within 60 seconds: Standby symbol fades or disappears.
- ▷ Appliance is connected. For initial commissioning, see the next chapter or the operating instructions.



[home.liebherr.com/fridge-manuals](https://home.liebherr.com/fridge-manuals)

**EN** Multi-temperature wine cabinet

Issue date: 20250203

**Part number index: 7083594-00**

For Service in the U.S.: Liebherr Service Center  
Toll Free: 1-866-LIEBHER or 1-866-543-2437  
Service-appliances.us@liebherr.com  
PlusOne Solutions, Inc.  
3501 Quadrangle Blvd, Suite 120  
Orlando, FL 32817

For Service in Canada: Liebherr Service Center  
Toll Free: 1-888-LIEBHER or 1-888-543-2437  
www.euro-parts.ca  
EURO-PARTS CANADA  
39822 Belgrave Road, Belgrave, Ontario, N0G 1E0  
Phone: (519) 357-3320 | Fax: (519) 357-1326