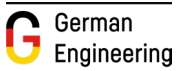


UR3750

Undercounters

LIEBHERR

Refrigeration and Freezing



home.liebherr.com



UR3750

Energy consumption (kWh / y)	115
Estimated Yearly Energy Cost in US \$	16
Sound rating dB(A)	36
Refrigerator capacity cu.ft. (l)	4.7 (134)
Electronic control	Touch&Swipe
Defrost type	Automatic
Interior light	LED ceiling light
Number of shelves	2
Number of door racks	1 full, 2 half
Number of drawers	1 EasyFresh/ 1 Universal box
Temperature range	36 to 48°F (2 TO 9°C)
Door alarm	Visual and acoustic
Door type	Panel ready
SoftSystem	Yes
Door hinges	Right, reversible
Product dimensions	
in inch (H / W / D)	33 13/16 23 1/2 21 15/16
in cm (H / W / D)	85.9 / 59.7 / 55.6
Cut out dimensions	
in inch (H / W / D)	33 7/8 - 36 1/4 24 22
in cm (H / W / D)	86-92 / 60 / 56
Net weight lbs. (kg)	81.6 (37)
Voltage V / Hz	115/60

* Energy Cost will depend on utility rates and use. Estimated energy cost based on a national average electricity cost of 14 cents per kWh.

** Noise output – according to EN 60704-3

Accessories

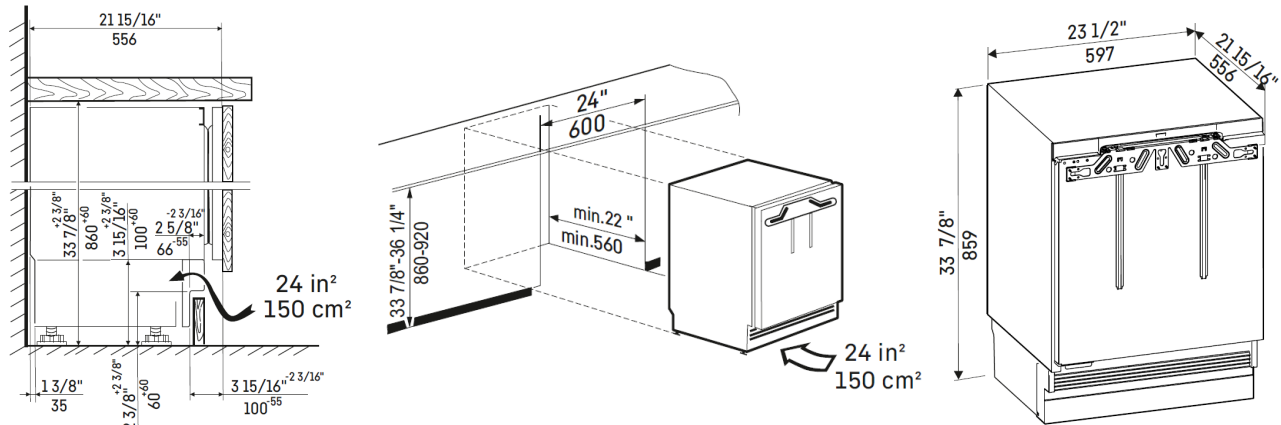
FreshAir activated charcoal filter	9882460
Stainless steel panel	9904866
23" Brushed aluminum square handle	9901561
23" Stainless-steel round handle	9904734
Adjustable toe kick	7742874

Features

- Power Cooling** The fan – as powerful as it is quiet – distributes the cold air efficiently throughout the entire refrigeration compartment.
- Easy Fresh** The guarantee of market freshness in your home. Whether it's unpackaged vegetables or fruit, Easy Fresh ensures that your food is preserved for a longer period of time.
- Super Cool** Generates greater cold reserves so that freshly stored food can be rapidly chilled. Reversion from the chilling temperature of +35.6°F to the normal refrigeration temperature is time or quantity-controlled to help save energy.
- LED** LED lighting is energy efficient, long-lasting, and maintenance-free. It illuminates the refrigerator to ensure that your foods are visible.
- Soft System** SoftSystem integrated into the appliance door, cushions the door closure, thus eliminating slamming, even when the shelves are fully loaded.
- Smart Device** SmartDevice is the networking solution for your smart Liebherr refrigerator. You can control your smart refrigerator directly using your smartphone or tablet via the SmartDevice app – conveniently from all over the world.

Diagrams

Product and Cut out Dimensions

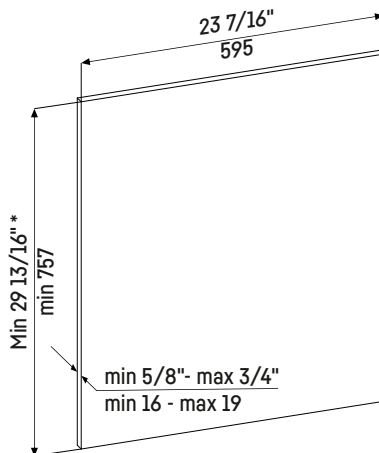


This is a fully integrated undercounter model which means that it is fully enclosed by a kitchen cabinet. This type of cabinet must be carefully constructed using the correct dimensions and it must provide suitable ventilation to ensure proper appliance operation. The floor on which the appliance stands must be horizontal, and level and the kitchen cabinets must be aligned horizontally and vertically. The kitchen cabinet door, the appliance ventilation grille and the toe kick panel must maintain a minimum opening of 1-3/8" (35 mm) to allow proper air flow for ventilation

The power cord exists the rear of the appliances and has a length of 6.5 ft (2m). We recommend the electrical outlet not be situated behind the appliance and be easily accessible. The under counter can be installed in a standard niche of 34" up to taller niche of 36". Height can be adjusted in a range of 2 3/8" (60mm) by turning the levelling feet. To ensure proper refrigeration performance of the appliance, designed ventilation is required.

The toe kick installation will be different depending on the cabinets where the appliance is installed. A toe kick panel will be required to cover the gap between the ventilation grill and the floor.

Door Panel Dimensions



Custom panels should be at least 5/8"(16mm) and a maximum of 3/4"(19mm) thick.

Maximum value must not exceed the maximum ventilation cross-section of 24 in² (150 cm²).

Panel and handle max weight is:
Maximum weight of the custom panel door is 22 bl (10kg).

If using a "shaker style" panel that undershoots the minimum panel thickness, please be aware that you will need to use shorter screws than on standard thickness panels.