

A NEW CHOICE IN VALUE UNDER CABINET HOODS. An updated and traditional under cabinet range hood that offers superior performance and styling but will not exceed your budget. The Levante G now has the option of recirculating! Other features include LED lighting, welded construction and new updated controls.



New Ductless & Recirculating Model!

AVAILABLE MODELS

Model #	Size / Color	Motor Class (CFM)	Sound Levels (sones)
LEVG24SS300	24 Stainless	300	3.5 - 6.6 sones
LEVG30SS300	30 Stainless	300	3.5 - 6.6 sones

KEY FEATURES



New Push Button Controls!
Backlit LED indicator and backlit controls with a LED light to indicate the current speed.



Dishwasher safe grease filters
Multi-layered mesh filters capture grease and allow for easy clean up in the dishwasher



Ductless / Recirculating Model
Grilles on the front of the model assist in recirculation.

LEVANTE G

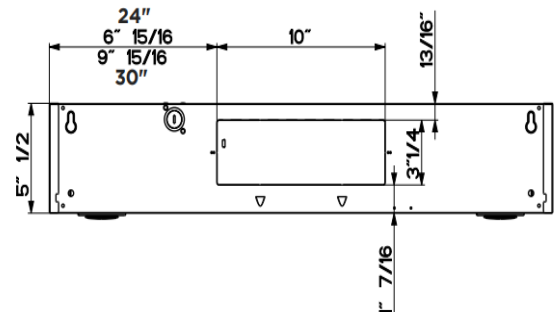
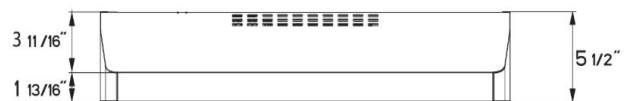
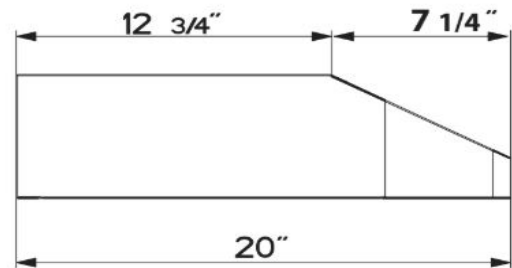
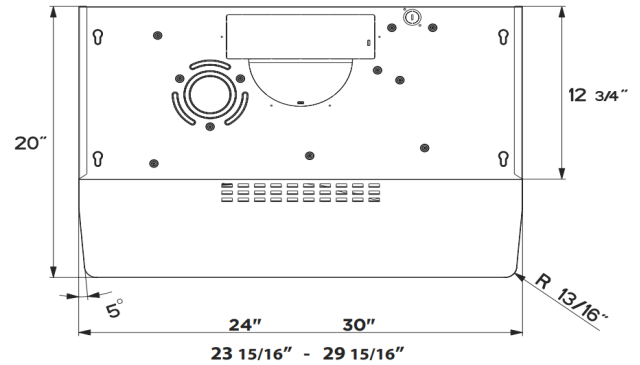
SPECIFICATIONS

UNDER CABINET RANGE HOOD



DIMENSIONS

Canopy Depth / Height	20" d / 5 1/2" h
Convertible To Ductless / Recirculating	yes (with FILTER5)
Controls	4 speed electronic control
Lighting	2 x 35 (w) halogen
Ducting Top / Rear (Back)	7" round (top) / 3 1/4" x 10" (top or back)
Grease Filters	dishwasher safe mesh
AC Power	260 watts / 2.1 amps
Ducting Rear Vent (Vari-Duct)	3 1/4" X 10" Rectangle
10 Min. Intensive Speed	yes
Fixed Wiring Box	yes
ADA Compliant	no



PERFORMANCE

SPEED	1	2	3
CFM	90	190	290
Sones	3.5	5.0	6.6

ACCESSORIES

FILTER5 - Charcoal Filter Kit

High quality charcoal filter for use when recirculating the air back into the kitchen. Filters out odor and should be replaced every 6 months

WARNING! Product specifications are subject to change without notification. Consult the installation instructions before you begin installing this range hood. * Check local make up air codes for guidelines.

