

OWNER'S MANUAL

AIR CONDITIONER

Please read this manual carefully before operating your set and retain it for future reference.

TYPE : WINDOW

MODELS LW8016ER



P/NO : MFL69365401

www.lg.com

TABLE OF CONTENTS

Safety Precautions	3
Before Operation	7
Introduction	8
Safety	9
Installation	11
Operating Instructions.....	16
Maintenance and Service	20



FOR YOUR RECORDS

Write the model and serial numbers here:

Model # _____

Serial # _____

You can find them on a label on the side of each unit.

Dealer's Name _____

Date Purchased _____

- Staple your receipt to this page in the event you need it to prove date of purchase or for warranty issues.



READ THIS MANUAL

Inside you will find many helpful hints on how to use and maintain your air conditioner properly. Just a little preventive care on your part can save you a great deal of time and money over the life of your air conditioner.

You'll find many answers to common problems in the chart of troubleshooting tips. If you review our chart of

Troubleshooting Tips first, you may not need to call for service at all.



PRECAUTION

- Contact the authorized service technician for repair or maintenance of this unit.
- The air conditioner is not intended for use by young children or invalids without supervision.
- Young children should be supervised to ensure that they do not play with the air conditioner.
- When the power cord is to be replaced, replacement work shall be performed by authorized personnel only using only genuine replacement parts.
- Installation work must be performed in accordance with the National Electric Code by qualified and authorized personnel only.



Safety Precautions



To prevent injury to the user or other people and property damage, the following instructions must be followed.

- Incorrect operation due to ignoring instruction will cause harm or damage. The seriousness is classified by the following indications.

⚠ WARNING This symbol indicates the possibility of death or serious injury.

⚠ CAUTION This symbol indicates the possibility of injury or damage to properties only.

- Meanings of symbols used in this manual are as shown below.

	Be sure not to do.
	Be sure to follow the instruction.

⚠ WARNING

■ Installation

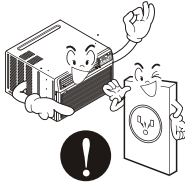
Don't use a power cord, a plug, or a loose socket which is damaged.

- Otherwise, it may cause a fire or electrical shock.



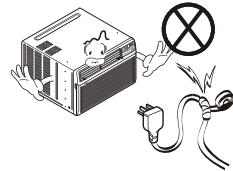
Always plug into a grounded outlet.

- Otherwise, it may cause a fire or electrical shock.



Do not modify or extend the power cord length.

- It will cause electric shock or fire due to heat generation.



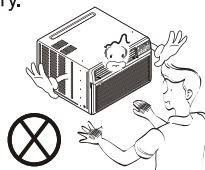
Do not disassemble or modify products.

- It may cause failure and electric shock.



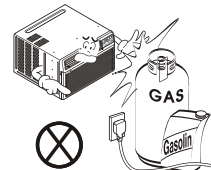
Be caution when unpacking and installing.

- Sharp edges may cause injury.



Do not store flammables like gasoline, benzene, thinner, etc. near the air conditioner.

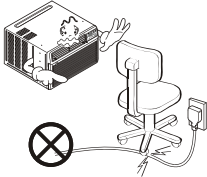
- It may cause explosion or fire.



■ Operation

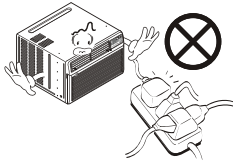
Do not place heavy object on the power cord and take care so that the cord should not be pressed.

- There is danger of fire or electric shock.



Do not share the outlet with other appliances.

- It will cause electric shock or fire due to heat generation.



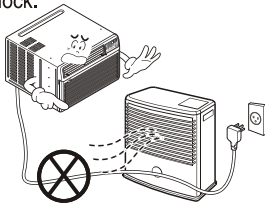
Take the power plug out if necessary, holding the head of the plug and do not touch it with wet hands.

- Otherwise, it may cause a fire or electrical shock.



Do not place the power cord near a heater.

- It may cause fire and electric shock.



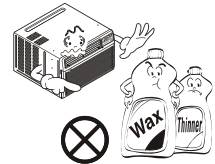
Do not allow water to run into electric parts.

- It will cause failure of machine or electric shock.



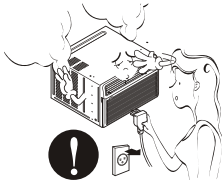
Use a soft cloth to clean. Do not use wax, thinner, or a strong detergent.

- The appearance of the air conditioner may deteriorate, change color, or develop surface flaws.



Unplug the unit if strange sounds, odors, or smoke come from it.

- Otherwise it may cause fire and electric shock accident.



Do not open the suction inlet grill of the product during operation.

- Otherwise, it may electrical shock and failure.

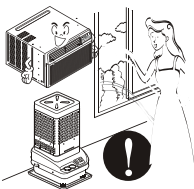


If water enters the product, turn off the power switch of the main body of appliance. Contact service center after taking the power-plug out from the socket.



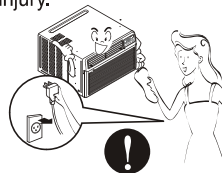
No correlation between fan usage and oxygen depletion.

- An oxygen shortage may occur.



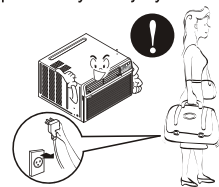
Turn off the power and breaker first when cleansing the unit.

- Since the fan rotates at high speed during operation, it may cause injury.



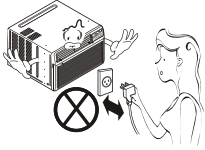
Unplug the unit when not using it for a long time.

- Prevent accidental startup and the possibility of injury.



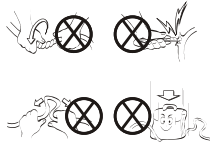
Do not operate or stop the unit by inserting or pulling out the power plug.

- It will cause electric shock or fire due to heat generation.



Do not damage or use an unspecified power cord.

- It will cause electric shock or fire.



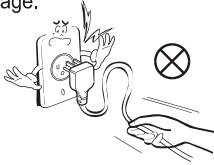
Do not operate with wet hands or in damp environment.

- It will cause electric shock.



Hold the plug by the head (not the cable) when taking it out.

- It may cause electric shock and damage.



When gas leaks, open the window for ventilation before operating the unit.

- Otherwise, it may cause explosion, and a fire.



Never touch the metal parts of the unit when removing the filter.

- They are sharp and may cause injury.



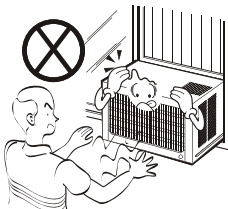
For inner cleaning, contact an Authorized Service Center or a dealer.
Do not use harsh detergent that causes corrosion or damage on the unit.
Harsh detergent may also cause failure of product, fire, or electric shock.

CAUTION

Installation

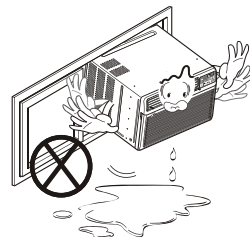
Install the product so the exhaust and noise are not aimed directly at the neighbors.

- Be considerate.



Follow installation instructions exactly.

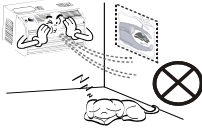
- Otherwise, it may cause vibration or water leakage.



■ Operation

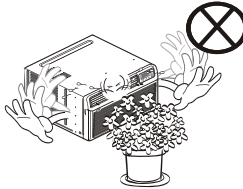
Do not use this appliance for special purposes such as cooling pets, foods, precision machinery, or objects of art

- It is an air conditioner, not a precision refrigeration system.



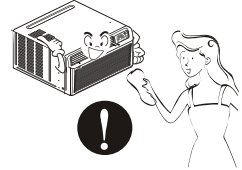
Do not block the inlet or outlet of air flow.

- It may cause product failure.



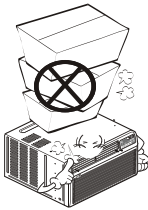
Use a soft cloth to clean. Do not use wax, thinner, or a strong detergent.

- The appearance of the air conditioner may deteriorate, change color, or develop surface flaws.



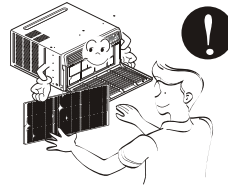
Do not step on the indoor/outdoor unit and do not put anything on it.

- It may cause an injury through dropping of the unit or falling down.



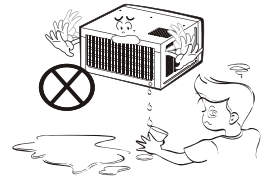
Always insert the filter securely. Clean it every two weeks.

- Operation without filters will cause failure.



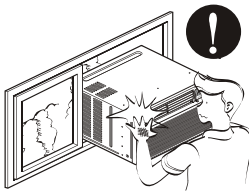
Do not drink water drained from air conditioner.

- It contains contaminants and will make you sick.



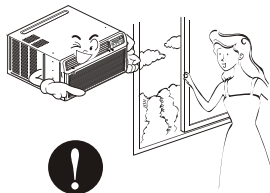
Be cautious not to touch the sharp edges when installing.

- It may cause injury.



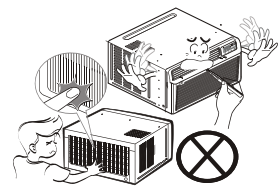
Instead of running air conditioning constantly, open a window for fresh air occasionally.

- You will feel better.



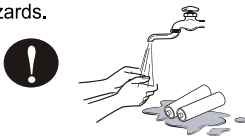
Do not insert the hands or bars through the air inlet or outlet during operation.

- Otherwise, it may cause personal injury.



If the liquid from the battery gets onto your skin or clothes, wash it well with clean water. Do not use the remote if the battery has leaked.

- The chemicals in battery could cause burns or other health hazards.



If you eat the liquid from the battery, brush your teeth and see doctor. Do not use the remote if the battery have leaked.

- The chemicals in battery could cause burns or other health hazards.



Before Operation

Preparing for Operation

1. Contact an installation specialist for installation.
2. Plug in the power plug properly.
3. Use a dedicated circuit.
4. Do not use an extension cord.
5. Do not start/stop operation by plugging/unplugging the power cord.
6. If the cord/plug is damaged, replace it with only an authorized replacement part.

Usage

1. Being exposed to direct airflow for an extended period of time could be hazardous to your health.
2. No correlation between fan usage and oxygen depletion.
3. Do not use this air conditioner for non-specified special purposes (e.g. preserving precision devices, food, pets, plants, and art objects). Such usage could damage the items.

Cleaning and Maintenance

1. Do not touch the metal parts of the unit when removing the filter. Injuries can occur when handling sharp metal edges.
2. Do not use water to clean inside the air conditioner. Exposure to water can destroy the insulation, leading to possible electric shock.
3. When cleaning the unit, first make sure that the power and breaker are turned off. The fan rotates at a very high speed during operation. There is a possibility of injury if the unit's power is accidentally triggered on while cleaning inner parts of the unit.

Service

For repair and maintenance, contact an Authorized Service Center. See the warranty page for details or call (800) 243-0000. Have your model number and serial number available. They should be written on page 2 of this manual.

Introduction

Symbols Used in this Manual



This symbol alerts you to the risk of electric shock.



This symbol alerts you to hazards that could cause harm to the air conditioner.

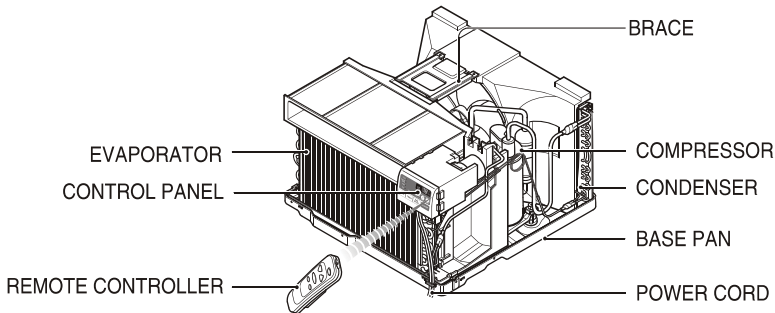
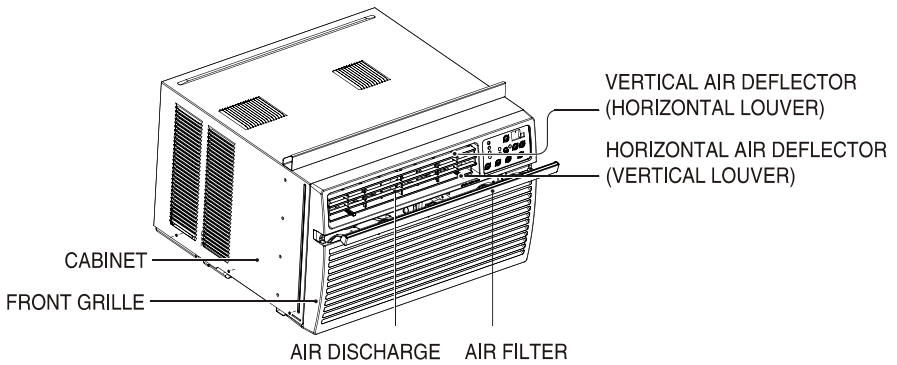
NOTICE

This symbol indicates special notes.

Features

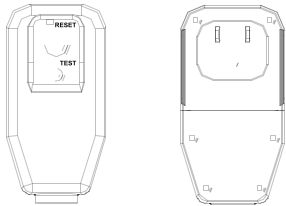
⚠ WARNING

This appliance should be installed in accordance with the National Electric Code.




Safety

Electrical Data

<p>115V~</p> 	<p>Power cord may include a current interrupter device. A test and reset button is provided on the plug case. The device should be tested on a periodic basis by first pressing the TEST button and then the RESET button. If the TEST button does not trip or if the RESET button will not stay engaged, discontinue use of the air conditioner and contact a qualified service technician.</p>
--	--

NOTICE

Use Wall Receptacle	Power Supply
 <p>Standard 125V, 3-wire grounding receptacle rated 15A, 125V AC</p>	<p>Use 15 AMP. time delay fuse or 15 AMP. circuit breaker.</p>

⚠ WARNING

**Never push the test button during operation
Otherwise this plug can damaged.**

Do not remove, modify, or immerse this plug.

If this device trips, the cause should be corrected before further use.

⚠ WARNING

USE OF EXTENSION CORDS

RISK OF FIRE could cause serious injury or death

DO NOT use an extension cord with this window air conditioner

DO NOT use surge protectors or multi-outlet adapters with this window air conditioner

⚠ CAUTION

The conductors inside this cord are surrounded by shields, which monitor leakage current.

These shields are not grounded.

Periodically examine the cord for any damage. Do not use this product in the event the shields become exposed.

Avoid shock hazard. This unit cannot be user-serviced. Do NOT open the tamper-resistant sealed portion.

All warranties and performance will be voided. This unit is not intended to be used as an ON/OFF switch.

Safety

IMPORTANT (PLEASE READ CAREFULLY)

FOR THE USER'S PERSONAL SAFETY, THIS APPLIANCE MUST BE PROPERLY GROUNDED

The power cord of this appliance is equipped with a three-prong (grounding) plug. Use this with a standard three-slot (grounding) wall power outlet to minimize the hazard of electric shock. The customer should have the wall receptacle and circuit checked by a qualified electrician to make sure the receptacle is properly grounded.

DO NOT CUT OR REMOVE THE THIRD (GROUND) PRONG FROM THE POWER PLUG.

A. SITUATIONS WHEN THE APPLIANCE WILL BE DISCONNECTED OCCASIONALLY

Because of potential safety hazards, we strongly discourage the use of an adapter plug. However, if you wish to use an adapter, a TEMPORARY CONNECTION may be made. Use UL-listed adapter, available from most local hardware stores.

The large slot in the adapter must be aligned with the large slot in the receptacle to assure a proper polarity connection.

⚠ CAUTION

Attaching the adapter ground terminal to the wall receptacle cover screw does not ground the appliance unless the cover screw is metal, and not insulated, and the wall receptacle is grounded through the house wiring. The customer should have the circuit checked by a qualified electrician to make sure the receptacle is properly grounded.

Disconnect the power cord from the adapter, using one hand on each. Otherwise, the adapter ground terminal might break. DO NOT USE the appliance with a broken adapter plug.

B. SITUATIONS WHEN THE APPLIANCE WILL BE DISCONNECTED OFTEN.

Do not use an adapter plug in these situations. Unplugging the power cord frequently can lead to an eventual breakage of the ground terminal. The wall power outlet should be replaced by a three-slot (grounding) outlet instead.

⚠ WARNING

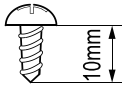
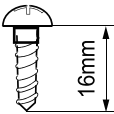
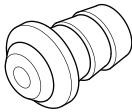
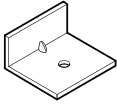


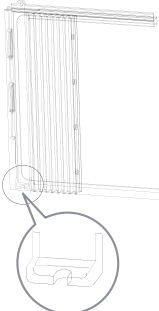
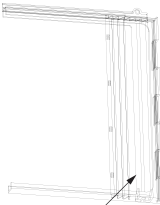

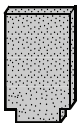
1. Do not use means to accelerate the defrosting process or to clean, other than those recommended by the manufacturer
2. The appliance shall be stored in a room without continuously operating ignition sources (for example: open flames, an operating gas appliance or an operating electric heater)
3. Do not pierce or burn. Be aware that refrigerants may not contain an odor

⚠ CAUTION

This unit contains flammable refrigerant and has special safety precautions not normally associated with older units. Please follow all precautions and advisories.

1. Use caution while handling and prevent damage to unit. Do not put any holes into product for any reason, this can cause damage to product and prevent unit from cooling.
2. Maintenance and cleaning of unit should be performed by trained personnel. Failure to properly clean unit can result in damage to the refrigeration system and or the electrical system.
3. Make certain that all the air circulation/ventilation openings are free from obstruction.
4. Service should only be performed by technicians properly trained and certified in the use of flammable refrigerants. Any service performed by unauthorized servicers/individuals will void all warranties.
5. When storing the appliance, do not put in a room with any open flame appliances, such as gas water heaters or furnaces. Also keep away from electric heaters. Damaged units should be repaired before storage.

Installation

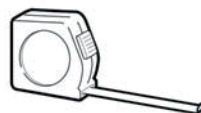
<p>Type A: 11 EA (Short Screw)</p>	<p>Type B: 5 EA (Wood Screw)</p>	<p>Type C: 1 EA (Drain Joint Pipe + Drain Washer)</p>	<p>Type D: 3 EA (L Bracket)</p>
			
<p>Type E: 2 EA (Seal Strip)</p>	<p>Type F: 1 EA (Sash Seal)</p>	<p>Type G: 2 EA (Guide Panel)</p>	
<p>(Adhesive backed)</p> 	<p>(Not adhesive backed)</p> 	<div style="display: flex; justify-content: space-around;"> <div data-bbox="614 592 757 617"> <p>Left Guide Panel</p>  </div> <div data-bbox="838 592 993 617"> <p>Right Guide Panel</p>  </div> </div> <p style="text-align: right; margin-right: 50px;">Curtain</p>	
<p>Type H: 1 EA (Support Bracket)</p>	<p>FOAM-HEATPROOF (Adhesive backed) 2 EA</p>		
			

Have the following tools available for installation:

* Phillips head screwdriver



* Ruler



* Scissors or knife



* Level



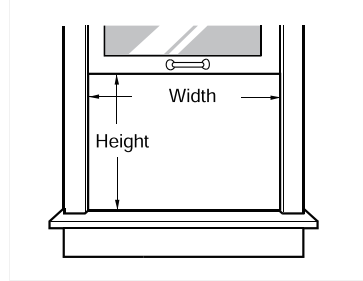
* Pencil



Window Requirements

Size

This room air conditioner is designed for installation in standard double-hung windows with actual opening widths (refer to below table). The upper and lower window sash must open sufficiently to allow a clear vertical opening of height from the bottom of the upper sash to the window stool.



Model	Width (inches)	Height Min (inches)
LW8016ER	22-36	13



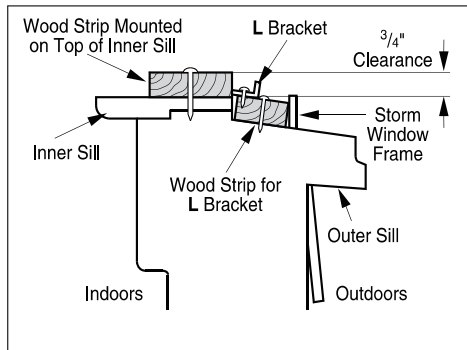
WARNING: This product is a WINDOW AIR CONDITIONER. As such, a standard single-hung or double-hung window is required for proper installation. Non-window installations, including using sleeves, holes in walls, and other installations are not recommended.

Clearance

Proper clearance enhances the cooling efficiency of the unit.

1. If a storm window presents interference, fasten a 2" wide wood strip to the inner window sill across the full width of the sill. The wood strip should be thick enough to raise the height of the window sill so that the unit can be installed without interference by the storm window frame.
2. See drawing. The top of the wood strip should be approximately $\frac{3}{4}$ " higher than the storm window frame or wood strip (Outdoors) to help condensation to drain properly to the outside.
3. Install a second wood strip (same thickness as first strip) in the center of the sill flush against the back off the inner sill.

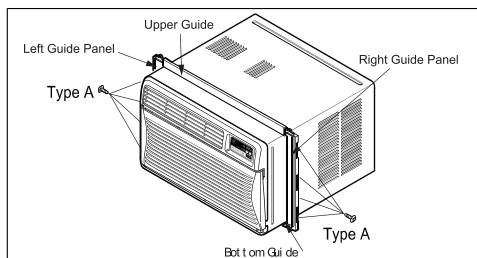
This will raise the L bracket (Type D) as shown in the drawing.



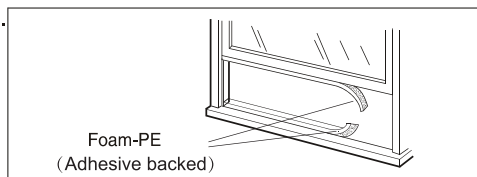
Preparation of Chassis

1. Insert the guide panels (Type G) into the upper and bottom guide. Fasten the curtains to the unit with 4 screws (Type A) on each side.

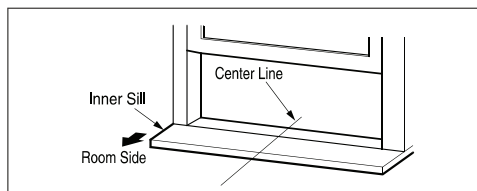
Tip! Use a long screwdriver and installing the screws will be easier.



2. Cut the window sash seals to the proper length. Peel off the backing and attach the Foam-PE (Adhesive backed) to the underside of the window sash and bottom of window frame.

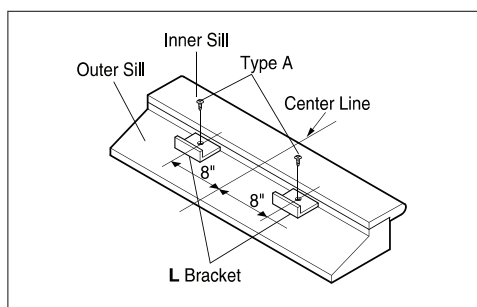


3. Open the window and mark center line on the center of the inner sill.



4. Attach L bracket (Type D)

- 4-1. Install the L brackets behind the inner window sill, with short side of bracket as shown. Use the 2 screws (Type A) provided.
- 4-2. The bracket helps to hold unit securely in place. Be sure to place bracket edge flush against back of inner sill.

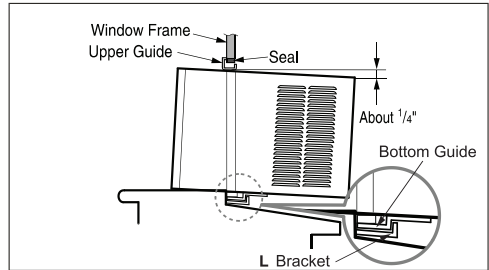


Unit Installation

! Caution: During the following step, hold unit firmly until window sash is lowered to top channel behind side panel frames. Personal injury or property damage may result if unit falls from window.

1. Install the air conditioner in the window

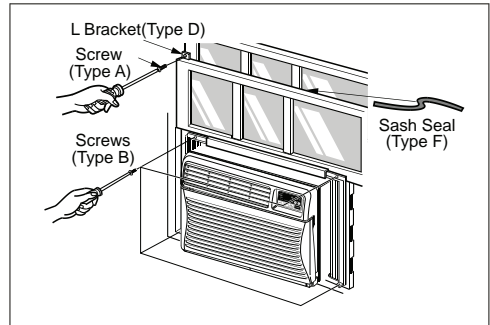
1-1. Set the air conditioner in the window so that is centered. Place the air conditioner so that front edge of the bottom guide is against the back edge of the sill.



1-2. Bring the window down so that the front edge of the upper guide is in front of the window. Make sure that air conditioner is level or tilting slightly to the outside.

2. Secure the guide panels (Type G)

Extend the guide panels (Type G) to fill the window opening using 4 screws (Type B) to secure them.



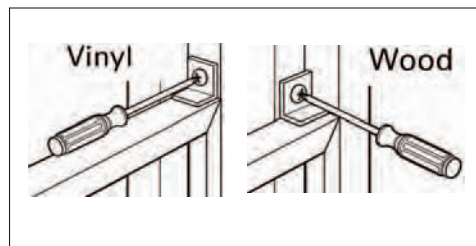
3. Install the sash seal and sash lock

3-1. Cut the sash seal (Type F) to the window width. Stuff the sash seal between the glass and the window to prevent air and insects from getting into the room.

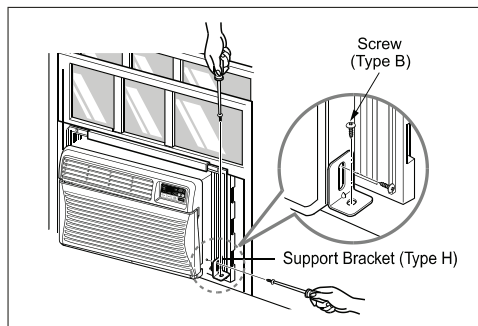
3-2. Fasten the L bracket (Type D) using a screw (Type A).

! CAUTION

To prevent broken glass or damage to windows, on vinyl or other similarly constructed windows, attach the window locking bracket to the window side jamb with one Type A screw.

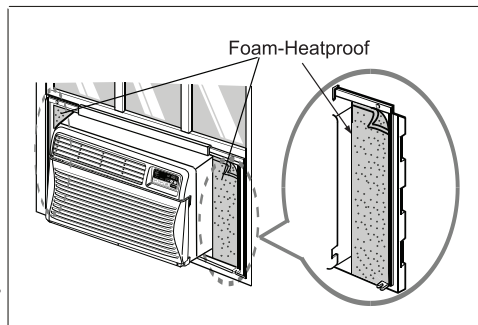


- 3-3. Remove the screw from the right side of cabinet.
- 3-4. Fasten the support bracket (Type H) using a screw removed from the air conditioner cabinet. Attach the support bracket (Type H) to the inner window sill with a screw (Type B).



4. Cut the adhesive-backed Foam-Heatproofs to the Guide Panel size. Remove the backing from the Foam-Heatproofs and attach the Foam-Heatproofs to Guide Panel.

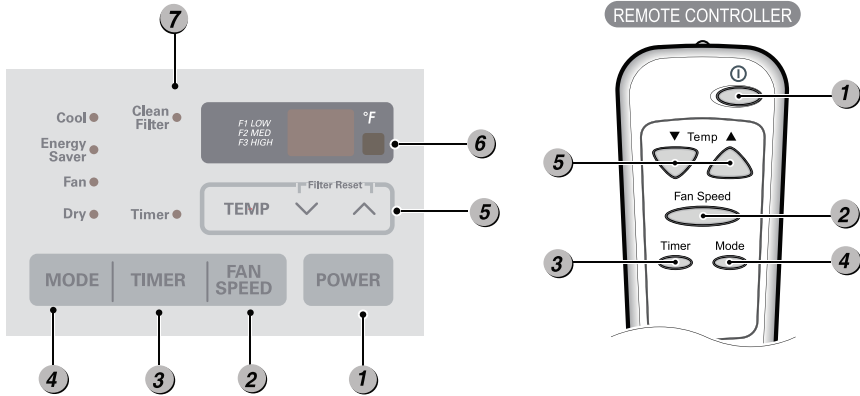
Tip! Foam-Heatproof improves the cooling capability of the unit.



5. Window installation of room air conditioner is now completed.
See ELECTRICAL DATA for attaching power cord to electrical outlet.

Operating Instructions

Remote Control Operations



1 POWER

Operation starts when this button is pressed and stops when you press the button again.

2 FAN SPEED SELECTOR

Use to set the fan speed to *Low (F1)*, *MED (F2)*, *High (F3)*.

3 ON/OFF TIMER

Delay ON - when the air conditioner is off, it can be set to automatically turn on from 1 to 24 hours at its previous mode and fan settings.

Delay OFF - when the air conditioner is on, it can be set to automatically turn off from 1 to 24 hours.

4 OPERATION MODE SELECTOR

- Push the MODE button to rotate between Energy Saver / Cool / Fan / Dry.

Energy Saver - The fan stops when the compressor stops cooling.

Approximately every 3 minutes the fan will turn on and check the room air temperature if cooling is needed.

Cool - Compressor runs and cools the room. Use the \wedge / \vee and FAN buttons to set the desired temperature and circulation fan speed.

Fan - Fan circulates air but compressor does not run. Use the FAN button to set the desired fan speed.

Dry - Dry mode is used to remove humidity from the room without additional cooling. Once the set temperature is reached, the compressor and circulation fan turns off. Fan speed is pre-set and cannot be adjusted.

5 TEMPERATURE CONTROL

The thermostat monitors room temperature to maintain the desired temperature. The thermostat can be set between 60°F~86°F (16°C~30°C).

6 REMOTE CONTROL SENSOR

7 CLEAN FILTER

'Clean Filter' LED will light up to notify you that your filter needs to be cleaned. After cleaning the filter, press "Temp ^ V" together to turn off 'Clean Filter' light. (Filter reset must be done from unit control panel not remote control).

NOTICE

This feature is reminder to clean the Air Filter (See Maintenance) for more efficient operation. The LED (light) will illuminate after 250 hours of operation.

AUTO RESTART

During operation in failure of electric power, the unit runs as previous setting operation.

ENERGY SAVER

The unit defaults to Energy Saver mode each time the unit is switched on except restoration after an electrical power outage and fan mode.

▲ CAUTION

The remote controller will not function properly if strong light strikes the sensor of the air conditioner or if there are obstacles between the remote controller and the air conditioner.

Inserting the Remote Control Battery

1. Push out the cover on the back of the remote control with your thumb.
2. Pay attention to polarity and insert one new AAA 1.5V battery.
3. Reattach the cover.

NOTICE

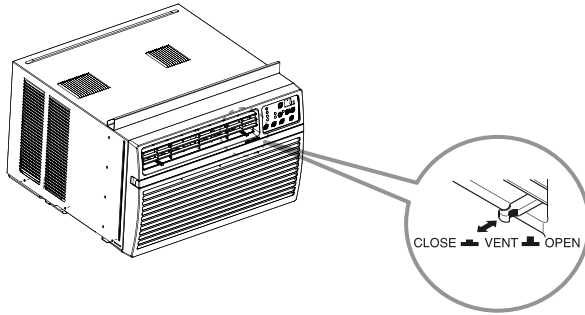
Do not use rechargeable battery. Make sure that the battery is new. Do not mix alkaline, standard (Carbon-zinc) or rechargeable (Nickel-cadmium) battery.

- In order to prevent discharge, remove the battery from the remote control if the air conditioner is not going to be used for an extended period of time. Keep the remote control away from extremely hot or humid places. To maintain optimal operation of the remote control, the remote sensor should not be exposed to direct sunlight.



Ventilation

The ventilation lever must be in the CLOSE position in order to maintain the best cooling conditions. When fresh air is necessary in the room, set the ventilation lever to the OPEN position. The damper is opened and room air is drawn out.

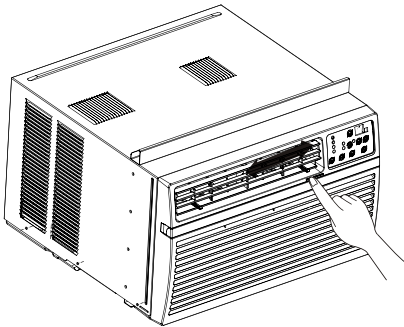


Air Direction

Airflow can be adjusted by changing the direction of the air conditioner's louvers.

Adjusting Horizontal Air Flow Direction

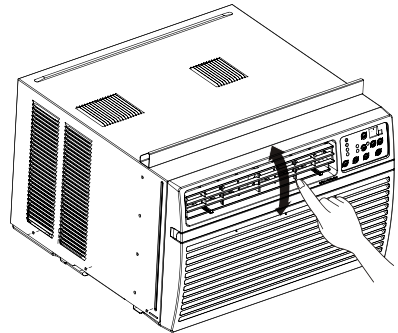
The horizontal direction is adjusted by moving the lever to the left or right.



Adjusting horizontal air flow direction

Adjusting Vertical Air Flow Direction

Touch the horizontal louvers to adjust the air airflow up or down.



Adjusting vertical air flow direction

NOTICE

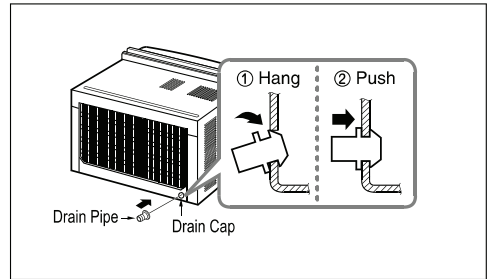
When the unit operates in extremely hot weather, it turns off automatically to protect compressor.

Additional Features

Drain Pipe

In humid weather, excess water may cause the base pan to overflow. To drain the water, remove the drain cap and secure the drain pipe to the rear hole of the base pan.

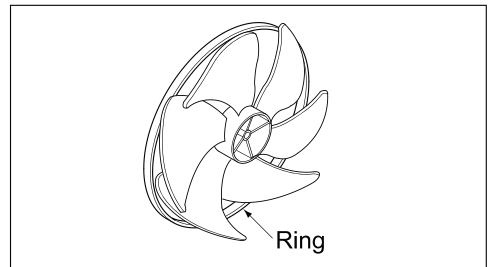
Press the drain pipe into the hole by pushing down and away from the fins to avoid injury.



Slinger Fan

This air conditioner is equipped with a slinger fan. (See drawing, below.)

The fan has an outer ring that runs in the water that collects in the base pan if it gets deep. That condensate is then picked up by the fan and expelled through the condenser, making the air conditioner more efficient.

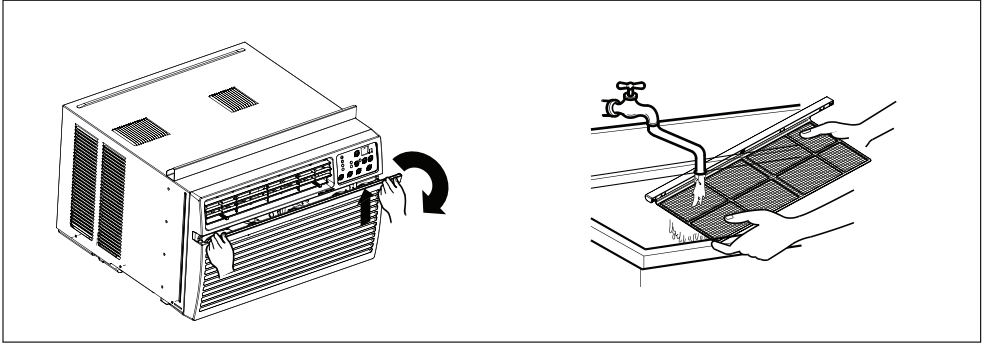


CAUTION: Be careful when inserting the drain pipe. Push away from the sharp fin area to avoid slipping injuring yourself.

Maintenance and Service

Air Filter

Check the air filter at least twice a month to see if cleaning is necessary. Trapped particles in the filter can build up and block the airflow, reducing cooling capacity and causing an accumulation of frost on the evaporator. To clean the air filter:



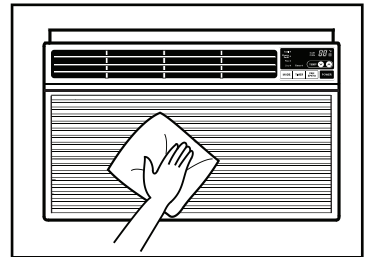
1. Remove the air filter from the front grille by pulling forward the air filter and then up slightly.
2. Wash the filter using lukewarm water below 40°C (104 °F).
3. Gently shake the excess water from the filter and replace.

Cleaning The Air Conditioner

The front grille and inlet grille may be wiped with a cloth dampened in a mild detergent solution.

The cabinet may be washed with mild soap or detergent and lukewarm water, then polished with liquid wax for Appliances.

To ensure continued peak efficiency, the condenser coils (outside of unit) should be checked periodically and cleaned if clogged with soot or dirt from the atmosphere.



Removal From Window

Turn the air conditioner off, disconnect the power cord, remove the L bracket, the screws and Support Bracket installed through the top and bottom of the guide panels, and save for reinstallation later. Close the guide panels. Keeping a firm grip on the air conditioner, raise the sash, and carefully tilt the air conditioner backward, draining any condensate. Lift the air conditioner from the window and remove the sash seal from between the windows.

Be sure to drain ALL condensate from the air conditioner. If you don't, it could run out while you carry the unit, making a mess and creating a slipping hazard. This simple step will save you much cleaning and make a safer work environment.

Common Problems and Solutions

Before Calling for Service

If you have problems with your air conditioner, read the following information and try to solve the problem. If you cannot find a solution, turn off the air conditioner and call 1-800-243-0000.

Air conditioner does not operate

1. Ensure that the air conditioner is plugged into an outlet of the proper voltage and amperage.
2. Check the fuse or circuit breaker.
3. Check whether the voltage is unusually high or low.

Air does not feel cold enough on the cooling setting

1. Ensure that the temperature settings are correct.
2. Check to see if the air filter is clogged with dust. If so, clean the filter.
3. Ensure that the air flow from the outside is not obstructed and that there is a clearance of over 20" between the back of the air conditioner and the wall or fence behind it.
4. Close all doors and windows and check for any source of heat in the room.

Water drip from the rear of the unit

You see water dripping from the rear of the unit. Water may be collected in the base pan in highly humid conditions or on rainy days. This water overflows and drips from the rear of the unit.

Normal Sound

High pitched Chatter

Today's high efficiency compressors may have a high pitched chatter during the cooling cycle.

Sound of Rushing Air

At the front of the unit, you may hear the sound of rushing air being moved by the fan.

Pinging or Swishing

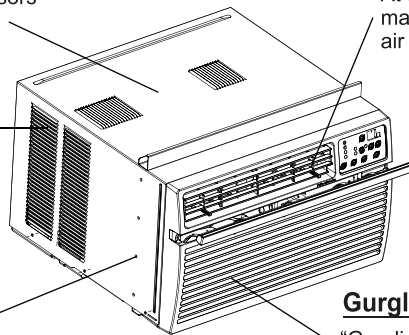
Droplets of water hitting condenser during normal operation may cause "pinging or swishing" sounds. (See the section on Slinger Fan, page 19)

Vibration

Unit may vibrate and make noise because of poor wall or window construction or incorrect installation.

Gurgle/Hiss

"Gurgling or hissing" noise may be heard due to refrigerant passing through evaporator during normal operation.



Troubleshooting

The air conditioner may be operating abnormally when:

<i>Problem</i>	<i>Possible Causes</i>	<i>What To Do</i>
Air conditioner does not start	The air conditioner is unplugged.	Make sure the air conditioner plug is pushed completely into the outlet.
	The fuse is blown/circuit breaker is tripped.	Check the house fuse/circuit breaker box and replace the fuse or reset the breaker.
	Power failure.	If power failure occurs, turn the mode control to Off. When power is restored, wait 3 minutes to restart the air conditioner to prevent tripping of the compressor overload.
	The current interrupter device is tripped.	Press the RESET button located on the power cord plug. If the RESET button will not stay engaged, discontinue use of the air conditioner and contact a qualified service technician.
Air conditioner does not cool as it should	Airflow is restricted.	Make sure there are no curtains, blinds, or furniture blocking the front of the air conditioner.
	The temp control may not be set correctly.	In COOL model, press the DECREASE ▼ pad.
	The air filter is dirty.	Clean the filter at least every 2 weeks. See the care and Maintenance section.
	The room may have been hot.	When the air conditioner is first turned on, you need to allow time for the room to cool down.
	Cold air is escaping.	Check for open furnace floor registers and cold air returns.
Cooling coil have iced up.	See Air Conditioner Freezing Up below.	
Air conditioner freezing up	The cooling coils are iced over.	Ice may block the air flow and obstruct the air conditioner from properly cooling the room. Set the mode control at High Fan or High Cool .
Water drips outside	Hot, humid weather.	This is normal.
Water drips indoors	The air conditioner is not tilted to the outside.	For proper water disposal, make sure the air conditioner slants slightly from the case front to the rear.
Water collects in base pan	Moisture removed from air and drains into base pan.	This is normal for a short period in areas with little humidity; normal for a longer period in very humid areas.
Air conditioner turns on and off rapidly.	Dirty air filter - air restricted.	Clean air filter.
	Outside temperature extremely hot.	Set FAN speed to a faster setting to bring air through cooling coils more frequently.
Noise when unit is cooling.	Air movement sound.	This is normal. If too loud, set to lower FAN setting.
	Window vibration - poor installation.	Refer to installation instructions or check with installer.
Remote Sensing Deactivating Prematurely.	Remote control not located within range.	Place remote control within 20 feet & 120° radius of the front of the unit.
	Remote control signal obstructed.	Remove obstruction.
Room too cold.	Set temperature too low.	Increase set temperature.

*You can refer to the Energy Star program in detail at www.energystar.gov.

* If you see "CH" in the display, please call 1-800-243-0000.

A series of horizontal dashed lines providing a space for writing a memo.

TABLA DE CONTENIDOS

Precauciones de Seguridad.....	26
Antes de poner el equipo en funcionamiento.....	30
Introducción	31
Seguridad	32
Instalación.....	34
Instrucciones de Funcionamiento	39
Mantenimiento y Servicio	43



PARA SUS ARCHIVOS

Escriba aquí el modelo y número de serie:

Modelo n°: _____

Serie n°: _____

Puede encontrar los números en la etiqueta de la parte lateral del producto.

Nombre del distribuidor: _____

Fecha de compra: _____

■ Adjunte su recibo a esta página con la grapadora para el momento que lo necesite para probar la fecha de su adquisición o para la validación de la garantía.

ESPAÑOL



LEA ESTE MANUAL

En su interior encontrará muchos consejos útiles sobre la utilización y mantenimiento de su acondicionador de aire. Unos pocos cuidados por su parte le pueden ahorrar mucho tiempo y dinero durante la vida de su acondicionador de aire.

En la tabla de consejos para la solución rápida de problemas encontrará muchas respuestas a los problemas más habituales. Si revisa primero nuestra **Tabla de Consejos** para la solución rápida de problemas, tal vez no necesite llamar nunca al servicio técnico.



PRECAUCIÓN

- Contacte a un Centro de Servicio Autorizado para reparar o realizar el mantenimiento de esta unidad.
- El aire acondicionado no es apto para ser usado por niños pequeños o discapacitados sin la supervisión adecuada.
- Los niños pequeños deben ser supervisados para asegurar que no jueguen con el aire acondicionado.
- Si hay que cambiar el cable de alimentación, solicite a un técnico de servicio que instale un recambio exacto.
- El trabajo de la instalación debe ser realizado de acuerdo al Código Eléctrico Nacional, únicamente por el personal calificado y autorizado.



Precauciones de Seguridad

Para evitar lesiones al usuario o a otras personas y daños a la propiedad, estas instrucciones estén seguirse.

- Una operación incorrecta por ignorar las instrucciones provocará lesiones o daños. La seriedad se clasifica por las siguientes indicaciones.

⚠ ADVERTENCIA Este símbolo indica la posibilidad de muerte o de seria lesión.

⚠ PRECAUCION Este símbolo indica sólo la posibilidad de lesiones o daños a la propiedad

- Significados de los símbolos utilizados en este manual.



No hacer.



Siga estas instrucciones.

⚠ ADVERTENCIA

■ Instalación

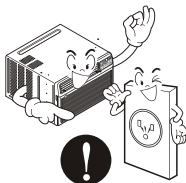
No utilice un cable de alimentación, enchufe o una toma suelta que esté dañada.

- De lo contrario, podría provocar un incendio o descarga eléctrica.



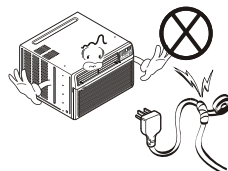
Enchufe siempre a un tomacorriente que tenga toma a tierra.

- De lo contrario, podría provocar un incendio o descarga eléctrica.



No modifique ni alargue el cable de alimentación.

- De lo contrario, puede provocar una descarga eléctrica o incendio debido a la generación de calor.



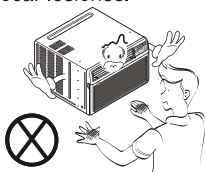
No desmonte ni modifique los productos.

- Puede ocasionar fallos y una descarga eléctrica.



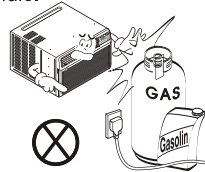
Tenga cuidado al desembalar e instalar el aparato.

- Los bordes afilados pueden provocar lesiones.



No use el cable de alimentación cerca gas inflamable o materiales combustibles tales como la gasolina, benceno, disolvente, etc.

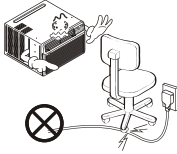
- Podría ocurrir una explosión o incendio.



Operación

No use el cable de alimentación cerca gas inflamable o materiales combustibles tales como la gasolina, benceno, disolvente, etc.

- Puede ocasionar una explosión o descarga eléctrica.



No comparta el tomacorriente con otros electrodomésticos.

- De lo contrario, puede provocar una descarga eléctrica o incendio debido a la generación de calor.



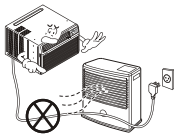
Saque el enchufe en caso de necesidad, sosteniendo la cabeza del enchufe y no lo toque con las manos mojadas.

- De lo contrario, podría provocar un incendio o descarga eléctrica.



No ponga el cable de alimentación cerca de un calentador.

- Puede ocasionar un incendio y una descarga eléctrica.



No permita que entre agua en las piezas eléctricas.

- Puede provocar fallos en el producto o descargas eléctricas.



Utilice un paño suave para limpiar. No utilice cera, disolventes o detergentes fuertes.

- La apariencia del aparato de aire acondicionado puede deteriorar, cambiar el color o desarrollar flujos en las superficies.



Desenchufe la unidad si oye un sonido extraño, olores, o si observa salir humo.

- De lo contrario, puede ocurrir un incendio y un accidente por descarga eléctrica.



No abra la parrilla de entrada al aparato mientras está en funcionamiento.

- De lo contrario, pueden ocurrir descargas eléctricas y fallos.

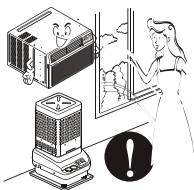


Si entra agua en el producto, apague el interruptor de la carcasa principal del aparato. Póngase en contacto con el centro de servicio después de haber sacado el enchufe del tomacorriente.



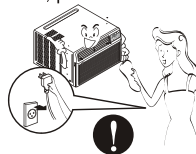
Ventile bien la sala al usar este aparato con una estufa, etc.

- Puede ocurrir un falta de oxígeno.



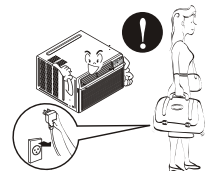
Apague el aparato y el interruptor diferencial primero antes de limpiar la unidad.

- Debido a que el ventilador gira a alta velocidad durante el funcionamiento, podría ocasionar lesiones.



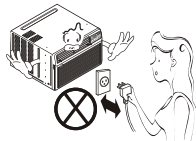
Apague el interruptor de alimentación principal cuando no vaya a utilizar el aparato durante mucho tiempo.

- Evitará el arranque accidental y la posibilidad de lesiones.



No opere ni detenga la unidad insertando o estirando de enchufe.

- De lo contrario, puede provocar una descarga eléctrica o incendio debido a la generación de calor.



No dañe ni use un enchufe de alimentación no especificado.

- Provocará descargas eléctricas o incendios.



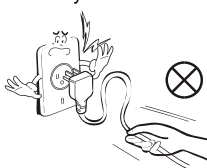
No toque el producto con las manos mojadas o en un ambiente húmedo.

- Provocará descargas eléctricas.



Sostenga el enchufe por el cuerpo (no del cable) cuando lo saque.

- Podría ocasionar una descarga eléctrica y daños.



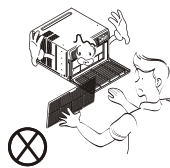
Cuando haya un escape de gas, abra la ventana para ventilar antes de poner en marcha la unidad.

- De lo contrario, podría ocurrir una explosión o incendio.



No toque las partes metálicas del aparato al sacar el filtro del aire.

- Son puntiagudas y pueden provocar lesiones.



Para una limpieza interior, póngase en contacto con un Centro de Servicios Autorizado o un revendedor.

No utilice detergentes abrasivos que causan corrosión o dañan la unidad.

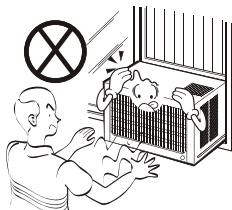
Los detergentes abrasivos pueden igualmente provocar un fallo del producto, un incendio o una descarga electrónica.

⚠ ADVERTENCIA

■ Instalación

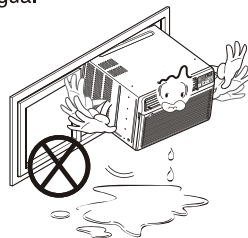
Instale el producto de modo que el ruido o el aire caliente producido por la unidad externa no moleste a los vecinos.

- De lo contrario puede dar lugar a disputas vecinales.



Mantenga nivelado el producto al instalarlo.

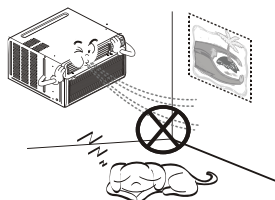
- De lo contrario se podría causar vibraciones o escapes de agua.



Operación

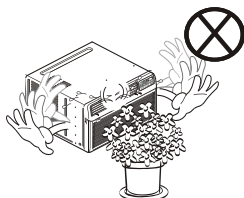
No ponga plantas ni animales en la trayectoria que recorrerá el aire caliente.

- Podría ocasionar lesiones.



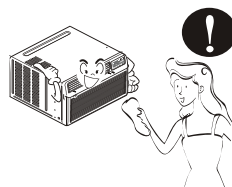
No bloquee la entrada ni la salida del flujo de aire.

- Puede causar una avería en el aparato.



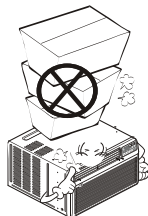
Utilice un paño suave para limpiar. No utilice cera, disolventes o detergentes fuertes.

- La apariencia del aparato de aire acondicionado puede deteriorar, cambiar el color o desarrollar flujos en las superficies.



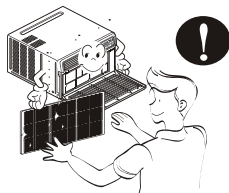
No se suba a la unidad interior/externa ni coloque objetos sobre la misma.

- Puede lesionarse al caerse del aparato o al caerse los objetos que haya colocado.



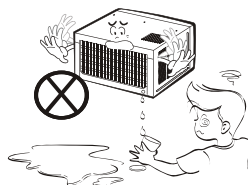
Inserte siempre el filtro correctamente. Límpielo cada dos semanas.

- El funcionamiento sin filtros puede provocar fallos.



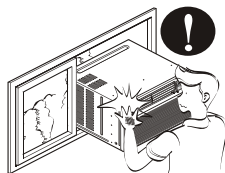
No beba el agua que drena el aparato de aire acondicionado.

- Contiene elementos de contaminación y hacer que se enferme.



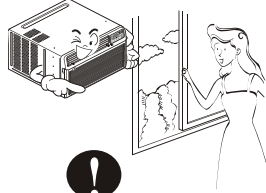
Tenga cuidado para no tocar los bordes puntagudos al instalar.

- Podría ocasionar lesiones.



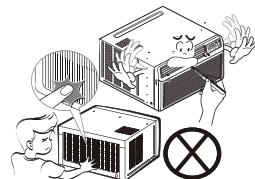
Evite un enfriamiento excesivo y ventile en ocasiones.

- De lo contrario, podría dañar su salud.



No introduzca la mano ni barras en la entrada o salida del funcionamiento del aparato.

- De lo contrario, podrían ocurrir lesiones personales.



Si entra líquido de las pilas en contacto con la piel o la ropa, lávela inmediatamente con agua. No utilice el control remoto si las pilas tienen fugas.

- Los productos químicos de las pilas podrían causar quemaduras u otros perjuicios a la salud.



Si el líquido de las pilas alcanzara su boca, cepille sus dientes y consulte a un médico. No utilice el mando a distancia si las pilas han experimentado fugas.

- Los productos químicos de las pilas podrían causar quemaduras u otros perjuicios a la salud.



Antes de poner el equipo en funcionamiento

Preparación para el funcionamiento

1. Póngase en contacto con un especialista para realizar la instalación.
2. Enchufe correctamente la toma de alimentación.
3. Utilice un circuito dedicado.
4. No utilice un cable alargador.
5. No inicie/cese el funcionamiento enchufando/desenchufando el cable eléctrico.
6. Si el cable/enchufe está dañado, sustitúyalo solo por una pieza autorizada.

Uso

1. Estando expuesto a la circulación directa de aire durante un extenso período de tiempo podría resultar peligroso para su salud.
2. El funcionamiento del ventilador no afectará a la reducción de oxígeno.
3. No utilice este aire acondicionado con propósitos especiales no especificados (Ej.: conservación de dispositivos de precisión, comida, animales domésticos, plantas y objetos de arte). Tal uso podría dañar los artículos.

Limpieza y mantenimiento

1. No toque las piezas metálicas de la unidad al retirar el filtro. Manejar aristas afiladas de metal puede causar lesiones.
2. No utilice el agua para limpiar el interior del aire acondicionado. La exposición al agua puede destruir el aislamiento, conduciendo a posibles descargas eléctricas.
3. Al limpiar la unidad, asegúrese antes de que la electricidad y el interruptor están apagados. El ventilador rota a muy alta velocidad durante el funcionamiento del equipo. Existe la posibilidad de lesiones si acciona accidentalmente la electricidad de la unidad mientras limpia el interior de la unidad.

Servicio

Para reparaciones y mantenimiento, póngase en contacto con un centro de servicio autorizado. Consulte la página de garantía o llame al número (800) 243-0000. Tenga su número de modelo y número de serie a mano. Los encontrará en la página 25 de este manual.

Introducción

Símbolos Utilizados en Este Manual



Este símbolo lo advierte de un peligro de accidente por corriente eléctrica.



Este símbolo lo advierte de un peligro que pueda causar un daño del ventilador.

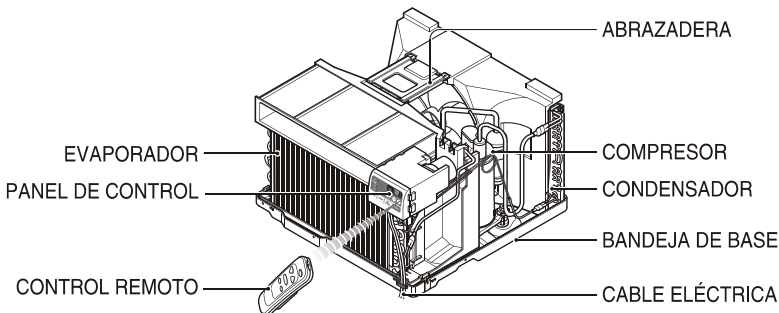
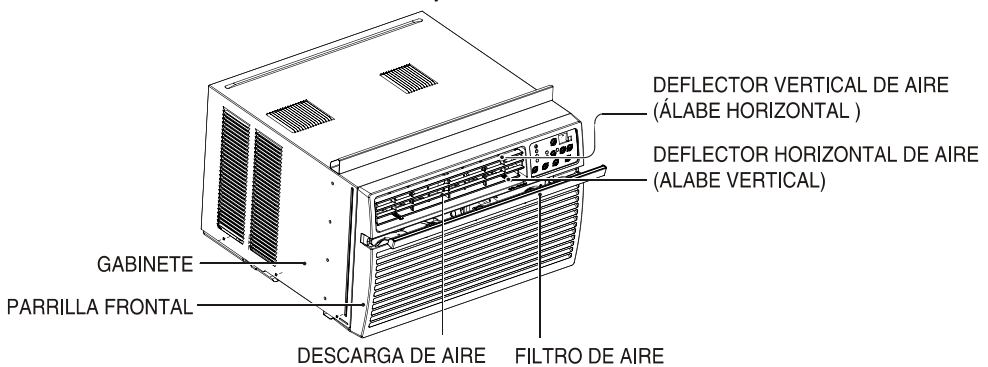
CONSEJO

Este símbolo significa condiciones especiales.

Características

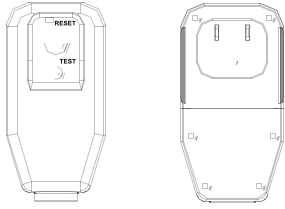
⚠ ADVERTENCIA

Este aparato debería instalarse de acuerdo con las normas del Código Eléctrico Nacional.




Seguraida

Datos Electricos

115V~	
	<p>El cable de alimentación puede incluir un dispositivo interruptor de corriente. La carcasa del enchufe cuenta con un botón de prueba y otro de reinicio. El dispositivo debe comprobarse periódicamente presionando primero el botón TEST y después RESET. Si el botón TEST no se desconecta o si el botón RESET no permanece activo, suspenda el uso del aire acondicionado y póngase en contacto con un técnico de servicio cualificado.</p>

CONSEJO

<p>Utilice el enchufe de la pared</p>	<p>Consumo de Energía</p>
 <p>Standard 125V, enchufe de 3 Líneas de 15A, 125V AC</p>	<p>Utilice un fusible de 15AMP. o un Interruptor de 15AMP.</p>

⚠ ADVERTENCIA

No presione nunca el botón de prueba durante el funcionamiento, de lo contrario el enchufe podría resultar dañado.

No desmonte, modifique ni sumerja en agua este enchufe.

Si el dispositivo se activara, deberá corregir la causa antes de volver a utilizarlo.

⚠ ADVERTENCIA

USO DE PROLONGADORES

RIESGO DE INCENDIO. Podría ocasionar lesiones graves o la muerte.

NO use un prolongador con este Acondicionador de Aire de Ventana.

NO use protectores contra picos de tensión ni adaptadores para múltiples tomacorrientes con este Acondicionador de Aire de Ventana.

⚠ PRECAUCION

Los hilos conductores dentro del cable están rodeados por blindajes, que supervisan la corriente de fuga. Estos blindajes no están puestos a tierra.

Examine periódicamente el cable en busca de cualquier daño. No utilice este producto si los blindajes resultaran expuestos.

Evite el riesgo de descargas eléctricas; esta unidad no puede ser reparada por el usuario por ser resistente a una prueba de alteraciones. Manipular la porción sellada de la unidad anulará todas las garantías y quejas de rendimiento. Esta unidad no está diseñada para su uso como un interruptor de encendido-apagado.

Seguraida

IMPORTANTE

(FAVORLEA CON ATENCIÓN)

POR LA SEGURIDAD PERSONAL DEL USUARIO, ESTE APARATO DEBE SER DEBIDAMENTE NEUTRALIZADO.

El cordón de energía de éste aparato esta equipado con tres patas(cable a tierra). Utilice éste con un enchufe de pared de tres salidas(a tierra) para minimizar el peligro de choque eléctrico. El cliente debe revisar el receptor de pared y el circuito por un electricista calificado para asegurarse que la recepción esta debidamente neutralizada.

NO CORTE O REMUEVA LA TERCERA PATA(GROUND) DEL ENCHUFE.

A. SITUACIONES EN LAS CUALES EL APARATO ES DESCONECTADO OCASIONALMENTE

Debido al peligro potencial, nosotros no recomendamos el uso de adaptadores. Sin embargo, si usted desea utilizar un adaptador, una CONEXIÓN TEMPORAL, puede ser efectuada. Utilice adaptadores UL, disponibles en la mayoría de los establecimientos de herramientas. La pata mas grande del adaptador debe ser alineada con la pata mas grande del interruptor para asegurarse una polarización adecuada.

⚠ PRECAUCION

Adaptar la terminal del ground del adaptador a la cubierta de la pared con un tornillo no neutraliza el aparato a menos que la cubierta del tornillo sea de metal, u no sea insolada, y el receptor de pared este neutralizado a través del alambrado de la casa. El cliente debe hacer verificar el circuito por un electricista calificado para asegurarse que el receptor esta debidamente neutralizado.

Desconecte el cordón de energía del adaptador, utilizado una mano en cada uno. De lo contrario, la terminal del adaptador puede romperse. NO UTILICE el aparato con un enchufe roto.

B. SITUACIONES EN LAS CUALES EL APARATO ES DESCONECTADO CON FRECUENCIA.

No utilice un adaptador en estas circunstancias. Desconectar el cordón de energía con frecuencia lo llevará al eventual rompimiento de la terminal de neutralización. La salud de energía de la pared debe ser reemplazada por una salida de tres patas(neutralizada).

⚠ ADVERTENCIA

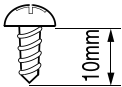
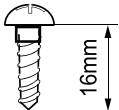
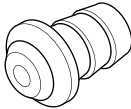
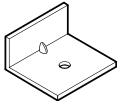


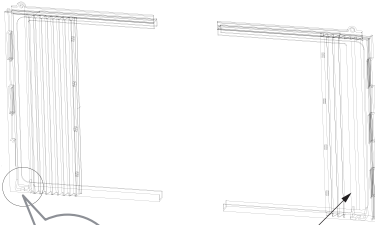

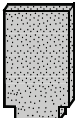
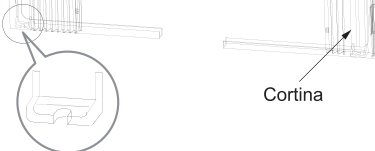
- 1.No use medios que no sean los recomendados por el fabricante para acelerar el proceso de descongelación ni para limpiar el producto.
2. El aparato debe almacenarse en una habitación en donde no esté expuesto a fuentes de combustión en funcionamiento continuo (por ejemplo: llamas expuestas, aparatos que funcionan a gas o calentadores eléctricos)
- 3.No perfore ni incinere el producto. Tenga en cuenta que es posible que los refrigerantes no tengan olor.

⚠ PRECAUCION

Esta unidad contiene un refrigerante inflamable y cuenta con precauciones de seguridad especiales que normalmente no se asocian con modelos anteriores. Siga todos los consejos de seguridad y precauciones.

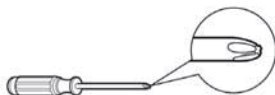
1. Tenga cuidado al manipular la unidad para evitar daños. No perfore el producto por ningún motivo; si lo hace, puede dañar el producto e impedir que la unidad enfríe.
2. El mantenimiento y la limpieza de la unidad debe estar a cargo de personal capacitado. La falta de limpieza adecuada de la unidad puede provocar daños en el sistema de refrigeración y/o el sistema eléctrico.
3. Asegúrese de que todas las aberturas de circulación/ventilación estén libres de obstrucciones.
4. El servicio debe estar a cargo únicamente de técnicos debidamente capacitados y certificados en el uso de refrigerantes inflamables. Todo servicio realizado por personal no autorizado, o personas no autorizadas, anulará por completo las garantías.
5. Al almacenar el aparato, no lo coloque en una habitación donde esté expuesto a llamas abiertas, como hornos o calentadores de agua a gas. Además, manténgalo alejado de calentadores eléctricos. Las unidades dañadas deben repararse antes de almacenarlas.

Instalación

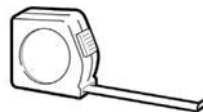
<p>Tipo A: 11 (Tornillo corto)</p>	<p>Tipo B: 5 (Tornillo Mediano)</p>	<p>Tipo C:1 (Tube de Drenaje+Arandela)</p>	<p>Tipo D: 3 (El Paréntesis L)</p>
			
<p>Tipo E: 2 (Banda Adhesiva)</p>	<p>Tipo F: 1 (Banda del Marco)</p>	<p>Tipo G: 2 (Panel Guía)</p>	
<p>(Adhesivo respaldado)</p> 	<p>(No adhesivo posterior)</p> 	<p>Grupo Guía de la izquierda Grupo Guía de derecho</p> 	
<p>Tipo H: 1 (Sostenga Paréntesis)</p>	<p> AISLAMIENTO DE ESPUMA (Adhesivo respaldado) 2</p>		
			

Para la instalación debería tener a disposición los instrumentos siguientes:

- * Un destornillador de estrella



- * Una regla o cinta métrica



- * Tijeras o cuchilla



- * Una regla o cinta métrica



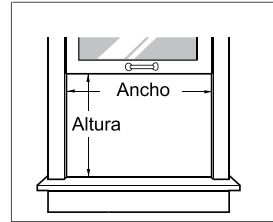
- * Lápiz



Requerimientos de Ventana

Tamaño

Este ventilador de casa está construido para ventanas estándar de dos alas con la extensión real de apertura de (se refieren a la tabla de abajo). El ala superior y el inferior de la ventana deben abrirse lo suficiente para producir un orificio vertical de desde el ala superior hasta el antepecho.



Modelo	Ancho (inches)	Altura Min (inches)
LW8016ER	22-36	13

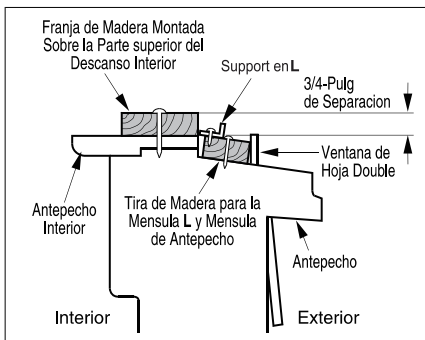


ADVERTENCIA : Este producto es un aparato de AIRE ACONDICIONADO PARA INSTALACIÓN EN VENTANAS. Como tal, se necesita una ventana de un cuelgue o de doble cuelgue para una instalación adecuada. No se recomiendan instalaciones en lugares que no sean ventanas, utilizando casquillos, orificios en las paredes ni cualquier otro tipo.

Espacio libre

El suficiente espacio libre aumenta la eficiencia de refrigeración de la unidad e impide la irradiación del calor del condensador.

1. Si la sobre-ventana estorba colóquese una tira de madera de 2 pulg de ancho a lo largo del descanso de la ventana por la parte que de internamente al cuarto, y en toda su extensión. La tira de madera debe ser lo suficientemente gruesa para elevar el descanso de la ventana, de tal manera que la unidad de aire acondicionado pueda ser instalada sin interferencia del marco de la sobre-ventana (storm window).
2. Ver Figura. B. La parte superior de la tira de madera debe estar aproximadamente a $\frac{3}{4}$ de pulg más alta que el marco de la sobre ventana, para ayudar a que el agua de condensación de la unidad fluya hacia afuera.
3. Instale una segunda tira de madera (aproximadamente 6 pulg. de largo, $\frac{11}{2}$ pulg de ancho y mismo espesor que la primeratira de madera) en el centro del descanso exterior, póngala contra la parte posterior del descanso interior. Esto elevará la ménsula L como en la Figura.

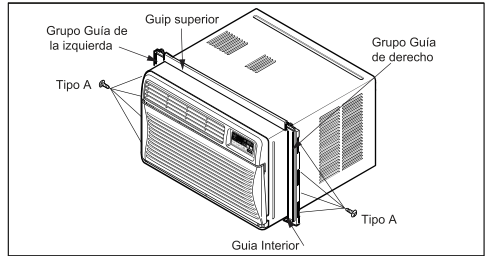


Figura

Preparación de la Carcasa

1. Introduzca los paneles (Tipo G) en los guías del aire acondicionado. Las cortinas atoríllelas con los tornillos (Tipo A).

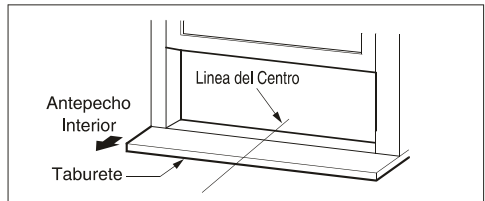
CONSEJO Use un atornillador largo. Así le será más fácil instalar los tornillos.



2. Corte el sello de la hoja de la ventana en la medida adecuada. Quite el recubrimiento del soporte y pegue el burlete de Espuma-PE (Adhesivo respaldado) a la cara inferior de la hoja de la ventana.

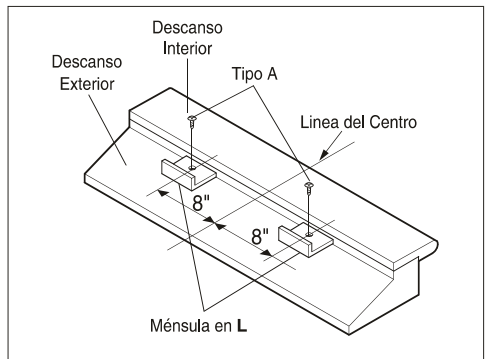


3. Abra la ventana y marque LINEA en el centro esta.



4. Coloque el Ménsula en L (Tipo D)

- 4-1. Instale los soportes L detrás de alféizar interno de la ventana, con el lado corto del soporte como está ilustrado. Utilice 2 tornillos (Tipo A) proveídos.
- 4-2. La ménsula ayuda a que la unidad se encuentre firme. Asegúrese de poner la ménsula en L contra la parte posterior del descanso interior.



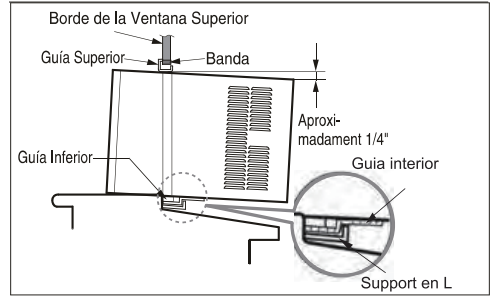
Instalación de la Unidad



Precaución: En las siguientes instrucciones, sostenga la unidad firmemente hasta que la parte corrediza de la ventana descansa sobre la parte superior del canal y por detrás del marco de los paneles corredizos. Puede haber lesiones o daños si la unidad se cae de la ventana.

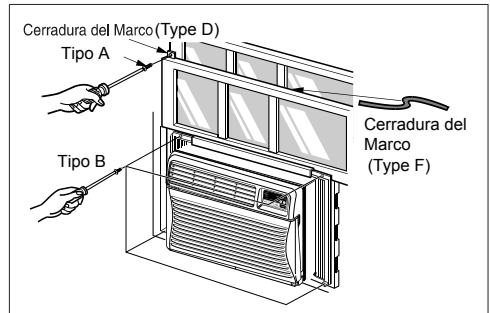
1. Instale el Aire Acondicionado a la Ventana

- 1-1. Coloque el acondicionador de aire en la ventana de modo que se encuentre centrado. Coloque el acondicionador de aire de modo que el extremo frontal del riel de montaje inferior se encuentre contra el extremo trasero del alfeizar.
- 1-2. Baje la ventana de modo que el extremo frontal del montaje superior se encuentre delante de la ventana. Asegurese de que el acondicionador de aire este nivelado o apenas inclinado hacia el exterior.



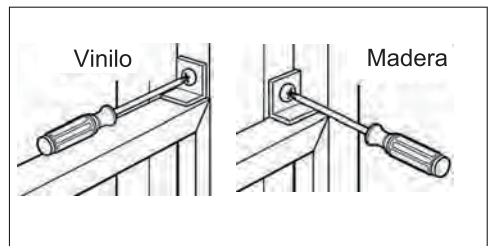
2. Asegure los Paneles (Tipo G)

Extienda los paneles para rellenar los orificios de la ventana usando los 4 tornillos (Tipo B).



3. Instale la Banda del Marco

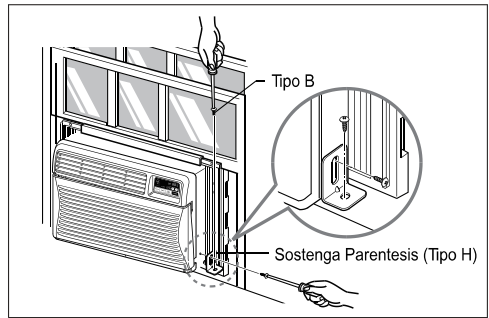
- 3-1. Corte la banda del marco (Tipo F) del mismo ancho de la ventana. Coloque la banda del marco entre el vidrio y la ventana para prevenir la penetración al cuarto de insectos y aire.
- 3-2. Atornille la cerradura del marco (Tipo D) usando un tornillo (Tipo A).



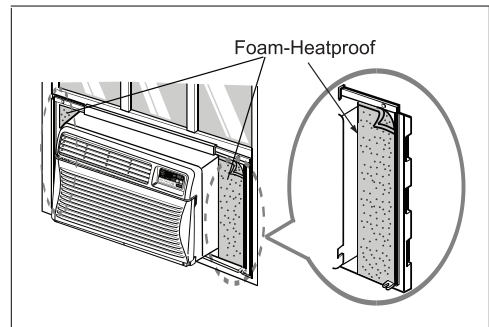
Precaución:

Para evitar la rotura de vidrios o danos a las venanas, sobre vinilo o ventanas construidas de manera similar, adjunte el soporte de bloqueo de la ventana a la jamba lateral de la jamba lateral de la ventana con un tornillo Tipo A.

- 3-3. Remueva el tornillo de la esquina inferior derecha del lado de la caja y reemplacelo a través del soporte de seguridad.
- 3-4. Amarre la escuadra de soporte (Tipo H) usando un tornillo que puede sacar del gabinete del aparato de aire acondicionado. Acople la escuadra (Tipo H) a la parte interior de la repisa de la ventana con un tornillo (Tipo B).



4. Corte el aislamiento de espuma con adhesivo en la parte trasera del tamaño del panel guía.
- Retire la protección del adhesivo del aislamiento de espuma y pegue el aislamiento en el panel guía.

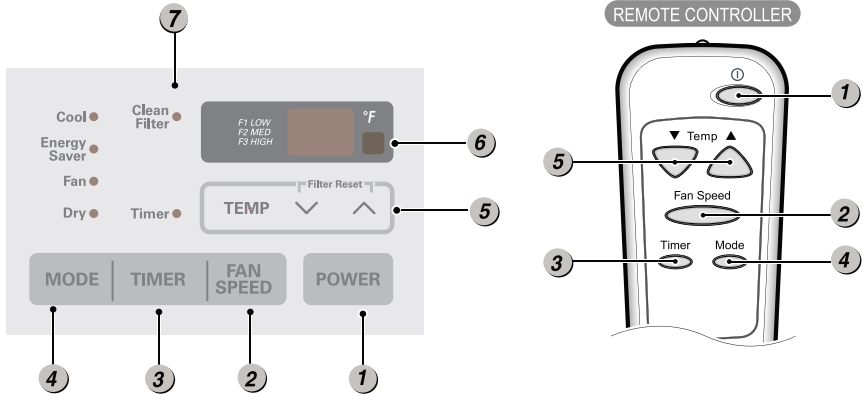


TSugerencia El aislamiento de espuma mejora la capacidad de enfriamiento de la unidad

5. La instalación del aire acondicionado de ventana no estará completa. Vea SEGURIDAD ELECTRICA para conectar la extensión eléctrica al toma corriente.

Instrucciones de Funcionamiento

Funcionamiento del control remoto



ESPAÑOL

1 POWER

El funcionamiento se inicia cuando se pulsa esta tecla y se detiene cuando se la presiona nuevamente.

2 SELECTOR DE VELOCIDAD DEL VENTILADOR

Usado para ajustar la velocidad del ventilador a **Low(F1), Med(F2), High(F3)**.

3 CRONÓMETRO ON/OFF

Encendido - Cuando el acondicionador de aire está apagado, puede ajustarse para que se encienda automáticamente dentro de 1 a 24 horas en el nivel previo.

Apagado - Cuando el acondicionador de aire está apagado, puede ajustarse para que se apague automáticamente dentro de 1 a 24 horas.

4 FUNCIONAMIENTO DEL MODO SELECTOR

- Pulse el botón MODE (Modo) para desplazarse entre Ahorro de Energía / Frío / Ventilador / Secar.

Energy Saver(Ahorro de Energía)- El ventilador se detiene cuando el compresor no sigue enfriando. Aproximadamente cada 3 minutos el ventilador se encenderá, y necesitará verificar la temperatura del cuarto para saber si es necesario más enfriamiento.

Cool(frío) - El compresor funciona y enfría la habitación. Use los botones TEMP/TIMER \wedge / \vee y FAN(ventilador) para configurar la temperatura deseada y la velocidad de circulación del ventilador.

FAN(ventilador) - El ventilador hace circular el aire pero el compresor no funciona. Utilice el botón FAN(ventilador) para configurar la velocidad deseada del ventilador.

DRY - El modo de secado se utiliza para eliminar la humedad de la sala sin añadir refrigeración adicional. Una vez se alcanza la temperatura, el compresor y el ventilador de circulación se apagan. La velocidad del ventilador está predefinida y no puede ajustarse.

5 CONTROL DE TEMPERATURA

El termostato monitorea la temperatura de la habitación para mantener la temperatura deseada. El termostato puede ser colocado entre 60°F~86°F(16°C~30°C).

6 SENSOR DEL CONTROL REMOTO

7 LIMPIEZA DEL FILTRO

El LED "Clean Filter" (Limpiar filtro) se iluminará para avisarle que hay que limpiar el filtro. Después de limpiar el filtro, pulse simultáneamente los botones "Temp^V" para apagar la luz "Clean Filter".
(El reinicio del filtro debe hacerse desde el panel de control de la unidad, no desde el mando a distancia).

CONSEJO

Esta funcionalidad es un recordatorio para limpiar el Filtro de Aire (Consulte Mantenimiento) para un funcionamiento más eficiente.

La luz LED se iluminará después de 250 horas de funcionamiento.

AUTO-ARRANQUE

En caso de fallo de la corriente eléctrica, la unidad funcionará como antes cuando vuelve la corriente.

AHORRADOR DE ENERGÍA

La unidad pasa de forma predeterminada al modo de Ahorro de Energía cada vez que la unidad se enciende, excepto al restaurarse después de una falla de la energía eléctrica.



PRECAUCIÓN: El mando a distancia no funcionará correctamente si una luz fuerte hace contacto con el sensor del aire acondicionado o si hay obstáculos entre el mando a distancia y el aire acondicionado.

Insertar las batería del control remoto

1. Empuje hacia afuera con su pulgar la cubierta en la parte posterior del control remoto.
2. Preste atención a la polaridad e inserte dos nuevas batería AAA 1,5V .
3. Vuelva a colocar la cubierta



CONSEJO

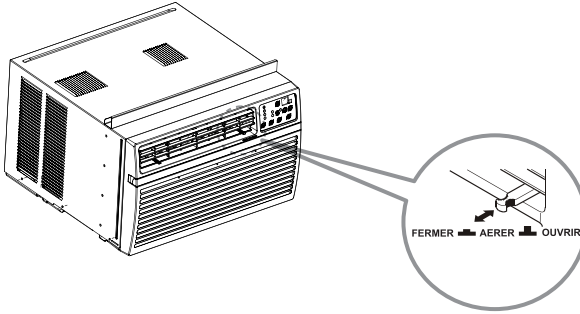
No use batería recargables. Asegúrese que ambas batería sean nuevas. No mezcle las pilas alcalinas, estándares(Carbon-zinc) o recargables(Niquel-cadmium).

- Para evitar que se descarguen, quite las batería del control remoto si el acondicionador de aire no va a ser usado por un período largo de tiempo. Mantenga el control remoto lejos de los lugares húmedos o extremadamente calientes. Para mantener el funcionamiento óptimo del control remoto, el sensor remoto no debe exponerse a la luz solar directa.



Control de ventilación

El control de ventilación está localizado encima de los paneles de control. Cuando está ajustado en CLOSE(CERRADO), solamente el aire en el interior de la habitación circulará y se acondicionara. Cuando está ajustado en open (ABIERTO), un poco del aire interno es expelido hacia afuera.



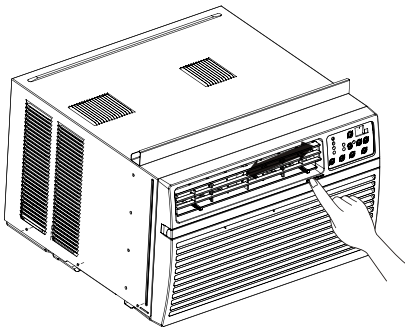
ESPAÑOL

Dirección del aire

El flujo de aire puede ser ajustado cambiando la dirección de las rejillas de ventilación del acondicionador de aire.

Ajustar el flujo de aire horizontal

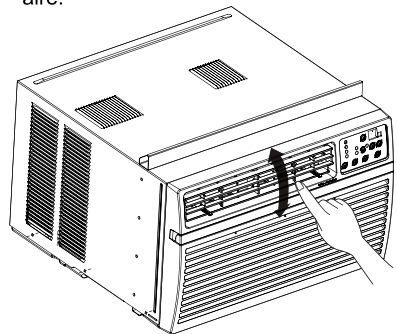
La dirección horizontal del aire es ajustada moviendo la palanca hacia la derecha o izquierda.



Ajustar el flujo de aire horizontal

Ajustar el flujo de aire vertical

Una presión sencilla con los dedos en las parrillas vertical ajustará la dirección del aire.



Ajustar el flujo de aire vertical

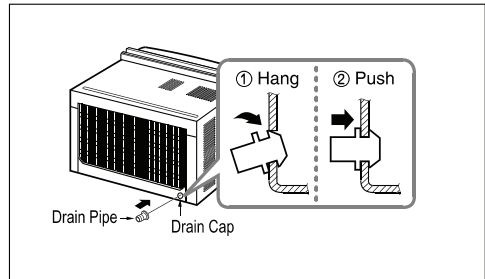
CONSEJO

Cuando la unidad opera en clima extremadamente caliente, se apaga automáticamente para proteger el compresor.

Adicionales e Características

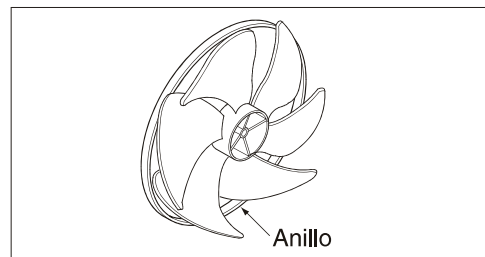
Tubo de Desagüe

En climas húmedos, es posible que la Bandeja Evaporadora se llene de agua. Para quitar el agua acumulado, es preciso conectar el tubo de desagüe. Quite la Tapa del Desagüe y conecte el Tubo a la Bandeja Evaporadora.



Ventilador de extracción

Este aparato de aire acondicionado va equipado con un ventilador de extracción. (Véase la ilustración de abajo). El ventilador tiene un anillo externo que gira en el agua que recoge en la plancha base al entrar en profundidad. La condensación la recoge el ventilador y la expulsa a través del condensador, haciendo más eficiente al aparato de aire acondicionado.

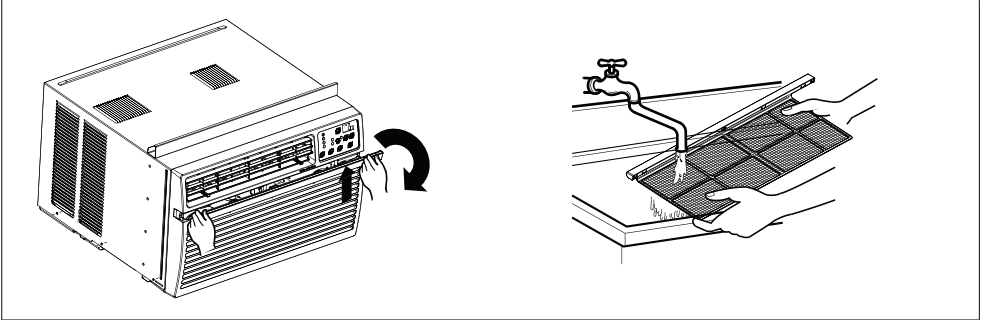


PRECAUCIÓN: Tenga cuidado al insertar el tubo de drenaje. Aléjalo de la area aguda para evitar el deslice y lesiones por usted mismo.

Mantenimiento y servicio

Filtro de Aire

Revise por lo menos dos veces al mes si no es necesario limpiar el filtro de aire. Las partículas detenidad se pueden acumular en el filtro impidiendo el flujo del aire, limitando el rendimiento de enfriamiento y causando la acumulación de hielo en el evaporador. Proceder de la limpieza del filtro de aire:



1. Quite el filtro de aire de la rejilla frontal tirando de él hacia delante y hacia arriba ligeramente.
2. Lave el filtro con agua tibia de temperatura menor de 40°C (104°F).
3. Escorra ligeramente el agua sobrante del filtro y vuelva a instalarlo.

Limpieza del Aire Acondicionado

La parrilla frontal puede ser limpiada con un trapo húmedo mojado en un detergente suave. El gabinete puede ser lavado con jabón suave o detergente y agua tibia, entonces pulido Cera Liquida para aparatos.

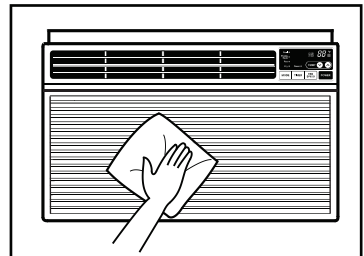
Para asegurarse una eficiencia continua,

las bobinas del condensador (del lado expuesto al exterior) debe ser revisado y lavado periódicamente sea por que se tranque con basura o polvo de la atmosférico.

Removerlo de la Ventana

Apague el aire acondicionado, desconecte el cordón eléctrico del toma corriente, remueva la cerradura del marco y los tornillos instalados en la parte superior e inferior de los paneles, y guárdelos para reinstalación. Cierre los paneles. Manteniendo el aire acondicionado fuertemente, levante el marco de la ventana, y cuidadosamente, incline el aire acondicionado hacia atrás, botando cualquier agua condensada. Deslice el aire acondicionado 1" a la derecha, luego levántelo de la ventana y remuévale la banda del marco de la ventana.

Asegúrese de drenar TODO el condensado del aparato de aire acondicionado. Si no lo hace, podría salirse mientras transporta el aparato, ensuciando, con el consiguiente peligro de resbalones. Este simple paso le ahorrará tiempo de limpieza y hará de su lugar un entorno más seguro.



Problemas y Soluciones habituales

Antes de Llamar el Servicio de Asistencia Técnica

Si tiene problemas con su ventilador, lea las informaciones siguientes y trate de resolver el problema. Si no puede encontrar la solución, desconecte el ventilador y diríjase a 1-800-243-0000.

El ventilador no funciona

1. Compruebe que el ventilador esté conectado en un enchufe correcto.
2. Revise el fusible.
3. Compruebe que la tensión no sea demasiado alta o baja.

Al ajustarse el enfriamiento, el aire no parece frío lo suficiente

1. Revise si los ajustes de la temperatura son correctos
2. Revise si el filtro de aire no está atascado de polvo. En el caso de que sí, cambie el filtro.
3. Compruebe que afuera no haya un obstáculo del flujo de aire y si entre la parte trasera del ventilador y la pared o la barrera haya espacio libre de por lo menos 1 metro (20").
4. Cierre todas las puertas y ventanas y compruebe que no haya una fuente de calor en la habitación.

Ve gotear agua de la parte posterior de la unidad

Ve gotear agua de la parte posterior de la unidad. El agua puede ser recogida en la bandeja de base en condiciones de mucha humedad o días de lluvia. Esta agua desborda y gotea desde la parte posterior de la unidad.

Sonidos normales

Traqueteo agudo

Los compresores modernos de alto rendimiento pueden presentar un traqueteo agudo durante el ciclo de enfriado.

Sonido de ráfagas de aire

Delante de la unidad, puede oír el sonido de ráfagas de aire que son movidas por el ventilador.

Goteo o chapoteo

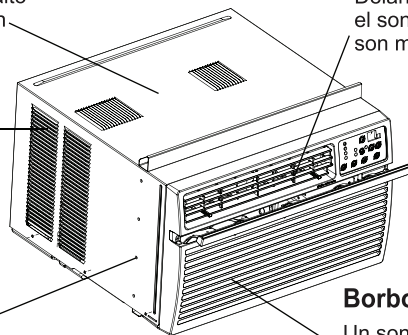
Las gotas de agua que caen sobre el condensador durante la normal operación del producto pueden producir sonidos de "goteo o chapoteo". (Consulte la sección del Ventilador de extracción en la página 42.)

Vibración

La unidad puede vibrar y hacer ruido debido a una estructura débil de la pared o la ventana, o a una instalación incorrecta.

Borboteo/Siseo

Un sonido parecido a un "borboteo o siseo" puede escucharse debido al refrigerante pasando a través del evaporador durante una normal operación.



Resolución de problemas

El acondicionador de aire puede estar funcionando anormalmente cuando:

Problema	Causas posibles	Qué hacer
El aire acondicionado no enciende	El aire acondicionado está desconectado.	Asegúrese que el aire acondicionado está conectado completamente a la fuente de energía.
	El fusible está quemado/el interruptor de energía se ha bloqueado.	Cheque los fusibles/interruptor de la casa y reemplace los fusibles o reestablezca el interruptor de energía.
	Falta de energía.	Cuando la energía se reestablezca, espere 3 minutos para encender de nuevo el aire acondicionado. Con esto evítara que se produzca una sobrecarga en el compresor.
	El dispositivo interruptor de corriente está desconectado.	Presione el botón RESET situado en el enchufe del cable de alimentación. Si el botón RESET no permanece activo, suspenda el uso del aire acondicionado y pongase en contacto con un técnico de servicio cualificado.
El aire acondicionado no enfría como debería	El flujo de aire está restringido.	Asegúrese que no haya cortinas, persianas o muebles bloqueando el frente del aire acondicionado.
	Coloque el control de TEMPERATURA en un número más alto.	Ajustar el control de temperatura a un número más bajo.
	El filtro de aire está sucio.	Limpie el filtro por lo menos cada dos semanas. Vea la sección de instrucciones de operación.
	El cuarto aún está caliente.	Cuando usted enciende el aire acondicionado debe esperar un momento para que la habitación se enfrente.
	El aire frío se está escapando.	Asegúrese que todas las salidas de aire estén cerradas para que el aire regrese.
	El serpentín de refrigeración se ha congelado.	Establezca una temperatura más alta.
El aire acondicionado enfría demasiado	El hielo bloquea el flujo de aire y detiene el enfriamiento del cuarto.	Elija el modo alto del ventilador High Fan o enfriado alto High Cool .
Hay goteo de agua en la parte externa	Clima caliente y húmedo.	Esto es normal.
Hay goteo de agua en la parte interna	El acondicionador de aire no está inclinado hacia el exterior.	Para una salida correcta del agua, asegúrese de que el acondicionador de aire se incline levemente desde la parte frontal hasta la parte trasera de la caja.
Se acumula agua en la bandeja	Se elimina la humedad del aire y se drena en la bandeja.	Esto es normal durante un período corto en áreas con poca humedad; es normal durante un período más largo en áreas muy húmedas.
El aparato de aire acondicionado se enciende y apaga rápidamente.	Filtro de aire sucio - flujo de aire restringido.	Limpie el filtro.
	La temperatura exterior es extremadamente cálida.	Establezca el ventilador en una velocidad más alta para conseguir que el aire circule más rápidamente por el circuito refrigerador.
Se escuchan ruidos cuando el equipo está operando.	Suena el movimiento del aire.	Esto es normal. Si está muy fuerte, ajuste el FAN (ventilador) a una velocidad más baja.
	Vibración de la ventana - instalación defectuosa.	Consulte las instrucciones de montaje o al instalador.
El sensor remoto se desactiva de manera prematura	El control remoto no está en el rango de alcance.	Ubique el control remoto dentro de un rango de 20 pies y en un ángulo de 120° desde el frontal de la unidad.
	La señal del control remoto está obstruida.	Remueva la obstrucción.
Estancia demasiado fría.	La temperatura está demasiado baja.	Seleccione una temperatura más alta.

* Usted puede referirse al Energy Star programa con todo detalle en www.energystar.gov.

* Si aparece "CH" en la pantalla, por favor llame al 1-800-243-0000.

LG ROOM AIR CONDITIONER LIMITED WARRANTY - USA

WHAT THIS WARRANTY COVERS:

LG Electronics U.S.A., Inc. ("LG") warrants your LG Room Air Conditioner ("product") against defect in materials or workmanship under normal household use, during the warranty period set forth below, LG will, at its option, repair or replace the product. This limited warranty is valid only to the original retail purchaser of the product, is not assignable or transferrable to any subsequent purchaser or user, and applies only when the product is purchased through an LG authorized dealer or distributor and used within the United States ("U.S.") including U.S. Territories.

Note: Replacement products and repair parts may be new or factory-remanufactured and are warranted for the remaining portion of the original unit's warranty period or ninety (90) days, whichever is longer. Please retain dated receipt or delivery ticket as evidence of the Date of Purchase for proof of warranty (you may be required to submit a copy to LG or authorized representative).

WARRANTY PERIOD:

1 years from the Date of Purchase: **Any internal/ functional Parts and Labor.**

HOW SERVICE IS HANDLED: In-Home Service

In-home service will be provided during the warranty period subject to availability within the United States. In-home service may not be available in all areas. To receive in-home service, the product must be unobstructed and accessible to service personnel. If during in-home service repair cannot be completed, it may be necessary to remove, repair and return the product. If in-home service is unavailable, LG may elect, at our option, to provide for transportation of our choice to and from a LG authorized service center.

THIS LIMITED WARRANTY DOES NOT COVER:

1. Service trips to deliver, pick up, or install the product or for instruction on product use.
2. Replacing house fuses or resetting of circuit breakers, correction of house wiring or plumbing, or correction of product installation.
3. Damage or failure caused by leaky/ broken/ frozen water pipes, restricted drain lines, inadequate or interrupted water supply or inadequate supply of air.
4. Damage or failure caused by accidents, pests and vermin, lightning, wind, fire, floods or acts of God.
5. Damage or failure resulting from misuse, abuse, improper installation, repair or maintenance. Improper repair includes use of parts not approved or specified by LG.
6. Damage or failure caused by unauthorized modification or alteration to the product.
7. Damage or failure caused by incorrect electrical current, voltage, or plumbing codes.
8. Cosmetic damage, including scratches, dents, chips or other damage to the finish of the product, unless such damage results from defects in materials or workmanship and is reported to LG within seven (7) calendar days from the date of delivery.
9. Damage or missing items to any display, open box, discounted, or refurbished product.
10. Product where the original factory serial numbers have been removed, defaced or changed in any way.
11. Repairs when product is used in other than normal and usual household use (e.g. rental, commercial use, offices, or recreational facilities) or contrary to the instructions outlined in the owner's manual.
12. The removal and reinstallation of the Product if it is installed in an inaccessible location.

THIS WARRANTY IS IN LIEU OF ANY OTHER WARRANTY, EXPRESS OR IMPLIED, INCLUDING AND WITHOUT LIMITATION TO, ANY WARRANTY OF MERCHANTABILITY OR FITNESS FOR A PARTICULAR PURPOSE. TO THE EXTENT ANY IMPLIED WARRANTY IS REQUIRED BY LAW, THIS WARRANTY IS LIMITED IN DURATION TO THE TERM PERIOD EXPRESSED ABOVE. REPAIR OR REPLACEMENT AS PROVIDED UNDER THIS WARRANTY IS THE EXCLUSIVE REMEDY FOR THE CUSTOMER. NEITHER THE MANUFACTURER NOR ITS U.S. DISTRIBUTOR SHALL BE LIABLE FOR ANY INCIDENTAL, CONSEQUENTIAL, INDIRECT, SPECIAL, OR PUNITIVE DAMAGES OF ANY NATURE, INCLUDING AND WITHOUT LIMITATION TO, LOST REVENUES OR PROFITS, OR ANY OTHER DAMAGE, WHETHER BASED IN CONTRACT, TORT, OR OTHERWISE.

SOME STATES DO NOT ALLOW THE EXCLUSION OR LIMITATION OF INCIDENTAL OR CONSEQUENTIAL DAMAGES OR LIMITATIONS ON HOW LONG AN IMPLIED WARRANTY LASTS, SO THE ABOVE EXCLUSION OR LIMITATION MAY NOT APPLY TO YOU. THIS WARRANTY GIVES YOU SPECIFIC LEGAL RIGHTS AND YOU MAY ALSO HAVE OTHER RIGHTS THAT VARY FROM STATE TO STATE.

HOW TO OBTAIN WARRANTY SERVICE & ADDITIONAL INFORMATION:

Call 1-800-243-0000 or visit our website at www.lg.com.

Mail to: LG Customer Information Center (ATTN: CIC)
201 James Record Road, Huntsville, AL 35824

GARANTÍA LIMITADA DEL AIRE ACONDICIONADO LG - EE.UU.

COBERTURA DE LA GARANTÍA:

LG Electronics Inc. ("LG") garantiza que reparará o sustituirá, gratuitamente, su producto si resulta defectuoso en materiales o mano de obra bajo condiciones normales de uso durante el periodo de garantía mencionado más abajo, efectivo a partir de la fecha de compra del producto original por parte del consumidor. Esta garantía limitada sólo es válida para el comprador original del producto y no es asignable ni transferible a ningún otro comprador o usuario final subsecuentes, y efectiva únicamente cuando el producto se compra a través de un distribuidor autorizado de LG y se utiliza en los Estados Unidos ("EE UU") o en cualquiera de sus territorios.

Nota: Los recambios y piezas de repuesto pueden ser nuevos o estar reconstruidos de fábrica y están garantizados durante el tiempo restante del periodo de garantía de la unidad original o noventa días (90), el periodo de los dos que sea más largo. Por favor, guarde el recibo de compra o la nota de entrega como prueba de la fecha de compra como comprobante de garantía (se le puede pedir que presente una copia a LG o a su representante autorizado).

PERIODO DE GARANTÍA:

1 años desde la fecha de compra: **Cualquier repuesto interno/funcional y mano de obra**

PROCESO DE SERVICIO: Servicio a domicilio

Los servicios a domicilio se prestarán durante el periodo de garantía sujeto a disponibilidad en los Estados Unidos. El servicio a domicilio puede no estar disponible en todas las áreas. Para recibir asistencia técnica a domicilio, el producto debe estar en un entorno despejado y accesible al personal técnico. Si durante el servicio a domicilio la reparación no se puede llevar a cabo, es posible que sea necesario desplazarlo a nuestras instalaciones, repararlo y devolverlo a su hogar. Si este fuera el caso, LG puede optar, a petición nuestra, a utilizar el transporte de nuestra elección para desplazar la unidad al y del centro de servicio autorizado de LG.

ESTA GARANTÍA LIMITADA NO SE APLICA A:

1. Las visitas de Asistencia a domicilio para entregar, recoger y/o instalar el producto, instruir o sustituir fusibles.
2. Sustitución de fusibles de la casa o reajuste de interruptores de circuito, la corrección del cableado de la casa o de la tubería, o la corrección de la instalación del producto.
3. Los daños o averías causados por fugas / roturas/ congelación de tuberías de agua, líneas de drenaje restringido, suministro insuficiente de agua o interrumpido, o suministro insuficiente de aire.
4. Los daños o averías causados por accidentes, plagas e insectos, rayos, viento, fuego, inundaciones o actos de Dios.
5. Los daños o fallos ocasionados por el mal uso, abuso, instalación inadecuada, reparación o mantenimiento. Se considera reparación inadecuada aquella en que se hayan utilizado piezas no aprobadas o especificadas por LG.
6. Los daños o averías causados por modificaciones no autorizadas o alteraciones del producto.
7. Los daños o averías causados por la utilización de una corriente eléctrica, tensión o código de plomería incorrectos.
8. Daños estéticos, incluyendo arañazos, abolladuras, desportilladuras u otros daños en el acabado del producto, a menos que dichos daños sean el resultado de defectos en los materiales o mano de obra y se informe a LG en el plazo de siete días naturales (7) a partir de la fecha de entrega.
9. Los daños o la pérdida de componentes de cualquier producto cuya caja haya sido abierta, haya sido objeto de un descuento o se haya restaurado.
10. Los productos cuyos números de serie de fábrica originales hayan sido quitados, borrados o cambiados de ninguna manera.
11. Las reparaciones cuando el producto se utiliza para cualquier cosa fuera de lo normal y del uso doméstico habitual (por ejemplo su alquiler, uso comercial, en oficinas o en instalaciones de ocio) o en contra de la instrucciones que se indican en el manual del propietario.
12. La extracción y reinstalación del producto si está instalado en un lugar inaccesible.

ESTA GARANTÍA SE OTORGA EN SUSTITUCIÓN O EXCLUSIÓN DE TODA OTRA GARANTÍA, EXPRESA O IMPLÍCITA, INCLUYENDO SIN LIMITAR CUALQUIER GARANTÍA DE CALIDAD O IDONEIDAD CON UN PROPÓSITO CONCRETO. EN LA MEDIDA EN QUE CUALQUIER GARANTÍA IMPLÍCITA ES OBLIGADA POR LA LEY, ESTÁ LIMITADA EN DURACIÓN AL PERIODO DE GARANTÍA YA MENCIONADO. LA REPARACIÓN O REEMPLAZO DE PIEZAS, SEGÚN LO ESTABLECIDO EN ESTA GARANTÍA, ES EL ÚNICO QUE PUEDE RECLAMAR EL CLIENTE. NI EL FABRICANTE NI SU DISTRIBUIDOR EN LOS EE.UU. SE HACE RESPONSABLE DE CUALQUIER DAÑO (DERIVADO, INDIRECTO, ESPECIAL O PENAL) DE CUALQUIER NATURALEZA, INCLUYENDO, SIN LIMITACION, LA PÉRDIDA DE INGRESOS O BENEFICIOS O CUALQUIER OTRO TIPO DE DAÑO, AÚN BASADO EN UN CONTRATO, SEA UN AGRAVIO O DE CUALQUIER OTRA MANERA.

ALGUNOS ESTADOS NO PERMITEN LA EXCLUSIÓN O LIMITACIÓN DE DAÑOS IMPREVISTOS O RESULTANTES, O LIMITACIONES A LA DURACIÓN DE LAS GARANTÍAS IMPLÍCITAS, POR LO QUE LA EXCLUSIÓN O LIMITACIÓN MENCIONADA ANTERIORMENTE NO SERÁ APLICABLE AL USUARIO. ESTA GARANTÍA LE OTORGA DERECHOS LEGALES ESPECÍFICOS Y TAMBIÉN PUEDE TENER OTROS QUE VARIARÁN DE UN ESTADO A OTRO.

COMO OBTENER EL SERVICIO DE ESTA GARANTÍA E INFORMACIÓN ADICIONAL:

Llame al 1-800-243-0000 o visite nuestra página web: www.lg.com.

Dirección de correo ordinario: LG Customer Information Center (ATTN: CIC)
201 James Record Road, Huntsville, AL 35824



LG ELECTRONICS, INC.
1000 Sylvan Ave., Englewood Cliffs, NJ 07632

LG Customer Information Center

1-800-243-0000

Register your product Online!

www.lg.com